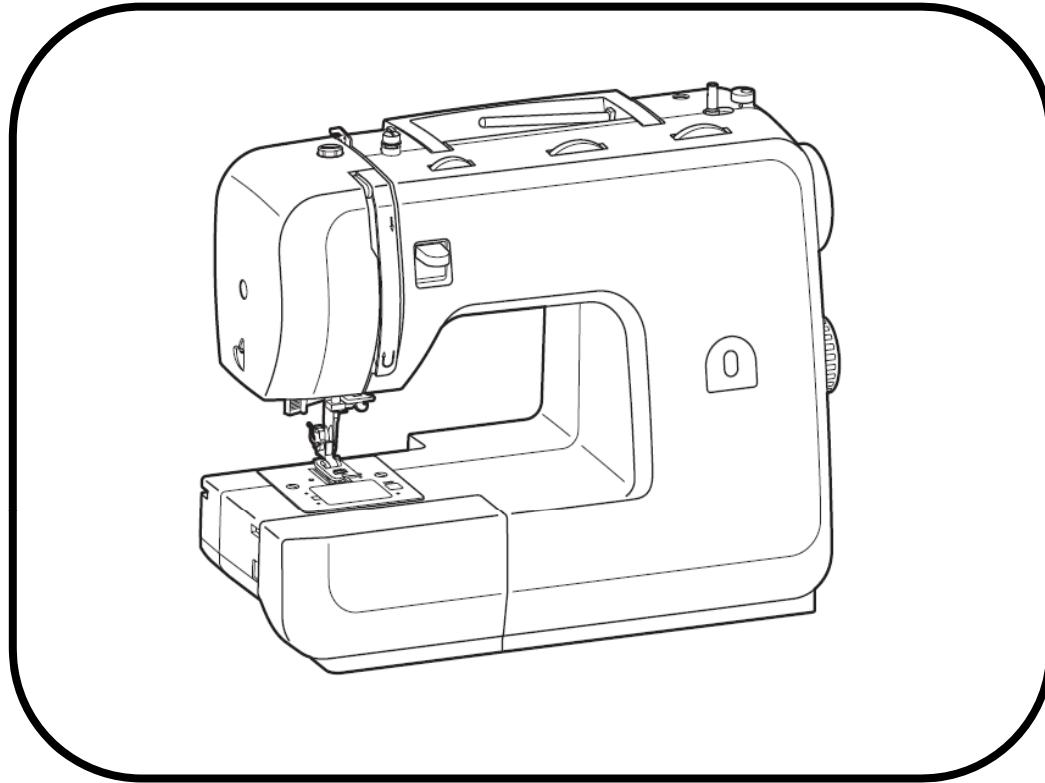


PARTS LIST



NECCHI

MODEL ZAKKA N130/N150B/N160

~ LIST OF CONTENTS ~

A. ARM SHAFT, THREAD TAKE UP LEVER

B. PATTERN CAM CONTACT

C. BH LEVER PLATE, BH SELECTOR PLATE, FEED REGULATOR DIAL SHAFT

D. NEEDLE BAR SUPPORTER, PRESSER BAR

E. FEED REGULATING, FEED ROCK SHAFT, BELT ADJUSTING PLATE

F. LOWER SHAFT, ROTARY HOOK

G. ZIGZAG REGULATOR, BOBBIN WINDER, CLUTCH ROD, REVERSE LEVER

H. MOTOR & LAMP HOLDER

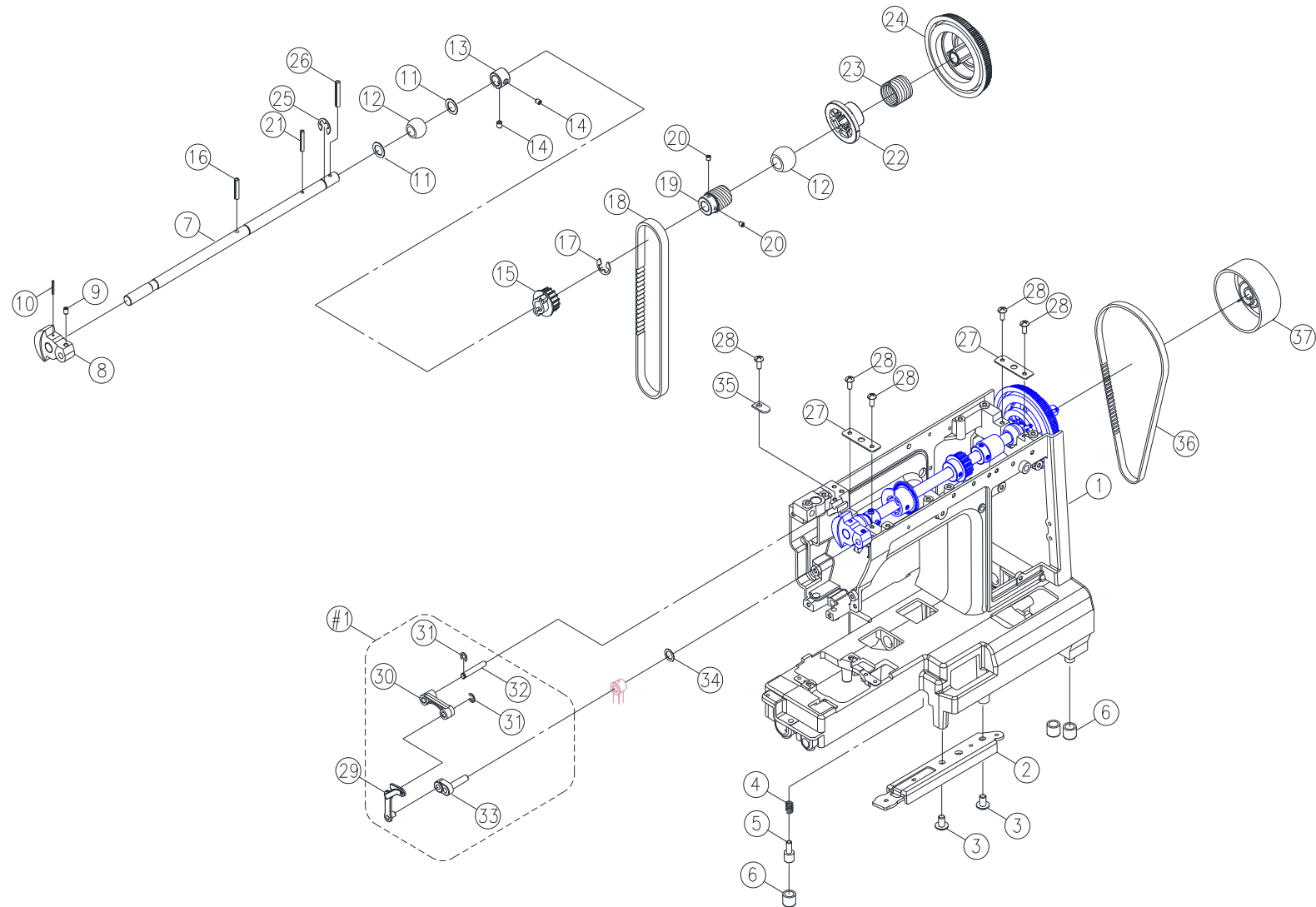
I. DIAL TENSION, ROTARY HOOK PLATE, NEEDLE PLATE

J. FRONT COVER, BACK COVER

K. FACE PLATE, FREE ARM FOOT BASE, BED COVER, SEWING TABLE

L. ACCESSORIES

A. ARM SHAFT, THREAD TAKE UP LEVER



A. ARM SHAFT, THREAD TAKE UP LEVER

NO.	ITEM NO.	NAME	REMARK
1	Q6A0013000	ARM	
2	K6A1313006	FREE ARM FOOT	
3	004260056	SET SCREW(M6×10)	
4	K82073003	SPRING	
5	K82133006	ADJUSTMENT SCREW	
6	K6A0063002	FREE ARM BASE CUSHION	
7	Q6B0643000	ARM SHAFT	
8	H1A0473000	ARM SHAFT BALANCE	
9	004240223	SET SCREW(M4×6 C)	
10	003043524	ARM SHAFT BALANCE PIN(φ3.5×24)	
11	004400080	ENDURE ATTRITION WASHER(φ10.2×φ15×0.5)	
12	R10293000	ARM SHAFT BUSING	
13	M1A0623003	ARM SHAFT COLLAR	
14	004240033	SET SCREW(M4×5 C)	
15	H1A0403000	ARM SHAFT SPROCKET	
16	003043018	SPRING PIN(φ3×18)	
17	003010093	E-RING(ETW-9)	
18	0074200001	BELT	
19	K6A0053000	ARM SHAFT WORM	
20	004240503	SET SCREW(M4×4 C)	
21	003043028	SPRING PIN(φ3×28)	
22	D5A0583000	CLUTCH SLEEVE	
23	D5A0573003	ARM SHAFT CLUTCH ANNULUS SPRING	
24	H1A0103000	ARM SHAFT DRIVER BELT PULLEY	
25	003010082	E-RING(ETW-8)	
26	003043030	SPRING PIN(φ3×30)	
27	V60113003	ARM SHAFT BUSHING HOLDER PLATE	
28	004240106	SET SCREW(M4×8 A)	
29	Q6A0465000	THREAD TAKE UP LEVER	
30	E1A2653000	THREAD TAKE UP LEVER SUPPORTER	
31	003010036	E-RING(ETW-3)	
32	V60223003	THREAD TAKE UP LEVER SUPPORTER SHAFT	

PREFISSO "ZS"

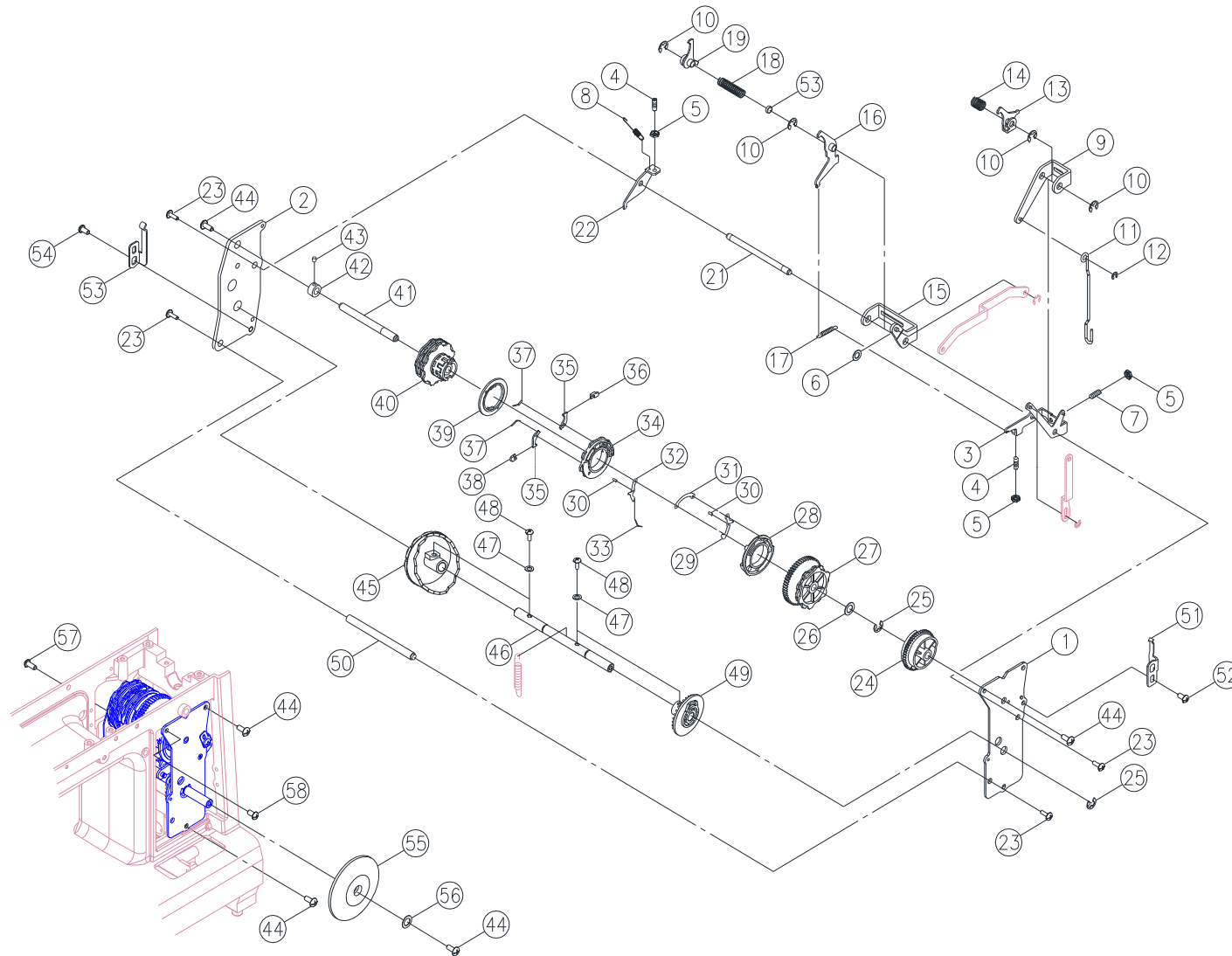
NO.	ITEM NO.	NAME	REMARK
33	Q6A0443000	ARM SHAFT BALANCE PIN COMPLETE	
34	0044000020	ENDURE ATTRITION WASHER(φ6.2×φ12×0.25)	
35	H13093003	SET WASHER	
36	00750602M5	BELT	
37	Q6B0493210	HAND WHEEL	
#1	Q6A0444000	THREAD TAKE UP LEVER COMPLETE	

PREFISSO "ZS"

PREFISSO "ZS"

PREFISSO "ZS"

B. PATTERN CAM CONTACT

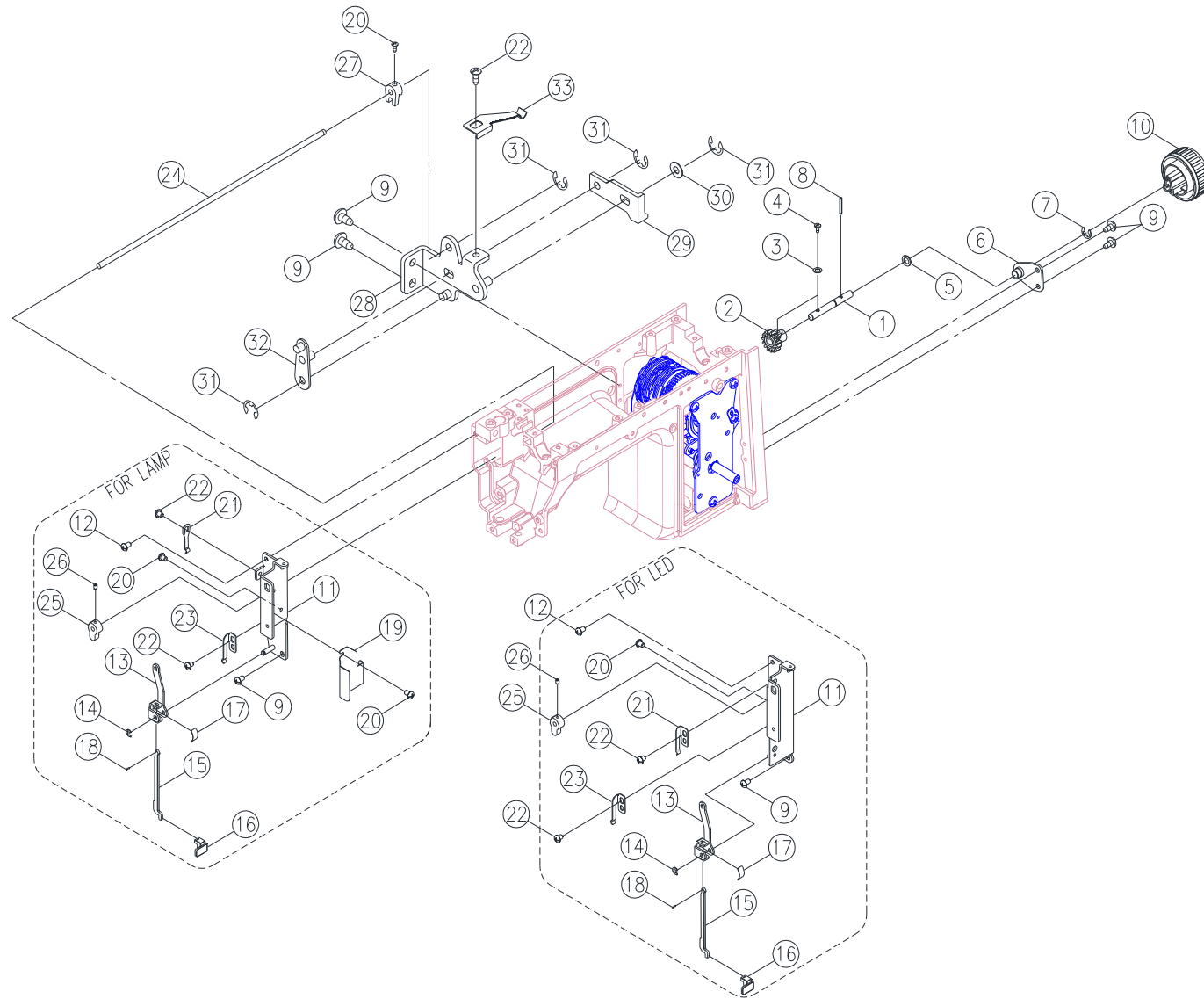


B. PATTERN CAM CONTACT

NO.	ITEM NO.	NAME	REMARK
1	Q6A0193003	PATTERN CAM CONTACT PLATE(FRONT)	
2	K6A0223003	PATTERN CAM CONTACT PLATE(BACK)	
3	K6A0463003	BH ADJUSTING CRANK	
4	004241093	SET SCREW(M4×0.7 L9)	
5	004840106	NUT(ALN-4)	
6	004300813	WASHER(φ6.6×φ14×1)	
7	004240633	SET SCREW (M4×0.7 L12)	
8	K6A0883003	ZIGZAG RELEASE PLATE SPRING	
9	Q6A0215003	SS CAM CONTACT SUPPORTER COMPLETE	
10	003010056	E-RING(ETW-5)	
11	Q6A0473003	FEED ROCK SHAFT	
12	003010036	E-RING(ETW-3)	
13	K6A0443003	SS CAM CONTACT	
14	V60773003	SS CAM CONTACT SPRING	
15	Q4A0033003	ZIGZAG CAM CONTACT SUPPORTER	FOR ZAKKA N130
	Q6A0203003	ZIGZAG CAM CONTACT SUPPORTER	FOR N150B/N160
16	K6A0473003	BH FEED CRANK	
17	E1A0973003	BH FEED CRANK SPRING	
18	K6B0053006	SPRING PEDESTAL	
19	K6A0373003	ZIGZAG CAM CONTACT SPRING	
20	K6A0403003	ZIGZAG CAM CONTACT	
21	K6A0383000	ZIGZAG CAM CONTACT SUPPORTER SHAFT	
22	K6A0423003	ZIGZAG RELEASE PLATE	
23	004230286	SET SCREW(M3×8 B)	
24	K6A0243000	FEED REGULATOR CAM	
25	003010063	E-RING(ETW-6)	
26	004300863	WASHER(φ8.2×φ14×0.5)	FOR ZAKKA N130
	004300226	WASHER(φ8.2×φ16×1.0)	FOR N150B/N160
27	K6A0253000	SS CAM	
28	K6A0273000	BH FEED REGULATOR CAM	
29	K6A0283002	BH CLUTCH CONTACT A	
30	E1A0733000	BH CLUTCH SHAFT	

NO.	ITEM NO.	NAME	REMARK
31	K6A0303002	BH CLUTCH LEVER	
32	K6A0293002	BH CLUTCH CONTACT B	
33	E1A0773003	BH CLUTCH SPRING PLATE	
34	K6A0323000	BH CAM	
35	K6A0333002	BH CONTACT	
36	K6A0353000	BH SLIDE BLOCK R	
37	K6A0363000	BH CONTACT SPRING PLATE	
38	K6A0343000	BH SLIDE BLOCK L	
39	K6A0313000	STRAIGHT STITCH CAM	
40	K6A0263000	PATTERN CAM	
41	K6A0233003	PATTERN CAM SHAFT	
42	H11943003	PATTERN CAM SHAFT COLLAR	
43	004240503	SET SCREW(M4×4 C)	
44	004240106	SET SCREW(M4×8 A)	
45	Q4A0043000	PATTERN SELECTOR CAM	FOR ZAKKA N130
	K6A0493000	PATTERN SELECTOR CAM	FOR N150B/N160
46	Q6B0633003	PATTERN SELECTOR CAM SHAFT	
47	004300076	WASHER(φ4.2×φ9×0.5)	
48	004240396	SET SCREW(M4×10)	
49	P3A0893000	BH PATTERN SELECTOR CAM	
50	Q6A0243003	PATTERN CAM CONTACT SUPPORTER SHAFT	
51	K6A0543003	FEED REGULATOR FIX PLATE	
52	004240012	SET SCREW(M4×4 B)	
53	P3A0883003	PATTERN FIX SPRING PLATE	
54	004240676	SET SCREW(M4×5 B)	
55	Q3BD063210	PATTERN DISPLAY PULLEY	FOR ZAKKA N130
	Q5BD093210	PATTERN DISPLAY PULLEY	FOR N150B
	Q6BD203210	PATTERN DISPLAY PULLEY	FOR N160
56	004600026	SPRING WASHER(φ4.2×φ7.2×1.2)	
57	004240046	SET SCREW(M4×10 B)	
58	004240066	SET SCREW(M4×8 B)	

C. BH LEVER PLATE, BH SELECTOR PLATE, FEED REGULATOR DIAL SHAFT

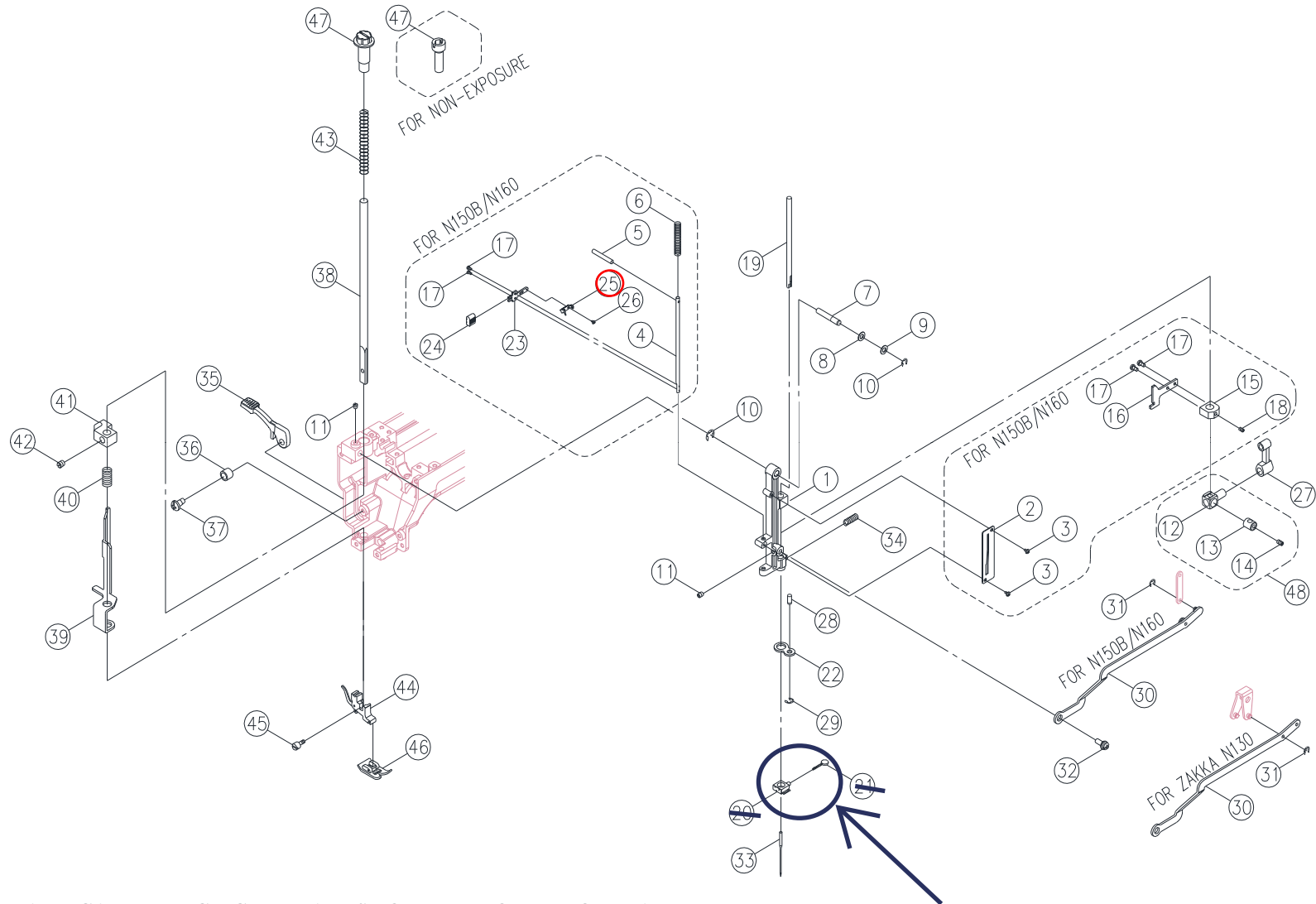


C. BH LEVER PLATE, BH SELECTOR PLATE, FEED REGULATOR DIAL SHAFT

NO.	ITEM NO.	NAME	REMARK
1	Q6B0613003	PATTERN SELECTOR CAM SHAFT	
2	K6A1023000	PATTERN GEAR	
3	004300676	WASHER($\phi 3.2 \times \phi 8 \times 0.8$)	
4	004230286	SET SCREW(M3×8 B)	
5	004300633	WASHER($\phi 6.2 \times \phi 10.5 \times 1$)	
6	Q6B0603003	PATTERN SELECTOR PLATE	
7	003010053	E-RING(ETW-5)	
8	003042516	SPRING PIN($\phi 2.5 \times 16$)	
9	004240056	SET SCREW(M4×6 B)	
10	Q6B0273210	SELECTOR DIAL	
11	Q6B0143006	BH LEVER PLATE	
12	004240106	SET SCREW(M4×8 A)	
13	K6A0923003	BH LEVER CRANK	
14	003010033	E-RING(ETW-3)	
15	K6A0943002	BH LEVER	
16	H1GA093210	BH LEVER BUTTON	
17	K6A0933000	BH LEVER SPRING PLATE	
18	003041605	SPRING PIN($\phi 1.6 \times 5$)	
19			FOR LAMP
20			FOR LAMP
21	E1A1523003	BH POSITIONED PLATE	
22	004240676	SET SCREW(M4×5 B)	
23	E1A1533003	BH POSITIONED PLATE	
24	E1A1433003	BH SELECT CRANK SHAFT	
25	E1A1513000	BH MOVEMENT CRANK	
26	004230433	SET SCREW(M3×3 C)	
27	K6A0763000	BH SELECT CRANK	
28	K6A0703003	BH SELECTOR PLATE	
29	K6A0723003	BH SLIDE PLATE	
30	004300076	WASHER($\phi 4.2 \times \phi 9 \times 0.5$)	
31	003010036	E-RING(ETW-3)	
32	K6A0733003	BH SELECTOR PLATE	

NO.	ITEM NO.	NAME	REMARK
33	K6A0773003	BH CAM PLATE	

D. NEEDLE BAR SUPPORTER, PRESSER BAR



TAKE CARE THE CIRCLED PARTS FOR THE MODEL YOU WANT.

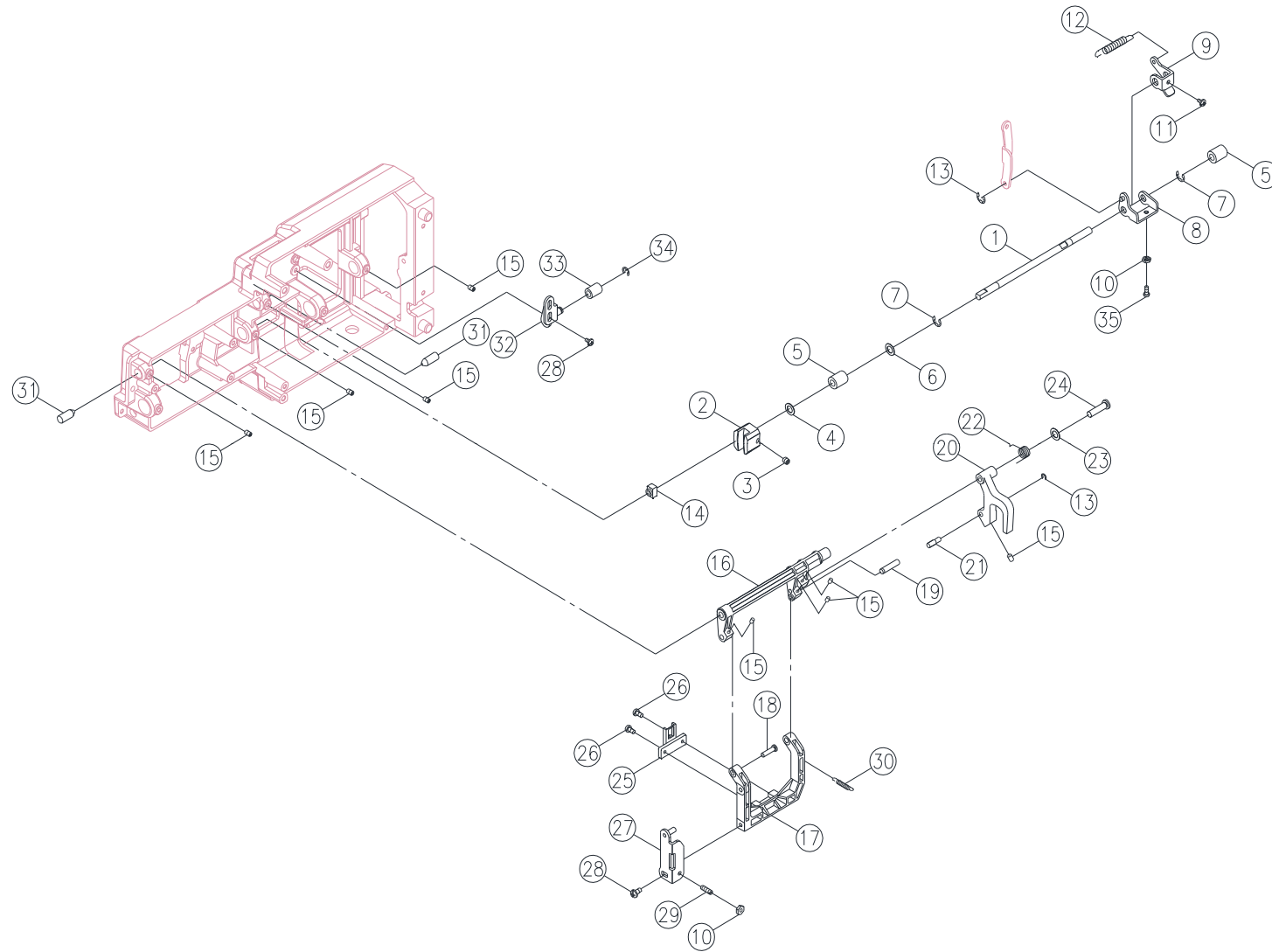


D. NEEDLE BAR SUPPORTER, PRESSER BAR

NO.	ITEM NO.	NAME	REMARK
1	Q6A0053000	NEEDLE BAR SUPPORTER	FOR N150B/N160
	Q6A0453000	NEEDLE BAR SUPPORTER	FOR ZAKKA N130
2	P3A0233003	THREADING GUIDE	FOR N150B/N160
3	004230016	SET SCREW(M3×6 A)	FOR N150B/N160
4	P3A0243002	THREADING SHAFT	FOR N150B/N160
5	003045014	PIN(φ2×14)	FOR N150B/N160
6	P3A0253003	THREADING SHAFT SPRING	FOR N150B/N160
7	P3A0183000	NEEDLE BAR SUPPORTER PIN	
8	004500670	WASHER(WW-6)	
9	004300043	WASHER(φ6.5×φ13×1)	
10	003010046	E-RING (ETW-4)	
11	004240033	SET SCREW(M4×5 C)	
12	H10253000	NEEDLE BAR BRACKET(1)	
13	H10263000	NEEDLE BAR BRACKET(2)	
14	004240503	SET SCREW(M4×4 C)	
15	P3A0213000	THREADING STOPPER	FOR N150B/N160
16	P3A0223003	THREADING STOP HOLDER	FOR N150B/N160
17	004220203	SET SCREW(M2×4)	FOR N150B/N160
18	004230203	SET SCREW(M3×4 C)	FOR N150B/N160
19	V70273000	NEEDLE BAR	
20	TA11033002	NEEDLE CLAMP	
21	G10176002	NEEDLE CLAMP SET SCREW	
22	Q6A0063003	NEEDLE BAR SUPPORTER	
23	P3A0273001	THREADING PLATE	FOR N150B/N160
24	P3A0283000	THREADING BUTTON	FOR N150B/N160
25	P3A0295000	INFILAGO	FOR N150B/N160
26	004216022	SET SCREW(M1.6×3)	FOR N150B/N160
27	F4A3343000	NEEDLE BAR CRANK ROD	
28	E1A0203003	NEEDLE BAR SUPPORTER PLATE PIN	
29	003010043	E-RING(ETW-4)	
30	Q4A0113003	NEEDLE BAR DRIVING ROD	FOR ZAKKA N130
	Q6A0093003	NEEDLE BAR DRIVING ROD	FOR N150B/N160

NO.	ITEM NO.	NAME	REMARK
31	003010036	E-RING(ETW-3)	
32	E1A2993000	NEEDLE BAR DRIVING ROD PIN	
33	006K6A0005	NEEDLE	
34	H50583003	NEEDLE BAR SUPPORTER SPRING	
35	K6A1193000	PRESSER BAR LIFTER LEVER	
36	V60163000	PRESSER BAR LIFTER LEVER SCREW WASHER	
37	004240046	SET SCREW(M4×10 B)	
38	V70153002	PRESSER BAR	
39	Q6B0153003	TENSION LEVER LIFTER	
40	H10723003	TENSION LEVER LIFTER SPRING	
41	H10533002	PRESSER BAR BRACKET	
42	004260023	SET SCREW(M6×5 C)	
43	V70163003	PRESSER BAR SPRING	
44	006187008	SHANK COMPLETE	
45	004106221	SET SCREW(9/64×40×7.5)	
46	006918008	ZIGZAG PRESSER FOOT(C)	
	006186008	ZIGZAG PRESSER FOOT(T)	
47		PRESSER BAR REGULATING SCREW	FOR NON-EXPOSURE
	V620163210	PRESSER BAR REGULATING SCREW	FOR EXPOSURE
48	H10195000	NEEDLE BAR BRACKET COMPLETE	

E. FEED REGULATING, FEED ROCK SHAFT, BELT ADJUSTING PLATE



E. FEED REGULATING, FEED ROCK SHAFT, BELT ADJUSTING PLATE

NO.	ITEM NO.	NAME	REMARK
1	Q6A0403000	FEED REGULATING SHAFT	
2	F30353000	FEED REGULATING	
3	004240503	SET SCREW(M4×4 C)	
4	004400570	WASHER(φ6.7×φ11.8×0.5)	
5	R11443000	FEED ROCK BUSHING	
6	004300123	WASHER(φ6.7×φ12×1)	
7	003011052	E-RING(ETW-5)	
8	Q6A0125003	FEED REGULATING CRANK COMPLETE	
9	E1A0493003	FEED CRANK	
10	004840106	ADJUSTING NUT(ALN-4)	
11	004240046	SET SCREW(M4×10 B)	
12	F4A3313003	FEED REGULATING CRANK SPRING	
13	003010036	E-RING(ETW-3)	
14	F30333000	FEED REGULATING BLOCK	
15	004240223	SET SCREW(M4×6 C)	
16	P3A1763000	FEED ROCK SHAFT	
17	P3A1773000	FEED DOG SUPPORTER	
18	P3A0533003	FEED DOG SHAFT	
19	E1A0403000	FEED ROCK FRAME SHAFT(2)	
20	P3A1783000	FEED ROCK CRANK	
21	P3A0593000	REGULATING BLOCK SHAFT	
22	P3A0933003	FEED ROCK CRANK SPRING	
23	004300733	WASHER(φ5.2×φ12×1)	
24	P3A0583003	FEED ROCK SHAFT	
25	H1A0363000	FEED DOG	
26	004235016	SET SCREW(M3.5×8 A)	
27	P3A0553002	FEED LIFTING ROCK CRANK	
28	004240106	SET SCREW(M4×8 A)	
29	004241093	SET SCREW(M4×0.7 L9)	
30	P3A0603003	FEED DOG SPRING	
31	P3A0613000	FEED CRANK SHAFT	
32	H1A0433003	BELT ADJUSTING PLATE	

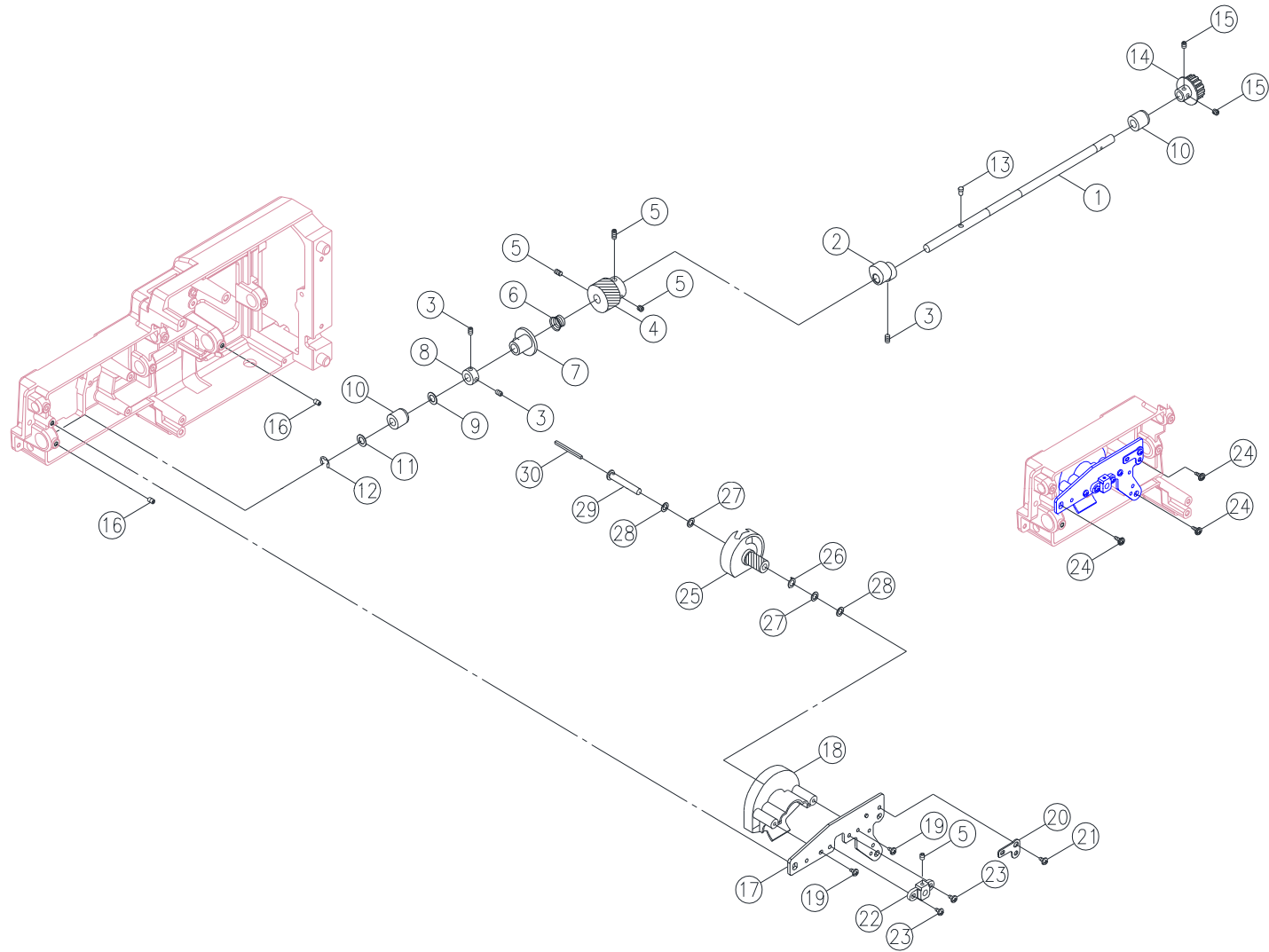
NO.	ITEM NO.	NAME	REMARK
33	H1A0453000	BELT ADJUSTING PLATE PULLEY	
34	003010043	E-RING(ETW-4)	
35	004240136	SET SCREW(M4×12 B)	

PREFISSO "ZS"

PREFISSO "ZS"

PREFISSO "ZS"

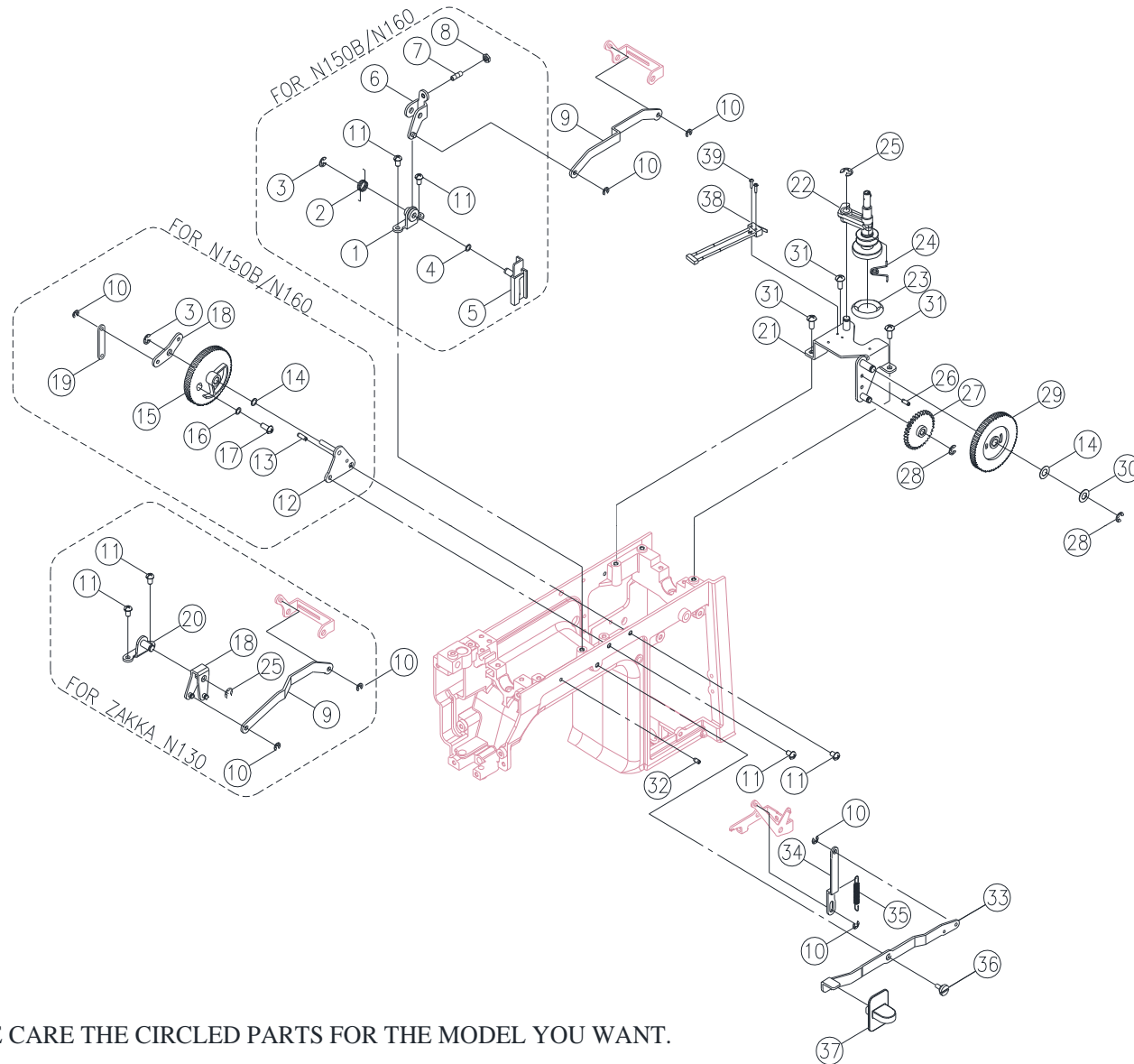
F. LOWER SHAFT, ROTARY HOOK



F. LOWER SHAFT, ROTARY HOOK

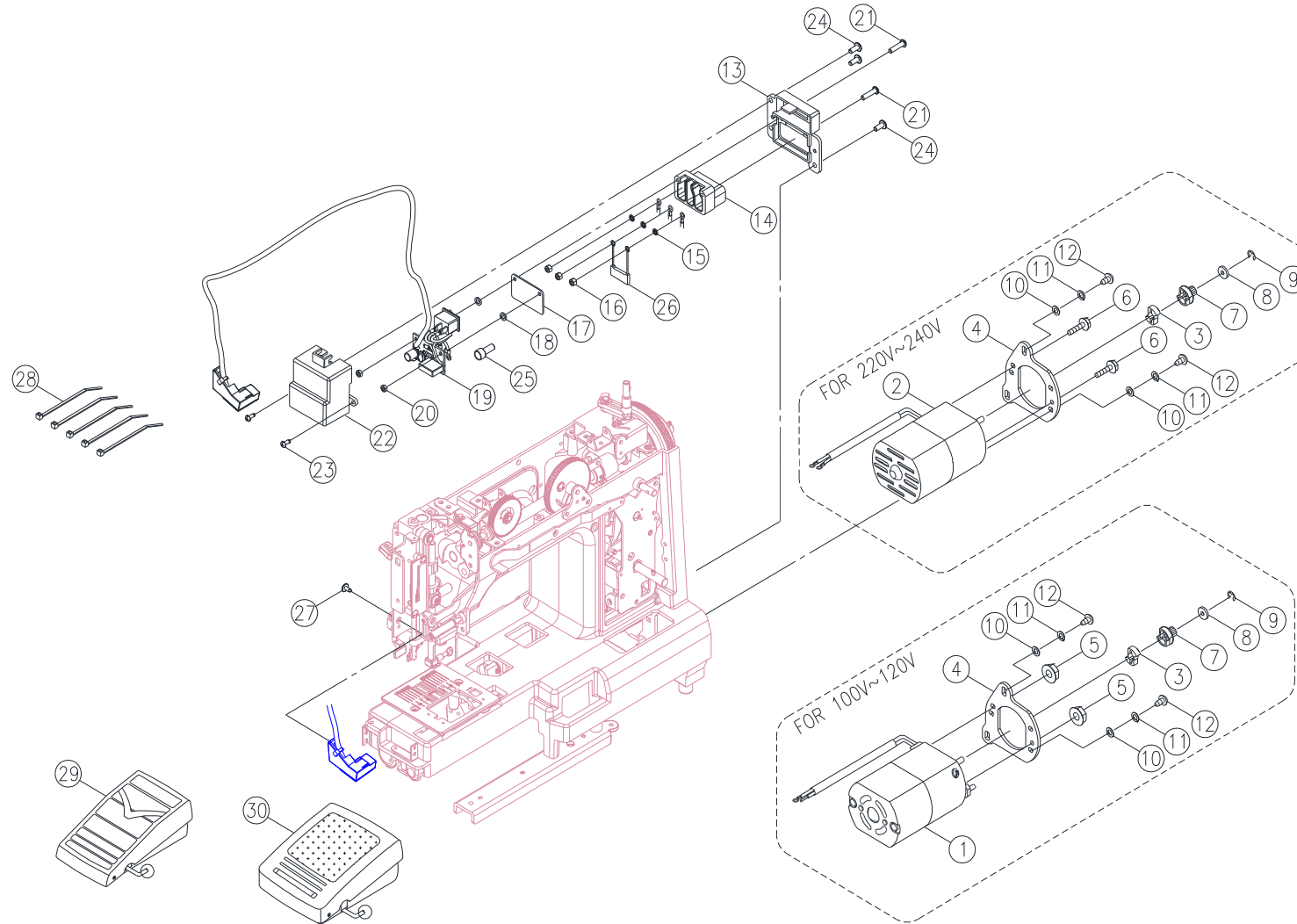
NO.	ITEM NO.	NAME	REMARK
1	Q6A0083000	LOWER SHAFT	
2	H1A1503000	FEED ROCK CAM	
3	004240503	SET SCREW(M4×4 C)	
4	P3A1133000	LOWER SHAFT GEAR	
5	004240033	SET SCREW(M4×5 C)	
6	P3A0443003	LOWER SHAFT SPRING	
7	P3A0423000	FEED LIFTING ROCK CAM	
8	V11553003	LOWER SHAFT COLLAR	
9	004400830	ENDURE ATTRITION WASHER	
10	E1A0283000	LOWER SHAFT BUSHING	
11	004300936	WASHER(ϕ 8.2× ϕ 12×0.5)	
12	003010063	E-RING(ETW-6)	
13	P3A0433003	FEED LIFTING ROCK COM PIN	
14	H1A0463000	LOWER SHAFT BELT PULLEY	
15	004250203	SET SCREW(M5×5 C)	
16	004240223	SET SCREW(M4×6 C)	
17	H1A0383006	ROTARY HOOK HOLDER	
18	E1A0563582	NEEDLE PLATE COVER	
19	004230066	SET SCREW(M3×12)	
20	P3A0493003	ROTARY HOOK HOLDER POSITIONED PLATE	
21	004240056	SET SCREW(M4×6 B)	
22	E1A0543000	ROTARY HOOK SUPPORTER	
23	004240106	SET SCREW(M4×8 A)	
24	004240586	SET SCREW(M4×8)	
25	Q6A0704000	SHUTTLE HOOK HOLDER	
26	NB0683000	BOBBIN SHAFT WASHER(3)	
27	004400840	ENDURE ATTRITION WASHER	
28	NB0673000	BOBBIN SHAFT WASHER(2)	
29	E1A2033000	BOBBIN SHAFT	
30	NB0693000	BOBBIN SHAFT OIL CLOTH	

G. ZIGZAG REGULATOR, BOBBIN WINDER, CLUTCH ROD, REVERSE LEVER



TAKE CARE THE CIRCLED PARTS FOR THE MODEL YOU WANT.

H. MOTOR & LAMP HOLDER

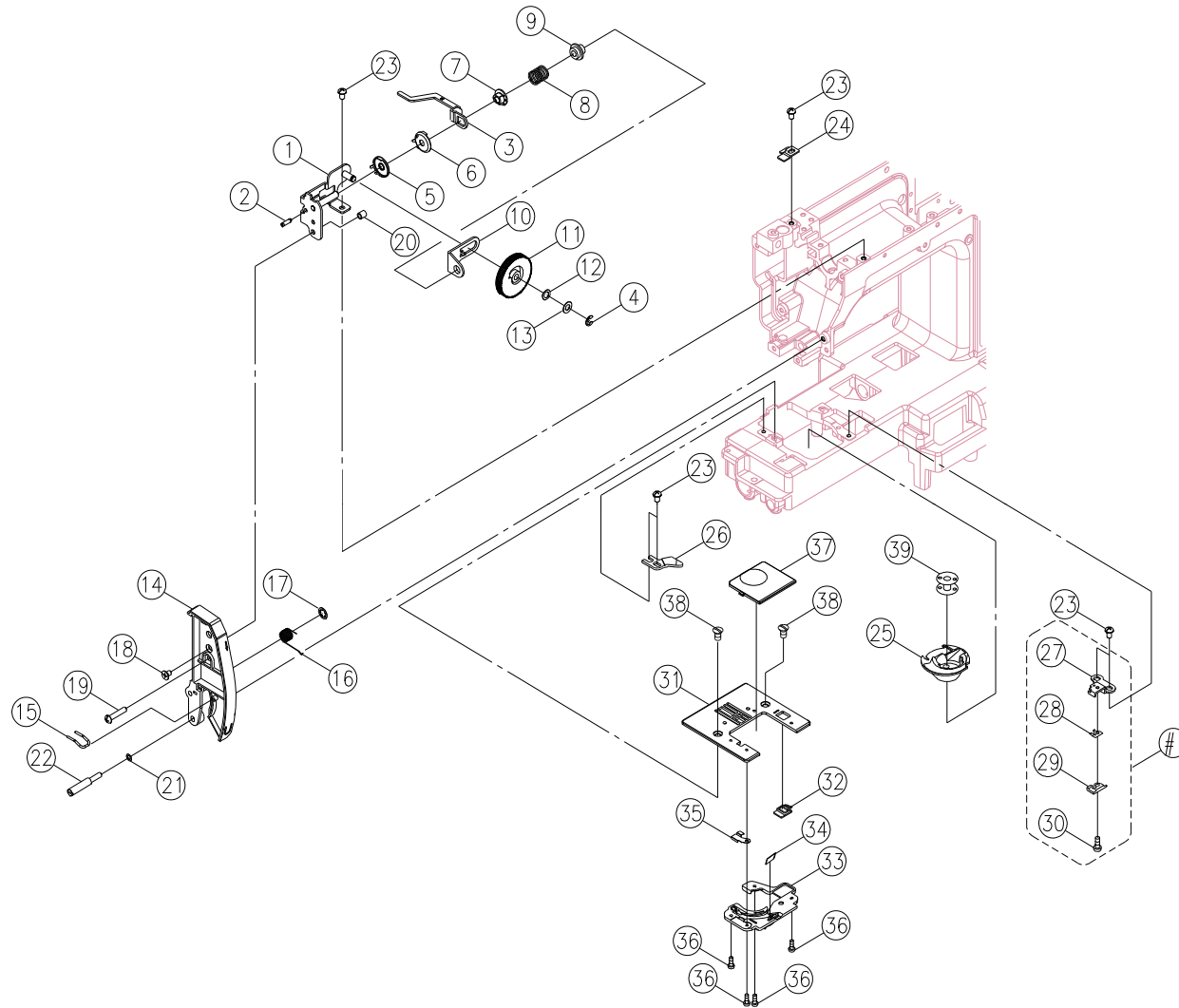


ALL VOLTAGE APPLICATION & SPEC. ,PLEASE CHECK NEXT PAGE.

H. MOTOR & LAMP HOLDER

NO.	ITEM NO.	NAME	REMARK
1			FOR 120V / US CN-0003479
2	001164209	MOTOR	FOR 230V / EU.
3	008059302	CUSHION RUBBER	
4	Q6A0423000	BELT WHEEL	
5	002145029	MOTOR FEED REGULATOR COLLAR	
6	003010036	E-RING(ETW-3)	
7	Q6A0333006	MOTOR BRACKET	
8			FOR 120V
9	004241428	SET SCREW(M4×10.2)	FOR 230V
10	004300306	WASHER(ϕ 5.4× ϕ 10×0.9)	
11	004600296	SPRING WASHER(ϕ 5.2× ϕ 9×1)	
12	004250086	SET SCREW(M5×12)	
13	Q6A0603000	RECEPTACLE HOLDER	
14	002624129	RECEPTACLE	
15	003012061	WASHER	
16	004840120	NUT(M3×4)	
17	002621129	CONCERT INSULATION PLATE	
18	0040300013	WASHER	
19			FOR 120V
	VGJ0565000	LED HOLDER COMPLETE	FOR 220V~240V
20	004830016	NUT(M3 T=2.3)	
21	004230356	SET SCREW(M3×25B)	
22	K6C0423000	RECEPTACLE HOLDER COVER	
23	004230842	SET SCREW(M3×8)	
24	004241046	SET SCREW(M4×10 A)	
25	AA0463000	END TERMED	
26	008V4B0001	CONDENSER	FOR 220V-240V
27	004231016	SET SCREW(M3×5)	
28	002027129	CORD CLIP	
29			FOR 120V /US
30	002V881021	FOOT CONTROLLER	FOR 230V / EU.

I. DIAL TENSION, ROTARY HOOK PLATE, NEEDLE PLATE



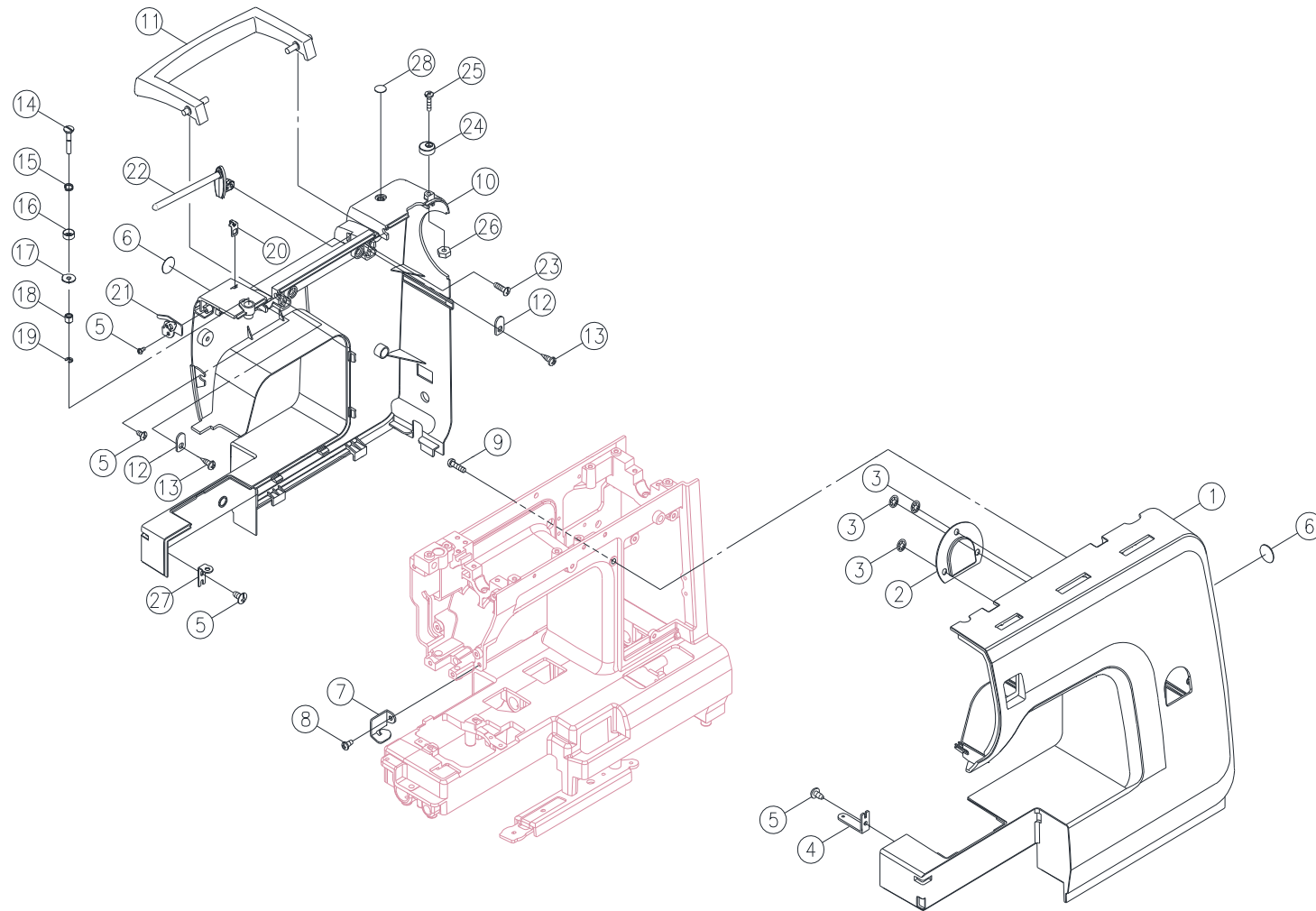
I. DIAL TENSION, ROTARY HOOK PLATE, NEEDLE PLATE

NO.	ITEM NO.	NAME	REMARK
1	Q6B0085000	DIAL TENSION SUPPORTER PLATE COMPLETE	
2	003043010	SPRING PIN(ϕ 3×10)	
3	K6D0293006	DIAL TENSION WAFT PLATE	
4	003010043	E-RING(ETW-4)	
5	J30423001	DIAL TENSION DISC(1)	
6	E1A2333001	DIAL TENSION DISC	
7	D6B0623000	DIAL TENSION SPRING REGULATOR	
8	K50183003	DIAL TENSION SPRING	
9	K50193000	DIAL TENSION REGULATOR	
10	V60273006	DIAL TENSION SPRING PLATE	
11	K5BD013210	DIAL TENSION KNOB	FOR ZAKKA N130
	H1ED033210	DIAL TENSION KNOB	FOR N150B/N160
12	004500360	WASHER(WW-5)	
13	004300643	WASHER(ϕ 5.2× ϕ 10×0.5)	
14	Q6B0233210	DIAL TENSION SUPPORTER PLATE COVER	
15	P3A1353001	THREAD GUIDE	
16	V60303000	DIAL TENSION SPRING	
17	003020053	CS-RING(CSTW-5)	
18	004240176	SET SCREW(M4×6 D)	
19	004240146	SET SCREW(M4×15 B)	
20	H11103001	DIAL TENSION GUIDE SPRING TUBE	
21	004300136	WASHER(ϕ 4.2× ϕ 8×0.8)	
22	004241412	SET SCREW(M4×0.7 L42)	
23	004240056	SET SCREW(M4×6 B)	
24	V880583003	TENSION LEVER REGULATING PLATE	
25	Q6A0764000	SHUTTLE HOOK COMPLETE	
26	E1A0593002	ROTARY HOOK PLATE	
27	E1A0603002	ROTARY HOOK PLATE(2)	
28	F30893000	ROTARY HOOK PLATE SPRING(2)	
29	F30883000	ROTARY HOOK PLATE SPRING(1)	
30	004220056	SET SCREW(M2×2.5)	
31	H2A0033004	NEEDLE PLATE	

PREFISSO "ZS"

NO.	ITEM NO.	NAME	REMARK
32	NB0233000	NEEDLE PLATE COVER OPEN	
33	H2AA013000	NEEDLE PLATE SUPPORTER	
34	V630593000	THREAD CUTTER	
35	E1A2603000	NEEDLE PLATE SPRING	
36	0042200016	SET SCREW(M2×3MM)	
37	H2A0053000	NEEDLE PLATE COVER	
38	004240851	SET SCREW(M4×6)	
39	006084009	BOBBIN	
#1	E1A0584000	ROTARY HOOK PLATE (2) COMPLETE	

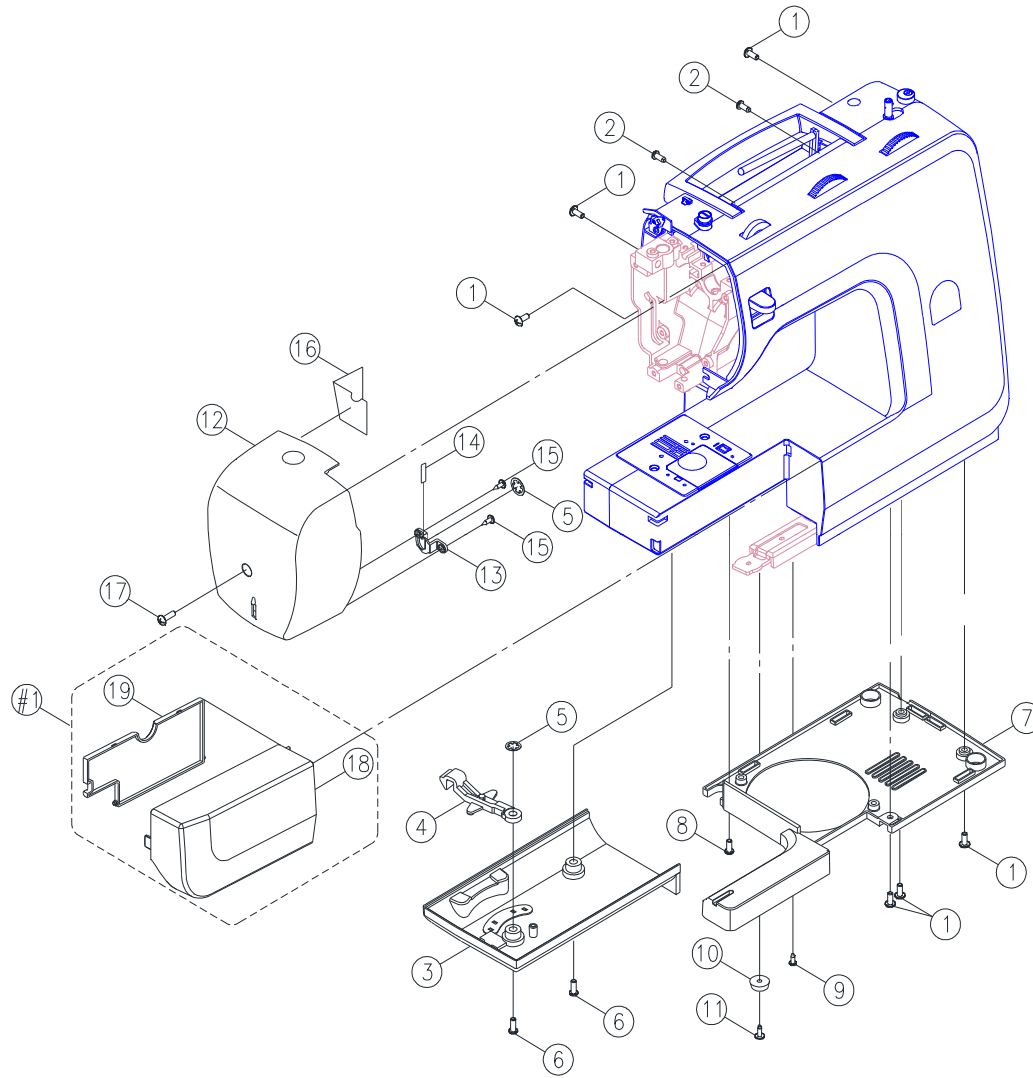
J. FRONT COVER, BACK COVER



J. FRONT COVER, BACK COVER

NO.	ITEM NO.	NAME	REMARK
1	Q3BC063210	FRONT COVER	FOR ZAKKA N130
	Q5BC073210	FRONT COVER	FOR N150B
	Q6BC283210	FRONT COVER	FOR N160
2	Q5BP013031	PATTERN DISPLAY WINDOW	
3	003020043	WASHER(CSTW-4)	
4	E1A1623002	ARM FRONT COVER SET PLATE	
5	004230216	SET SCREW(M3×8.5)	
6	V61503210	PLATE(1)	
7	E1A1883001	ARM TOP COVER THREAD GUIDE PLATE	
8	004240106	SET SCREW(M4×8 A)	
9	004240306	SET SCREW(M4×10 B)	
10	Q3BB013210	BACK COVER	FOR ZAKKA N130
	Q6BB123210	BACK COVER	FOR N150B/N160
11	Q6B0383210	HANDLE	
12	H13093003	SET WASHER	
13	004230796	SET SCREW(M3×8)	
14	V610213001	BOBBIN WINDER THREAD GUIDE ADJUSTING	
15	H13153001	BOBBIN WINDER THREAD GUIDE SPRING	
16	H13133001	BOBBIN WINDER SPRING DISC	
17	K6A1253001	BOBBIN WINDER THREAD GUIDE	
18	E1A2353006	SPACER	
19	003010033	E-RING(ETW-3)	
20	E1A2043001	THREAD GUIDE	
21	Q6B0654000	THREAD GUIDE COMPLETE	
22	V610443210	SPOOL PIN BASE	
23	004230656	SET SCREW(M3×1.06)	
24	K6B0393000	BOBBIN WINDER	
25	004106162	SET SCREW(9/64×40×16)	
26	004706013	NUT(9/64×40 T=3)	
27	E1A1673002	ARM BACK COVER SET PLATE	
28			FOR NON-SECOND SPOOL PIN

K. FACE PLATE, FREE ARM FOOT BASE, BED COVER, SEWING TABLE

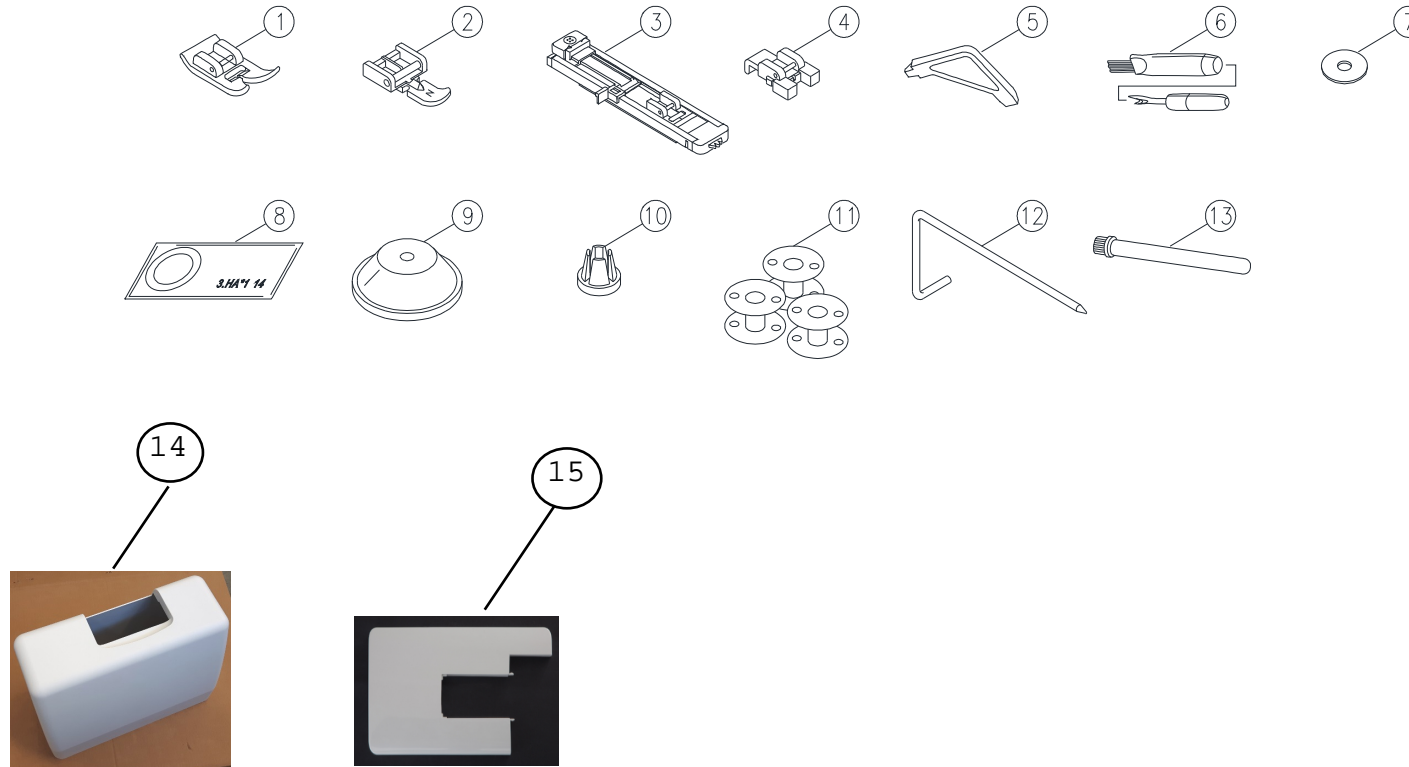


K. FACE PLATE, FREE ARM FOOT BASE, BED COVER, SEWING TABLE

NO.	ITEM NO.	NAME	REMARK
1	004240106	SET SCREW(M4×8 A)	
2	004240306	SET SCREW(M4×10 B)	
3	Q6BA003210	FREE ARM BASE	
4	Q6B0573210	TOOTH LEVER ARM	
5	003020453	CS-RING(CSTW-4.5)	
6	004240136	SET SCREW(M4×12 B)	
7	Q6B0343210	FREE ARM FOOT BASE	
8	004240046	SET SCREW(M4×10 B)	
9	004230842	SET SCREW(M3×8)	
10	F31453000	FREE ARM BASE CUSHION RUBBER	
11	0042300076	SET SCREW(M3×12)	
12	Q6BF053210	FACE PLATE	FOR ZAKKA N130
	Q6BF183210	FACE PLATE	FOR N150B/N160
13	Q6B0363210	FACE CUTTER PLATE	
14	V630593000	CUTTER	
15	004230216	SET SCREW(M3×8.5)	
16			FOR LAMP
17	004240782	SET SCREW(M4×11.5 A)	
18	Q6B0323210	SEWING TABLE BODY	
19	Q6B0333210	SEWING TABLE BODY COVER	
#1	Q6B0324210	SEWING TABLE BODY COMPLETE	

L. ACCESSORIES

STANDARD ACCESSORIES



L. ACCESSORIES

STANDARD ACCESSORIES			
NO.	ITEM NO.	NAME	REMARK
1	006918008	ZIGZAG PRESSER FOOT(C)	
2	006905008	ZIPPER FOOT(I)	
3	006Q6A0150	BUTTONHOLE FOOT	
4	006914008	BUTTON SEW-ON FOOT	
5	006093009	L-SCREWDRIVER	
6	006099008	SEAM RIPPER/ BRUSH	
7	006015009	SPOOL PIN FELT	
8	006K6A0003	NEEDLE PACKAGE	
9	R12373210	SPOOL HOLDER(LARGE)	
10	TA10943210	SPOOL HOLDER(SMALL)	
11	006084009	BOBBIN	
12	006008001	QUILTING BAR	
13	R60033210	SECOND SPOOL PIN	

- 14 ZSQ6BH034210 Copertura rigida
 15 ZSQ6B0354210 Tavolo Quilting

NOTE: WHEN YOU ORDER ANY SPARE PARTS FROM US,
 PLEASE COOPERATE WITH US BY WRITING.

- (1) SECTION & SEQUENCE NO.
- (2) NAME OF PARTS
- (3) VOLTAGE, IF NECESSARY
- (4) OTHERS, IF ANY