

PARTS
LIST

NECCHI

Q132A

Q421A

PLEASE NOTE:

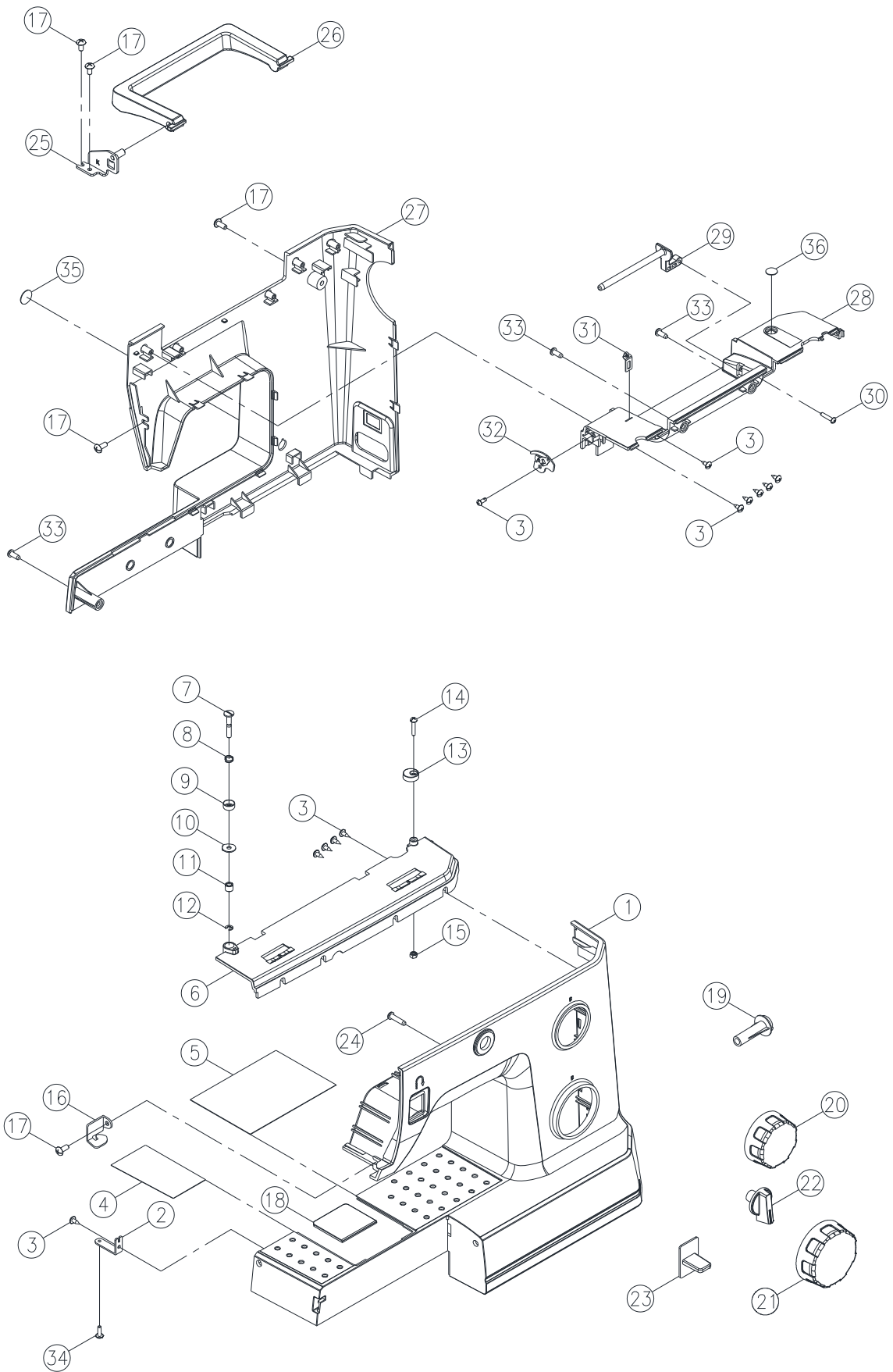
The parts mentioned without number in the parts list are not available.

Take care the parts for the model and the voltage application & spec. you need.

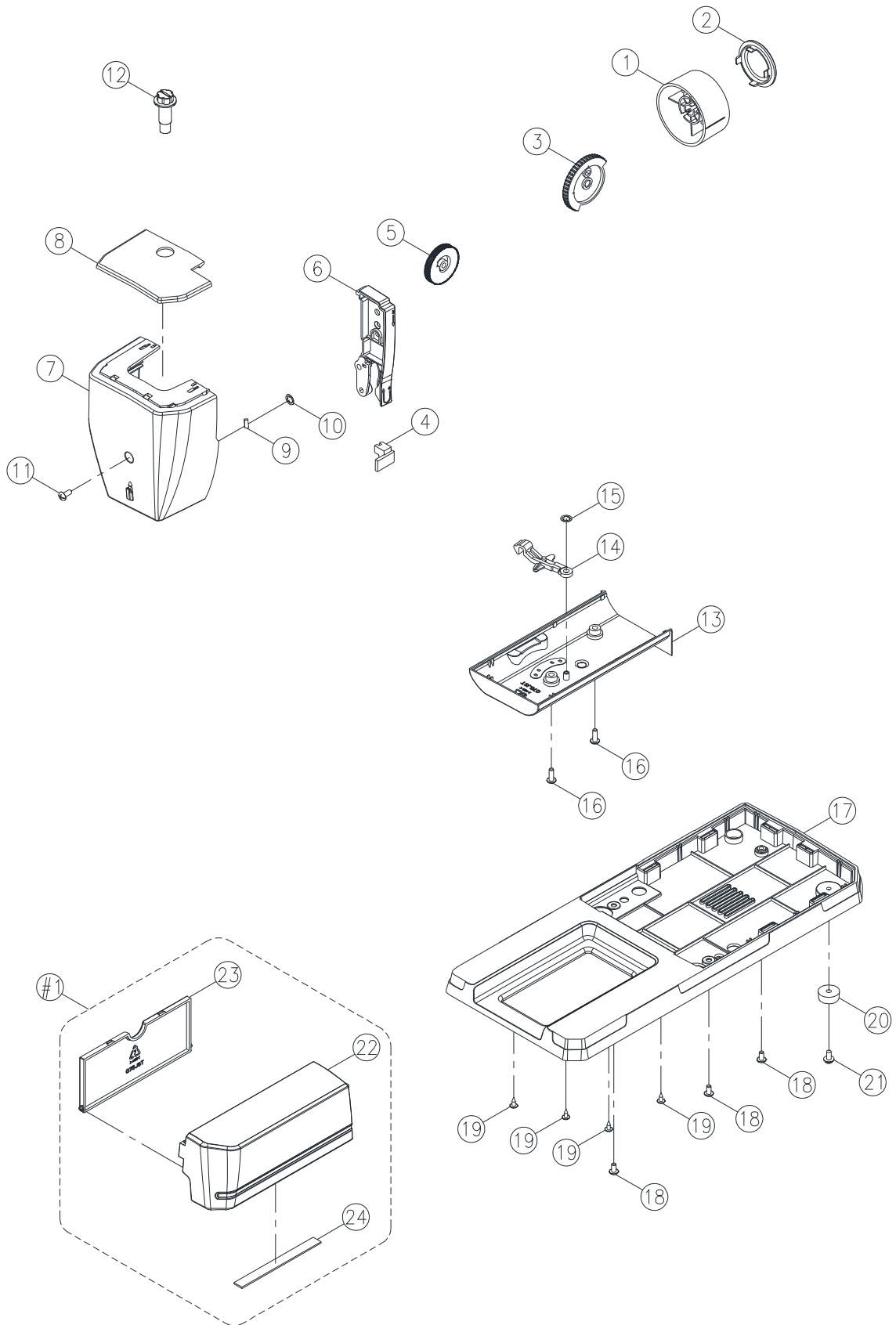
~ LIST OF CONTENTS ~

- A. PRINCIPAL COVER COMPONENTS 1
- B. PRINCIPAL COVER COMPONENTS 2
- C. UPPER SHAFT COMPONENTS
- D. PATTERN CONTACT MECHANISM
- E. PATTERN CAM MECHANISM
- F. PATTERN SELECTION COMPONENTS
- G. BOBBIN WINDER & THREAD TENSION MECHANISM
- H. NEEDLE BAR & PRESSER MECHANISM
- I. ZIGZAG MECHANISM
- J. BH MECHANISM & NEEDLE PLATE COMPONENTS
- K. FEED MECHANISM
- L. HOOK & LOWER SHAFT COMPONENTS
- M. MOTOR & POWER SUPPLY & ELECTRONIC PARTS
- N. ACCESSORIES (STANDARD)

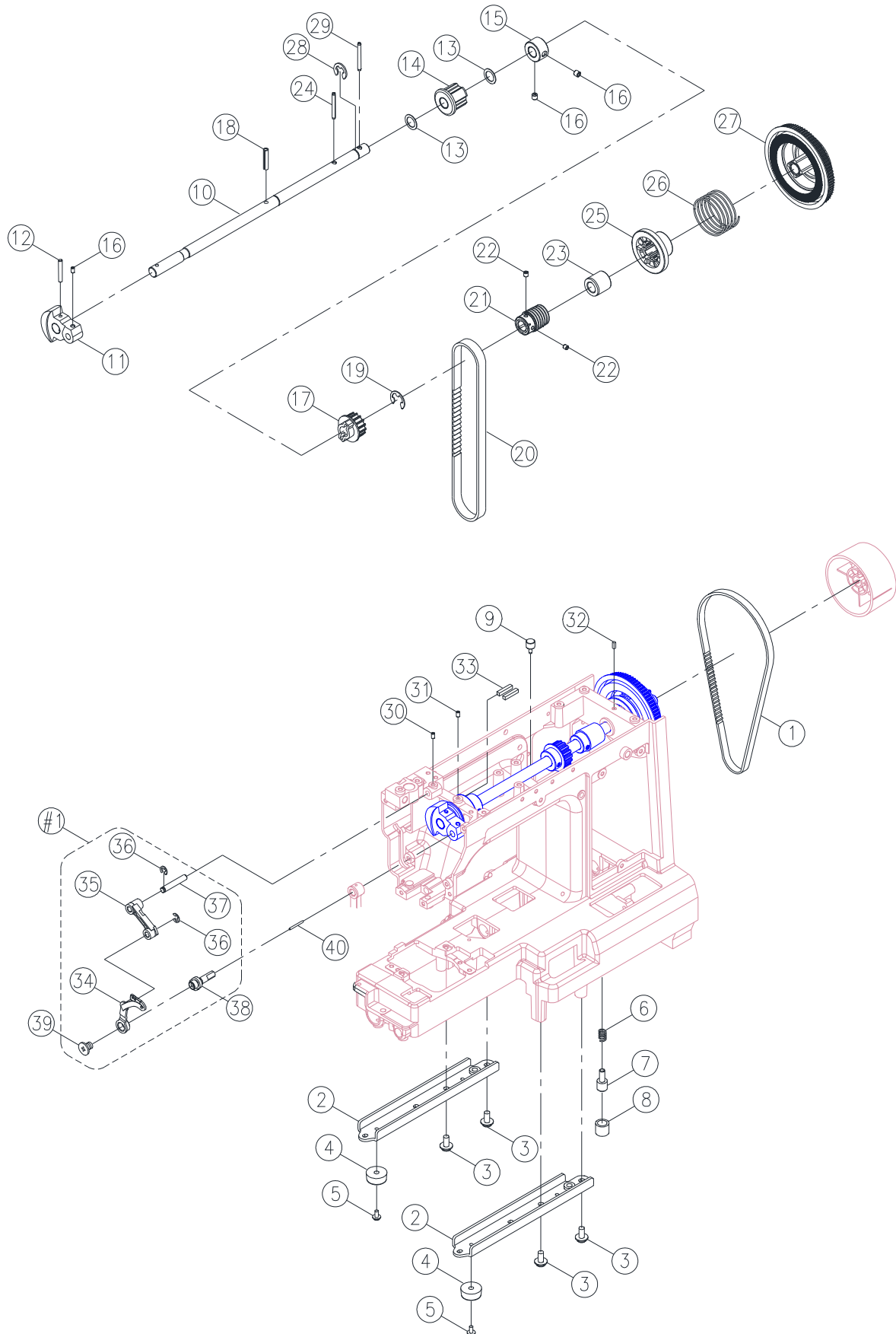
A. PRINCIPAL COVER COMPONENTS 1



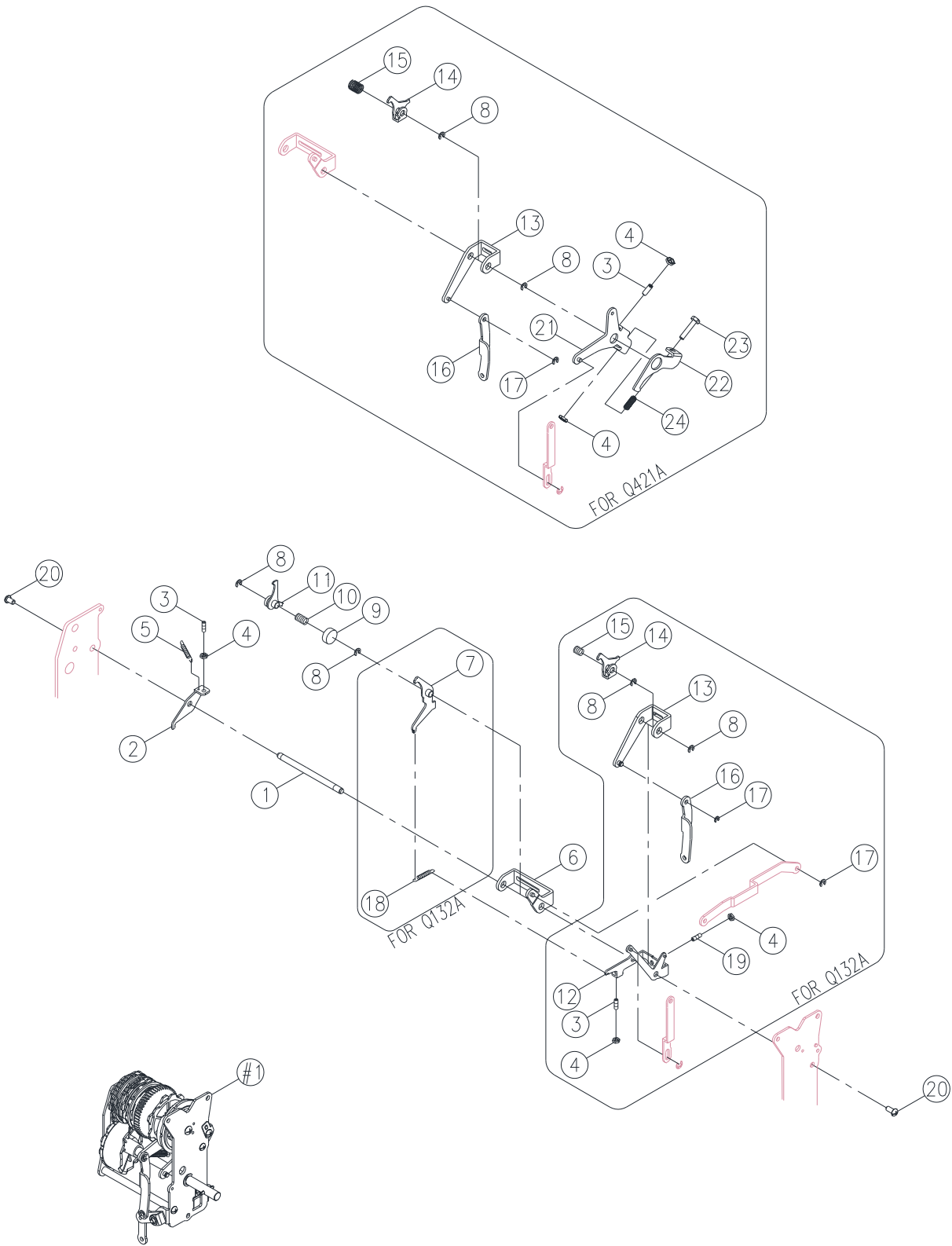
B. PRINCIPAL COVER COMPONENTS 2



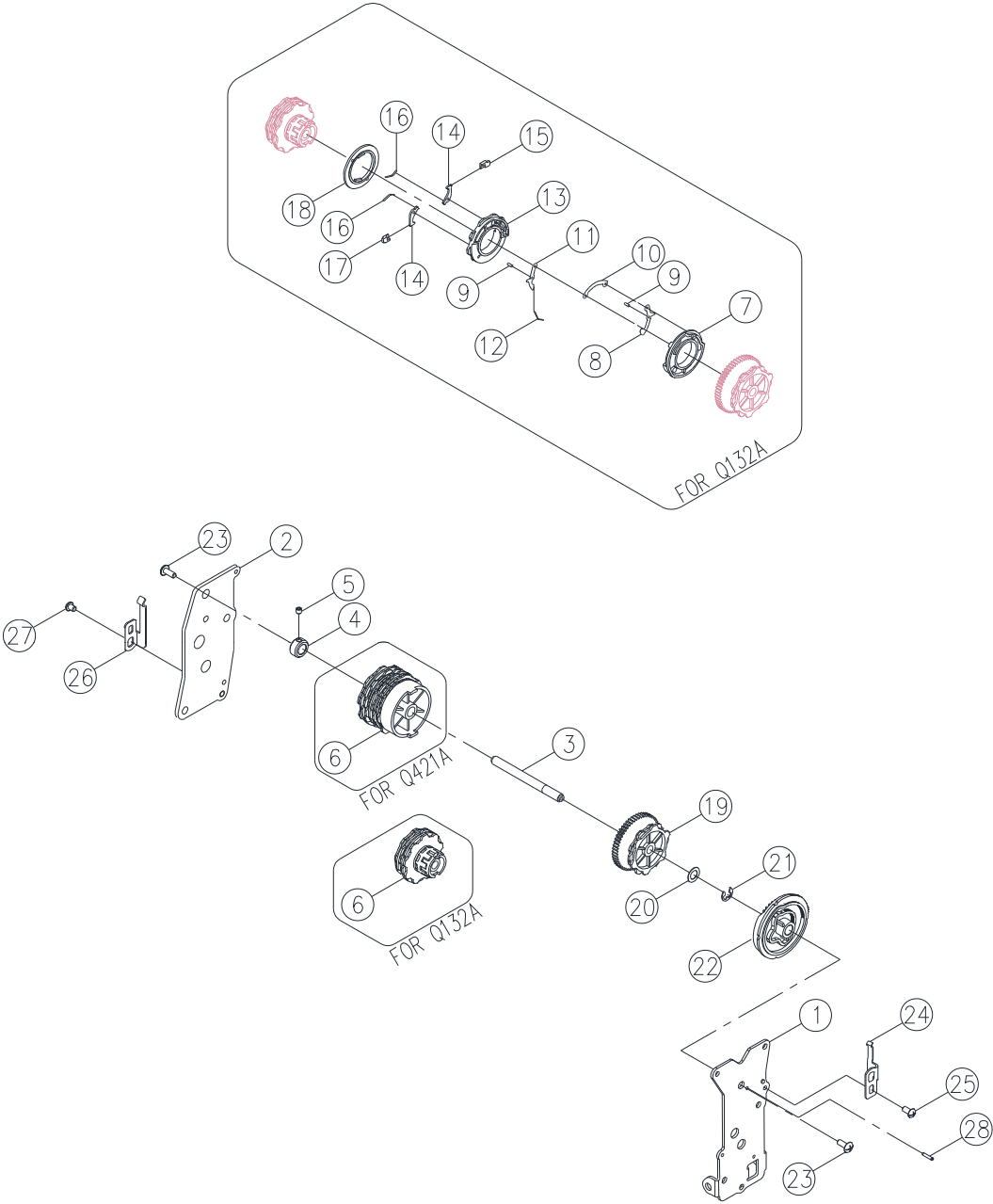
C. UPPER SHAFT COMPONENTS



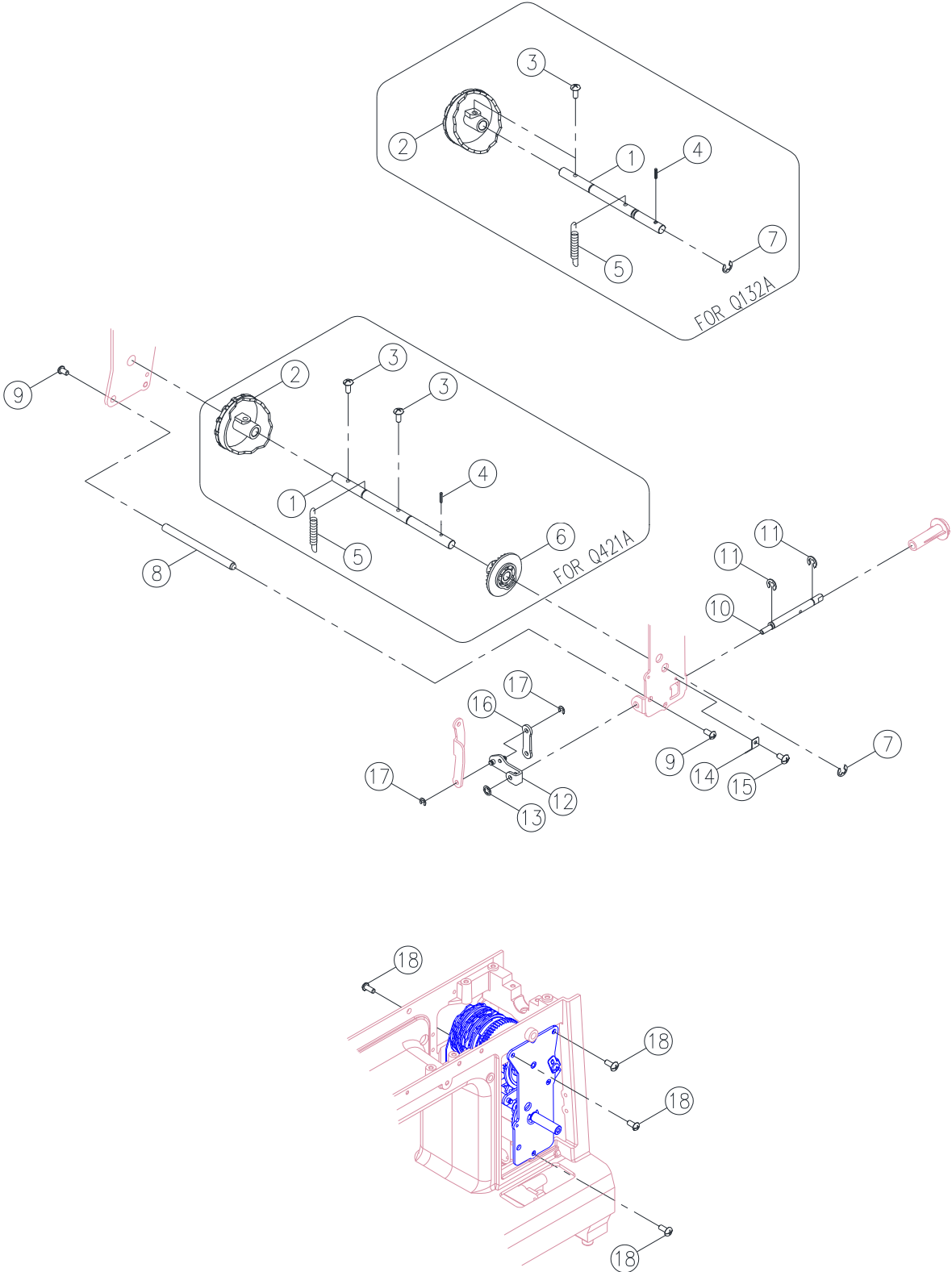
D. PATTERN CONTACT MECHANISM



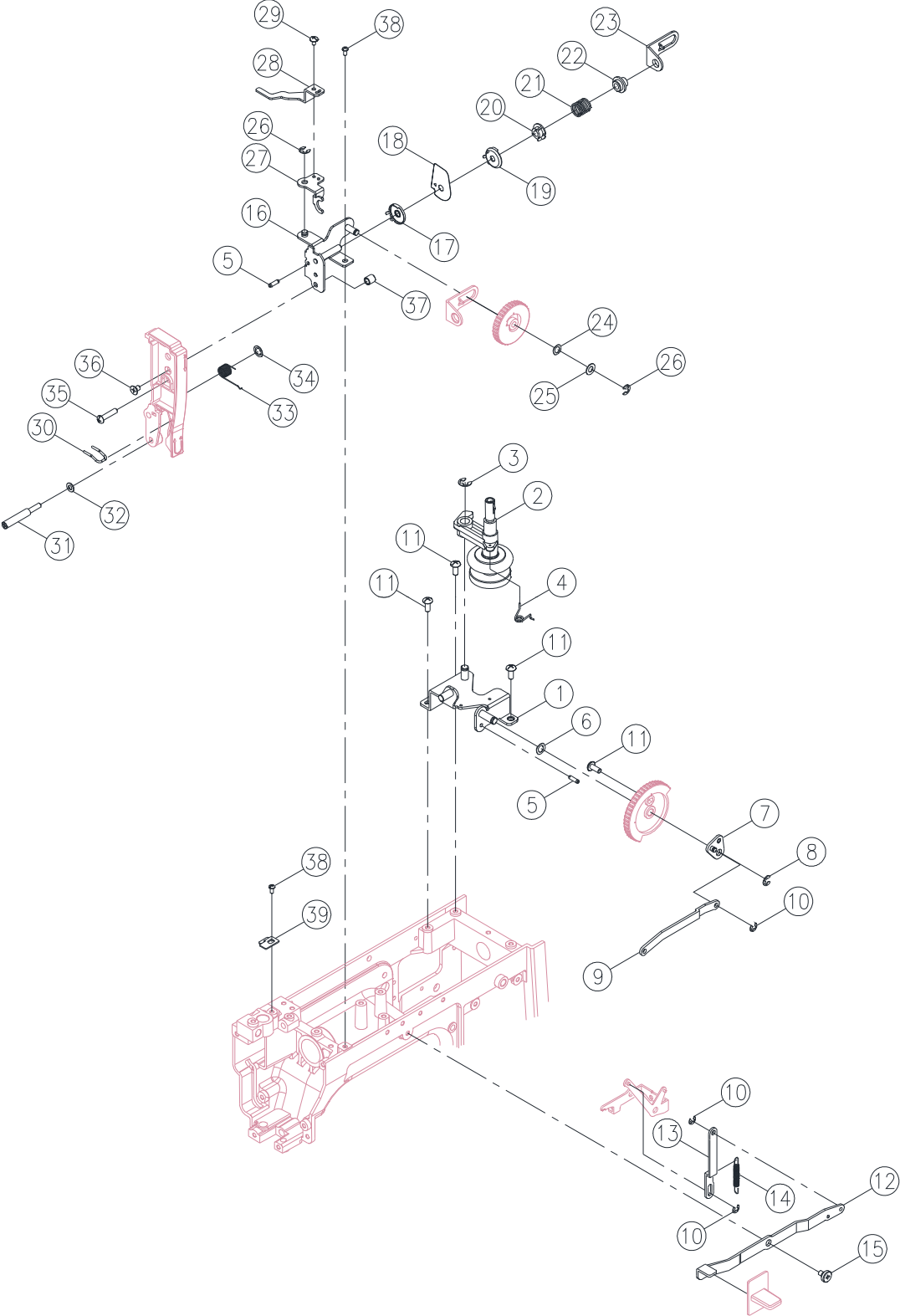
E. PATTERN CAM MECHANISM



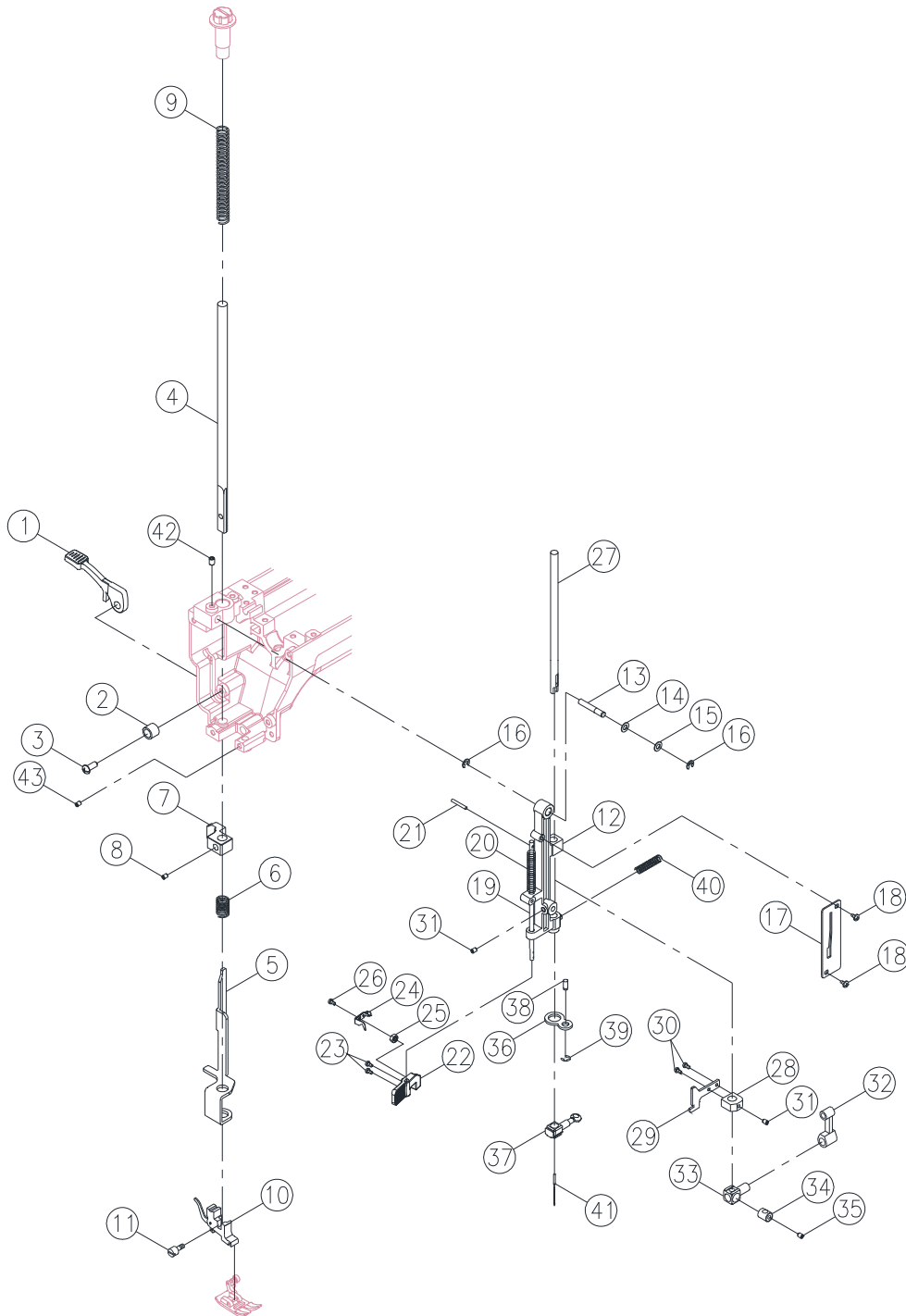
F. PATTERN SELECTION COMPONENTS



G. BOBBIN WINDER & THREAD TENSION MECHANISM



H. NEEDLE BAR & PRESSER MECHANISM



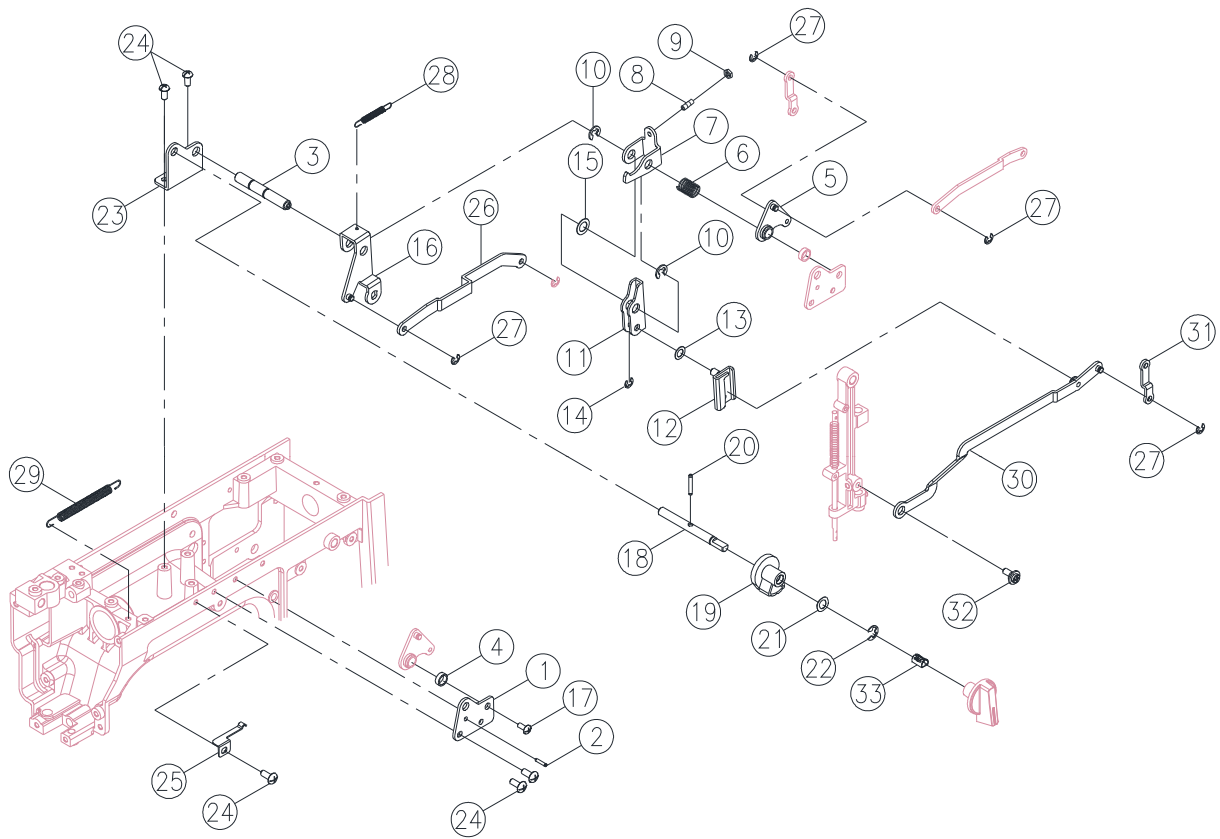
H. NEEDLE BAR & PRESSER MECHANISM

NO.	PART NO.	DESCRIPTION	REMARK
1	K6A1193000	PRESSER BAR LIFTER LEVER	
2	V60163000	PRESSER BAR LIFTER LEVER SCREW WASHER	
3	004240046	SET SCREW (M4x10 B)	
4	V70153002	PRESSER BAR	
5	Q6B0153003	TENSION LEVER LIFTER	
6	H10723003	TENSION LEVER LIFTER SPRING	
7	H10533002	PRESSER BAR BRACKET	
8	004260023	SET SCREW (M6x5 C)	
9	V70163003	PRESSER BAR SPRING	
10	006187008	SHANK CPL.	
11	004106221	SET SCREW (9/64x40x7.5)	
12	CAA0583000	NEEDLE BAR SUPPORTER	
13	P3A0183000	NEEDLE BAR SUPPORTER PIN	
14	004500670	WASHER (WW-6)	
15	004300043	WASHER (6.5x13x1)	
16	003010046	E-RING(ETW-4)	
17	CAA0323003	THREADING GUIDE	FOR AUTO THREADER
18	004230016	SET SCREW (M3x6 A)	FOR AUTO THREADER
19	CAA0303002	THREADING SHAFT	FOR AUTO THREADER
20	CAA0603003	THREADING SHAFT SPRING	FOR AUTO THREADER
21	0030400010	PIN (2xL16)	FOR AUTO THREADER
22	CAA0313213	THREADING PLATE	FOR AUTO THREADER
23	004220046	SET SCREW (M2x4 B)	FOR AUTO THREADER
24	R1A2764000	THREADING	FOR AUTO THREADER
25	004820012	NUT (M2 t=1.6)	FOR AUTO THREADER
26	004220026	SET SCREW (M2x3.5)	FOR AUTO THREADER
27	V70273000	NEEDLE BAR	
28	P3A0213000	THREADING STOPPER	FOR AUTO THREADER
29	CAA0343003	THREADING STOP HOLDER	FOR AUTO THREADER
30	004220203	SET SCREW (M2x4)	FOR AUTO THREADER
31	004230203	SET SCREW (M3x4 C)	FOR AUTO THREADER
32	F4A3343000	NEEDLE BAR CRANK ROD	
33	H10253000	NEEDLE BAR BRACKET (1)	
34	H10263000	NEEDLE BAR BRACKET (2)	
35	004240503	SET SCREW (M4x4 C)	
36	Q6A0063003	NEEDLE BAR SUPPORTER	
37	CAA1524000	NEEDLE CLAMP CPL.	
38	CAA1823000	NEEDLE BAR SUPPORTER PIN	
39	003010043	E-RING (ETW-4)	
40	H50583003	NEEDLE BAR SUPPORTER SPRING	
41	006K6A0005	NEEDLE (14/90)	
42	004240223	SET SCREW (M4x6 C)	
43	004240033	SET SCREW (M4x5 C)	

PREFISSO "ZS"

PREFISSO "ZS"

I. ZIGZAG MECHANISM



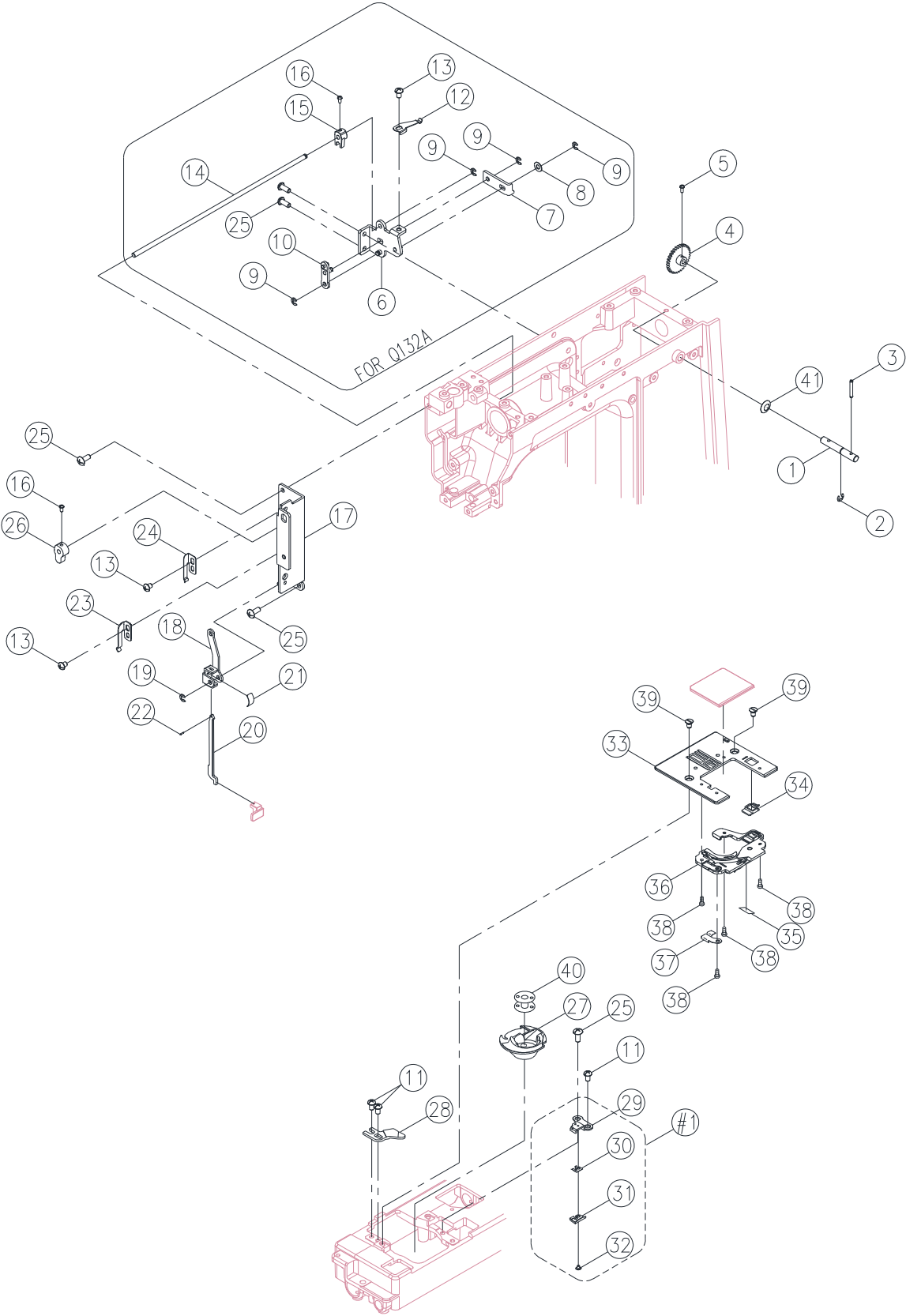
I. ZIGZAG MECHANISM

NO.	PART NO.	DESCRIPTION	REMARK
1	Q6D0163003	NEEDLE POSITION PLATE (FRONT)	
2	003043010	SPRING PIN (3x10)	
3	Q6D0193003	NEEDLE POSITION CRANK SHAFT	
4	VZ50413003	TUBE	
5	VZ50343003	ZIGZAG WIDTH CRANK	
6	H10723003	TENSION LEVER LIFTER SPRING	
7	Q6D0203003	NEEDLE POSITION ADJUSTMENT CRANK	
8	004241093	SET SCREW (M4x9)	
9	004840106	SET NUT (ALN-4)	
10	003010063	E-RING (ETW-6)	
11	VZ50263003	NEEDLE POSITION CRANK	
12	VZ50273002	ZIGZAG WIDTH REGULATING CAM BOX	
13	004300713	WASHER (5.2x10x0.2)	
14	003010043	E-RING (ETW-4)	
15	004300936	WASHER (8.2x12x0.5)	
16	Q6D0183003	AMPLITUDE CRANK	
17	004230016	SET SCREW (M3x6 A)	
18	Q7J0053003	NEEDLE POSITION BUTTON SHAFT	
19	Q7J0023000	NEEDLE POSITION CAM	
20	003042516	SPRING PIN (2.5x16)	
21	004500670	WASHER (6.4x11x0.15)	
22	003010056	E-RING (ETW-5)	
23	Q6D0173003	NEEDLE POSITION PLATE (BACK)	
24	004240106	SET SCREW (M4x8 A)	
25	Q6D0253003	NEEDLE POSITION PLATE	
26	Q6D0273003	ROD	
27	003010036	E-RING (ETW-3)	
28	M70093000	AUTO THREADED LEVER SPRING	
29	Q6D0393003	NEEDLE POSITION SPRING	
30	Q6D0143003	NEEDLE BAR DRIVING ROD	
31	Q6D0283003	ZIGZAG WIDTH CRANK ROD	
32	E1A2993000	NEEDLE BAR DRIVING ROD PIN	
33	003566003	SELECTOR DIAL SPRING	

PREFISSO "ZS"

PREFISSO "ZS"

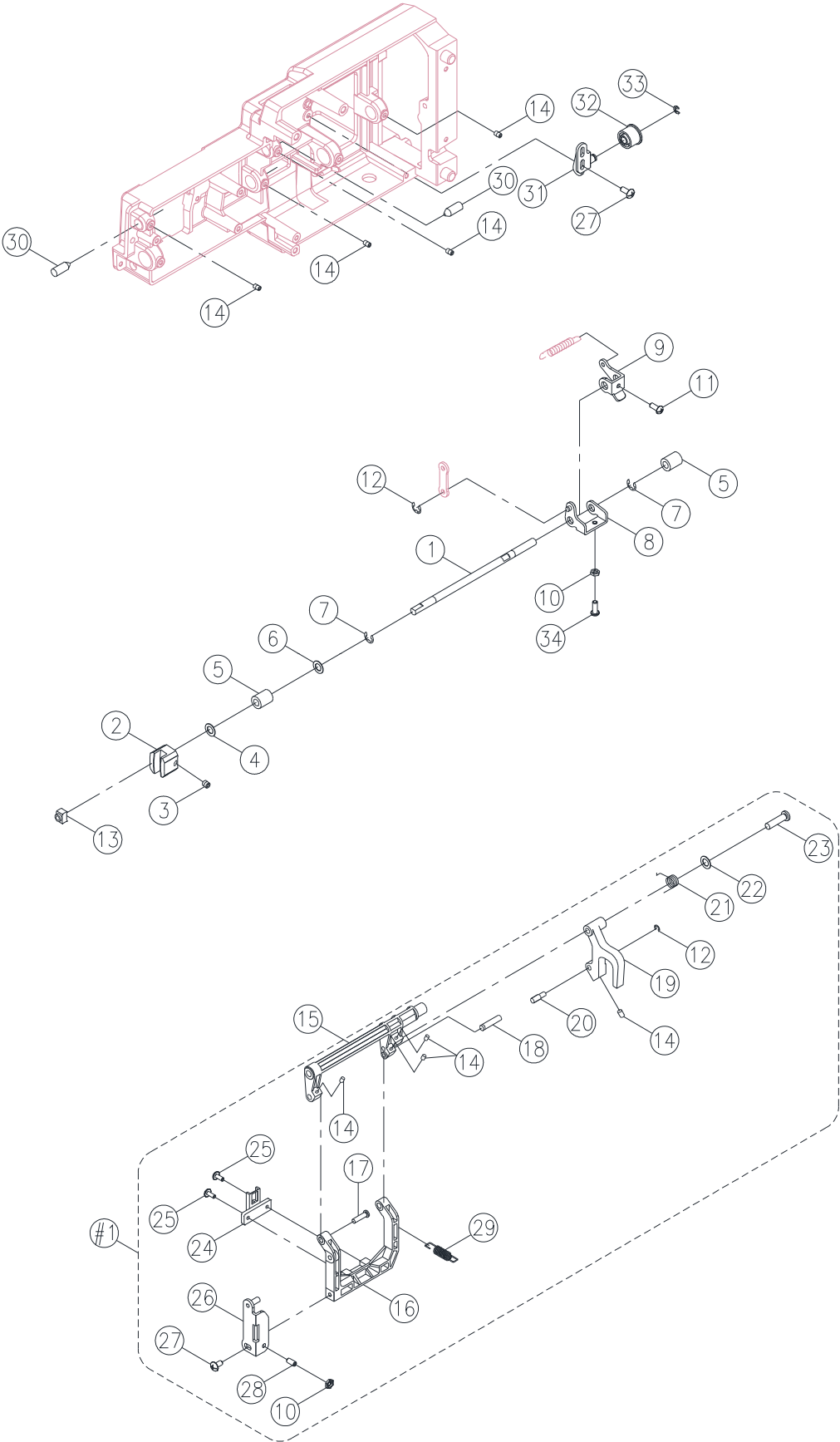
J. BH MECHANISM & NEEDLE PLATE COMPONENTS



J. BH MECHANISM & NEEDLE PLATE COMPONENTS

NO.	PART NO.	DESCRIPTION	REMARK
1	Q6D0643003	FEED REGULATOR DIAL SHAFT	
2	003010053	E-RING (ETW-5)	
3	003042516	SPRING PIN (2.5x16)	
4	P3A0903000	FEED REGULATOR GEAR	
5	004230211	SET SCREW (M3x8 A)	
6	K6A0703003	BH SELECTOR PLATE	FOR Q132A
7	K6A0723003	BH SLIDE PLATE	FOR Q132A
8	004300076	WASHER (4.2x9x0.5)	FOR Q132A
9	003010036	E-RING (ETW-3)	FOR Q132A
10	K6A0733003	BH SELECTOR PLATE	FOR Q132A
11	004240056	SET SCREW (M4x6 B)	
12	K6A0773003	BH CAM PLATE	FOR Q132A
13	004240676	SET SCREW (M4x5 B)	FOR Q132A
14	E1A1433003	BH SELECT CRANK SHAFT	FOR Q132A
15	K6A0763000	BH SELECT CRANK	FOR Q132A
16	004230056	SET SCREW (M3x5 B)	FOR Q132A
17	Q6G0055000	BH LEVER PLATE CPL.	FOR Q132A
	Q6G0053006	BH LEVER PLATE	FOR Q421A
18	K6A0923003	BH LEVER CRANK	FOR Q132A
19	003010033	E-RING (ETW-3)	FOR Q132A
20	K6A0943002	BH LEVER	FOR Q132A
21	K6A0933000	BH LEVER SPRING PLATE	FOR Q132A
22	003041605	SPRING PIN (1.6x5)	FOR Q132A
23	E1A1533003	BH POSITIONED PLATE	FOR Q132A
24	E1A1523003	BH POSITIONED PLATE	FOR Q132A
25	004240106	SET SCREW (M4x8 A)	
26	E1A1513000	BH MOVEMENT CRANK	FOR Q132A
27	Q6A0764000	SHUTTLE HOOK CPL.	
28	E1A0593002	ROTARY HOOK PLATE	
29	E1A0603002	ROTARY HOOK PLATE (2)	
30	F30893000	ROTARY HOOK PLATE SPRING (2)	
31	F30883000	ROTARY HOOK PLATE SPRING (1)	
32	004220056	SET SCREW (M2x2.5)	
33	H2A0033004	NEEDLE PLATE	
34	NB0233000	NEEDLE PLATE COVER OPEN	
35	V630593000	THREAD CUTTER	
36	H2AA013000	NEEDLE PLATE SUPPORTER	
37	E1A2603000	NEEDLE PLATE SPRING	
38	004220016	SET SCREW (M2x3)	
39	004240851	SET SCREW (M4x6)	
40	006084009	BOBBIN	
41	004900063	WASHER (6.2x12x2.0x0.15)	
#1	E1A0584000	ROTARY HOOK PLATE (2) CPL.	

K. FEED MECHANISM



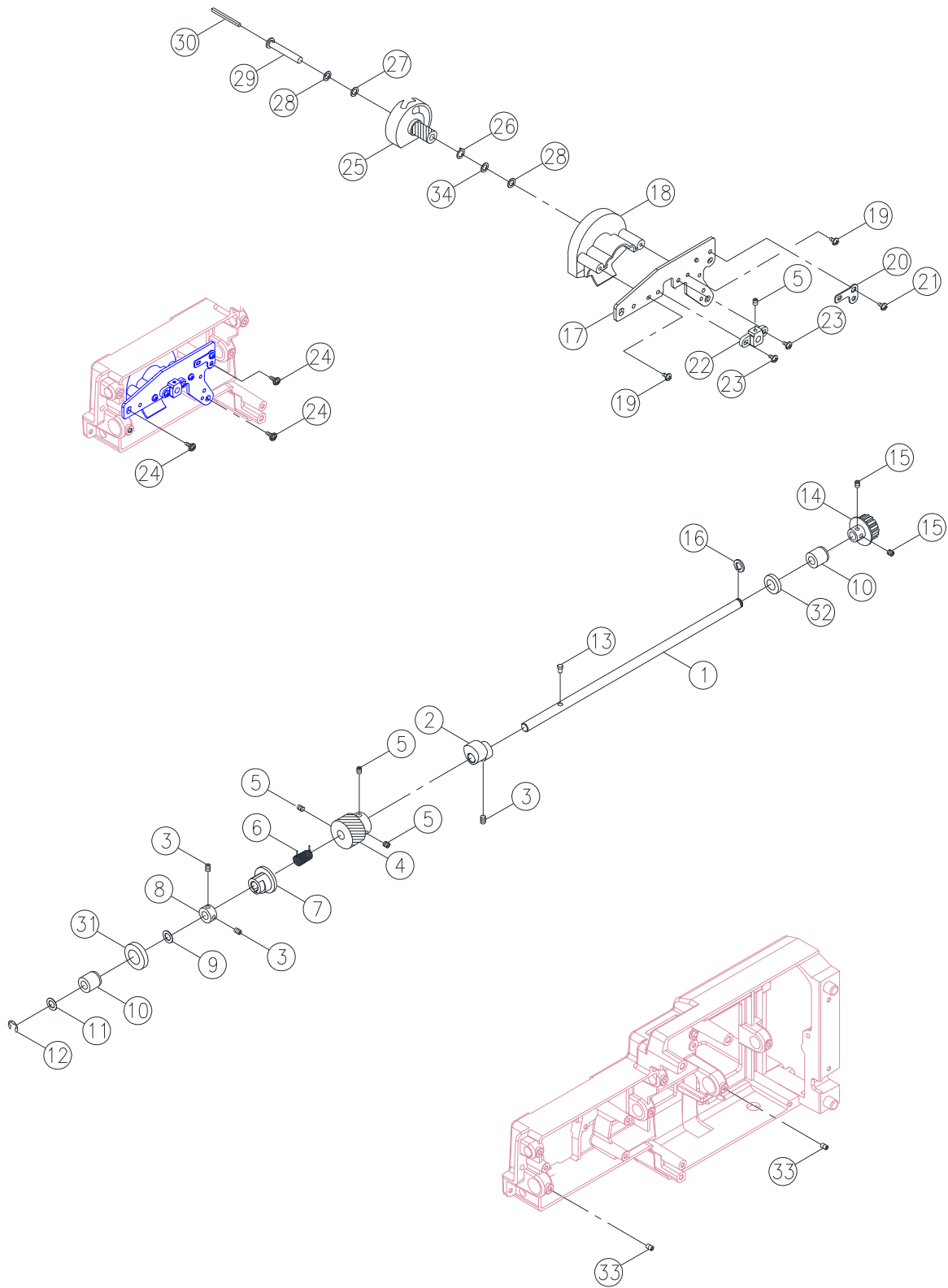
K. FEED MECHANISM

NO.	PART NO.	DESCRIPTION	REMARK
1	Q6A0403000	FEED REGULATING SHAFT	
2	F30353000	FEED REGULATING	
3	004240503	SET SCREW (M4x4 C)	
4	004400570	WASHER (6.7x11.8x0.5)	
5	R11443000	FEED ROCK BUSHING	
6	004300123	WASHER (6.7x12x1)	
7	003011052	E-RING (ETW-5)	
8	Q6B0033003	FEED REGULATING CRANK	
9	E1A0493003	FEED CRANK	
10	004840106	ADJUSTING NUT(ALN-4)	
11	004240046	SET SCREW (M4x10 B)	
12	003010036	E-RING (ETW-3)	
13	F30333000	FEED REGULATING BLOCK	
14	004240223	SET SCREW (M4x6 C)	
15	P3A1763000	FEED ROCK SHAFT	
16	P3A1773000	FEED DOG SUPPORTER	
17	P3A0533003	FEED DOG SHAFT	
18	E1A0403000	FEED ROCK FRAME SHAFT (2)	
19	P3A1783000	FEED ROCK CRANK	
20	P3A0593000	REGULATING BLOCK SHAFT	
21	P3A0933003	FEED ROCK CRANK SPRING	
22	004300733	WASHER (5.2x12x1)	
23	P3A0583003	FEED ROCK SHAFT	
24	H1A0363000	FEED DOG	
25	004235016	SET SCREW (M3.5x8 A)	
26	P3A0553002	FEED LIFTING ROCK CRANK	
27	004240106	SET SCREW (M4x8 A)	
28	004241093	SET SCREW (M4x0.7 L9)	
29	P3A0603003	FEED DOG SPRING	
30	P3A0613000	FEED CRANK SHAFT	
31	H1A0433003	BELT ADJUSTING PLATE	
32	H1A0453000	BELT ADJUSTING PLATE PULLEY	
33	003010043	E-RING (ETW-4)	
34	004240136	SET SCREW (M4x12 B)	
#1	Q6D0924000	FEED ROCK SHAFT CPL.	

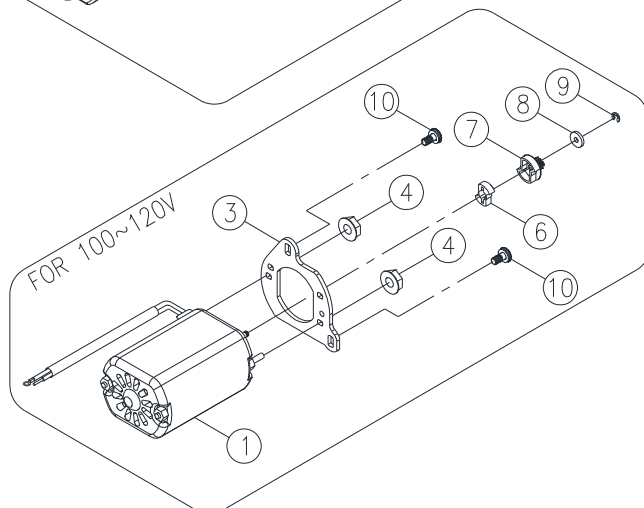
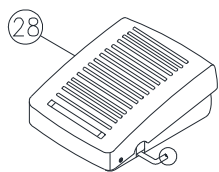
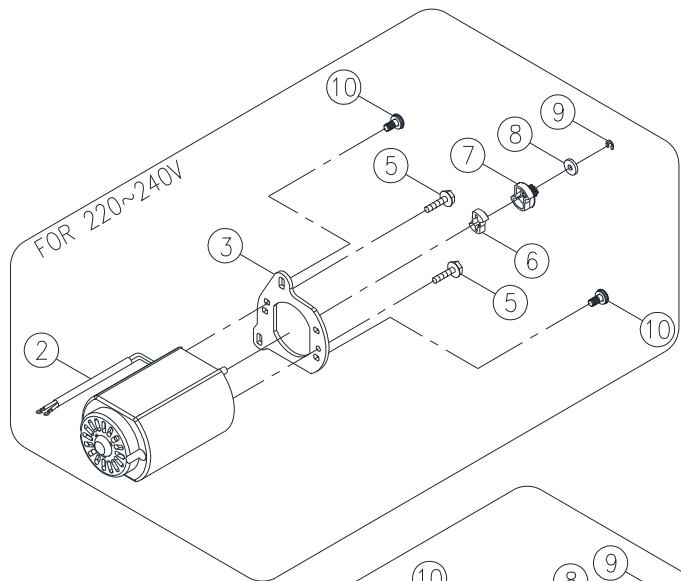
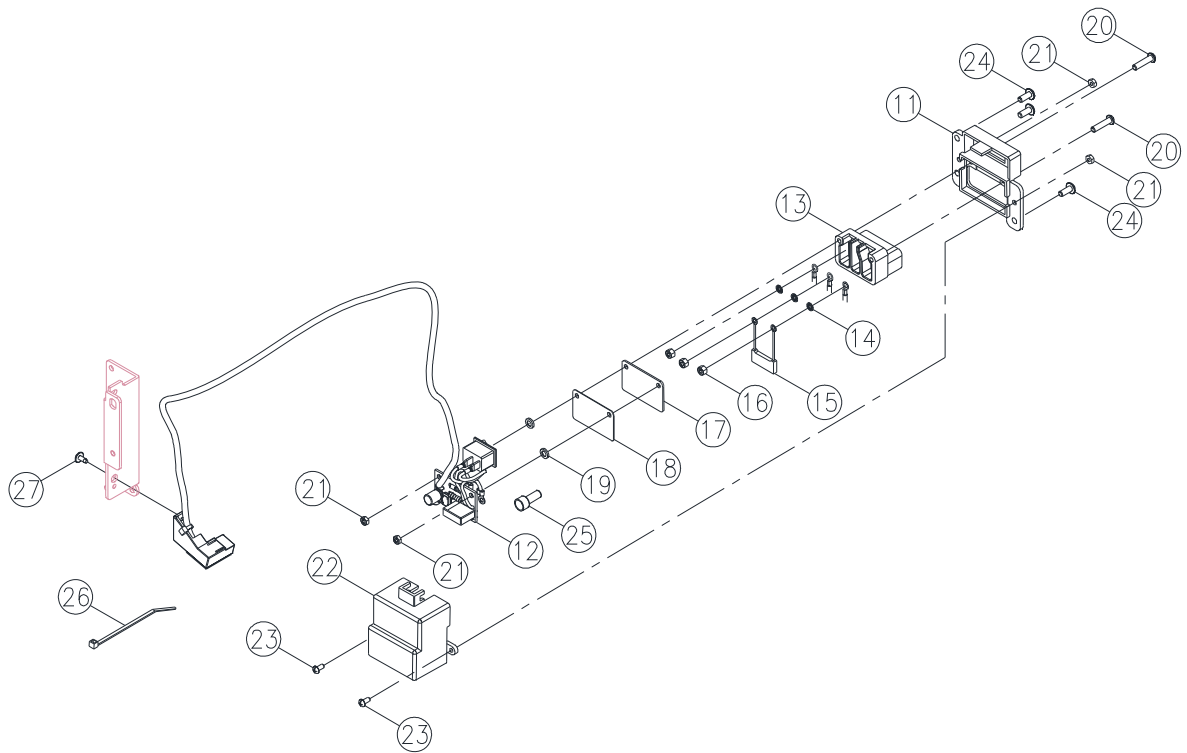
PREFISSO "ZS"

PREFISSO "ZS"

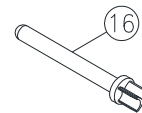
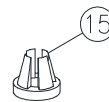
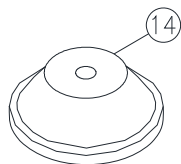
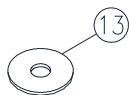
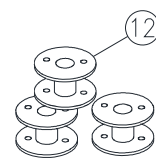
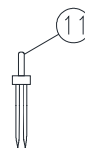
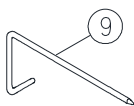
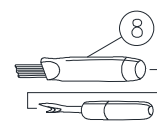
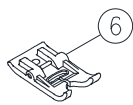
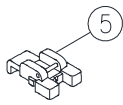
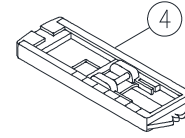
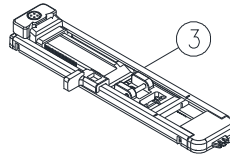
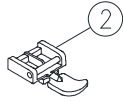
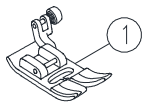
L. HOOK & LOWER SHAFT COMPONENTS



M. MOTOR & POWER SUPPLY & ELECTRONIC PARTS



N. ACCESSORIES (STANDARD)



ZUÛÎ RP€FI | GE

