

PARTS  
LIST

**NECCHI**

**NL11C**

L8NZLBC01  
Mar. 24, 2021

**PLEASE NOTE:**

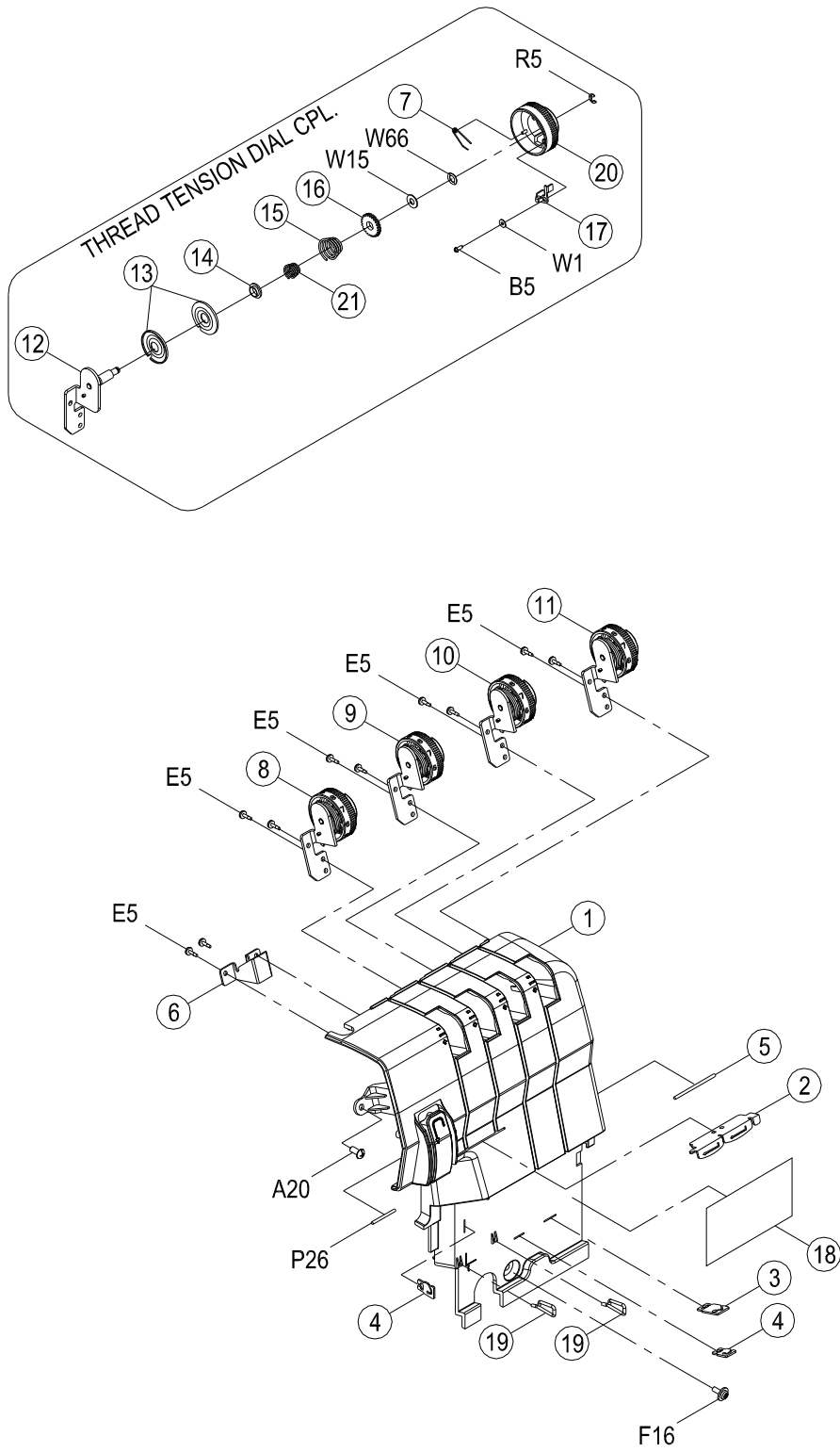
The parts mentioned without number in the parts list are not available.

Take care the parts for the model and the voltage application & spec. you need.

~ LIST OF CONTENTS ~

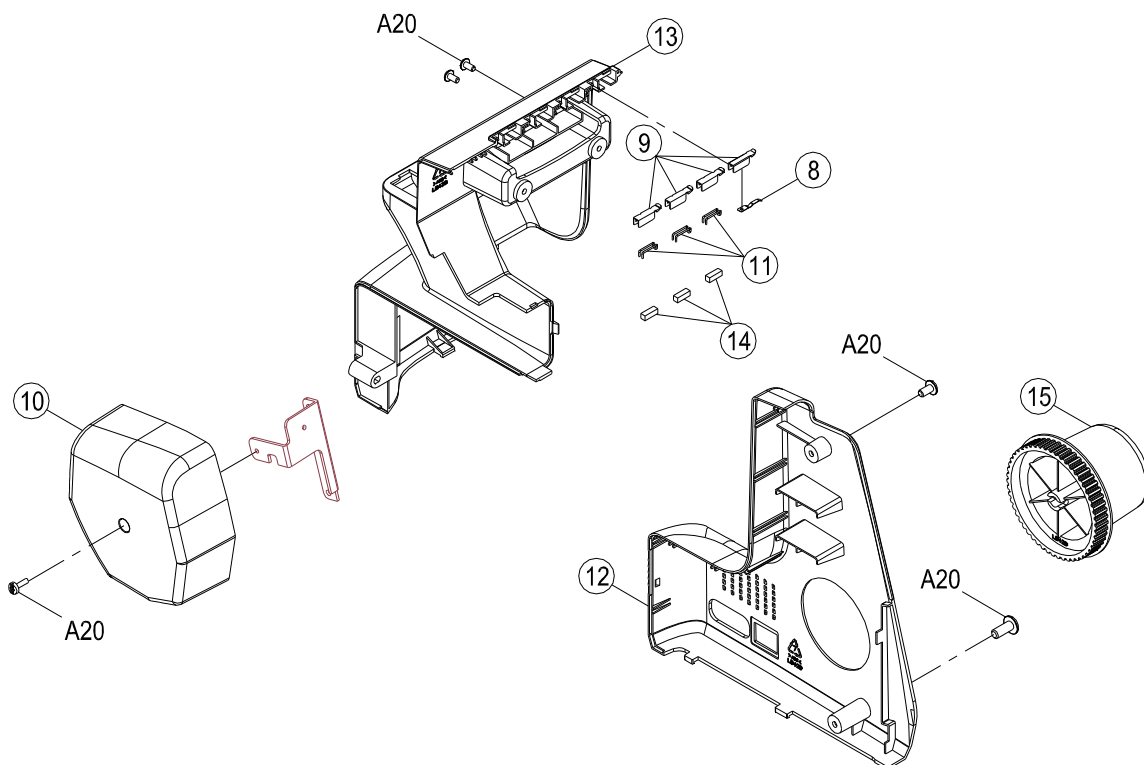
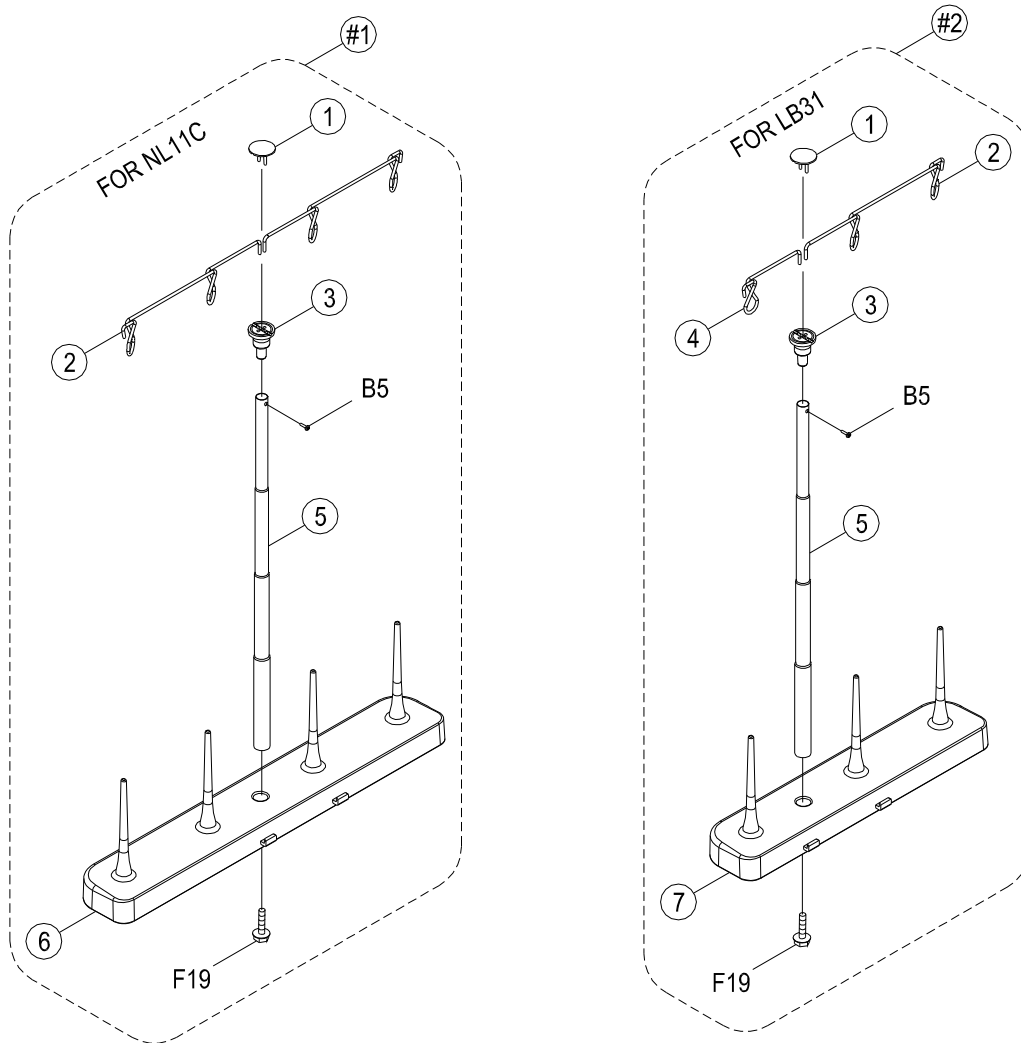
- A. FRONT COVER & THREAD TENSION COMPONENTS
  - B. BACK COVER, SPOOL STAND BASE COMPONENTS
  - C. SEWING TABLE, BASE COVER, SPOOL STAND BASE COMPONENTS
  - D. ARM, FEED MECHANISM
  - E. PATTERN CONTACT MECHANISM
  - F. NEEDLE BAR & PRESSER MECHANISM
  - G. LOWER SHAFT, OVERLOOPER & UNDERLOOPER MECHANISM
  - H. UPPER BLADE & LOWER BLADE MECHANISM
  - I. MOTOR, FOOT CONTROLLER & ELECTRONIC PARTS
  - J. ACCESSORIES
- GENERAL REFERENCE CHART

# A. FRONT COVER & THREAD TENSION COMPONENTS





# B. BACK COVER, SPOOL STAND BASE COMPONENTS

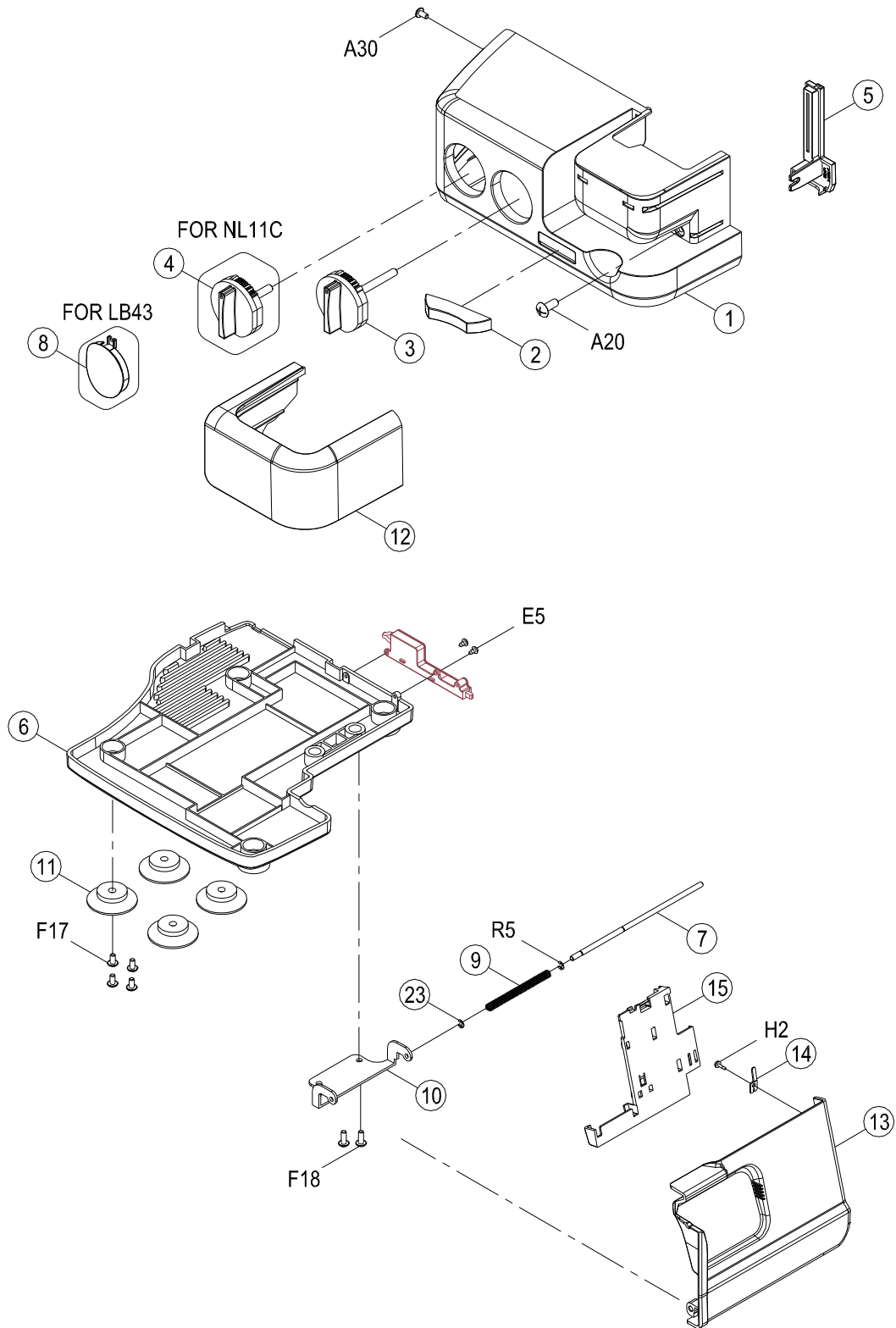


**B.** BACK COVER, SPOOL STAND BASE COMPONENTS

NO.	PART NO.	DESCRIPTION	REMARK
1	LBAZ283210	CAP	
2	LBA1523000	THREAD GUIDE LEVER	
3	LBBZ113210	THREAD GUIDE LEVER BASE	
4			
5	LBB0023000	SPOOL STAND SHAFT	
6	LBBA053210	SPOOL STAND BASE	
7			
8	LBA1863000	THREAD TENSION SPRING	
9	LBA0103000	THREAD RECTIFIER PLATE	
10	LBCZ033643	FACE COVER	
11	LBA0093000	THREAD RECTIFIER WIRE	
12	LBBZ053210	MOTER DRIVE BELT COVER	
13	LBBZ033210	BACK COVER	
14	LBA0083000	THREAD RECTIFIER CUSHION	
15	LBBZ063643	HAND WHEEL	
#1	LBBA054210	HOLDER CPL.	
#2			

PREFISSO "ZS" PREFISSO "ZS"

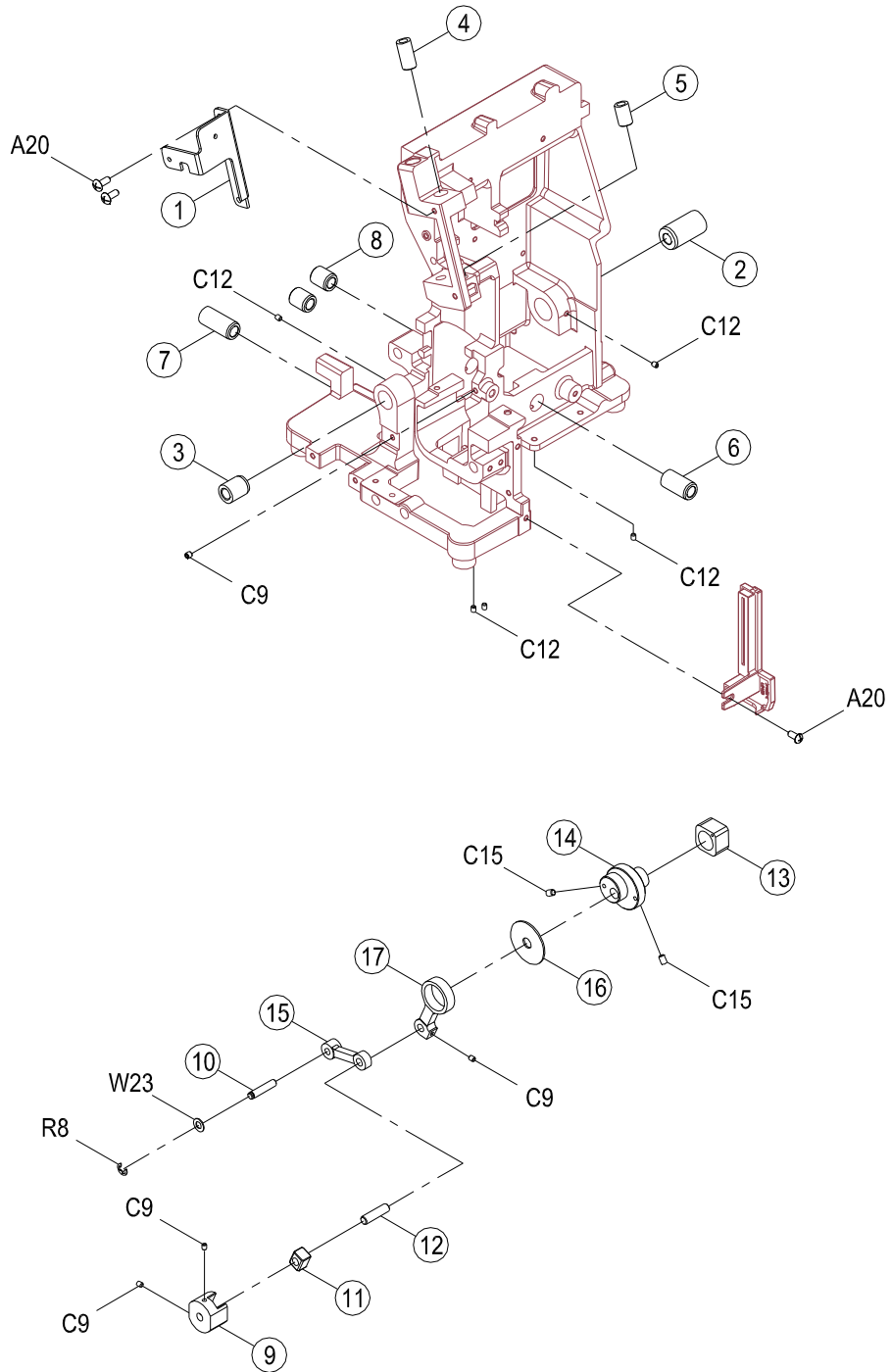
# C. SEWING TABLE, BASE COVER, SPOOL STAND BASE COMPONENTS





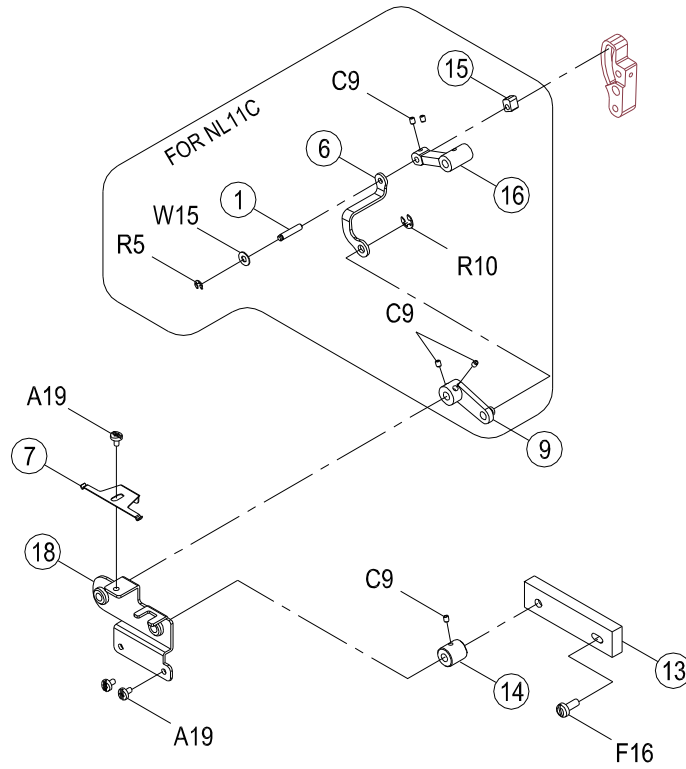
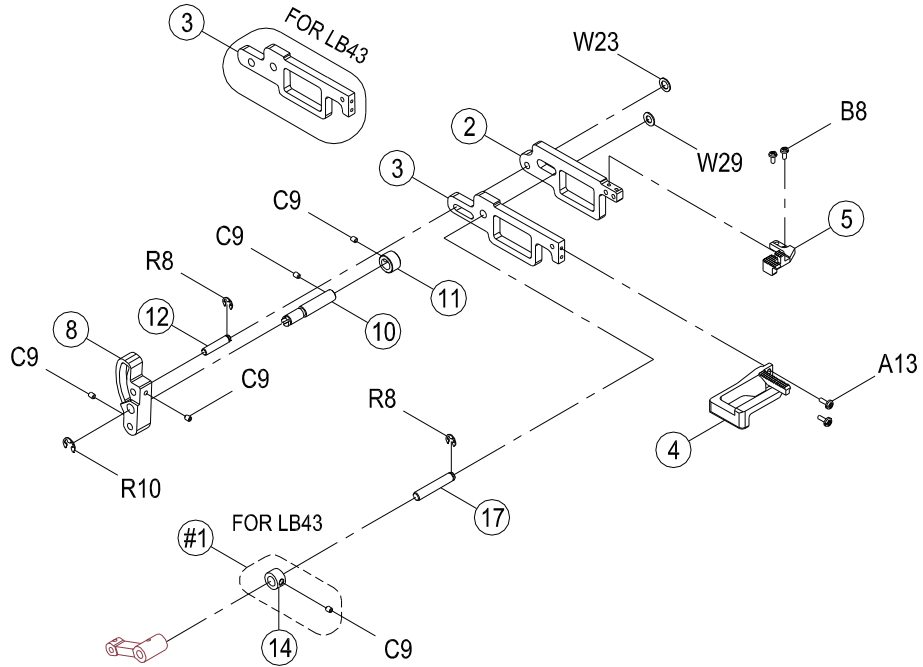


# D. ARM, FEED MECHANISM



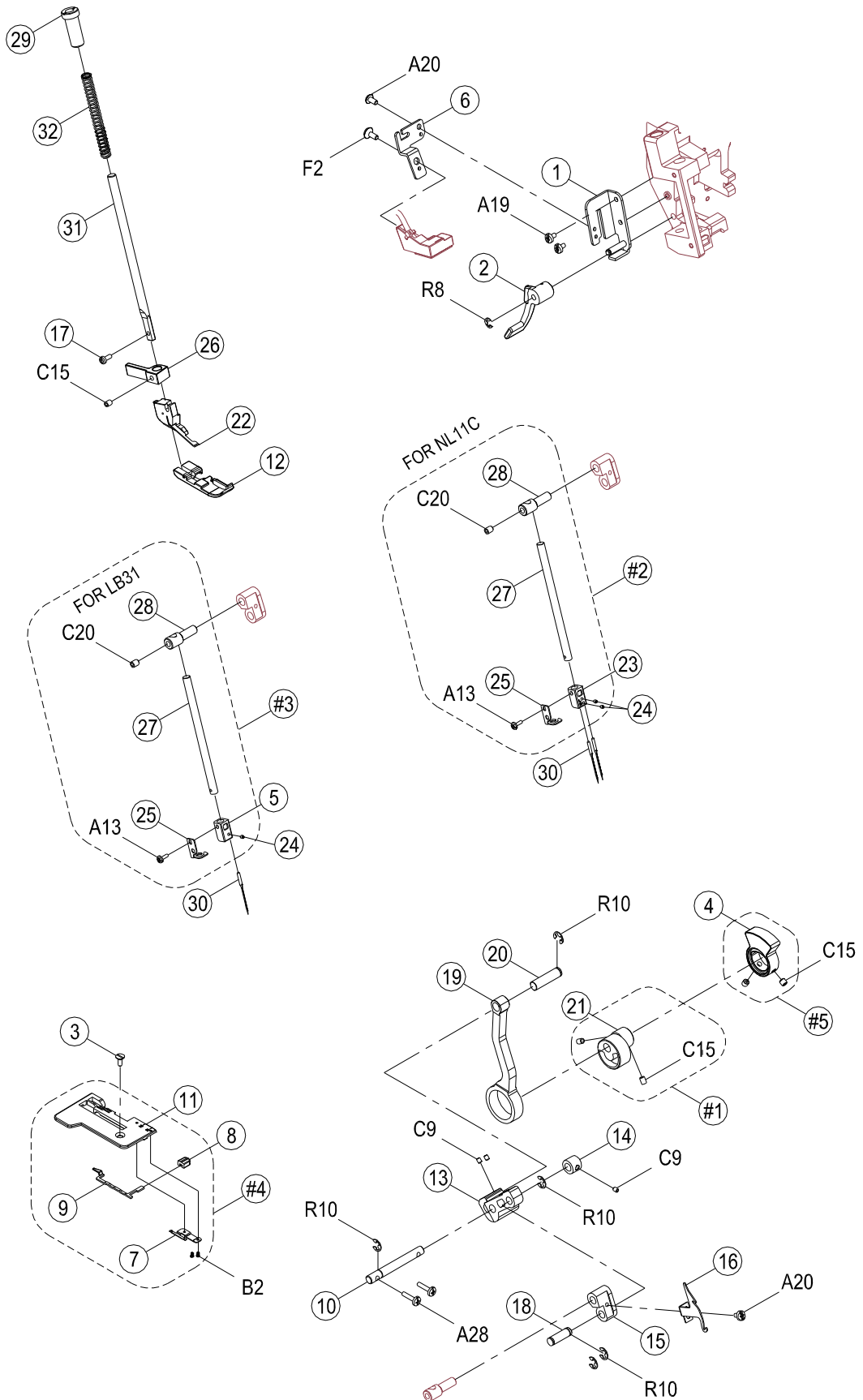


# E. PATTERN CONTACT MECHANISM





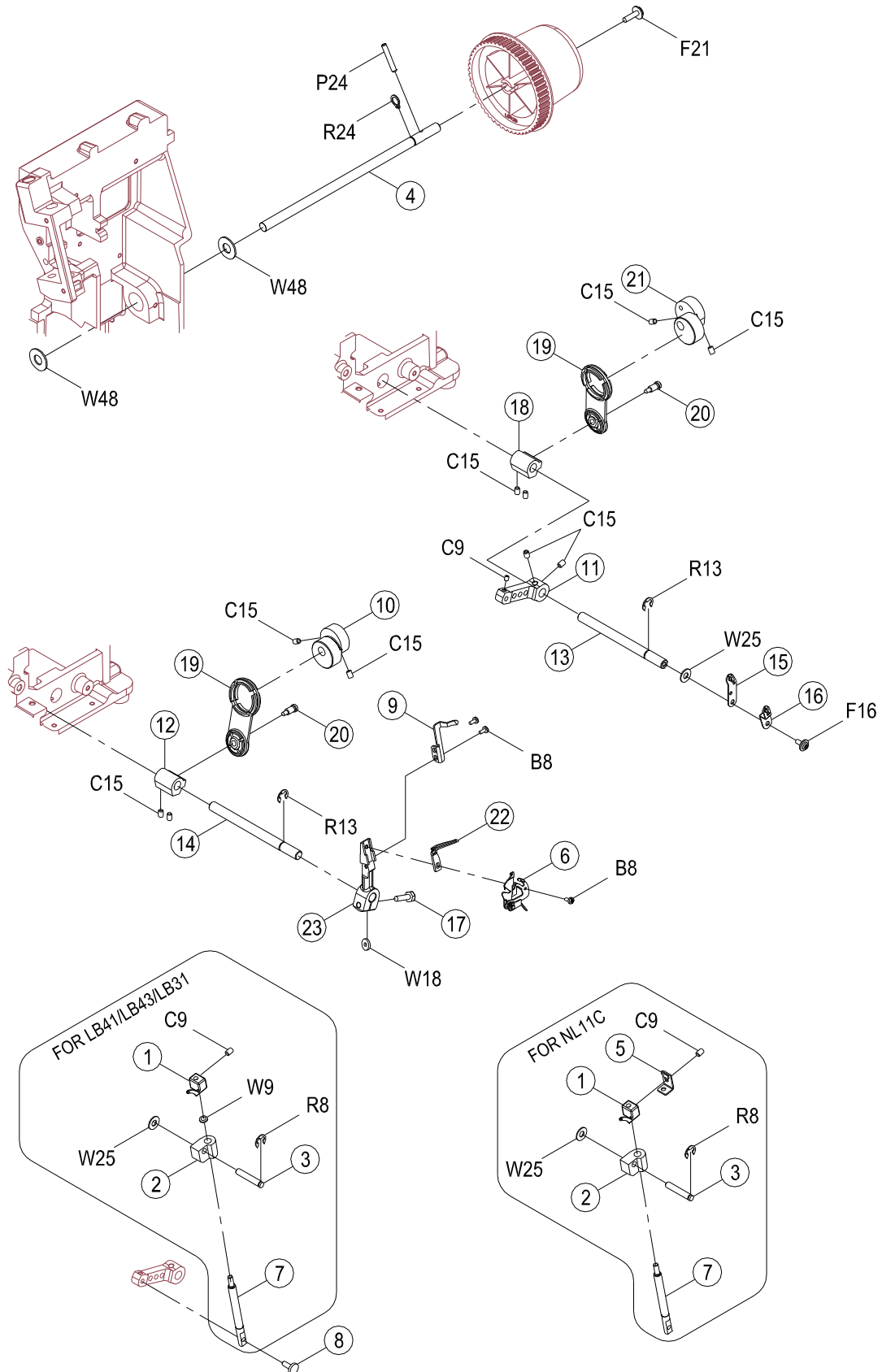
# F. NEEDLE BAR & PRESSER MECHANISM



## F. NEEDLE BAR &amp; PRESSER MECHANISM

NO.	PART NO.	DESCRIPTION	REMARK
1	LBA1985000	PRESSER BAR GUIDE PLATE CPL.	
2	LBA0393000	PRESSER FOOT LIFTER	
3	LBA0493001	SCREW (4.37x40)	
4	LBA2073000	NEEDLE BAR DRIVING CAM	
5			
6	LBA1583008	LED BRACKET	
7	LBA0513003	STITCH PRESSER PLATE	
8	<a href="#">LBA0503210</a>	STITCH LEVER KNOB	
9	LBA0523001	STITCH TONGUE	
10	LBA0383000	NEEDLE BAR SHAFT	
11	LBA0475000	NEEDLE PLATE CPL.	
12	006LBA0001	PRESSER FOOT CPL.	
13	LBA0333000	NEEDLE BAR DRIVING CRANK	
14	LBA1733003	NEEDLE BAR SHAFT COLLAR	
15	LBA0343000	NEEDLE BAR CONNECTING CRANK	
16	LBA0373001	THREAD TAKE-UP PLATE	
17	0042100302	PRESSER FOOT SCREW	
18	LBA0353000	NEEDLE BAR CRANK SHAFT B	
19	LBA0313000	NEEDLE BAR DRIVING ROD	
20	LBA0323000	NEEDLE BAR CRANK SHAFT A	
21	LBA0303000	NEEDLE BAR DRIVING CAM	
22	LBA0534000	PRESSER HOLDER CPL.	
23	LBA1603001	NEEDLE CLAMP	
24	LBA0463003	NEEDLE CLAMP SCREW	
25	LBA0453001	NEEDLE BAR THREAD GUIDE	
26	LBA2013000	PRESSER BAR GUIDE BRACKET	
27	LBA0433000	NEEDLE BAR	
28	LBA0423000	NEEDLE BAR CONNECTING STUD	
29			
	<a href="#">LBBZ103210</a>	PRESSER ADJUSTING SCREW	
30	006L1A0015	NEEDLE	
31	LBA0563002	PRESSER BAR	
32	LBA0583003	PRESSER BAR SPRING	
#1	LBA0305000	NEEDLE BAR DRIVING CAM CPL.	
#2	LBA0444000	NEEDLE CLAMP CPL.	
#3			
#4	<a href="#">LBA0474210</a>	NEEDLE PLATE CPL.	
#5	LBA2075000	NEEDLE BAR DRIVING CAM CPL.	

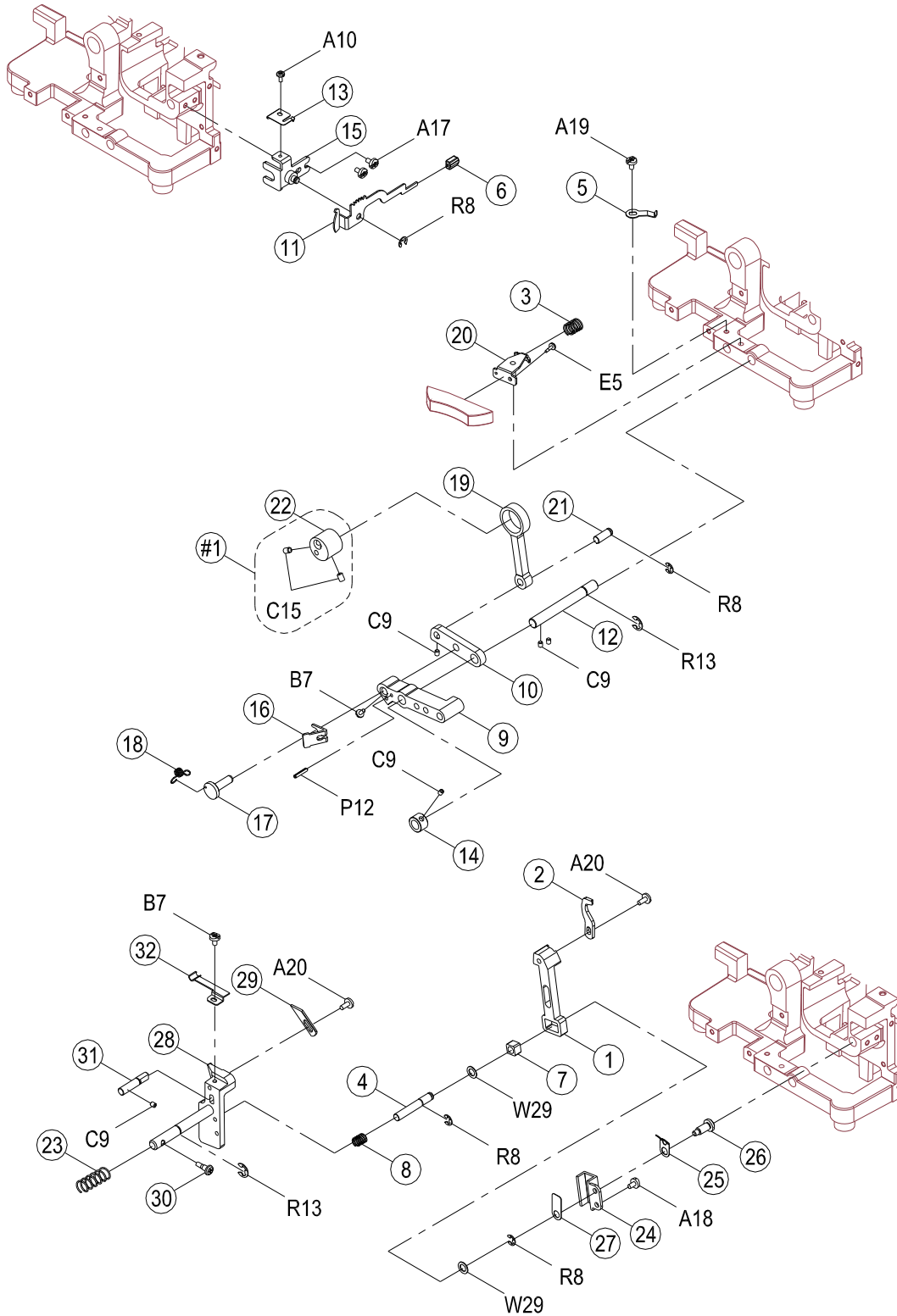
# G. LOWER SHAFT, OVERLOOPER & UNDERLOOPER MECHANISM







# H. UPPER BLADE & LOWER BLADE MECHANISM

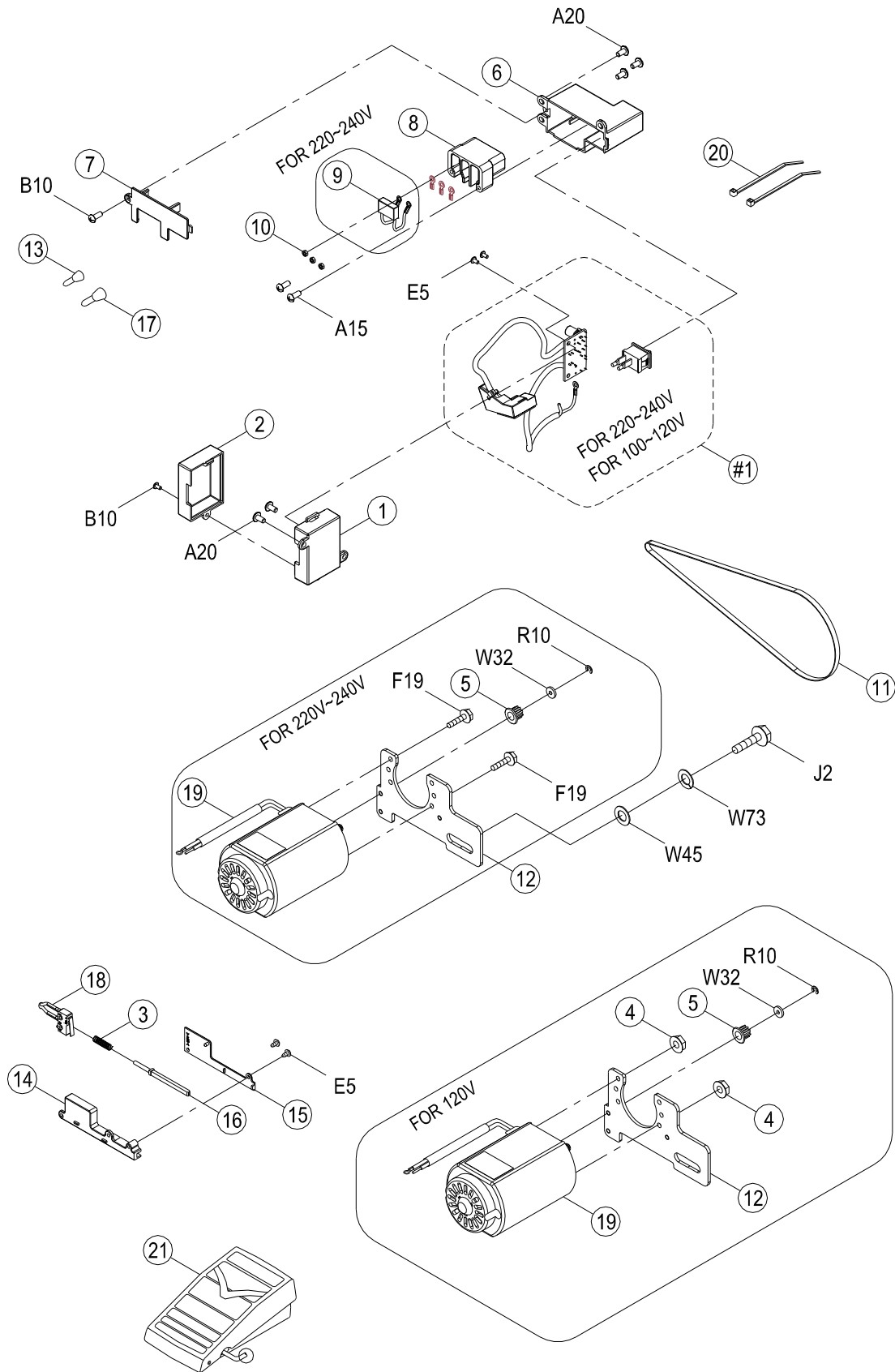


**H. UPPER BLADE & LOWER BLADE MECHANISM**

NO.	PART NO.	DESCRIPTION	REMARK
1	LBA0973000	UPPER BLADE HOLDER	
2	LBA2033000	UPPER BLADE	
3	LBA1263003	RELEASE SPRING	
4	LBA1003000	UPPER BLADE ROD SHAFT	
5	LBA1163003	UPPER BLADE LEVER PLATE	
6	<a href="#">LBA0503210</a>	STITCH LEVER KNOB	
7	LBA1013000	UPPER BLADE BLOCK	
8	LBA1973003	UPPER BLADE HOLDER SPRING	
9	LBA0913000	UPPER BLADE FRAME	
10	LBA0993000	UPPER BLADE ROD B	
11	LBA1763003	LOWER BLADE CONTROL LEVER	
12	LBA0943000	UPPER BLADE CRANK SHAFT	
13	LBA1123003	LOWER BLADE CONTROL SET PLATE	
14	LBA0643003	FEED REGULATING SHAFT COLLAR	
15	LBA1185000	LOWER BLADE CONTROL SUPPORTER CPL.	
16	LBA1433008	UPPER BLADE CANCEL PLATE	
17	LBA1393000	UPPER BLADE CONNECT SHAFT	
18	LBA1443003	RELEASE PLATE SPRING	
19	LBA0893000	UPPER BLADE ROD A	
20	LBA1155000	UPPER BLADE CANCEL PLATE CPL.	
21	LBA0903000	UPPER BLADE LINK SHAFT	
22	LBA0883000	UPPER BLADE ECCENTRIC WHEEL	
23	LBA1173003	LOWER BLADE SPRING	
24	LBA1143001	UPPER BLADE HOLDER GUIDE	
25	LBA1413003	UPPER BLADE PLATE SPRING B	
26	LBA1423003	SCREW	
27	LBA1403003	UPPER BLADE PLATE SPRING A	
28	LBA2085000	LOWER BLADE HOLDER CPL.	
29	LBA1113000	LOWER BLADE	
30	LBA1213003	SCREW	
31	LBA1133000	LOWER BLADE GUIDE SHAFT	
32	LBA1383003	LOWER BLADE NEEDLE GUARD	
#1	LBA0885000	UPPER BLADE ECCENTRIC WHEEL CPL.	

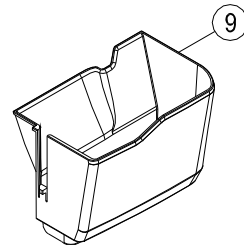
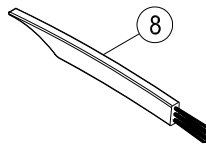
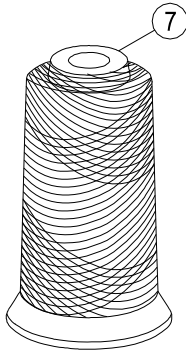
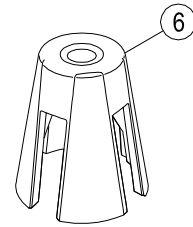
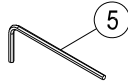
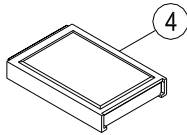
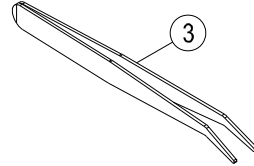
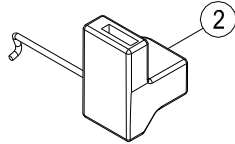
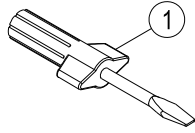
**PREFISSO "ZS"** **PREFISSO "ZS"**

# I. MOTOR, FOOT CONTROLLER & ELECTRONIC PARTS








# J. ACCESSORIES











# GENERAL REFERENCE CHART 1




NO.	PART NO.	DESCRIPTION	NO.	PART NO.	DESCRIPTION
<b>A</b>	PAN HEAD SCREWS (L)		B12	004230126	M3*0.5*L8
			B13	004230286	M3*0.5*L8
A1	0042200046	M2*0.4*L3.5	B14	004230336	M3*0.5*L10
A2	004225106	M2.5*0.45*L3	B15	004230316	M3*0.5*L10
A3	004225068	M2.5*0.45*L3	B16	0042300056	M3*0.5*L12
A4	0042300508	M3*0.5*L3.5	B17	004230326	M3*0.5*L12
A5	0042300066	M3*0.5*L4	B18	0042300076	M3*0.5*L12
A6	0042300062	M3*0.5*L4	B19	0042300706	M3*0.5*L12.7
A7	004230706	M3*0.5*L5	B20	004230646	M3*0.5*L16.7
A8	004230702	M3*0.5*L5	B21	0042300326	M3*0.5*L22
A9	004230016	M3*0.5*L6	B22	004230296	M3*0.5*L22
A10	004230012	M3*0.5*L6	B23	004230356	M3*0.5*L25
A11	004230211	M3*0.5*L8	B24	004230656	M3*1.06*L16
A12	0042300126	M3*0.5*L8	B25	0042400012	M4*0.7*L4
A13	0042300122	M3*0.5*L8	B26	004240676	M4*0.7*L5
A14	004230606	M3*0.5*L10	B27	004240056	M4*0.7*L6
A15	004230556	M3*0.5*L18	B28	004240016	M4*0.7*L8
A16	004235016	M3.5*0.6*L8	B29	004240066	M4*0.7*L8
A17	004241036	M4*0.7*L6	B30	004240306	M4*0.7*L10
A18	0042401102	M4*0.7*L6	B31	004240046	M4*0.7*L10
A19	004240106	M4*0.7*L8	B32	004240526	M4*0.7*L12
A20	004240102	M4*0.7*L8	B33	004240136	M4*0.7*L12
A21	004241046	M4*0.7*L10	B34	004240286	M4*0.7*L13
A22	004240782	M4*0.7*L11.5	B35	004240186	M4*0.7*L15
A23	004241061	M4*0.7*L12	B36	004240146	M4*0.7*L15
A24	004241056	M4*0.7*L12	B37	004240746	M4*0.7*L18
A25	004240896	M4*0.7*L15	B38	004240086	M4*0.7*L20
A26	004240751	M4*0.7*L15	B39	0042415208	M4*0.7*L22
A27	004240466	M4*0.7*L15	B40	004240376	M4*0.7*L25
A28	0042401002	M4*0.7*L15	B41	004250158	M5*0.8*L10
A29	004241386	M4*0.7*L20	B42	004250146	M5*0.8*L12
A30	004241102	M4*0.7*L25	B43	004106162	SM9/64-40*L16
A31	004106202	SM9/64-40*L7	B44	004106371	SM9/64-40*L18
			B45	004106378	SM9/64-40*L18
			B46	004107063	SM11/64-40*L12
<b>B</b>	PAN HEAD SCREWS (S)		<b>C</b>	SET SCREWS	
B2	0042200302	M2*0.4*L2.5	C2	004230203	M3*0.5*L4
B3	004220046	M2*0.4*L4	C3	004230483	M3*0.5*L4
B4	004220112	M2*0.4*L7.5	C4	004230573	M3*0.5*L6
B5	0042200102	M2*0.63*L6	C5	004230443	M3*0.5*L15
B6	004225096	M2.5*0.45*L5	C6	004240633	M4*0.7*L12
B7	004230056	M3*0.5*L5	C7	0042415603	M4*0.7*L16
B8	004230052	M3*0.5*L5	C8	0042415403	M4*0.7*L16
B9	004230086	M3*0.5*L6	C9	004240503	M4*0.7*L4
B10	004230082	M3*0.5*L6	C10	004240033	M4*0.7*L5
B11	004230872	M3*0.5*L8			

## GENERAL REFERENCE CHART 2


NO.	PART NO.	DESCRIPTION	NO.	PART NO.	DESCRIPTION
C11	0042415103	M4*0.7*L6	<b>F</b>	<b>WASHER HEAD SCREWS</b>	
C12	004240223	M4*0.7*L6			
C13	004240943	M4*0.7*L8	F1	004231016	M3*0.5*L5
C14	004241093	M4*0.7*L9	F2	0042300016	M3*0.5*L5
C15	004250203	M5*0.8*L5	F3	004230816	M3*0.5*L6
C16	004250193	M5*0.8*L6	F4	004230786	M3*0.5*L7
C17	004250363	M5*0.8*L8	F5	004230796	M3*0.5*L8
C18	0042500473	M5*0.8*L8	F6	0042300116	M3*0.5*L10
C19	004260023	M6*1.0*L5	F7	004230746	M3*0.5*L12
C20	0042600103	M6*1.0*L6	F8	004230776	M3*0.5*L12
C21	004111043	SM1/4-40*L3.3	F9	004240586	M4*0.7*L8
C22	004106053	SM9/64-40*L11	F10	0042400286	M4*0.7*L10
C23	004107293	SM11/64-40*L4	F11	004240826	M4*0.7*L12
			F12	004240546	M4*0.7*L12
			F13	004240545	M4*0.7*L12
			F14	004240806	M4*0.7*L16
			F15	0042500016	M5*0.8*L10
			F16	004240582	M4*0.7*L8
<b>D</b>	<b>FLAT HEAD SCREWS</b>		F17	0042400802	M4*0.7*L12
D1	004220203	M2*0.4*L4	F18	0042414602	M4*0.7*L25
D2	004230146	M3*0.5*L6	F19	0042414508	M4*0.7*L11
D3	004230666	M3*0.5*L6	F20	004250426	M5*0.8*L10
D4	004240176	M4*0.7*L6	F21	0042500456	M5*0.8*L15
D5	004103043	SM3/32-56*L3.7	F22	0042500102	M5*0.8*L15
<b>E</b>	<b>TRUSS HEAD SCREWS</b>		<b>G</b>	<b>SEMS SCREWS</b>	
E1	004220056	M2*0.4*L2.5	G1	0042500096	M5*0.8*L12
E2	0042200016	M2*0.4*L3	G2	0042504708	M5*0.8*L12
E3	0042200026	M2*0.4*L3.5			
E4	0042300026	M3*0.5*L6			
E5	004230216	M3*0.5*L8.5			
E6	004230605	M3*0.5*L10	<b>H</b>	<b>CHEESE HEAD SCREWS</b>	
E7	004230536	M3*0.5*L10	H1	004230846	M3*0.5*L8
E8	004230066	M3*0.5*L12	H2	004230842	M3*0.5*L8
E9	004230596	M3*0.5*L16			
E10	004240516	M4*0.7*L6			
E11	004240166	M4*0.7*L8			
E12	004240626	M4*0.7*L10			
E13	004240396	M4*0.7*L10	<b>J</b>	<b>OTHER SCREWS</b>	
E14	004240541	M4*0.7*L20	J1	004111033	SM1/4-40*L4
E15	004250346	M5*0.8*L10	J2	0042800106	M8*1.25*L16
E16	004250086	M5*0.8*L12	J3	0042415308	M4*0.7*L6.5
E17	004260056	M6*1.0*L10			



# GENERAL REFERENCE CHART 3

NO.	PART NO.	DESCRIPTION	NO.	PART NO.	DESCRIPTION
<b>N NUT</b> 			<b>R RING</b> 		
N1	004820012	M2*0.4*1.6	R1	003010026	ETW-2, $\phi 2 \times \phi 5 \times 0.4$
N2	004830016	M3*0.5*2.3	R2	003010253	ETW-2.5, $\phi 2.5 \times \phi 6 \times 0.4$
N3	0048401508	M4*0.7*2.1	R3	003011033	ETW-3, $\phi 3.2 \times \phi 7 \times 0.5$
N4	004840022	M4*0.7*3	R4	003010033	ETW-3, $\phi 3.2 \times \phi 7 \times 0.6$
N5	004840112	M4*0.7*3.2	R5	003010036	ETW-3, $\phi 3.2 \times \phi 7 \times 0.6$
N6	004850016	M5*0.8*4	R6	003010043	ETW-4, $\phi 4 \times \phi 9 \times 0.6$
N7	0048700108	M7*0.75*2.1	R7	003011043	ETW-4, $\phi 4 \times \phi 9 \times 0.6$
N8	004706013	SM9/64-40*3	R8	003010046	ETW-4, $\phi 4 \times \phi 9 \times 0.6$
N9	0048400070	M4*0.7*2.1	R9	003010053	ETW-5, $\phi 5 \times \phi 11 \times 0.6$
N10	003090043	SPN-4	R10	003010056	ETW-5, $\phi 5 \times \phi 11 \times 0.6$
			R11	003011052	ETW-5, $\phi 5 \times \phi 11 \times 0.6$
			R12	003010063	ETW-6, $\phi 6 \times \phi 12 \times 0.8$
			R13	0030100502	ETW-6, $\phi 6 \times \phi 12 \times 0.8$
			R14	003010073	ETW-7, $\phi 7 \times \phi 14 \times 0.8$
			R15	003010083	ETW-8, $\phi 8 \times \phi 16 \times 0.8$
<b>P PIN</b> 			R16	003010082	ETW-8, $\phi 8 \times \phi 16 \times 0.8$
			R17	003010093	ETW-9, $\phi 9 \times \phi 18 \times 0.8$
P1	0030400053	$\phi 1.5 \times L4$	R18	003020023	CSTW-2, $\phi 1.9 \times \phi 6 \times 0.25$
P2	003041610	$\phi 1.6 \times L10$	R19	003020033	CSTW-3, $\phi 2.8 \times \phi 8 \times 0.25$
P3	003041605	$\phi 1.6 \times L5 \times 0.3$	R20	003020043	CSTW-4, $\phi 3.8 \times \phi 9 \times 0.25$
P4	003042006	$\phi 2 \times L6 \times 0.4$	R21	003020453	CSTW-4.5, $\phi 4.3 \times 10 \times 0.25$
P5	0030400103	$\phi 2 \times L7 \times 0.4$	R22	003020053	CSTW-5, $\phi 4.8 \times \phi 10 \times 0.25$
P6	003042008	$\phi 2 \times L8 \times 0.4$	R23	003020583	CSTW-6, $\phi 5.8 \times \phi 11 \times 0.25$
P7	0030400203	$\phi 2 \times L12 \times 0.5$	R24	0030100303	GTW-8, $\phi 7.4 \times \phi 9.7 \times 0.8$
P8	003042014	$\phi 2 \times L14 \times 0.4$	R25	003080052	BETW-5, $\phi 5 \times \phi 11 \times 0.6$
P9	003042508	$\phi 2.5 \times L8 \times 0.5$	R26	0030800013	BETW-7, $\phi 7 \times \phi 14 \times 0.8$
P10	003042510	$\phi 2.5 \times L10 \times 0.5$			
P11	003042512	$\phi 2.5 \times L12 \times 0.5$			
P12	0030400503	$\phi 2.5 \times L14 \times 0.5$			
P13	003042516	$\phi 2.5 \times L16 \times 0.5$			
P14	003043006	$\phi 3 \times L6 \times 0.6$			
P15	003043008	$\phi 3 \times L8 \times 0.6$			
P16	003043010	$\phi 3 \times L10 \times 0.6$			
P17	003043014	$\phi 3 \times L14 \times 0.6$			
P18	003043016	$\phi 3 \times L16 \times 0.6$			
P19	003043018	$\phi 3 \times L18 \times 0.6$			
P20	003043028	$\phi 3 \times L28 \times 0.6$			
P21	003043030	$\phi 3 \times L30 \times 0.6$			
P22	003043524	$\phi 3.5 \times L24 \times 0.75$			
P23	003044008	$\phi 4 \times L8 \times 0.8$			
P24	0030400403	$\phi 4 \times L25$			
P25	0030400020	$\phi 2 \times L11.8$			
P26	003045014	$\phi 2 \times L14.8$			
P27	0030400600	$\phi 2 \times L28$			

# GENERAL REFERENCE CHART 4

NO.	PART NO.	DESCRIPTION	NO.	PART NO.	DESCRIPTION
<b>W</b> WASHER 			W51	004400180	⌀5.7*⌀10.5*0.5
			W52	0044000200	⌀6.2*⌀9.6*0.25
W1	0043001306	⌀2.2*⌀6*0.5	W53	0044000840	⌀6.2*⌀9.6*0.5
W2	004301068	⌀3.2*⌀6*0.5	W54	0044000020	⌀6.2*⌀12*0.25
W3	004300676	⌀3.2*⌀8*0.8	W55	004400260	⌀6.2*⌀14*0.13
W4	004300976	⌀3.2*⌀10.5*0.5	W56	004400190	⌀6.2*⌀14*0.5
W5	0043003102	⌀3.6*⌀8*1	W57	004400230	⌀6.7*⌀11.8*0.25
W6	004300096	⌀4*⌀8*0.5	W58	004400570	⌀6.7*⌀11.8*0.5
W7	0043000016	⌀4*⌀10*0.4	W59	0044000800	⌀7.6*⌀12*0.13
W8	004301078	⌀4.1*⌀8*0.5	W60	004400410	⌀8.2*⌀12*0.25
W9	004300926	⌀4.1*⌀8*1	W61	0044000830	⌀8.2*⌀12*0.5
W10	004300136	⌀4.2*⌀8*0.8	W62	004400210	⌀8.2*⌀16*0.5
W11	004301146	⌀4.2*⌀8*1	W63	004400080	⌀10.2*⌀15*0.5
W12	004300076	⌀4.2*⌀9*0.5	W64	0044000300	⌀12.2*⌀18*0.5
W13	0043420016	⌀4.2*⌀10*0.3	W65	0045520010	⌀5.3*⌀9.5*1*0.15
W14	004300986	⌀4.2*⌀10*0.5	W66	004500360	⌀5.4*⌀9*1.5*0.3
W15	0043000503	⌀4.5*⌀10*0.6	W67	004500670	⌀6.4*⌀11*1*0.15
W16	004300202	⌀4.5*⌀10*0.8	W68	004500600	⌀6.5*⌀10.5*1.5*0.15
W17	0043000208	⌀5.1*⌀9.5*0.4	W69	004500500	⌀10.5*⌀14.5*2*0.3
W18	0043002503	⌀5.2*⌀8.5*0.8	W70	004900063	⌀6.2*⌀12*2.0*0.15
W19	004300713	⌀5.2*⌀10*0.2	W71	004600026	⌀4.2*⌀7.2*1.2
W20	004300643	⌀5.2*⌀10*0.5	W72	004600296	⌀5.1*⌀9.2*1.3
W21	004300733	⌀5.2*⌀12*1	W73	0046000106	⌀8.2*⌀15.4*2
W22	004300586	⌀5.2*⌀16*1.0			
W23	0043000603	⌀5.3*⌀10*0.6			
W24	004300306	⌀5.4*⌀10*0.9			
W25	0043000803	⌀5.5*⌀12*0.8			
W26	004300633	⌀6.2*⌀10.5*1			
W27	004300233	⌀6.2*⌀11*0.5			
W28	004300186	⌀6.2*⌀12*0.5			
W29	0043000703	⌀6.2*⌀12*1.6			
W30	004300493	⌀6.2*⌀14*3			
W31	004300156	⌀6.4*⌀13*1			
W32	0043001403	⌀6.4*⌀17*0.8			
W33	004300946	⌀6.5*⌀11*0.4			
W34	004300043	⌀6.5*⌀13*1			
W35	004300813	⌀6.6*⌀14*1			
W36	004300333	⌀6.7*⌀12*0.5			
W37	004300123	⌀6.7*⌀12*1			
W38	004300113	⌀6.7*⌀14*0.8			
W39	0043002908	⌀7.2*⌀12*0.4			
W40	004300843	⌀7.2*⌀12*1.0			
W41	004300823	⌀8.1*⌀16*0.2			
W42	004300936	⌀8.2*⌀12*0.5			
W43	004300863	⌀8.2*⌀14*0.5			
W44	004300226	⌀8.2*⌀16*1.0			
W45	0043001106	⌀8.5*⌀16*1.6			
W46	004300853	⌀10.2*⌀15*0.5			
W47	0043002703	⌀10.2*⌀20*1.0			
W48	0041000100	⌀14*⌀8.1*0.25			
W49	0044000400	⌀3.18*⌀5.5*0.5			
W50	004400450	⌀5.5*⌀12*0.25			