

PARTS
LIST

NECCHI

NCH05AX

N300CHA02
Sep. 3, 2019

PLEASE NOTE:

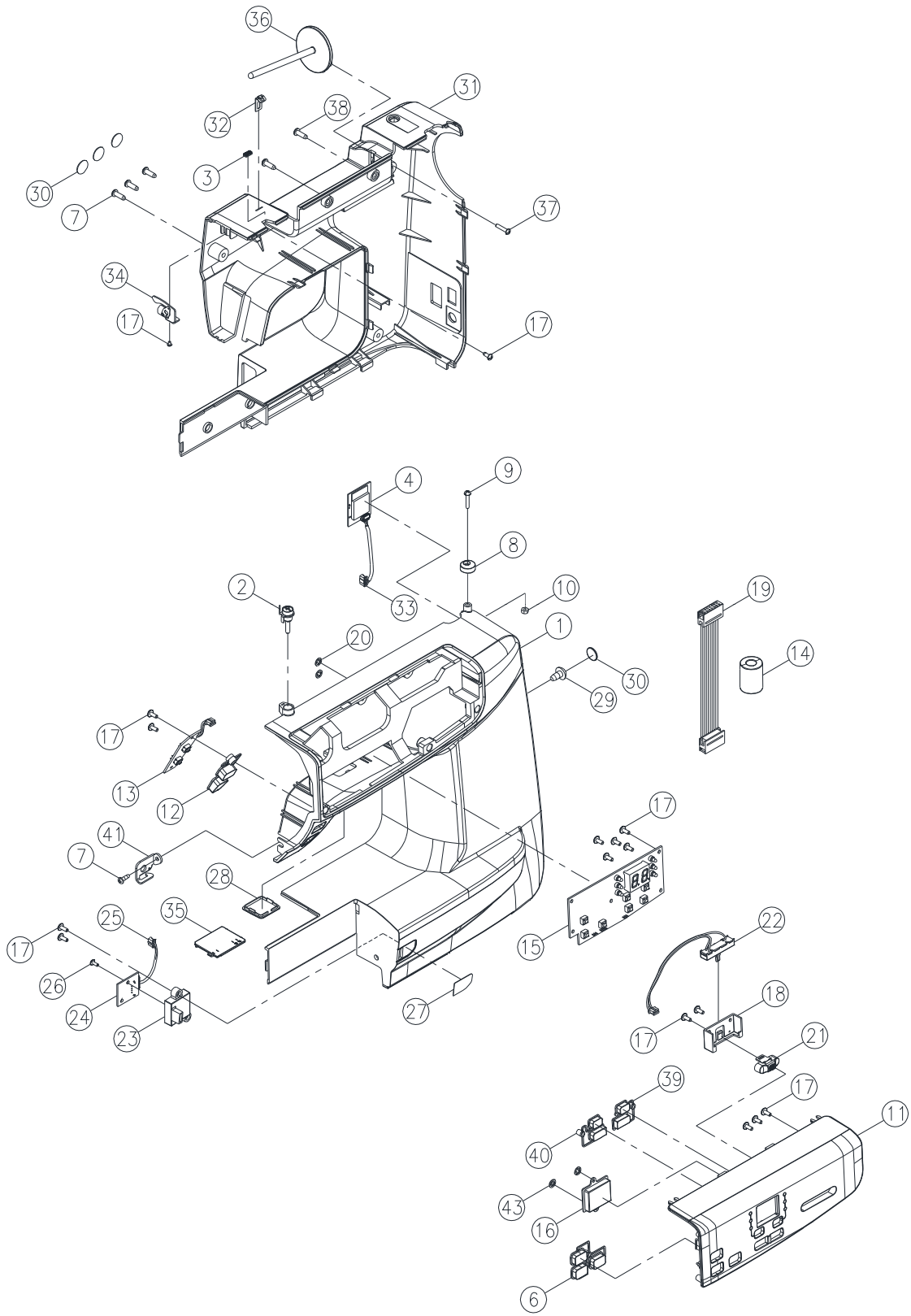
The parts mentioned without number in the parts list are not available.

Take care the parts for the model and the voltage application & spec. you need.

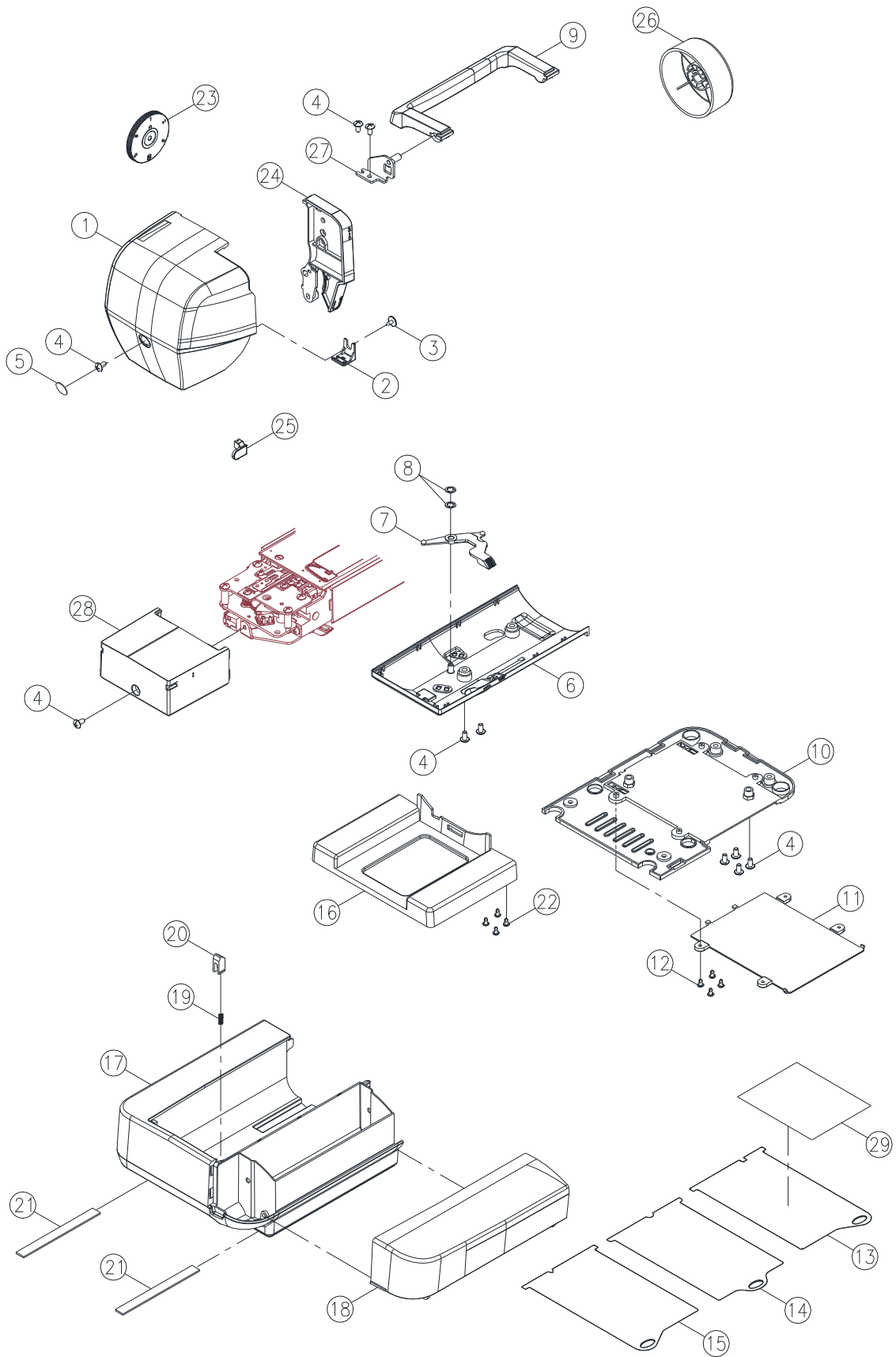
~ LIST OF CONTENTS ~

- A. PRINCIPAL COVER COMPONENTS 1
- B. PRINCIPAL COVER COMPONENTS 2
- C. UPPER SHAFT COMPONENTS
- D. PRESSER & NEEDLE PLATE MECHANISM
- E. NEEDLE BAR & ZIGZAG MECHANISM
- F. THREAD CUTTER COMPONENTS
- G. THREAD TENSION MECHANISM
- H. BOBBIN WINDER & BH MECHANISM
- I. FEED MECHANISM
- J. FEED ADJUSTMENT MECHANISM
- K. HOOK & LOWER SHAFT COMPONENTS
- L. MOTOR, POWER SUPPLY & ELECTRONIC PARTS
- M. EMBROIDERY COMPONENTS
- N. X CARRIAGE COMPONENTS
- O. Y CARRIAGE COMPONENTS
- P. ACCESSORIES (STANDARD)

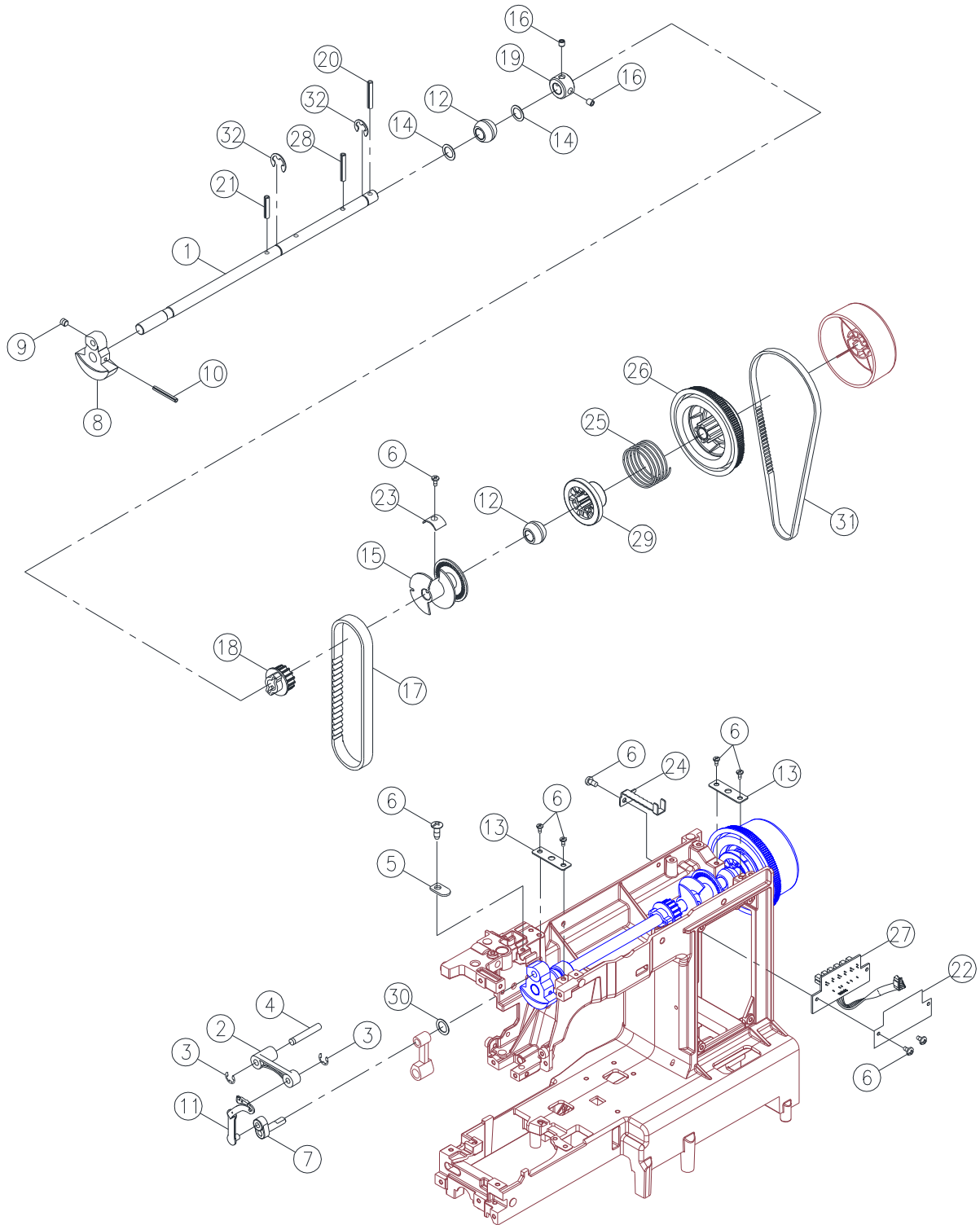
A. PRINCIPAL COVER COMPONENTS 1



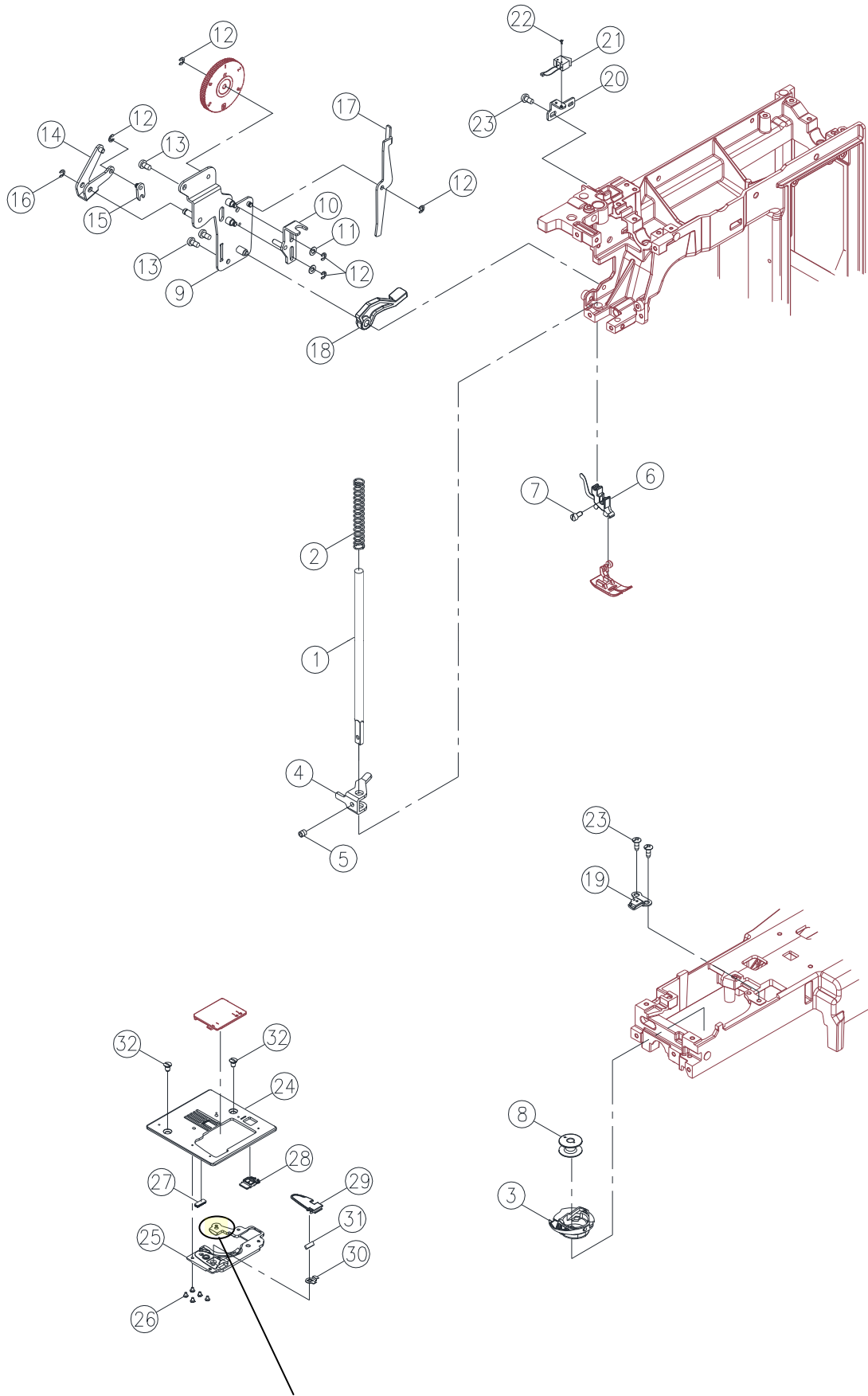
B. PRINCIPAL COVER COMPONENTS 2



C. UPPER SHAFT COMPONENTS



D. PRESSER & NEEDLE PLATE MECHANISM



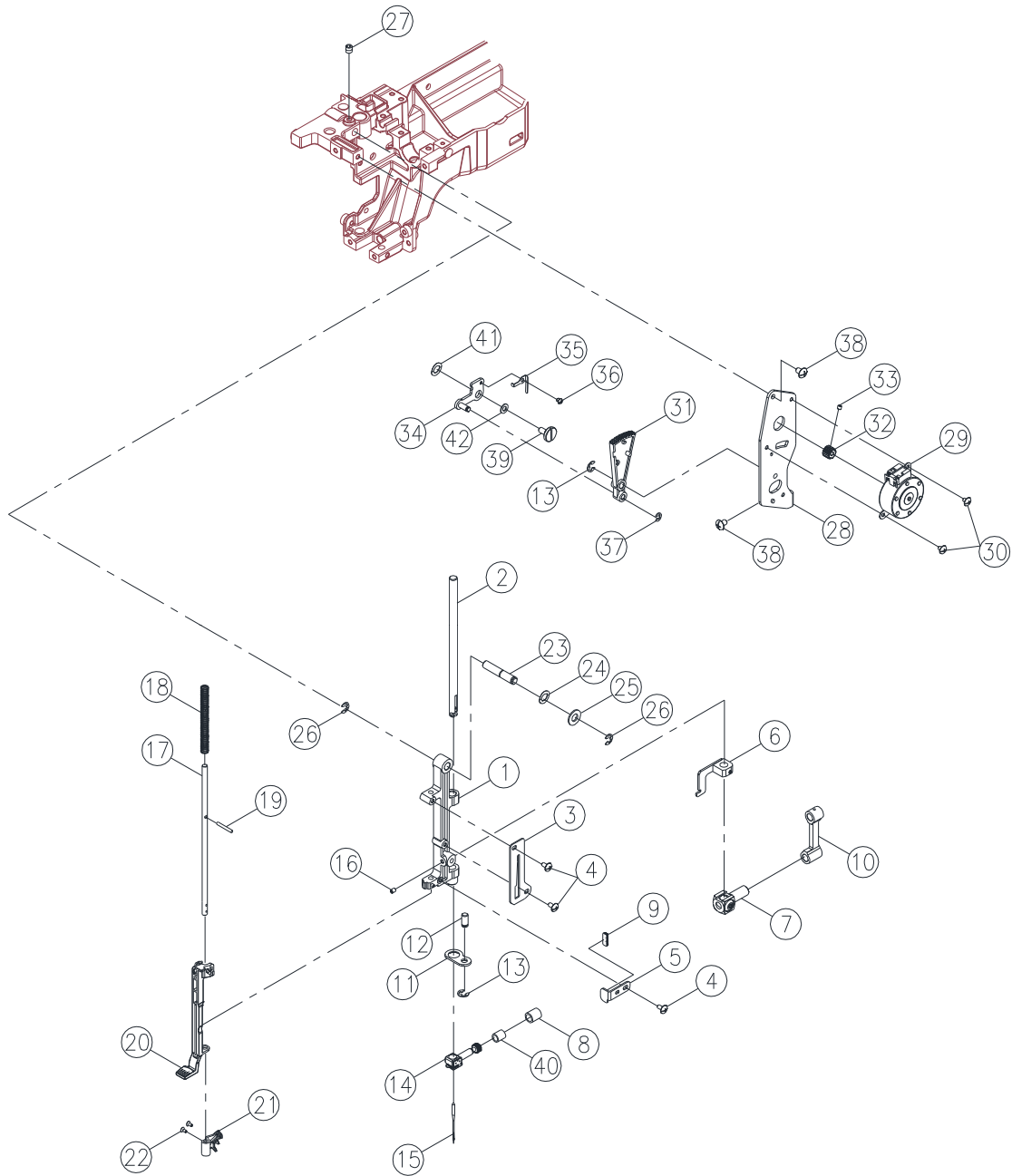
ZSH7A1283002 SKIPPING PLATE NC

D. PRESSER & NEEDLE PLATE MECHANISM

NO.	PART NO.	DESCRIPTION	REMARK
1	V70153002	PRESSER BAR	
2	CHA0913003	PRESSER BAR SPRING	
3	H7A0644000	SHUTTLE HOOK ASSEMBLY	
4	H1B0183003	PRESSER BAR BRACKET	
5	004240223	SET SCREW (M4x6 C)	
6	006187008	SHANK CPL.	
7	004106221	SET SCREW (9/64x40x7)	
8	006H1B0001	BOBBIN	
9	CHA0695000	CLAMP PLATE CPL.	
10	CHA0875000	ADJUSTING PLATE CPL.	
11	004301078	WASHER (4.1x8x0.5)	
12	003010036	E-RING (ETW-3)	
13	004240106	SET SCREW (M4x8 A)	
14	CHA0735000	REGULATING CRANK CPL.	
15	CHA0885000	CRANK PLATE CPL.	
16	003010046	E-RING (ETW-4)	
17	CHA0783003	TENSION LEVER LIFTER	
18	CHA0853000	PRESSER BAR LIFTER LEVER	
19	CFA0794000	ROTARY HOOK PLATE CPL.	
20	CHA0793003	PLATE	
21	008H3B0005	MICRO SWITCH	
22	004220112	SET SCREW (M2x0.4xL7.5)	
23	004240056	SET SCREW (M4x6 B)	
24	CHA1053004	NEEDLE PLATE	
25	CJBA163582	NEEDLE PLATE SUPPORTER	
26	0042200016	SET SCREW (M2x3)	
27	H7A0033000	COMB	
28	Q6G0113582	NEEDLE PLATE COVER OPEN	
29	CJBA173582	THREAD GUIDE STAND	
30	H7B0073000	PRESS PLATE	
31	V630593000	THREAD CUTTER	
32	004240851	SET SCREW (M4x6)	

PREFISSO "ZS" PREFISSO "ZS"

E. NEEDLE BAR & ZIGZAG MECHANISM

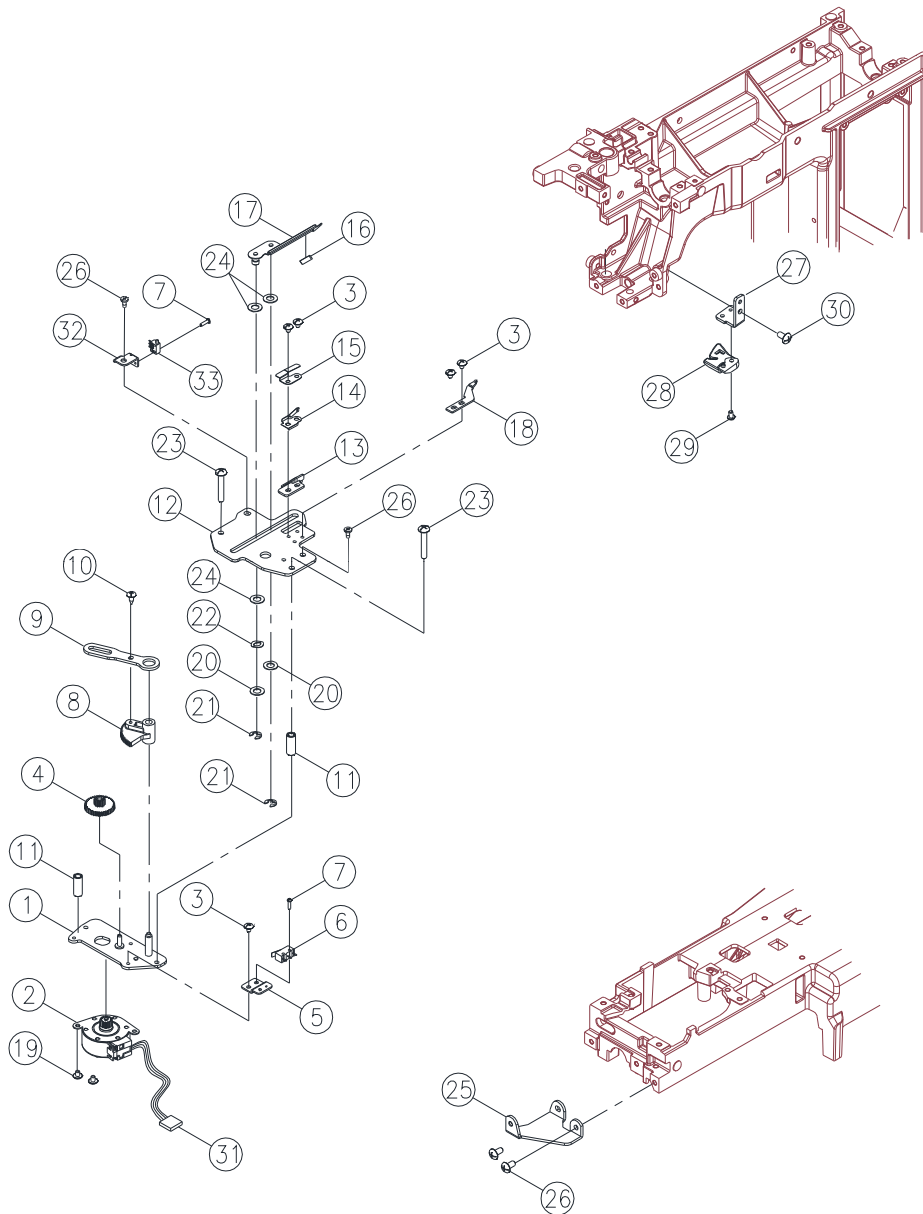


E. NEEDLE BAR & ZIGZAG MECHANISM

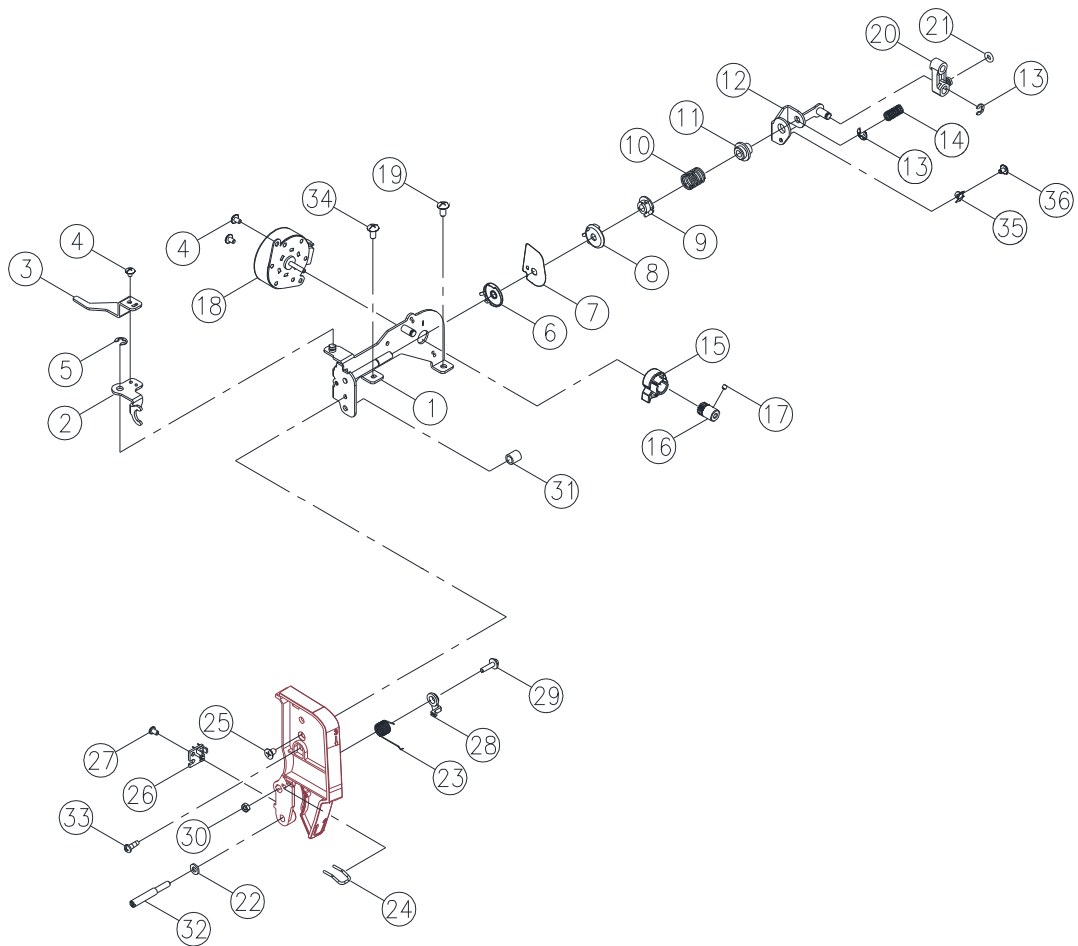
PREFISSO "ZS" PREFISSO "ZS"

NO.	PART NO.	DESCRIPTION	REMARK
1	CHA1343000	NEEDLE BAR SUPPORTER	
2	V70273000	NEEDLE BAR	
3	CHA1423003	THREADING GUIDE	
4	004230016	SET SCREW (M3x6 A)	
5	CHA1513000	PLATE	
6	CAA0364000	THREADING STOPPER CPL.	
7	H10253000	NEEDLE BAR BRACKET CPL.	
8	CHA1633000	STRAW	
9	H7A0033000	COMB	
10	F4A3343000	NEEDLE BAR CRANK ROD	
11	H7A0773003	NEEDLE BAR SUPPORTER	
12	CAA1823000	NEEDLE BAR SUPPORTER PLATE PIN	
13	003010043	E-RING (ETW-4)	
14	CHA1025000	NEEDLE CLAMP CPL.	
15	006K6A0005	NEEDLE (#14)	
16	004230483	SET SCREW (M3x4 C)	
17	CHA1373000	THREADING SHAFT	
18	CHA1483003	THREADING SHAFT SPRING	
19	0030400010	PIN (2x16)	
20	CHA1313000	AUTO THREAD LEVER	
21	CHA1465210	THREADING PLATE CPL.	
22	004220203	SET SCREW (M2x4)	
23	P3A0183000	NEEDLE BAR SUPPORTER PIN	
24	004500670	WASHER (6.4x11x1x0.15)	
25	004300043	WASHER (6.5x13x1)	
26	003010046	E-RING (ETW-4)	
27	004240033	SET SCREW (M4x5 C)	
28	CHA0585000	ZIGZAG PULSE MOTOR PLATE CPL.	
29	001CHA0002	PULSE MOTOR	
30	0042300066	SET SCREW (M3x0.5x4 A)	
31	CHA0543582	ZIGZAG CRANK GEAR	
32	CHA0533000	MOTOR GEAR	
33	004230433	SET SCREW (M3x3)	
34	CHA0555000	ZIG ZAG WIDTH ROD CPL.	
35	CHA0633000	PRING	
36	004225068	SET SCREW (M2.5x3)	
37	003010036	E-RING (ETW-3)	
38	004240106	SET SCREW (M4x8 A)	
39	CHA0643000	NEEDLE BAR DRIVING ROD PIN	
40	CHA0493000	TUBE	
41	0045000203	WASHER (4.5x7.6x0.1)	
42	004400230	WASHER (6.7x11.8x0.25)	

F. THREAD CUTTER COMPONENTS



G. THREAD TENSION MECHANISM

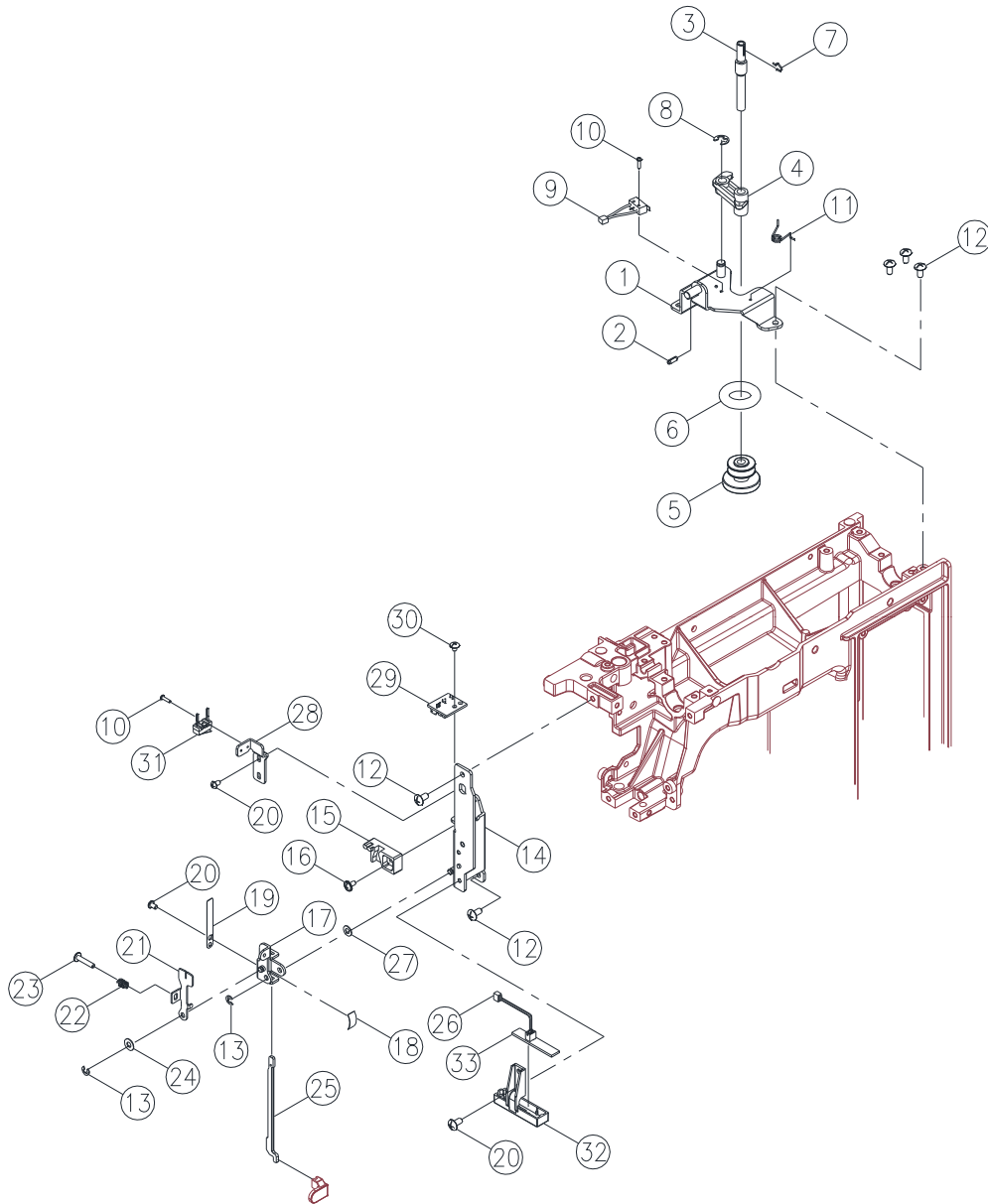


G. THREAD TENSION MECHANISM

PREFISSO "ZS" PREFISSO "ZS"

NO.	PART NO.	DESCRIPTION	REMARK
1	CJA0345000	DIAL TENSION SUPPORTER PLATE CPL.	
2	H7B0253003	DIAL TENSION WAFT PLATE	
3	CHA0703003	DIAL TENSION WAFT TRIMMING PLATE	
4	0042300066	SET SCREW (M3x0.5x4 A)	
5	003010043	E-RING (ETW-4)	
6	J30423001	DIAL TENSION DISC (1)	
7	CHA0993000	DUAL THREAD GUIDE PLATE	
8	E1A2333001	DIAL TESION DISC	
9	R10593000	DIAL TESION SPRING REGULATOR	
10	NB1083000	DIAL TENSION SPRING	
11	K50193000	DIAL TENSION REGULATOR	
12	CJA0595000	DIAL TENSION SPRING PLATE CPL.	
13	003010046	E-RING (ETW-4)	
14	CJA0623000	AUXILIARY SPRING	
15	CJA0613000	DIAL TENSION ADJUSTABLE CAM CPL.	
16	CAA1713000	PULSE MOTOR GEAR	
17	004230433	SET SCREW (M3x3 C)	
18	001D3B1001	PULSE MOTOR	
19	004240056	SET SCREW (M4x6 B)	
20	CJA0603000	DIAL TENSION DRIVE CRANK	
21	CJA0753000	O RING	
22	004300926	WASHER (4.1x8x1)	
23	CFA0993000	DIAL TENSION SPRING	
24	P3A1353001	THREAD GUIDE	
25	004240176	SET SCREW (M4x6 D)	
26	008H3B0002	PHOTOT SENSOR PLATE CPL.	
27	004230082	SET SCREW (M3x6 B)	
28	H1B0443000	UPPER THREAD CRANK	
29	004230776	SET SCREW (M3x0.5x12)	
30	004830016	NUT (M3)	
31	H11103001	DIAL TENSION GUIDE SPRING TUBE	
32	0042415002	SET SCREW	
33	004240146	SET SCREW (M4x15 B)	
34	004230016	SET SCREW (M3x6 A)	
35	CJB0483000	DIAL TENSION SUPPORTER HOLDER PLATE	
36	004230702	SET SCREW (M3x5 A)	

H. BOBBIN WINDER & BH MECHANISM

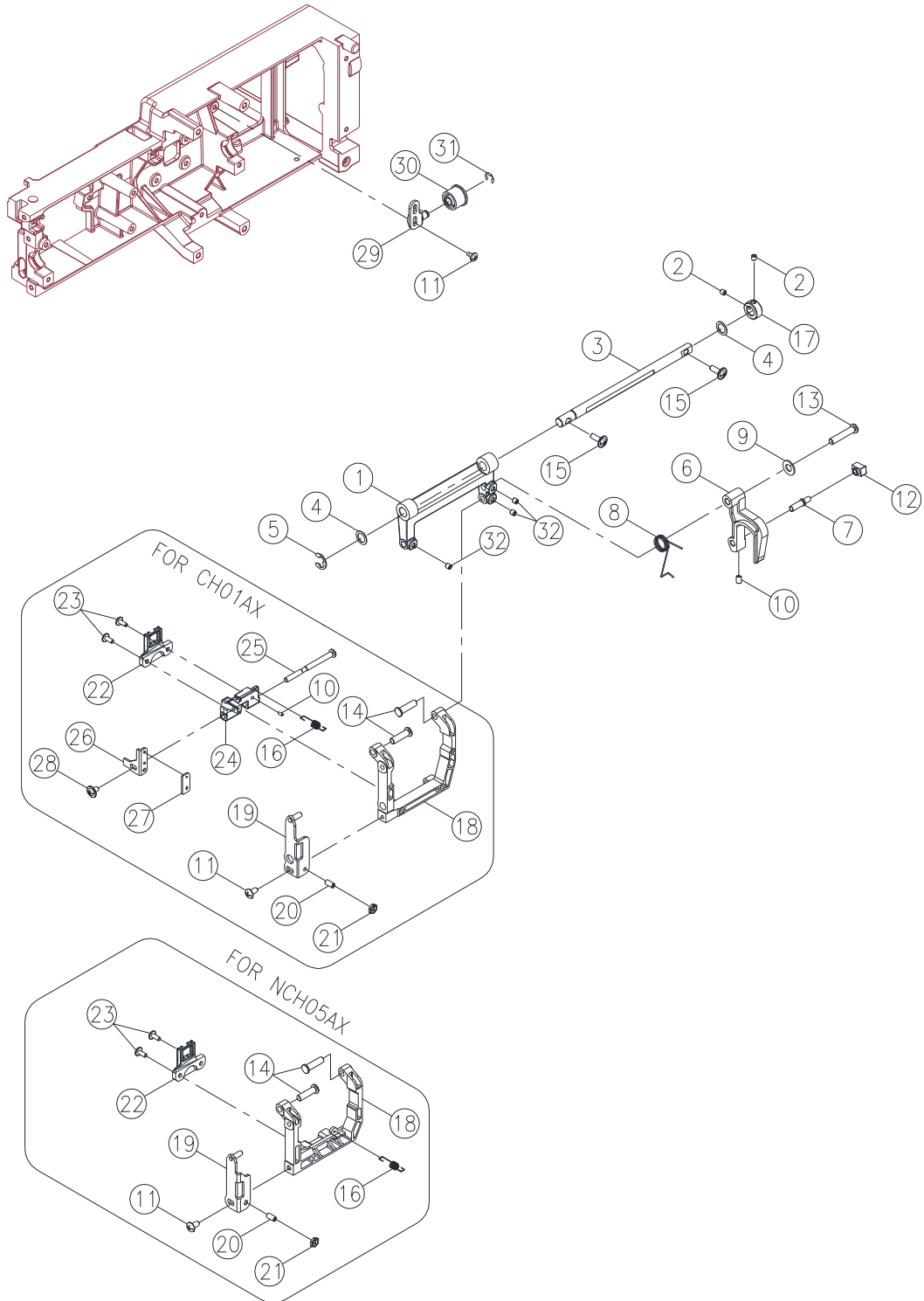


H. BOBBIN WINDER & BH MECHANISM

NO.	PART NO.	DESCRIPTION	REMARK
1	CHA0815000	BOBBIN WINDER FRAME PLATE CPL.	
2	003043008	PIN (3x8x0.6)	
3	K6B0603001	BOBBIN WINDER CRANK	
4	K6A0563000	BOBBIN WINDER CRANK	
5	D5A0633000	BOBBIN WINDER PULLEY	
6	F20213000	BOBBIN WINDER RUBBER PULLEY	
7	F20193000	BOBBIN WINDER CRANK SPRING	
8	003010053	E-RING (ETW-5)	
9	008CAA0011	PRESSER BAR LEVER MICRO SWITCH	
10	004220112	SET SCREW (M2x0.4xL7.5)	
11	H2H0063003	BOBBIN WINDER CRANK SPRING	
12	004240106	SET SCREW (M4x8 A)	
13	003010036	E-RING (ETW-3)	
14	CHA1155000	BH LEVER PLATE CPL.	
15	CHAZ343210	BH MOVEMENT CRANK	
16	004230816	SET SCREW (M3x6)	
17	H7A0425000	BH LEVER CRANK CPL.	
18	E1A1483003	BH SPRING PLATE	
19	CFA1053000	BH LEVER CRANK SPRING	
20	004230056	SET SCREW (M3x5 B)	
21	H7A0413003	PHOTO PLATE	
22	D3B1293003	PULSE SUPPORT SPRING	
23	004230596	SET SCREW (M3x16)	
24	004300096	WASHER (4x8x0.5)	
25	P3C0183002	BH LEVER	
26	008H1A0019	ROW LINE	
27	004300076	WASHER (4.2x9x0.5)	
28	CHA0803003	DIAL TENSION KNOB	
29	008CAA0010	PHOTOT SENSOR CPL. (B/H)	
30	0042300066	SET SCREW (M3x0.5x4 A)	
31	008CHA0008	PRESSER BAR LEVER MICRO SWITCH	
32	CHAZ143031	LED HOLDER	
33	008CHA0034	LED HOLDER BRACKET	

PREFISSO "ZS" PREFISSO "ZS"

I. FEED MECHANISM

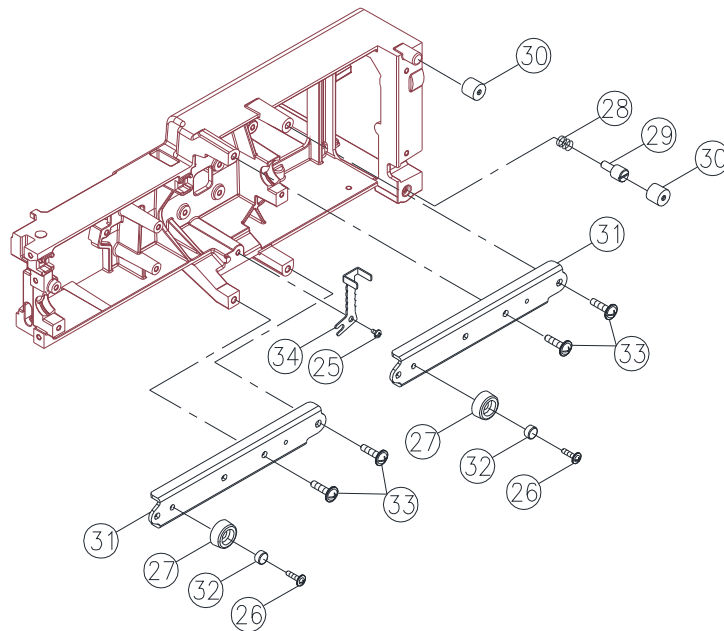
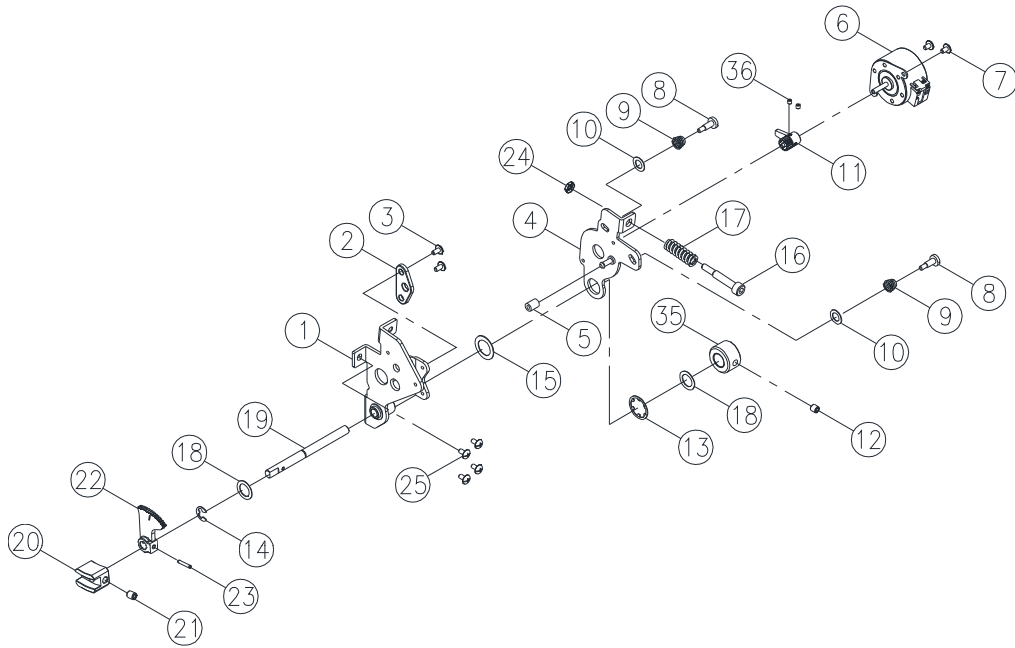


I. FEED MECHANISM

PREFISSO "ZS" PREFISSO "ZS"

NO.	PART NO.	DESCRIPTION	REMARK
1	CHA0433000	FEED ROCK SHAFT	
2	004240503	SET SCREW (M4x4 C)	
3	CHA0473000	FEED ROCK SUPPORT SHAFT	
4	004400830	ENDURE ATTRITION WASHER	
5	003010073	E-RING (ETW-7)	
6	CJA1833000	FEED ROCK CRANK	
7	CJA1823000	REGULATING BLOCK SHAFT	
8	CHA1563003	FEED ROCK SPRING	
9	004300733	WASHER (5.2x12x1)	
10	004240223	SET SCREW (M4x6 C)	
11	004240106	SET SCREW (M4x8)	
12	CHA0423000	FEED REGULATING BLOCK	
13	P3A0583003	FEED ROCK SHAFT	
14	P3A0533003	FEED DOG SHAFT	
15	004240545	SET SCREW (M4x12)	
16	CJA1423003	FEED DOG SPRING	
17	V11553003	COLLAR	
18			
	CHA0933000	FEED DOG SUPPORTER	
19			
	CHA0945000	FEED LIFTING ROCK CRANK CPL.	
20	004241093	SET SCREW (M4x9 C)	
21	0048400070	ADJUSTING NUT (ALN-4)	
22	CFA0943001	FEED DOG	
23	004235016	SET SCREW (M3.5x8 A)	
24			
25			
26			
27			
28			
29	H1A0433003	BELT ADJUSTING PLATE	
30	H1A0453000	BELT ADJUSTING PLATE PULLEY	
31	003010043	E-RING (ETW-7)	
32	004240033	SET SCREW (M4x5 C)	

J. FEED ADJUSTMENT MECHANISM

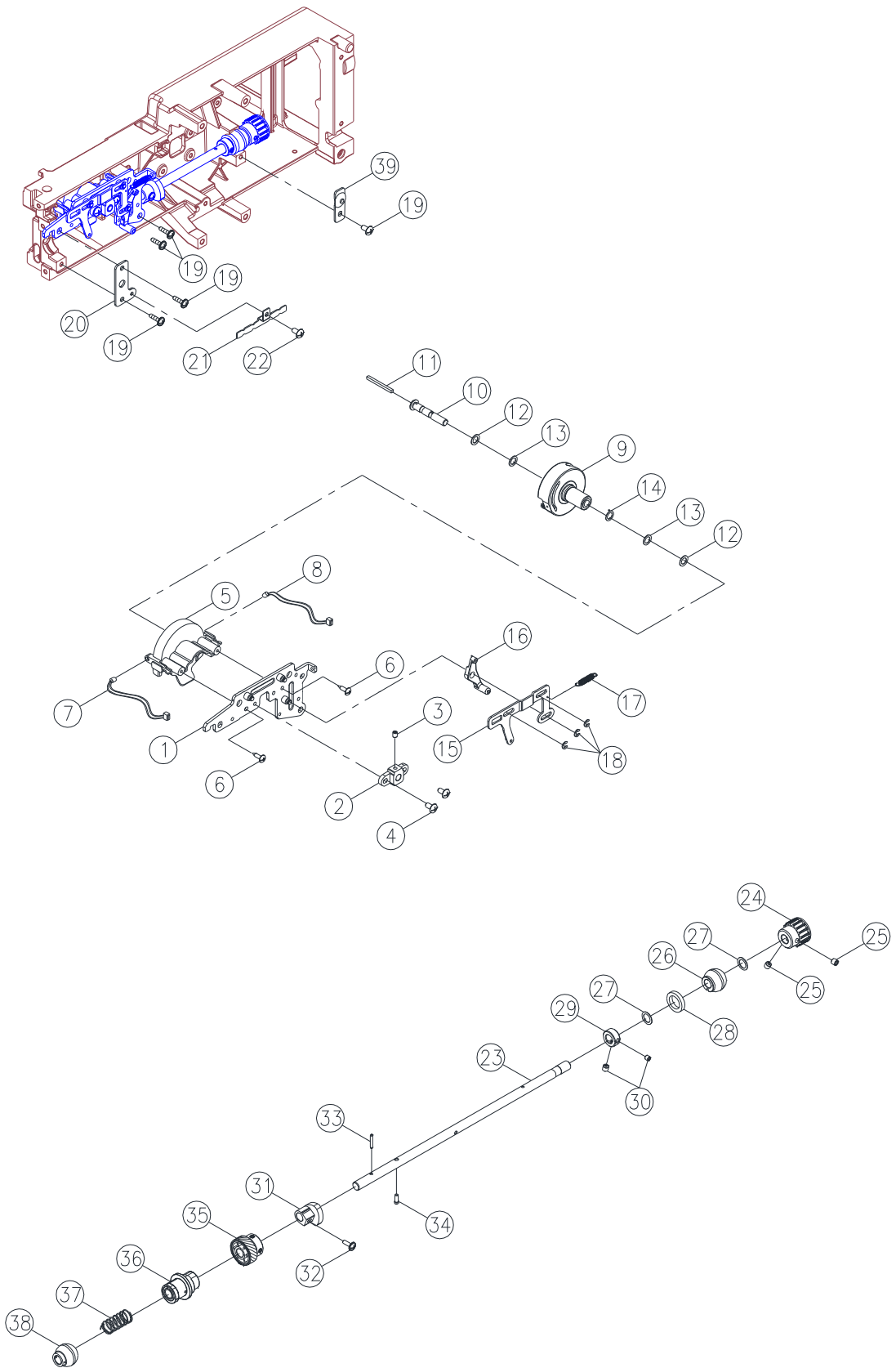


J. FEED ADJUSTMENT MECHANISM

PREFISSO "ZS"
 PREFISSO "ZS"

NO.	PART NO.	DESCRIPTION	REMARK
1	CHA0375000	PULSE SUPPORT PLATE CPL.	
2	CHA0623000	BEARING PLATE	
3	004230016	SET SCREW (M3x6 A)	
4	CHA0386000	PULSE MOTOR REGULARING PLATE CPL.	
5	CHA0493000	TUBE	
6	001CJA0001	PULSE MOTOR	
7	0042300066	SET SCREW (M3x4 A)	
8	D3B1313006	SET SCREW	
9	D1E0783003	SPRING	
10	004300986	WASHER (4.2x10x0.5)	
11	CHA0393000	PULSE MOTOR GEAR	
12	004230433	SET SCREW (M3x3 C)	
13	0030100103	CS RING	
14	003010053	E-RING (ETW-5)	
15	0044000300	WASHER (18x18x0.5)	
16	CHA0823003	FEED REGULATING SCREW	
17	CHA0503003	SPRING	
18	004400840	WASHER (6.2x9.6x0.5)	
19	CHA0413000	FEED REGULATING SHAFT	
20	CHA0403000	EED REGULATING	
21	004250193	SET SCREW (M5x6 C)	
22	CHA0363582	FEED ROCK CRANK GEAR	
23	003042014	PIN (2x14)	
24	0048400070	ADJUSTING NUT (ALN-4)	
25	004240106	SET SCREW (M4x8)	
26	004240586	SET SCREW (M4x8)	
27	F31453000	FREE ARM BASE CUSHION RUBBER	
28	E1A2573006	BASE PLATE ADJUSTMENT SCREW SPRING	
29	K82133006	BASE PLATE ADJUSTMENT SCREW	
30	K6A0063002	FREE ARM BASE CUSHION RUBBER	
31	H1A0413006	FREE ARM BASE CUSHION	
32	H1A0583003	SPACER	
33	004250346	SET SCREW (M5x10)	
34	CHA1073003	ELECTRIC WIRE PRESS BOARD	
35	R1A1723003	FEED COLLAR	
36	004230203	SET SCREW (M3x4 C)	

K. HOOK & LOWER SHAFT COMPONENTS

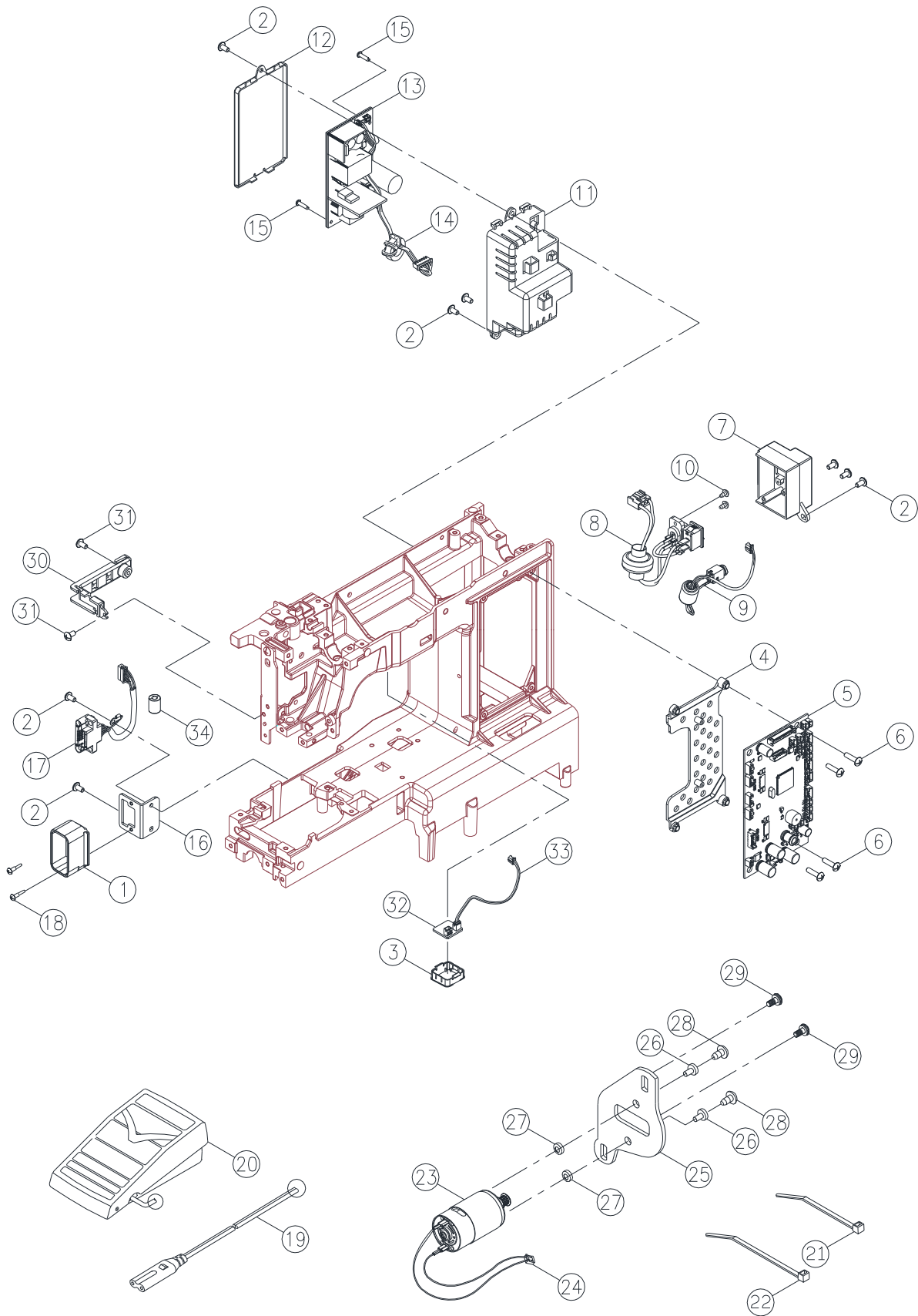


K. HOOK & LOWER SHAFT COMPONENTS

PREFISSO "ZS" PREFISSO "ZS"

NO.	PART NO.	DESCRIPTION	REMARK
1	CJA0965000	ROTARY HOOK HOLDER	
2	E1A0543000	ROTARY HOOK SUPPORTER	
3	004240033	SET SCREW (M4x5 C)	
4	004240106	SET SCREW (M4x8 A)	
5	CJA1303582	SHUTTLE HOOK COVER	
6	004230066	SET SCREW (M3x12)	
7	008CHA0026	LOWER THREAD DETECTION LAUNCHER	
8	008CHA0027	LOWER THREAD DETECTION RECEIVER	
9	Q6A0704000	SHUTTLE HOOK HOLDER	
10	E1A2033000	BOBBIN SHAFT	
11	NB0693000	BOBBIN SHAFT OIL CLOTH	
12	NB0673000	BOBBIN SHAFT WASHER (2)	
13	004400840	ENDURE ATTRITION WASHER	
14	NB0683000	BOBBIN SHAFT WASHER (3)	
15	CJA1015000	TOOTH LEVER SUPPORTER PLATE CPL.	
16	CJA1043000	TOOTH LEVER ARM	
17	CJA1023000	TOOTH LEVER SUPPORTER PLATE SPRING	
18	003011033	E-RING (ETW-3)	
19	004240586	SET SCREW (M4x8)	
20	CJA1183003	BIAS BUSHING PRESSER PLATE	
21	CJA1153003	BUSHING PRESSER PLATE	
22	004240056	SET SCREW (M4x6 B)	
23	CHA0613000	LOWER SHAFT	
24	CHA0593003	LOWER SHAFT BELT PULLEY	
25	004250203	SET SCREW (M5x5 C)	
26	CJA0823000	LOWER SHAFT BUSHING	
27	004400830	ENDURE ATTRITION WASHER (8.2x12x0.5)	
28	R1A2823000	FELT SEAL	
29	V11553003	LOWER SHAFT COLLAR	
30	004240503	SET SCREW (M4x4 C)	
31	CHA0673582	FEED ROCK CAM	
32	0042300116	SET SCREW (M3x10)	
33	003042014	PIN (2x14)	
34	P3A0433003	FEED LIFTING ROCK COM PIN	
35	CJB0554000	LOWER SHAFT GEAR CPL.	
36	CHA0963582	FEED LIFTING ROCK CAM	
37	CJA1293003	LOWER SHAFT SPRING	
38	CJA0833000	LOWER SHAFT BIAS BUSHING	
39	CHA0663003	BUSHING PRESSER PLATE	

L. MOTOR, POWER SUPPLY & ELECTRONIC PARTS

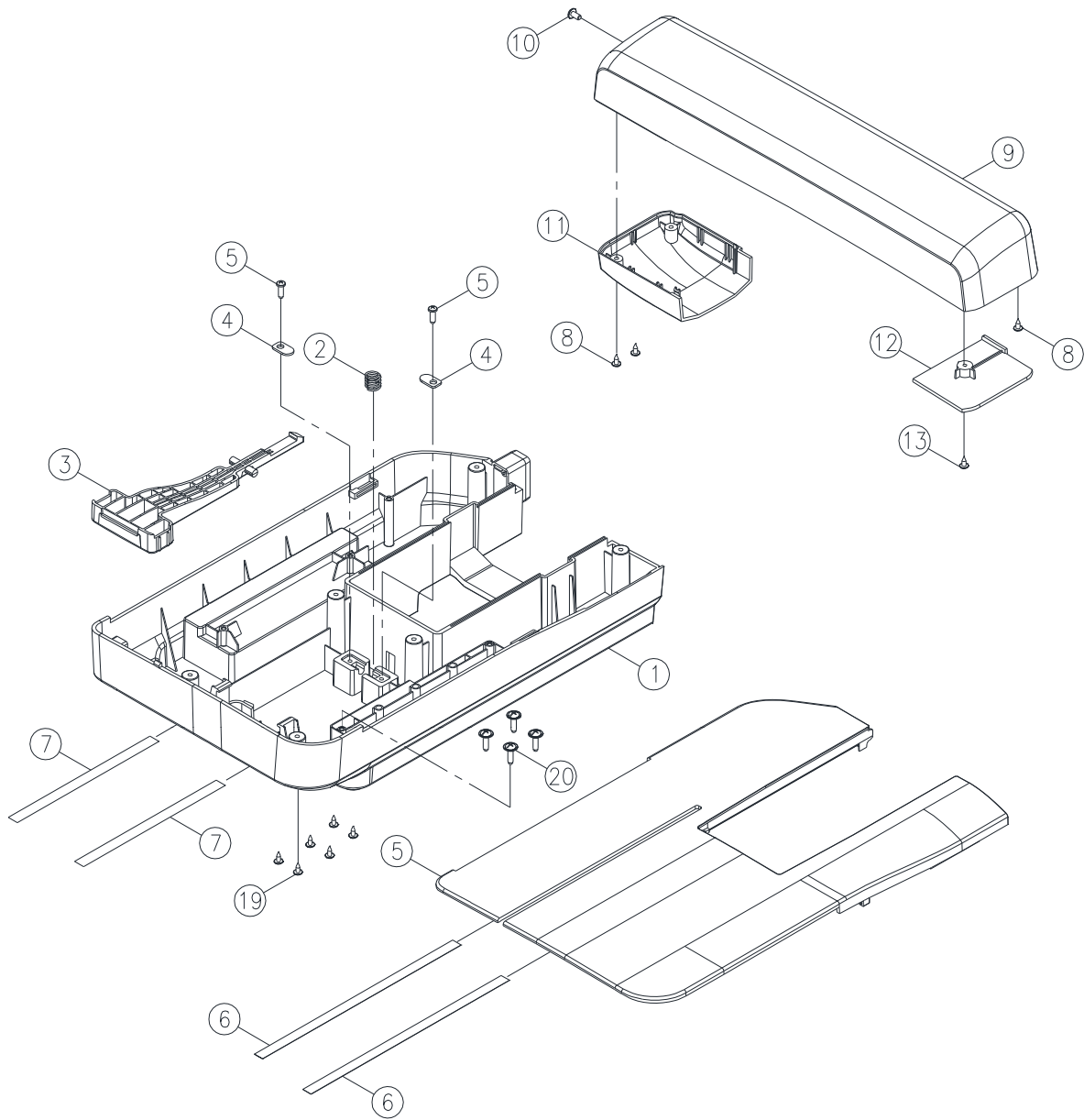


L. MOTOR, POWER SUPPLY & ELECTRONIC PARTS

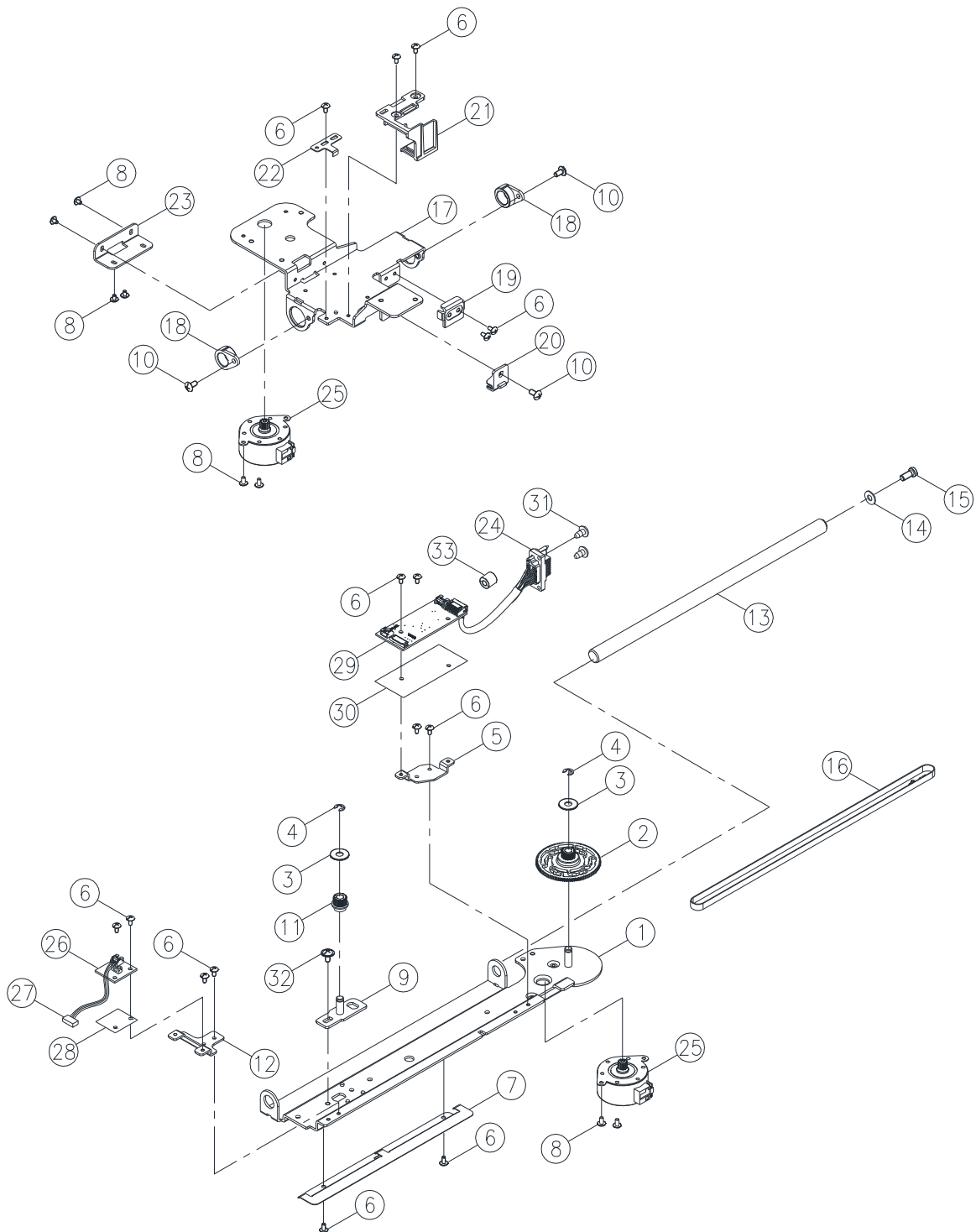
NO.	PART NO.	DESCRIPTION	REMARK
1	CHAZ393210	D TYPE COVER	
2	004240106	SET SCREW (M4x8 A)	
3	CAA1103213	LIGHT CASE	
4	CHAZ023210	FRAME OF MAIN CIRCUIT BOARD	
5	008CHA0070	MAIN CIRCUIT BOARD	
6	004240146	SET SCREW (M4x15 B)	
7	H1E0153000	RECEPTACLE HOLDER	
8	008CFA1003	SWITCH RECEPTACLE ASS'Y	
9	008CFA0007	CONTROLLER RECEPTACLE	
10	004230326	SET SCREW (M3x12 B)	
11	CHA1133000	HF TRANSFORMER BOX	
12	CHA1143000	HF TRANSFORMER BOX COVER	
13	008CHA0044	HF TRANSFORMER CPL.	
14	008CHA0049	HF TRANSFORMER WIRE	
15	004230216	SET SCREW (M3x8.5)	
16	CHA0923006	BRACKET	
17	008CHA0052	CONNECTOR	
18	0042310201	SET SCREW (M3x10 D)	
19	008CHA0061	POWER CORD	
20	002H1E0001	FOOT CONTROLLER	
21	002027129	CORD CLIP (L=23)	
22	002549129	CORD CLIP (L=20)	
23	001CAA0002	DC MOTOR	
24	008CHA0054	DC MOTOR LEAD CORD	
25	H1A0303006	MOTOR BRACKET	
26	P3C0443000	INSULATION SPACER	
27	P3C0453000	INSULATION SPACER	
28	004230536	SET SCREW (M3x10)	
29	0042500096	SET SCREW	
30	CHAZ223582	WIRE FIXING BRACKET	
31	004230016	SET SCREW (M3x6 A)	
32	008H7B0011	LED HOLDER BRACKET 2	
33	008H7B0010	LED HOLDER BRACKET CABLE	
34	008CHA0056	FERRITE CORES	

PREFISSO "ZS"
 PREFISSO "ZS"

M. EMBROIDERY COMPONENTS



N. X CARRIAGE COMPONENTS

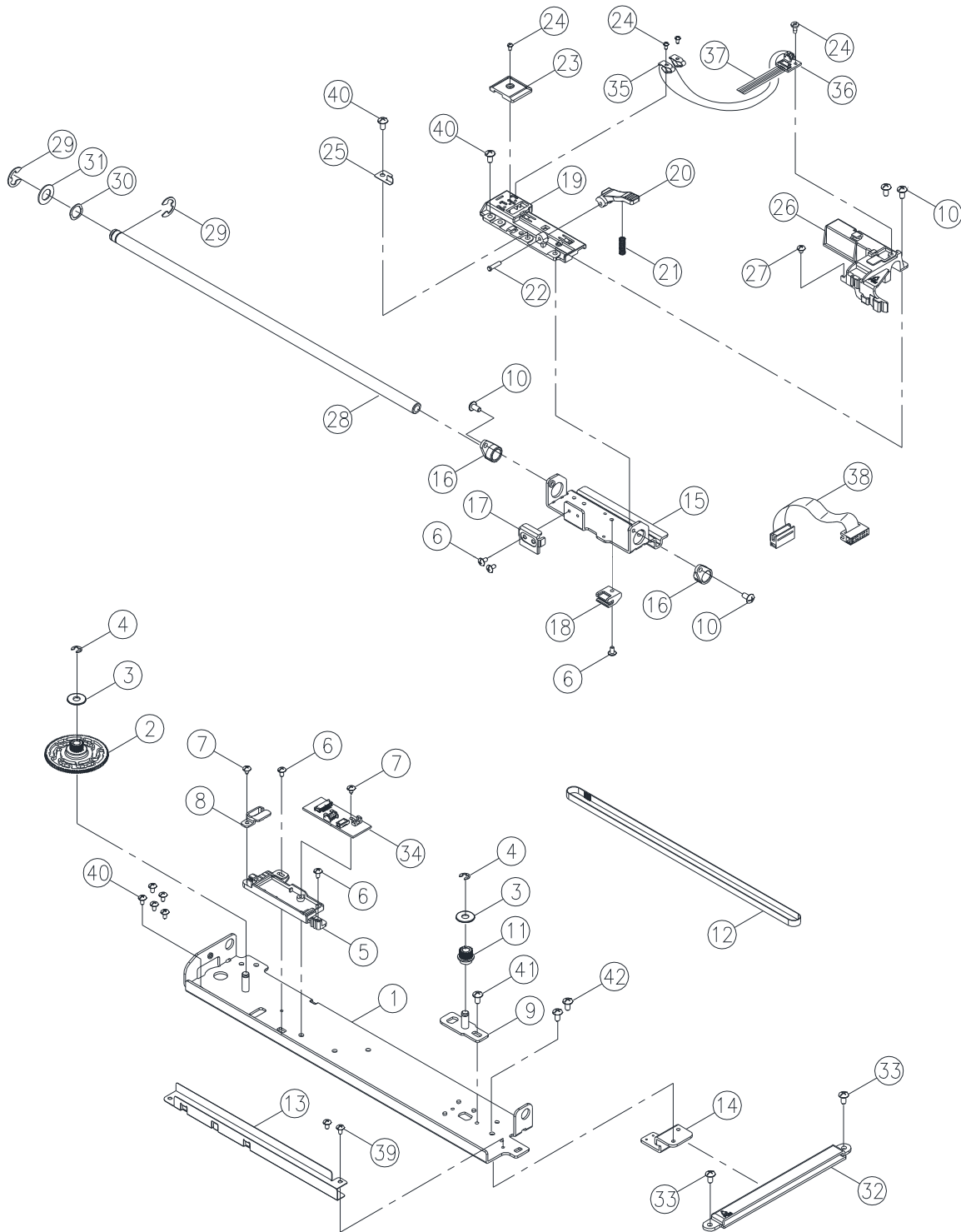


N. X CARRIAGE COMPONENTS

NO.	PART NO.	DESCRIPTION	REMARK
1	CHA0025000	MACHINERY BOTTOM PLATE CPL.	
2	CJA0043000	105 TEETH GEAR	
3	CHA0143000	WASHER	
4	003010043	E-RING (ETW-4)	
5	CHA0163006	SUPPORT PLATE	
6	004230016	SET SCREW (M3x6 A)	
7	CHA0053000	PROTECT LINE PLATE	
8	0042300066	SET SCREW (M3x4 A)	
9	CHA0115000	PULLEY ADJUSTMENT CPL.	
10	004240106	SET SCREW (M4x8 A)	
11	CHA0133582	TST IDLER PULLEY	
12	CHA0153006	SUPPORT PLATE	
13	CHA0353002	X AXIAL MAIN SHAFT	
14	004300733	WASHER (5.2x12x1)	
15	004250146	SET SCREW (M5x12 B)	
16	007572S2M1	BELT (6MM)	
17	CHA0173002	XY AXIAL JOINT BOARD	
18	CHA0183000	X AXIAL BUSHING	
19	CHA0193000	PRESSER PLATE	
20	CHA0203000	PLATE	
21	CHA0223000	WIRING GUIDER	
22	CHA0233003	PLATE	
23	CHA0213006	REINFORCING PLATE	
24	008CHA0053	CONNECTOR	
25	001CHA0003	PULSE MOTOR	
26	008CHA0017	X AXIAL PHOTO SENSOR SWITCH	
27	008CHA0018	X AXIAL PHOTO SENSOR WIRE	
28	008CHA0041	INSULATING SLICE	
29	008CHA0050	CONVERTER BOARD	
30	008CHA0042	INSULATING SLICE	
31	004230326	SET SCREW (M3x12 B)	
32	004240586	SET SCREW (M4x8)	
33	008CHA0057	FERRITE CORES	

PREFISSO "ZS" PREFISSO "ZS"

O. Y CARRIAGE COMPONENTS

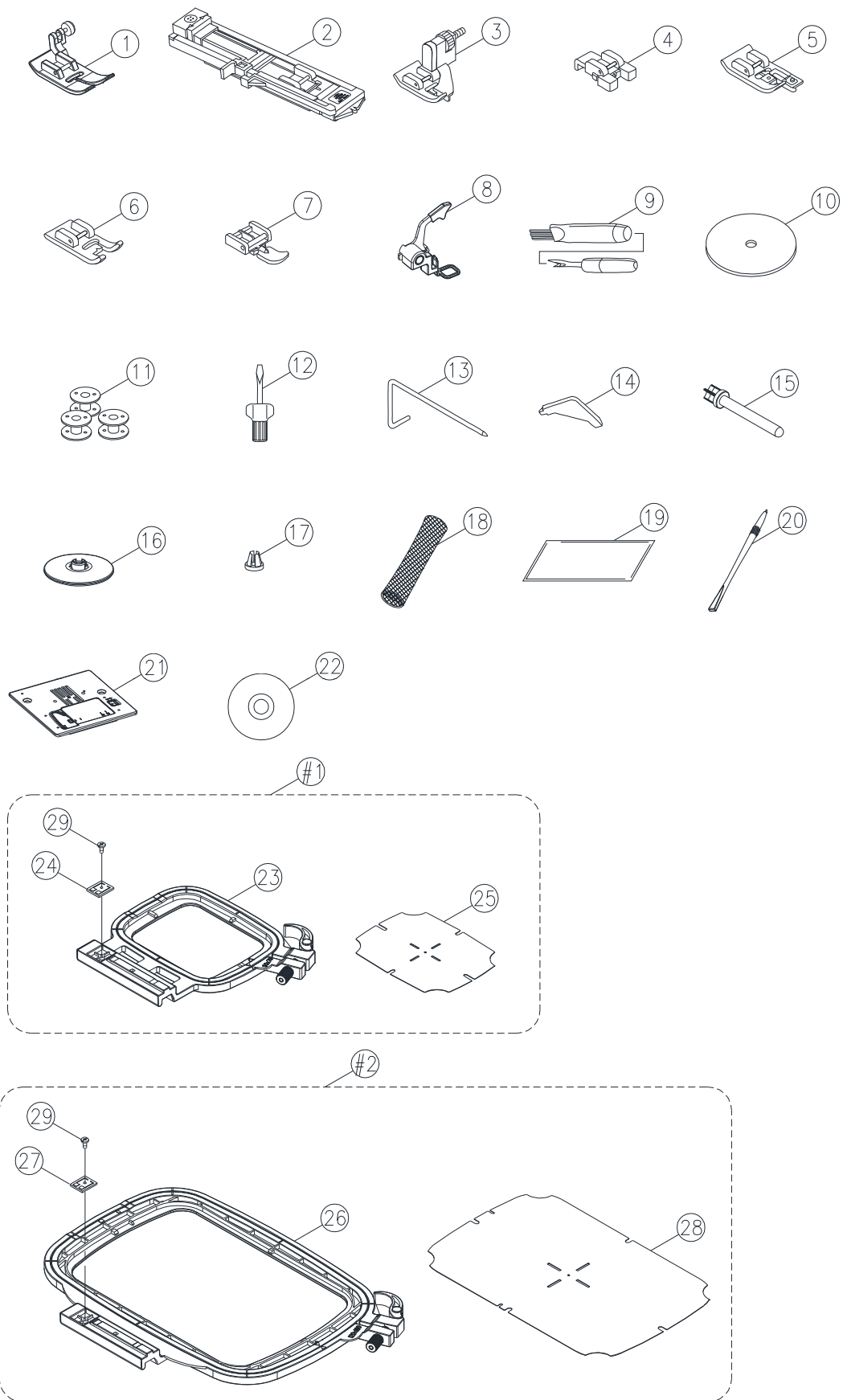


O. Y CARRIAGE COMPONENTS

NO.	PART NO.	DESCRIPTION	REMARK
1	CHA0065000	Y AXIAL SUPPORTER CPL.	
2	CJA0043000	105 TEETH GEAR	
3	CHA0143000	WASHER	
4	003010043	E-RING (4x9x0.6)	
5	CHA0303210	Y AXIAL SENSOR PLANK	
6	004230016	SET SCREW (M3x6 A)	
7	0042300026	SET SCREW (M3x6)	
8	CHA0313000	PRESSER PLATE	
9	CHA0115000	PULLEY ADJUSTMENT CPL.	
10	004240106	SET SCREW (M4x8 A)	
11	CHA0133582	TST IDLER PULLEY	
12	007560S2M1	BELT(6MM)	
13	CHA0093000	WIRING GUARD PLATE	
14	CHA0103002	SILDE SUPPORTER	
15	CHA0243000	Y AXIAL SLIDE PLATE	
16	CHA0253000	Y AXIAL BUSHING	
17	CHA0193000	PRESSER PLATE	
18	CHA0263000	HOOK PLATE	
19	CHA0273000	FRAME SUPPORTER	
20	H3B0463000	FRAME FIXED POSITION BUTTON	
21	CHA0333003	SPRING	
22	H3B0483002	FRAME FIXED POSITION SHAFT	
23	CHA0283210	MAIN COVER	
24	004225096	SET SCREW (M2.5x5)	
25	CHA0293006	PLATE	
26	CHA0083582	TST Y AXIAL WIRING GUIDER	
27	0042300062	SET SCREW (M3x4 A)	
28	CHA0073002	Y AXIAL MAIN SHAFT	
29	003010093	E-RING (4x9x0.6)	
30	004500500	WASHER (10.5x14.5x2x0.3)	
31	0043002703	WASHER (10.5x22x1.0)	
32	CHA0323000	SILDE PLATE HOLDER	
33	004240526	SET SCREW (M4x12 B)	
34	008CHA0022	PHOTOT SENSOR CPL.	
35	008CHA0014	SPRING CPL.	
36	008CHA0016	CONVERTER BOARD	
37	008CHA0019	ROW LINE (4P)	
38	008CHA0023	ROW LINE (10P)	
39	0042300066	SET SCREW (M3x0.5 x4 A)	
40	004241036	SET SCREW (M4x6 A)	
41	004240586	SET SCREW (M4x8)	
42	004240056	SET SCREW (M4x6 B)	

PREFISSO "ZS" PREFISSO "ZS"

P. ACCESSORIES (STANDARD)



P. ACCESSORIES (STANDARD)

PREFISSO "ZS"
PREFISSO "ZS"

NO.	PART NO.	DESCRIPTION	REMARK
1	006186008	ALL PURPOSE FOOT (T)	
2	006H1A0004	BUTTONHOLE FOOT	
3	006904008	BLIND HEM FOOT (F)	
4	006914008	BUTTON SEW ON FOOT	
5	006D1E0008	OVERCASTTING FOOT (E)	
6	006172008	SATIN STITCH FOOT (A)	
7	006905008	ZIPPER FOOT (I)	
8	006H4B0014	EMBROIDERY FOOT CPL.	
9	006099008	BRUSH & SEAM RIPPER CPL.	
10	006D6B0016	FELT CUSHION	
11	006H1B0001	BOBBIN	
12	006R1A0035	SCREW DRIVE (LARGE)	
13	006H1G0007	SEAM GUIDE	
14	006093009	SCREW DRIVER	
15	H3JY013210	AUXILIARY SPOOL PIN	
16	H1D0083210	SPOOL HOLDER (LARGE)	
17	TA10943210	SPOOL HOLDER (SMALL)	
18	006R1A0032	NET	
19	0060A34002	NEEDLE BAG	
20			
21	CHA1554000	STRAIGHT STITCH NEEDLE PLATE CPL.	
22	0060A54007	CD	
23	CHAY006000	EMBROIDERY HOOP (50x70)	
24	008CHA0038	RESISTANCE BOARD (50x70)	
25	CHAA043031	EMBORDARY SHEET (50x70)	
26	CHAY020000	EMBROIDERY HOOP (120x180)	
27	008CHA0039	RESISTANCE BOARD (120x180)	
28	CHAA053031	EMBORDARY SHEET (120x180)	
29	004225096	SCREW (M2.5x5)	
#1	CHAY095000	EMBROIDERY SET (50x70)	
#2	CHAY025000	EMBROIDERY SET (120x180)	