

PARTS
LIST

NECCHI

NCH02AX

N300CHA03
Jul. 20, 2021

PLEASE NOTE:

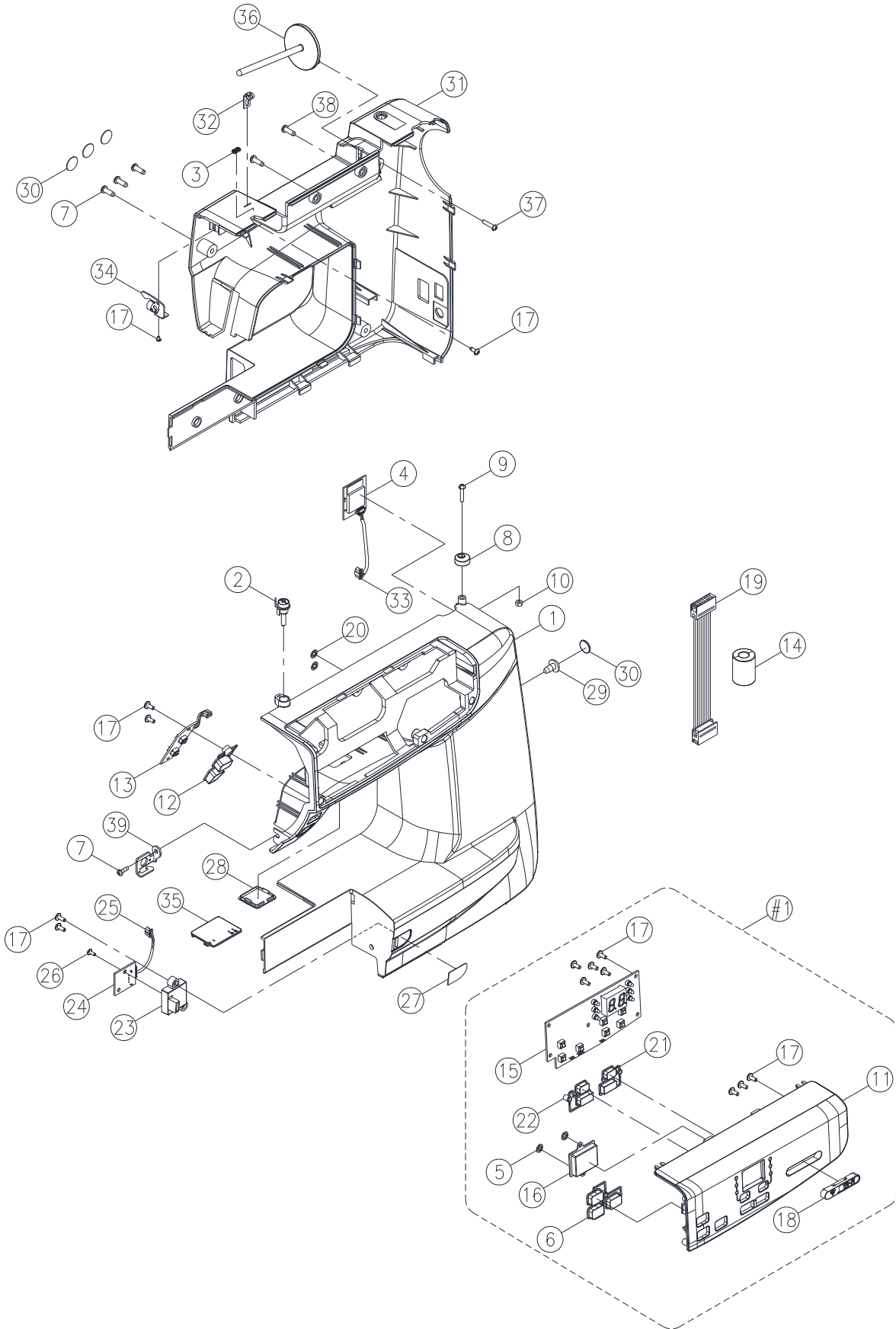
The parts mentioned without number in the parts list are not available.

Take care the parts for the model and the voltage application & spec. you need.

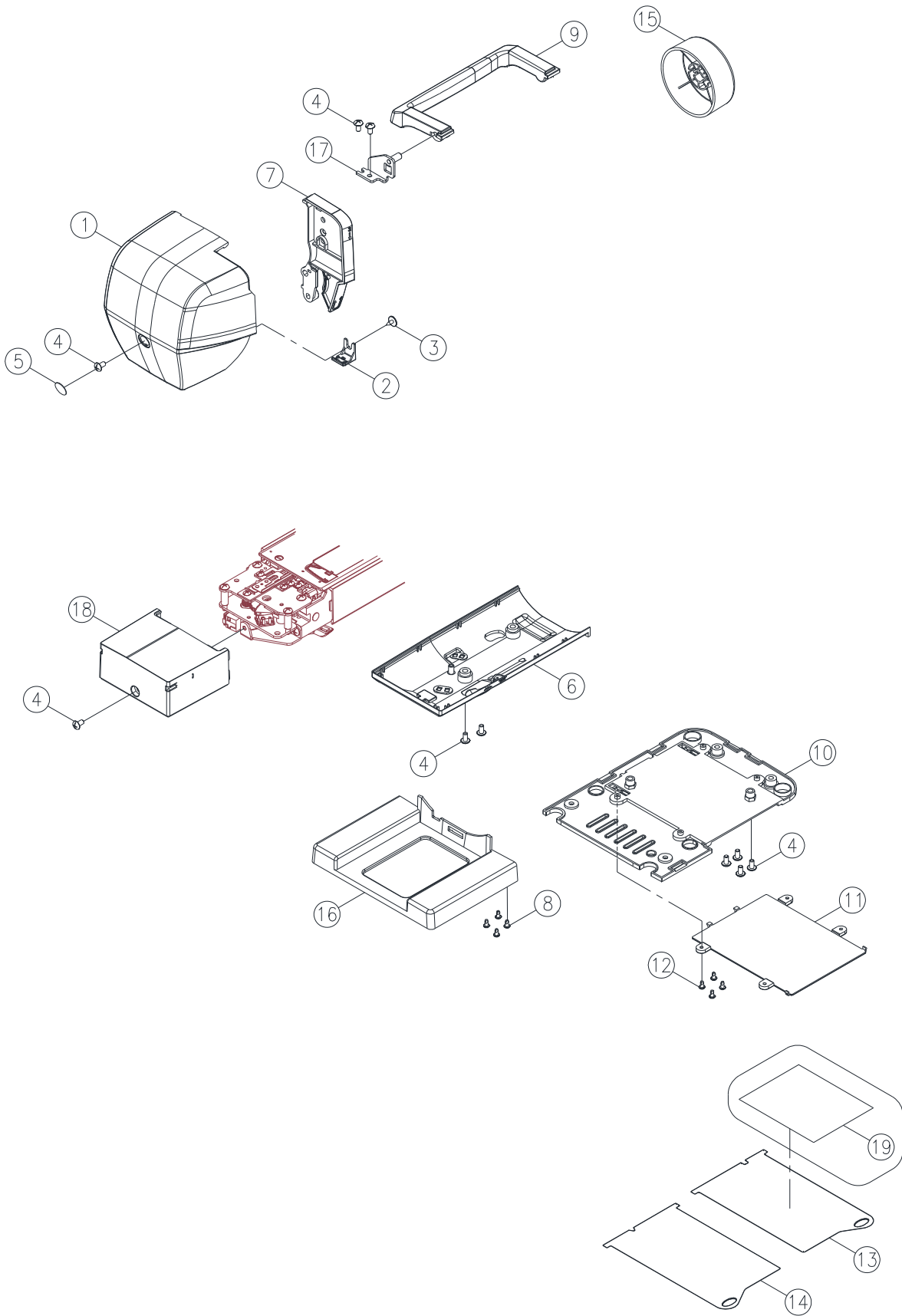
~ LIST OF CONTENTS ~

- A. PRINCIPAL COVER COMPONENTS 1
- B. PRINCIPAL COVER COMPONENTS 2
- C. UPPER SHAFT COMPONENTS
- D. PRESSER & NEEDLE PLATE MECHANISM
- E. NEEDLE BAR & ZIGZAG MECHANISM
- F. THREAD CUTTER COMPONENTS
- G. THREAD TENSION MECHANISM
- H. BOBBIN WINDER & BH MECHANISM
- I. FEED MECHANISM
- J. HOOK & LOWER SHAFT COMPONENTS
- K. MOTOR, POWER SUPPLY & ELECTRONIC PARTS
- L. EMBROIDERY COMPONENTS
- M. X CARRIAGE COMPONENTS
- N. Y CARRIAGE COMPONENTS
- O. ACCESSORIES (STANDARD)

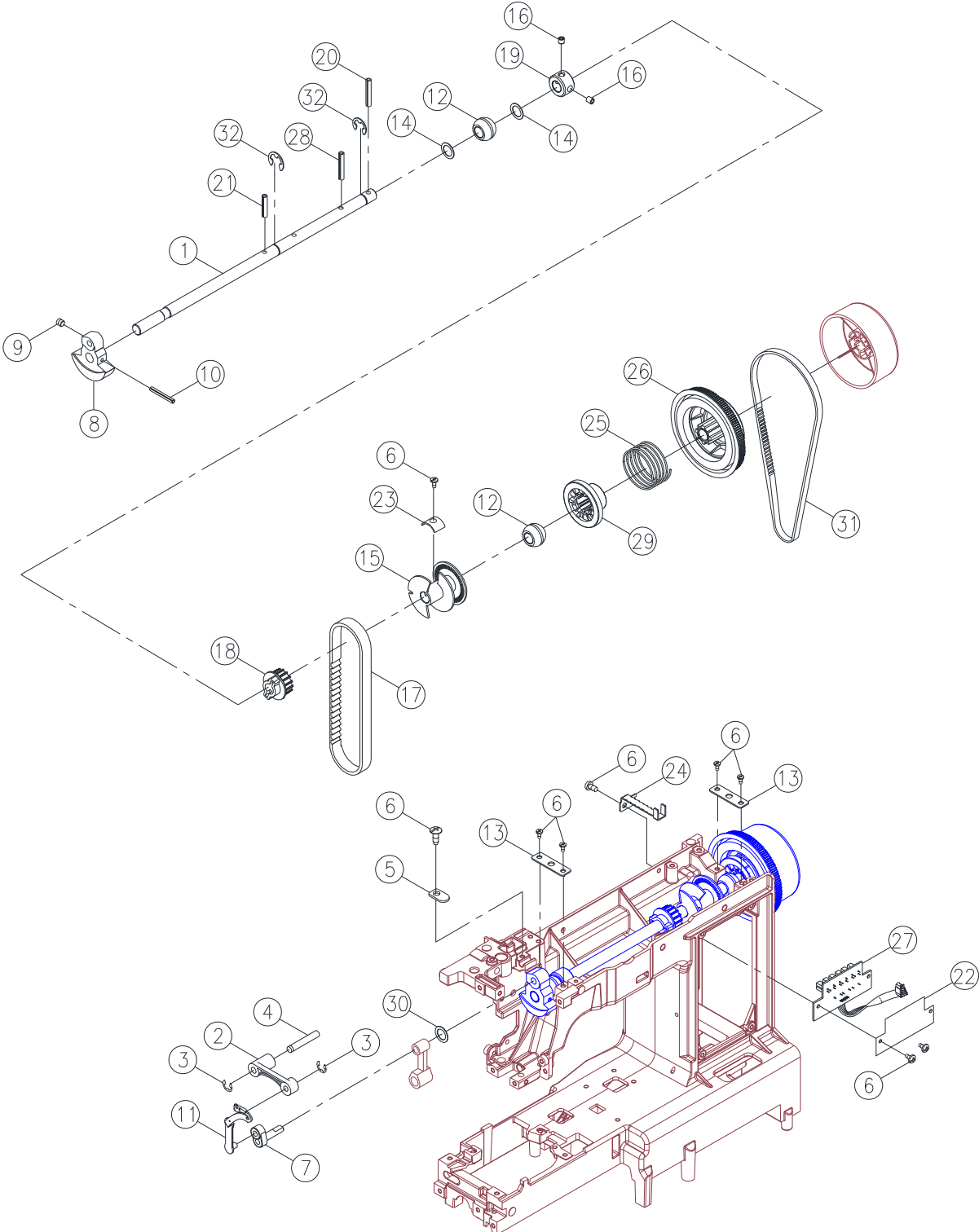
A. PRINCIPAL COVER COMPONENTS 1



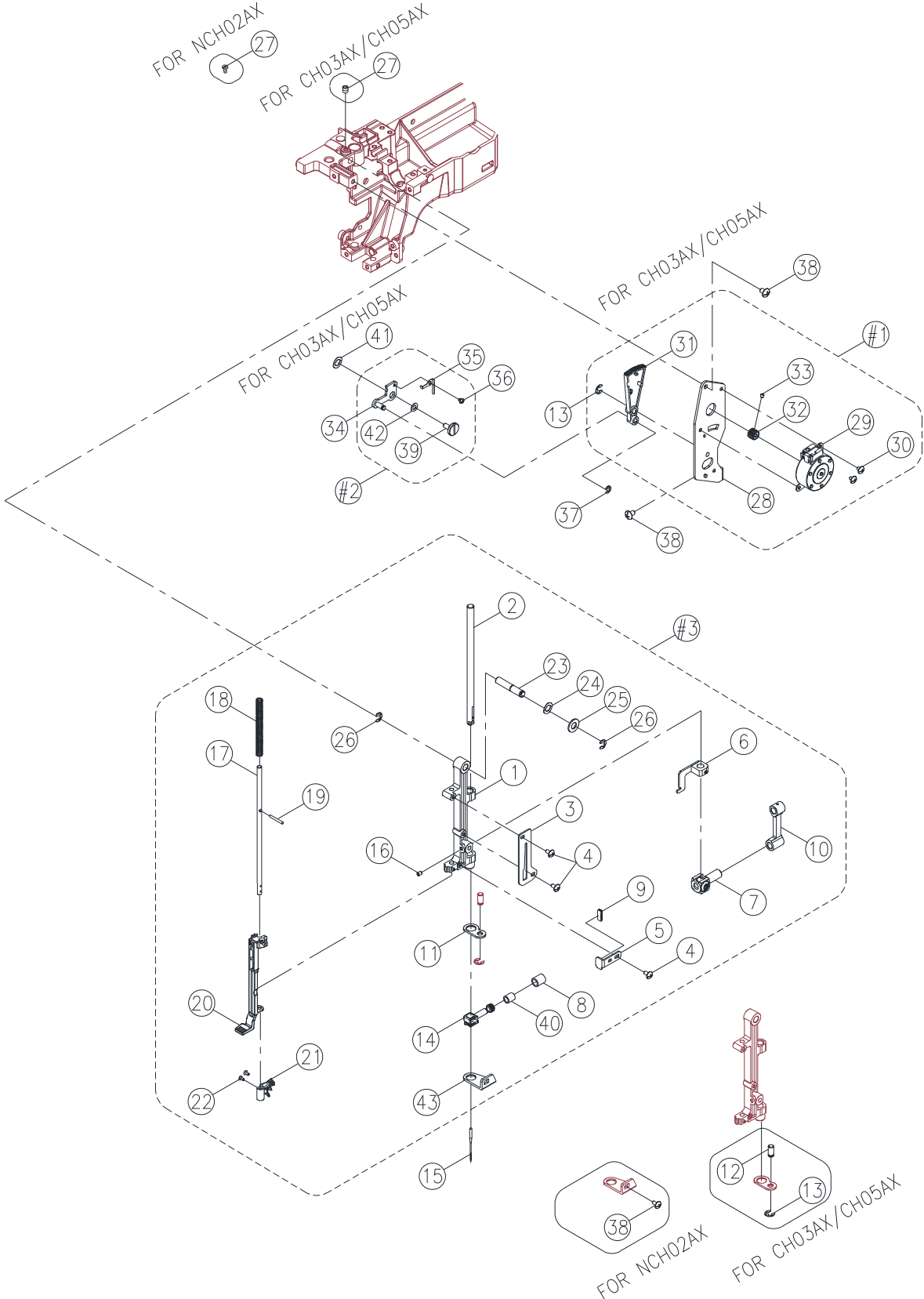
B. PRINCIPAL COVER COMPONENTS 2



C. UPPER SHAFT COMPONENTS



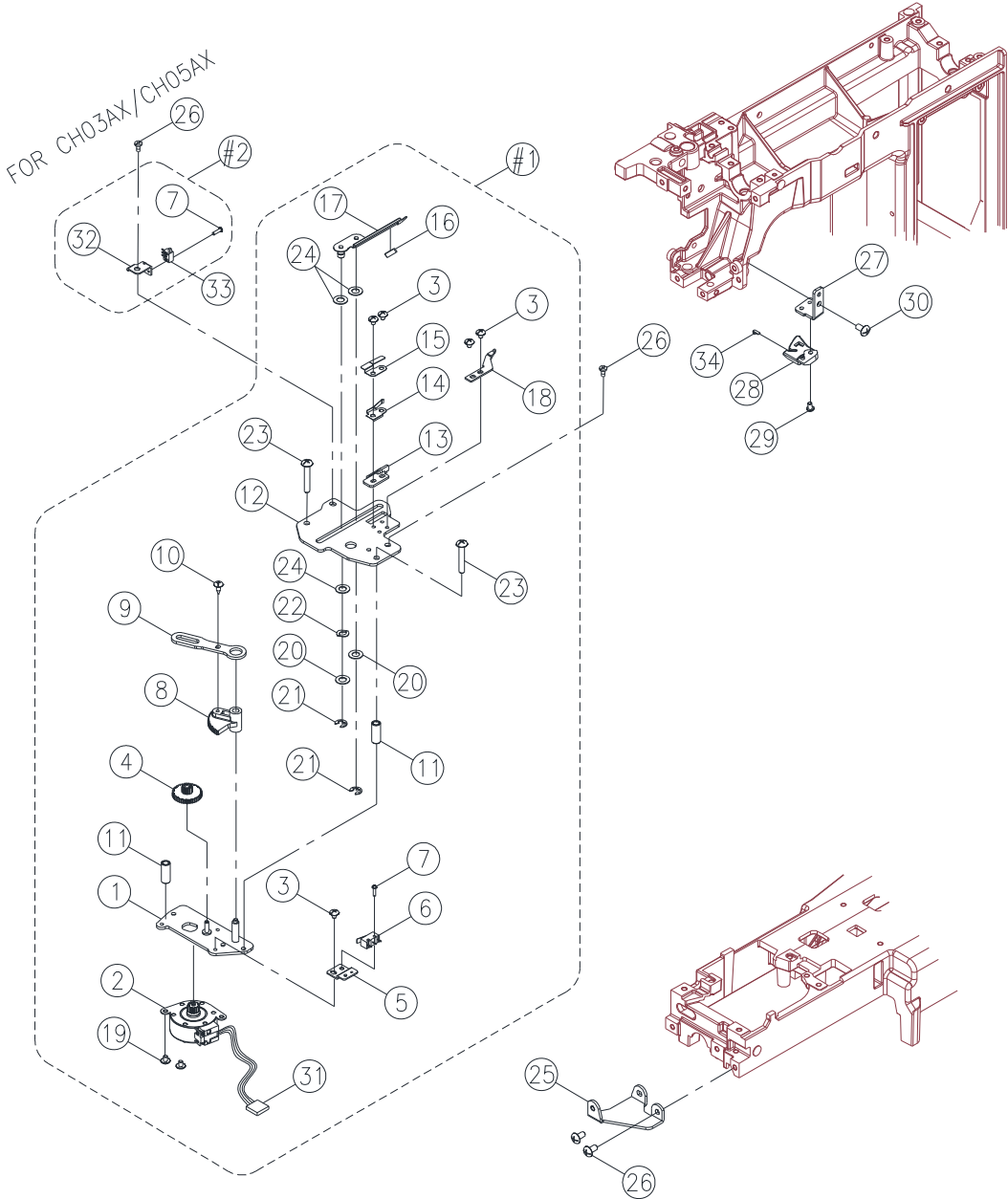
E. NEEDLE BAR & ZIGZAG MECHANISM



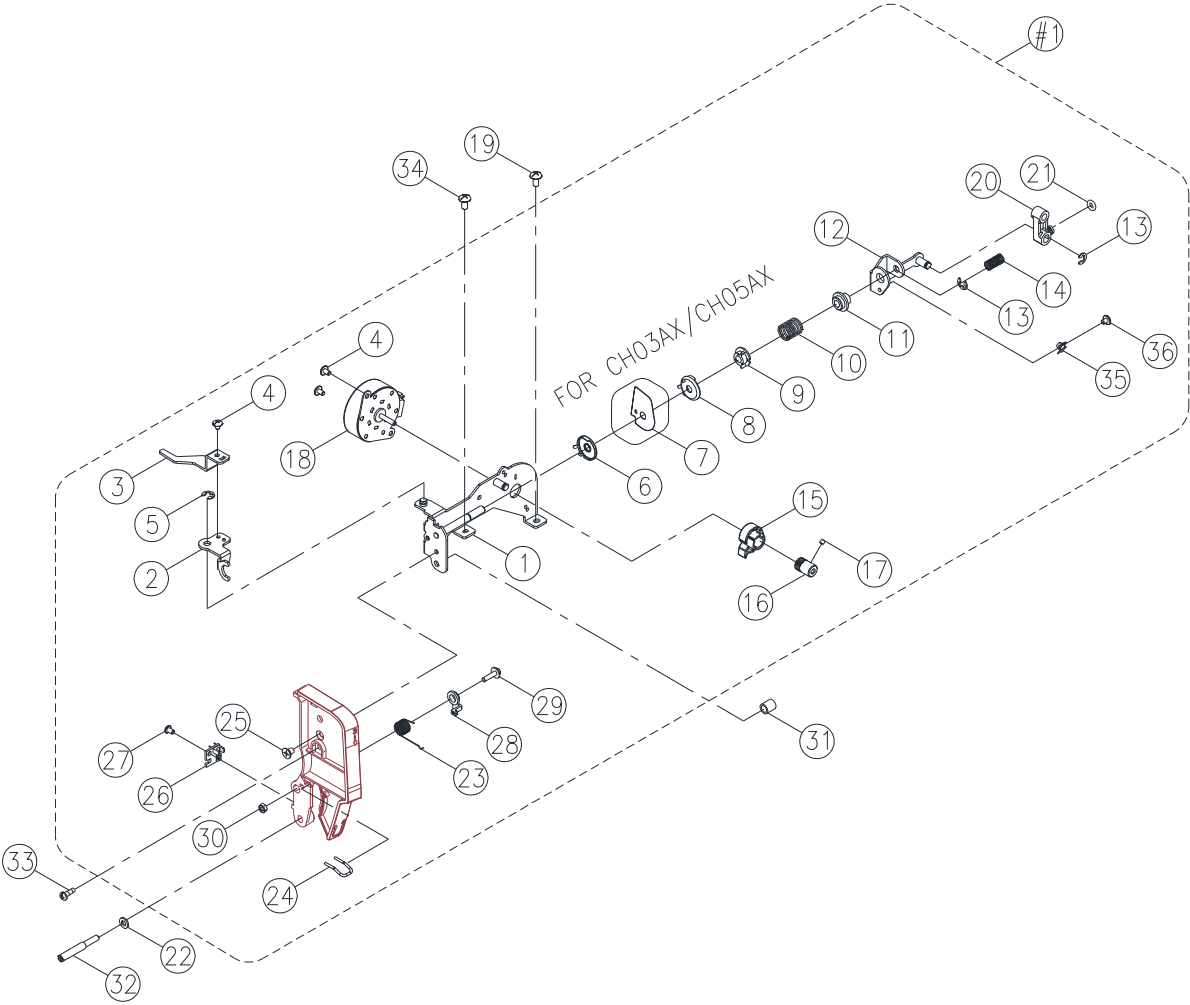
E. NEEDLE BAR & ZIGZAG MECHANISM

NO.	PART NO.	DESCRIPTION	REMARK
1	CHA1343000	NEEDLE BAR SUPPORTER	
2	V70273000	NEEDLE BAR	
3	CHA1423003	THREADING GUIDE	
4	004230016	SCREW (M3x6 A)	
5	CHA1513000	PLATE	
6	CAA0364000	THREADING STOPPER CPL.	
7	H10195000	NEEDLE BAR BRACKET CPL.	
8	CHA1633000	STRAW	
9	H7A0033000	COMB	
10	F4A3343000	NEEDLE BAR CRANK ROD	
11			
12			
13	003010043	E-RING (ETW-4)	
14	CHA1025000	NEEDLE CLAMP CPL.	
15			
	0060A33013	NEEDLE (#14)	
16	004230483	SCREW (M3x4 C)	
17	CHA1373000	THREADING SHAFT	
18	CHA1483003	THREADING SHAFT SPRING	
19	0030400010	PIN (2x16)	
20	CHA1313000	AUTO THREAD LEVER	
21	CHA1465210	THREADING PLATE CPL.	
22	004220203	SCREW (M2x4)	
23	P3A0183000	NEEDLE BAR SUPPORTER PIN	
24	004500670	WASHER (6.4x11x1x0.15)	
25	004300043	WASHER (6.5x13x1)	
26	003010046	E-RING (ETW-4)	
27	004240033	SCREW (M4x5 C)	
28			
29			
30	0042300066	SCREW (M3x0.5x4 A)	
31			
32			
33	004230433	SCREW (M3x3)	
34			
35			
36			
37	003010036	E-RING (ETW-3)	
38	004240106	SCREW (M4x8 A)	
39			
40	CHA0493000	TUBE	
41	0045520010	WASHER (5.2x9.6x0.15)	
42	004400230	WASHER (6.7x11.8x0.25)	
43	CHA1173003	NEEDLE BAR PLATE	
#1			
#2			
#3			
	CHA1714000	NEEDLE BAR SUPPORTER ASSEMBLY	

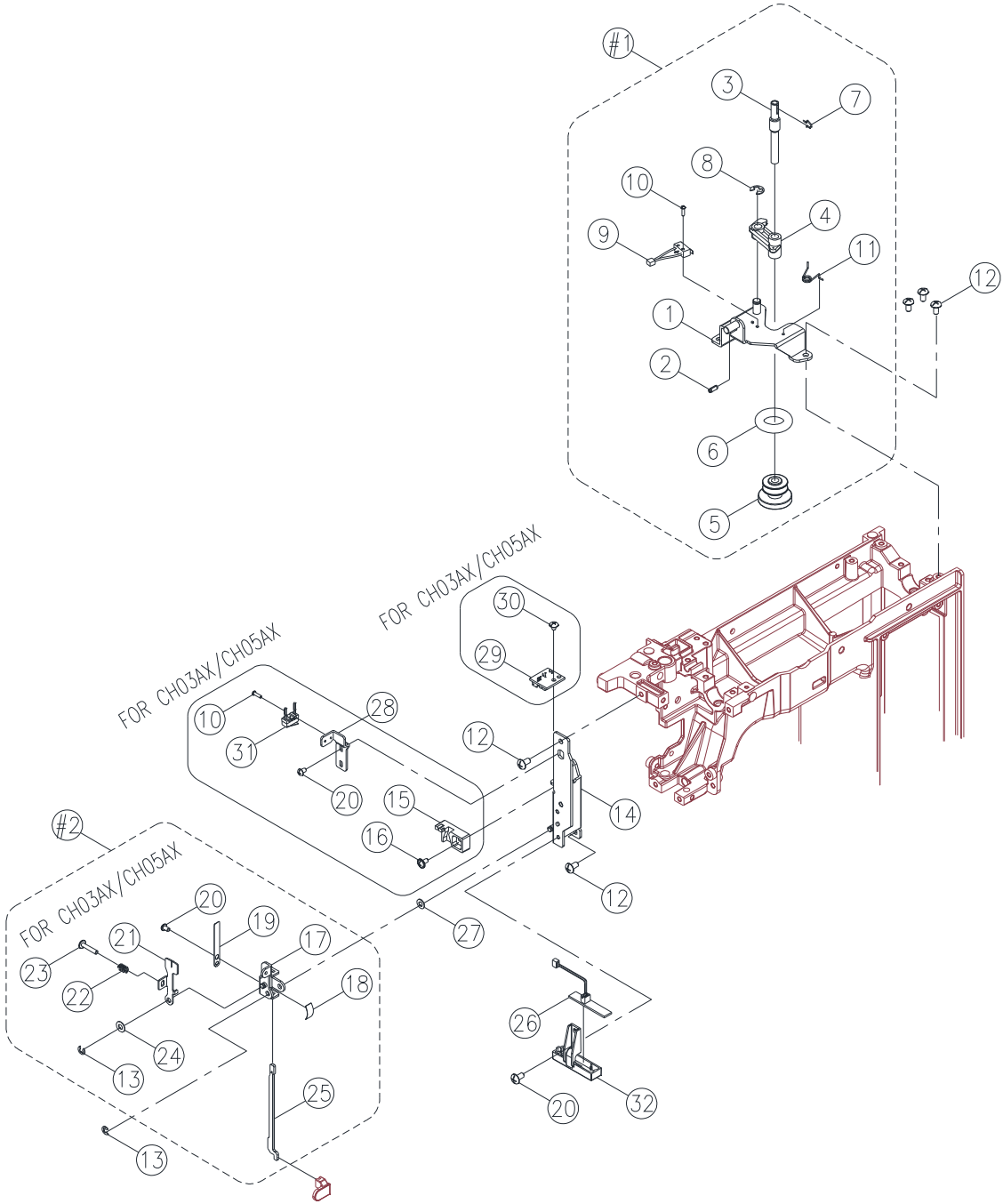
F. THREAD CUTTER COMPONENTS



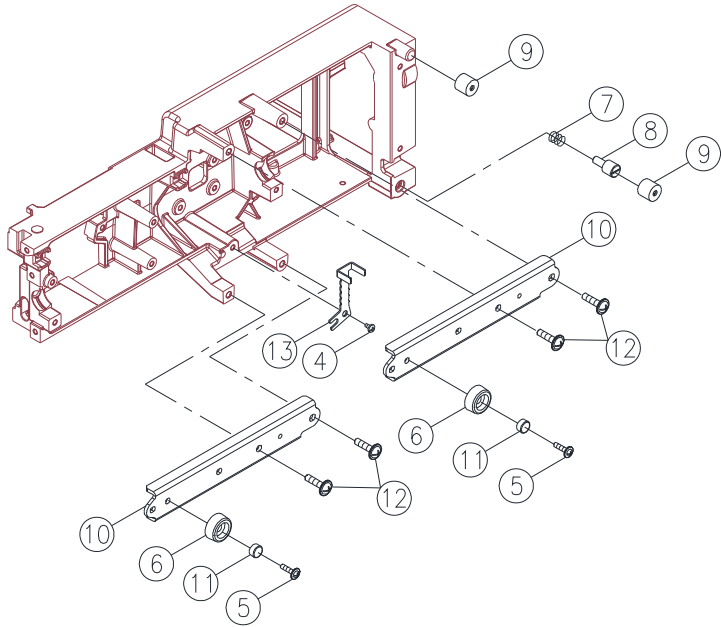
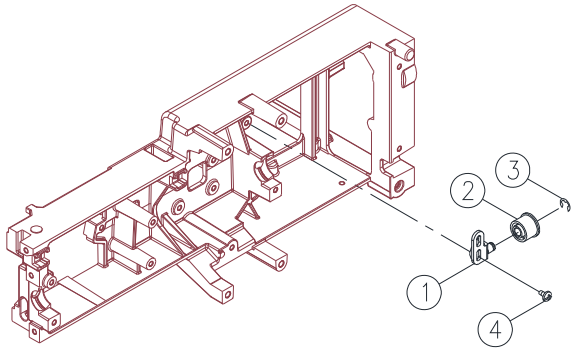
G. THREAD TENSION MECHANISM



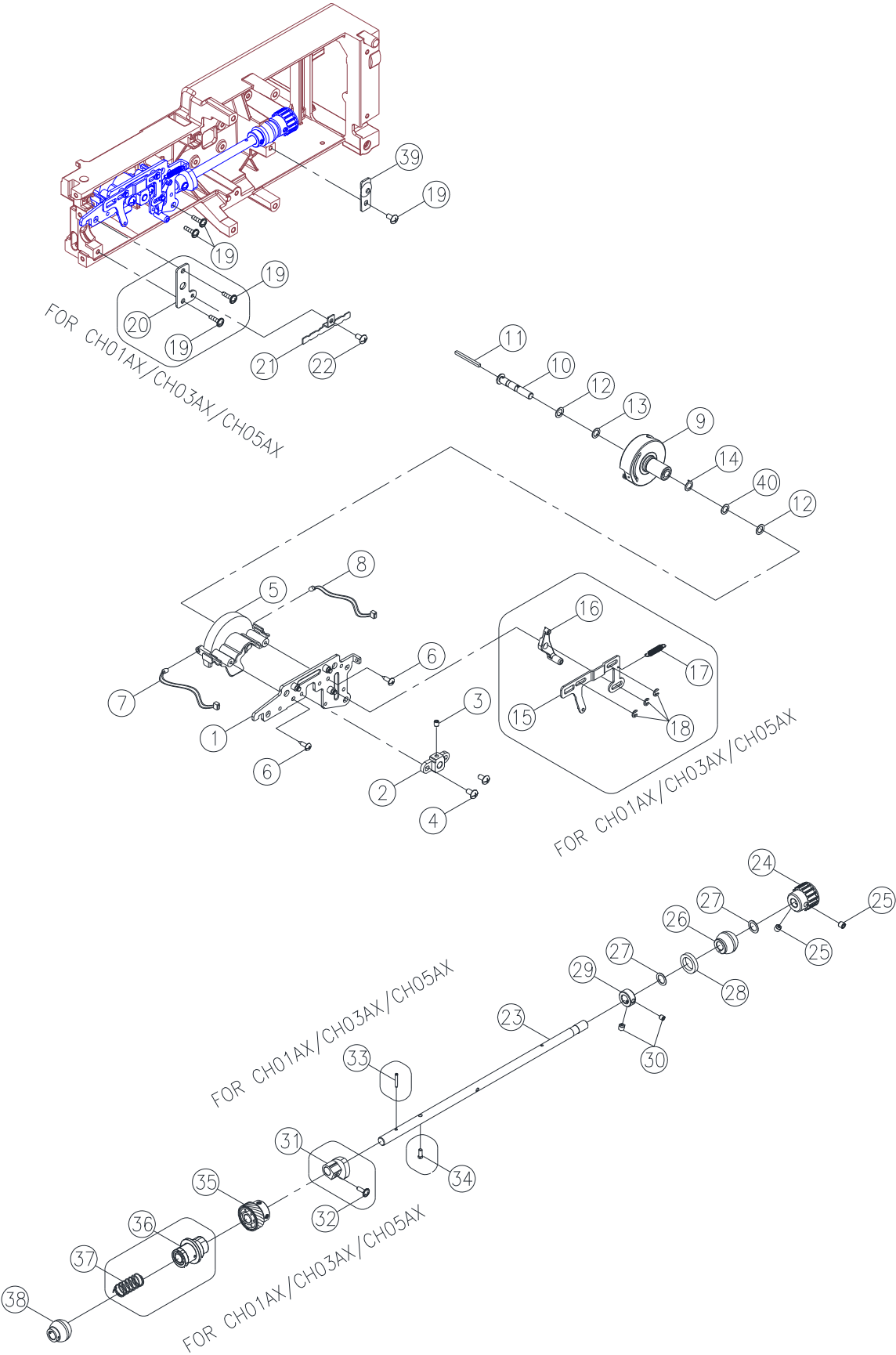
H. BOBBIN WINDER & BH MECHANISM



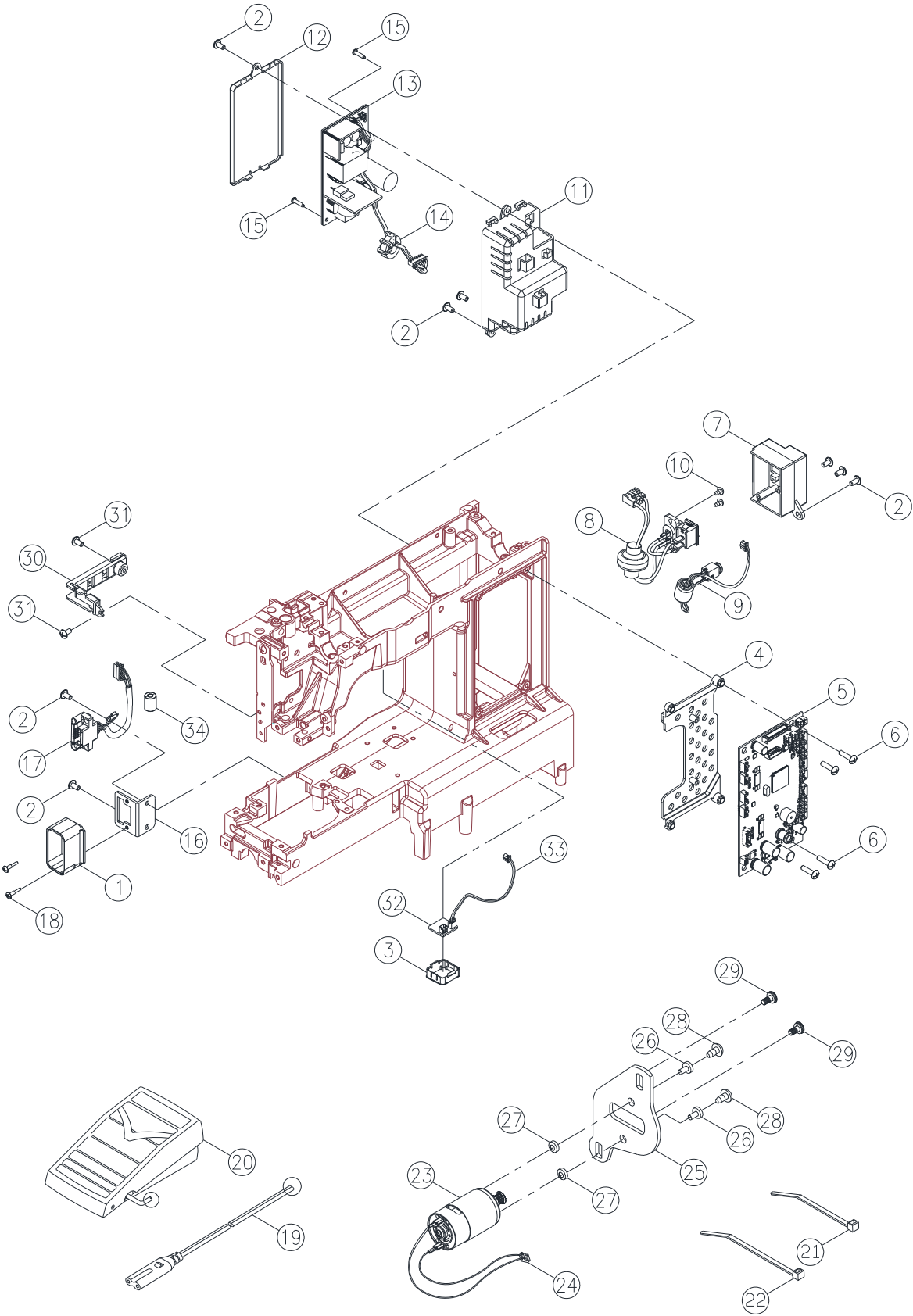
I. FEED MECHANISM



J. MOTOR, POWER SUPPLY & ELECTRONIC PARTS



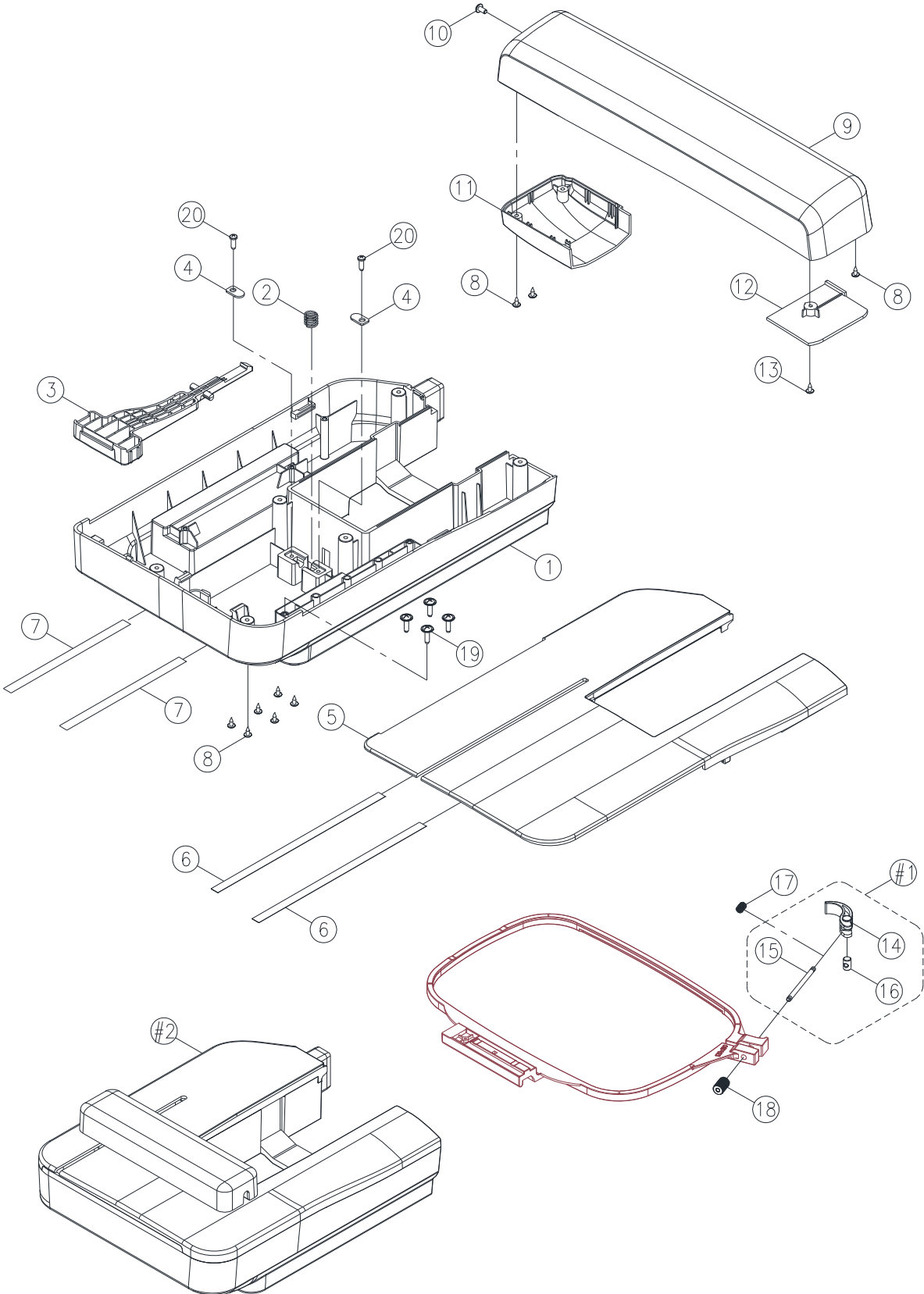
K. MOTOR, POWER SUPPLY & ELECTRONIC PARTS



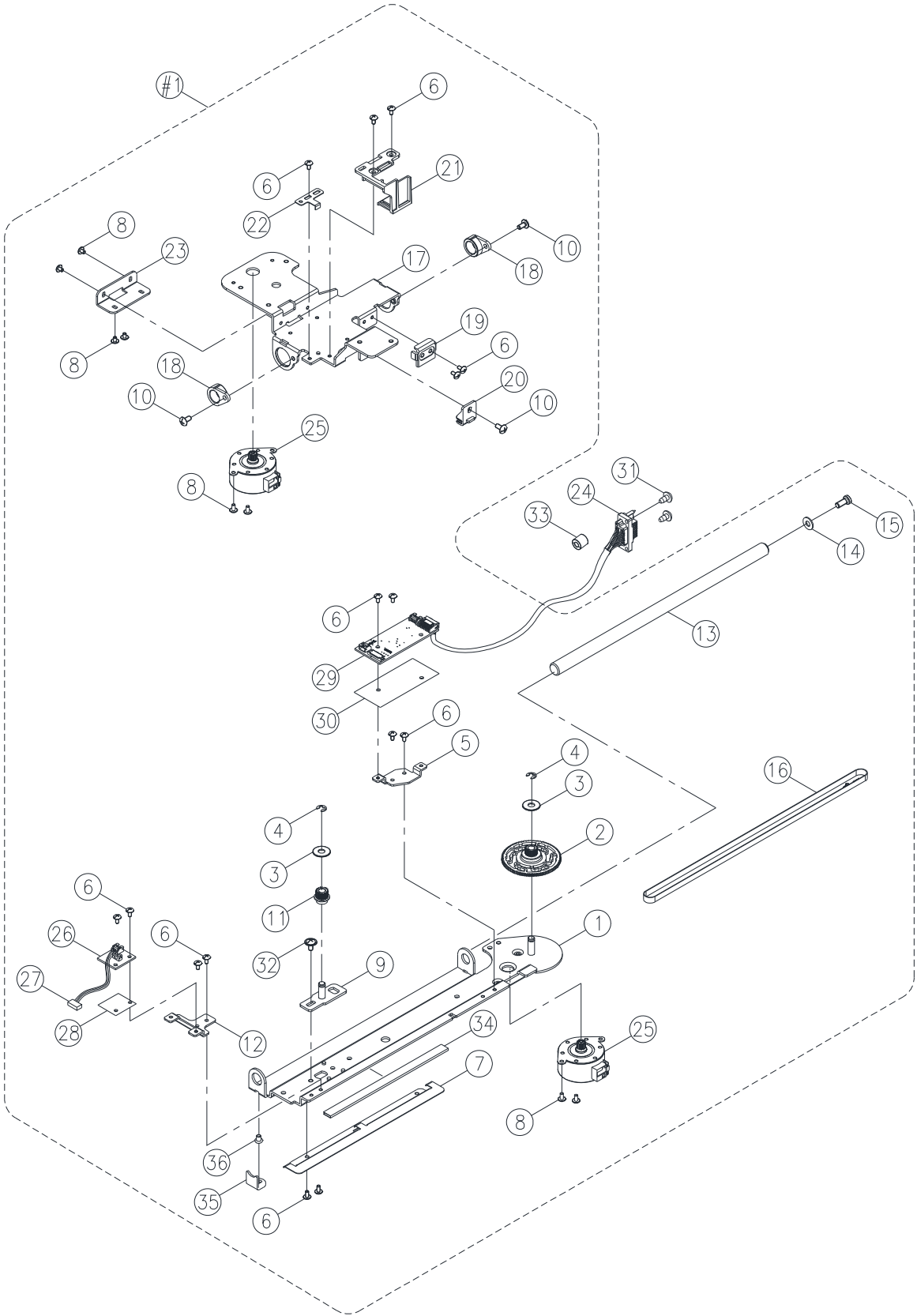
K. MOTOR, POWER SUPPLY & ELECTRONIC PARTS

NO.	PART NO.	DESCRIPTION	REMARK
1	CHAZ393210	D TYPE COVER	
2	004240106	SCREW (M4x8 A)	
3	CAA1103213	LIGHT CASE	
4	CHAZ023210	FRAME OF MAIN CIRCUIT BOARD	
5			
	008CHA0045	MAIN CIRCUIT BOARD	
6	004240146	SCREW (M4x15 B)	
7	H1E0153000	RECEPTACLE HOLDER	
8	008CFA1003	SWITCH RECEPTACLE ASS'Y	
9	008CFA0007	CONTROLLER RECEPTACLE	
10	004230326	SCREW (M3x12 B)	
11	CHA1133000	HF TRANSFORMER BOX	
12	CHA1143000	HF TRANSFORMER BOX COVER	
13	008CHA0044	HF TRANSFORMER CPL.	
14	008CHA0049	HF TRANSFORMER WIRE	
15	004230216	SCREW (M3x8.5)	
16	CHA0923006	BRACKET	
17			
	008CHA0052	CONNECTOR	
18	0042310201	SCREW (M3x10 D)	
19			
	008CHA0061	POWER CORD	
20			
21	002027129	CORD CLIP (L=23)	
22	002549129	CORD CLIP (L=20)	
23	001CAA0002	DC MOTOR	
24			
	008CHA0054	DC MOTOR LEAD CORD	
25	H1A0303006	MOTOR BRACKET	
26	P3C0443000	INSULATION SPACER	
27	P3C0453000	INSULATION SPACER	
28	004230536	SCREW (M3x10)	
29	0042500096	SCREW	
30	CHAZ223582	WIRE FIXING BRACKET	
31	004230016	SCREW (M3x6 A)	
32	008H7B0011	LED HOLDER BRACKET 2	
33	008H7B0010	LED HOLDER BRACKET CABLE	
34	008CHA0056	FERRITE CORES	

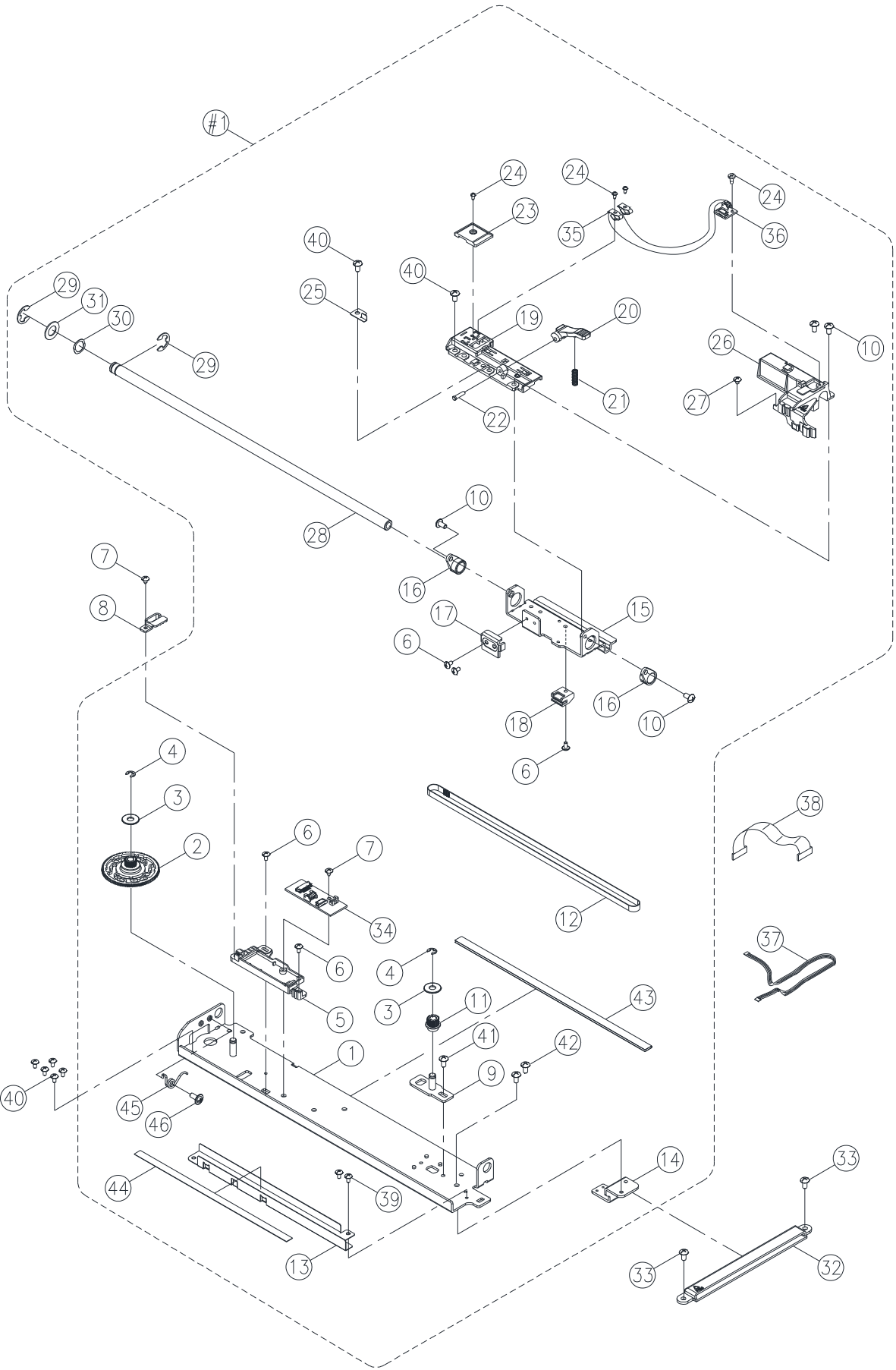
L. EMBROIDERY COMPONENTS



M. X CARRIAGE COMPONENTS



N. Y CARRIAGE COMPONENTS



O. ACCESSORIES (STANDARD)

