

PARTS  
LIST

**NECCHI**

**NCH01A**

N300CHA01  
Sep. 2, 2019

**PLEASE NOTE:**

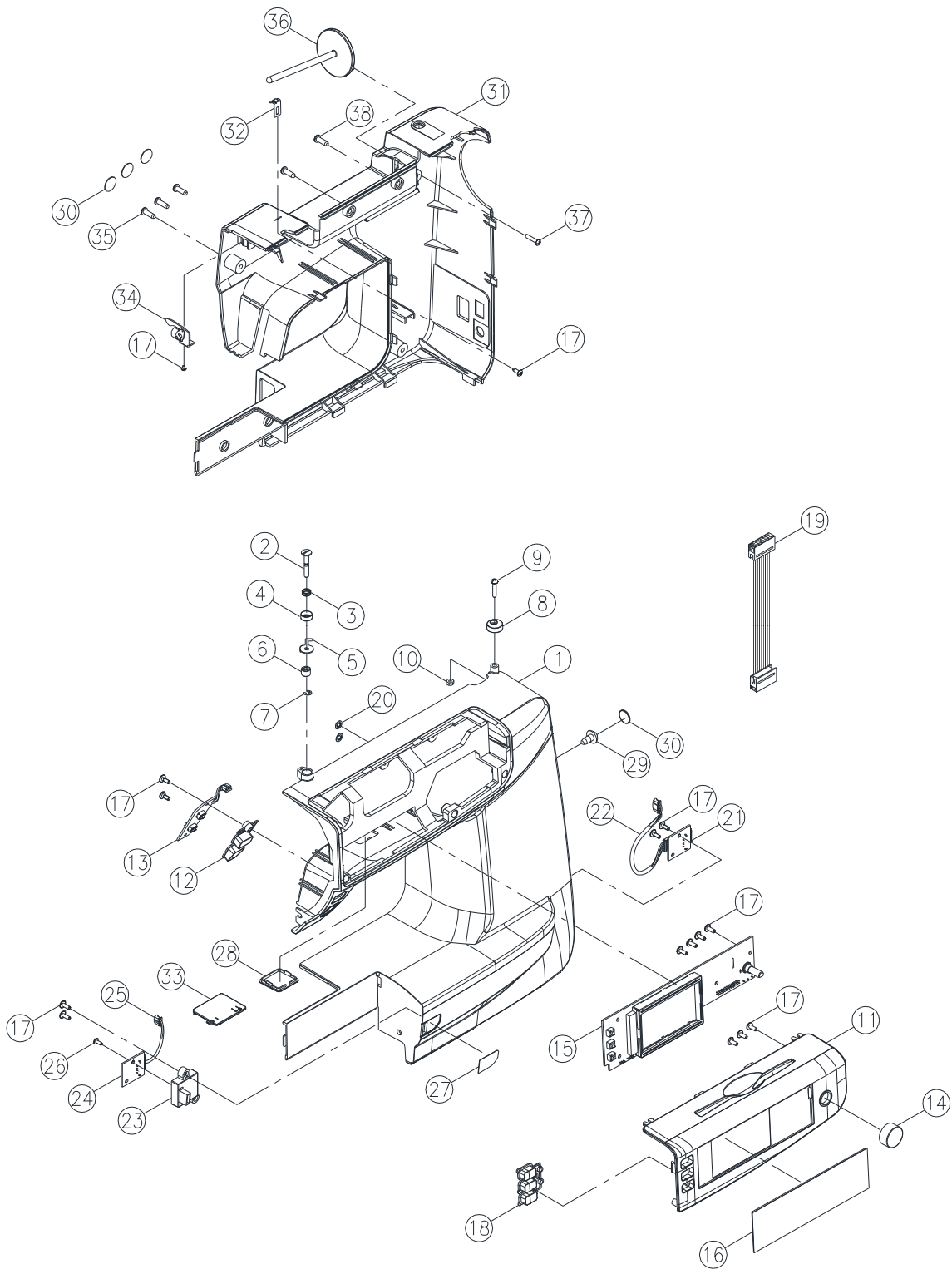
The parts mentioned without number in the parts list are not available.

Take care the parts for the model and the voltage application & spec. you need.

~ LIST OF CONTENTS ~

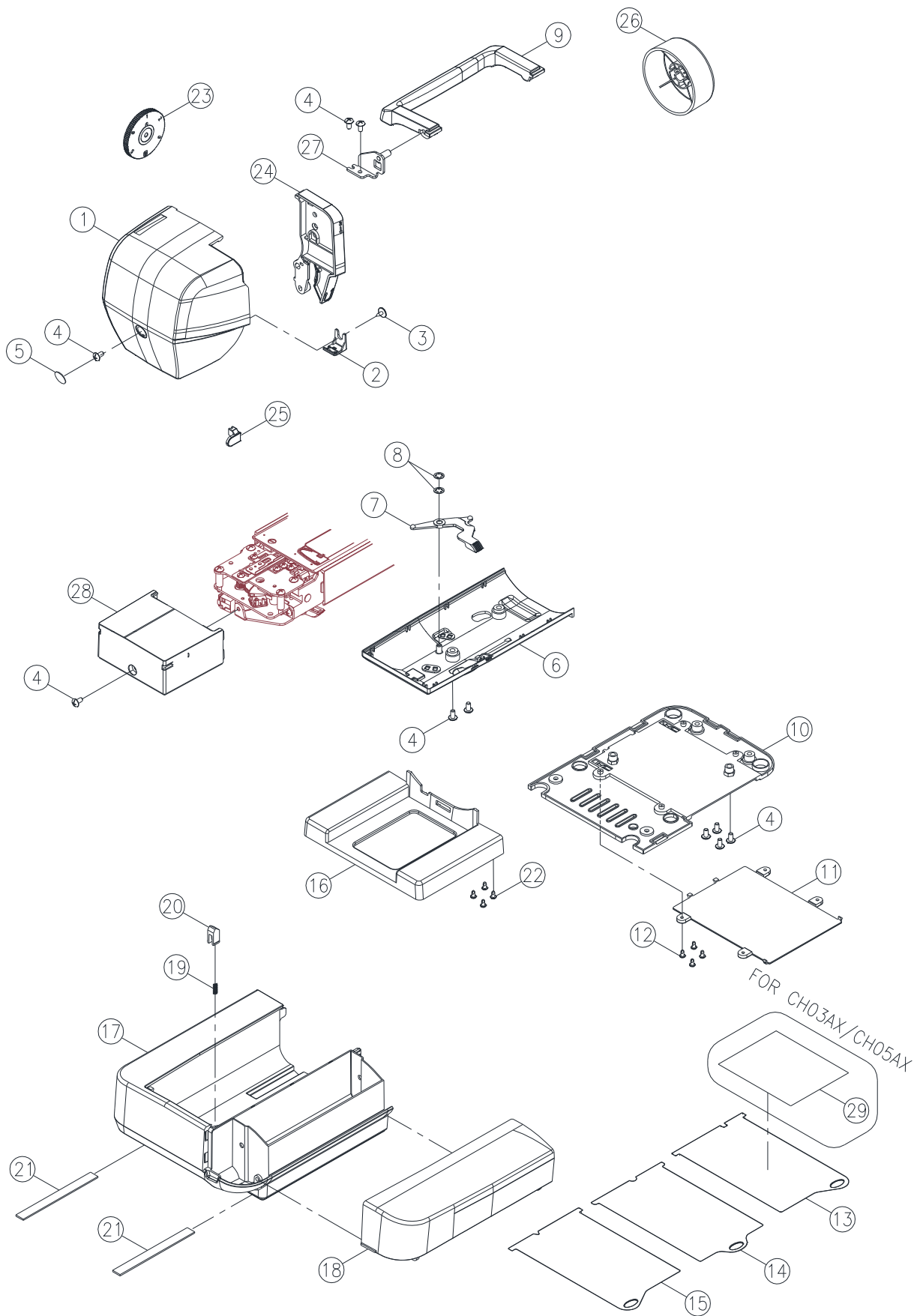
- A. PRINCIPAL COVER COMPONENTS 1
- B. PRINCIPAL COVER COMPONENTS 2
- C. UPPER SHAFT COMPONENTS
- D. PRESSER & NEEDLE PLATE MECHANISM
- E. NEEDLE BAR & ZIGZAG MECHANISM
- F. THREAD CUTTER COMPONENTS
- G. THREAD TENSION MECHANISM
- H. BOBBIN WINDER & BH MECHANISM
- I. FEED MECHANISM
- J. FEED ADJUSTMENT MECHANISM
- K. HOOK & LOWER SHAFT COMPONENTS
- L. MOTOR, POWER SUPPLY & ELECTRONIC PARTS
- M. EMBROIDERY COMPONENTS
- N. X CARRIAGE COMPONENTS
- O. Y CARRIAGE COMPONENTS
- P. ACCESSORIES (STANDARD)

# A. PRINCIPAL COVER COMPONENTS 1



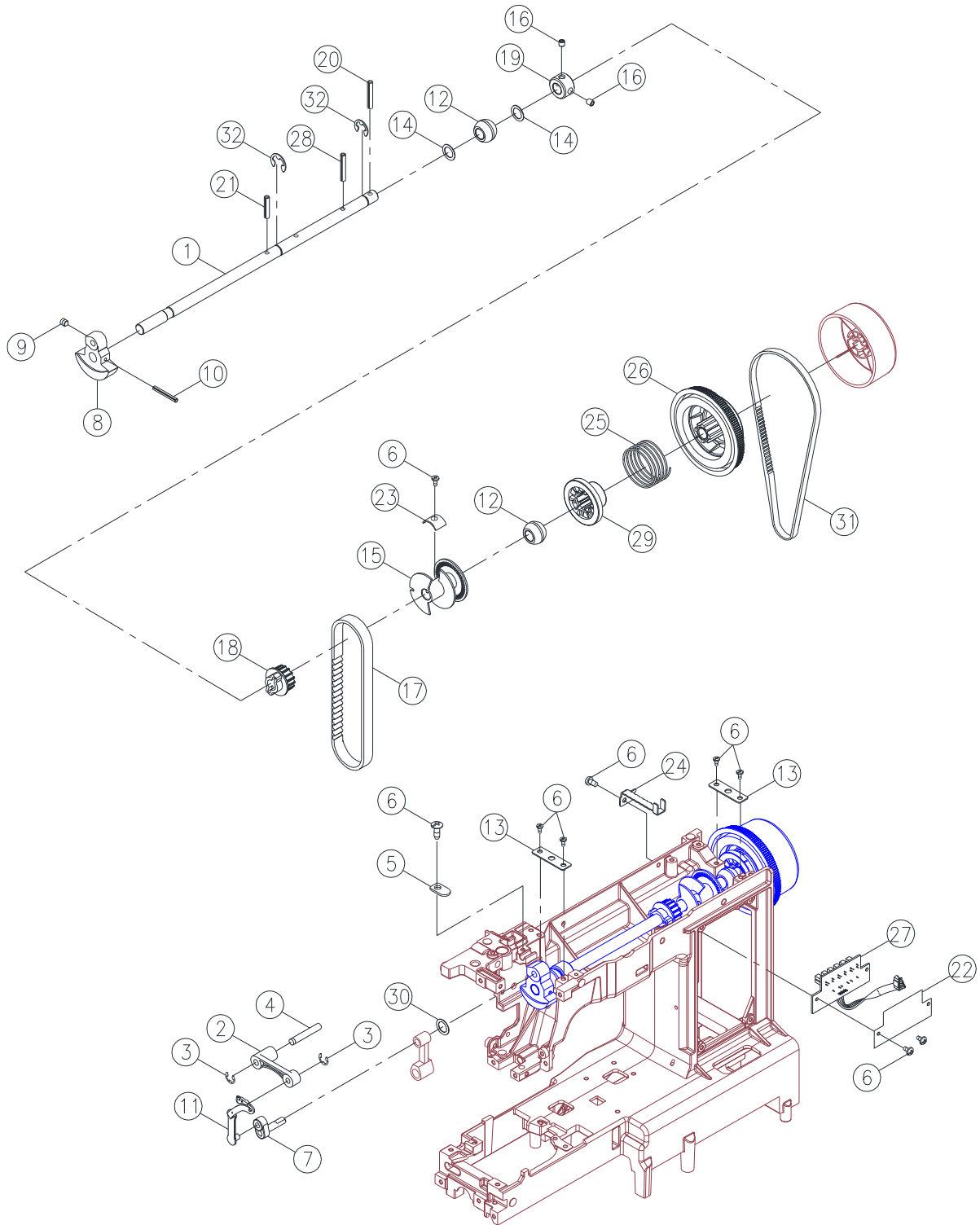


# B. PRINCIPAL COVER COMPONENTS 2





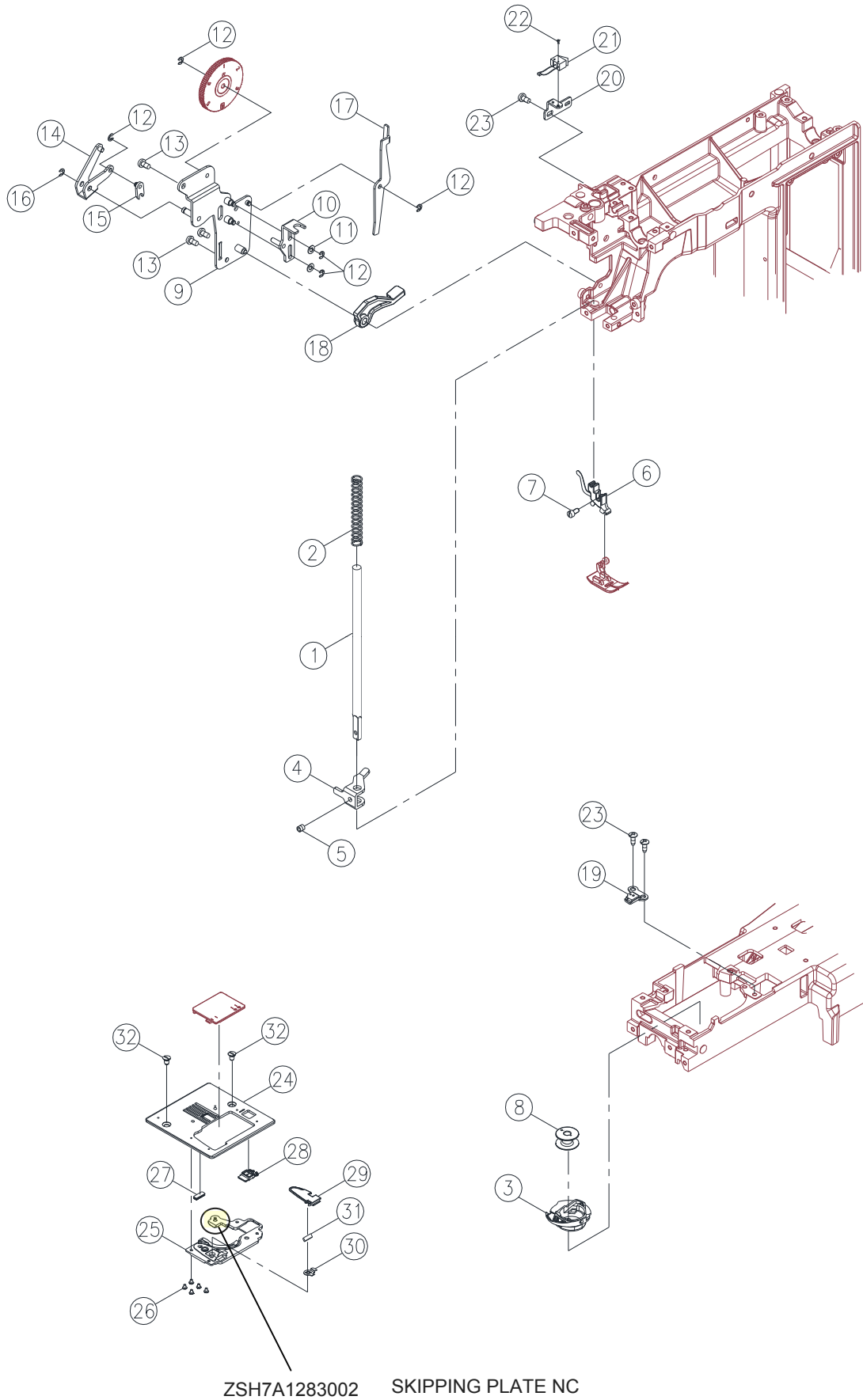
# C. UPPER SHAFT COMPONENTS





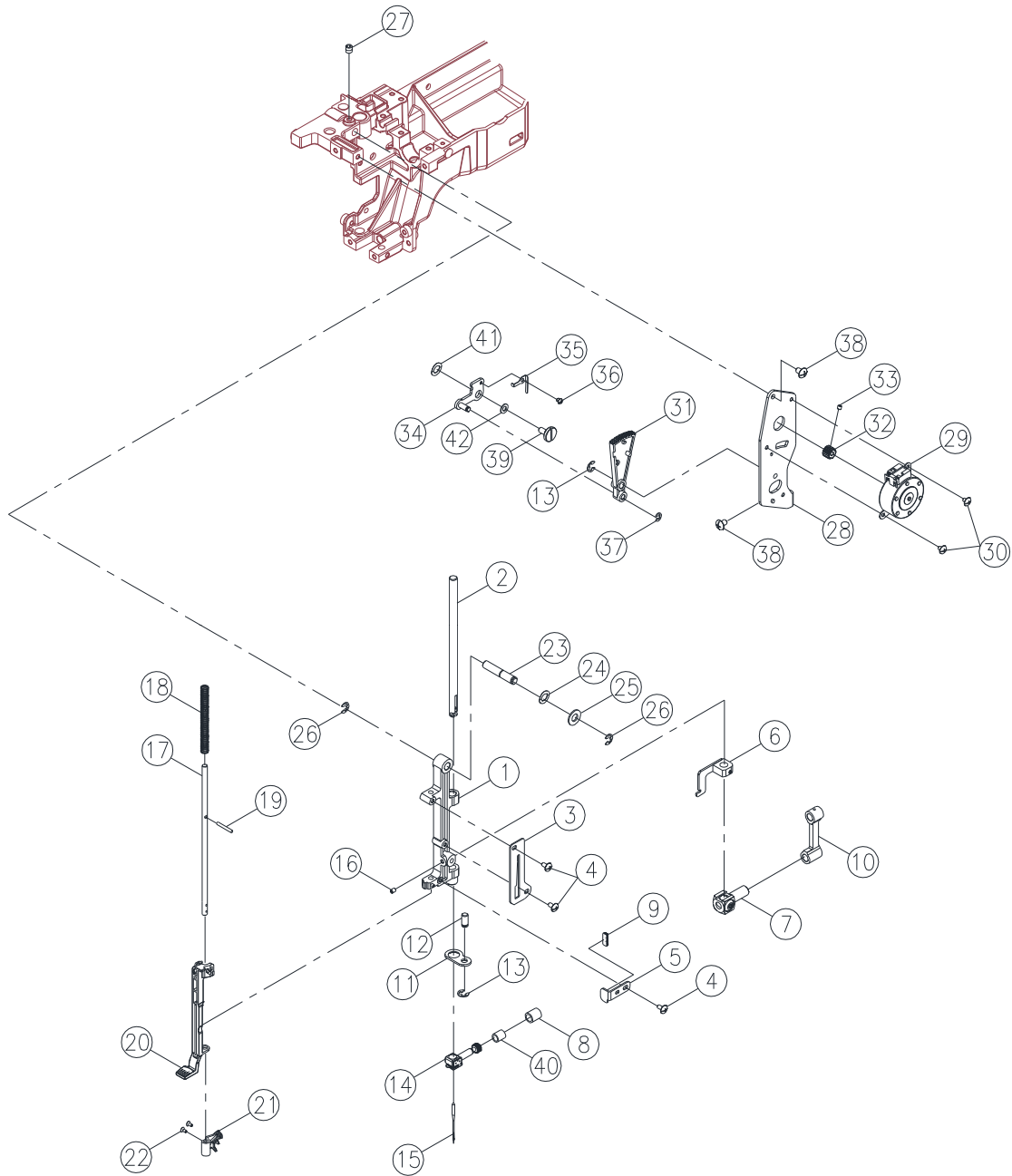


# D. PRESSER & NEEDLE PLATE MECHANISM



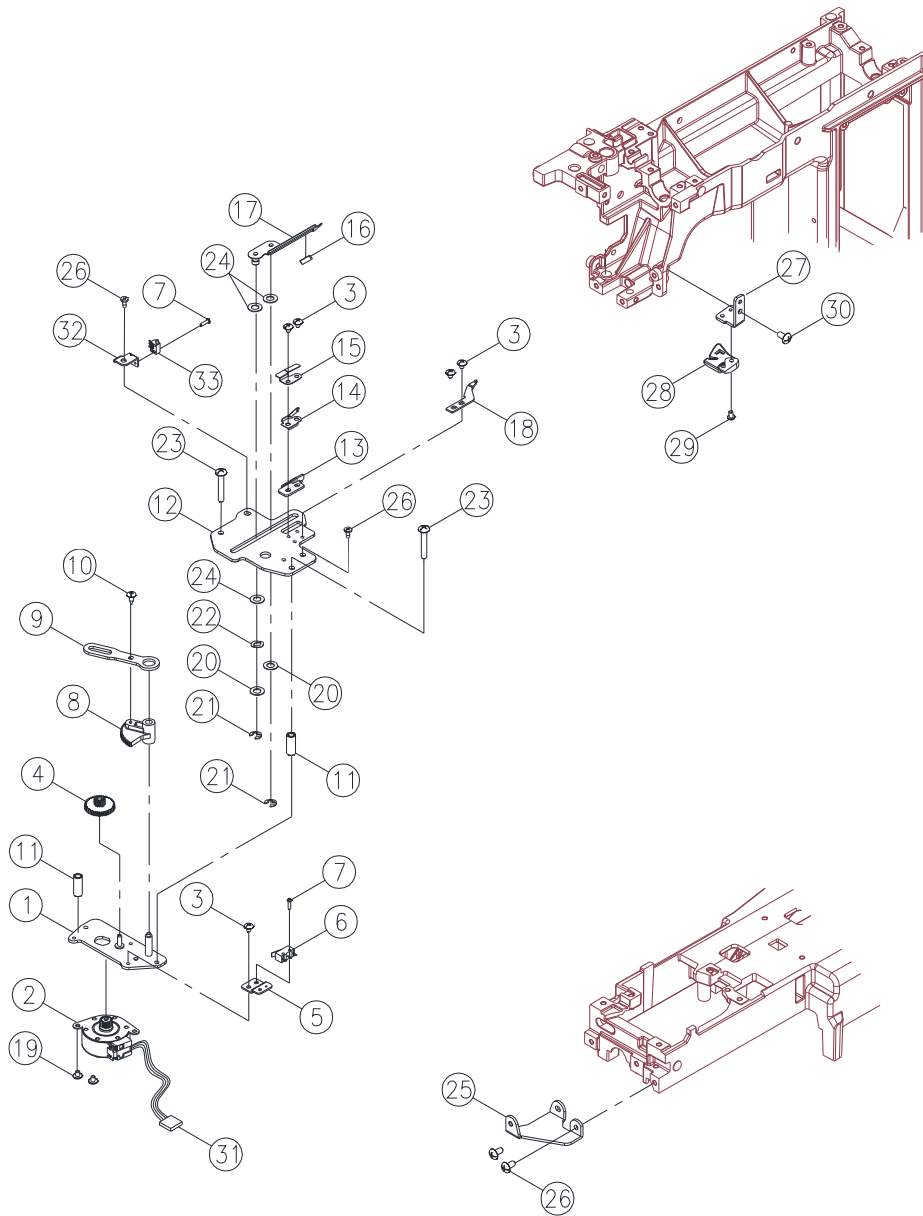


# E. NEEDLE BAR & ZIGZAG MECHANISM



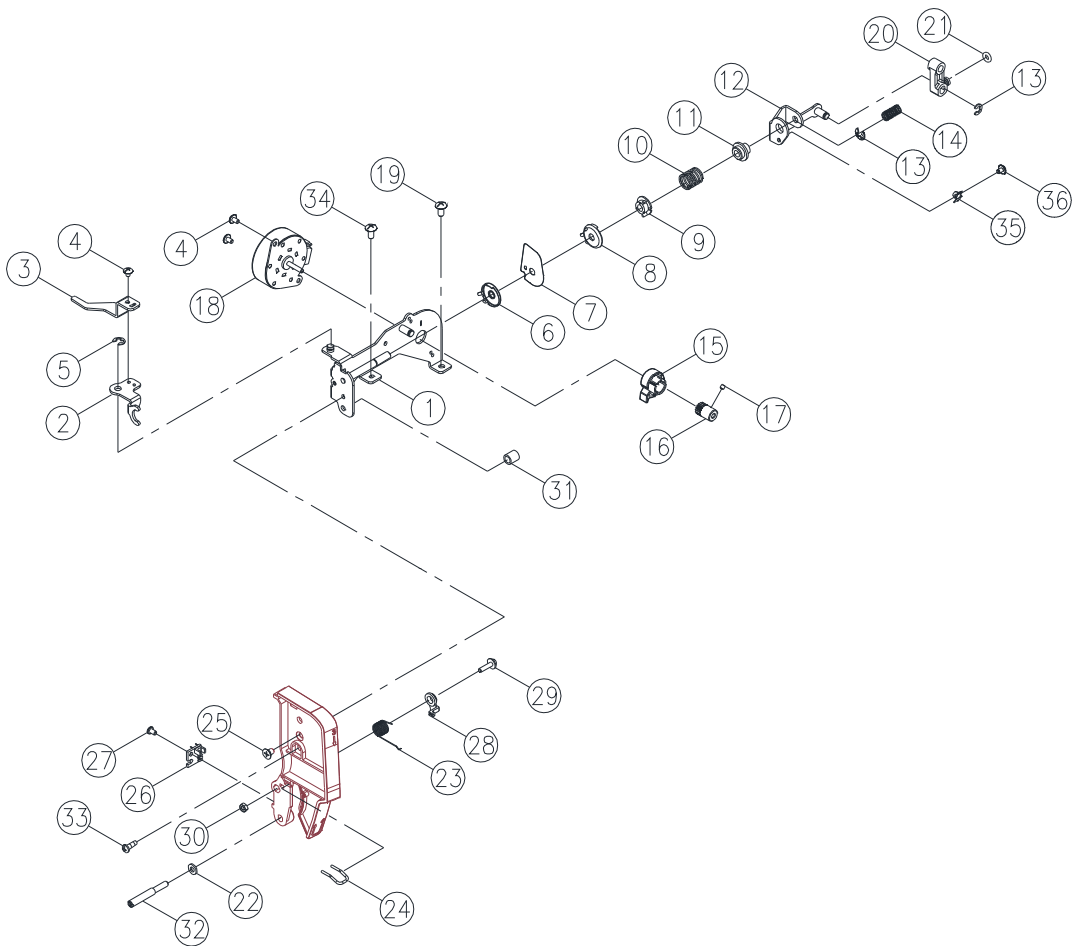


# F. THREAD CUTTER COMPONENTS





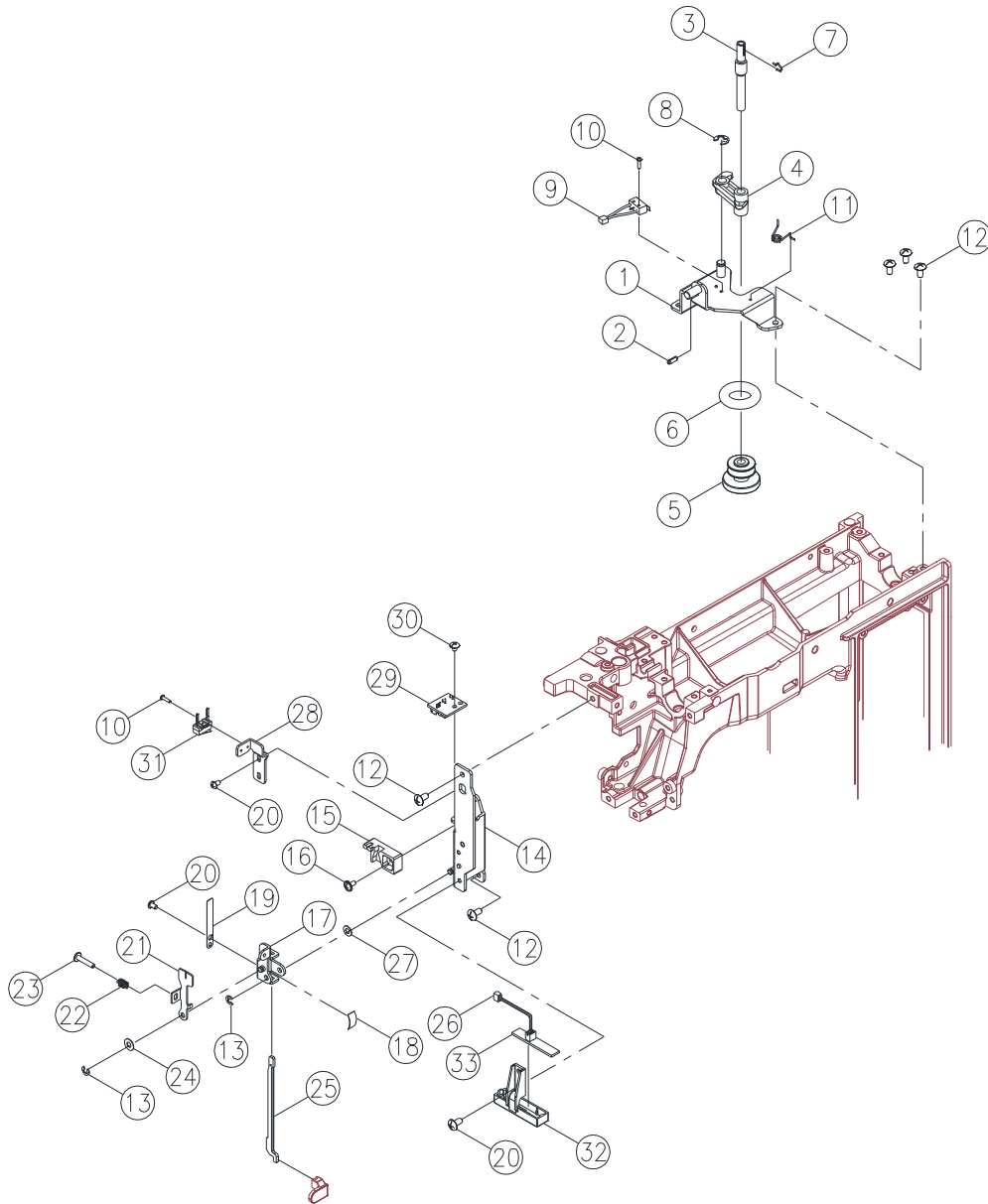
# G. THREAD TENSION MECHANISM





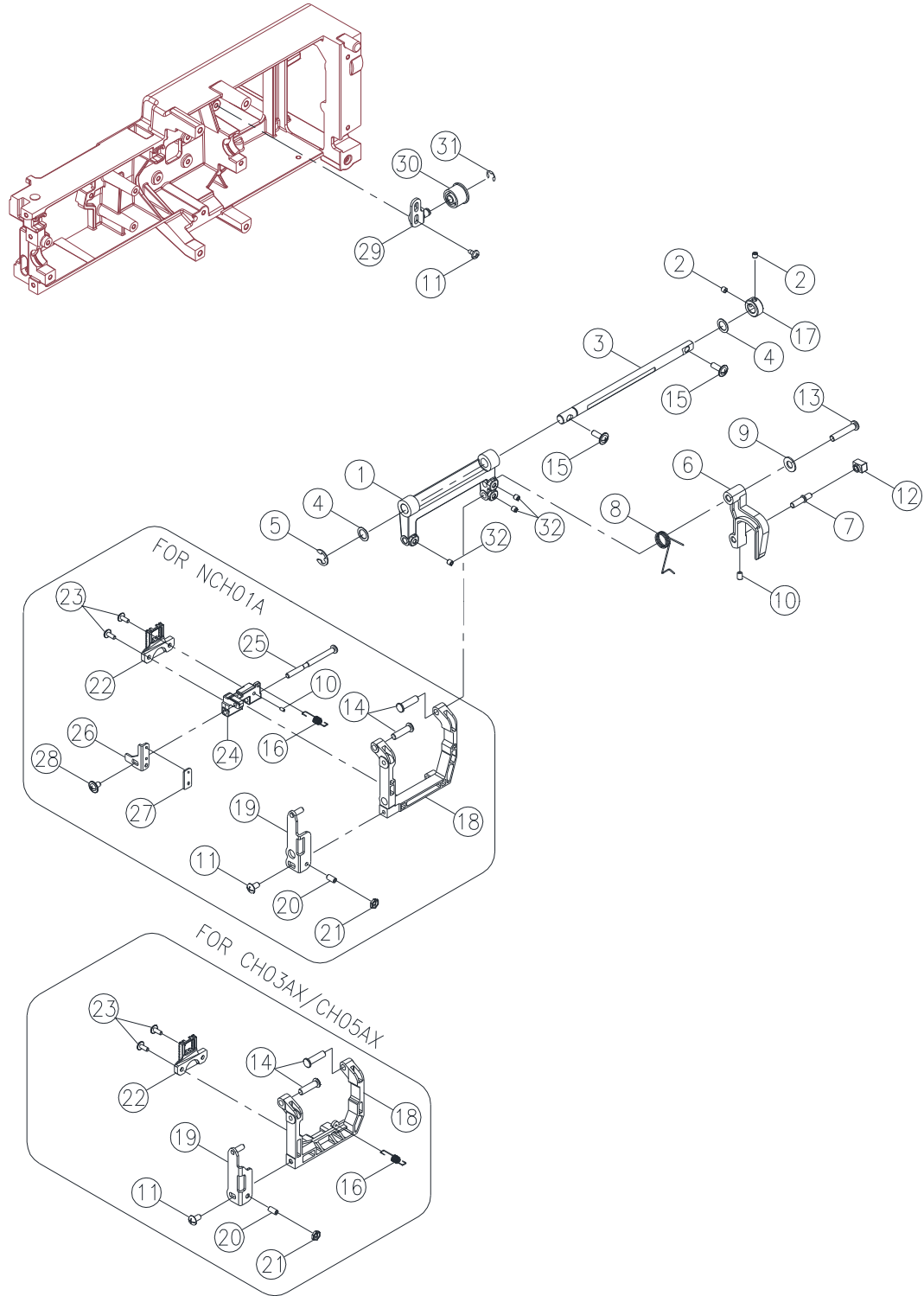


# H. BOBBIN WINDER & BH MECHANISM



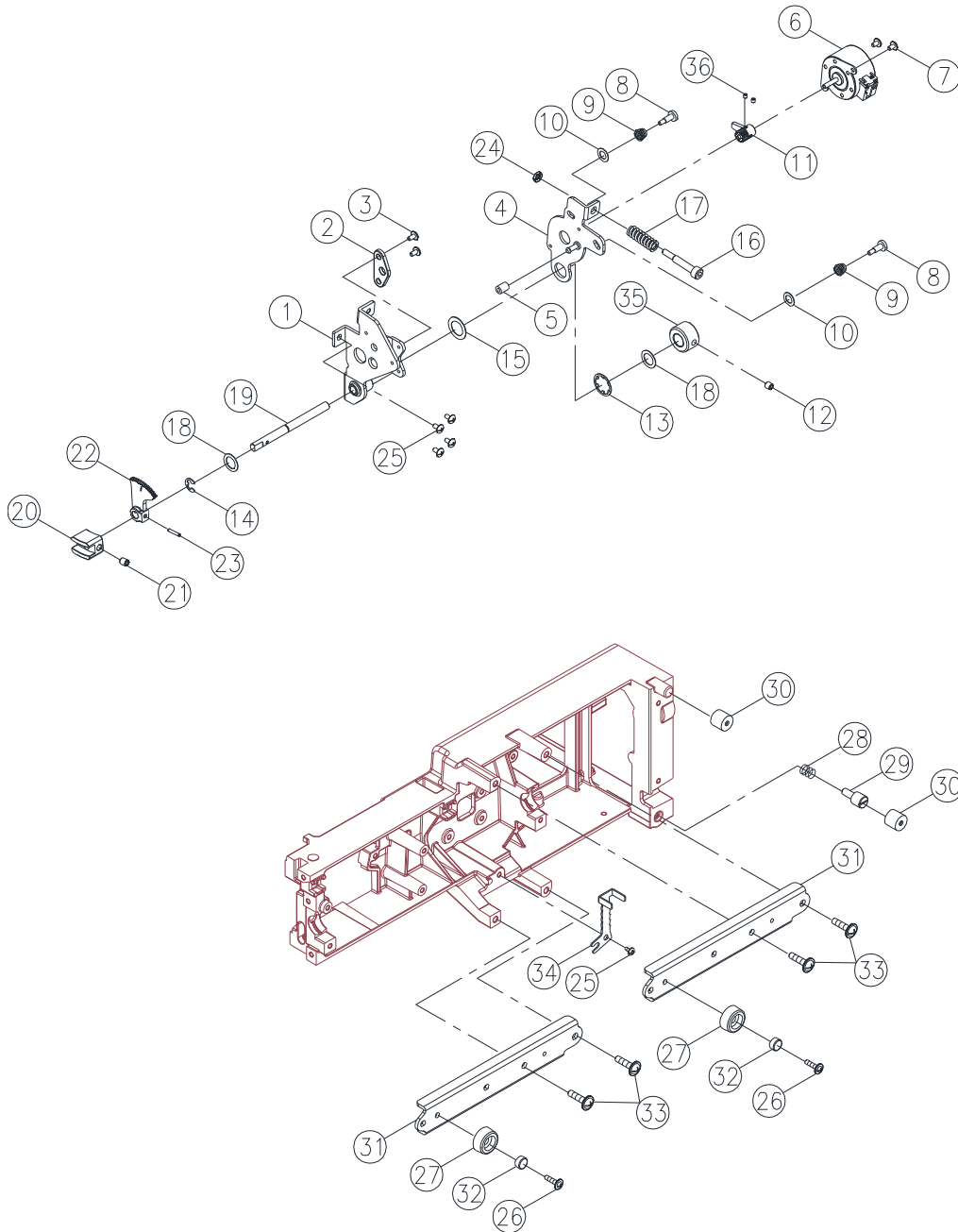


# I. FEED MECHANISM





# J. FEED ADJUSTMENT MECHANISM

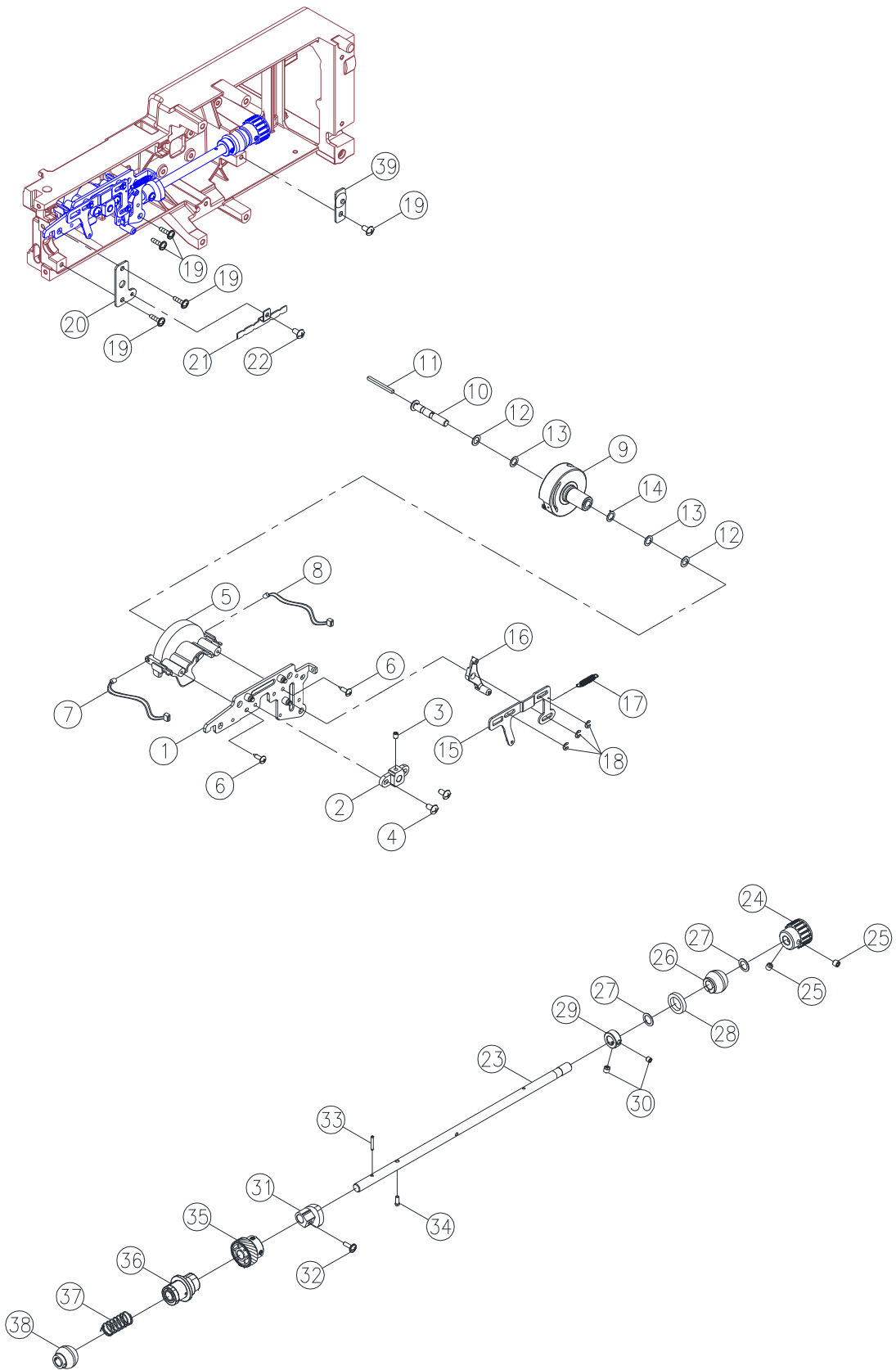


## J. FEED ADJUSTMENT MECHANISM

PREFISSO "ZS" PREFISSO "ZS"

NO.	PART NO.	DESCRIPTION	REMARK
1	CHA0375000	PULSE SUPPORT PLATE CPL.	
2	CHA0623000	BEARING PLATE	
3	004230016	SET SCREW (M3x6 A)	
4	CHA0386000	PULSE MOTOR REGULARING PLATE CPL.	
5	CHA0493000	TUBE	
6	001CJA0001	PULSE MOTOR	
7	0042300066	SET SCREW (M3x4 A)	
8	D3B1313006	SET SCREW	
9	D1E0783003	SPRING	
10	004300986	WASHER (4.2x10x0.5)	
11	CHA0393000	PULSE MOTOR GEAR	
12	004230433	SET SCREW (M3x3 C)	
13	0030100103	CS RING	
14	003010053	E-RING (ETW-5)	
15	0044000300	WASHER (18x18x0.5)	
16	CHA0823003	FEED REGULATING SCREW	
17	CHA0503003	SPRING	
18	004400840	WASHER (6.2x9.6x0.5)	
19	CHA0413000	FEED REGULATING SHAFT	
20	CHA0403000	EED REGULATING	
21	004250193	SET SCREW (M5x6 C)	
22	CHA0363582	FEED ROCK CRANK GEAR	
23	003042014	PIN (2x14)	
24	0048400070	ADJUSTING NUT (ALN-4)	
25	004240106	SET SCREW (M4x8)	
26	004240586	SET SCREW (M4x8)	
27	F31453000	FREE ARM BASE CUSHION RUBBER	
28	E1A2573006	BASE PLATE ADJUSTMENT SCREW SPRING	
29	K82133006	BASE PLATE ADJUSTMENT SCREW	
30	K6A0063002	FREE ARM BASE CUSHION RUBBER	
31	H1A0413006	FREE ARM BASE CUSHION	
32	H1A0583003	SPACER	
33	004250346	SET SCREW (M5x10)	
34	CHA1073003	ELECTRIC WIRE PRESS BOARD	
35	R1A1723003	FEED COLLAR	
36	004230203	SET SCREW (M3x4 C)	

# K. HOOK & LOWER SHAFT COMPONENTS



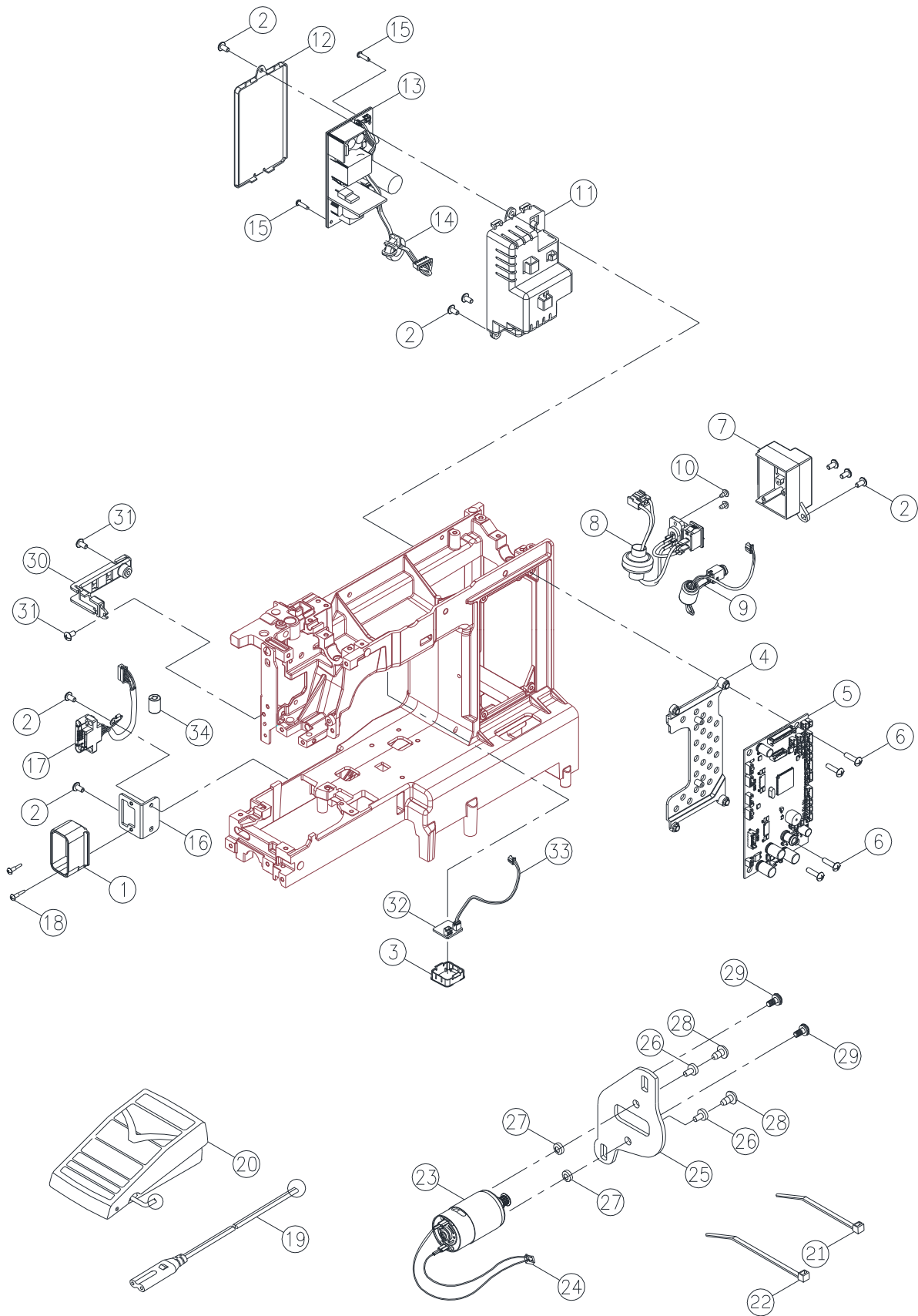
**K. HOOK & LOWER SHAFT COMPONENTS**

**PREFISSO "ZS" PREFISSO "ZS"**

NO.	PART NO.	DESCRIPTION	REMARK
1	CJA0965000	ROTARY HOOK HOLDER	
2	E1A0543000	ROTARY HOOK SUPPORTER	
3	004240033	SET SCREW (M4x5 C)	
4	004240106	SET SCREW (M4x8 A)	
5	CJA1303582	SHUTTLE HOOK COVER	
6	004230066	SET SCREW (M3x12)	
7	008CHA0026	LOWER THREAD DETECTION LAUNCHER	
8	008CHA0027	LOWER THREAD DETECTION RECEIVER	
9	Q6A0704000	SHUTTLE HOOK HOLDER	
10	E1A2033000	BOBBIN SHAFT	
11	NB0693000	BOBBIN SHAFT OIL CLOTH	
12	NB0673000	BOBBIN SHAFT WASHER (2)	
13	004400840	ENDURE ATTRITION WASHER	
14	NB0683000	BOBBIN SHAFT WASHER (3)	
15	CJA1015000	TOOTH LEVER SUPPORTER PLATE CPL.	
16	CJA1043000	TOOTH LEVER ARM	
17	CJA1023000	TOOTH LEVER SUPPORTER PLATE SPRING	
18	003011033	E-RING (ETW-3)	
19	004240586	SET SCREW (M4x8)	
20	CJA1183003	BIAS BUSHING PRESSER PLATE	
21	CJA1153003	BUSHING PRESSER PLATE	
22	004240056	SET SCREW (M4x6 B)	
23	CHA0613000	LOWER SHAFT	
24	CHA0593003	LOWER SHAFT BELT PULLEY	
25	004250203	SET SCREW (M5x5 C)	
26	CJA0823000	LOWER SHAFT BUSHING	
27	004400830	ENDURE ATTRITION WASHER (8.2x12x0.5)	
28	R1A2823000	FELT SEAL	
29	V11553003	LOWER SHAFT COLLAR	
30	004240503	SET SCREW (M4x4 C)	
31	CHA0673582	FEED ROCK CAM	
32	0042300116	SET SCREW (M3x10)	
33	003042014	PIN (2x14)	
34	P3A0433003	FEED LIFTING ROCK COM PIN	
35	CJB0554000	LOWER SHAFT GEAR CPL.	
36	CHA0523582	FEED LIFTING ROCK CAM	
37	CJA1293003	LOWER SHAFT SPRING	
38	CJA0833000	LOWER SHAFT BIAS BUSHING	
39	CHA0663003	BUSHING PRESSER PLATE	



# L. MOTOR, POWER SUPPLY & ELECTRONIC PARTS

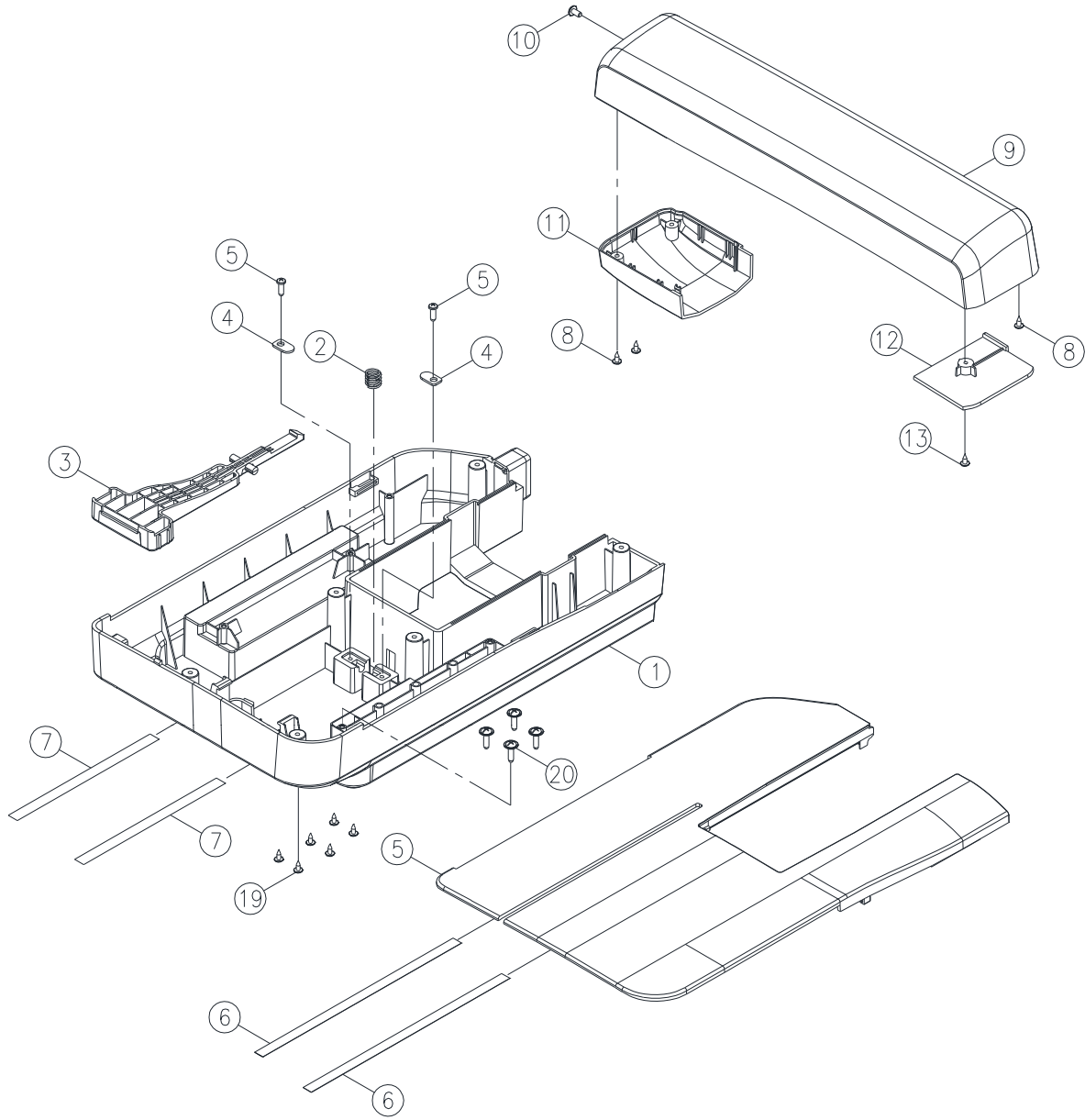


## L. MOTOR, POWER SUPPLY &amp; ELECTRONIC PARTS

NO.	PART NO.	DESCRIPTION	REMARK
1	CHAZ393210	D TYPE COVER	
2	004240106	SET SCREW (M4x8 A)	
3	CAA1103213	LIGHT CASE	
4	CHAZ023210	FRAME OF MAIN CIRCUIT BOARD	
5	008CHA0001	MAIN CIRCUIT BOARD	
6	004240146	SET SCREW (M4x15 B)	
7	H1E0153000	RECEPTACLE HOLDER	
8	008CFA1003	SWITCH RECEPTACLE ASS'Y	
9	008CFA0007	CONTROLLER RECEPTACLE	
10	004230326	SET SCREW (M3x12 B)	
11	CHA1133000	HF TRANSFORMER BOX	
12	CHA1143000	HF TRANSFORMER BOX COVER	
13	008CHA0044	HF TRANSFORMER CPL.	
14	008CHA0049	HF TRANSFORMER WIRE	
15	004230216	SET SCREW (M3x8.5)	
16	CHA0923006	BRACKET	
17	008CHA0012	CONNECTOR	
18	0042310201	SET SCREW (M3x10 D)	
19	002542118	POWER CORD	
20	002H1E0001	FOOT CONTROLLER	
21	002027129	CORD CLIP (L=23)	
22	002549129	CORD CLIP (L=20)	
23	001CAA0002	DC MOTOR	
24	008H7B0013	DC MOTOR LEAD CORD	
25	H1A0303006	MOTOR BRACKET	
26	P3C0443000	INSULATION SPACER	
27	P3C0453000	INSULATION SPACER	
28	004230536	SET SCREW (M3x10)	
29	0042500096	SET SCREW	
30	CHAZ223582	WIRE FIXING BRACKET	
31	004230016	SET SCREW (M3x6 A)	
32	008H7B0011	LED HOLDER BRACKET 2	
33	008H7B0010	LED HOLDER BRACKET CABLE	
34	008CHA0056	FERRITE CORES	

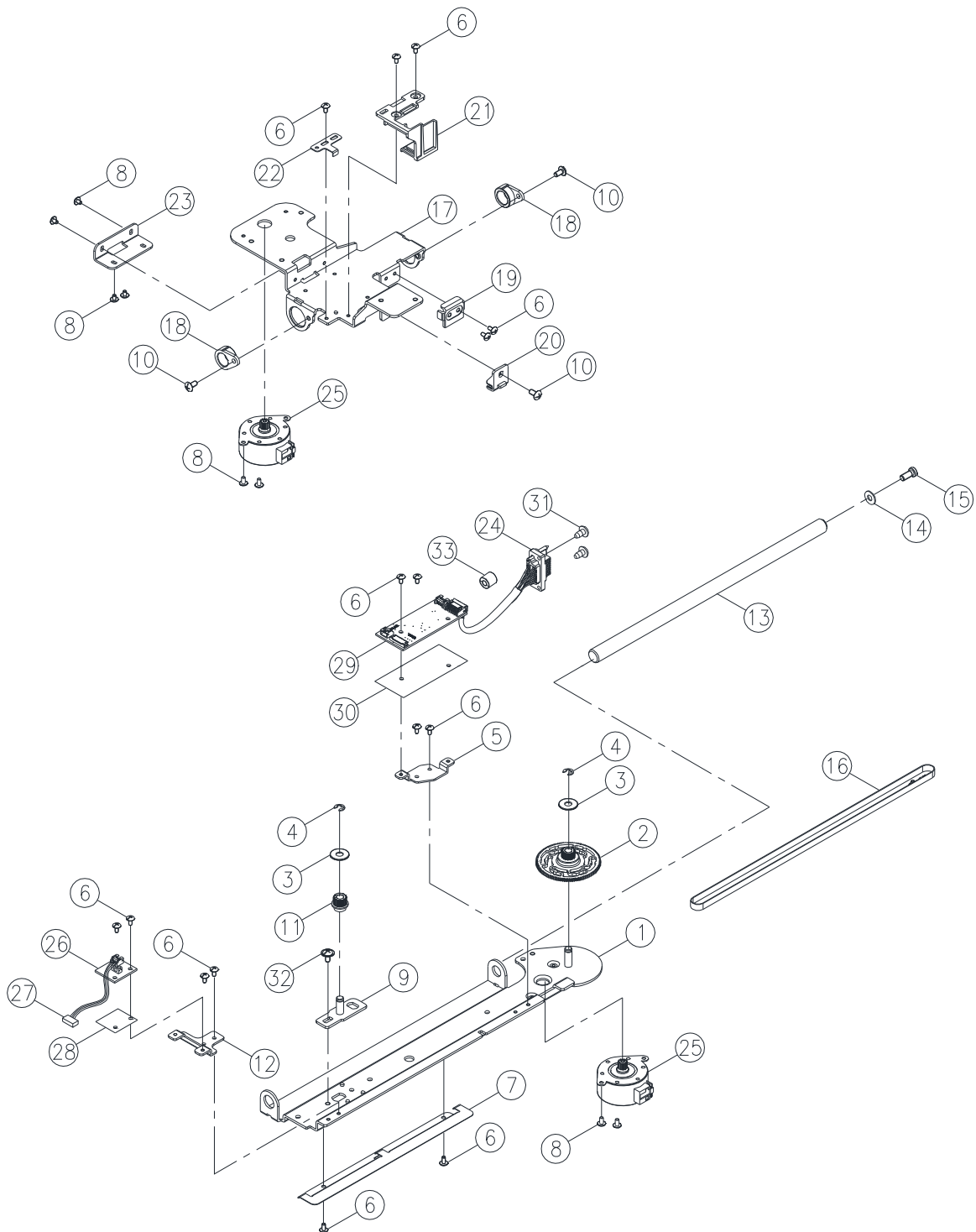
PREFISSO "ZS"  
 PREFISSO "ZS"

# M. EMBROIDERY COMPONENTS



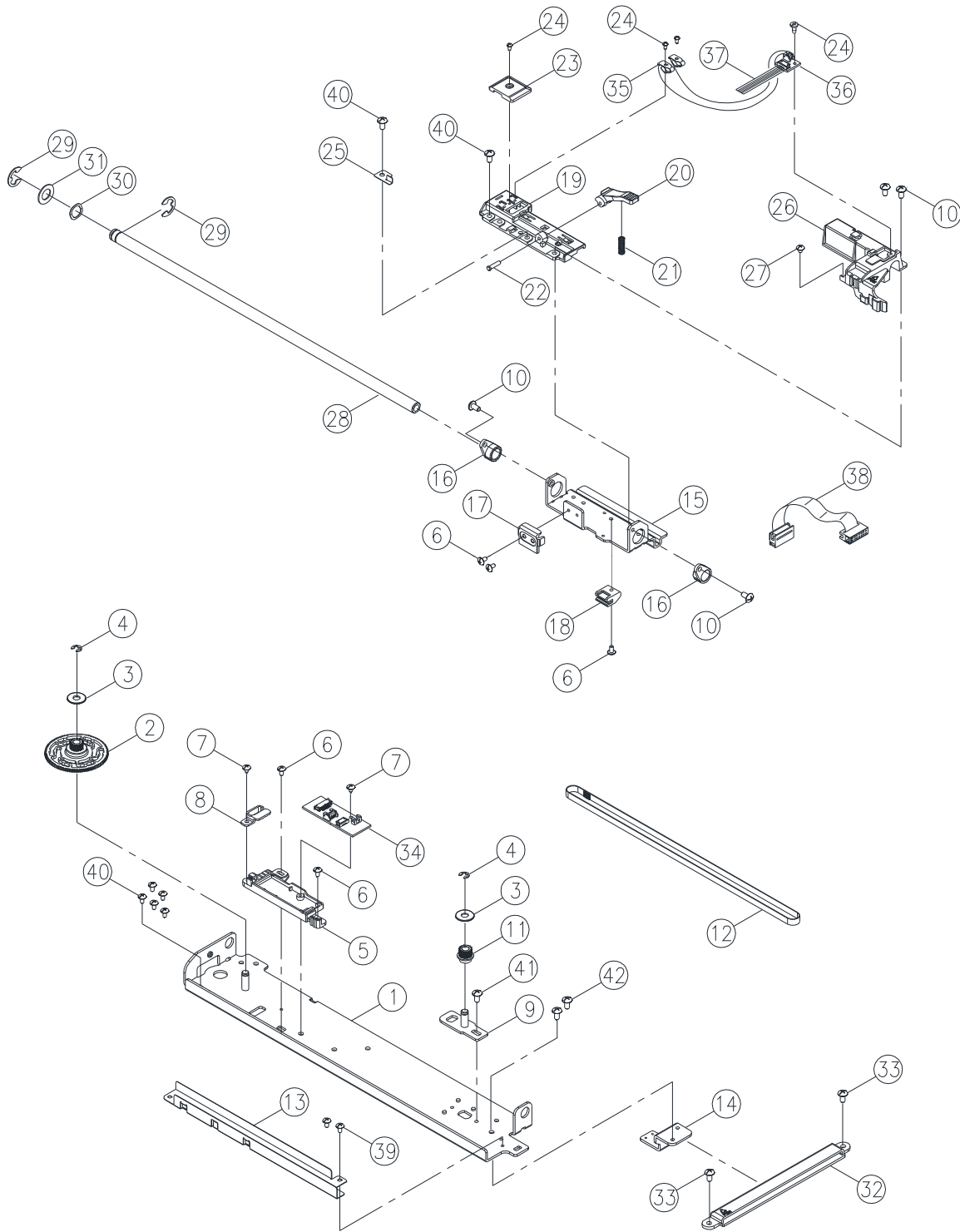


# N. X CARRIAGE COMPONENTS





# O. Y CARRIAGE COMPONENTS







# P. ACCESSORIES (STANDARD)

