

PARTS
LIST

NECCHI

NC-102D

NC-103D

NC-204D

PLEASE NOTE:

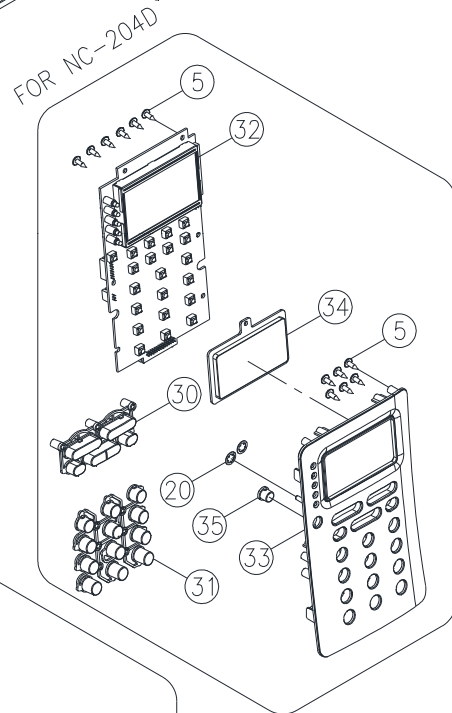
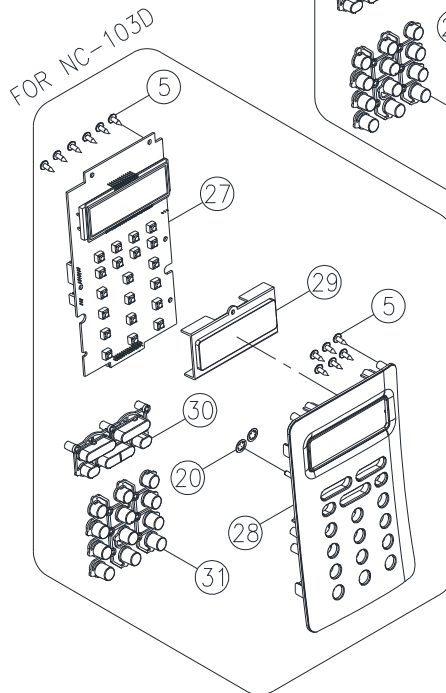
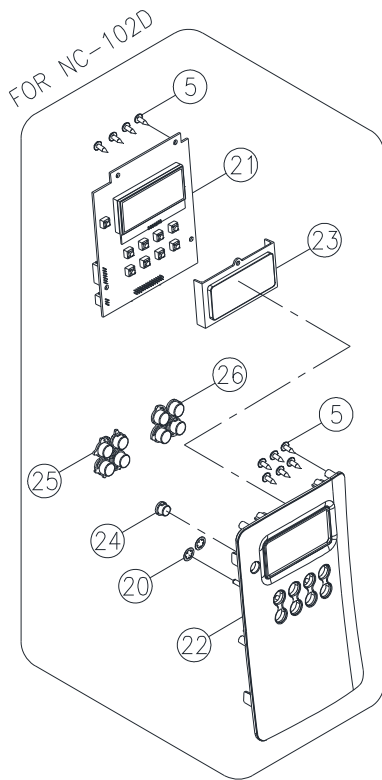
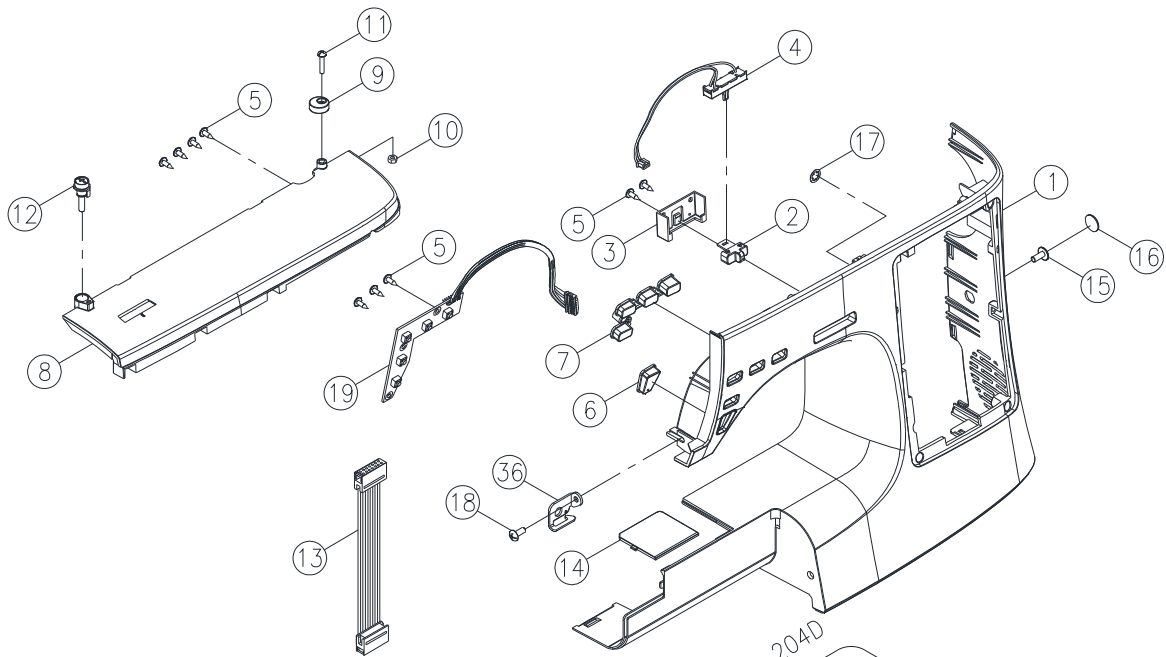
The parts mentioned without number in the parts list are not available.

Take care the parts for the model and the voltage application & spec. you need.

~ LIST OF CONTENTS ~

- A. PRINCIPAL COVER COMPONENTS 1
- B. PRINCIPAL COVER COMPONENTS 2
- C. PRINCIPAL COVER COMPONENTS 3
- D. UPPER SHAFT COMPONENTS
- E. NEEDLE BAR & PRESSER MECHANISM
- F. THREAD CUTTER COMPONENTS_FOR NC-204D
- G. BH MECHANISM & NEEDLE PLATE COMPONENTS
- H. BOBBIN WINDER & THREAD TENSION MECHANISM
- I. ZIGZAG & FEED MECHANISM
- J. FEED MECHANISM
- K. HOOK & LOWER SHAFT COMPONENTS
- L. MOTOR, POWER SUPPLY & ELECTRONIC PARTS
- M. ACCESSORIES (STANDARD)

A. PRINCIPAL COVER COMPONENTS 1

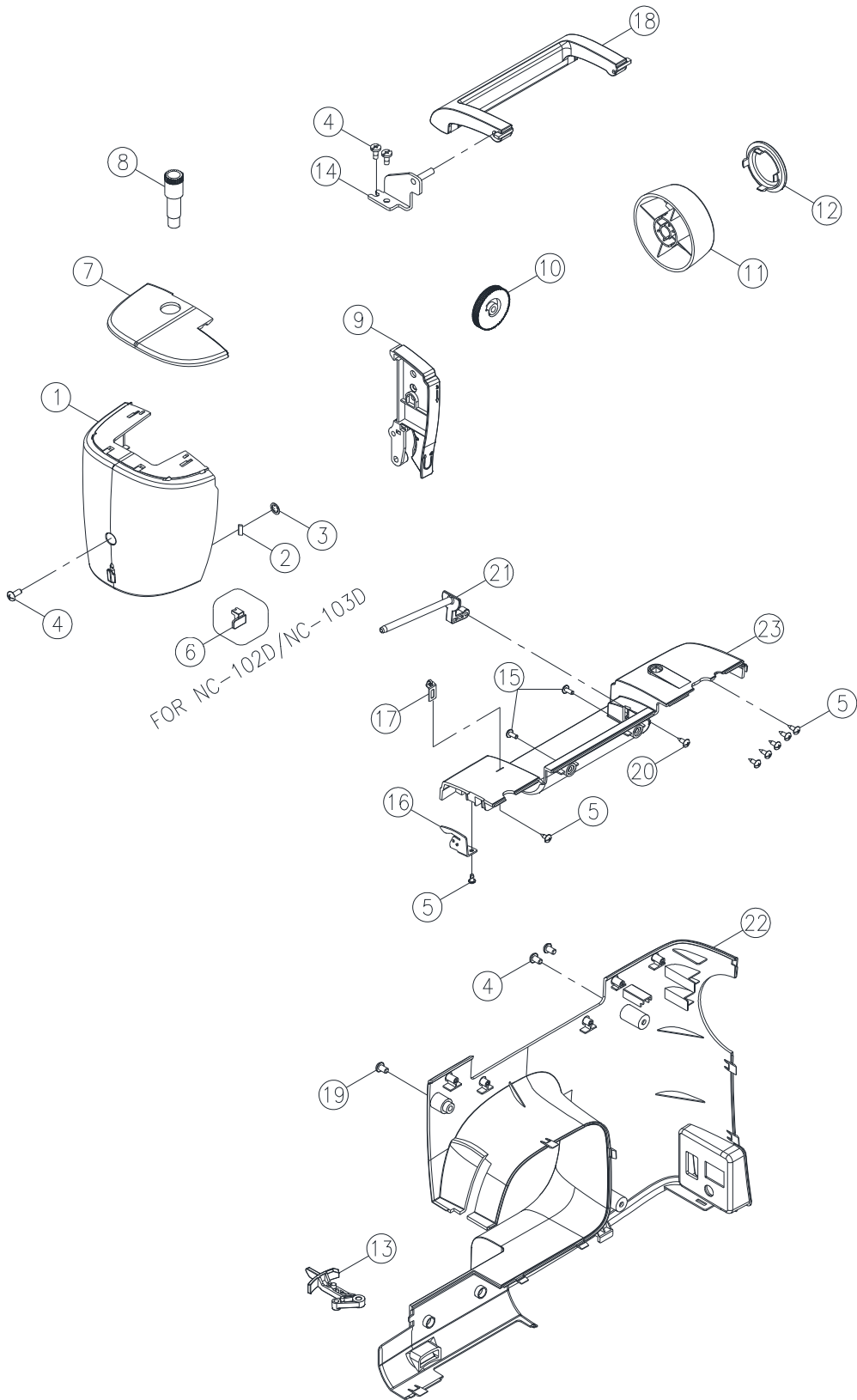


A. PRINCIPAL COVER COMPONENTS 1

PREFISSO "ZS" PREFISSO "ZS"

NO.	PART NO.	DESCRIPTION	REMARK
1	H7DC013210	FRONT COVER	FOR NC-102D
	H7DC023210	FRONT COVER	FOR NC-103D/NC-204D
2	H7DZ053210	SLIDE VOLUME KNOB	
3	D3B4043210	SLIDE VOLUME KNOB CONNECTOR	
4	008H7C0007	SLIDE VOLUME	
5	004230216	SET SCREW (M3x8.5)	
6	H7DN023210	START/STOP BUTTON	
7	H7DN043210	OPERATION BUTTON	FOR NC-102D
	H7DN083210	OPERATION BUTTON	FOR NC-103D
	H7DN073210	OPERATION BUTTON	FOR NC-204D
8	H7DA043382	TOP COVER (FRONT)	FOR NC-102D
	H7DA113186	TOP COVER (FRONT)	FOR NC-103D
	H7DA113255	TOP COVER (FRONT)	FOR NC-204D
9	K6B0393000	BOBBIN WINDER	
10	004706013	NUT (9/64x40x3)	
11	004106378	SET SCREW (9/64x4x18)	
12	H7D0124000	BOBBIN WINDER THREAD GUIDE ADJUSTING CPL.	
13	008H1E0003	ROW LINE	
14	H3BA093031	NEEDLE PLATE COVER	
15	004240586	SET SCREW (M4x8)	
16	V61503210	PLATE (1)	
17	003020053	CS RING (CSTW-5)	
18	004240106	SET SCREW (M4x8 A)	
19	008H7D0002	UP & DOWN FIXED POSITION SWITCH	
20	003020033	CS RING (CSTW-3)	
21	008H7D0004	LCD MAIN CIRCUIT BOARD	FOR NC-102D
22	H7DP083210	FRONT PANEL	FOR NC-102D
23	H7DZ403031	LCD PLASTIC COVER	FOR NC-102D
24	H7DZ243382	MODE SELECT BUTTON	FOR NC-102D
25	H7DN013382	PATTERN SELECT BUTTON	FOR NC-102D
26	H7DN033210	STITCH LENGTH BUTTON	FOR NC-102D
27	008H7D0005	LCD MAIN CIRCUIT BOARD	FOR NC-103D
28	H7DP093210	FRONT PANEL	FOR NC-103D
29	H7DZ413031	LCD PLASTIC COVER	FOR NC-103D
30	H7DN053186	FUNCTION BUTTON	FOR NC-103D
	H7DN093255	FUNCTION BUTTON	FOR NC-204D
31	H7DN063210	NUMERAL BUTTON	FOR NC-103D
	H7DN103210	NUMERAL BUTTON	FOR NC-204D
32	008H7D0006	LCD MAIN CIRCUIT BOARD	FOR NC-204D
33	H7DP103210	FRONT PANEL	FOR NC-204D
34	H7DZ423031	LCD PLASTIC COVER	FOR NC-204D
35	H7DZ323255	MODE SELECT BUTTON	FOR NC-204D
36	CJB0443001	ARM THREAD GUIDE PLATE	

B. PRINCIPAL COVER COMPONENTS 2

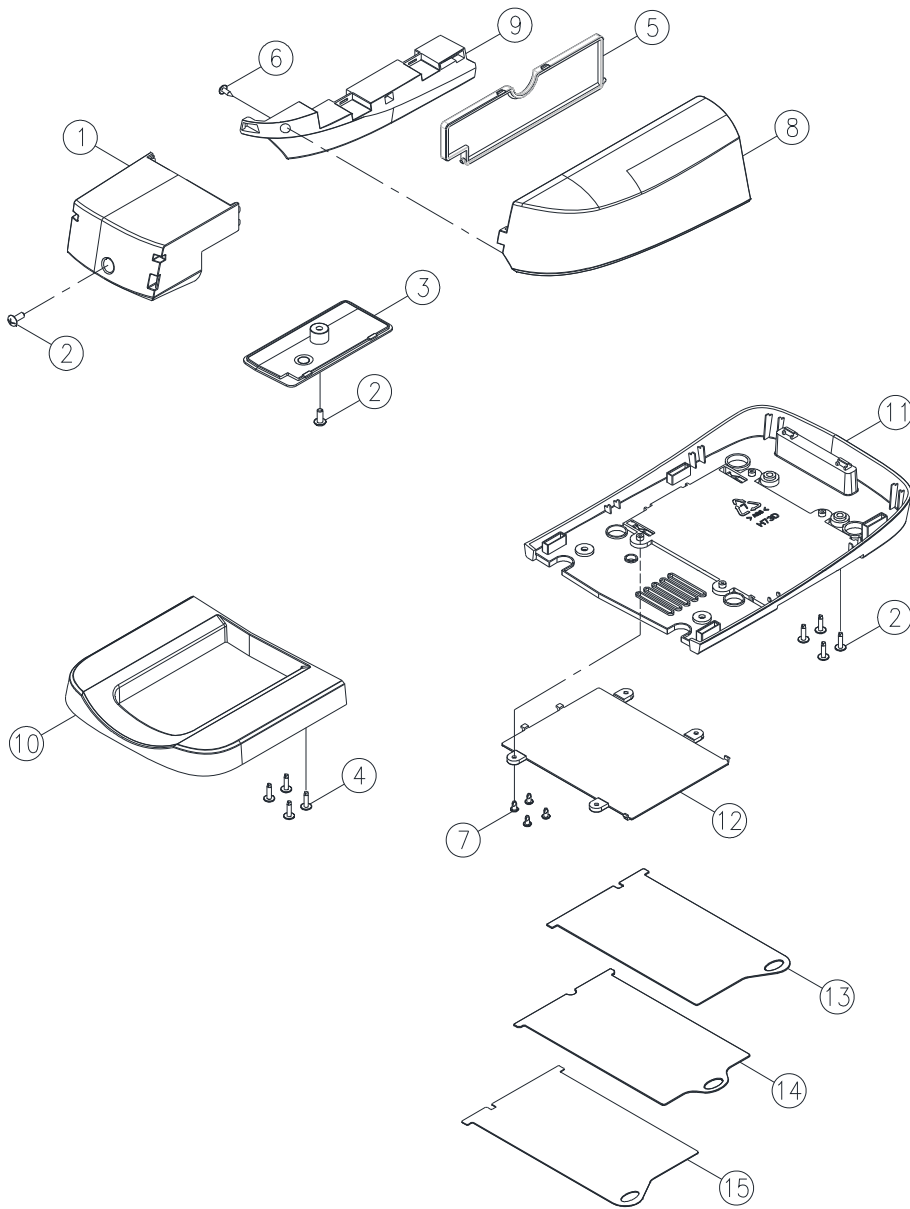


B. PRINCIPAL COVER COMPONENTS 2

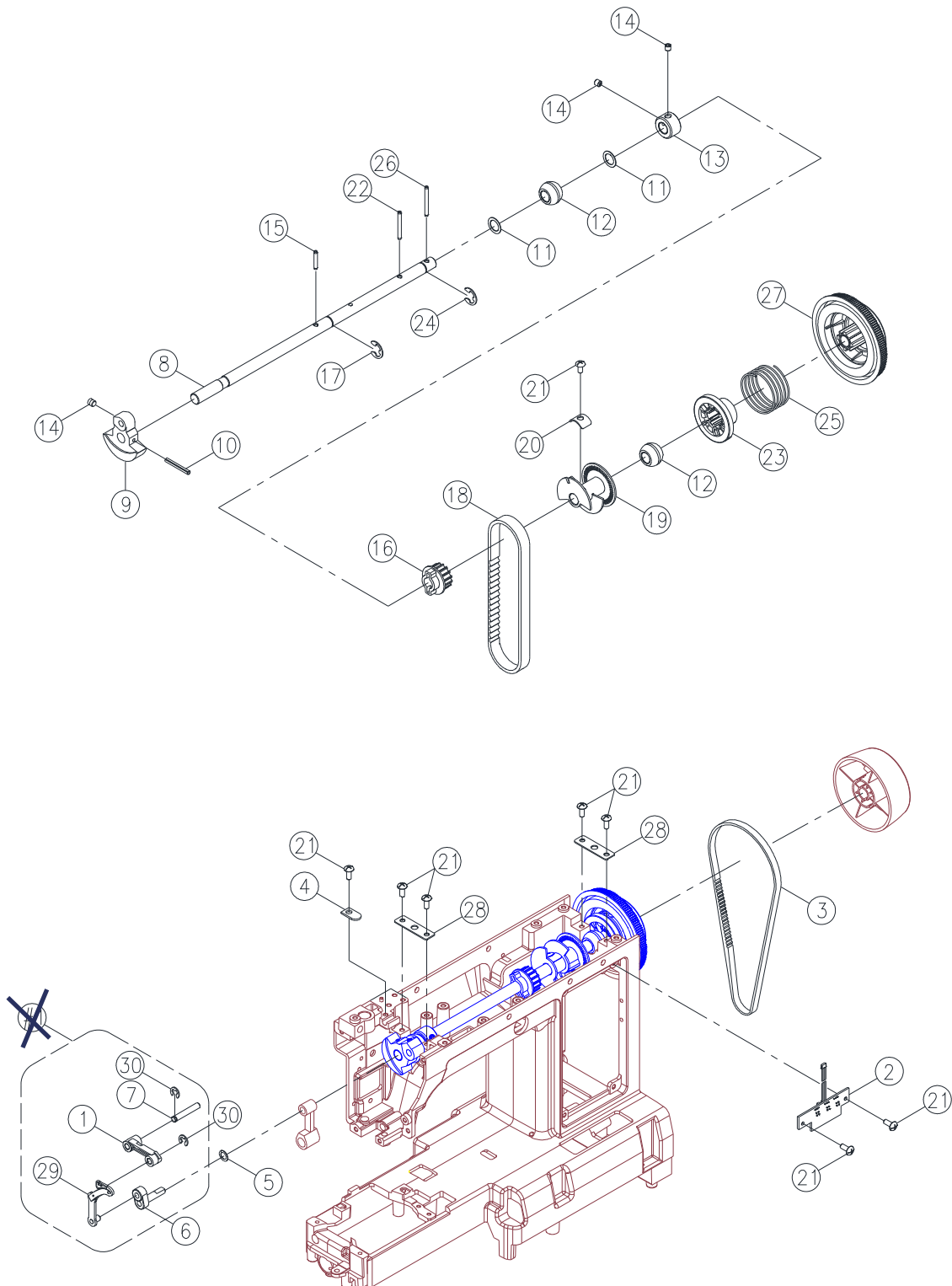
PREFISSO "ZS" PREFISSO "ZS"

NO.	PART NO.	DESCRIPTION	REMARK
1	H7DF013210	FACE COVER	FOR NC-102D
	H7DF033210	FACE COVER	FOR NC-103D/NC/204D
2	V630593000	CUTTER	
3	003020053	CS-RING (CSTW-5)	
4	004240106	SET SCREW (M4x8 A)	
5	004230216	SET SCREW (M3x8.5)	
6	H1KA023210	BH LEVER BUTTON	FOR NC-102D/NC/103D
7	H7DF023382	FACE DECORATION COVER	FOR NC-102D
	H7DF043186	FACE DECORATION COVER	FOR NC-103D
	H7DF043255	FACE DECORATION COVER	FOR NC-204D
8	E4A6044210	PRESSER BAR REGULATING SCREW CPL.	
9	H7DZ133382	TENSION SUPPORTER COVER	FOR NC-102D
	H7DZ133186	TENSION SUPPORTER COVER	FOR NC-103D
	H7DZ133255	TENSION SUPPORTER COVER	FOR NC-204D
10	H1KD013210	THREAD TENSION DIAL	
11	H7DA083382	HAND WHEEL	FOR NC-102D
	H7DA093186	HAND WHEEL	FOR NC-103D
	H7DA123255	HAND WHEEL	FOR NC-204D
12	K7QZ173210	HAND WHEEL COVER	
13	H7A0853210	TOOTH LEVER ARM	
14	V62033006	ARM TOP COVER PLATE CPL.	
15	004240306	SET SCREW (M4x10 B)	
16	H1G0345000	THREAD GUIDE CPL.	
17	H1B0603001	THREAD GUIDE	
18	H7DZ093382	HANDLE	FOR NC-102D
	H7DZ093186	HANDLE	FOR NC-103D
	H7DZ093255	HANDLE	FOR NC-204D
19	004241056	SET SCREW (M4x12 A)	
20	004230646	SET SCREW (M3x16.7 B)	
21	E9R0673210	SPOOL ROD	
22	H7DZ063210	BACK COVER	
23	H7DA063382	TOP COVER (BACK)	FOR NC-102D
	H7DA103186	TOP COVER (BACK)	FOR NC-103D
	H7DA103255	TOP COVER (BACK)	FOR NC-204D

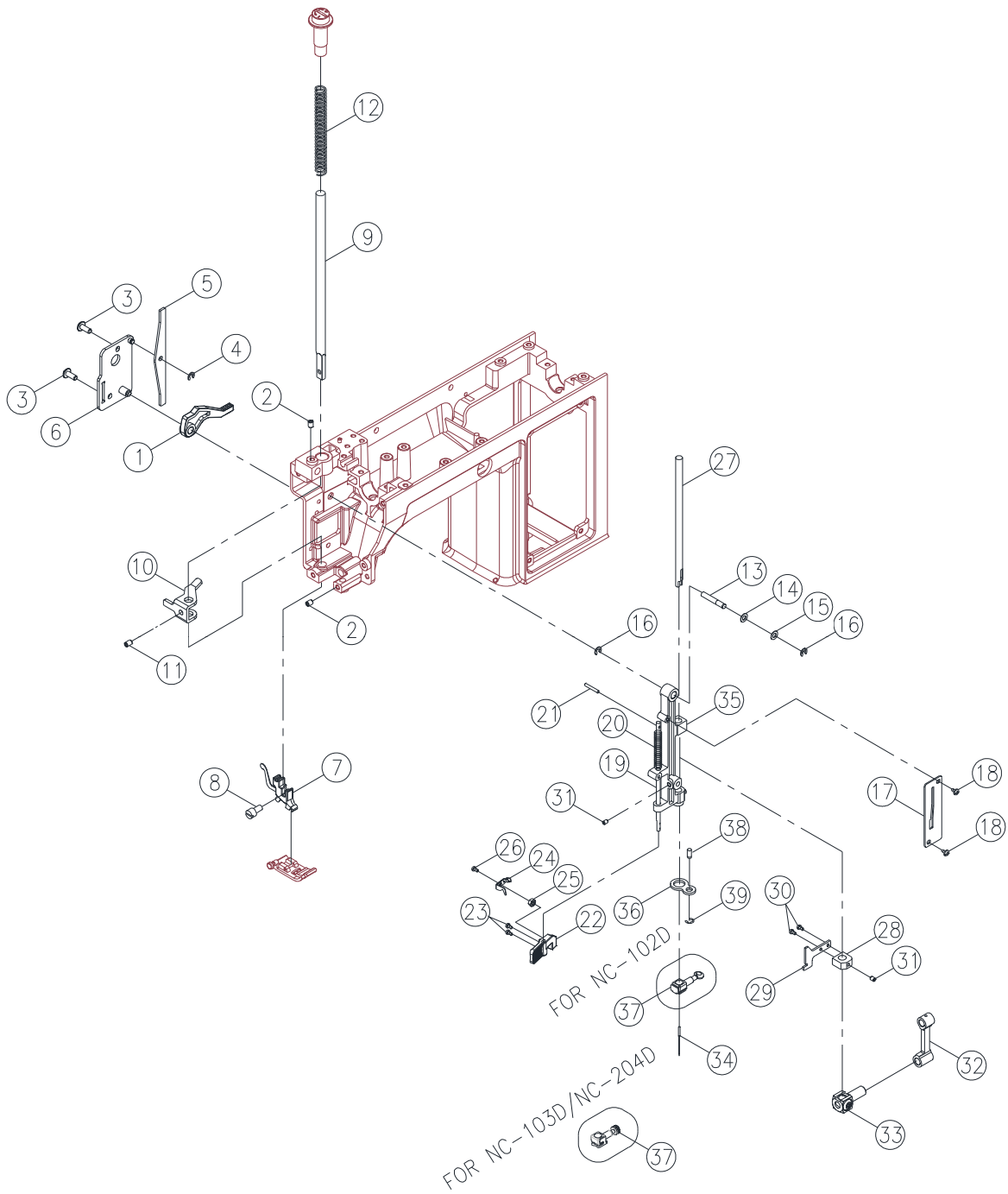
C. PRINCIPAL COVER COMPONENTS 3



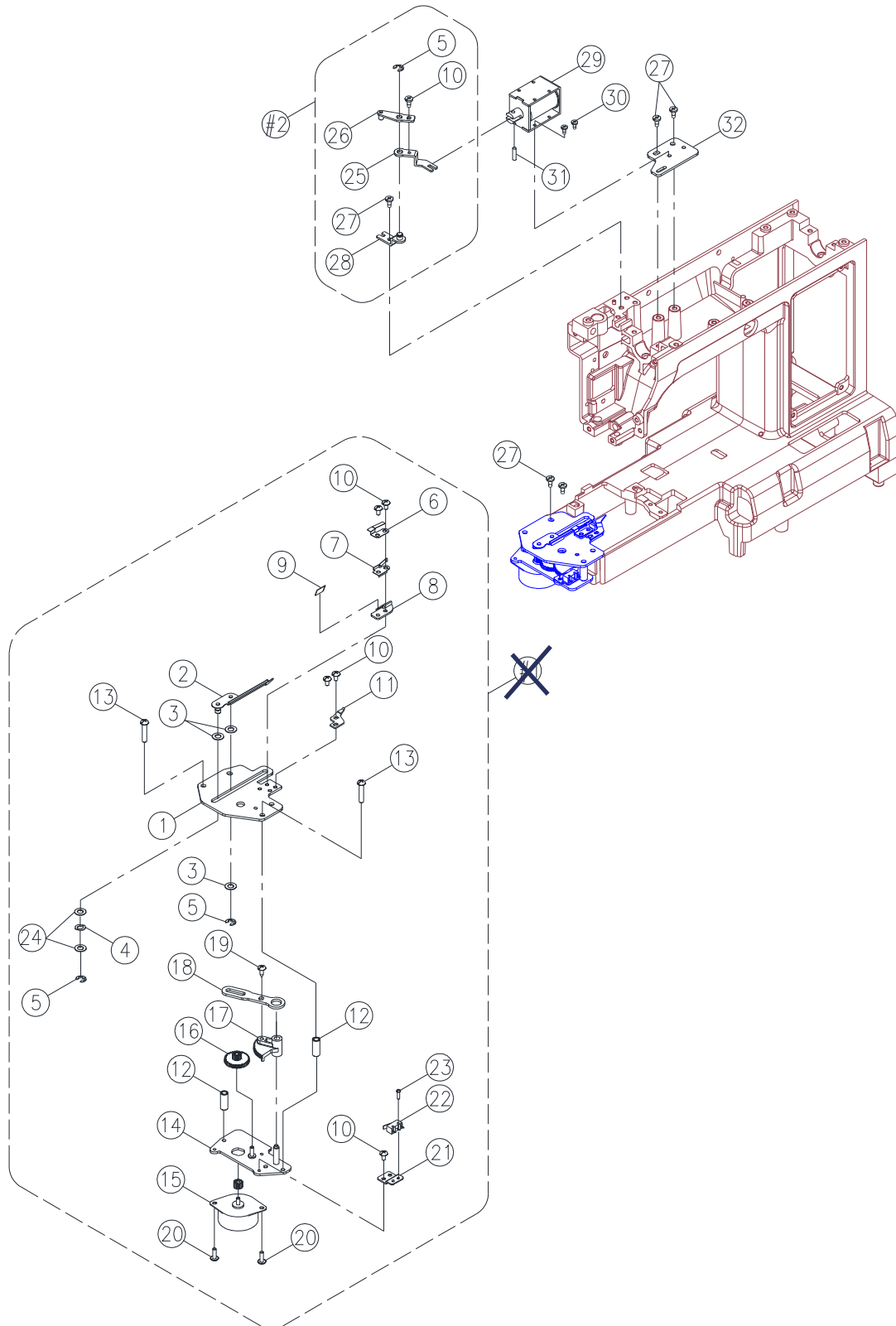
D. UPPER SHAFT COMPONENTS



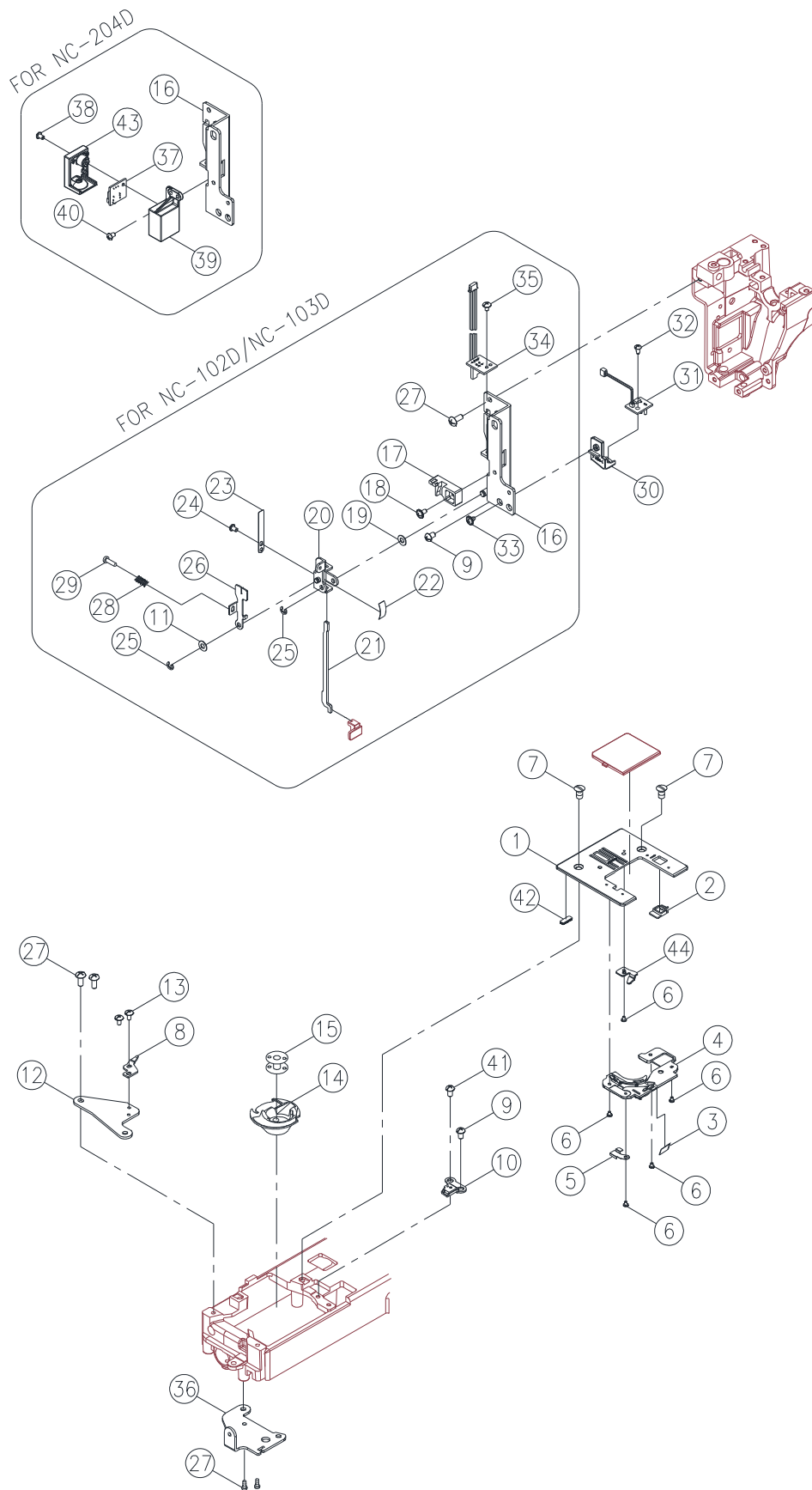
E. NEEDLE BAR & PRESSER MECHANISM



F. THREAD CUTTER COMPONENTS_FOR NC-204D



G. BH MECHANISM & NEEDLE PLATE COMPONENTS

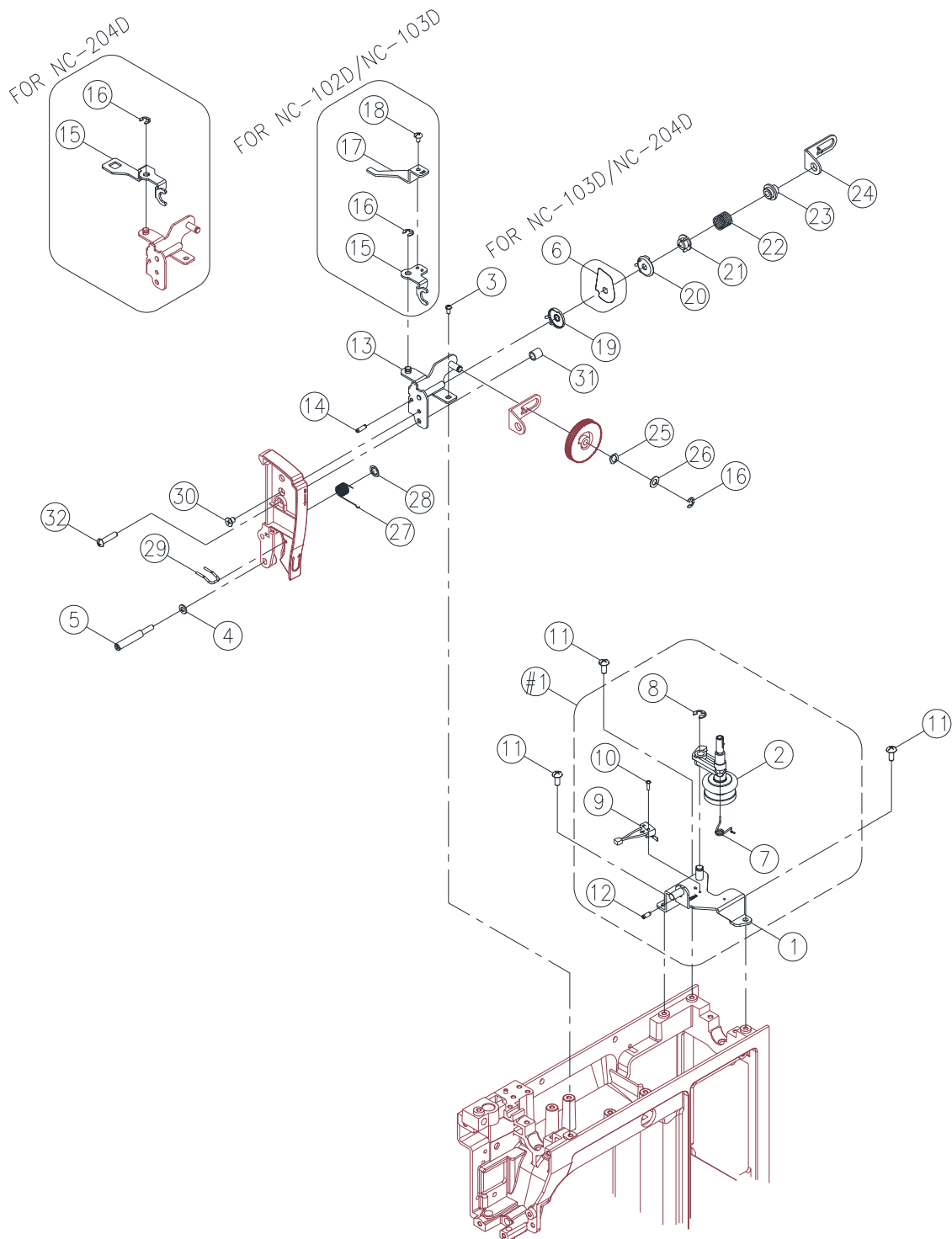


G. BH MECHANISM & NEEDLE PLATE COMPONENTS

NO.	PART NO.	DESCRIPTION	REMARK
1	CFA0203004	NEEDLE PLATE	
2	NB0233000	NEEDLE PLATE COVER OPEN	
3	V630593000	THREAD CUTTER	
4	H7AA013000	NEEDLE PLATE SUPPORTER	
5	E1A2603000	NEEDLE PLATE SPRING	
6	0042200016	SET SCREW (M2x3)	
7	004240851	SET SCREW (M4x6)	
8	H7A0933002	ROTARY HOOK PLATE	
9	004240056	SET SCREW (M4x6 B)	
10	CFA0794000	ROTARY HOOK PLATE (2)	
11	004300096	WASHER (4x8x0.5)	FOR NC-102D/NC-103D
12	H7A0963006	ROTARY HOOK PLATE	
13	0042300066	SET SCREW (M3x4 A)	
14	H7A0644000	SHUTTLE HOOK CPL.	
15	006084009	BOBBIN	
16	H7C0165000	BH LEVER PLATE CPL.	FOR NC-102D/NC-103D
	H7C0163006	BH LEVER PLATE	FOR NC-204D
17	P3C0203210	BH MOVEMENT CRANK	FOR NC-102D/NC-103D
18	004230016	SET SCREW (M3x6 A)	FOR NC-102D/NC-103D
19	004300076	WASHER (5.2x10x0.2)	FOR NC-102D/NC-103D
20	H7A0425000	BH LEVER CRANK	FOR NC-102D/NC-103D
21	P3C0183002	BH LEVER	FOR NC-102D/NC-103D
22	E1A1483003	BH SPRING PLATE	FOR NC-102D/NC-103D
23	CFA1053000	BH LEVER CRANK SPRING	FOR NC-102D/NC-103D
24	004230056	SET SCREW (M3x5 B)	FOR NC-102D/NC-103D
25	003010036	E-RING (ETW-3)	FOR NC-102D/NC-103D
26	H7A0413003	PHOTO PLATE	FOR NC-102D/NC-103D
27	004240106	SET SCREW (M4x8 A)	
28	D3B1293003	PULSE SUPPORT SPRING	FOR NC-102D/NC-103D
29	004230596	SET SCREW (M3x16)	FOR NC-102D/NC-103D
30	H1E0203000	LED HOLDER	
31	008H1B0006	LED LIGHT LAMP CPL.	
32	004230082	SET SCREW (M3x6 B)	
33	004231016	SET SCREW (M3x5)	
34	008H1C0007	PHOTO SENSOR PLATE	FOR NC-102D/NC-103D
35	004230702	SET SCREW (M3x5 A)	FOR NC-102D/NC-103D
36	H7A0403003	SUPPORTER	
37	008H7D0010	BH INDUCTION EARPHONE SOCKET CPL.	FOR NC-204D
38	004230842	SET SCREW (M3x8)	FOR NC-204D
39	H7DZ373210	HEADPHONE HOLE HOLDER	FOR NC-204D
40	004230012	SET SCREW (M3x6 A)	FOR NC-204D
41	004241036	SET SCREW (M4x6 A)	
42	H7A0033000	BRUSH	FOR NC-204D
43	H7DZ393210	HEADPHONE HOLE HOLDER	FOR NC-204D
44	H7A1283002	NO SKIPPING PLATE	

 PREFISSO "ZS"
 PREFISSO "ZS"

H. BOBBIN WINDER & THREAD TENSION MECHANISM

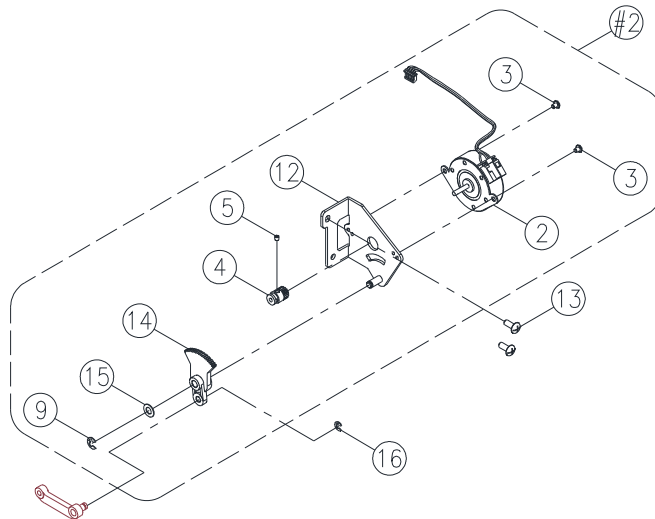
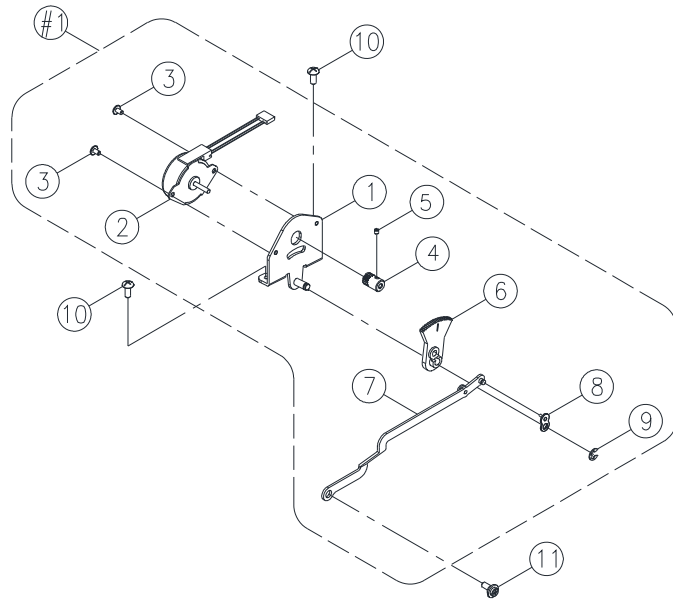


H. BOBBIN WINDER & THREAD TENSION MECHANISM

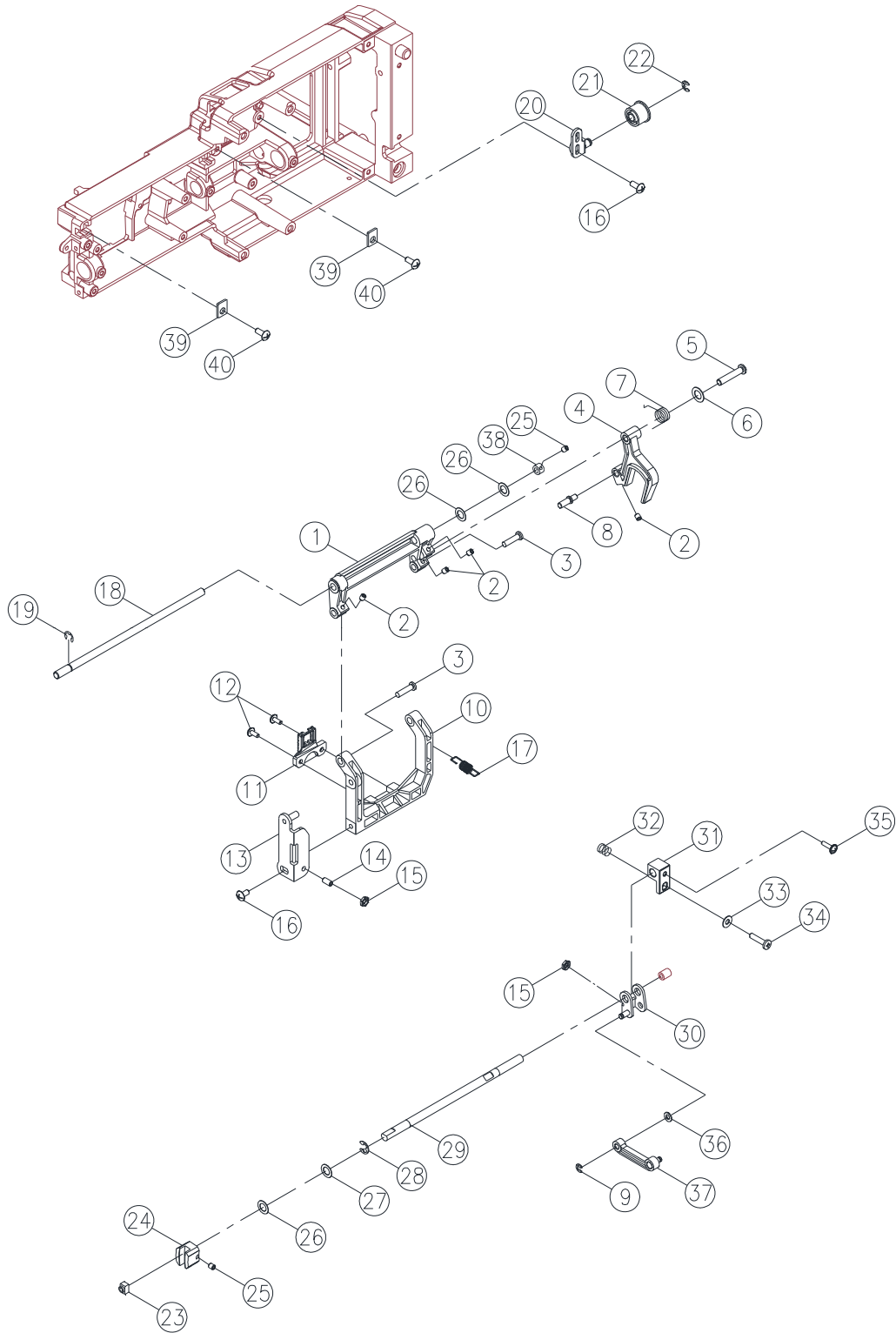
NO.	PART NO.	DESCRIPTION	REMARK
1	H1A0245006	BOBBIN WINDER PLATE	
2	K6A0555000	BOBBIN WINDER CRANK CPL.	
3	004240056	SET SCREW (M4x6 B)	
4	004300926	WASHER (4.1x8x1)	
5	004240982	SET SCREW (M4)	
6	CFA0343000	DUAL THREAD GUIDE PLATE	FOR NC-103D/NC-204D
7	K6A0573003	BOBBIN WINDER CRANK SPRING	
8	003010053	E-RING (ETW-5)	
9	008CAA0011	MICRO SWITCH	
10	004220112	SET SCREW (M2x0.4x7.5)	
11	004240106	SET SCREW (M4x8 A)	
12	003043008	PIN (3x8x0.6)	
13	K6A0094000	DIAL TENSION SUPPORTER PLATE CPL.	
14	003043010	PIN (3x10)	
15	H7B0253003	DIAL TENSION WAFT PLATE	FOR NC-102D/NC-103D
	H7A0083006	DIAL TENSION WAFT PLATE	FOR NC-204D
16	003010043	E-RING (ETW-4)	
17	H7B0263003	DIAL TENSION WAFT TRIMMING PLATE	FOR NC-102D/NC-103D
18	004230706	SET SCREW (M3x5 A)	FOR NC-102D/NC-103D
19	K7P0133001	DIAL TENSION DISC (1)	
20	E1A2333001	DIAL TENSION DISC	
21	R10593000	DIAL TENSION SPRING REGULATOR	
22	V880593003	DIAL TENSION SPRING	
23	K50193000	DIAL TENSION REGULATOR	
24	V60273006	DIAL TENSION SPRING PLATE	
25	004500360	WASHER (WW-5)	
26	004300643	WASHER (5.2x10x0.5)	
27	CFA0993000	THREAD GUIDE SPRING	
28	003020053	CS RING (CSTW-5)	
29	P3A1353001	THREAD GUIDE	
30	004240176	SET SCREW (M4x6)	
31	H11103001	DIAL TENSION GUIDE SPRING TUBE	
32	004240146	SET SCREW (M4x15 B)	
#1	H1C0144000	BOBBIN WINDER CPL.	

PREFISSO "ZS"
 PREFISSO "ZS"

I. ZIGZAG & FEED MECHANISM



J. FEED MECHANISM

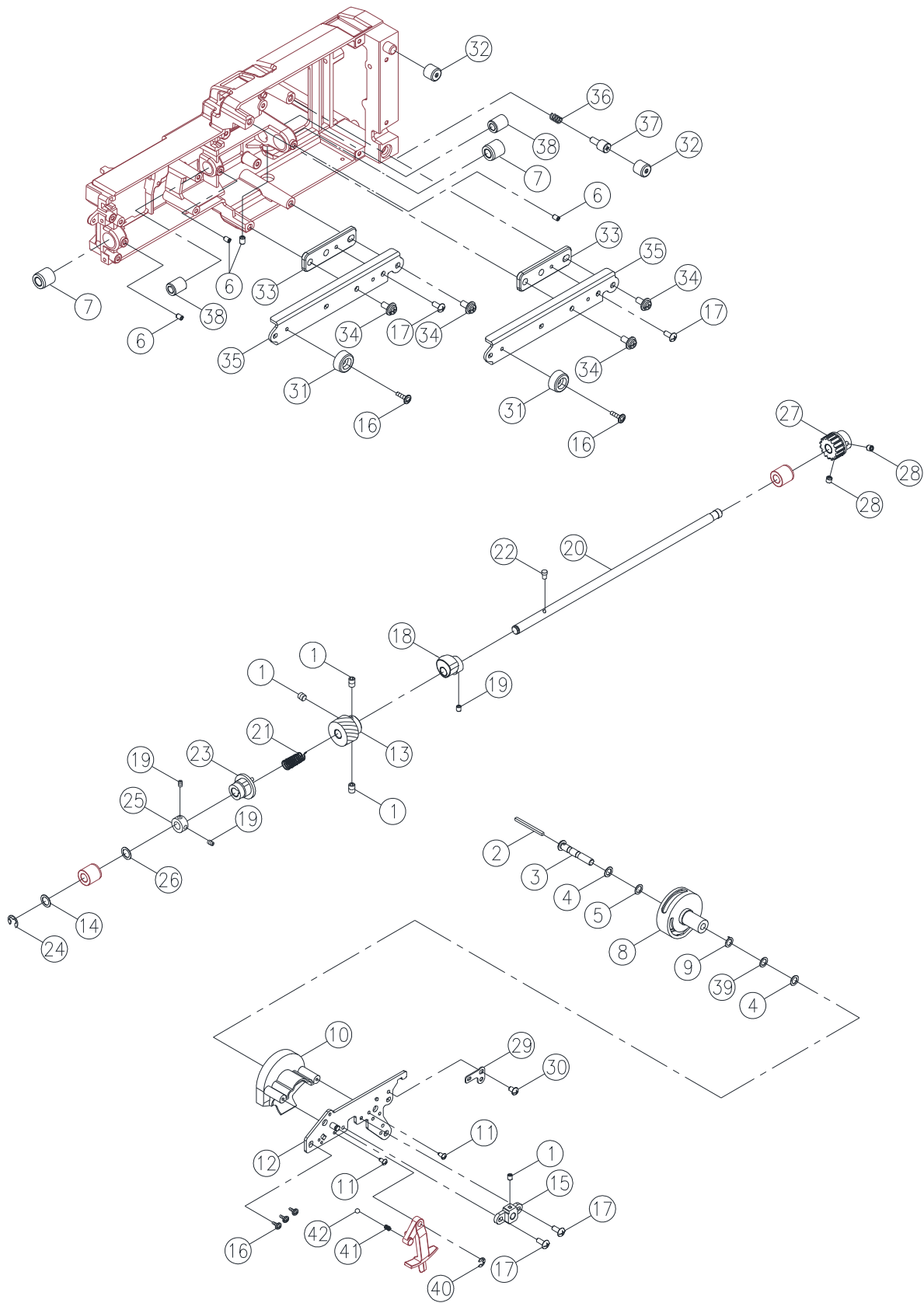


J. FEED MECHANISM

PREFISSO "ZS" PREFISSO "ZS"

NO.	PART NO.	DESCRIPTION	REMARK
1	H7A0303000	FEED ROCK SHAFT	
2	004240223	SET SCREW (M4x6 C)	
3	P3A0533003	FEED ROCK FRAME SHAFT	
4	P3A0573000	FEED ROCK CRANK	
5	P3A0583003	FEED ROCK SHAFT	
6	004300733	WASHER (5.2x12x1)	
7	P3A0933003	FEED ROCK CRANK SPRING	
8	CAA1613000	REGULATING BLOCK SHAFT	
9	003010036	E-RING (ETW-3)	
10	P3A0523000	FEED DOG SUPPORTER	
11	CFA0943001	FEED DOG	
12	004235016	SET SCREW (M3.5x0.6 L=8)	
13	P3A0553002	FEED LIFTING ROCK CRANK	
14	004241093	SET SCREW (M4x0.7 L9)	
15	004840106	ADJUSTING NUT (ALN-4)	
16	004240106	SET SCREW (M4x8 A)	
17	H1G0443003	FEED DOG SPRING	
18	H7A0313000	FEED ROCK SHAFT	
19	003010053	E-RING (ETW-5)	
20	H1A0433003	BELT ADJUSTING PLATE	
21	H1A0453000	BELT ADJUSTING PLATE PULLEY	
22	003010043	E-RING (ETW-4)	
23	F31403000	FEED REGULATING BLOCK	
24	F31393000	FEED REGULATING	
25	004240503	SET SCREW (M4x4 C)	
26	004400570	ENDURE ATTRITION WASHER (6.7x11.8x0.5)	
27	004300123	WASHER (6.7x12x1)	
28	003011052	E-RING (ETW-5)	
29	H1A0203000	FEED REGULATING SHAFT	
30	D3A0273003	FEED REGULATING CRANK	
31	CAA1733000	FEED CRANK	
32	D1E0783003	FEED REGULATING CRANK SPRING	
33	004300986	WASHER (4.2x10x0.5)	
34	004241202	SET SCREW	
35	004230776	SET SCREW (M3x12)	
36	004300136	WASHER (4.2x8x0.8)	
37	D3A0943000	FEED ROCK ROD	
38	H7A0883003	FEED COLLAR	
39	MAA0823006	SET WASHER	
40	004241046	SET SCREW (M4x10 A)	

K. HOOK & LOWER SHAFT COMPONENTS

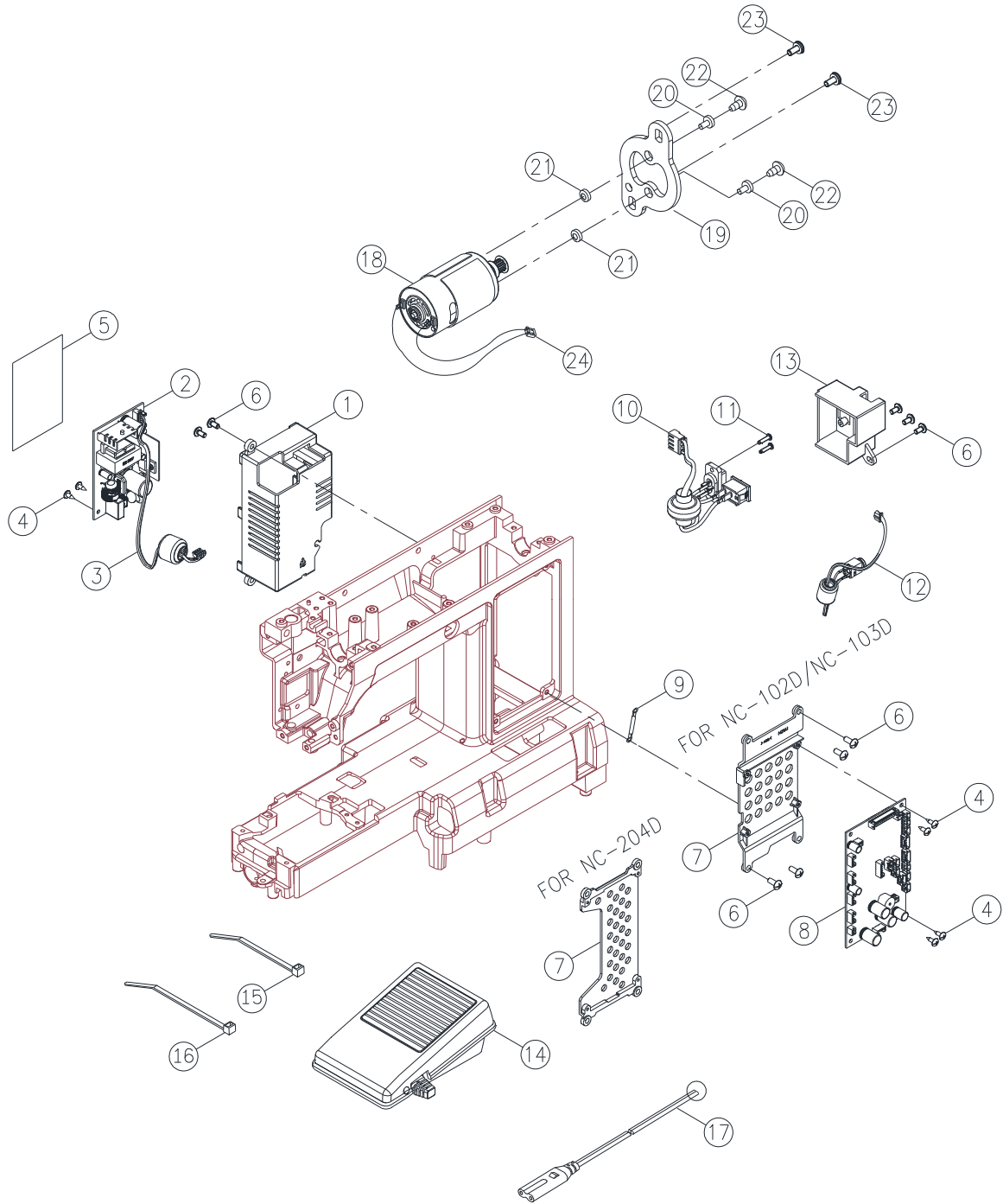


K. HOOK & LOWER SHAFT COMPONENTS

PREFISSO "ZS" PREFISSO "ZS"

NO.	PART NO.	DESCRIPTION	REMARK
1	004240033	SET SCREW (M4x5 C)	
2	NB0693000	BOBBIN SHAFT OIL CLOTH	
3	E1A2033000	BOBBIN SHAFT	
4	NB0673000	BOBBIN SHAFT WASHER (2)	
5	004400840	ENDURE ATTRITION WASHER (6.2x9.6x0.5)	
6	004240223	SET SCREW (M4x6 C)	
7	E1A0283000	LOWER SHAFT BUSHING	
8	Q6A0704000	SHUTTLE HOOK HOLDER	
9	NB0683000	BOBBIN SHAFT WASHER (3)	
10	E1A0563582	SHUTTLE HOOK COVER	
11	004230066	SET SCREW (M3x12)	
12	CAA0785000	ROTARY HOOK HOLDER CPL.	
13	P3A1133000	LOWER SHAFT GEAR	
14	004300936	WASHER (8.2x12x0.5)	
15	E1A0543000	ROTARY HOOK SUPPORTER	
16	004240586	SET SCREW (M4x8)	
17	004240106	SET SCREW (M4x8 A)	
18	H1A1503000	FEED ROCK CAM	
19	004240503	SET SCREW (M4x4 C)	
20	H1A0133000	LOWER SHAFT	
21	P3A0443003	LOWER SHAFT SPRING	
22	P3A0433003	FEED LIFTING ROCK COM PIN	
23	P3A0423000	FEED LIFTING ROCK CAM	
24	003010063	E-RING (ETW-6)	
25	V11553003	LOWER SHAFT COLLAR	
26	004400830	ENDURE ATTRITION WASHER (8.2x12x0.5)	
27	H1A0463000	LOWER SHAFT BELT PULLEY	
28	004250203	SET SCREW (M5x5 C)	
29	P3A0493003	ROTARY HOOK HOLDER POSITIONED PLATE	
30	004240056	SET SCREW (M4x6 B)	
31	F31453000	FREE ARM BASE CUSHION RUBBER	
32	K6A0063002	FREE ARM BASE CUSHION RUBBER	
33	H7B0033003	FREE ARM FOOT SPACER	
34	0042500456	SET SCREW (M5x15)	
35	H1A0413006	FREE ARM BASE CUSHION	
36	E1A2573006	BASE PLATE ADJUSTMENT SCREW SPRING	
37	K82133006	BASE PLATE ADJUSTMENT SCREW	
38	R11443000	FEED ROCK BUSHING	
39	0044000200	ENDURE ATTRITION WASHER (6.2x9.6x0.25)	
40	003010046	E-RING (ETW-4)	
41	E1A1873003	SPRING	
42	H12883000	BALL	

L. MOTOR, POWER SUPPLY & ELECTRONIC PARTS



M. ACCESSORIES (STANDARD)

