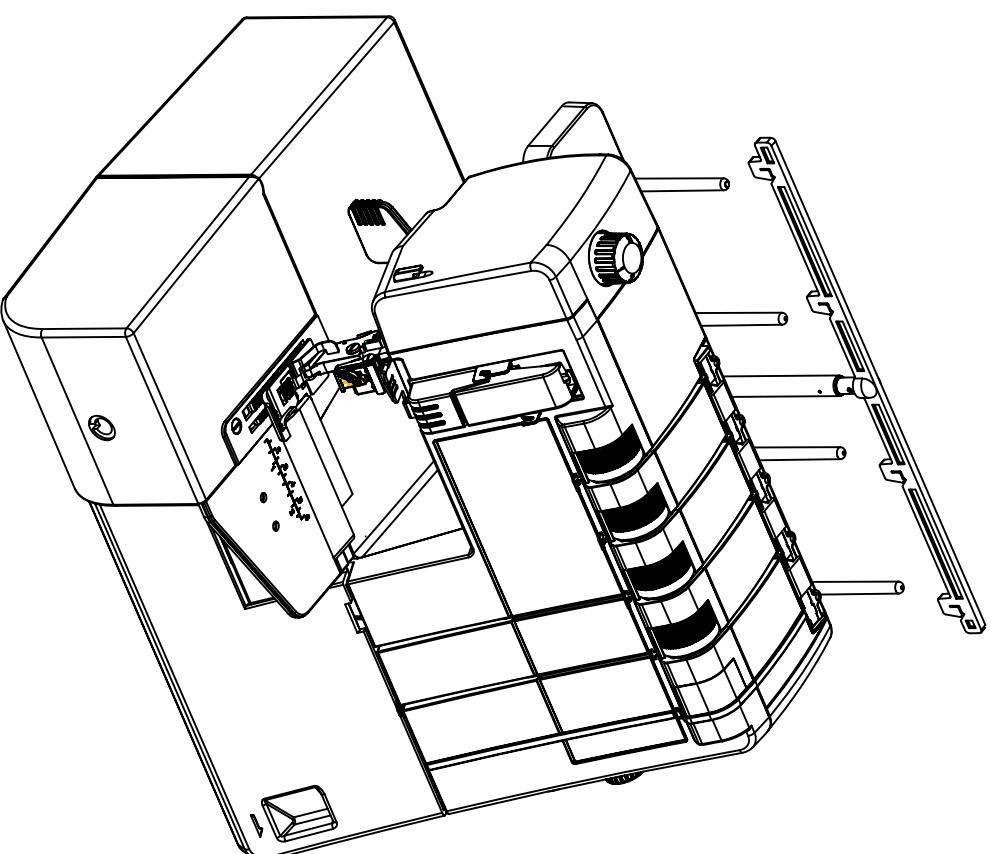


PARTS LIST

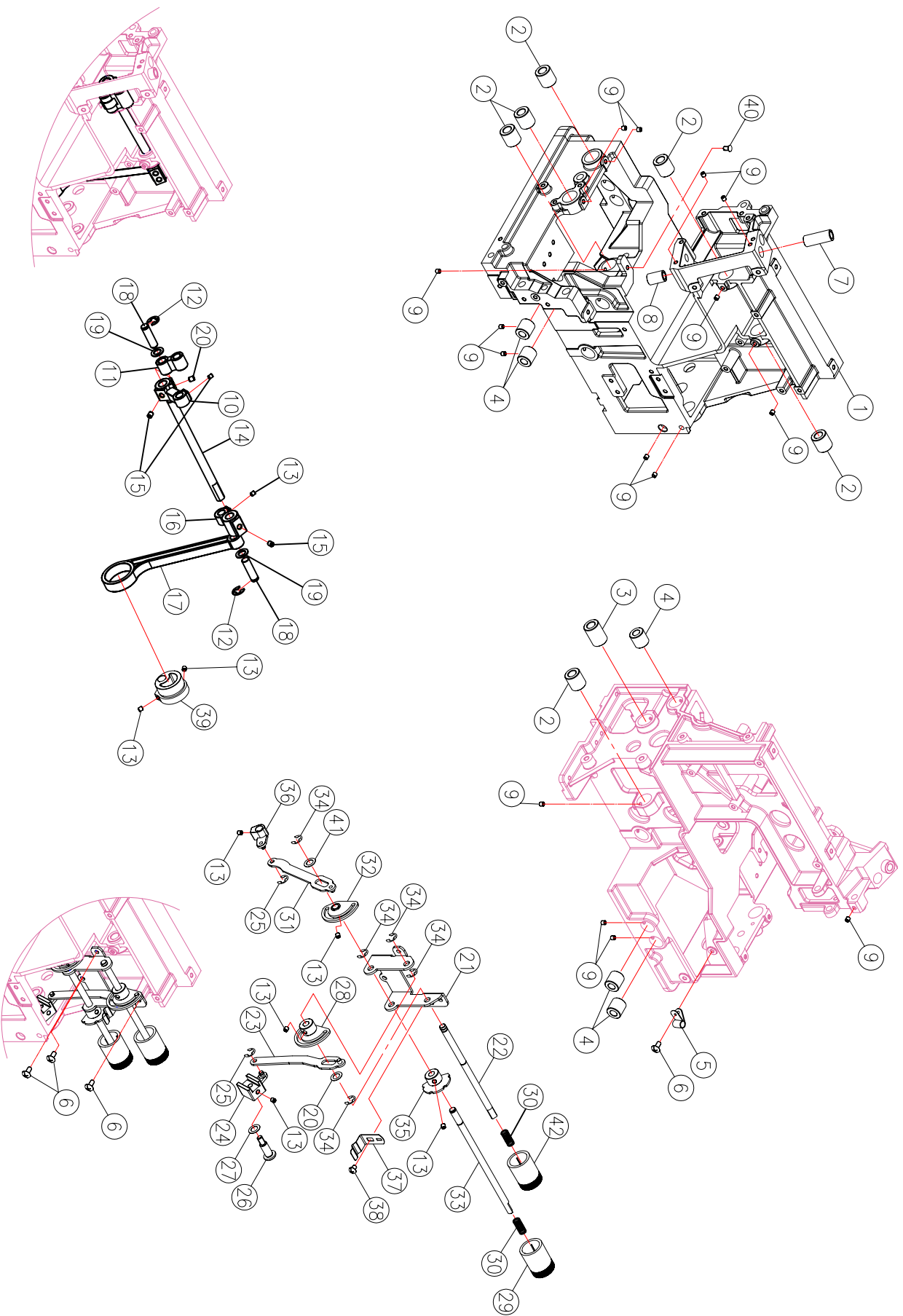


Model NC10

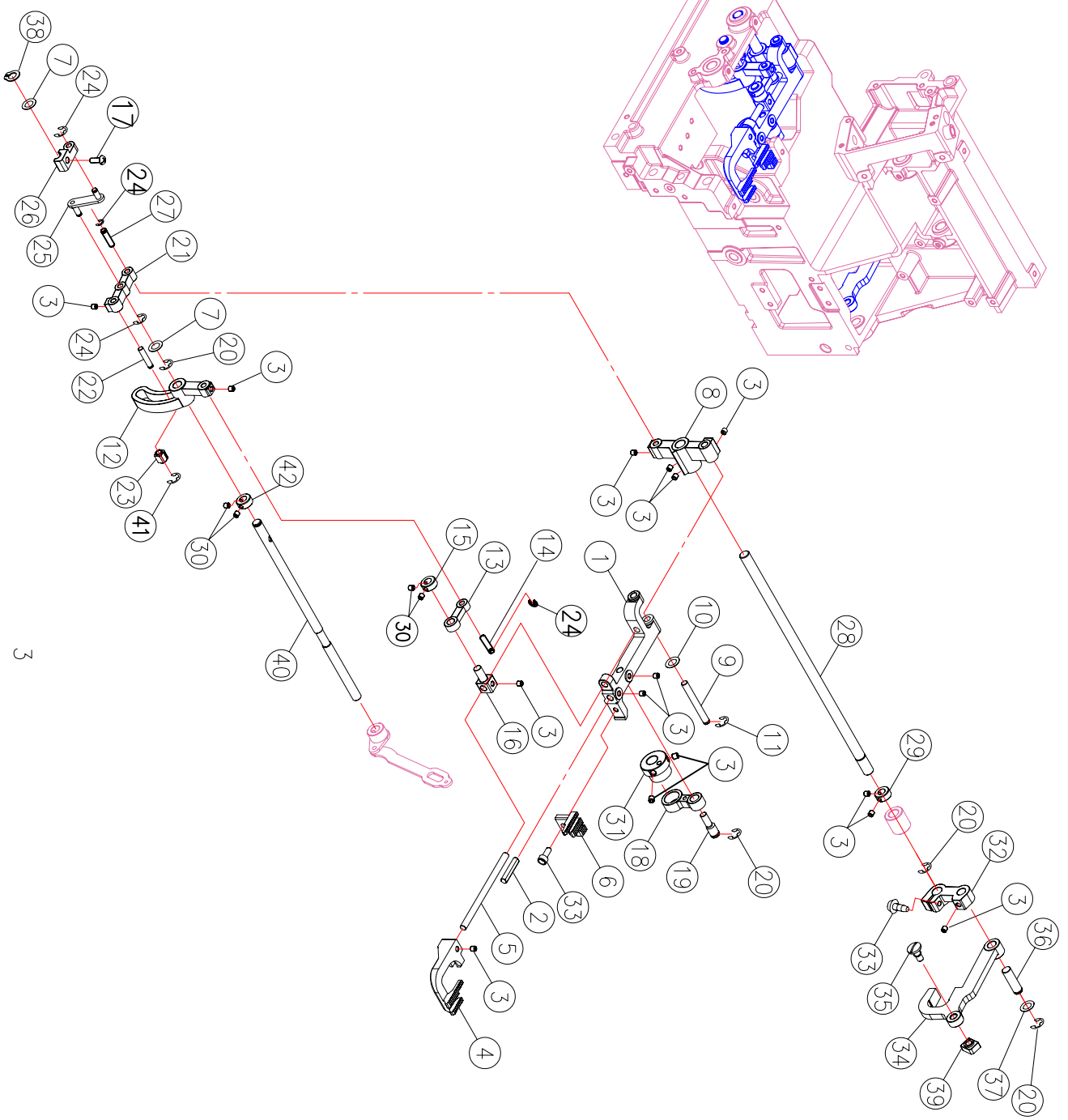
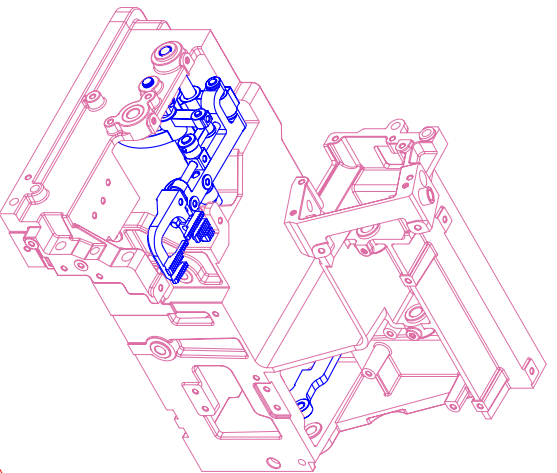
~ LIST OF CONTENTS ~

A.	ARM , DIAL PLATE	1
B.	FEED DOG PLATE , HORIZONTAL FEED SHAFT	3
C.	LOWER SHAFT , CLUTCH SUPPORTING BOARD SET	5
D.	THREADING SHAFT , NEEDLE PLATE , PRESSER HOLDER SET	7
E.	CS LOOPER SET	9
F.	THREAD-LOOSEN DRIVE SET	11
G.	MOTOR COMPLETE	13
H.	BASE COVER , CLOTH PLATE , BACK COVER	15
I.	FRONT COVER , FEEDING THREAD GUIDE PLATE	17
J.	ACCESSORIES	19

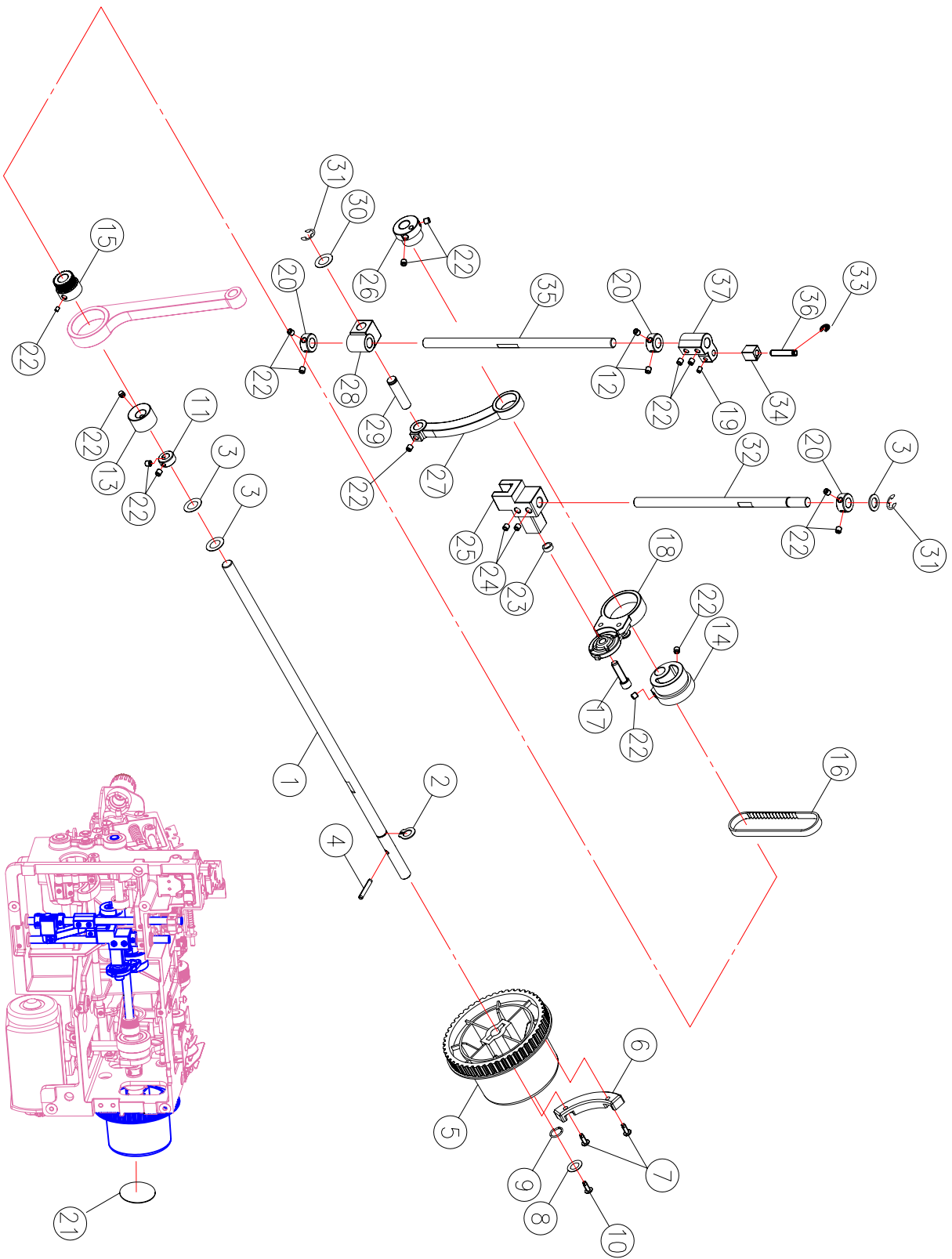
A. ARM, DIAL PLATE



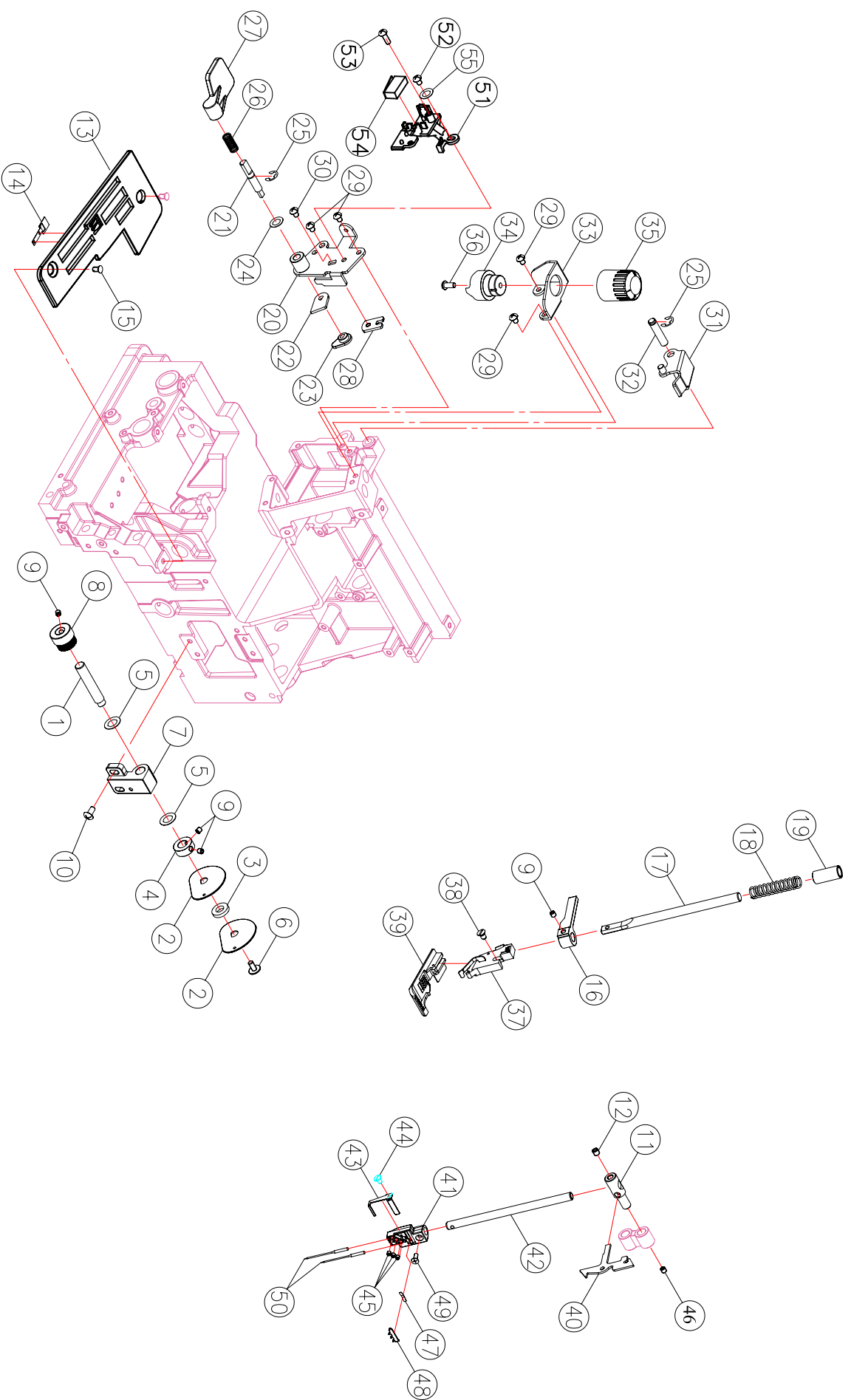
B. FEED DOG PLATE, HORIZONTAL FEED SHAFT



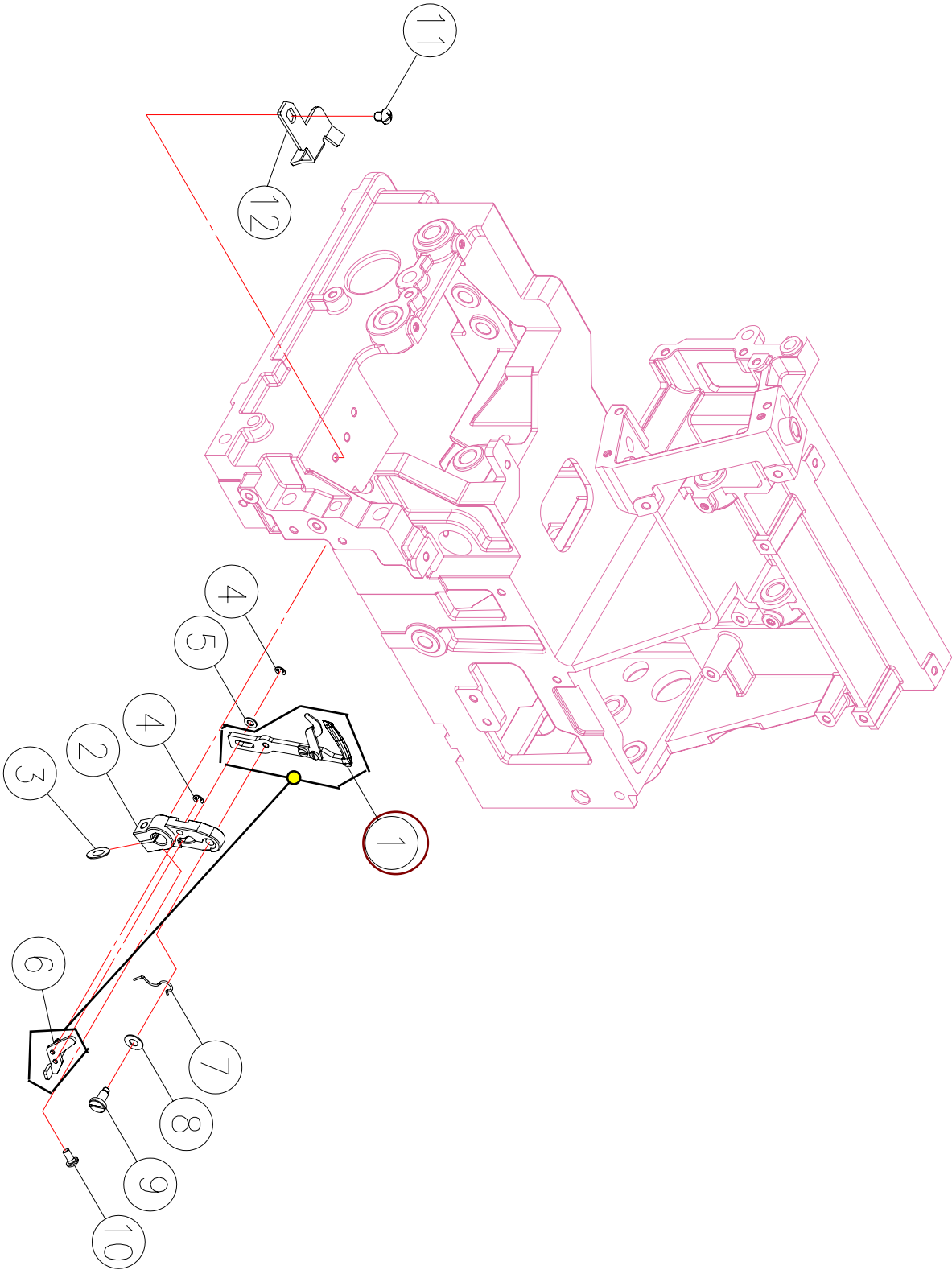
C. LOWER SHAFT, UPPER LOOPER DRIVE LINK, CLUTCH SUPPORTING BOARD SET



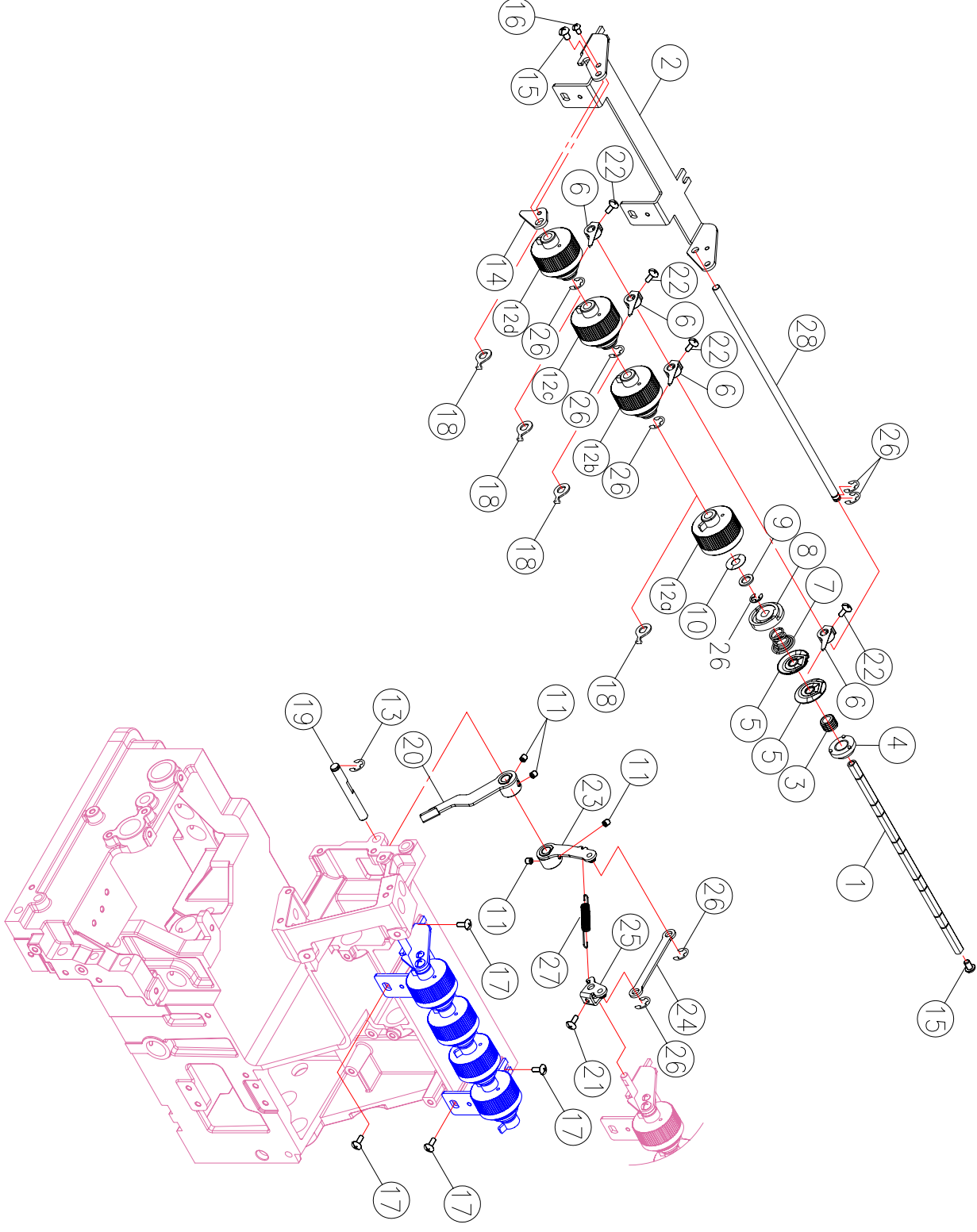
D. THREADING SHAFT, NEEDLE PLATE, PRESSER HOLDER SET



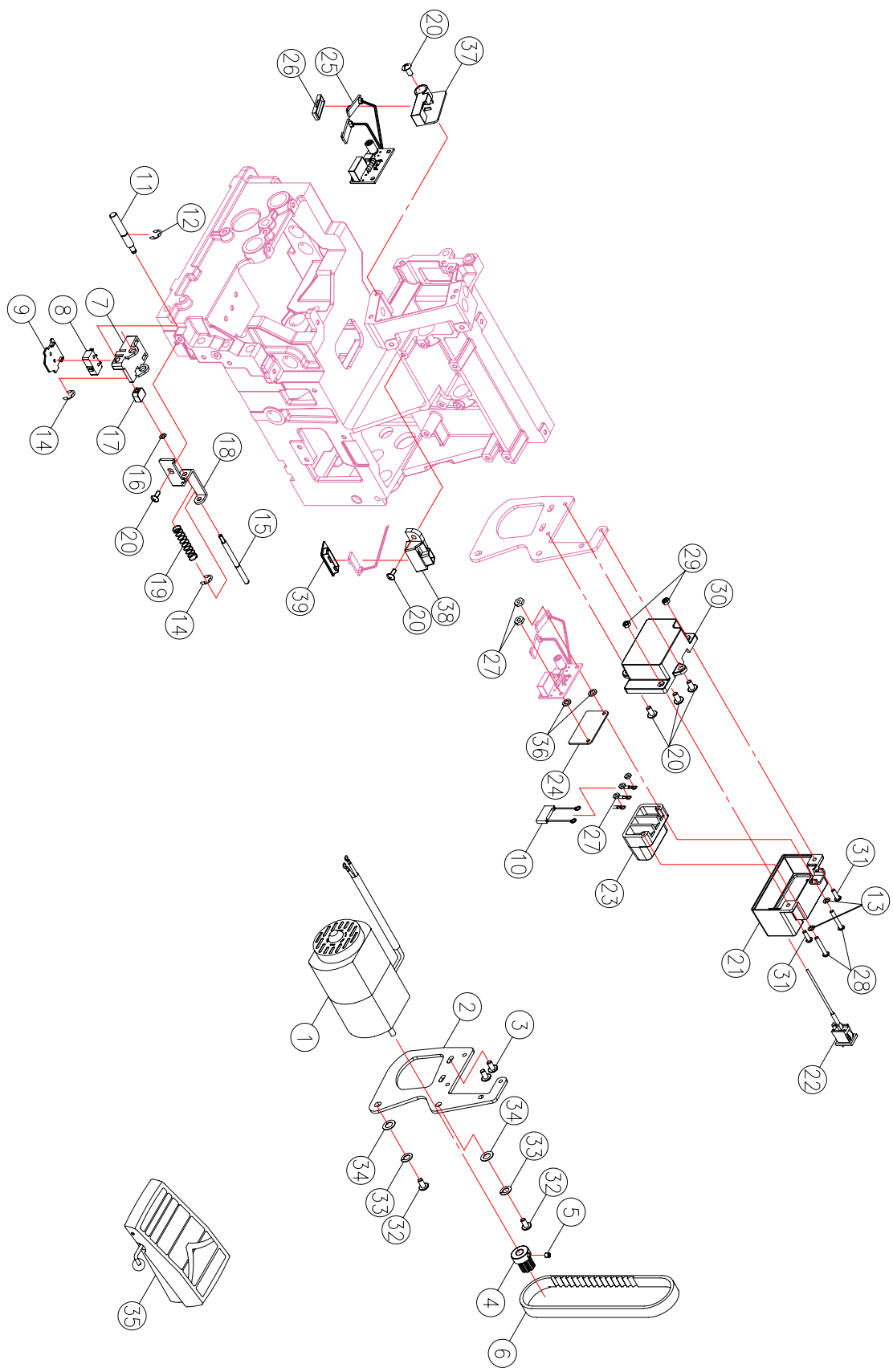
E. LOWER LOOPER HOLDER, UPPER LOOPER



F. LOWER CUTTER, WIDTH CONTROLLER SUPPER PLATE

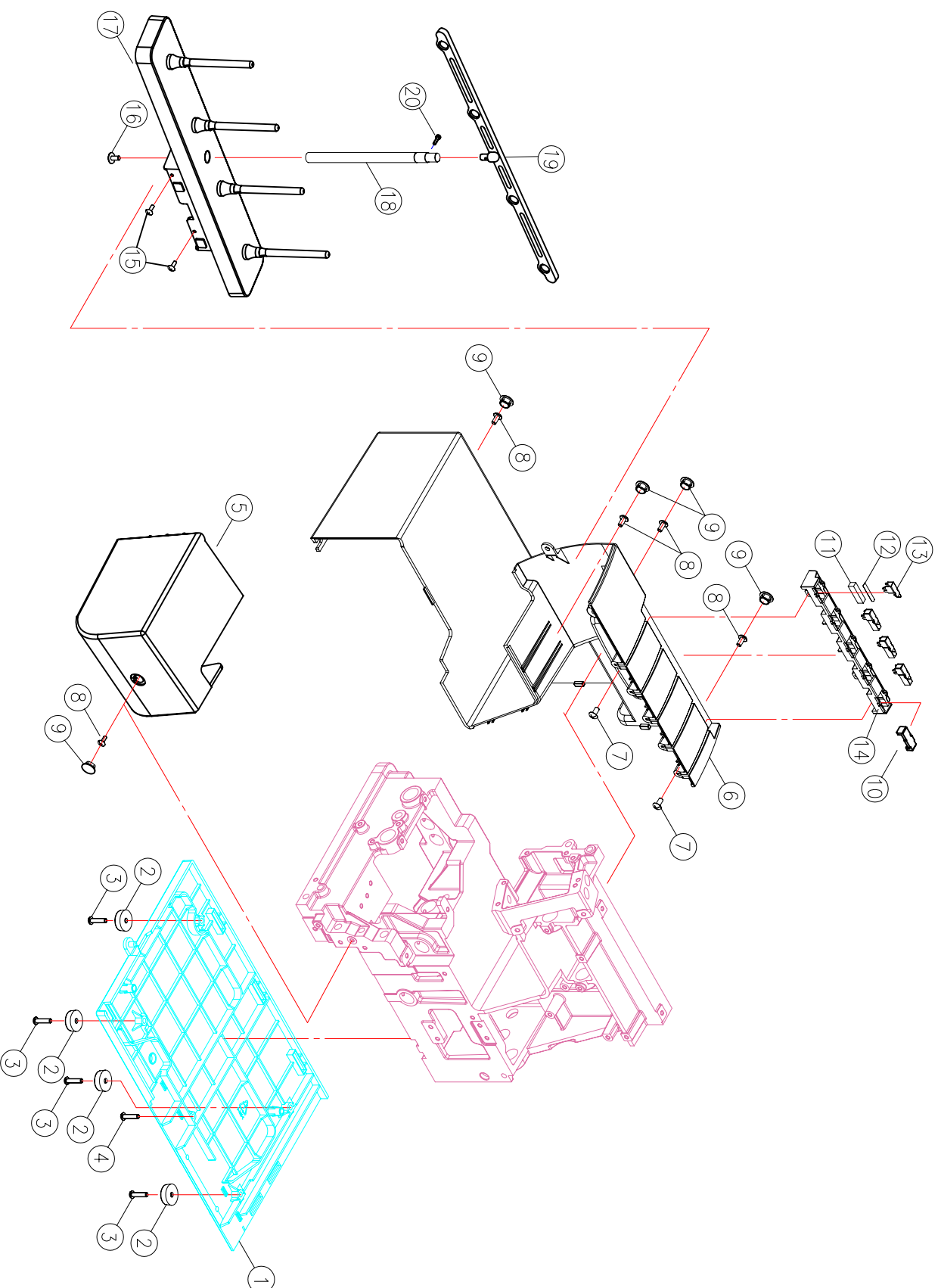


G. MOTOR COMPLETE

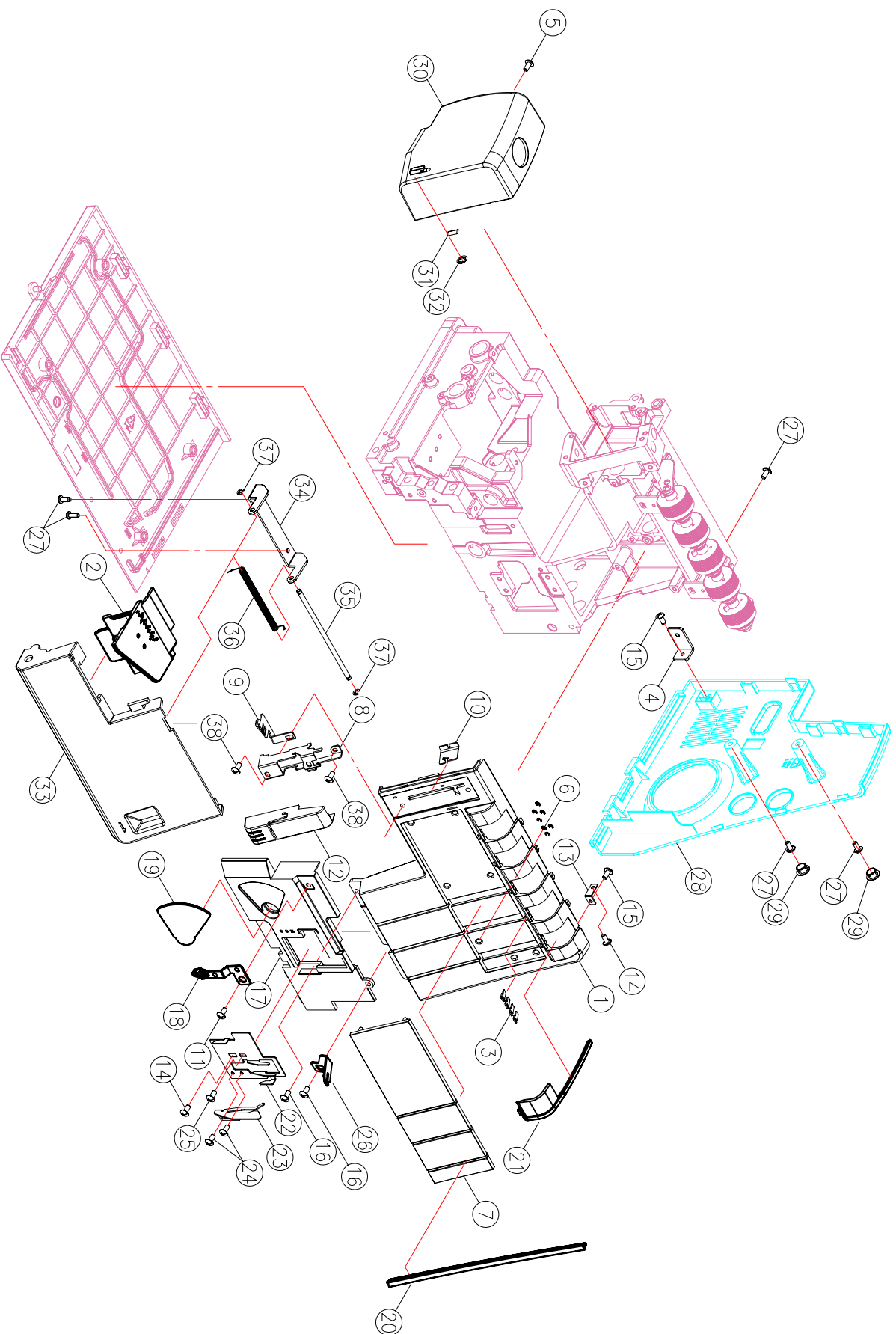


H. BASE COVER, CLOTH PLATE, BACK COVER

H



I. FRONT COVER, FEEDING THREAD GUIDE PLATE, PANEL



I. ACCESSORIES

STANDARD ACCESSORIES

