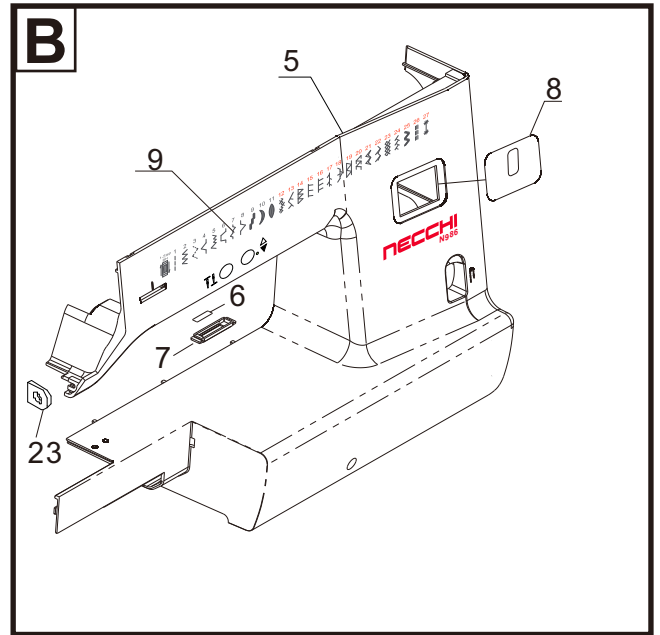
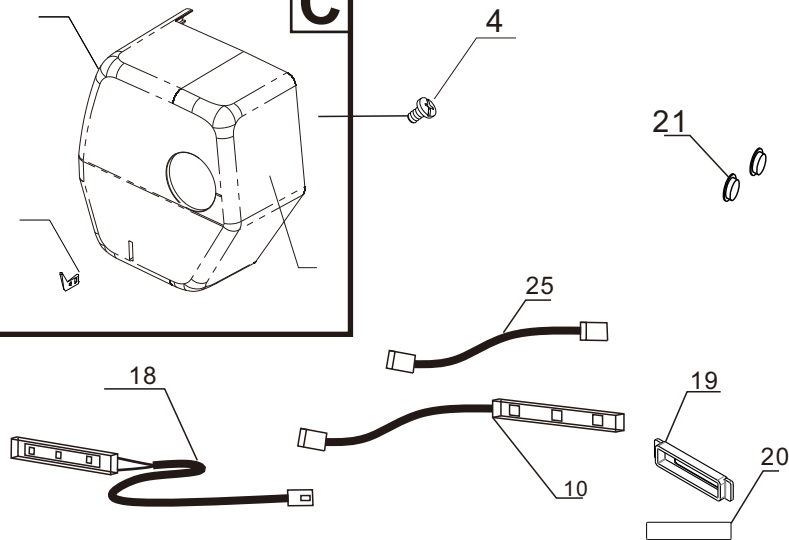
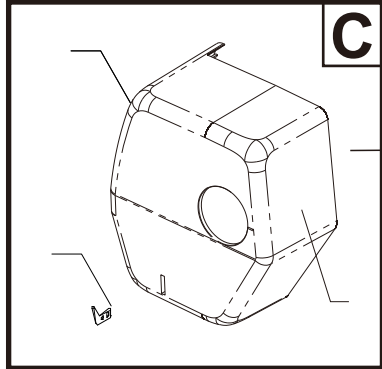
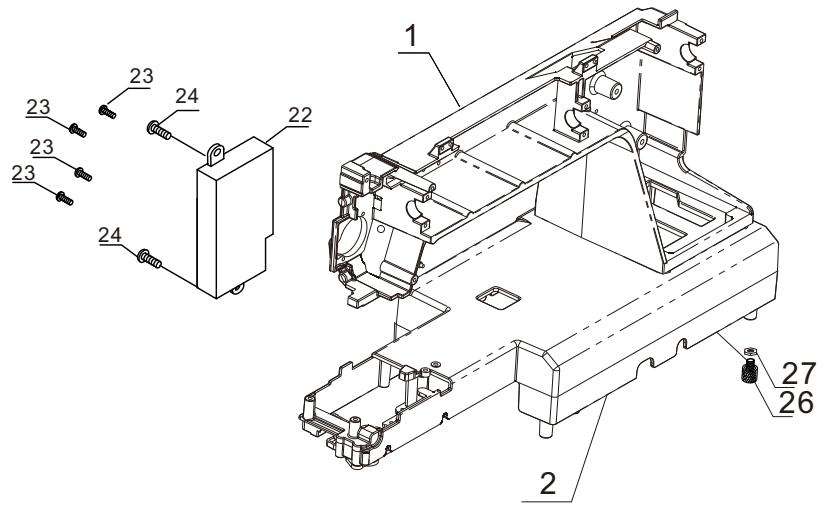
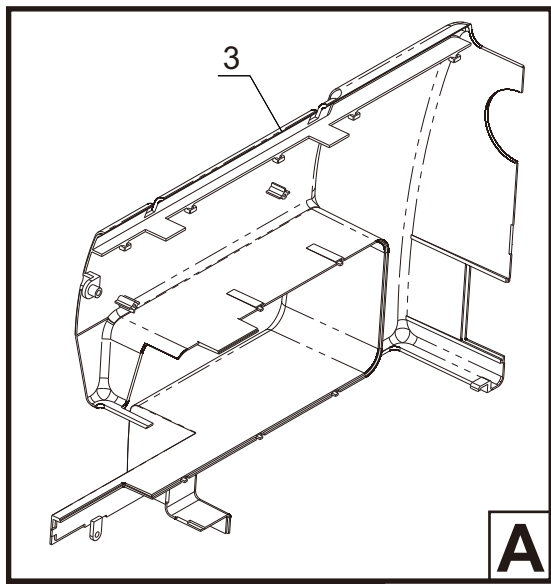


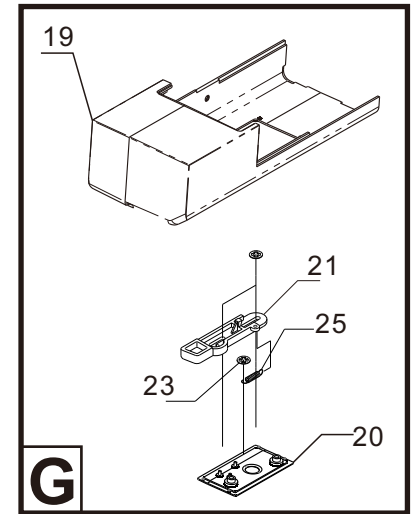
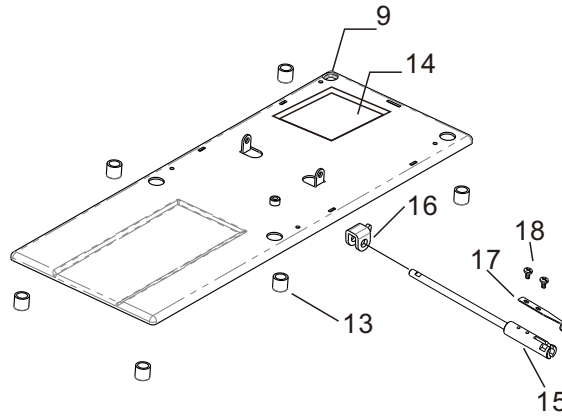
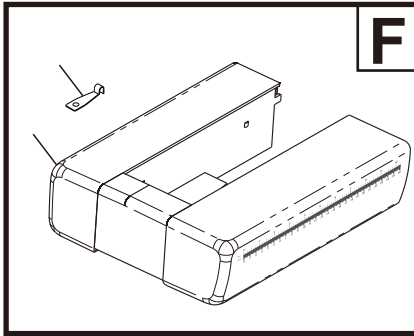
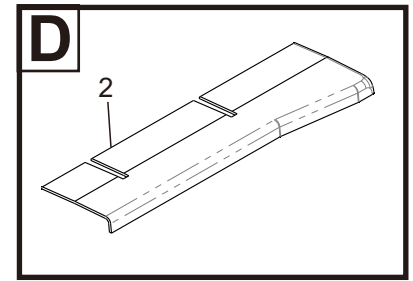
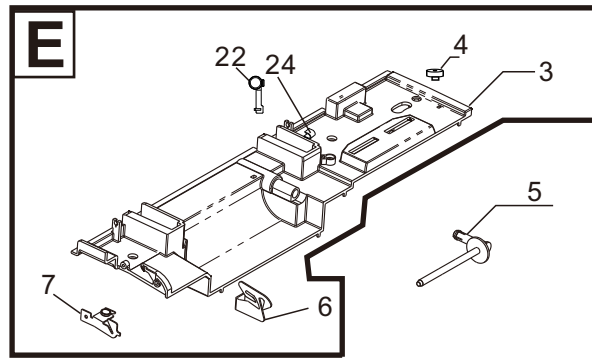
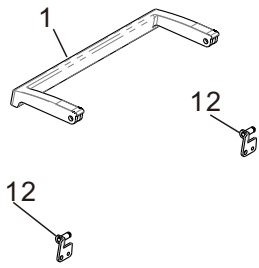


NECCHI

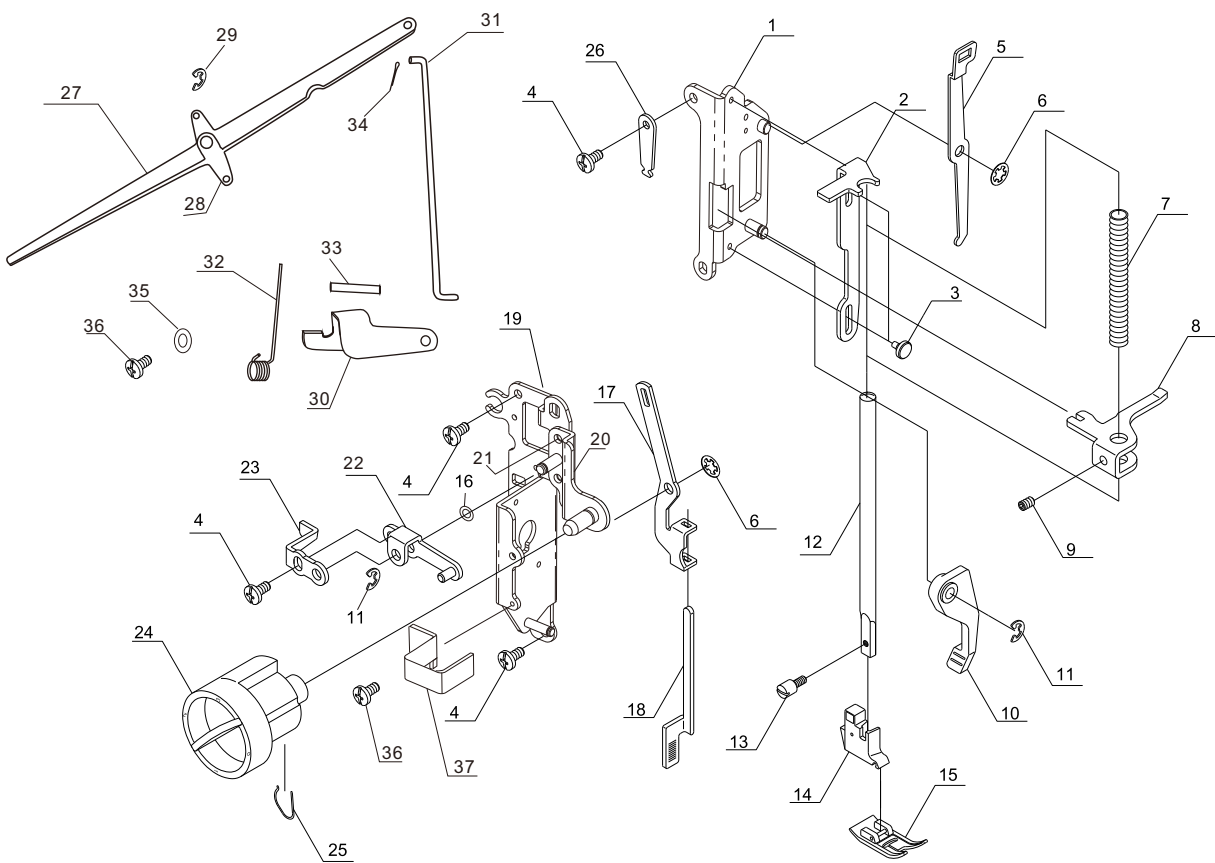
N986 Part list



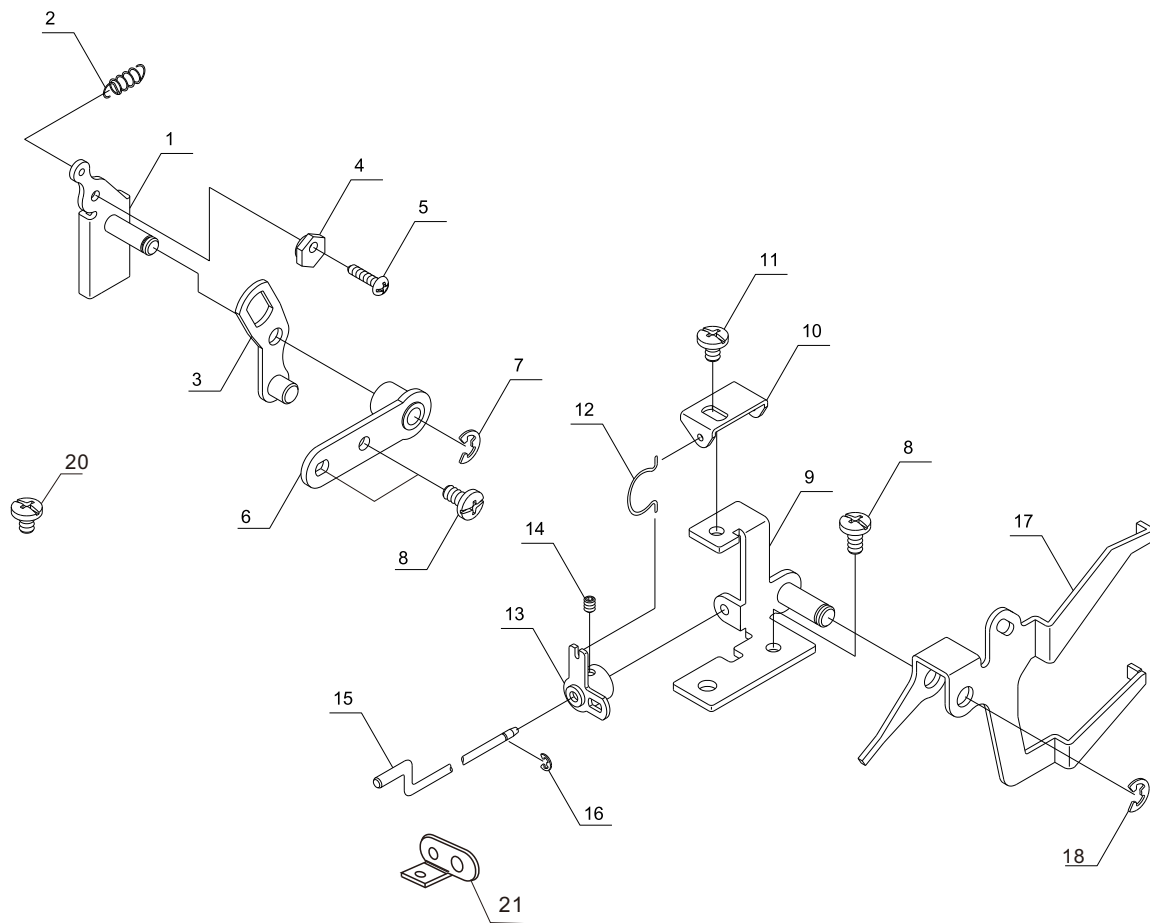
Assy Parts No.	No.	Part No.	Name of part	Remark
	1	M986-053	Aluminum Arm	
	2	M986-054	Aluminum Bed	
A				
Back Cover Assy	3	M986-042	Back Cover	
B				
Front Cover Assy	5	M986-041	Front Cover	
	6	M986-069	LED Screen	
	7	M986-049	LED lens	
	8	986137	Stitch selector display window	
	10	M986-138(B)	LED (3) - Assemble to front cover	
	23	128102	Nut	
C				
Face Cover Assy		CFCAN986	Face Cover	
	4	000081820	+ - Round head screw 4*20	
	14	000087909	+ - Round head self tapping screw 3*6	
	15	000087908	Self tapping with washer screw 3*8	
	16	000080901	Flat head screw 3*6	
	17	000081706	Flat head screw 4*14	
	18	M986-138(A)	LED (3)-Assemble to face cover	
	19	M986-077	LED shade	
	20	M986-069	LED Screen	
	22	M986-150	PCB box	
	23	000087909	T SCREW 3*6	
	24	000081407	+ -binding head screw 4*8	
	25	M986-138(C)	Connecting wire for LED	
	21	262016054	Button	
	26	321012009	Regulating screw	
	27	000071208	Hexagen Nut 5-4-8	
Page 1				



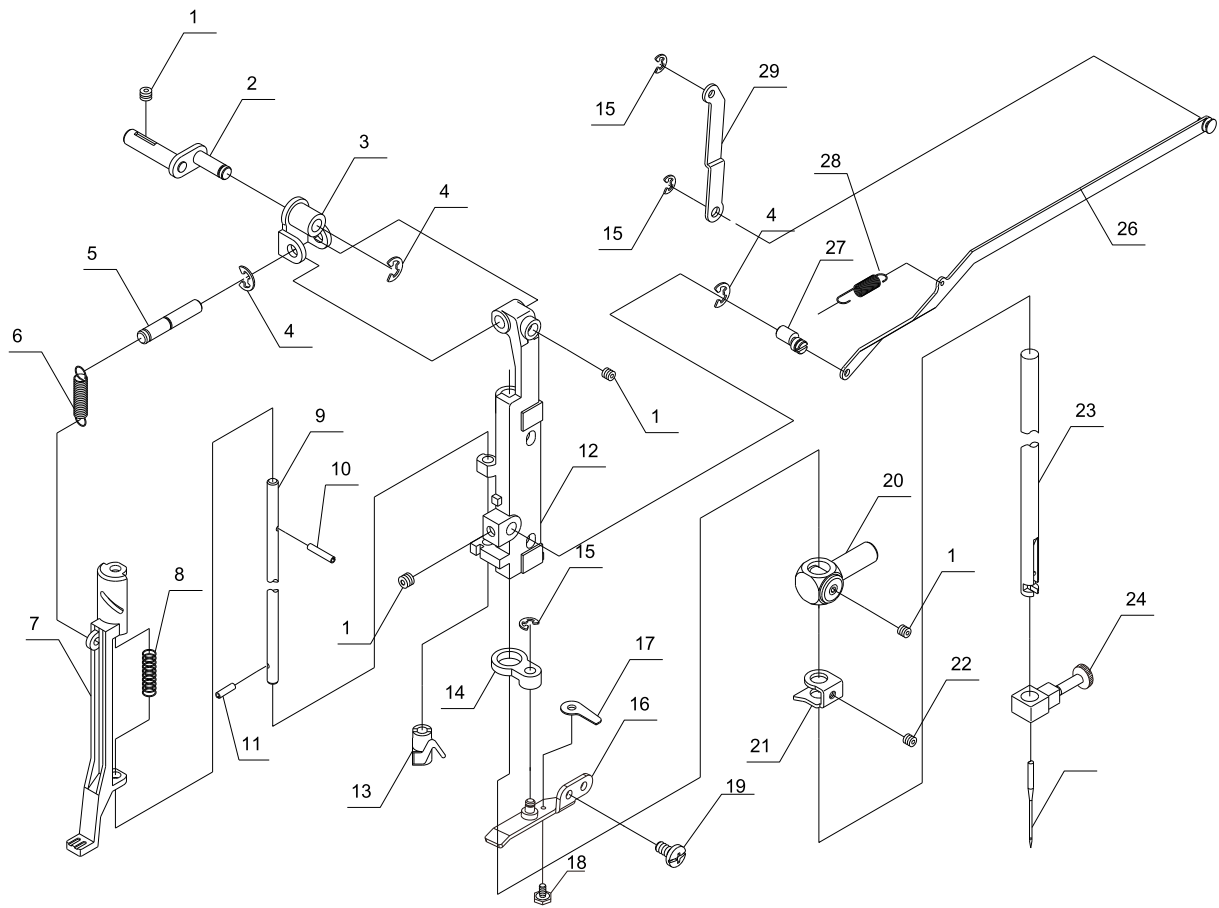
Assy Parts No.	No	Part No.	Name of part		Remark
	1	M986-027	Handle		
D					
Top Lid Assy	2	M986-044	Top lid with print		
E	3	M986-043	Top cover with print and BH tuning sticker		
		000071105	Hexagonal nut 4-3-7		
		000010003	Fasten nut M4*0.7		
		000001805	E type ring E-2		
	4	321143000	Bobbin winder stopper		
		000085501	Round head screw 4*18		
	6	M986-031	Threading guide plate (A)		
		000087908	Self tapping washer screw 3*8		
		000087012	Self tapping screw		
	7	128158	Threading guide plate (B)		
		000001805	E-ring E2		
	22	FA-064	Bobbin threading guide		
24	M986-079	latch of top cover			
		000081706	Flat head screw 4*14		
		000087909	Self tapping scew 3*6		
		000080201	Flat head self tapping scew 4*8		
5	128050	Spool Pin			
F		FATAN986	Accessory box set		
Accessory Tray Assy					
	12	M986-084	Handle supporter		
		001207	E- ring E4		
		000081407	Flat head screw 4*8		
	9	M986-030	Bottom plate		
	13	321011008	Rubber feet		
	14	M986-067	Moter Cover		
		000087104	Self tapping scew 3.5*8		
	15	M986-059	Presser foot lifter connector (E)		
	16	M986-007	Presser foot lifter connector (A)		
		000079402	Hexagon screw 4*8		
		000081200	Flat heat screw 4*4		
	17	M986-099	Presser foot lifter spring latch		
	18	000082408	Flat heat screw 3*6		
G	19	M986-046	Bottom cover (A)		
	20	M986-047	Bottom cover (B)		
	21	M986-040	Switch of drop feeding		
	22	868033	Connecting Spring		
	23	000002501	CS-3 ring		
	24	000080201	Flat head scew 4*8		
Free Arm Cover Assy					



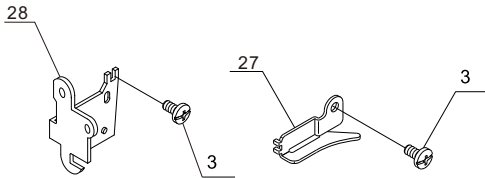
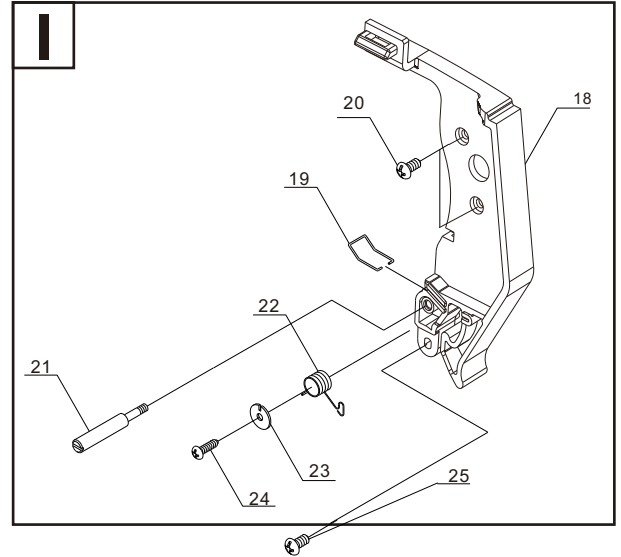
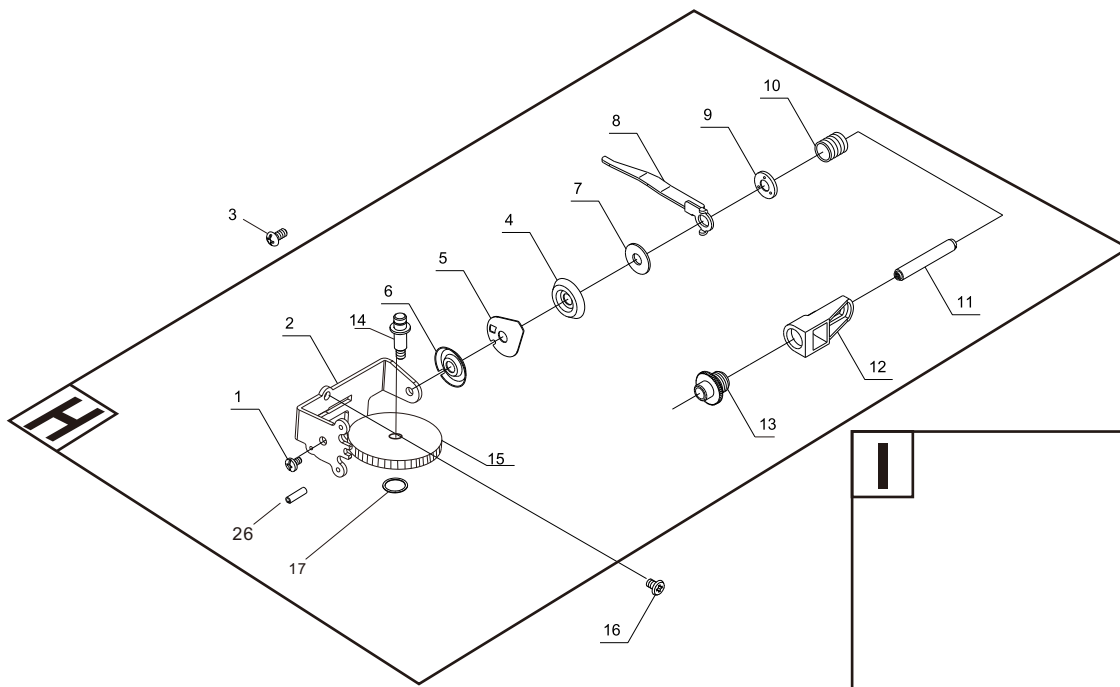
No	Part No.	Name of part		Remark
1				
2	AT128-501	Presser bar lift set assy.		
3				
4	000081304	Flat head screw		
5	128020	Release lever		
6	000002002	CS -RING CS5		
7	128127	Presser bar spring		
8	M986-012	Presser bar guide bracket		
9	000079402	Hexagon socket screw 4*8		
10	128017	Presser Bar Lifter		
11	000001209	E-ring E-4		
12	986026	Presser Bar		
13	270024003	Presser foot screw		
14	A-CY-7300F	Presser foot holder		
15	A-CY-7301W	Zigzag presser foot		
16	266011004	Washer 5.1*10*0.5		
17				
18	986503	BH connecting crank set		
19	M986-063	Zigzag motor base		
20	SCM988-002	Presser regulator bracket		
21	000080107	Flat head scew 4*6		
22	SCM988-003	Presser regulate crank (A)		
23	SCM988-004	Presser regulate crank (B)		
24	986031	Presser regulate dial		
25	986032	Presser regulate dial spring		
26	730118	Feed lifting spring bracket		
27	M986-010	Presser lifting connecting rod (D)		
28	M986-011	Presser lifting support plate		
29	000001505	E ring E-7		
30	M986-008	Presser lifting connecting rod (B)		
31	M986-009	Presser lifting connecting rod (C)		
32	M986-060	Presser lifting connecting rod spring		
33	M986-061	Presser lifting connecting rod shaft		
34	000007101	Opening pin 2*12		
35	000012603	Washer 4.5*12*0.8		
36	000081407	Flat head screw 4*8		
37	988028	Zigzag limited plate		
Page 3				



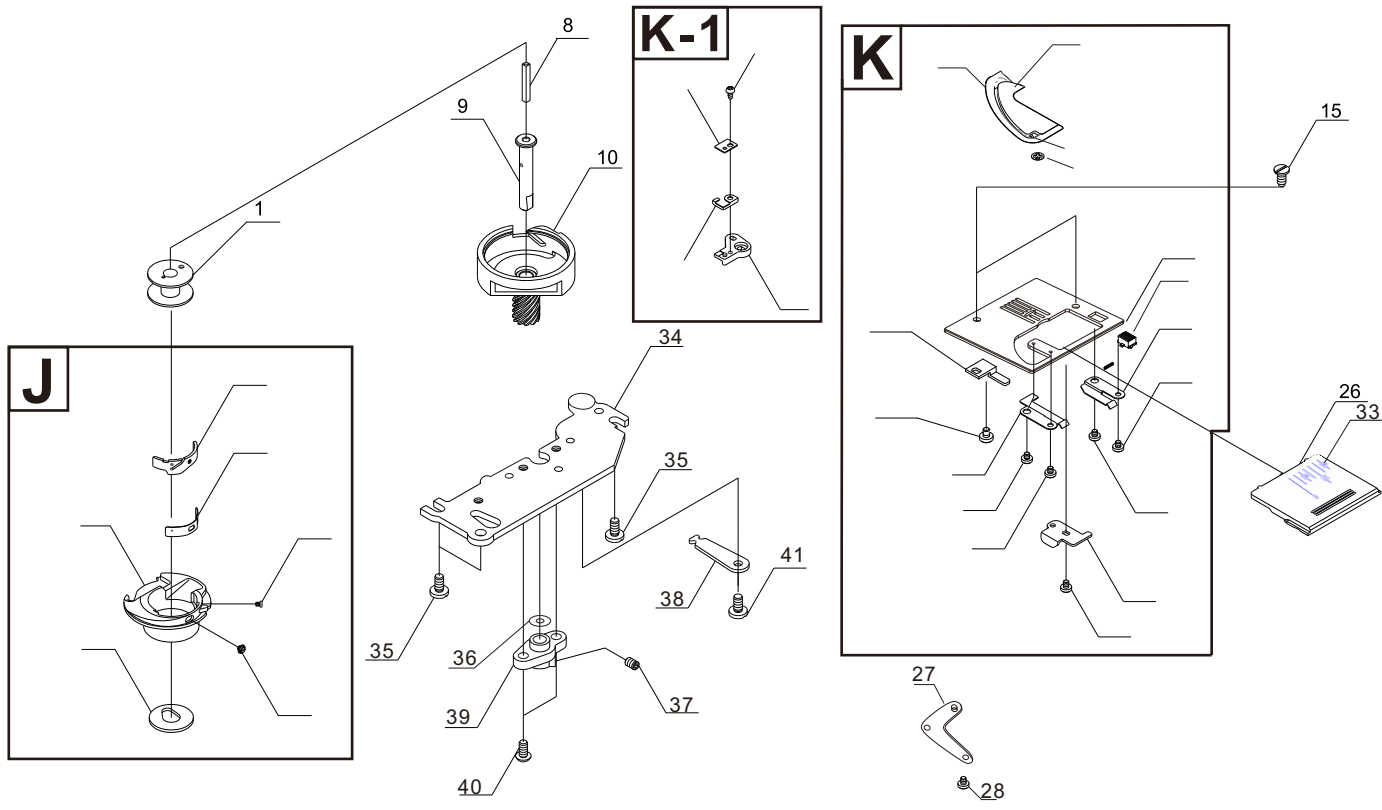
No	Part No.	Name of part		Remark
1	M986-025	Zigzag regulate		
2	986044	Regulate spring		
3	M986-023	Zigzag crank		
4	986043	Zigzag regulate Nut		
5	266009009	Screw M3*0.5*6		
6	986042	Regulate base		
7	000001209	E ring E-4		
8	000081304	Flat head screw 4*6		
9	986035	BH connecting crank base		
10	986036	BH connecting crank spring		
11	000081304	Flat head screw 4*6		
12	986148	Snap ring		
13	986038	BH connecting link		
14	000079000	Hexagon socket screw 3*4		
15	M986-006	BH turn crank		
16	000001805	E ring E-2		
17	986037	BH clutch connecting crank		
18	000001302	E ring E-5		
20	000081304	Flat head screw 4*6		
21	M986-033	Bracket of switching connecting rod		
Page 4				



No	Part No.	Name of part		Remark
1	000079103	Hexagon socket screw 4*4		
2	986051	Needle bar crank supporter shaft		
3	986050	Needle bar crank supporter		
4	000001207	Snap E-4		
5	730096	Needle bar crank pin		
6	730102	Threading body spring		
7	986054	Threading lever arm		
8	730103	Threading bar spring		
9	986055	Threading bar		
10	000006914	Spring Pin 2*12		
11	000006811	Spring Pin 2*8		
12	986052-1	Needle bar cradle		
13	270030003	Threading hook body		
14	986056	Needle bar lead plate		
15	000001104	Snap E-3		
16	986057	Needle bar lead base		
17	730099	Needle bar crank stop plate		
18	000082408	Flat head screw 3*6		
19	000081407	Flat head screw 4*8		
20	281045004	Needle bar crank rod link		
21	270017003	Threading positioning plate		
22	000079000	Hexagon socket screw 3*4		
23	986053-1	Needle bar		
24	168507	Needle clamp set		
		Needle HA-1T-14		
26	M986-026	Zigzag Lever		
27	730078	Zigzag eccentric pin		
28	730187	Needle bar crank spring		
29	986059	Zigzag regulate connecting lever		
Page 5				

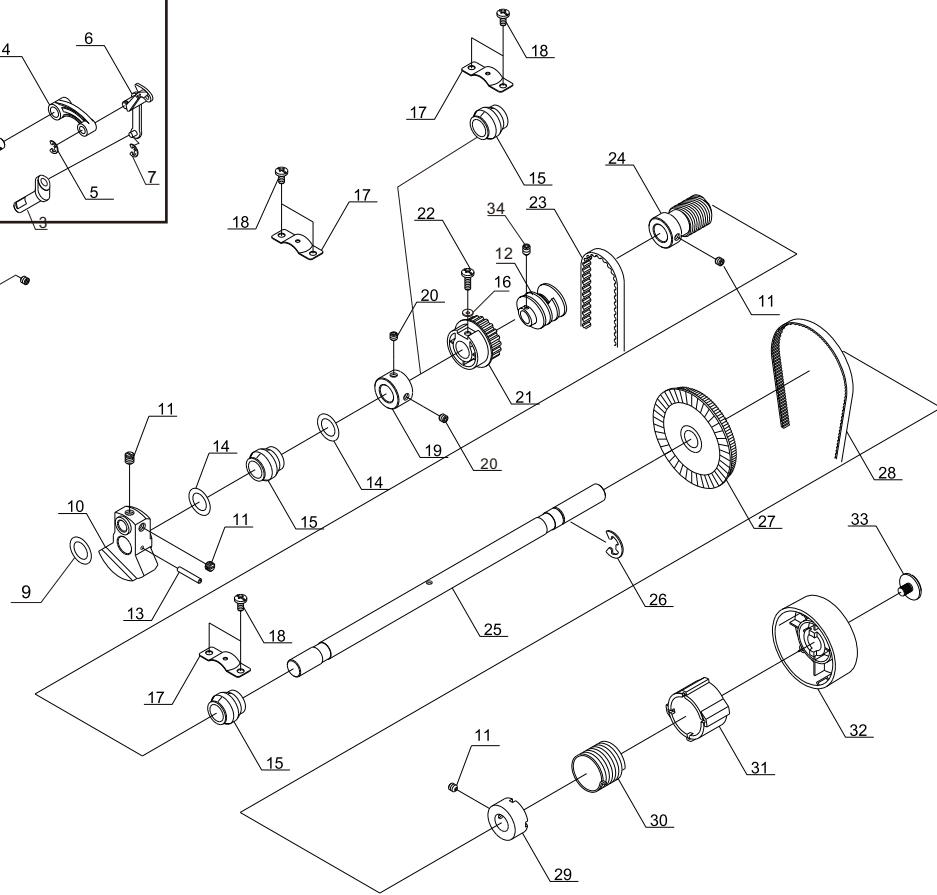
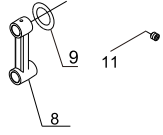
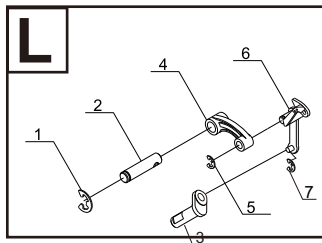


Assy Parts No.	No	Part No.	Name of part	Remark
H Thread Tension Assy.	1	000082408	Flat head screw 3*6	
	2	SCM988-012	Threading regulate plate	
	4	868060	Thread tension regulate flat	
	5	168232	Middle disc	
	6	868060	Thread tension regulate flat	
	7	868138	Washer 5.6*15*1	
	8	128038	Thread tension connecting plate	
	9	868113	Spring positioning disc	
	10	868115	Thread tension regulate spring	
	11	128035	Thread tension regulate base shaft	
	12	128034	Thread tension regulate plate	
	13	868118	Elastic regulate	
	14	128037	Thread tension dial screw	
	15	128036	Thread tension dial	
17	868234	Corrugated washer 9mm		
26	000007008	Spring pin 1.6*10		
I Check Spring Assy.	18	M986-048	Thread guide plate with print	
	19	128018	Thread guide spring	
	20	000084008	Round head screw 3*4	
	21	M986-086	Thread guide plate (2)	
	22	128019	Check spring	
	23	986048	Spring set plate	
	24	000087012	Self tapping screw 3*8	
	3	000081407	Flat head screw 4*8	
	16	000081407	Flat head screw 4*8	
	25	000084709	Round head screw 3*6	
	27	986049	Thread guide	
	28	SCM988-027	Thread guide base	
	Page 6			

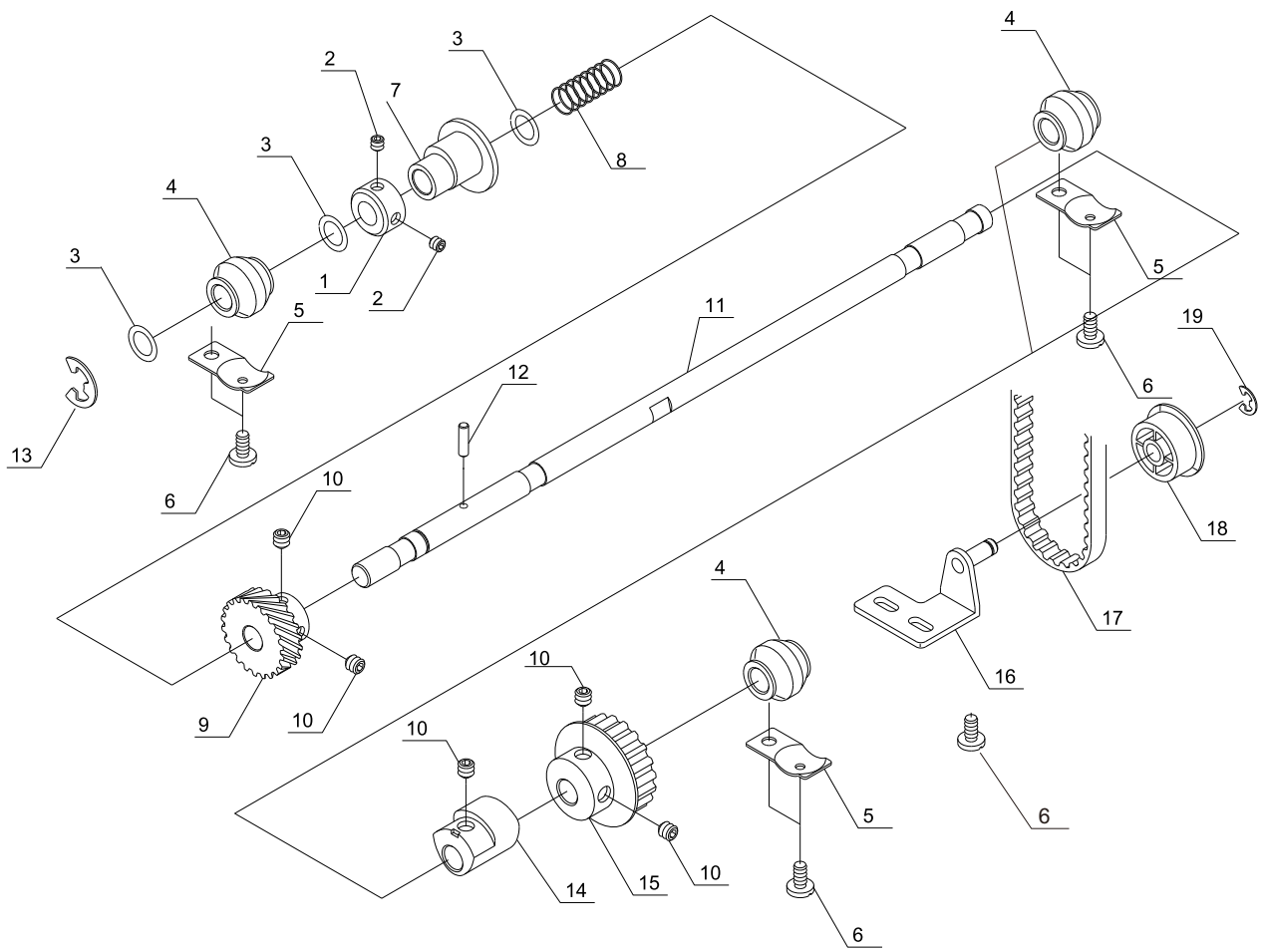


Assy Parts No.	No	Part No.	Name of part	Remark
	1	A-218023	Bobbin	
J		JBCAN986	Bobbin case	
	8	730168	Oil core	
	9	730143	Hook race shaft	
	10	128129	Hook	
K-1		K-1BCSSSN986	Bobbin case stop shrapnel set	
K		KNPAN986	Needle plate assy complete	
				× 2
				× 2
				× 2
	15	266017000	Needle plate screw	
	34	M986-020	Hook race base	
	35	000081407	Flat head screw 4.8	
	26	760003	Bobbin case clear cover	
	33	S-S01	Sticker marking	
	36	000013017	Washer	
	37	000079206	Hexagon socket screw 4*6	
	38	730118	Feeding lift spring bracket	
	39	730141	Hook race set body	
	40	000084400	Round head screw 4*8	
	41	000081304	Flat head screw	
	27	M986-034	Needle plate support	
	28	M986-068	Screw	
	Page 7			

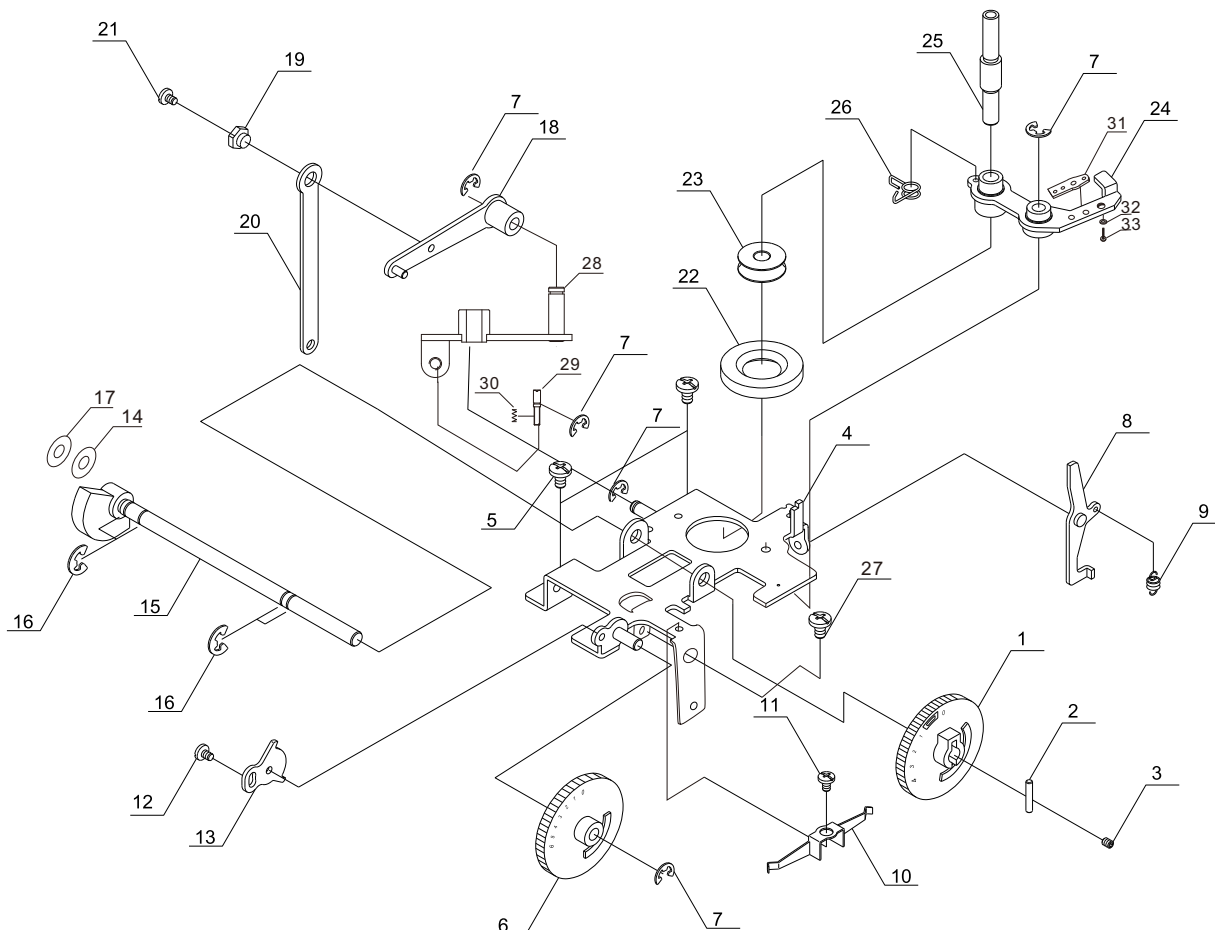
Prefisso SI



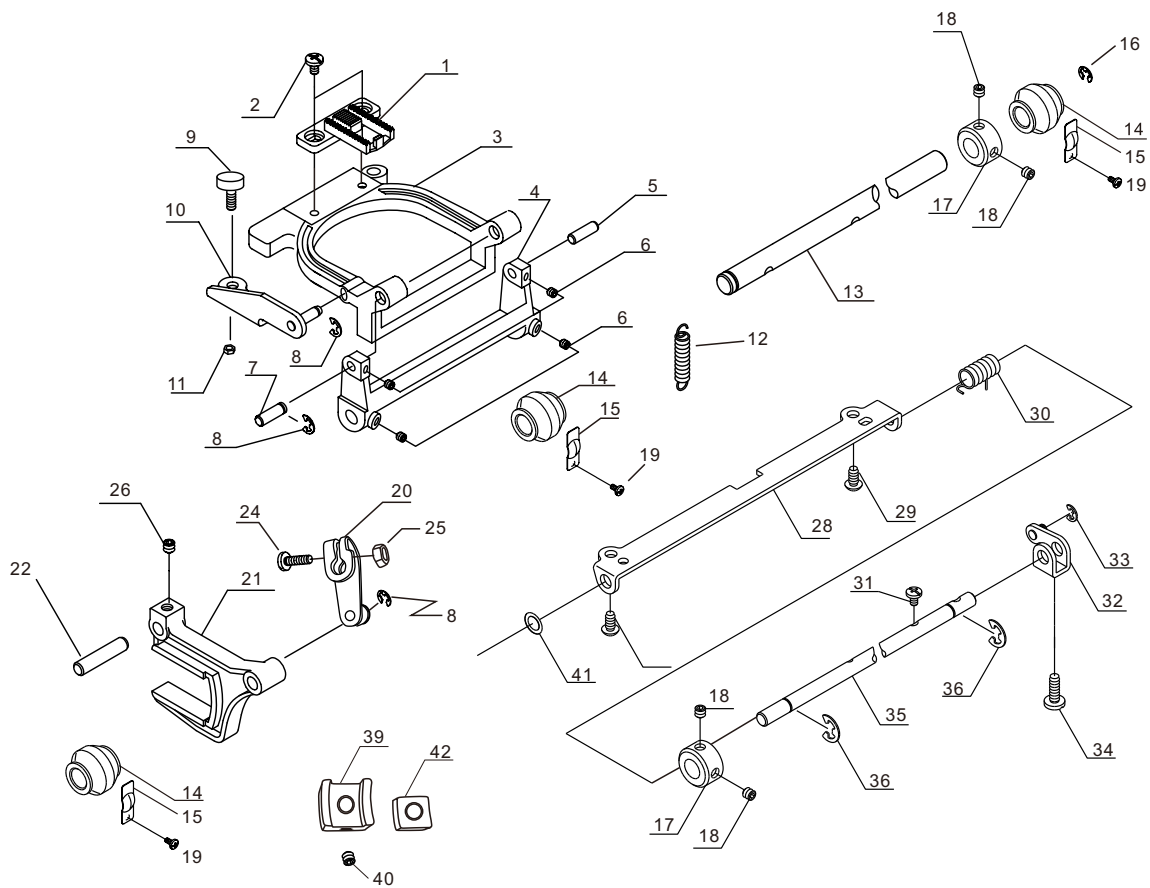
Assy Parts No.	No	Part No.	Name of part		Remark
L Thread Take Up Lever Link Set Assy.	1	FA-502	Take-up lever link set (with slot plate)		
	2				
	3				
	4				
	5				
	6				
	7				
	11	000079309	Hexagon socket screw 5.5		
	8	FA-004	Needle bar crank rod		
	9	000013017	Thrust Washer 6.2*9.5*0.13		
	10	N620047	Take up crank		
	12	FA416-032	Upper positioning cam (ø:10mm)		
	13	000006408	Spring pin 3*20		
	14	000013305	Thrust washer 10.2*15*0.5		
	15	268007209	Upper shaft bushing		
	16	000088002	Spring washer M5		
	17	829048	Upper shaft bushing fixing plate		
	18	000081407	Flat head screw 4.8		
	19	620060008	Upper shaft ring		
	20	000079608	Hexagon socket screw 11/64*4		
	21	168010	Timing gear A (10Ø)		
	22	000081706	Flate head screw		
	23	000092906	Timing belt 184L		
	24	M986-078	Upper shaft worm		
	25	M986-055	Upper shaft		
	26	000001609	E-ring E-9		
	27	168011	Motor belt wheel		
	28	307-038	Motor Belt 516-2GT		
	29	168012	Clutch bushing		
	30	868031	Clutch spring		
	31	868030	Clutch sleeve		
	32	168013	Handwheel		
	33	868024	Stop motion screw of Hand wheel		
	34	000079505	Hexagon socket screw 4*3		
	Page 8				



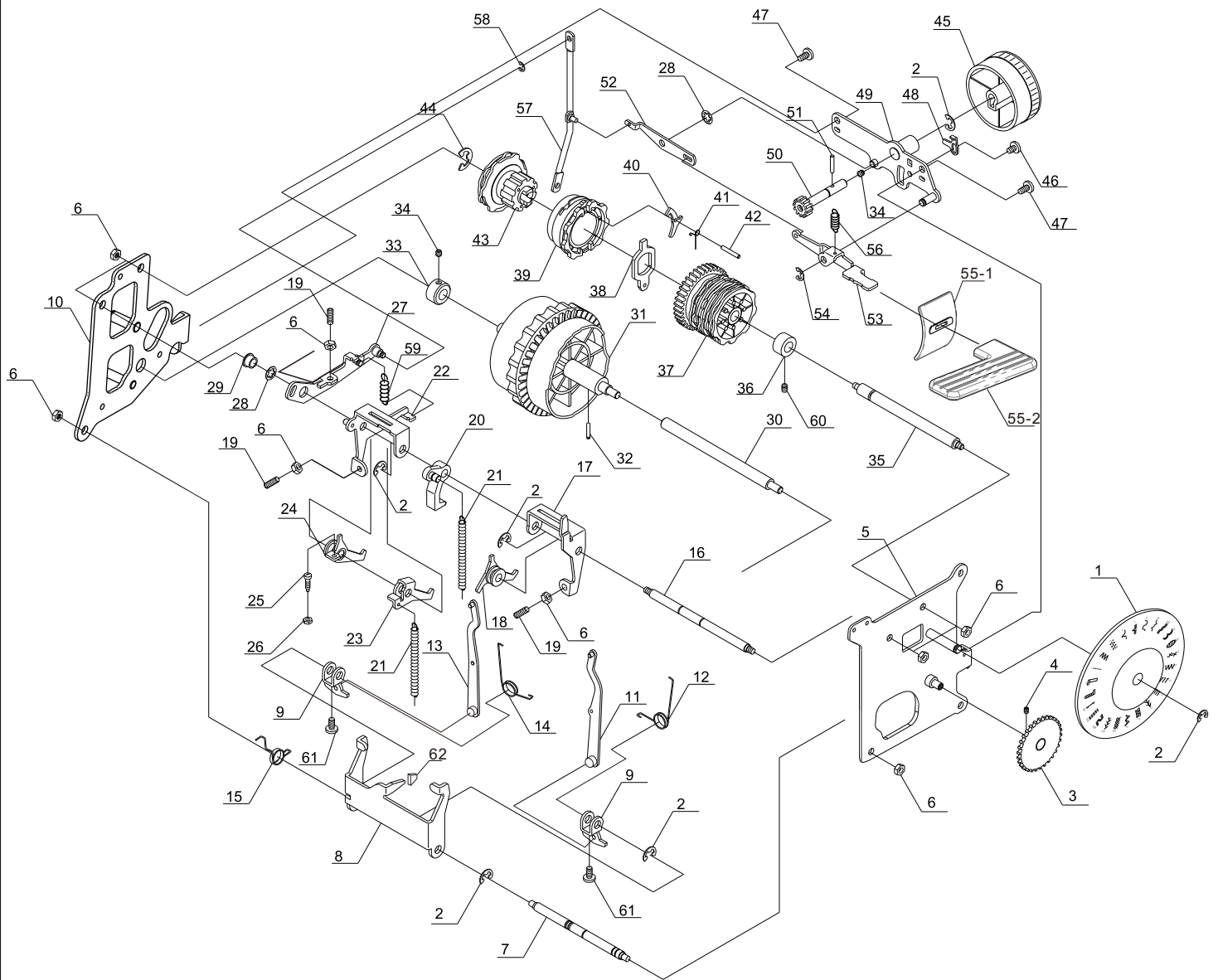
No	Part No.	Name of part		Remark
1	M986-065	Lower shaft ring		
2	000079000	Hexagon socket screw 3*4		
3	000013430	Thrust washer 8.2*12*0.25		
4	730123	Lower shaft bushing		
5	730124	Lower shaft bushing plate		
6	000081407	Flat head screw 4*8		
7	730113	Feed lifting cam		
8	730115	Feed lifting connecting spring		
9	730121	Lower shaft hook gear		
10	000079309	Hexagon socket screw 5*5		
11	M986-056	Lower shaft		
12	730116	Feed lifting cam pin		
13	000001505	E-ring E-7		
14	C168-041	Feed cam		
	C168-042			
15	C168-043	Timing gear (B)		
	C168-044			
16	C986-034	Belt tension regulate wheel plate		
17	000092906	Timing belt		
18	730083	Belt tension regulate wheel		
19	000001207	E ring E-4		
Page 9				

M

Assy Parts No.	No	Part No.	Name of part	Remark
M Stitch Length Stitch Width Bobbin Winder Module Assy.	1	986067	Feed regulate dial	
	2	730111	Pin	
	3	000079000	Hexagon socket screw 3*4	
	4	M986-003	Regulate dial plate	
	5	000081407	Flat head screw 4*8	
	6	986072	Stitch width dial	
	7	000001207	E ring E-4	
	9	730037	Clutch rod spring	
	10	986074	Zigzag shrapnel	
	11	000084008	Round head screw 3*4	
	12	266009009	Screw M3*0.5*6	
	13	986073	Zigzag dial stop plate	
	14	321026006	Corrugated washer 6 mm	
	15	986065	Feed regulate cam	
	16	000001300	E ring E-5	
	17	281128002	Washer 6.1*9*0.6	
	18	986071	Feed regulate crank	
	19	986149	Regulate Nut	
	20	986091	Feed rod (B)	
	21	000001103	Hex head Screw M3*8	
	22	266033008	Rubber wheel	
	23	266032007	Bobbin winding base	
	24	M986-001	Bobbin winding crank	
	25	M986-002	Bobbin winding shaft	
	26	M986-073	Bobbin winding crank spring	
	27	000084400	Round head screw 4*8	
	28	M986-083	BH tuning regulate crank	
	29	M986-081	BH tuning regulate crank screw	
	30	M986-082	BH tuning regulate crank spring	
	31	128022	Bobbin Switch base	
	32	000080206	Round head screw 2*8	
	33	TS-2005	Washer 3.2*8*1	
	Page 10			

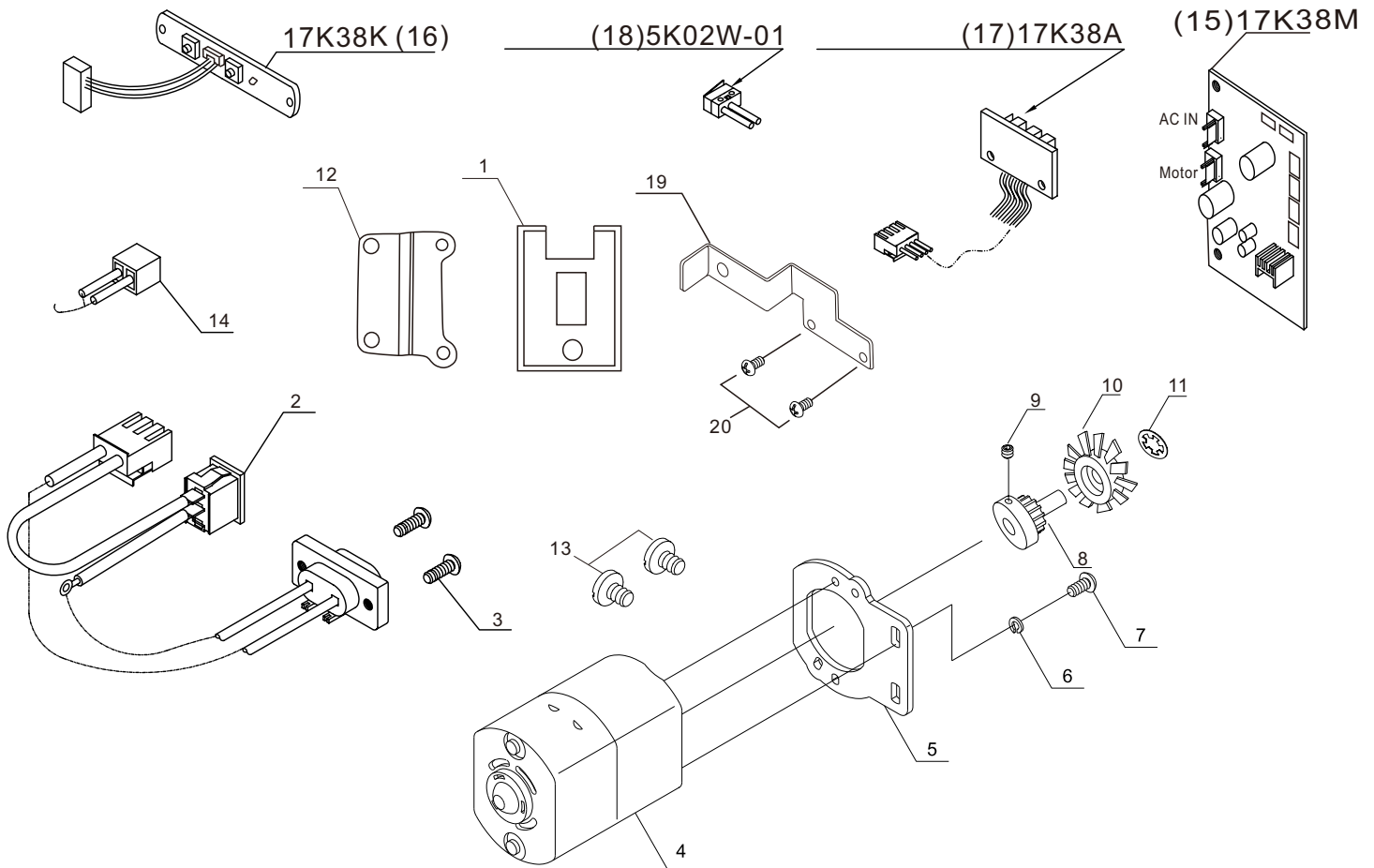


No	Part No.	Name of part		Remark
1	M986-004	Feed dog		
2	000083007	Round head screw 3*5		
3	128063	Feed dog base		
4	128065	Feed dog link base		
5	128067	Feed dog base pin		
6	000079103	Hexagon socket screw 4*4		
7	128066	Feed dog base pin (A)		
8	000001104	E ring E-3		
9	829023	Feed lifting regulate screw		
10	128076	Feed lifting crank		
11	000010003	Fasten nut (M4*0.7)		
12	730139	Feed dog base spring		
13	M986-057	Feeding shaft		
14	790018	Feeding shaft bushing		
15	M986-074	Feeding shaft regulate plate		
16	000001300	E ring E-5		
17	730307	Needle bar shaft ring		
18	000079000	Hexagon socket screw 3*4		
19	000084400	Round head screw 4*8		
20	FA-012	Feeding crank		
21	M986-075	Feed driving fork rod		
22	M986-076	Pin		
24	000015008	Flat head screw 4*18		
25	000071105	Hexagon nut 4-3-7		
26	000079103	Hexagon socket screw 4*4		
28	M986-021	Feeding base plate		
29	000081407	Flat head screw 4*8		
30	730053	Feed regulate spring		
31	000082305	Flat head screw 3*5		
32	986079	Feed regulate shaft crank		
33	000001104	E ring E-3		
34	000079206	Hexagon socket screw 4*6		
35	M986-058	Feeding regulate shaft		
36	000001300	E ring E-5		
39	M986-013	Feed regulator		
40	000079309	Hexagon socket screw 5*5		
41	000013006	Washer 0.2*0.5*0.25		
42	M986-014	Sliding lump		

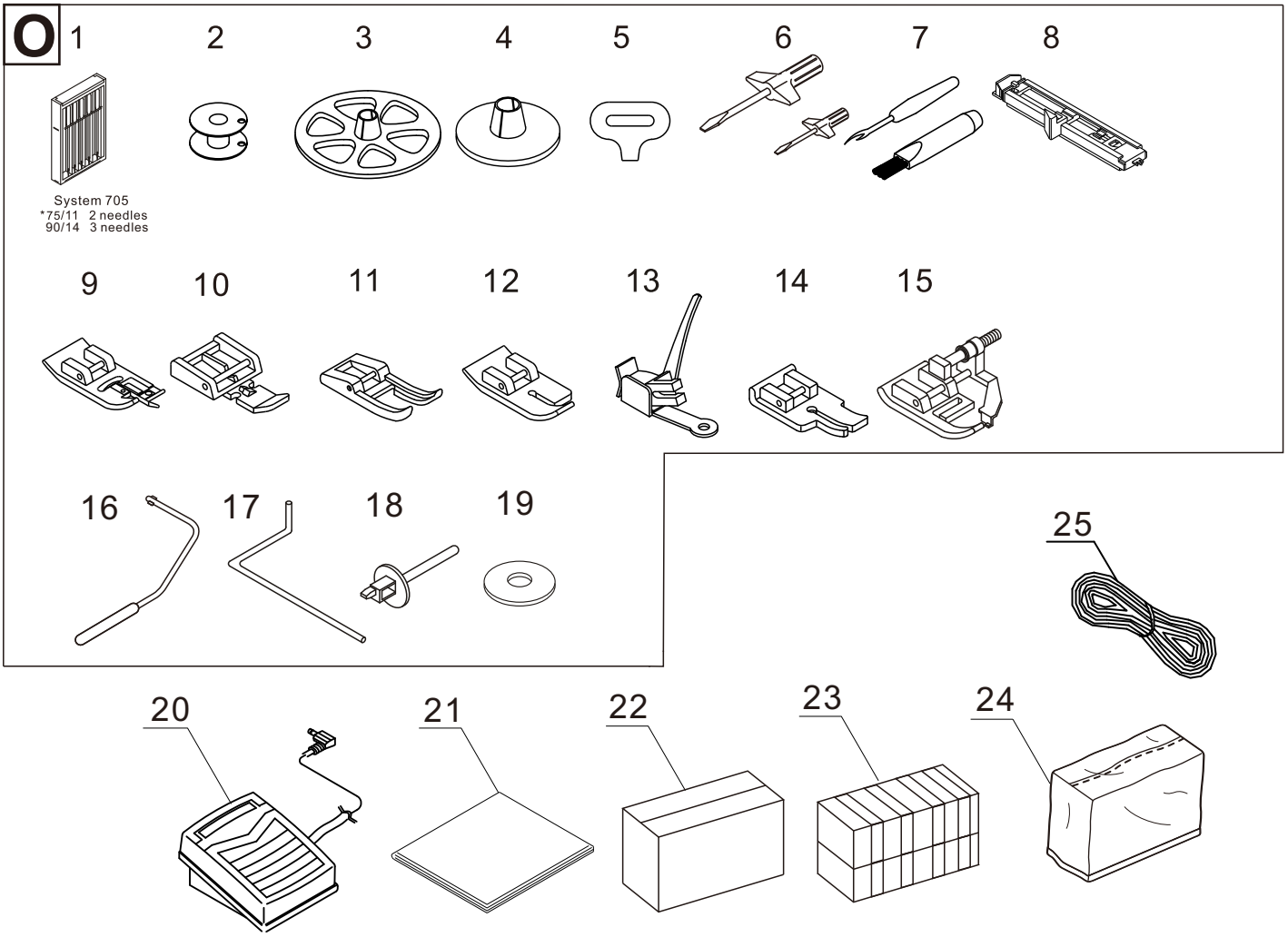


Assy Parts No.	No	Part No.	Name of part		Remark
	1	986121	Pattern disc plate		
	2	000001300	Snap ring E-5		
	3	730129	Pattern selector gear		
	4	000079000	Hexagon socket screw 3*4		
	5	M986-018	Base (Front)		
	6	000071105	Hexagon nut 4-3-7		
	7	986093	Control crank shaft		
	8	986092	Control crank		
	9	986506	Pattern selector crank holder		
	11		Pattern selector crank (z)		
	10	M986-019	Base (rear)		
	12	986098	Pattern selector crank spring		
	9	986505	Pattern selector crank holder		
	13		Pattern selector crank (F)		
	14	986100	Pattern selector crank spring		
	15	986094	Control crank spring		
	16	986080	Claw shaft		
	17	986081	Claw support bracket (z)		
	18	986082	Claw (z)		
	19	000077008	Set screw 4*12		
	20	986083	BH claw (z)		
	21	986087	BH claw spring		
	22	986084	Claw support bracket (F)		
	23	986086	BH claw (Feed)		
	24	986085	Claw (Feed)		
	25	986129	Regulate screw		
	26	000071002	Hexagon nut 3-3-5.5		
	27	986088	Reverse crank		
	28	000002301	Snap ring CS-4		
	29	986089	Indicate plate		
	30	986118	Pattern selector cam shaft		
	31	829013	Pattern selector cam		
	32	000006914	Spring Pin 3*12		
	33	730122	Shaft ring		
	34	000079103	Hexagon socket screw 4*4		
	35	986101	Pattern cam shaft		
	36	268005417	Pattern cam spring		
	37	986102	Pattern cam (z)		
	38	986103	BH control cam		
	39	986104	BH cam		
	40	986105	BH clutch		
	41	986106	BH clutch spring		
	42	986107	BH clutch pin		
	43	986108	Pattern cam (F)		
	44	000001505	Snap ring E-7		
	45	986112	Pattern selector dial		
	46	000081304	Flat head screw 4*6		
	47	000081407	Flat head screw 4*8		
	48	986115	Reverse regulate plate		
	49	986109	Pattern selector plate		
	50	M986-070	Pattern selector dial gear		
	51	730111	Pin		
	52	986110	Reverse crank (B)		
	53	986113-1	Reverse crank (A)		
	54	000001207	Snap ring E-4		
	55-1	M986114-1	Reverse dial (A)		
	55-2	M986114	Reverse dial (B)		
	56	986139	Reverse dial spring		
	57	986070	Reverse rod (A)		
	58	000001104	Snap ring E-3		
	59	986090-2	Reverse crank spring		
	60	000079000	Hexagon socket screw 3*4		
	61	000079402	Flat head screw 3*8		
	62	829088	Sleeve		
	Page 13				

N
Pattern Cam
Module Assy.



No	Part No.	Name of part		Remark
1	C2900-015	Power socket cover		
2	E-SCM128CE	Power cord socket (JR 201) ON/OFF Switch(JS 606)		
3	000087777	T Screw 3*10*8		
4	M-YM261-9 FW2-17	Motor (240V)		
5	M986-066	Motor base		
6	000088002	Spring washer M5		
7	000081500	Round head screw 4*10		
8	128114	Motor belt wheel		
9	000079103	Hexagon socket screw 4*4		
10	128117	Motor fan		
11	000002301	CS ring CS-4		
12	M986-119	Power socket support		
13	000081407	Flat head screw 4*8		
14	YSD 5K02W-06	Foot control jacket		
15	EML986-2	PCB 17K38M, 17K38K, 17K38A- SWITCH 5K02W-01		
16				
17				
18				
19	M986-136	Photosensor fixing plate		
20	868236	Plastic screw 3*6		



Assy Parts No.	No	Part No.	Name of part		Remark
O Accessory Set	1	A-321415006A	Needle set		
	2	A-218023	Bobbin		
	3	A-986014049	Spool cap (big)		
	4	A-986013046	Spool cap (small)		
	5	M986-098	Needle plate screwdriver		
	6	A-321403012	Screwdriver set		
	7	A-321406015	Seam ripper with brush		
	8	A-986508	BH FOOT		
	9	A-CY-7310G	Overcasting foot		
	10	A-CY-7306	Zipper foot		
	11	A-CY-0101	Open toe foot		
	12	A-CY-7304W	Straight stitch		
	13	A-CY-307	Darning/Free motion quilting foot		
	14	A-CY-7312	1/4 quilting foot		
	15	A-CY-7308A	Blind hem foot		
	16	M986-624	Kneelifter		
	17	7311	Quilting guide		
	18	730010012	Vertical spool pin		
	19	321402000	Spool pin felt		
	20	YC-485EC	Foot controller		
	21	B-N986	Instruction book		
	22	Q-N986	Carton box		
	23	P-ML986	Styrofoam		
	24	C-N986	Dust Cover with Necchi embroidery		
	25	E-SCM168CE(L)	Power cord & Plug		
	Page 15				

Prefisso SI