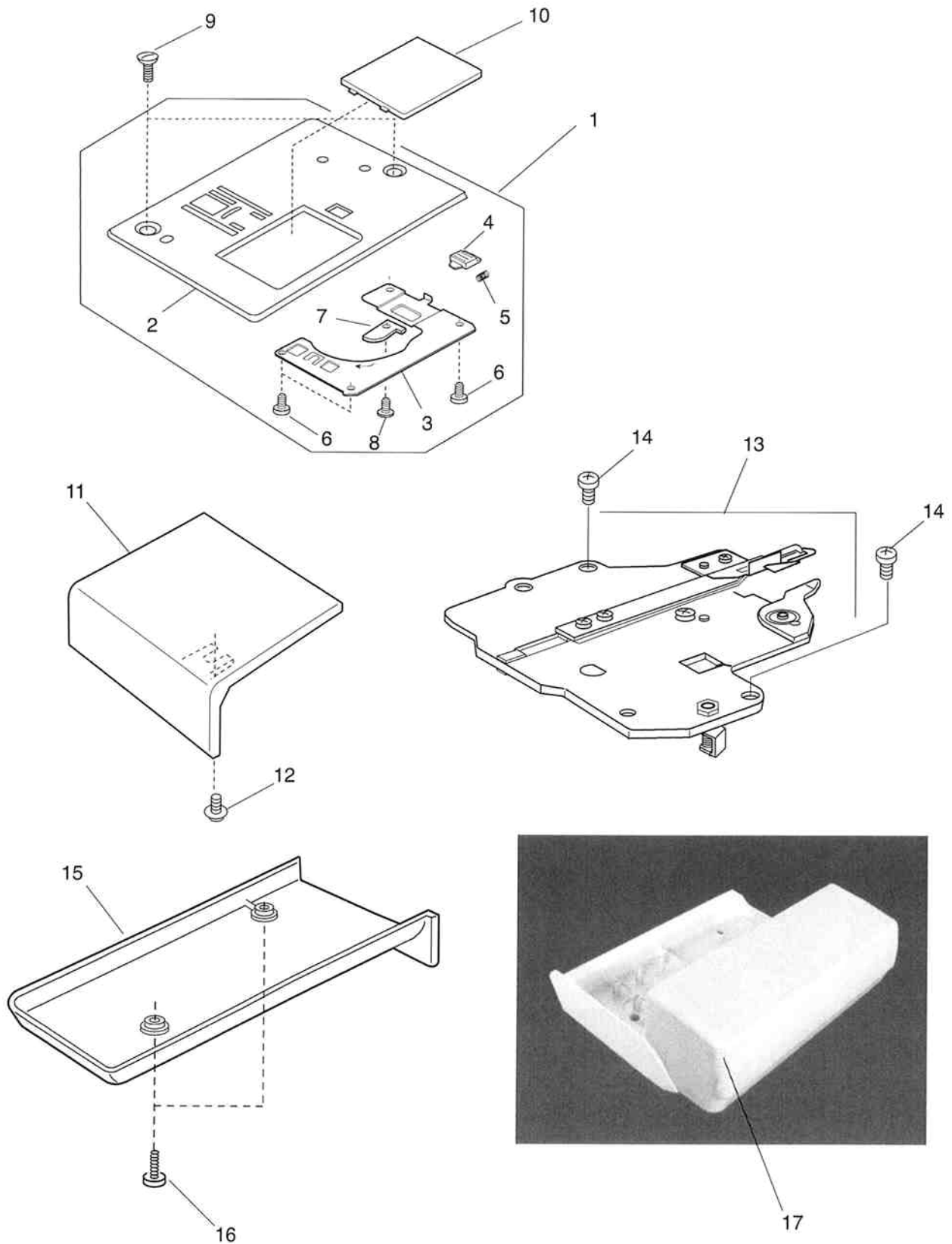


PARTS LIST

MODEL e9500

NECCHI

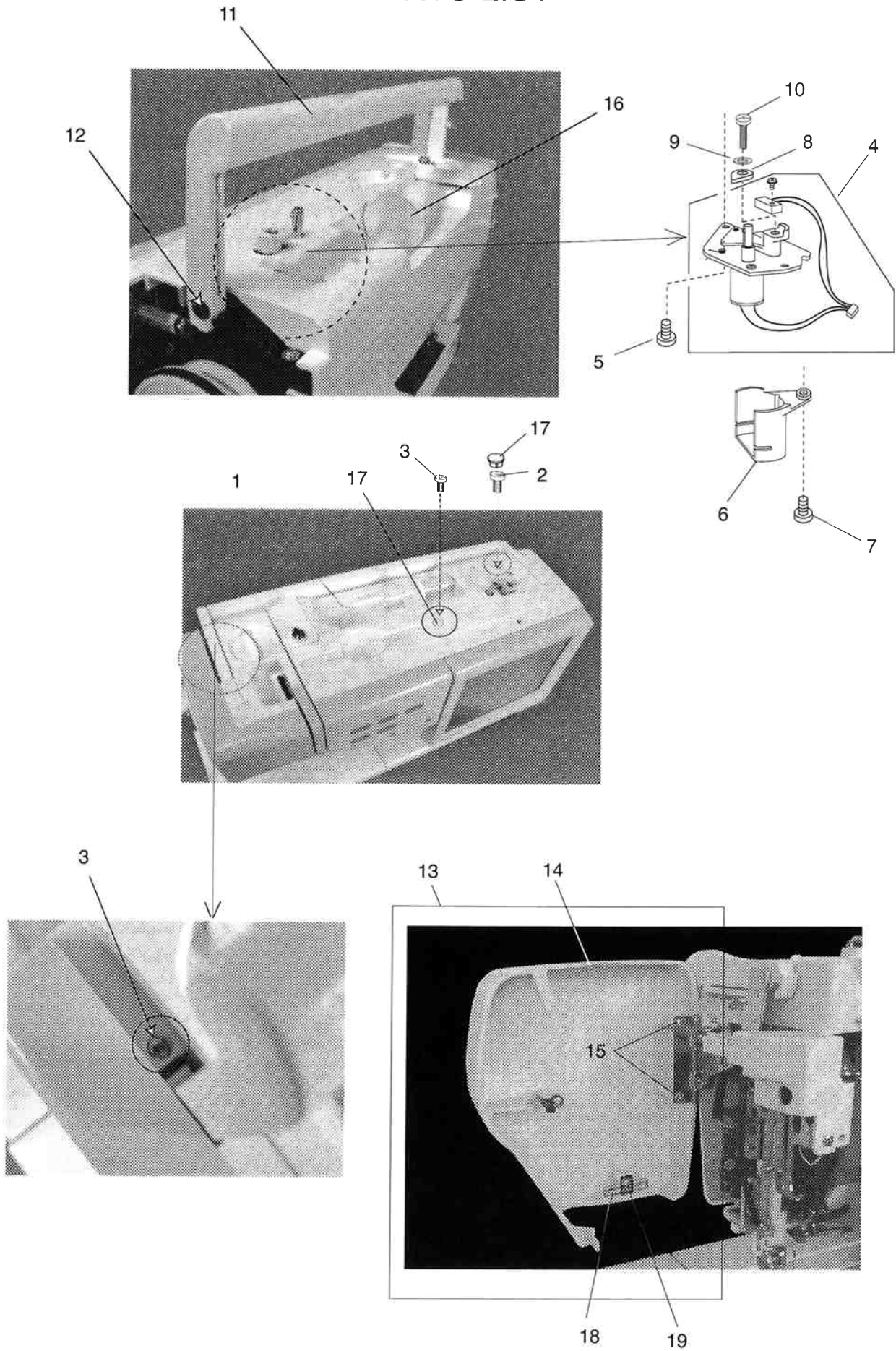
PARTS LIST



PARTS LIST

NO.	PART#	DESCRIPTION
1	860544104	Needle plate (unit)
2	860023009	Needle plate
3	846030005	Hook cover plate supporter
4	825016000	Hook cover plate supporter block
5	825017001	Spring
6	820374004	Setscrew 2x2.3
7	846222109	Bobbin holder stopper
8	000097613	Setscrew 2x4
9	820390109	Setscrew
10	846271103	Hook cover plate
11	860049001	Thread cutter cover
12	000115205	Setscrew TP 4x6
13	860625100	Thread cutter (unit)
14	000081005	Setscrew 4x8
15	860091008	Bed cover
16	000103509	Setscrew 4x10
17	860568001	Extension table (unit)

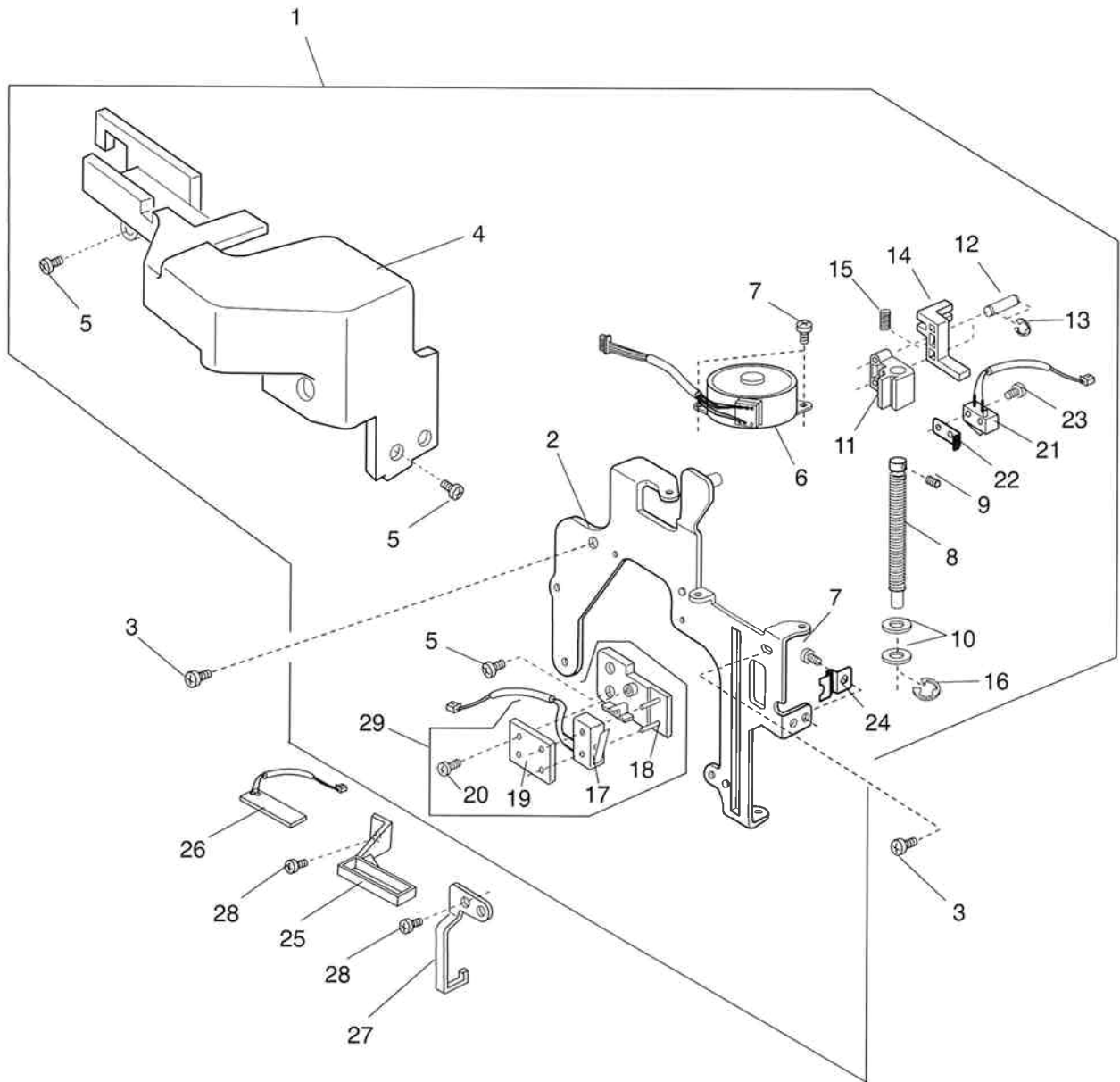
PARTS LIST



PARTS LIST

NO.	PART#	DESCRIPTION
1	860637002	Top cover (unit)
2	PREFISSO "J" 000103200	Setscrew 4x30
3	000066705	Setscrew 3x8
4	846606008	Bobbin winder (unit)
5	000120203	Setscrew 3x8
6	846179007	Bobbin winder motor cover
7	PREFISSO "J" 000119704	Setscrew 3x14
8	846177005	Bobbin winder stopper
9	000071013	Washer
10	000104119	Setscrew 4x20
11	PREFISSO "J" 860090007	Carrying handle
12	000001609	Snap ring E5
13	860670306	Face plate (unit)
14	860689308	Face plate (unit)
15	000077503	Setscrew 4x6
16	PREFISSO "J" 822020503	Spool holder (large)
17	653006101	Cap
18	832508006	Thread cutter (unit)
19	000161103	Setscrew 3x6 (B)

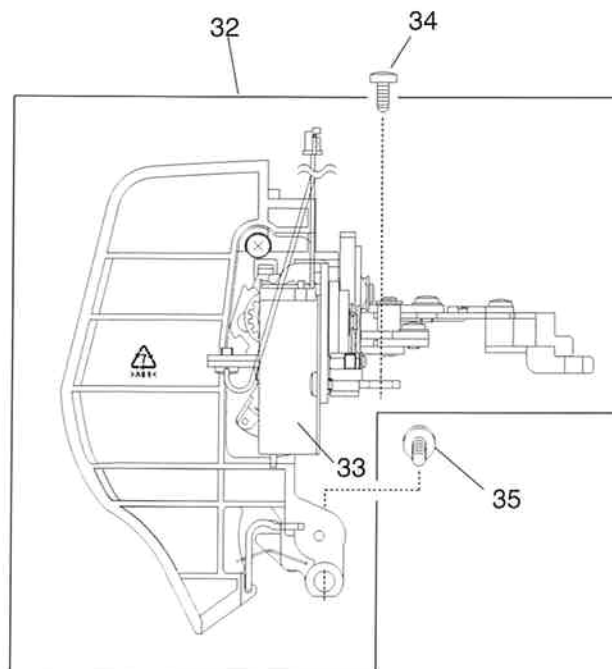
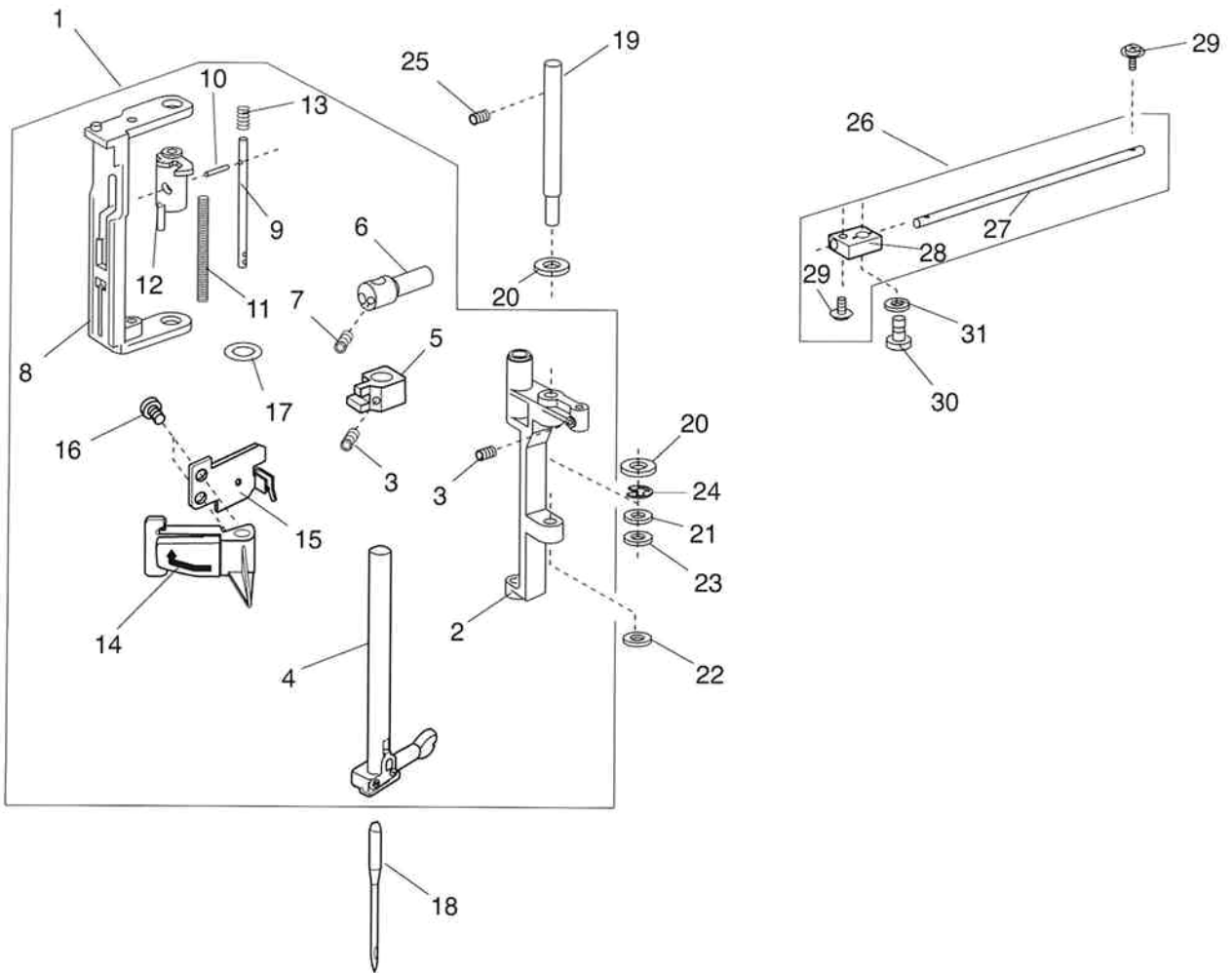
PARTS LIST



PARTS LIST

NO.	PART#	DESCRIPTION
1	860612001	Needle threader motor (unit)
2	860018001	Front set plate
3	000081005	Setscrew 4x8
4	850019012	Motorcover
5	000103819	Setscrew 3x5
6	860525006	Stepping motor(unit)
7	000101105	Setscrew 3x4
8	850015007	Threader feed screw
9	000110509	Hexagonal socket screw 3x3
10	000036603	Thrust washer FT50
11	850016019	Threader carriage1
12	850098004	Threader carriage pin
13	000002301	Snap ring E2
14	850017009	Threader carriage 2
15	850018000	Threader carriage spring
16	000002507	Snap ring E4
17	850507207	Micro switch (unit)
18	850170001	Switch set plate
19	850171002	Switch cover
20	000162805	Setscrew 2x6 (B)
21	850538104	Micro switch (unit)
22	850652002	Cord guide 1 (unit)
23	000134004	Setscrew 2x10 (B)
24	850653003	Cord guide 2 (unit)
25	860184009	Lamp set plate
26	860518006	Printed circuit board L3 (unit)
27	860185000	Lamp supporter
28	000103808	Setscrew 3x5
29	860662006	Micro switch (unit)

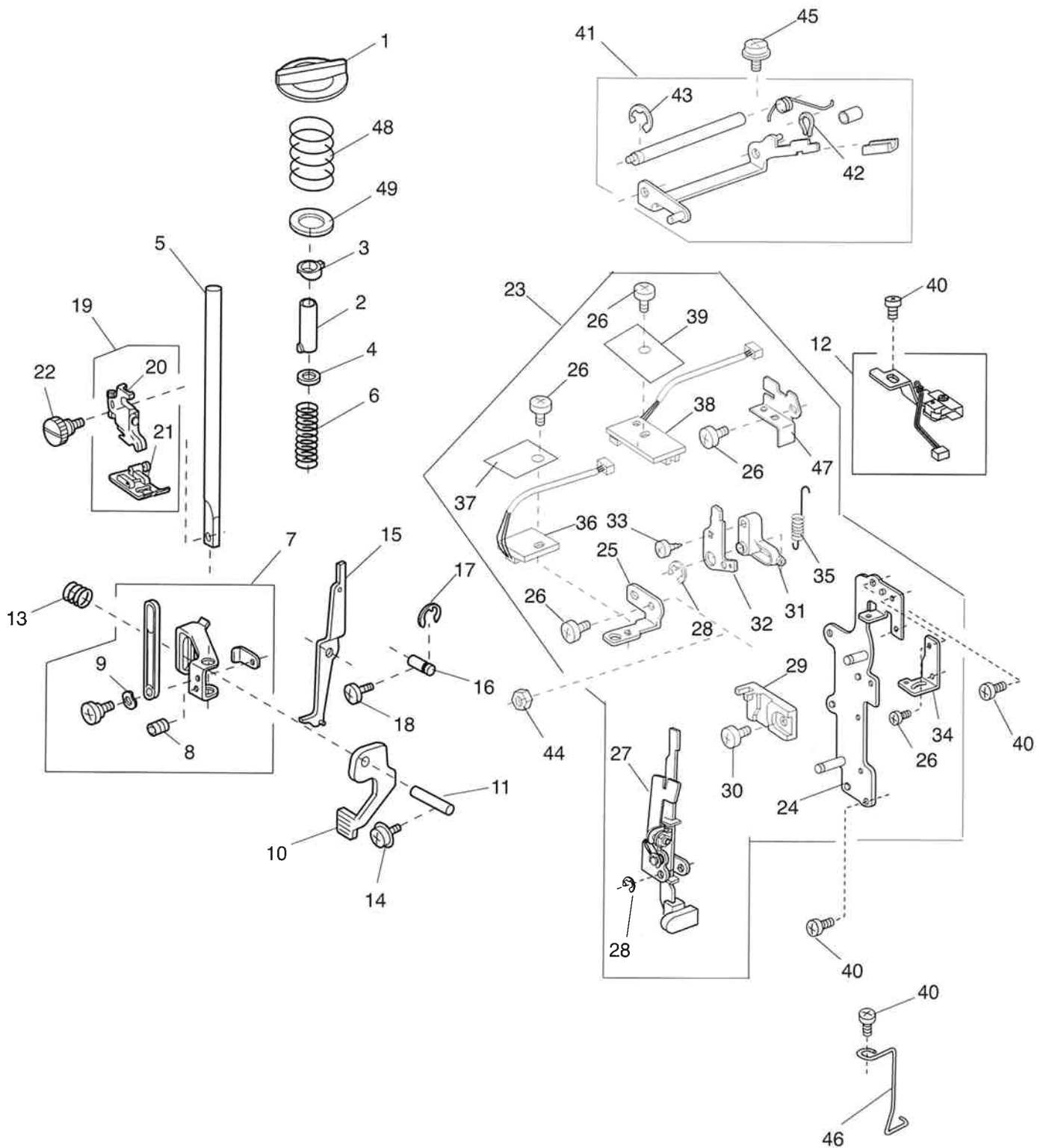
PARTS LIST



PARTS LIST

NO.	PART#	DESCRIPTION
1	850605309	Needle bar supporter (unit)
2	850020005	Needle bar supporter
3	000111902	Hexagonal socket screw 3x4
4	830609600	Needle bar (unit)
5	850021006	Threader positioning setting base
6	751047008	Needle bar connecting stud
7	000111201	Hexagonal socket screw 4x4
8	850022007	Threader flame
9	850023019	Threader shaft
10	850173004	Pin
11	860260000	Threader shaft spring
12	850025000	Threader guide
13	850026001	Threader guide spring
14	850631005	Threader holder (unit)
15	850508105	Threader plate (unit)
16	000102807	Setscrew 2x4
17	000174110	O Ring
18	102408089	Needle HAx3N-14
19	823018006	Needle bar supporter shaft
20	822063003	Felt (2)
21	000036108	Thrust washer FT70
22	000036603	Thrust washer FT50
23	000116000	Washer 7
24	000001609	Snap ring E5
25	000111108	Hexagonal socket screw 4x6
26	860610009	Zigzag width rod (unit)
27	860024000	Zigzag width rod
28	823065008	Needle bar supporter connecting stud
29	000115308	Setscrew TP 2x8
30	823066009	Connecting rod shaft
31	000116103	Washer4
32	860666000	Thread tension (unit)
33	860523303	Stepping motor (unit)
34	000081005	Setscrew 4x8
35	000101703	Setscrew 4x12

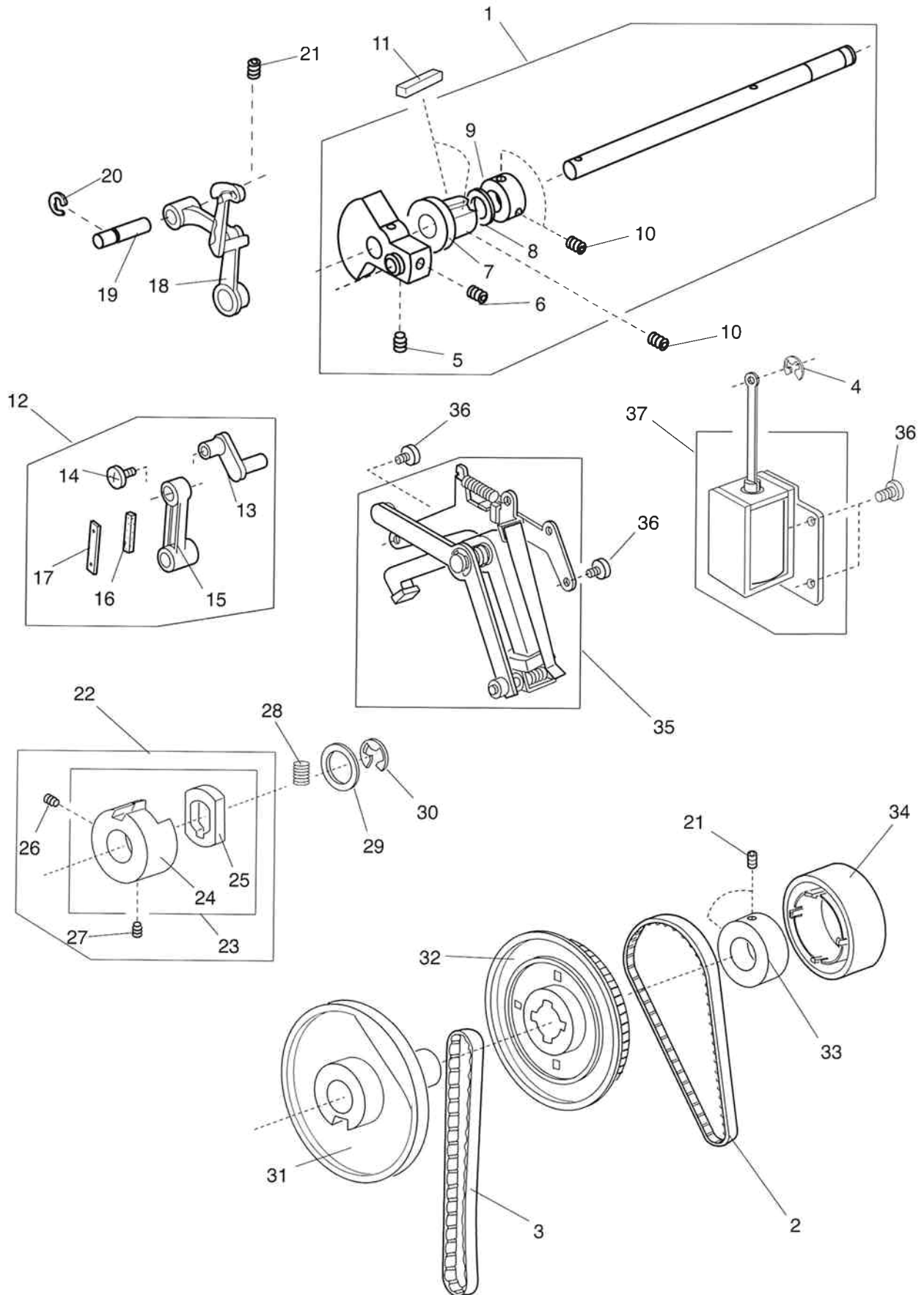
PARTS LIST



PARTS LIST

NO.	PART#	DESCRIPTION
1	860014007	Presser foot pressure adjusting dial
2	830027000	Presser bar bushing
3	830028001	Pressure adjusting cam
4	102061008	Washer
5	830029002	Presser bar
6	830030006	Presser bar spring
7	830586035	Presser bar supporter (unit)
8	000111500	Hexagonal socket screw 4x8
9	000116608	Washer 5
10	830035012	Presser foot lifter
11	822072005	Presser foot lifter pin
12	860657008	Presser foot sensor (unit)
13	102222009	Spring
14	000115629	Setscrew TP 4x8
15	830037025	Tension release lever
16	830338007	Tension release leverpin
17	000002507	Snap ring E4
18	000081027	Setscrew 4x8
19	832501009	Presser foot (unit)
20	830504017	Presser foot holder (unit)
21	832523007	Zigzag foot (unit)
22	825252000	Thumbscrew
23	860611000	Front bracket (unit)
24	860095002	Front bracket
25	846044002	Sensor set plate
26	000101105	Setscrew 3x4
27	850630107	Buttonhole lever (unit)
28	000002105	Snap ring E3
29	830057010	Buttonhole lever guide
30	000103808	Setscrew 3x5
31	832206001	Presser foot sensor link
32	860211017	P foot sensor shielding plate
33	000161103	Setscrew 3x6 (B)
34	850034002	Threader guide
35	860212007	P foot shielding plate spring
36	852502600	Printed circuit board G1 (unit)
37	853028002	Insulation paper
38	860514002	Printed circuit board G1 (unit)
39	860097004	Insulation paper
40	000081005	Setscrew 4x8
41	832566035	Presser foot actuator arm(unit)
42	000014605	Grip ring6
43	000001609	Snap ring E5
44	000061205	Nut 4-3-7
45	000115629	Setscrew TP 4x8
46	830039027	Arm thread guide
47	860096003	P foot sensor set plate
48	834131000	Pressure adjusting dial spring
49	834132001	Washer

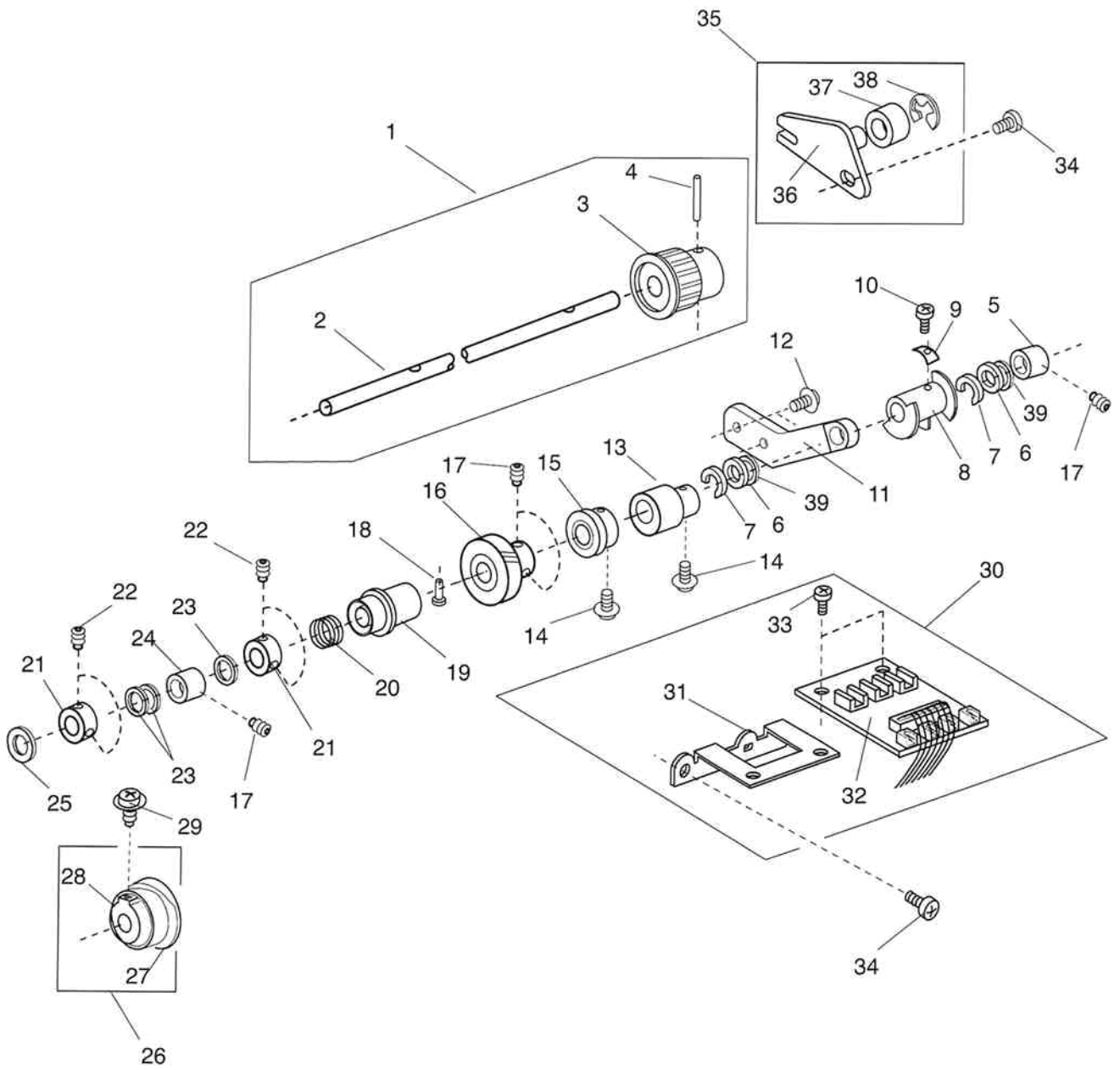
PARTS LIST



PARTS LIST

NO.	PART#	DESCRIPTION
1	860540007	Upper shaft (unit)
2	803079003	Timing belt
3	650071005	Timing belt
4	000002105	Snap ring E3
5	000110901	Hexagonal socket screw 5x4
6	000111706	Hexagonal socket screw 5x8
7	670079108	Upper shaft front bushing
8	000035901	Washer
9	658019009	Ring
10	000111304	Hexagonal socket screw 5x5
11	731312005	Felt
12	850662005	Needle bar crank (unit)
13	652143005	Needle bar crank pin
14	647139002	Needle bar crank pin cover
15	650039001	Needle bar crank rod
16	650040005	Felt
17	650041006	Spring
18	820511201	Thread take-up lever (unit)
19	650062003	Thread take-up lever pin
20	000001702	Snap ring E6
21	000111201	Hexagonal socket screw 4x4
22	846650007	Clutch base (unit)
23	846520007	Clutch base (unit)
24	846077004	Clutch base
25	846078005	Connecting block
26	000177607	Hexagonal socket screw 5x8
27	000111706	Hexagonal socket screw 5X8
28	846079006	Clutch spring
29	846191005	Washer
30	000030009	Snap ring E10
31	846189000	Clutch cam
32	846080000	Belt wheel
33	846082002	Ring
34	846081104	Handwheel
35	860606002	Clutch base plate (unit)
36	000081005	Setscrew 4x8
37	860607003	Solenoid set plate (unit)

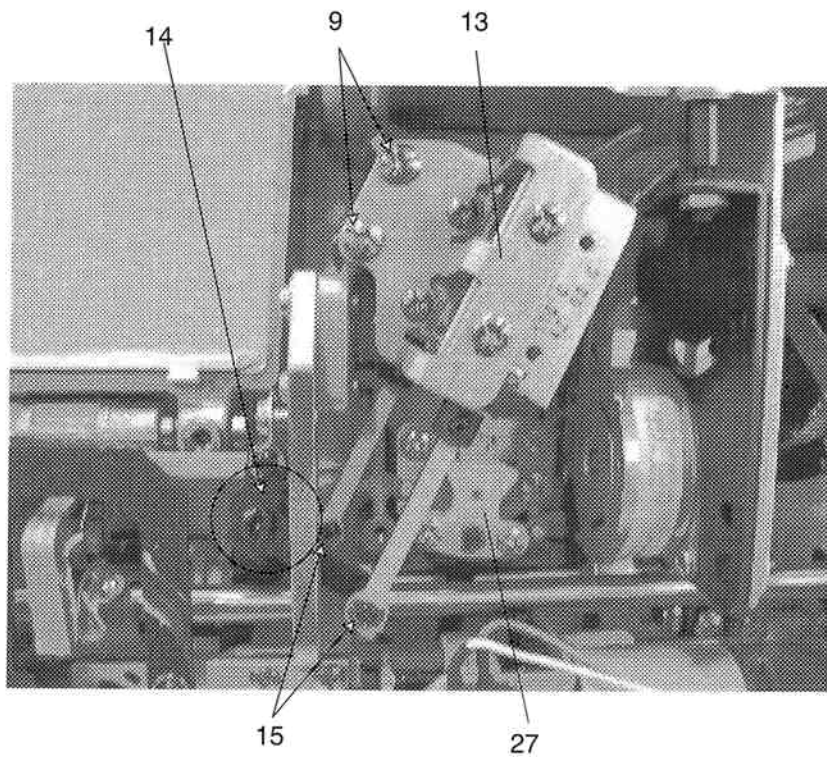
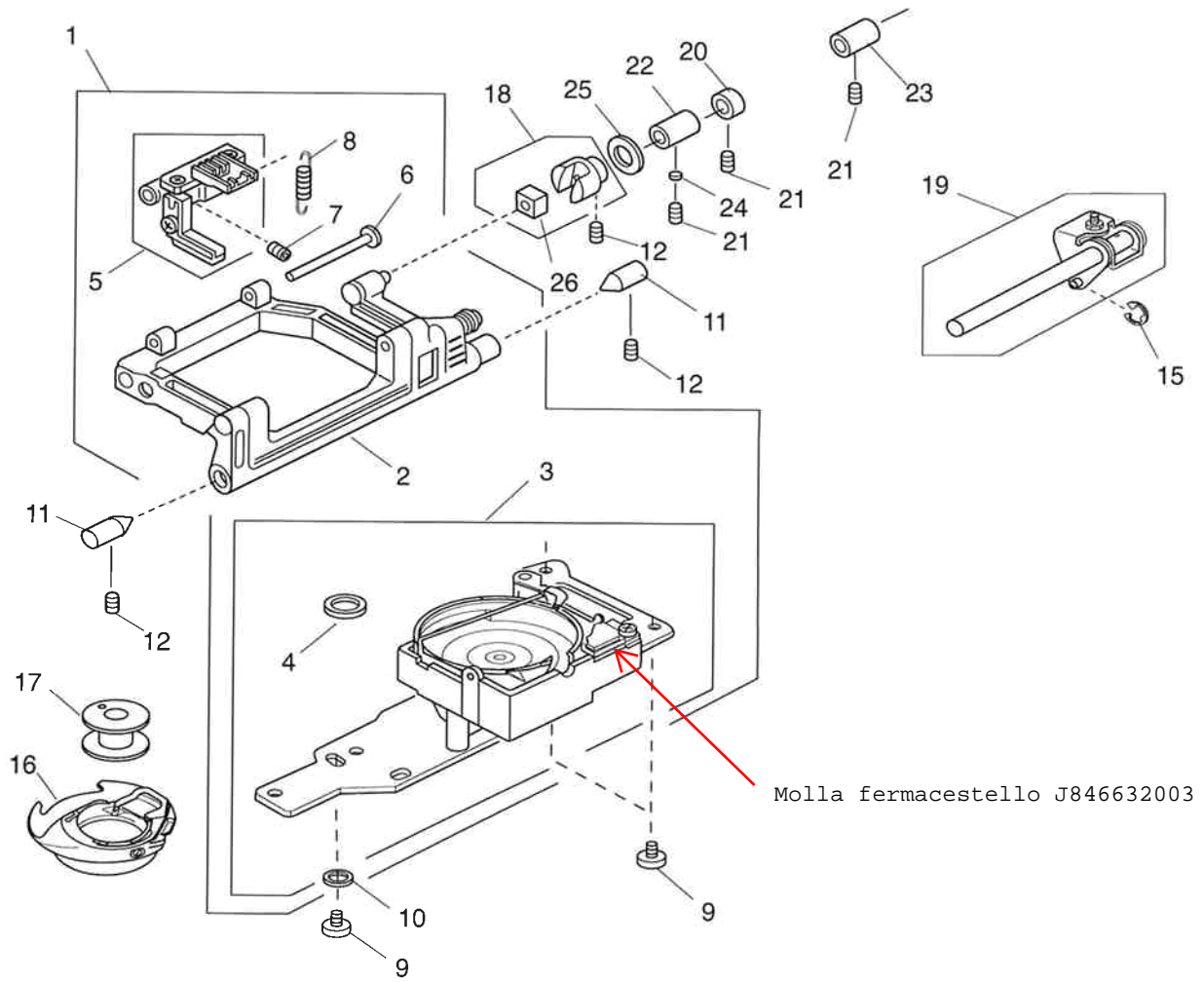
PARTS LIST



PARTS LIST

NO.	PART#	DESCRIPTION
1	860614003	Lower shaft (unit)
2	860029005	Lower shaft
3	PREFISSO "J" 650073007	Lower shaft gear
4	000004200	Knock pin 3x18
5	650079003	Lower shaft bushing (rear)
6	822070003	Felt (1)
7	822112008	Felt holder (1)
8	PREFISSO "J" 860098005	Lower shaft shielding plate
9	846192006	Washer
10	PREFISSO "J" 000080406	Setscrew 3x10
11	860030009	Lower shaft supporter
12	000114802	Setscrew TP 4x12
13	846205106	Feed cam
14	000149600	Setscrew 3x14
15	PREFISSO "J" 860031000	Lever cam
16	650076000	Lower shaft gear
17	000111304	Hexagonal socket screw 5x5
18	PREFISSO "J" 820161006	Feed lifting pin
19	846103000	Feed lifting cam
20	825093001	Feed lifting cam spring
21	820166001	Lower shaft ring
22	PREFISSO "J" 000111201	Hexagonal socket screw 4x4
23	000038502	Washer
24	650078002	Lower shaft bushing (front)
25	PREFISSO "J" 735143005	Felt
26	846626004	Cam (unit)
27	846105002	Cam (1)
28	846198002	Cam (2)
29	000114802	Setscrew TP 4x12
30	PREFISSO "J" 860615004	Lower shaft sensor (unit)
31	860032001	Sensor set plate
32	PREFISSO "J" 860508003	Printed circuit board P (unit)
33	000101105	Setscrew 3x4
34	000081005	Setscrew 4x8
35	860608004	Idler base (unit)
36	PREFISSO "J" 860021007	Idler base
37	625217100	Idler
38	000002806	Snap ring E6
39	000036201	Washer

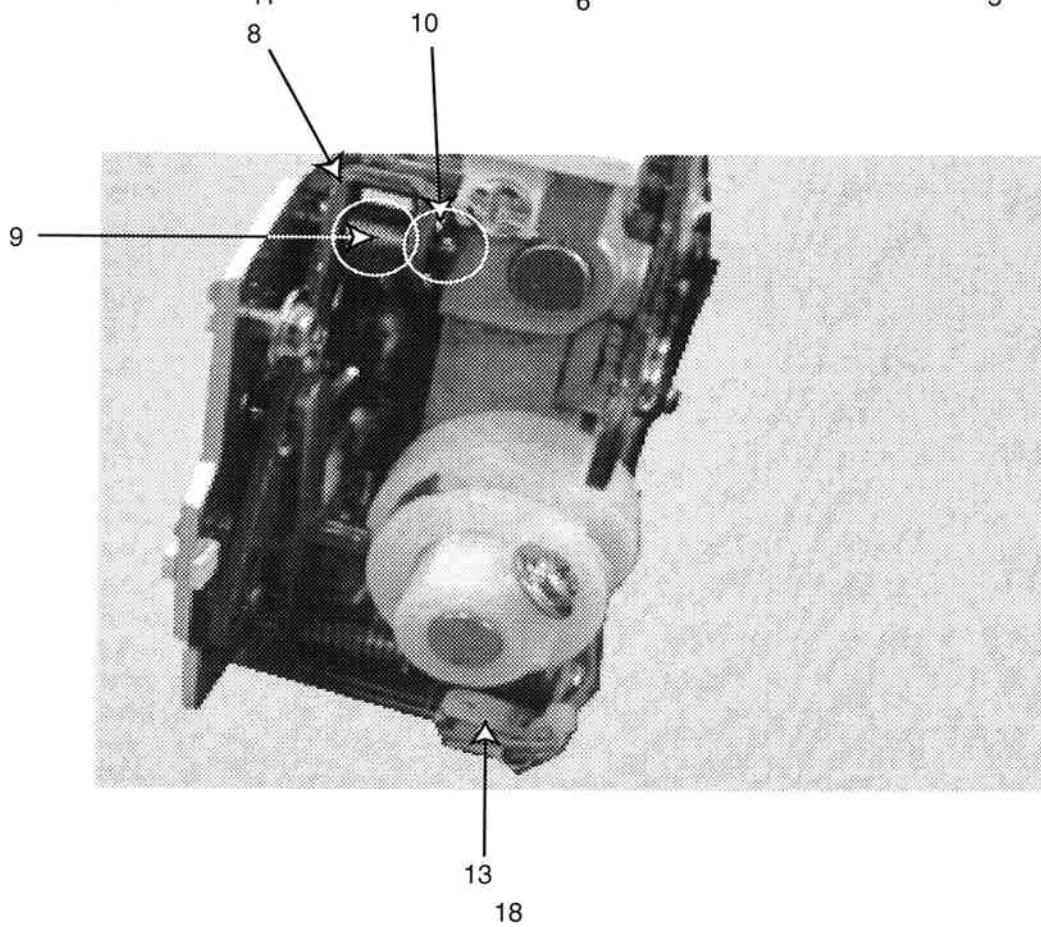
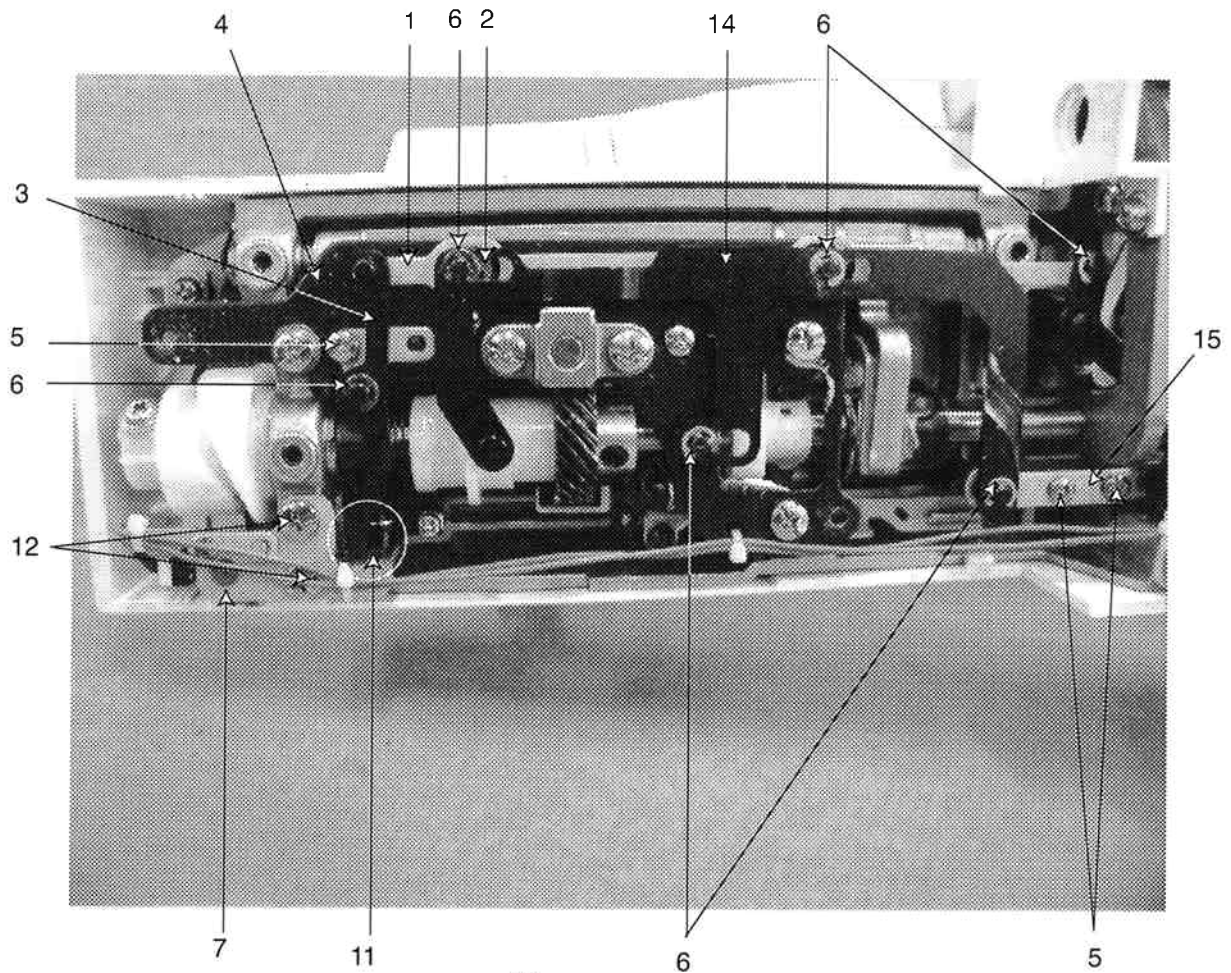
PARTS LIST



PARTS LIST

NO.	PART#	DESCRIPTION
1	860616016	Feed rock shaft (whole unit)
2	860651013	Feed rock shaft (unit)
3	860653026	Hook race (unit)
4	627190010	Magnet
5	860618007	Feed dog set base (unit)
6	825099007	Pin
7	000111407	Hexagonal socket screw 4x6
8	825103005	Feed base spring
9	000081005	Setscrew 4x8
10	000070506	Washer
11	738055008	Straight pin
12	000111304	Hexagonal socket screw 5x5
13	860619008	Solenoidset plate (unit)
14	860620002	Arm (unit)
15	000002105	Snap ring E3
16	846652102	Bobbin holder (unit)
17	102261103	Bobbin
18	625508008	Feed regulator (unit)
19	860603009	Feed shaft (unit)
20	820387000	Ring
21	000111201	Hexagonal socket screw 4x4
22	625144002	Feed shaft bushing (front)
23	650092002	Feed shaft bushing (rear)
24	650175000	Cushion
25	823110009	Felt
26	625134009	Block
27	860621003	Sensor set plate (unit)

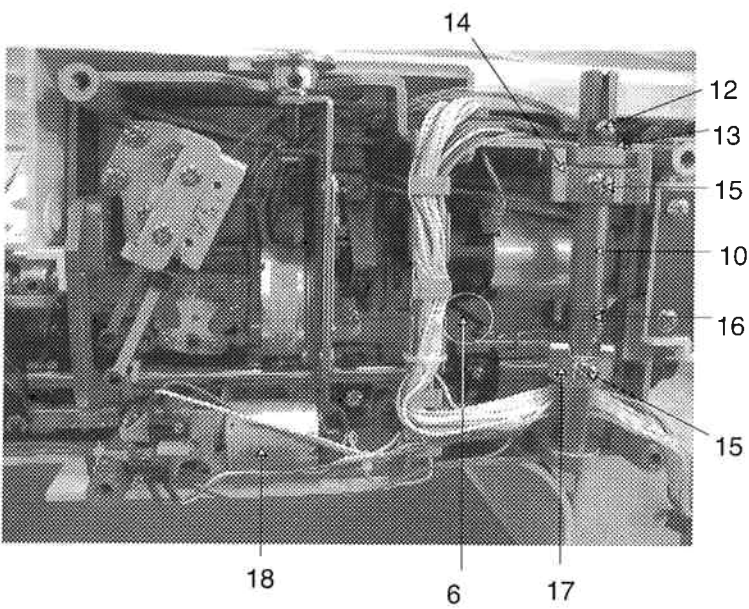
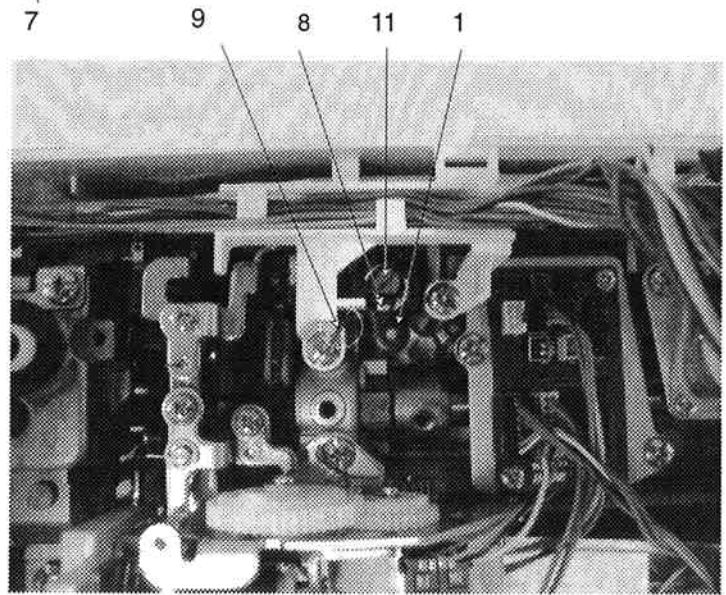
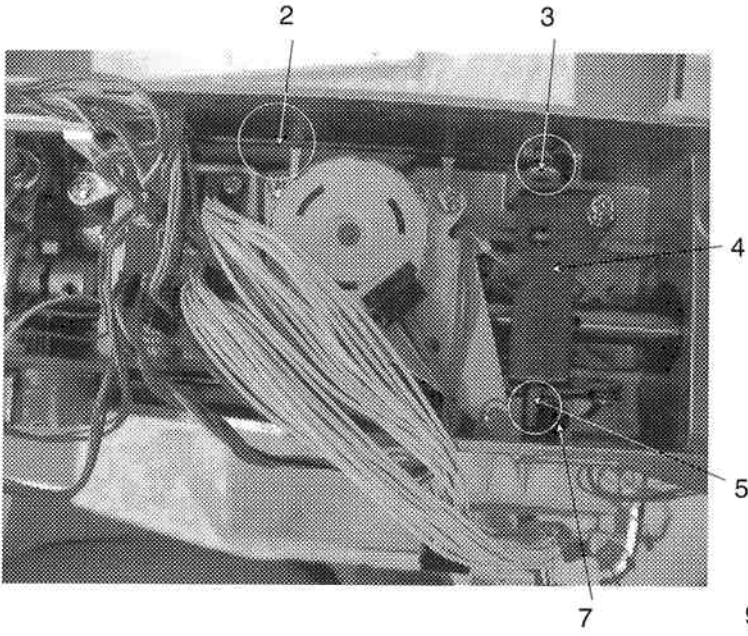
PARTS LIST



PARTS LIST

NO.	PART#	DESCRIPTION
1	860042004	Thread cutter starting rod
2	000001609	Snap ring E6
3	860043005	Thread cutter starting link
4	860044006	Starting link set plate
5	000101105	Setscrew 3x4
6	000002105	Snap ring E3
7	860045007	Feed arm shaft base
8	846233000	Feed arm (1)
9	846154006	Spring
10	000002507	Snap ring E4
11	860046008	Thread cutter starting lever
12	000081005	Setscrew 4x8
13	860624006	Thread cutter sensor (unit)
14	860201003	Drop feed lever plate
15	860209001	Drop link plate

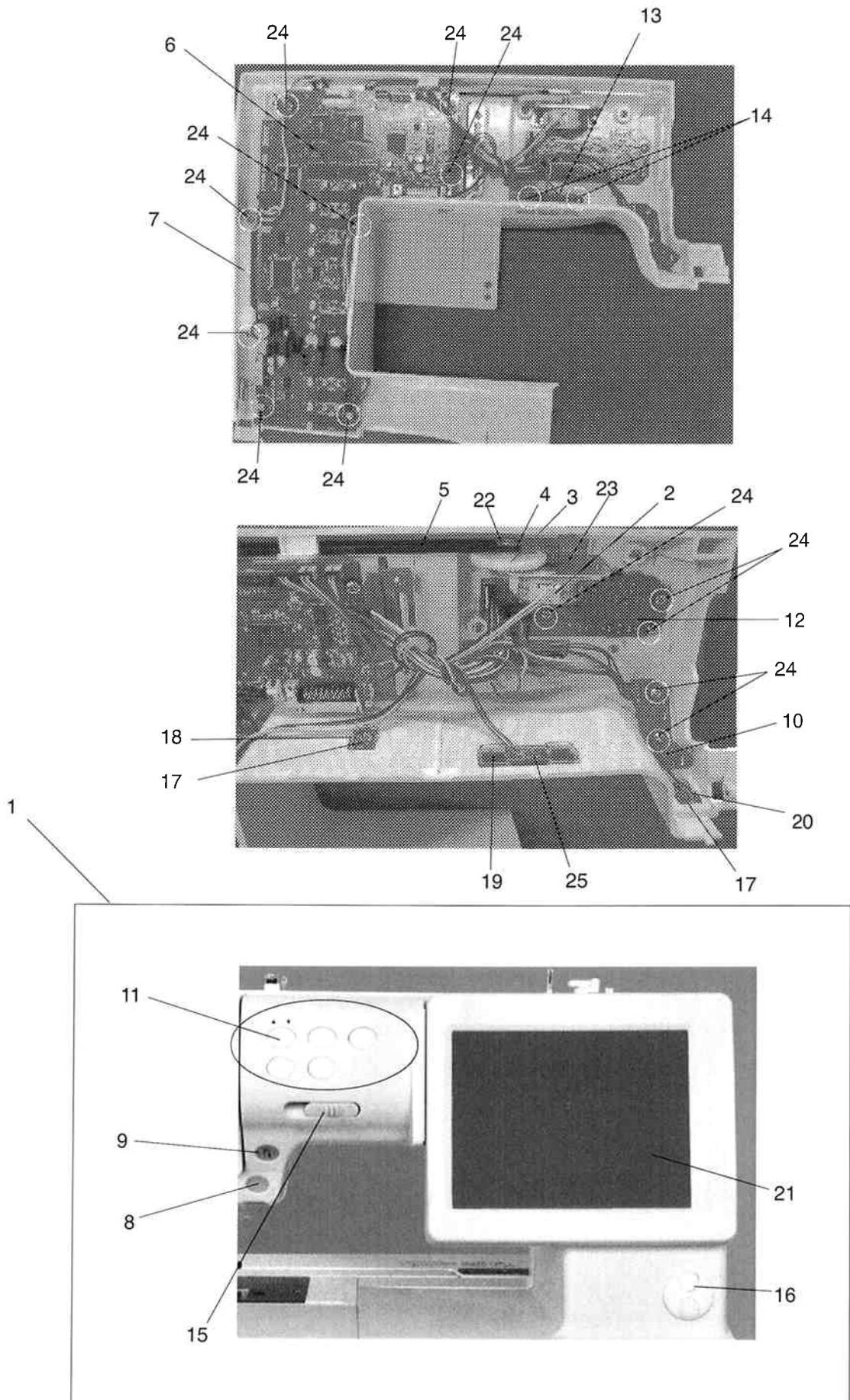
PARTS LIST



PARTS LIST

NO.	PART#	DESCRIPTION
1	860051006	Knee lifter link (1)
2	860052007	Knee lifter rod (1)
3	860053008	Knee lifter link (2)
4	860054009	Knee lifter link (3)
5	860055000	Knee lifter link shaft
6	860056001	Knee lifter rod (2)
7	000115629	Setscrew TP 4x8
8	000001609	Snap ring E5
9	832212000	Knee lifter link spring
10	860057002	Knee lifter shaft
11	832211009	Setscrew
12	000097406	Setscrew 3x3
13	000030009	Snap ring E10
14	860059004	Knee lifter stopper
15	000253701	Hexagonal TP setscrew 5x10
16	860060008	Spring
17	860061009	Knee lifter shaft arm
18	860626008	Drop feed base plate (unit)

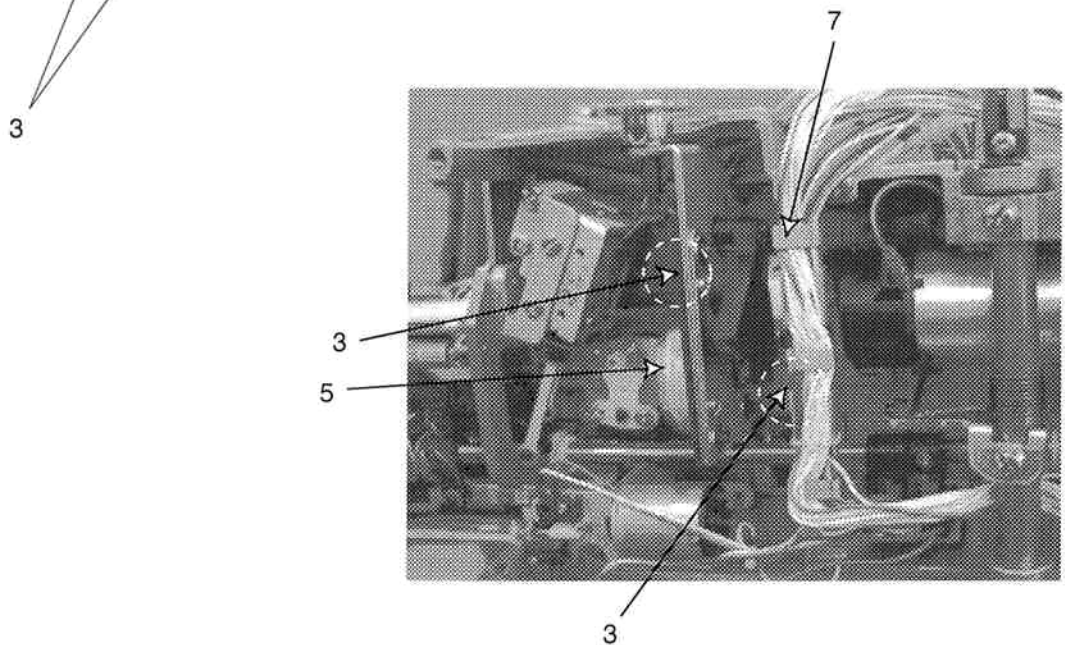
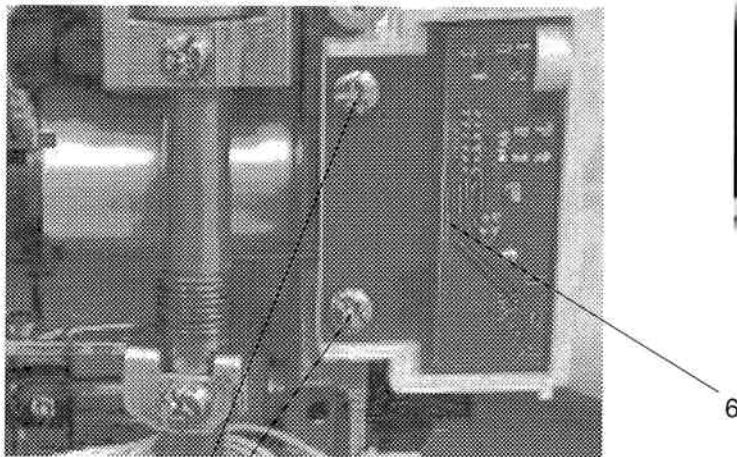
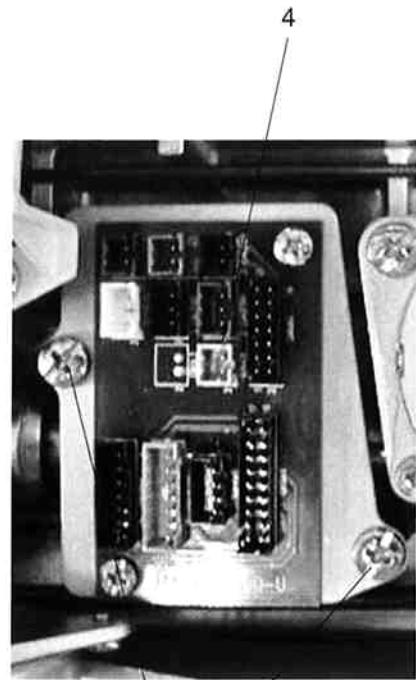
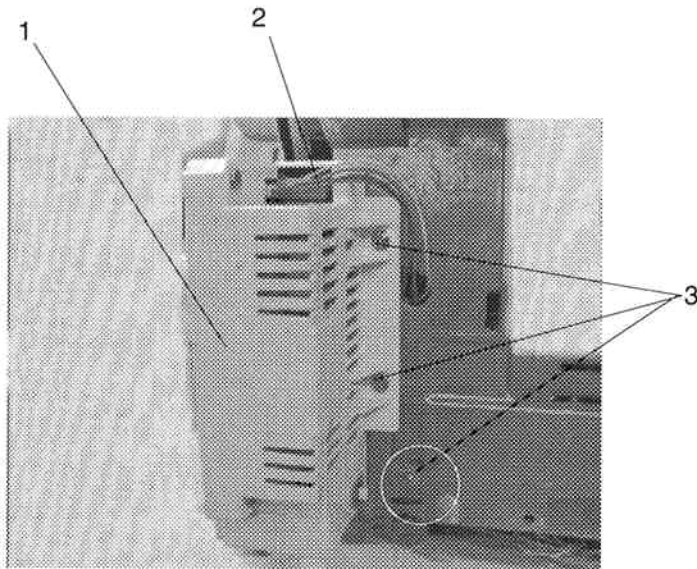
PARTS LIST



PARTS LIST

NO.	PART#	DESCRIPTION
1	860667403	Front cover (unit)
2	860555005	Stepping motor (unit)
3	860076007	Gear
4	832136009	Washer
5	850116009	Syncrobelt 290
6	860635000	Printed circuit board A (unit)
7	860078009	Card guide
8	860079309	S.S Button
9	860080200	Button 1
10	860503008	Printed circuit board F1 (unit)
11	860242202	Button 2
12	860504009	Printed circuit board F2 (unit)
13	653507602	Slide volume (unit)
14	000014306	Snap ring CS3
15	860244008	Slide volume
16	860243100	LCD up-down button
17	860167006	Lamp cover 2
18	860505000	Printed circuit board L1 (unit)
19	860166005	Lamp cover 1
20	860506001	Printed circuit board L2 (unit)
21	860669302	LCD (unit)
22	000002507	Snap ring E4
23	860245010	LCD motor set plate
24	000120203	Setscrew 3X8 (B)
25	860506104	Printed circuit board L2 (unit)

PARTS LIST

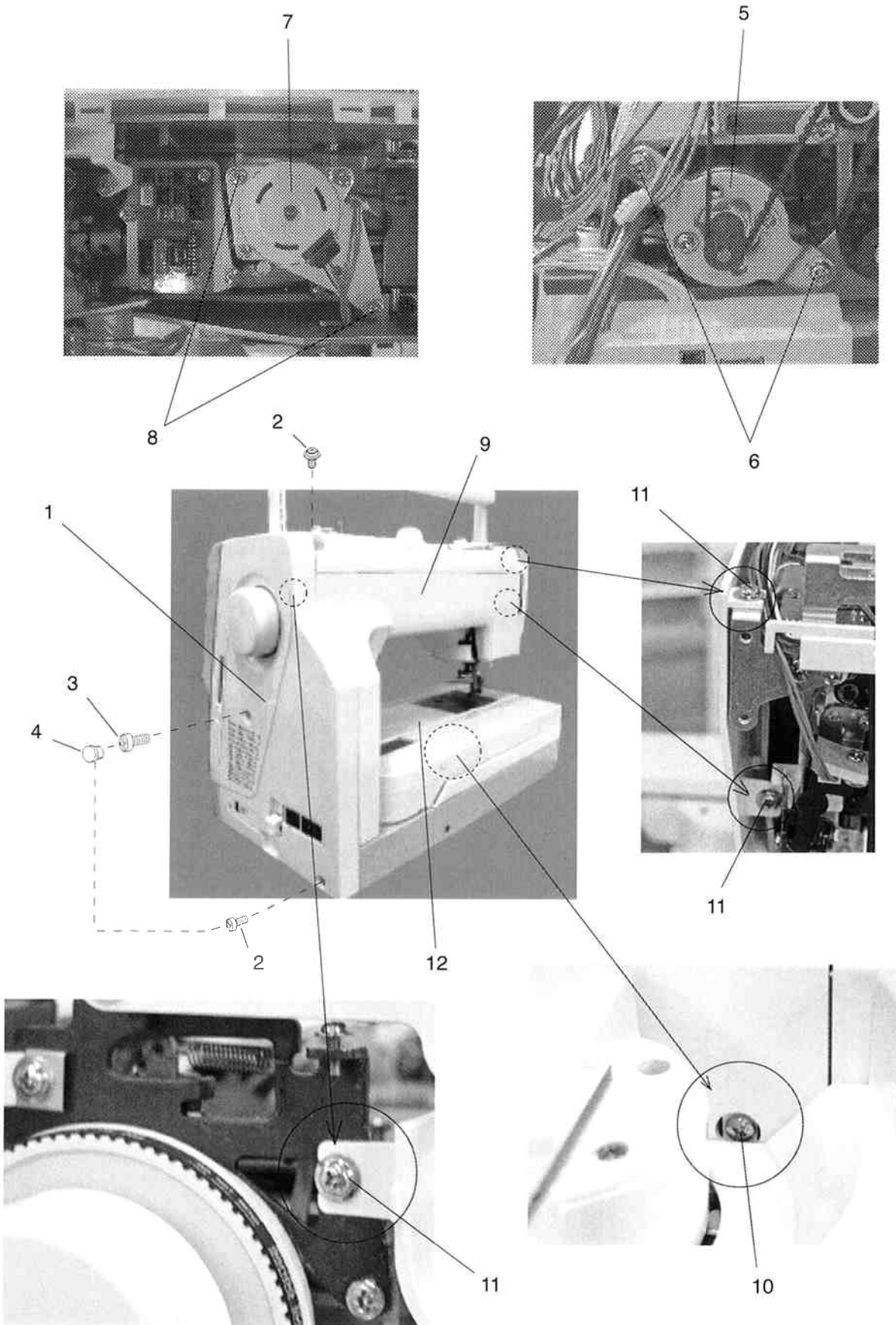


PARTS LIST

NO.	PART#	DESCRIPTION
1	860632007	Switching power supply (unit)
2	860556006	Power supply harness (unit)
3	000081005	Setscrew 4x8
4	860631006	Printed circuit board U (unit)
5	860604000	Feed motor (unit)
6	860658102	Printed circuit board B (unit)
7	860216001	Cord guide (lower)

PREFISSO "J"

PARTS LIST

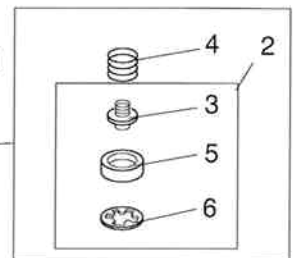
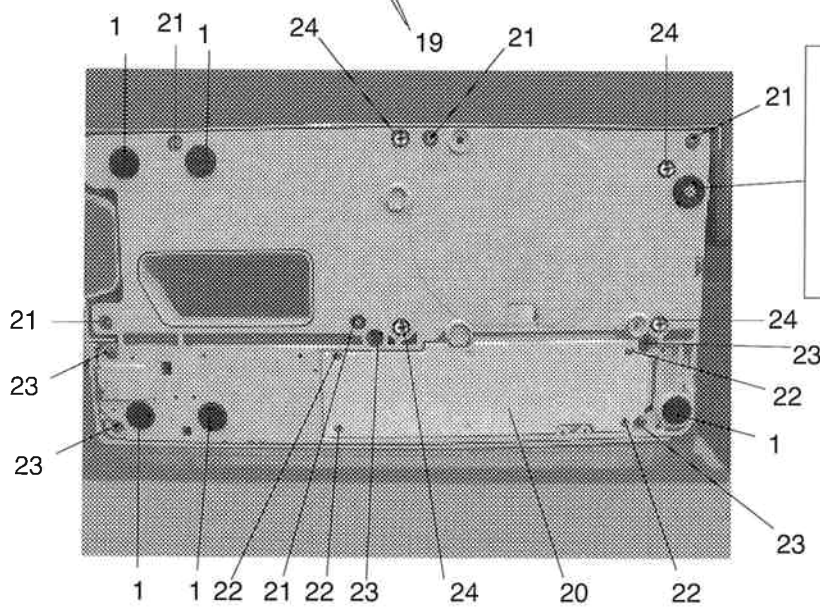
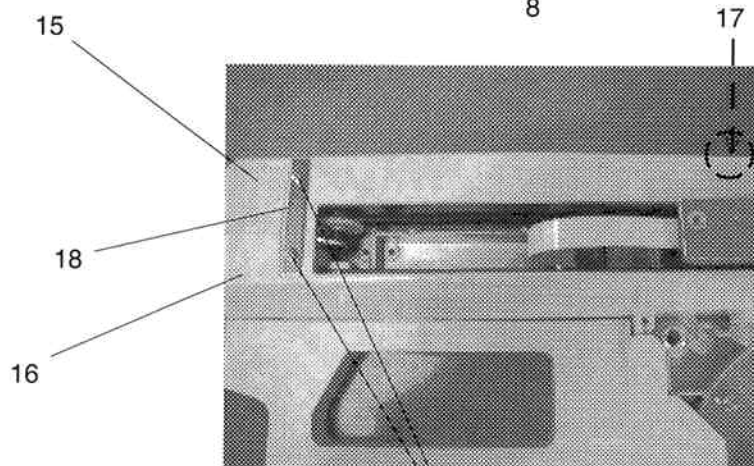
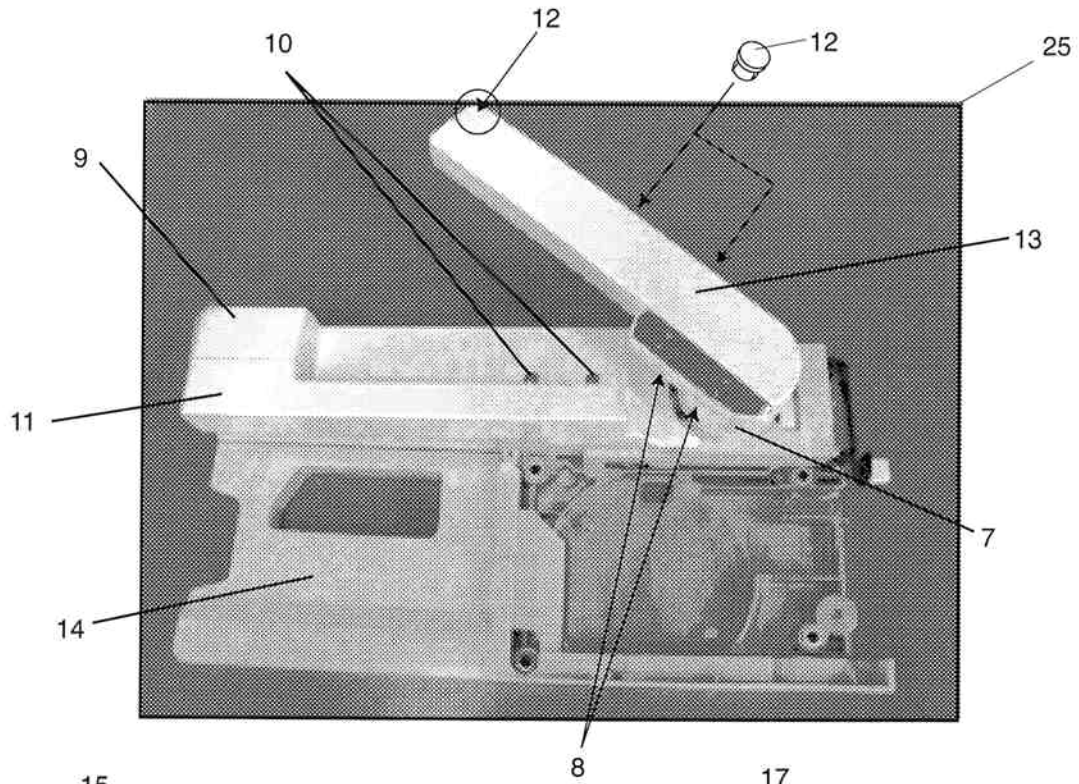


PARTS LIST

NO.	PART#	DESCRIPTION
1	860239309	Belt cover
2	000115009	Setscrew TP 3x8
3	000104108	Setscrew 4x20
4	653006101	Cap
5	860630005	Motor (unit)
6	000115607	Setscrew TP 4x8
7	860605001	Zigzag width motor (unit)
8	000101404	Setscrew 4x6
9	860085401	Rear cover
10	810220106	Setscrew
11	000115205	Setscrew TP 4x6
12	860022019	Free arm cover

PREFISSO "J"

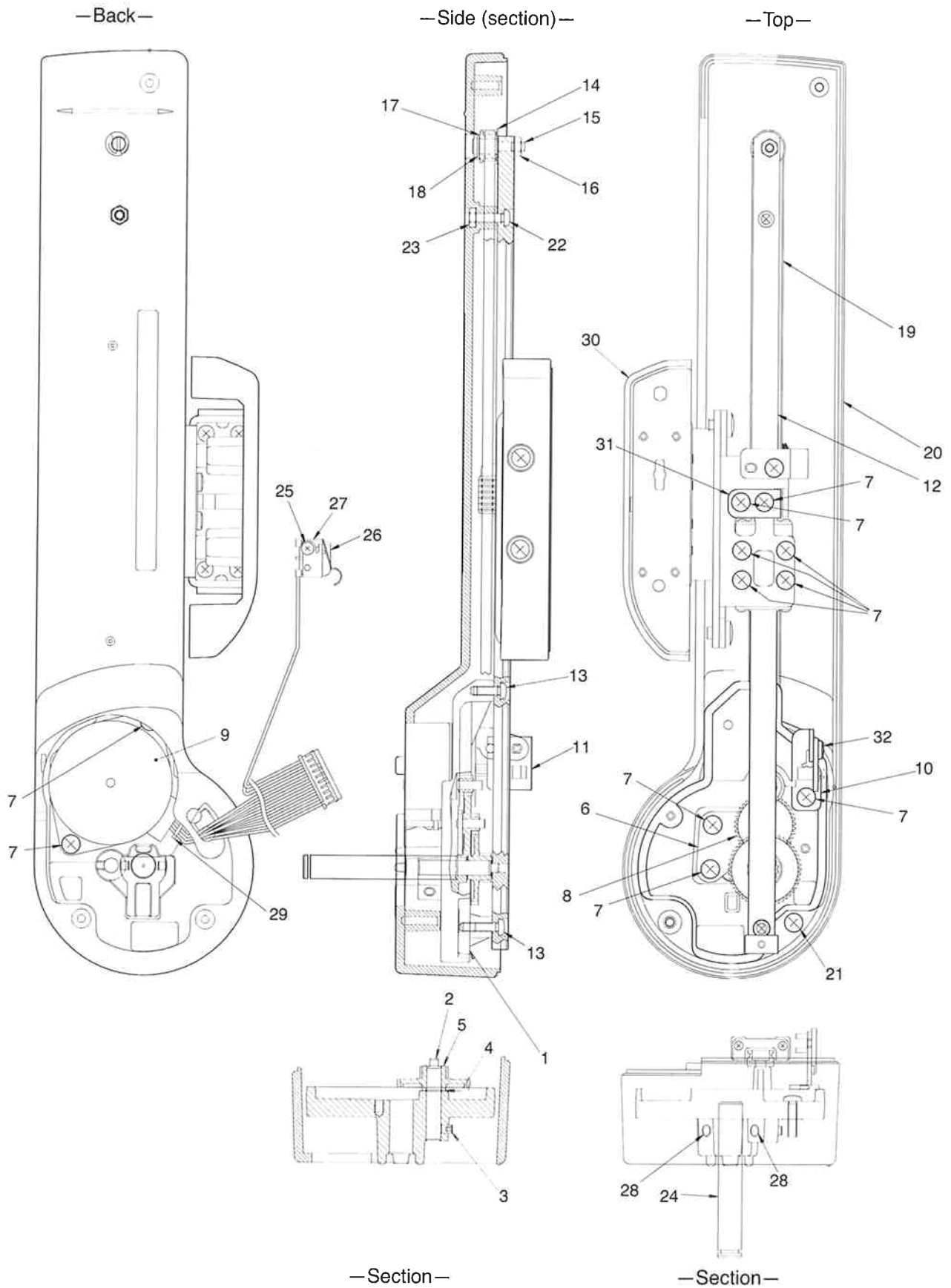
PARTS LIST



PARTS LIST

NO.	PART#	DESCRIPTION
1	830150003	Rubber foot
2	717618000	Adjusting screw (unit)
3	820350004	Adjusting screw
4	820351005	Spring
5	605074008	Rubber foot
6	813123004	Snap ring CS
7	860139009	Carriage cover
8	000066727	Setscrew 3x8
9	860152008	X Carriage cover
10	810220106	Setscrew
11	860157003	X Carriage cover
12	653006101	Cap
13	860643001	Carriage (unit)
14	860099202	Base cover
15	860150109	Embroidery base cover 1
16	860151100	Embroidery base cover 2
17	000101426	Setscrew 4x6
18	860193001	Carriage base plate
19	000120203	Setscrew 3x8 (B)
20	860143006	Film cover
21	000109309	Setscrew 3x10
22	000078319	Setscrew 3x6
23	000198604	Setscrew 4x14
24	000127705	Setscrew 6x20
25	860640204	Base (unit)

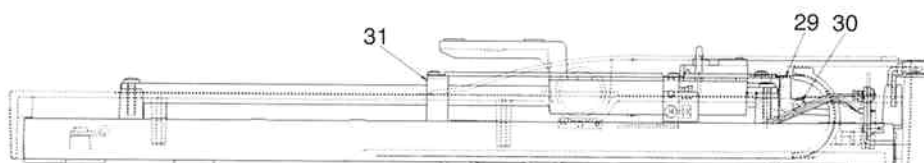
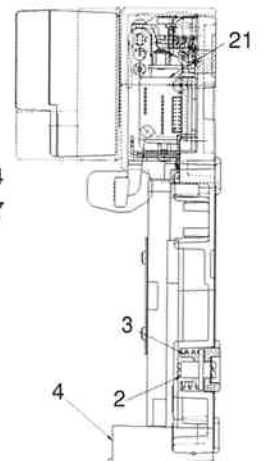
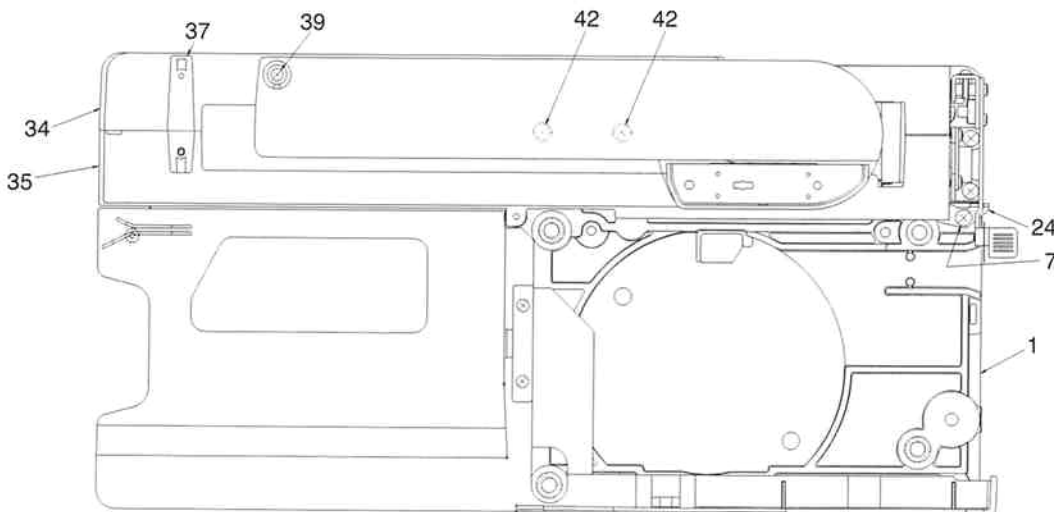
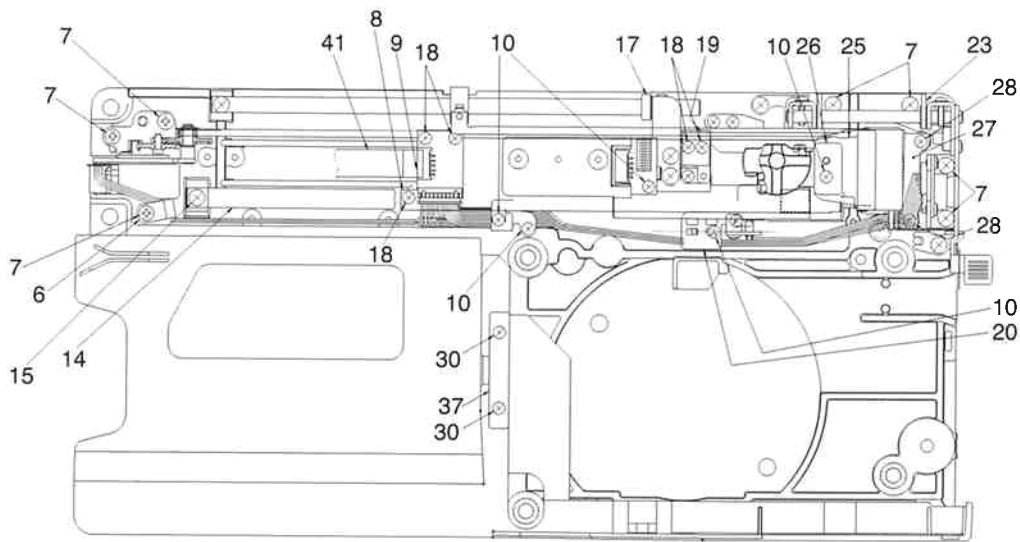
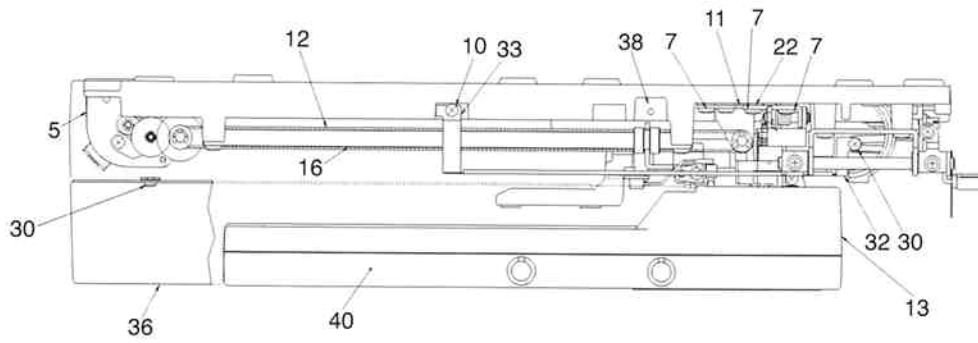
PARTS LIST



PARTS LIST

NO.	PART#	DESCRIPTION
1	860123000	Y-motor base plate
2	PREFISSO "J" 860137007	Gear shaft
3	000110406	Hexagonal socket screw 3x4
4	000036407	Trust washer
5	860109000	Gear
6	860122009	Gear base plate
7	PREFISSO "J" 000101105	Swrscrew 3x4
8	860110004	Gear
9	PREFISSO "J" 860554015	Motor (unit)
10	860127004	Y-sensor set plate
11	PREFISSO "J" 860515003	Printed circuit board G2 (unit)
12	860128005	LM guide
13	000068006	Setscrew 3x8
14	PREFISSO "J" 860189004	Washer
15	860135005	Pully shaft
16	000060802	Nut
17	PREFISSO "J" 832162004	Pulley
18	000002507	Snap ring E4
19	PREFISSO "J" 860133003	Syncro belt
20	860153009	Y-carriage cover
21	000161309	Setscrew 3x12
22	PREFISSO "J" 000100104	Setscrew 3x12
23	000063126	Nut
24	PREFISSO "J" 860124001	Y-carriage support shaft
25	000078700	Setscrew 2x8
26	860188003	Switch base plate
27	860543000	Microswitch (unit)
28	000111201	Hexagonal socket screw 4x4
29	PREFISSO "J" 000053606	Cord binder
30	860650001	Carriage base (unit)
31	860134015	Y-belt set plate
32	000097406	Setscrew 3x3

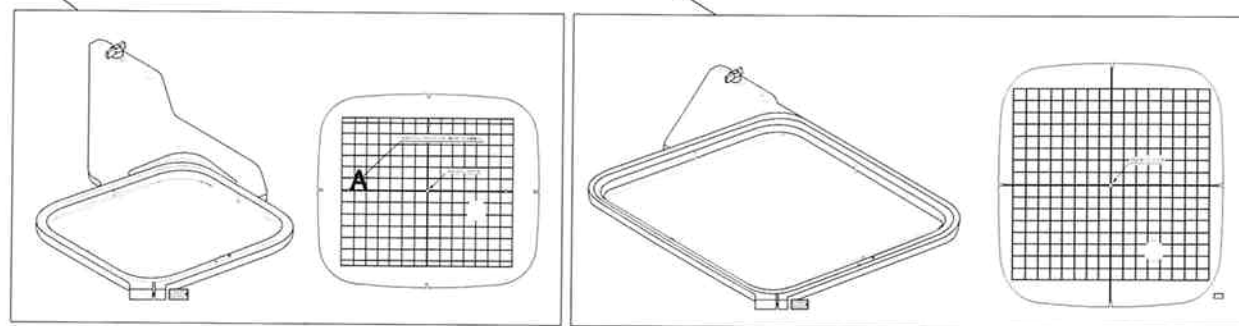
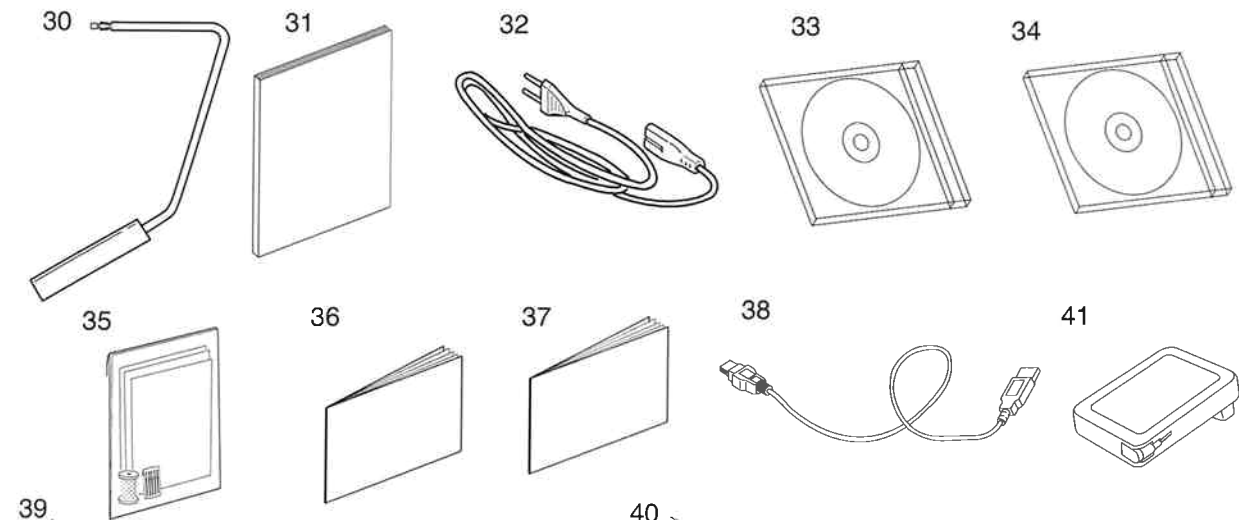
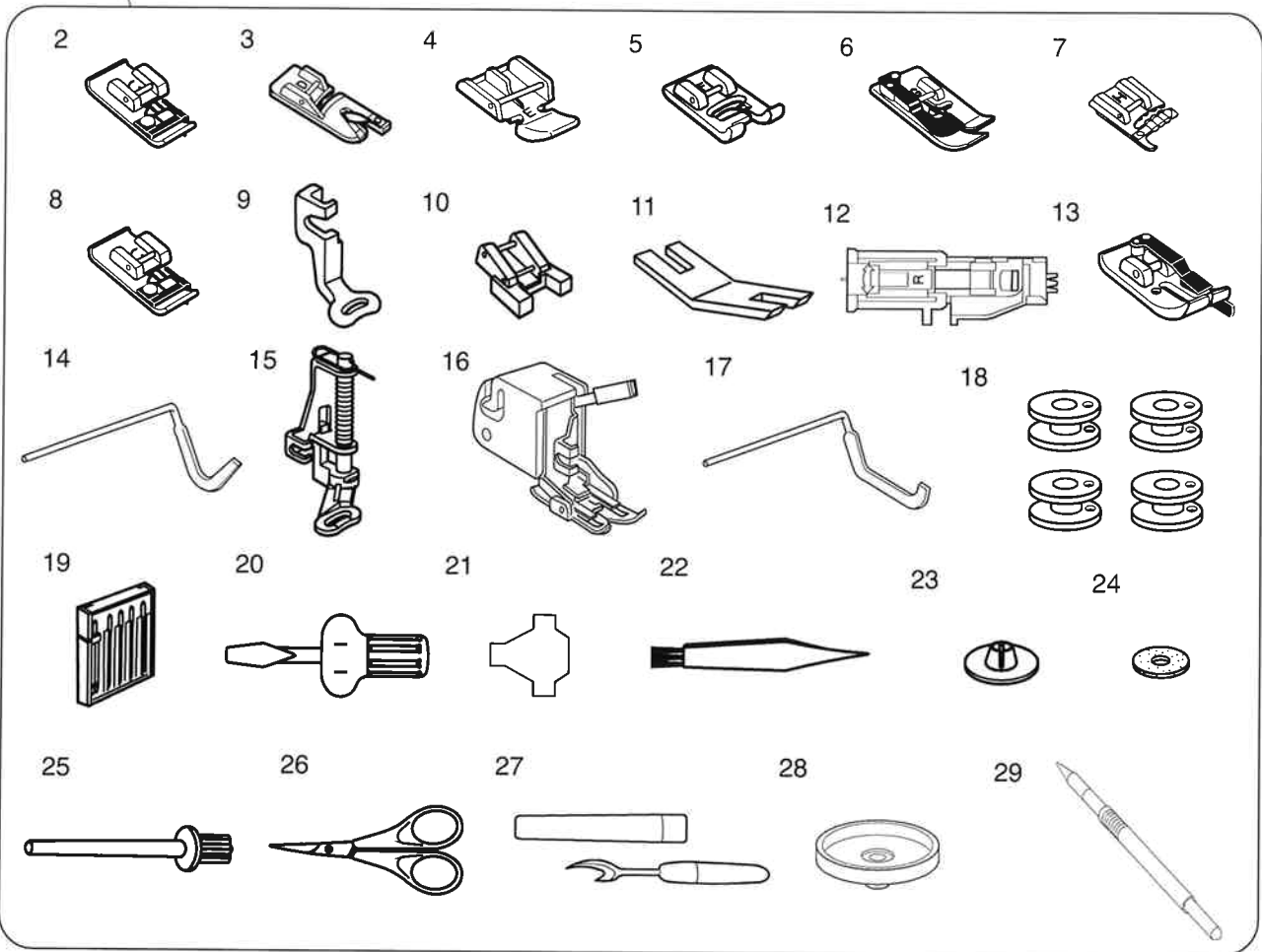
PARTS LIST



PARTS LIST

NO.	PART#	DESCRIPTION
1	860101105	Base
2	717618000	Adjusting screw (unit)
3	820351005	Adjusting screw spring
4	860099202	Base cover
5	860641009	X-motor (unit)
6	000126003	Nylon clip
7	810220106	Setscrew
8	860510008	Printed circuit board S2 (unit)
9	860221009	Insulation paper
10	000101105	Setscrew 3x4
11	860642000	X-pulley (unit)
12	860112006	Syncro belt
13	860643001	Carriage (unit)
14	860103004	X-guide shaft (upper)
15	000101817	Setscrew 4x16
16	860104005	X-guide shaft (lower)
17	860105006	Xshaft ring
18	000078319	Setscrew 3x6
19	860113007	X-belt set plate
20	860646004	X-sensor (unit)
21	860647005	Circuit board S1
22	860648006	Release lever base (unit)
23	860649007	Release driving arm
24	860217002	Guide plate
25	860138008	Film
26	860190008	Film holder
27	860140003	Film guide 1
28	000080406	Setscrew 3x10
29	860141004	Film guide 2
30	000120203	Setscrew 3x8
31	860177009	Film guide supporter plate 1
32	860142005	Film guide 3
33	860191009	Film guide supporter plate 2
34	860150109	Embroiderybase cover 1
35	860151100	Embroiderybase cover 2
36	860655006	X-carriage cover (unit)
37	860193001	Carriage base plate
38	000101426	Setscrew 4x6
39	000161206	Setscrew 3x10
40	860154000	Y-carriage cover lid
41	860528009	Flexible cabel (unit)
42	000103417	Setscrew 4x8

PARTS LIST



PARTS LIST

NO.	PART#	DESCRIPTION
1	860871103	Standard accessories (unit)
2	822801001	Overcast foot
3	820809014	Hemmer foot
4	829801002	Zipper foot
5	822804118	Satin stitch foot
6	825817009	Blind hem foot
7	820819006	Cording foot
8	822808008	Overedge foot
9	830810042	Embroidery foot P
10	802406011	Button foot
11	832820007	Button shank plate
12	753801118	BH foot
13	200008004	1/4" seam foot
14	802422002	Quilting bar
15	830856006	Darning foot
16	214507001	Walking foot (even foot)
17	214015007	Quilting bar
18	102261103	Bobbin
19	832832002	Needle case (unit)
20	820832005	Screwdriver (large)
21	653802002	Screwdriver
22	802424004	Lint brush
23	822019509	Spool holder (small)
24	102403109	Felt
25	625031500	Additional spool pin
26	822814007	Scissors
27	560406104	Seam ripper (buttonhole opener)
28	829803004	Spool stand
29	860194002	Touchpanel stylus
30	846811008	Knee lifter
31	860880105	Instruction book
32	830335004	Power supply cord
33	860830007	Instructional CD (unit)
34	860837004	CD-ROM for PC (unit)
35	860833000	Starter kit (unit)
36	860879400	Manual
37	860882107	Quick reference chart
38	850403006	USB cable
39	860802000	Hoop ST (unit)
40	860801009	Hoop SQ (unit)
41	043271133	Foot controller