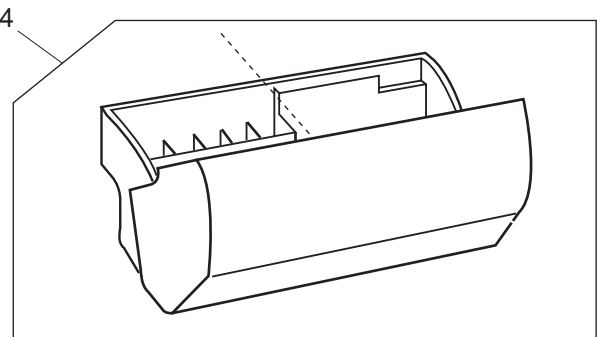
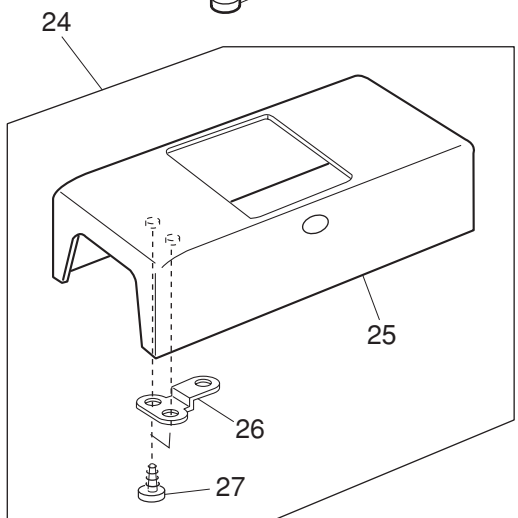
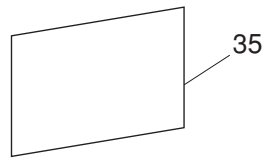
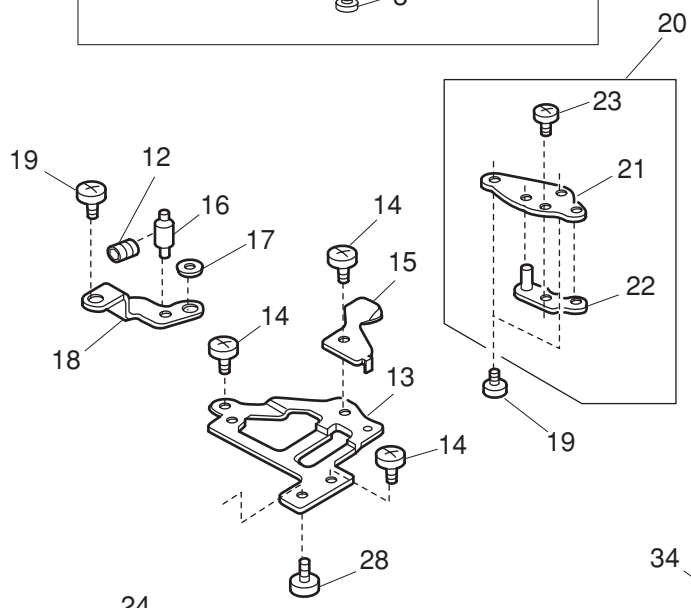
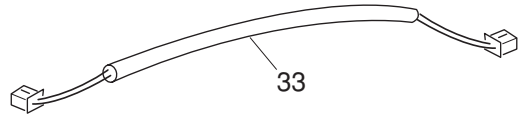
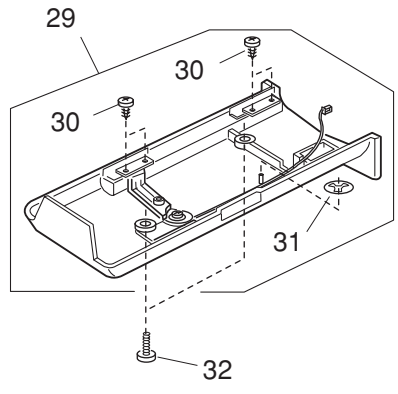
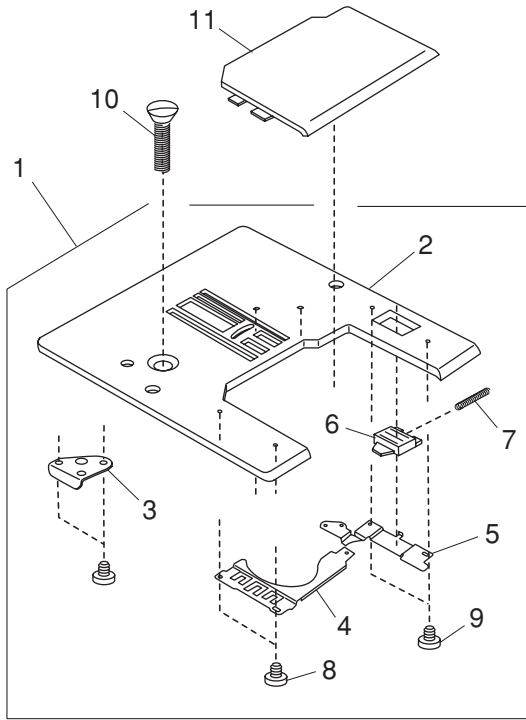
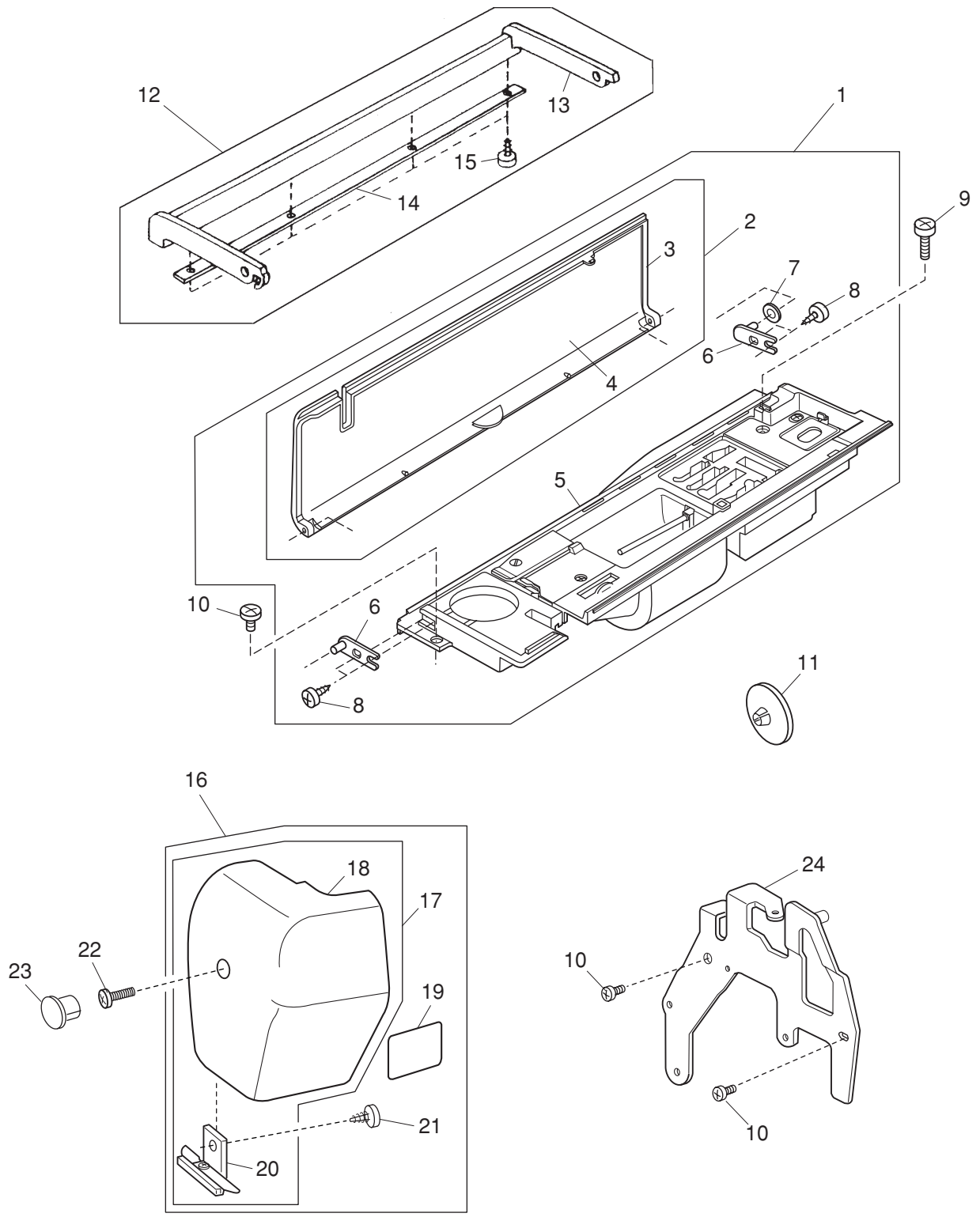


PARTS LIST

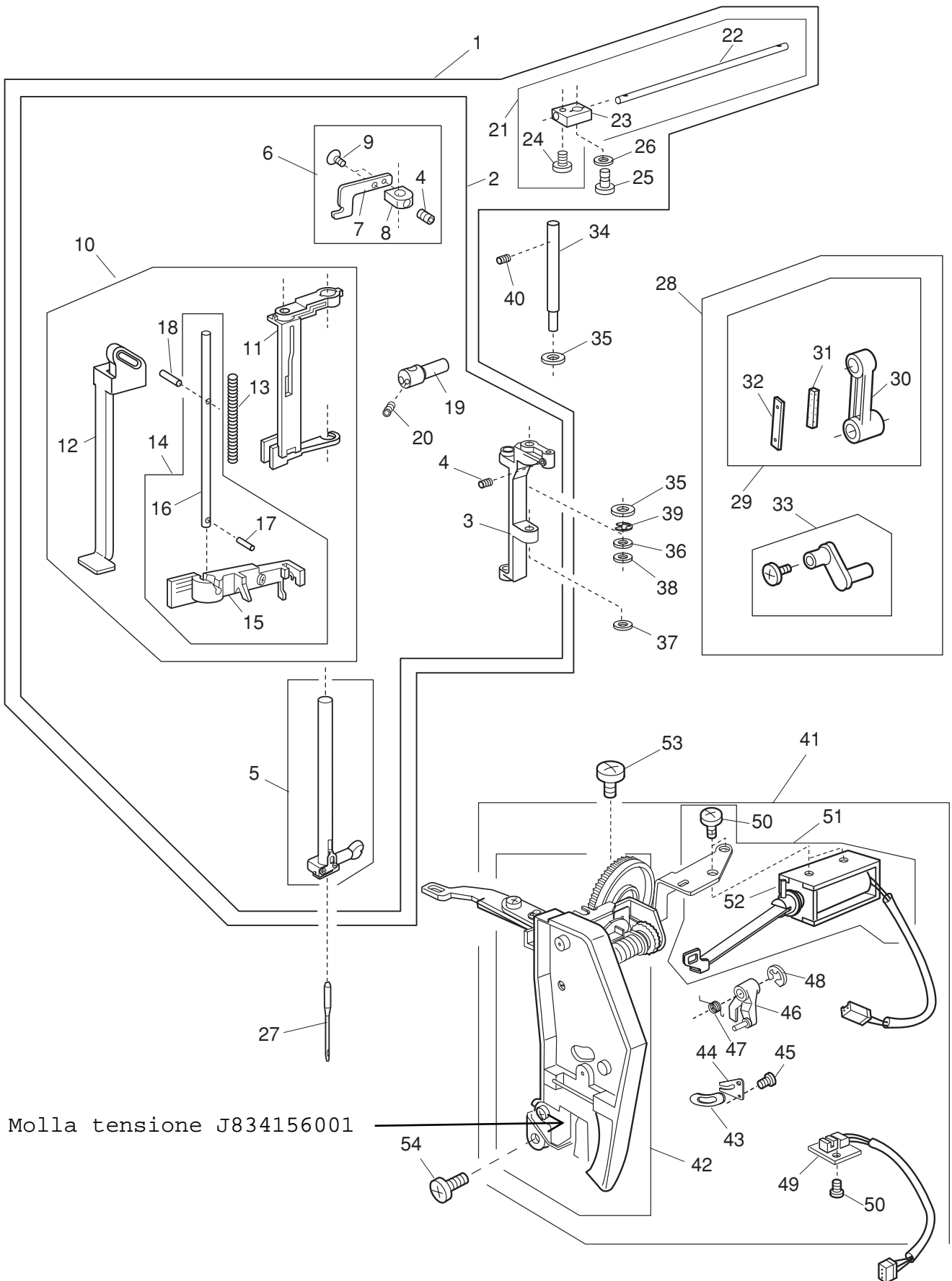
Model: 8600



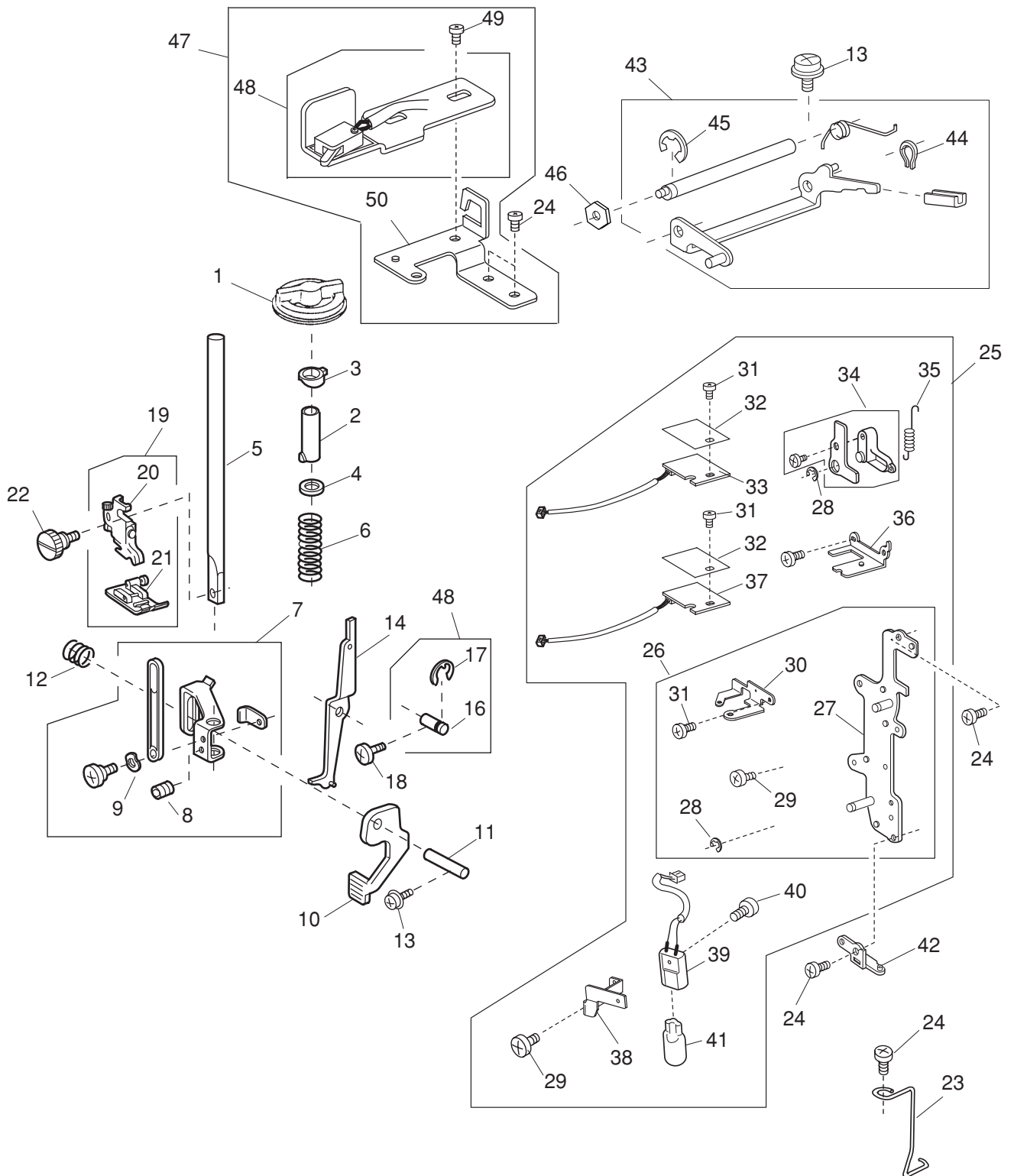
NO.	Parts Number	Name
1	853615013	Needle plate (unit)
2	851075008	Needle plate
3	857043005	Rotation stopper
4	832235010	Hook cover plate holder (left)
5	832012019	Hook cover plate holder (right)
6	825016000	Hook cover plate release button
7	825017001	Hook cover plate holder spring
8	000096900	Setscrew 2x3.5
9	000169709	Setscrew 2x2.3
10	820390109	Setscrew
11	750036012	Hook cover plate
12	000111201	Setscrew 4x4
13	832165007	Stopper plate
14	810220106	Setscrew
15	832181009	Bobbin holder stopper
16	832013009	Needle plate position adjusting pin
17	822314002	Nut
18	832014000	Needle plate nut holder
19	000101404	Setscrew 4x6
20	825605013	Needle plate set plate (right) (unit)
21	825021019	Needle plate set plate (right)
22	825022009	Needle plate position adjusting plate
23	000101105	Setscrew 3x4
24	852601208	Free arm cover (unit)
25	852021208	Free arm cover
26	832003006	Cover fixing plate
27	000120203	Setscrew 3x8
28	000103705	Setscrew 4x5
29	851501019	Bed cover (unit)
30	000162805	Setscrew 2x6
31	000014306	Snap ring 3
32	000103509	Setscrew 4x10
33	830545009	Board connecting wire
34	857505000	Extension table (unit)
35	852004010	Caution card



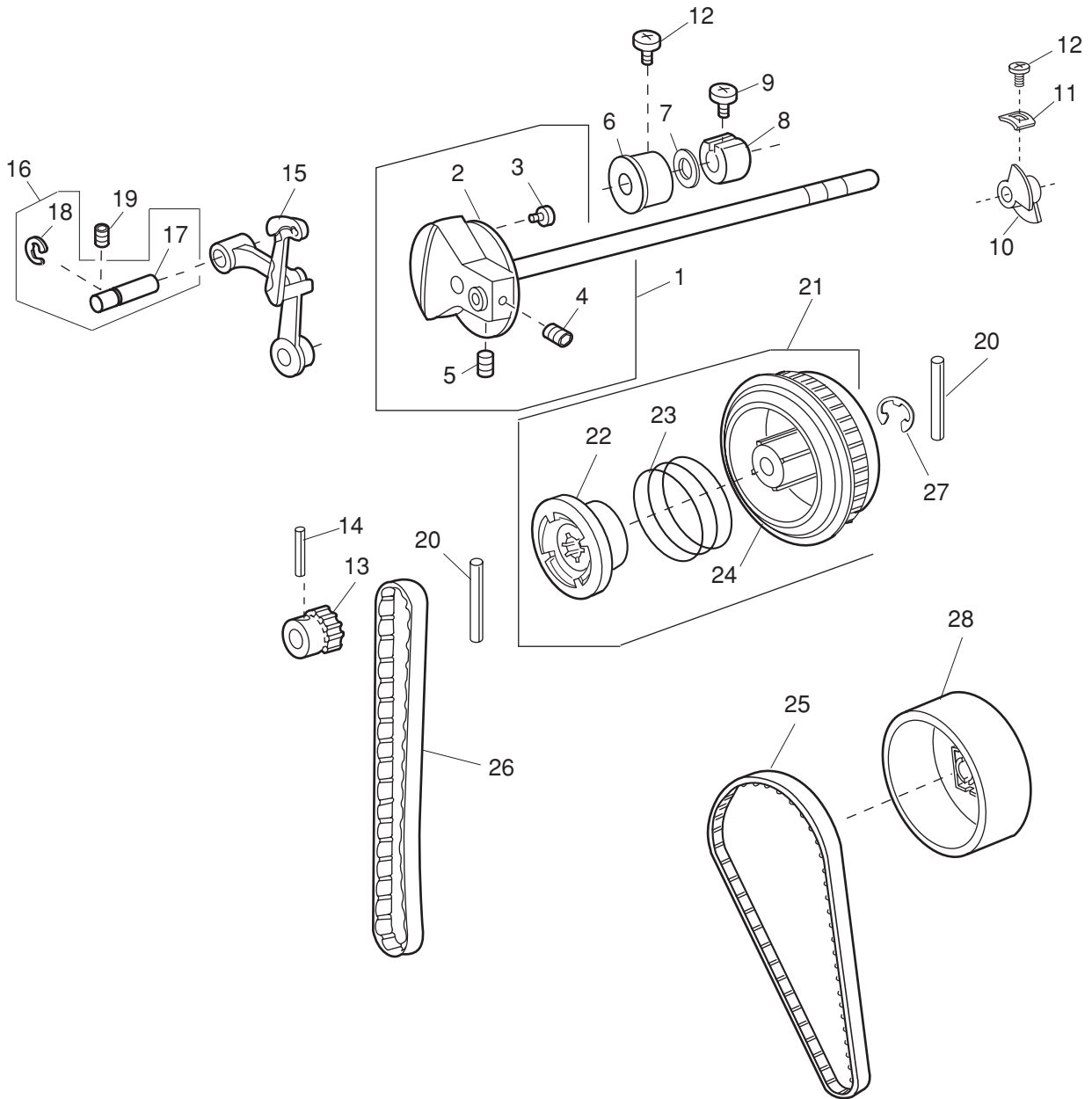
NO.	Parts Number	Name
1	853601614	Top cover (unit)
2	853602615	Top cover (unit)
3	853005003	Top cover
4	857046008	Reference chart
5	853603203	Top cover compartment (unit)
6	830013003	Top cover hinge
7	830190005	Washer
8	000161103	Setscrew 3x6
9	000080901	Setscrew 4x25
10	000081005	Setscrew 4x8
11	822020503	Spool holder (Large)
12	850633030	Carrying handle (unit)
13	850009020	Carrying handle
14	850010013	Carrying handle supporter plate
15	000197809	Setscrew 3x10
16	857611608	Face plate (unit)
17	857612300	Face plate (unit)
18	852003405	Face plate
19	827099003	Reflecting sticker
20	832508006	Thread cutter (unit)
21	000161103	Setscrew 3x6
22	000103200	Setscrew 4x30
23	653006101	Cap
24	834014202	Front set plate



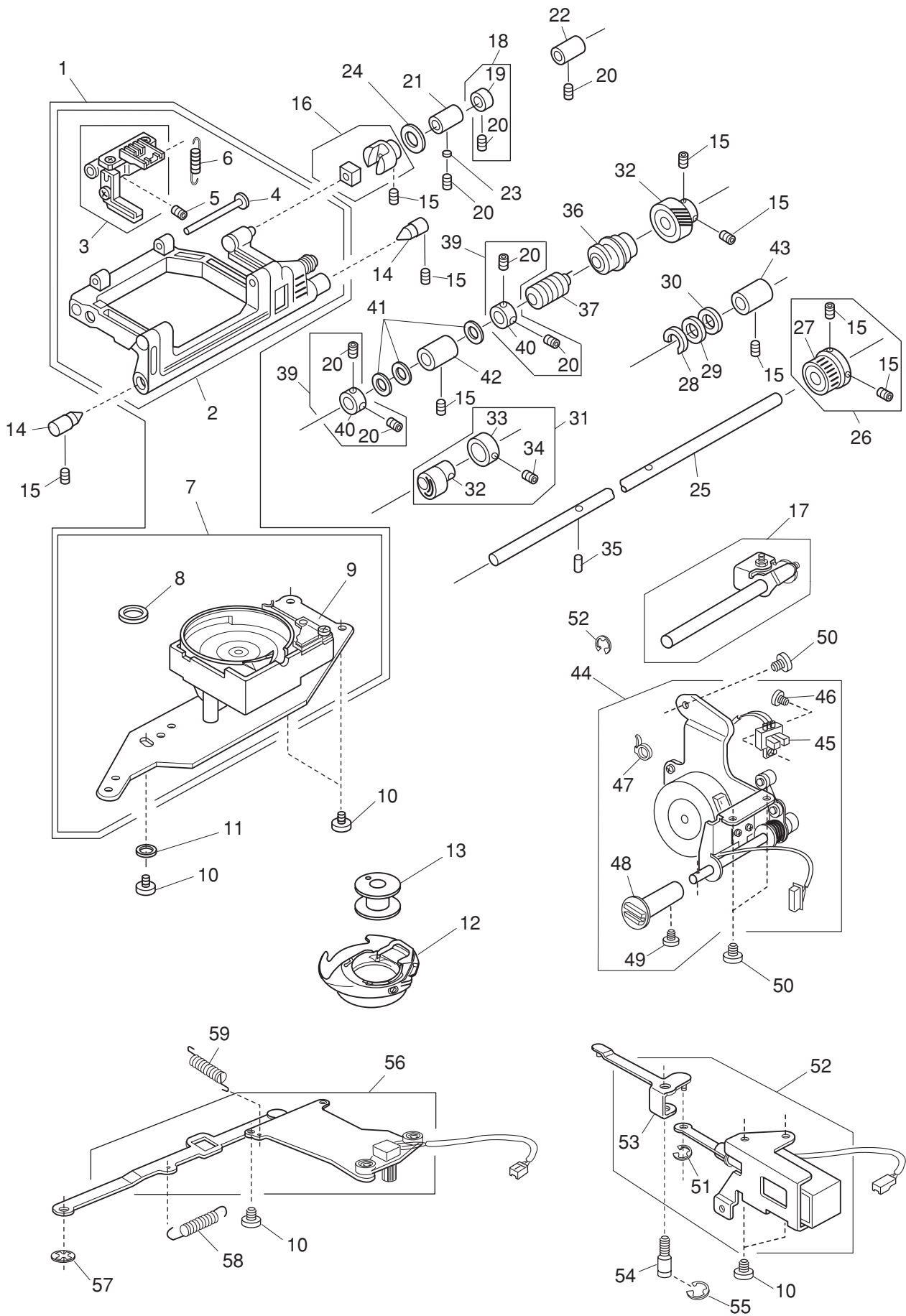
NO.	Parts Number	Name
1	853623003	Needle bar supporter (unit)
2	853508115	Needle bar supporter (unit)
3	831001012	Needle bar supporter
4	000111902	Setscrew 3x4
5	830609404	Needle bar (unit)
6	857602008	Needle threader setting plate (unit)
7	857037006	Needle threader setting plate
8	751016008	Needle threader setting block
9	000097602	Setscrew 2x4
10	853509138	Needle threader (unit)
11	755062001	Threader frame
12	853026011	Needle threader lever
13	755067006	Threader shaft spring
14	857603021	Needle threader shaft (unit)
15	857604022	Needle threader plate (unit)
16	755066005	Needle threader shaft
17	000003508	Spring pin 2x8
18	000125105	Pin
19	751047008	Needle bar connecting stud
20	000111201	Setscrew 4x4
21	850617005	Zigzag rod (unit)
22	850082005	Zigzag rod
23	823065008	Zigzag rod connecting stud
24	000115308	Setscrew 2x8
25	823066009	Pin
26	000116103	Washer
27	102408089	Needle HAX3N-14
28	850662005	Needle crank (unit)
29	650607006	Needle crank rod (unit)
30	650039001	Needle crank
31	650040005	Felt
32	650041006	Spring
33	652512009	Needle bar crank pin (unit)
34	823018006	Needle bar supporter shaft
35	822063003	Felt (2)
36	000036108	Washer
37	000036603	Washer
38	000116000	Washer
39	000001609	Snap ring 5
40	000111108	Setscrew 4x6
41	857613002	Thread tension (unit)
42	857506001	Thread tension (unit)
43	853037004	Cushion
44	834173004	Cushion holder
45	000161103	Setscrew 3x6
46	830660001	Thread detection lever (unit)
47	830049008	Detection lever spring
48	000001207	Snap ring 2.5
49	852502002	Photo interrupter (unit)
50	000101105	Setscrew 3x4
51	834604102	Solenoid (unit)
52	851516109	Solenoid (unit)
53	000081005	Setscrew 4x8
54	000101703	Setscrew 4x12



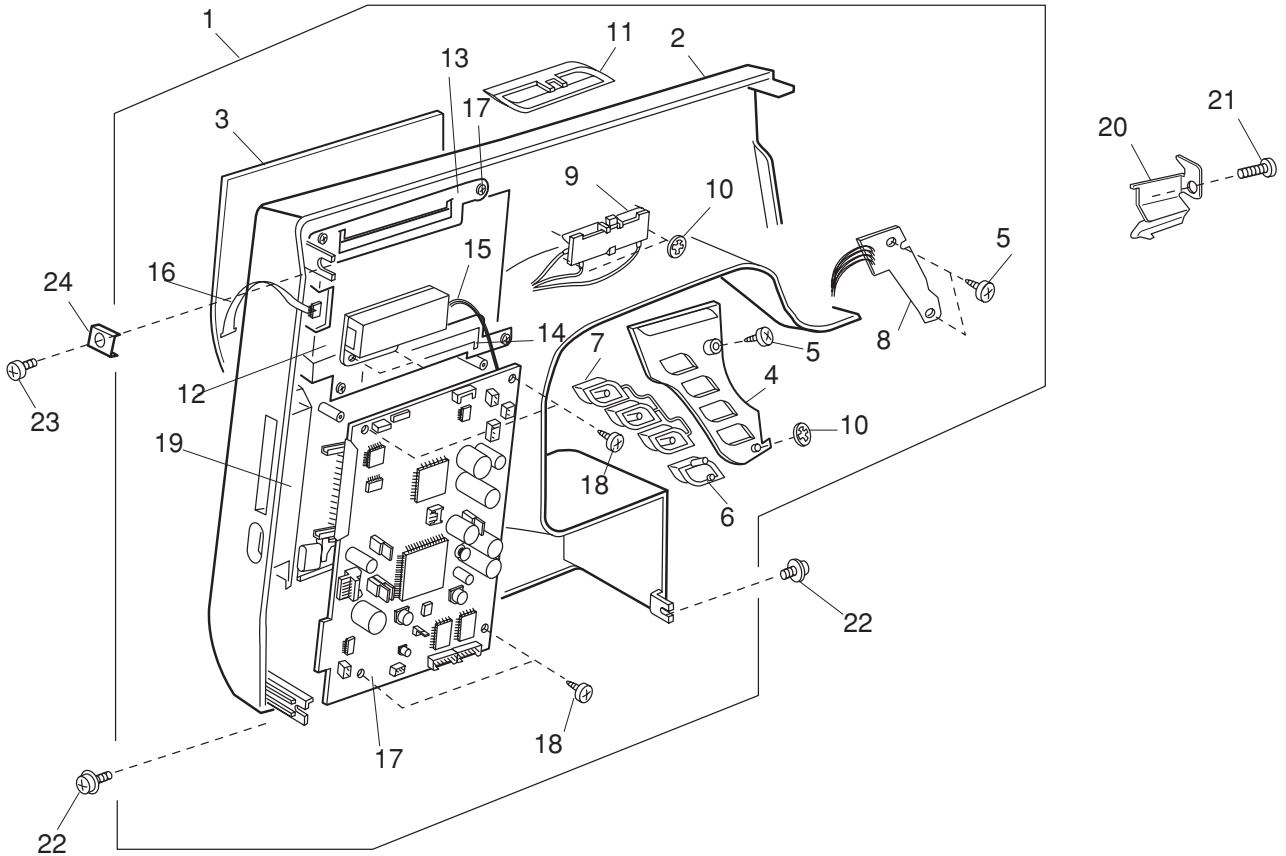
NO.	Parts Number	Name
1	830026010	Presser adjusting dial
2	830027000	Presser bar bushing
3	830028001	Presser adjusting cam
4	102061008	Washer
5	830029002	Presser bar
6	830030006	Presser bar spring
7	830586035	Presser bar supporter (unit)
8	000111500	Setscrew 4x8
9	000116608	Wave washer
10	830035115	Presser bar lifter
11	822072005	Presser bar lifter pin
12	102222009	Spring
13	000115629	Setscrew TP4x8
14	830037025	Tension releasing lever
15	850546002	Tension releasing lever pin (unit)
16	830338007	Tension releasing lever pin
17	000002507	Snap ring E-4
18	000081027	Setscrew 4x8
19	832501009	Presser foot (unit)
20	830504017	Presser foot holder (unit)
21	832523007	Zigzag foot (unit)
22	825252000	Setscrew
23	830039027	Arm thread guide
24	000081005	Setscrew 4x8
25	853605113	Front bracket (unit)
26	853618016	Front bracket (unit)
27	853025010	Front bracket
28	000002105	Snap ring 3
29	000103808	Setscrew 3x5
30	846044002	Sensor base plate
31	000101105	Setscrew 3x4
32	853028002	Insulating paper
33	852502105	Photo interrupter (unit)
34	832664207	Presser foot detector link (unit)
35	830277007	Presser foot shield spring
36	853027001	P foot sensor fixing plate
37	852502208	Photo interrupter (unit)
38	852039036	Lamp socket fixing plate
39	501509404	Lamp socket (unit)
40	000102900	Setscrew 2x8
41	000026002	Wedge base lamp 12V 5W
42	851045009	Threader guide plate
43	830585012	Presser bar actuator arm (unit)
44	000014605	Grip ring 6
45	000001609	Snap ring 5
46	000061205	Nut 4-3-7
47	853624004	Presser lifter switch (unit)
48	852621008	Presser lifter switch (unit)
49	000101404	Setscrew 4x6
50	853010001	Presser lifter switch fixing plate



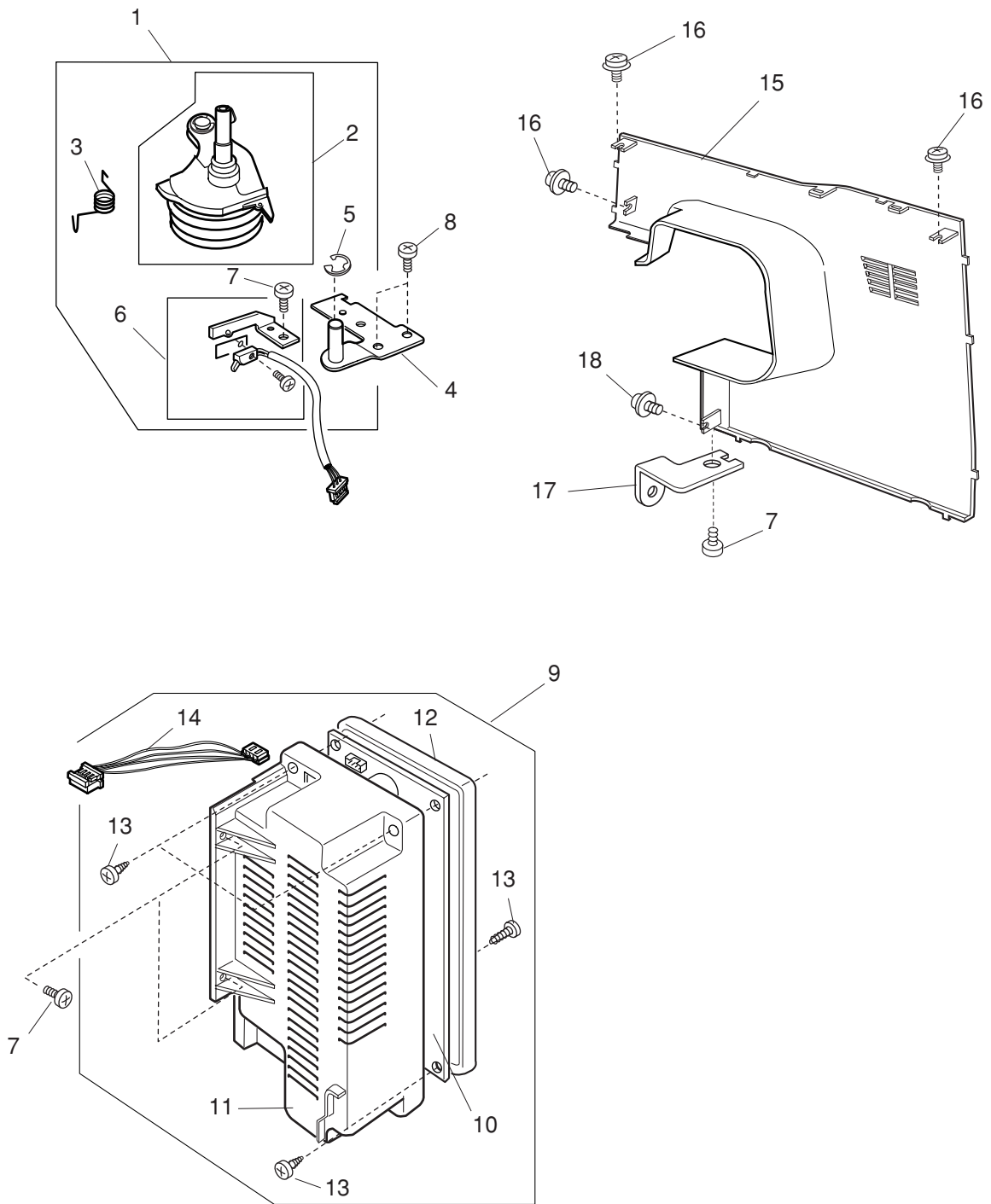
NO.	Parts Number	Name
1	852613007	Upper shaft (unit)
2	832068009	Presser foot actuator cam
3	000078319	Setscrew 3x6
4	000234304	Hexagonal socket screw 5x4
5	000111706	Hexagonal socket screw 5x8
6	829042007	Upper shaft front bushing
7	000038605	Washer
8	821025000	Upper shaft ring
9	000103509	Setscrew 4x10
10	830095010	Upper shaft shield plate
11	820102009	Washer
12	000081005	Setscrew 4x8
13	830341003	Upper shaft timing gear
14	000004303	Spring pin 3x20
15	820511201	Thread take-up lever
16	650626001	Thread take-up lever support pin (unit)
17	650062003	Thread take-up lever support pin
18	000001702	Snap ring 6
19	000111201	Hexagonal socket screw 4x4
20	000024206	Spring pin 3x30
21	852629109	Belt wheel (unit)
22	502064003	Clutch ring
23	661024007	Clutch spring
24	303025009	Belt wheel
25	650071005	Timing belt
26	850165003	Timing belt
27	000030205	Snap ring 8
28	502068007	Handwheel



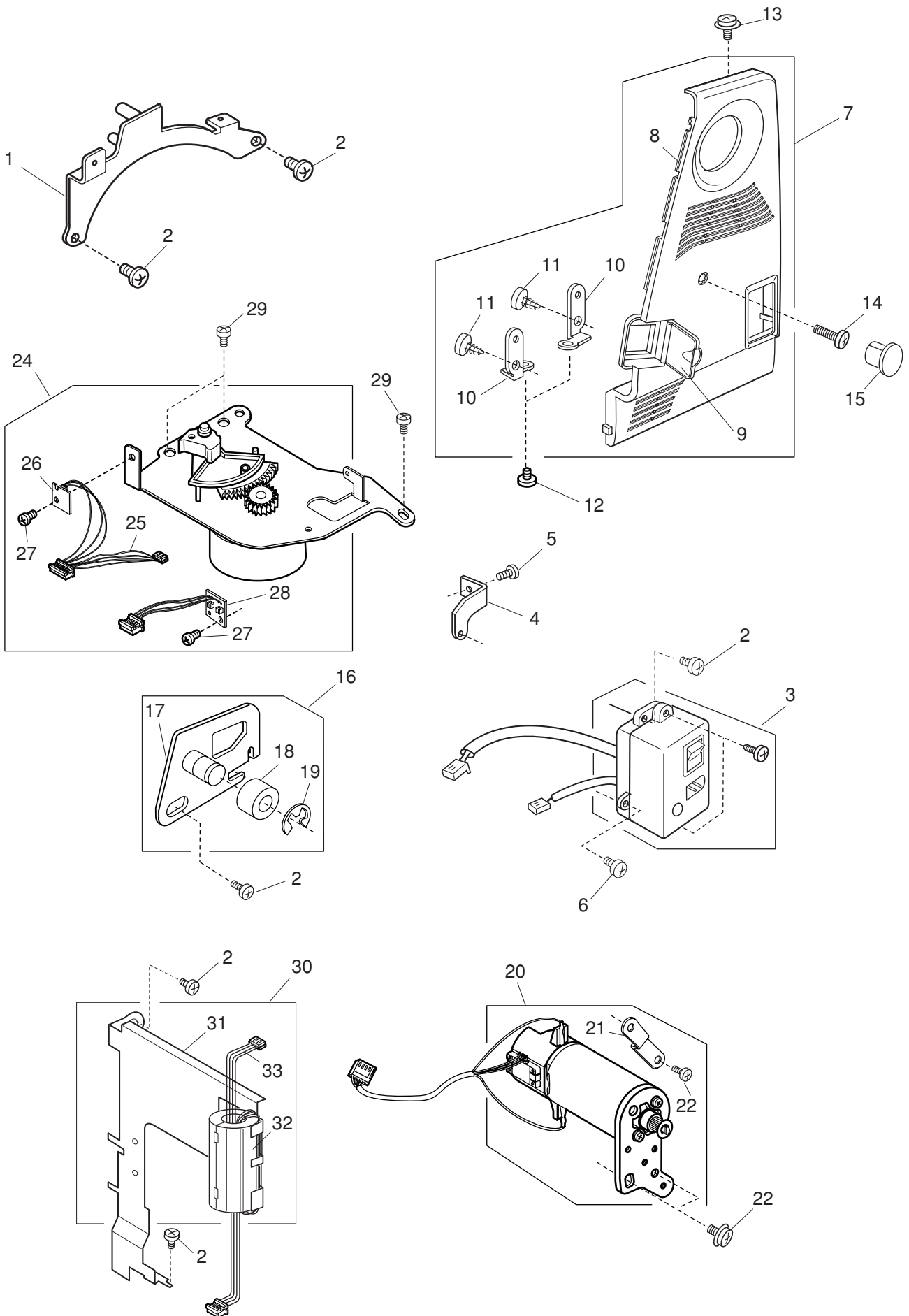
NO.	Parts Number	Name
1	853612010	Feed rock shaft (unit)
2	832633115	Feed rock shaft (unit)
3	832535105	Feed rock base (unit)
4	825099007	Feed rock base shaft
5	000111407	Hexagonal socket screw 4x6
6	825103005	Feed bar spring
7	832627105	Hook (unit)
8	627190010	Hook race magnet
9	627567001	Hook stopper (unit)
10	000081005	Setscrew 4x8
11	000070506	Washer
12	832517204	Bobbin holder (unit)
13	102261103	Bobbin
14	738055008	Straight center pin
15	000111304	Hexagonal socket screw 5x5
16	625508008	Feed regulator (unit)
17	850614105	Feed arm (unit)
18	820673006	Ring (unit)
19	820387000	Ring
20	000111201	Hexagonal socket screw 4x4
21	625144002	Feed shaft bushing (front)
22	650092002	Feed shaft bushing (rear)
23	650175000	Cushion
24	823110009	Felt
25	850071001	Lower shaft
26	850668001	Lower shaft belt gear (unit)
27	822113009	Lower shaft belt gear
28	822112008	Felt holder (1)
29	822070003	Felt (1)
30	000036201	Washer
31	850669002	Feed cam (unit)
32	825091102	Feed cam
33	810092004	Cam ring
34	000111108	Hexagonal socket screw 4x6
35	650076000	Lower shaft gear
36	825092000	Feed lifting cam
37	825093001	Feed lifting cam spring
38	820161006	Feed lifting pin
39	820672005	Ring (unit)
40	820166001	Ring
41	000038502	Washer
42	650078002	Lower shaft bushing (front)
43	650079003	Lower shaft bushing (rear)
44	853610007	Feed motor (unit)
45	852511406	Photo interrupter (unit)
46	000101105	Setscrew 3x4
47	000053008	Cord binder
48	832087004	SS adjusting knob
49	000115009	Setscrew 3x8
50	000101404	Setscrew 4x6
51	000002105	Snap ring 3
52	850645013	Bobbin thread detector solenoid (unit)
53	850083006	Bobbin thread detector arm
54	846220004	Hinge screw
55	000002507	Snap ring 4
56	850618109	Sensor set plate (unit)
57	000013707	CS ring 2.4
58	850089002	Spring
59	850212017	Spring



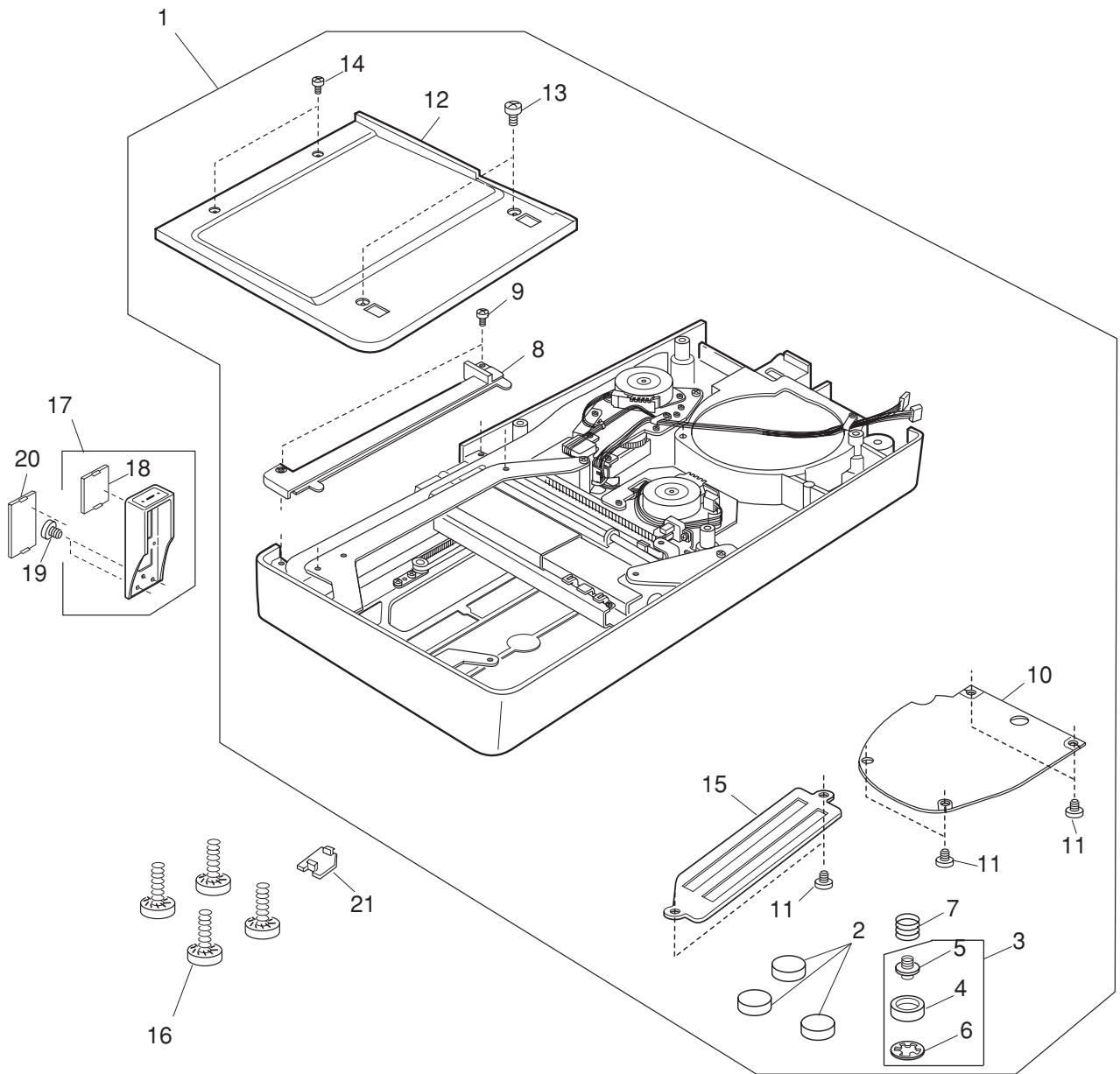
NO.	Parts Number	Name
1	857614302	Front cover (unit)
2	857005418	Front cover
3	857625100	Ornamental plate (unit)
4	857014100	Ornamental plate
5	000120203	Setscrew 3x8
6	857010106	Start/stop button
7	857020109	Button
8	857509004	Printed circuit board F (unit)
9	653507004	Slide volume (unit)
10	000014306	CS ring 3
11	857015008	Speed control lever
12	857607302	LCD (unit)
13	857016009	LCD fixing plate (upper)
14	857616005	LCD fixing plate (lower) (unit)
15	850524004	Inverter (unit)
16	852505005	LCD harness (unit)
17	857610009	Printed circuit board A (unit)
18	000076317	Setscrew 3x10
19	852019007	Card guide
20	825183010	Arm thread guide (lower)
21	000096508	Setscrew 3.5x25
22	000115607	Setscrew TP 4x8
23	000066705	Setscrew 3x8
24	832177002	Washer



NO.	Parts Number	Name
1	853613000	Bobbin winder (unit)
2	853506009	Bobbin winder (unit)
3	823119008	Spring
4	852029103	Bobbin winder plate
5	000001609	Snap ring 5
6	852615009	Bobbin winder switch (unit)
7	810220106	Setscrew
8	850628401	Switching regulator (unit)
9	850541203	Switching regulator
10	850157024	Switching regulator case
11	850158014	Switching regulator plate
12	000119704	Setscrew 3x14
13	850523003	Power supply harness (unit)
14	853002505	Rear cover
15	000115205	Setscrew 4x6
16	853021005	Cover fixing plate
17	000081005	Setscrew 4x8
18	000115607	Setscrew TP 4x8

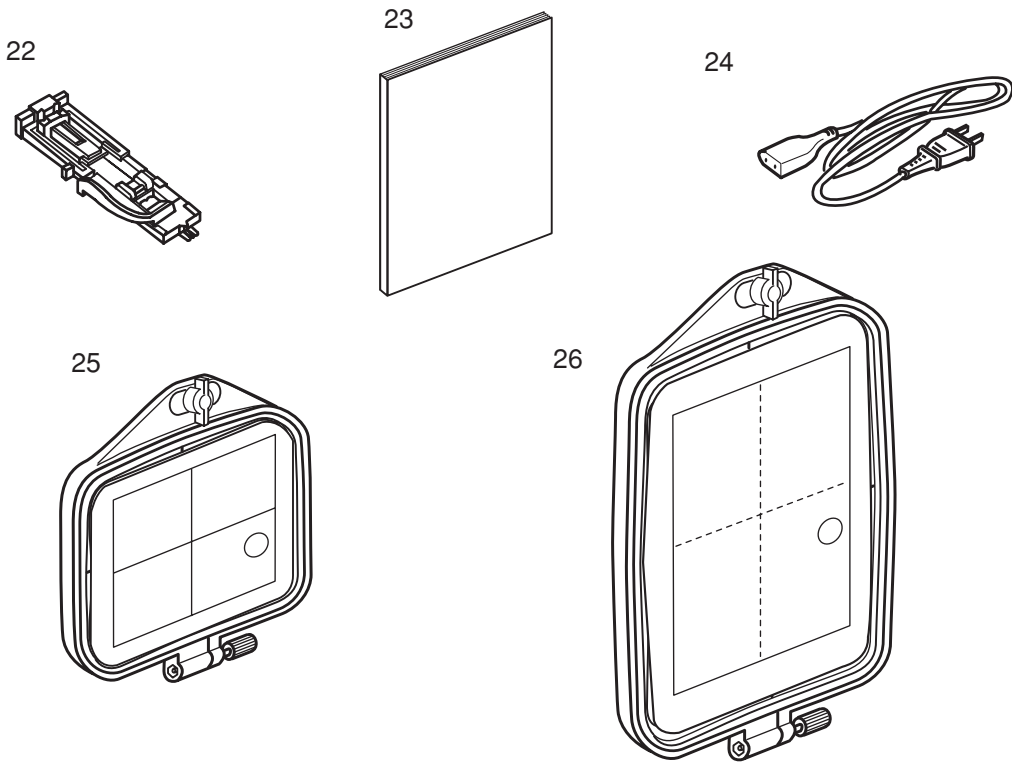
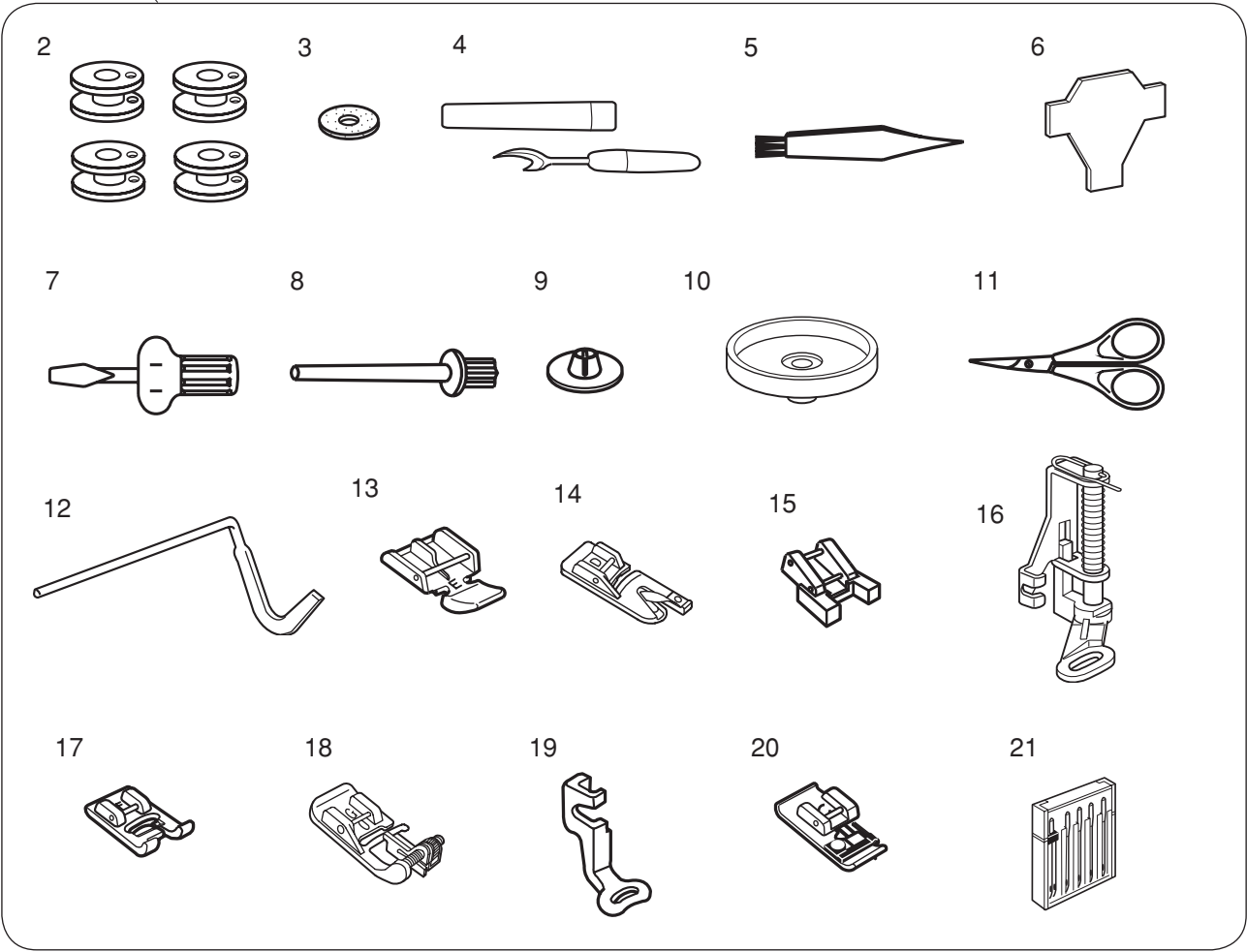


NO.	Parts Number	Name
1	857002002	Handle plate rear
2	000081005	Setscrew 4x8
3	853617004	Machine socket (unit) (for 220-240 V)
4	852036000	Machine socket fixing plate
5	810220106	Setscrew
6	000101817	Setscrew 4x16
7	853614001	Belt cover (unit)
8	852031108	Belt cover
9	853022006	Connector cover
10	832099009	Belt cover set plate
11	000161103	Setscrew 3x6
12	000078319	Setscrew 3x6
13	000115009	Setscrew TP 3x8
14	000104108	Setscrew 4x20
15	653006101	Cap
16	851617008	Idler (unit)
17	851039000	Idler base
18	625217100	Idler
19	000002806	Snap ring 6
20	080270218	Motor (unit)
21	850205006	Motor fixing set plate
22	000066705	Setscrew 3x8
23	000115607	Setscrew 4x8
24	853611008	Zigzag motor (unit)
25	850506608	Motor harness (unit)
26	852511509	Photo interrupter (unit)
27	000101105	Setscrew 3x4
28	843505203	Printed circuit board P (unit)
29	000101404	Setscrew 4x6
30	853616003	Motor guardplate (unit)
31	853029003	Motor guardplate
32	000559700	Core
33	850523106	Power supply harness



NO.	Parts Number	Name
1	852617702	Base (unit)
2	830150003	Rubber foot
3	717618000	Adjusting screw (unit)
4	820351005	Adjusting screw spring
5	820350004	Adjusting screw
6	813123004	CS ring
7	605074008	Rubber foot
8	850147009	Sheet cover
9	000066727	Setscrew 3x8
10	850151017	Base lid
11	810220106	Setscrew
12	851053000	Base cover
13	000101426	Setscrew 4x6
14	000101127	Setscrew 3x4
15	832146002	Base lid (1)
16	000127107	Setscrew 6x35
17	850627008	Carriage plate (unit)
18	850169007	Cover lid (2)
19	000078319	Setscrew 3x6
20	850156001	Cover lid
21	851071004	Base lid (3)

1



NO.	Parts Number	Name
1	857810001	Accessory (unit)
2	102261103	Bobbin
3	102403109	Felt
4	560406104	Seam ripper (unit)
5	802424004	Lint brush
6	653802002	Screwdriver
7	820832005	Screwdriver (large)
8	625031500	Spool pin
9	822019509	Spool holder (small)
10	829803004	Spool stand
11	803813203	Scissor
12	802422002	Quilter
13	829801002	Zipper foot (unit)
14	820809014	Hemmer foot (unit)
15	802406011	Button sewing foot (unit)
16	830856006	Darning foot
17	822804129	Satin stitch foot
18	820817015	Blind stitch foot
19	830810053	Embroidery foot (unit)
20	822801001	Overcasting foot (unit)
21	832832002	Needle case (unit)
22	830823129	Buttonhole foot
23	857817008	Instruction book (unit)
24	830335004	Power supply cord (230V)
25	852807011	Embroidery hoop (A)
26	850802010	Embroidery hoop (B)