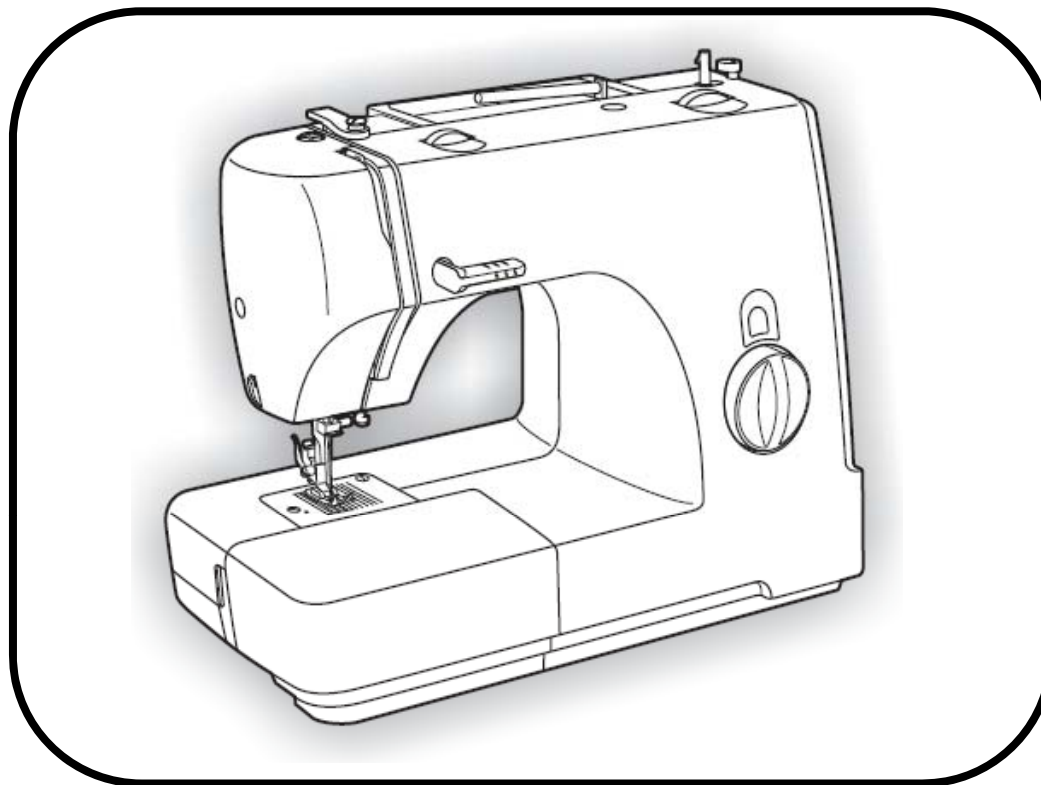


PARTS LIST



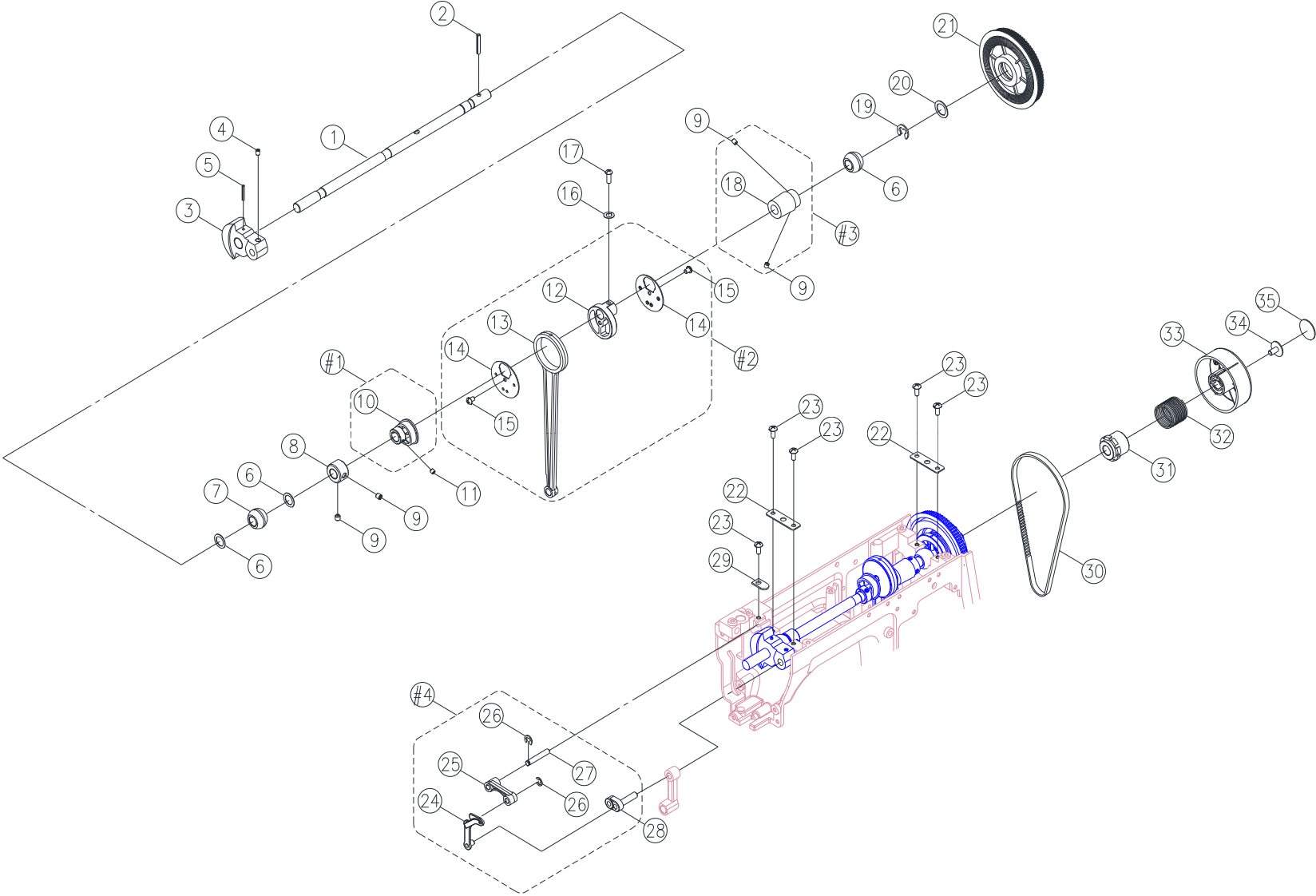
NECCHI

MODEL N8380B

~ LIST OF CONTENTS ~

A. ARM SHAFT	1
B. PATTERN CAM CONTACT, REVERSE LEVER	3
C. NEEDLE BAR SUPPORTER, ZIGZAG REGULATOR CRANK	5
D. DIAL TENSION, BOBBIN WINDER, CLUTCH ROD, FREE ARM FOOT BUSH	7
E. FEED REGULATING, FORK ROD, FEED ROCK SHAFT, FEED LIFTING ROCK CRANK	10
F. LOWER SHAFT, SHUTTLE HOOK	12
G. MOTOR & LAMP HOLDER	14
H. FRONT COVER, BACK COVER	16
I. BOTTOM PLATE, BED COVER, FACE PLATE, SEWING TABLE	18
J. ACCESSORIES	20

A. ARM SHAFT



A. ARM SHAFT

NO.	ITEM NO.	NAME	REMARK
1	V60033000	ARM SHAFT	
2	003043018	SPRING PIN(ϕ 3×18)	
3	V61473000	ARM SHAFT BALANCE	
4	004240223	SET SCREW(M4×6 C)	
5	003043524	ARM SHAFT BALANCE PIN(ϕ 3.5×24)	
6	004400080	ENDURE ATTRITION WASHER(ϕ 10.2× ϕ 15×0.5)	
7	R10293000	ARM SHAFT BUSING	
8	M1A0623003	ARM SHAFT COLLAR	
9	004240033	SET SCREW(M4×5 C)	
10	G4A0533000	FEED CAM	
11	004240503	SET SCREW(M4×4 C)	
12	V880603003	CRANK CONNECTING ROD CAM	
13	V880213000	CRANK CONNECTING ROD	
14	V880613003	CRANK CONNECTING ROD COVER	
15	0042400012	SET SCREW (M4X4 B)	
16	004600026	WASHER(ϕ 4.2× ϕ 7.2×1.2)	
17	004107063	SET SCREW(11/64×40×12)	
18	V880423000	ARM SHAFT WORM	
19	003010093	E-RING(ETW-9)	
20	004300853	WASHER(ϕ 10.2× ϕ 15×0.5)	
21	E4A0143210	ARM SHAFT DRIVER BELT PULLEY	
22	V60113003	ARM SHAFT BUSHING HOLDER PLATE	
23	004240106	SET SCREW(M4×8 A)	
24	E1A2513001	THREAD TAKE UP LEVER	
25	V10523000	THREAD TAKE UP LEVER SUPPORTER	
26	003010043	E-RING(ETW-4)	
27	V60223003	THREAD TAKE UP LEVER SUPPORTER SHAFT	
28	V10543000	ARM SHAFT BALANCE PIN	
29	H13093003	SET WASHER	
30	007156XXL5	MOTOR DRIVE BELT(156XXL)	
31	R10403000	ARM SHAFT COLLAR	
32	R10393000	ARM SHAFT CLUTCH ANNULUS SPRING	

PREFISSO "ZS"

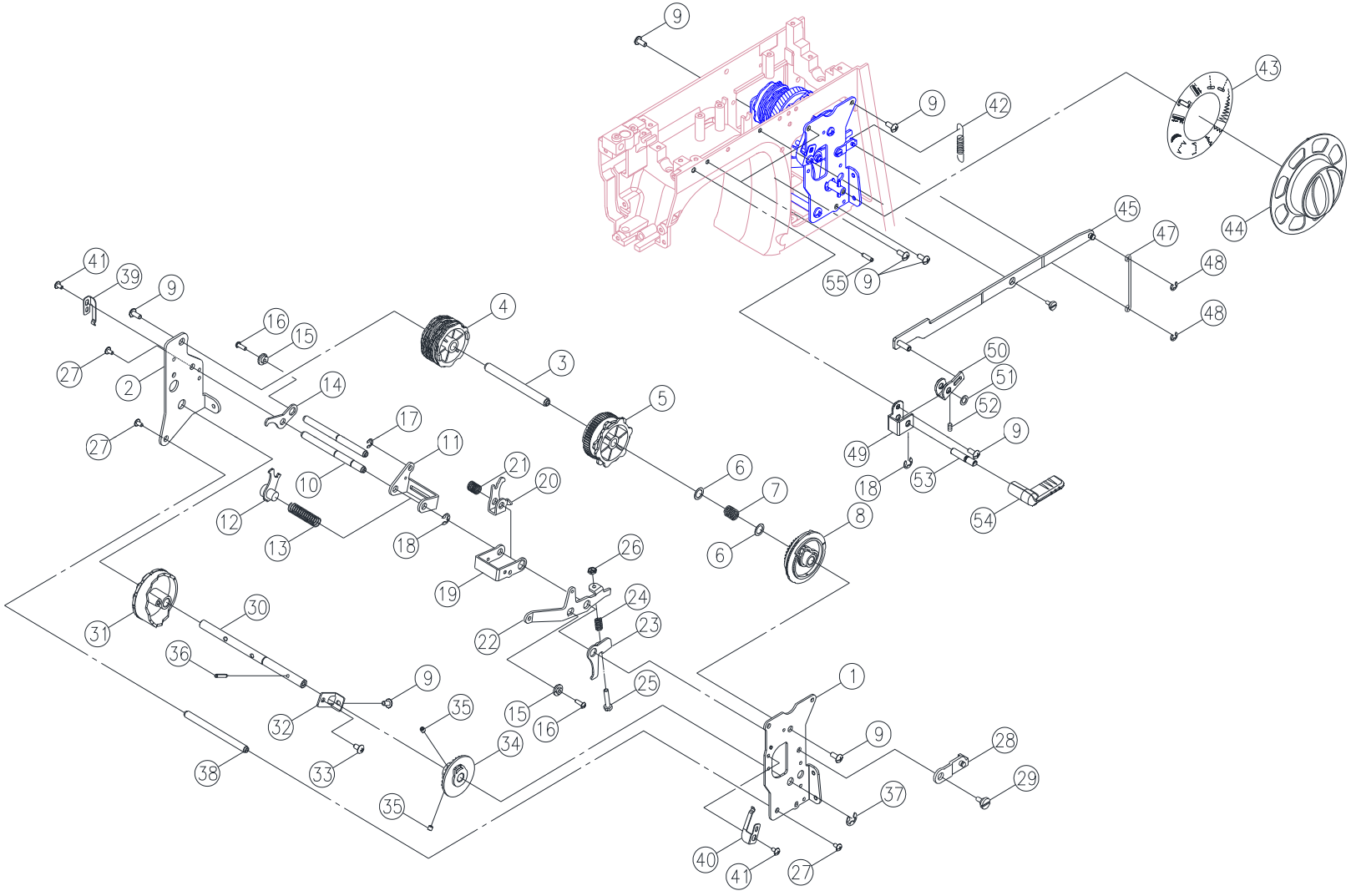
PREFISSO "ZS"

PREFISSO "ZS"

PREFISSO "ZS"

NO.	ITEM NO.	NAME	REMARK
33	V880093210	HAND WHEEL	
34	0042500016	SET SCREW(M5×10)	
35	V16893210	HAND WHEEL DECORATED PLATE	
#1	G4A0535000	FEED CAM COMPLETE	
#2	V880214000	CRANK CONNECTING ROD COMPLETE	
#3	V880424000	ARM SHAFT WORM COMPLETE	
#4	E1A2534000	THREAD TAKE UP LEVER COMPLETE	

B. PATTERN CAM CONTACT, REVERSE LEVER



B. PATTERN CAM CONTACT, REVERSE LEVER

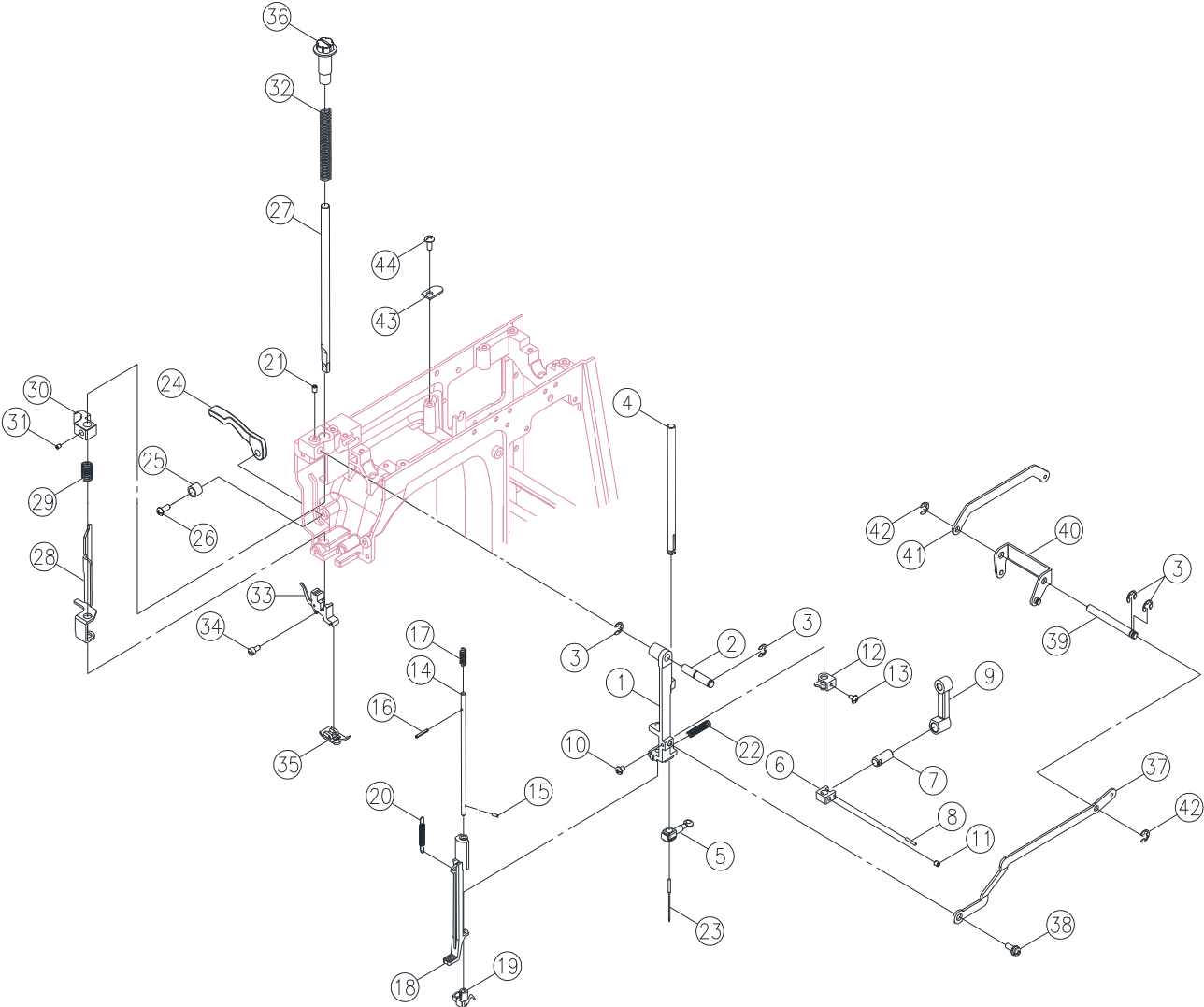
NO.	ITEM NO.	NAME	REMARK
1	V6E0363003	PATTERN CAM CONTACT PLATE(FRONT)	
2	V60633008	PATTERN CAM CONTACT PLATE(BACK)	
3	V60643003	PATTERN CAM SHAFT	
4	V60653000	PATTERN CAM	
5	V60663000	SS CAM	
6	004300823	WASHER(ϕ 8.1 \times ϕ 16 \times 0.2)	
7	V60673003	PATTERN CAM SPRING	
8	V60683000	STITCH LENGTH CAM	
9	004240106	SET SCREW(M4 \times 8 A)	
10	V60693000	ZIGZAG CAM CONTACT SUPPORTER SHAFT	
11	V60703008	ZIGZAG CAM CONTACT SUPPORTER	
12	V60713003	ZIGZAG CAM CONTACT	
13	V10693003	ZIGZAG CAM CONTACT SPRING	
14	V60723003	ZIGZAG REGULATOR PLATE	
15	V60733000	ZIGZAG REGULATOR NUT	
16	004230316	SET SCREW(M3 \times 10 B)	
17	003010043	E-RING(ETW-4)	
18	003010053	E-RING(ETW-5)	
19	V60743003	SS CAM CONTACT SUPPORTER	
20	V60763003	SS CAM CONTACT	
21	V60773003	SS CAM CONTACT SPRING	
22	V60783003	FEED REGULATOR CRANK	
23	V60803003	BH REGULATOR PLATE	
24	V60813003	BH SPRING	
25	004240706	SET SCREW	
26	004840106	NUT(ALN-4)	
27	004230016	SET SCREW(M3 \times 6 A)	
28	V610063003	REVERSE PLATE	
29	004230583	REVERSE PLATE SCREW	
30	V482023003	PATTERN SELECTOR CAM SHAFT	
31	V70053000	PATTERN SELECTOR CAM	
32	V60853003	PATTERN SELECTOR CAM PLATE	

NO.	ITEM NO.	NAME	REMARK
33	004240166	SET SCREW(M4 \times 8 A)	
34	V60863000	BH PATTERN SELECTOR CAM	
35	004240503	SET SCREW(M4 \times 4 C)	
36	003043018	SPRING PIN(ϕ 3 \times 18)	
37	003010063	E-RING(ETW-6)	
38	V60823003	PATTERN CAM CONTACT SUPPORTER SHAFT	
39	V60873003	PATTERN PLATE	
40	V60883003	STITCH LENGTH PLATE	
41	004240056	SET SCREW(M4 \times 6 B)	
42	M70093000	SPRING	
43	V48D063210	PATTERN SELECTOR PLATE	
44	V882023210	PATTERN SELECTOR DIAL	
45	V880283006	REVERSE LEVER	
46	004240883	REVERSE LEVER SET SCREW(M4)	
47	V610093003	REVERSE ROD	
48	003010036	E-RING(ETW-3)	
49	V880273006	REVERSE KNOB SHAFT MOUNTING PLATE	
50	V880263006	REVERSE CONNECTING PLATE	
51	004400260	WASHER(ϕ 6.2 \times ϕ 14 \times 0.13)	
52	004240223	SET SCREW(M4 \times 6 C)	
53	V880253006	REVERSE KNOB SHAFT	
54	V882043210	REVERSE KNOB	
55	003044008	SPRING PIN(ϕ 4 \times 8)	

PREFISSO "ZS"
PREFISSO "ZS"

PREFISSO "ZS"
PREFISSO "ZS"

C. NEEDLE BAR SUPPORTER, ZIGZAG REGULATOR CRANK



C. NEEDLE BAR SUPPORTER, ZIGZAG REGULATOR CRANK

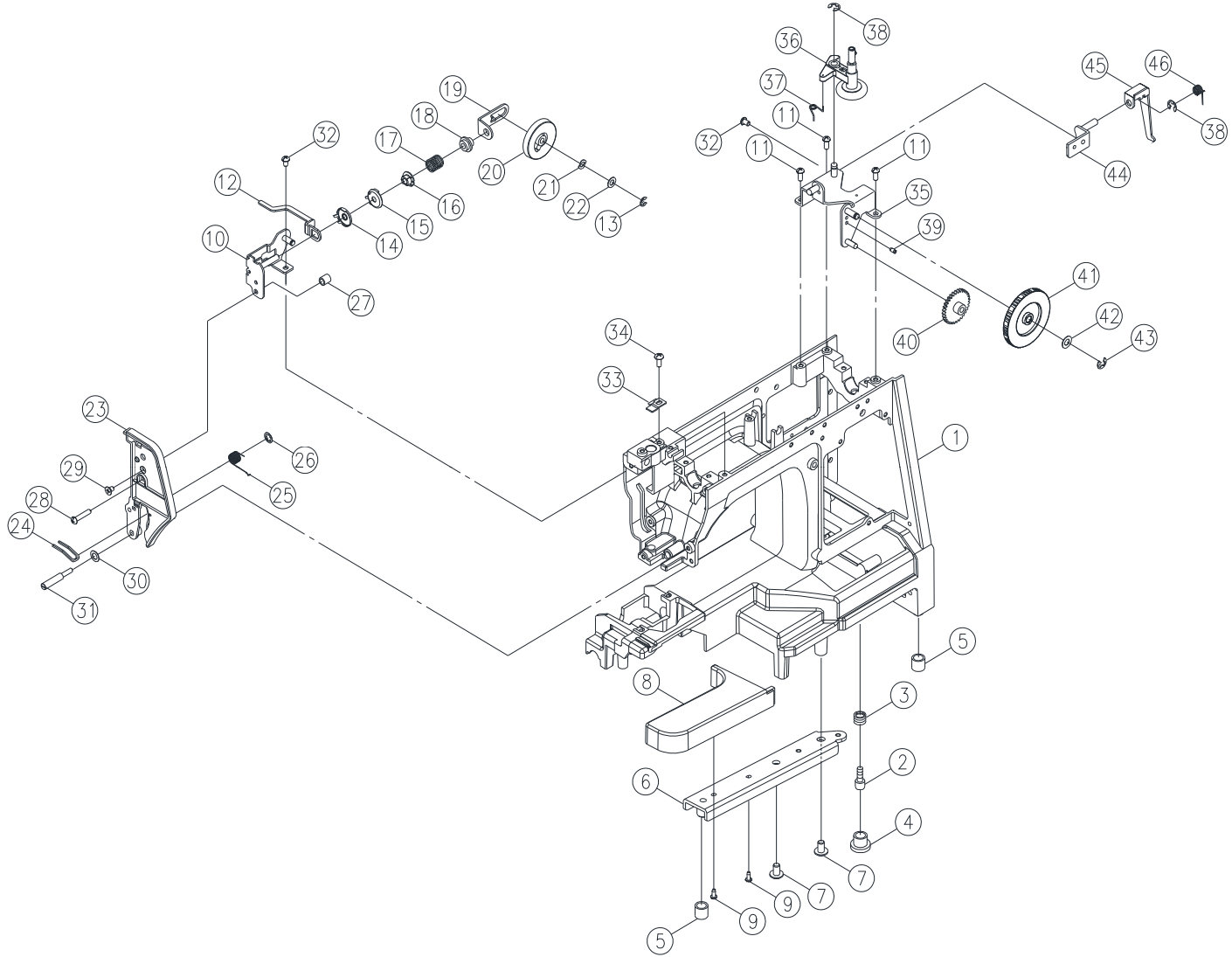
NO.	ITEM NO.	NAME	REMARK
1	V61753002	NEEDLE BAR SUPPORTER	
2	R12723003	NEEDLE BAR SUPPORTER PIN	
3	003010053	E-RING(ETW-5)	
4	V70273000	NEEDLE BAR	
5	TA11034000	NEEDLE CLAMP COMPLETE	
6	V880393003	NEEDLE BAR BRACKET(1)	
7	V880483000	NEEDLE BAR BRACKET(2)	
8	0030400020	PIN(ϕ 2×12)	
9	V880633000	NEEDLE BAR CRANK ROD	
10	004106202	SET SCREW(9/64×40×6)	
11	004240503	SET SCREW(M4×4 C)	
12	M70073002	AUTO THREADER STOPPER	
13	0042300126	SET SCREW(M3×8 A)	
14	V61843002	AUTO THREADER SHAFT	
15	M70043000	SPRING PIN(ϕ 2×6)	
16	003042014	SPRING PIN(ϕ 2×14)	
17	R12793003	AUTO THREADER SHAFT SPRING	
18	R10083000	AUTO THREADER LERER	
19	E1A2125000	AUTO THREADER	
20	M70093000	AUTO THREADER LERER SPRING	
21	004240033	SET SCREW(M4×5 C)	
22	H50583003	NEEDLE BAR SUPPORTER SPRING	
23	006046148	NEEDLE	
24	V880153000	PRESSER BAR LIFTER LEVER	
25	V60163000	PRESSER BAR LIFTER LEVER SCREW WASHER	
26	004240046	SET SCREW(M4×10 B)	
27	V70153002	PRESSER BAR	
28	V880573003	TENSION LEVER LIFTER	
29	H10723003	TENSION LEVER LIFTER SPRING	
30	H10533002	PRESSER BAR BRACKET	
31	004260023	SET SCREW(M6×5 C)	
32	V70163003	PRESSER BAR SPRING	

PREFISSO "ZS"
 PREFISSO "ZS"

NO.	ITEM NO.	NAME	REMARK
33	006187008	SHANK COMPLETE	
34	004106221	SHANK SCREW(9/64×40×8)	
35	006806008	ALL PURPOSE FOOT(J)	
36	V620163210	PRESSER BAR REGULATING SCREW	
37	V70023003	NEEDLE BAR DRIVING ROD	
38	E1A2993000	NEEDLE BAR DRIVING ROD PIN	
39	V70103003	ZIGZAG CONTACT SUPPORTER SHAFT	
40	V70093003	ZIGZAG REGULATOR CRANK	
41	V61043003	ROD	
42	003010043	E-RING(ETW-4)	
43	H13093003	CARRYING HANDLE PLATE	
44	004240106	SET SCREW(M4×8 A)	

PREFISSO "ZS"
 PREFISSO "ZS"

D. DIAL TENSION, BOBBIN WINDER, CLUTCH ROD, FREE ARM FOOT BUSH



D. DIAL TENSION, BOBBIN WINDER, CLUTCH ROD, FREE ARM FOOT BUSH

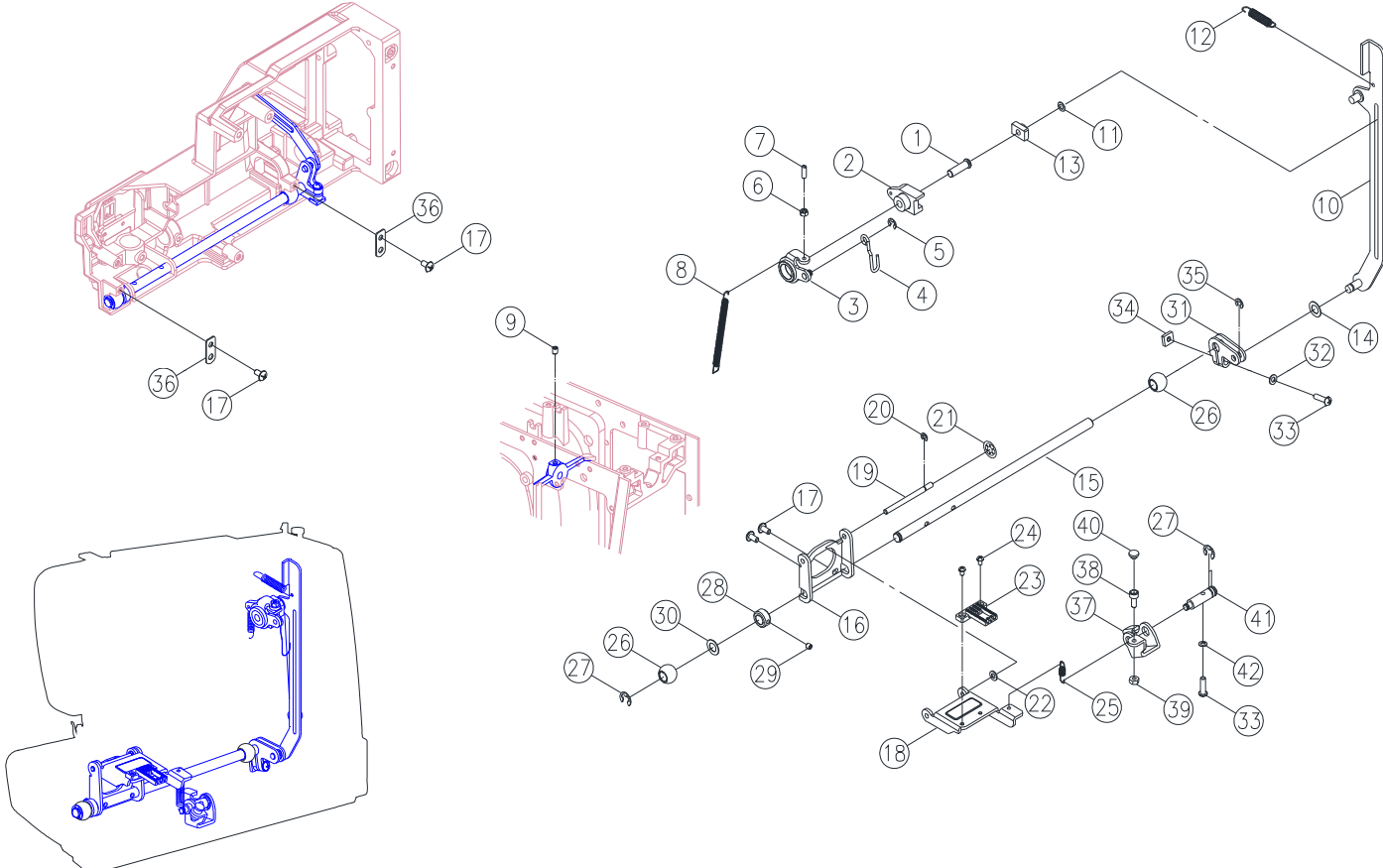
NO.	ITEM NO.	NAME	REMARK
1	V880433000	ARM	
2	K82133006	BASE PLATE ADJUSTMENT SCREW	
3	K82073003	BASE PLATE ADJUSTMENT SCREW SPRING	
4	E1A2503002	ADJUSTMENT FREE ARM BASE CUSHION RUBBER	
5	K6A0063002	FREE ARM BASE CUSHION RUBBER	
6	V6E1024000	FREE ARM FOOT	
7	004260056	SET SCREW(M6×10)	
8	V6E1143210	FREE ARM FOOT BASE	
9	004230842	SET SCREW(M3×8)	
10	V880553002	DIAL TENSION SUPPORTER PLATE	
11	004240066	SET SCREW(M4×8 B)	
12	V880563003	DIAL TENSION WAFT PLATE	
13	003010043	E-RING(ETW-4)	
14	J30423001	DIAL TENSION DISC(1)	
15	E1A2333001	DIAL TENSION DISC	
16	D6B0623000	DIAL TENSION SPRING REGULATOR	
17	NB1083000	DIAL TENSION SPRING	
18	K50193000	DIAL TENSION REGULATOR	
19	V60273006	DIAL TENSION SPRING PLATE	
20	V88D023210	DIAL TENSION KNOB	
21	004500360	WASHER(WW-5)	
22	004300643	WASHER(φ5.2×φ10×0.5)	
23	V88A013210	DIAL TENSION SUPPORTER PLATE COVER	
24	V61873001	THREAD GUIDE	
25	V60303000	THREAD GUIDE SPRING	
26	003020053	CS RING(CSTW-5)	
27	G4A1623001	DIAL TENSION GUIDE SPRING TUBE	
28	004240146	SET SCREW(M4×15 B)	
29	004240176	SET SCREW(M4×6 D)	
30	004300136	WASHER(φ4.2×φ8×0.8)	
31	004240982	SET SCREW(M4×14)	
32	004240056	SET SCREW(M4×6 B)	

PREFISSO "ZS"
PREFISSO "ZS"

PREFISSO "ZS"
PREFISSO "ZS"

NO.	ITEM NO.	NAME	REMARK
33	V880583003	TENSION LEVER REGULATING PLATE	
34	004240106	SET SCREW(M4×8 A)	
35	V882075000	BOBBIN WINDER FRAME	
36	V6E0345000	BOBBIN WINDER CRANK COMPLETE	
37	V61563003	BOBBIN WINDER CRANK SPRING	
38	003010053	E-RING(ETW-5)	
39	003043008	SPRING PIN(φ3×8)	
40	V61183000	STITCH LENGTH GEAR	
41	003010046	E-RING(ETW-4)	
42	V48R043210	STITCH LENGTH DIAL COMPLETE	
43	004300946	WASHER(φ6.5×φ11×0.4)	
44	K6A1043003	CLUTCH ROD PLATE	
45	P3A1173003	CLUTCH ROD	
46	P3A1183003	CLUTCH ROD SPRING	

E. FEED REGULATING, FORK ROD, FEED ROCK SHAFT, FEED LIFTING ROCK CRANK



E. FEED REGULATING, FORK ROD, FEED ROCK SHAFT, FEED LIFTING ROCK CRANK

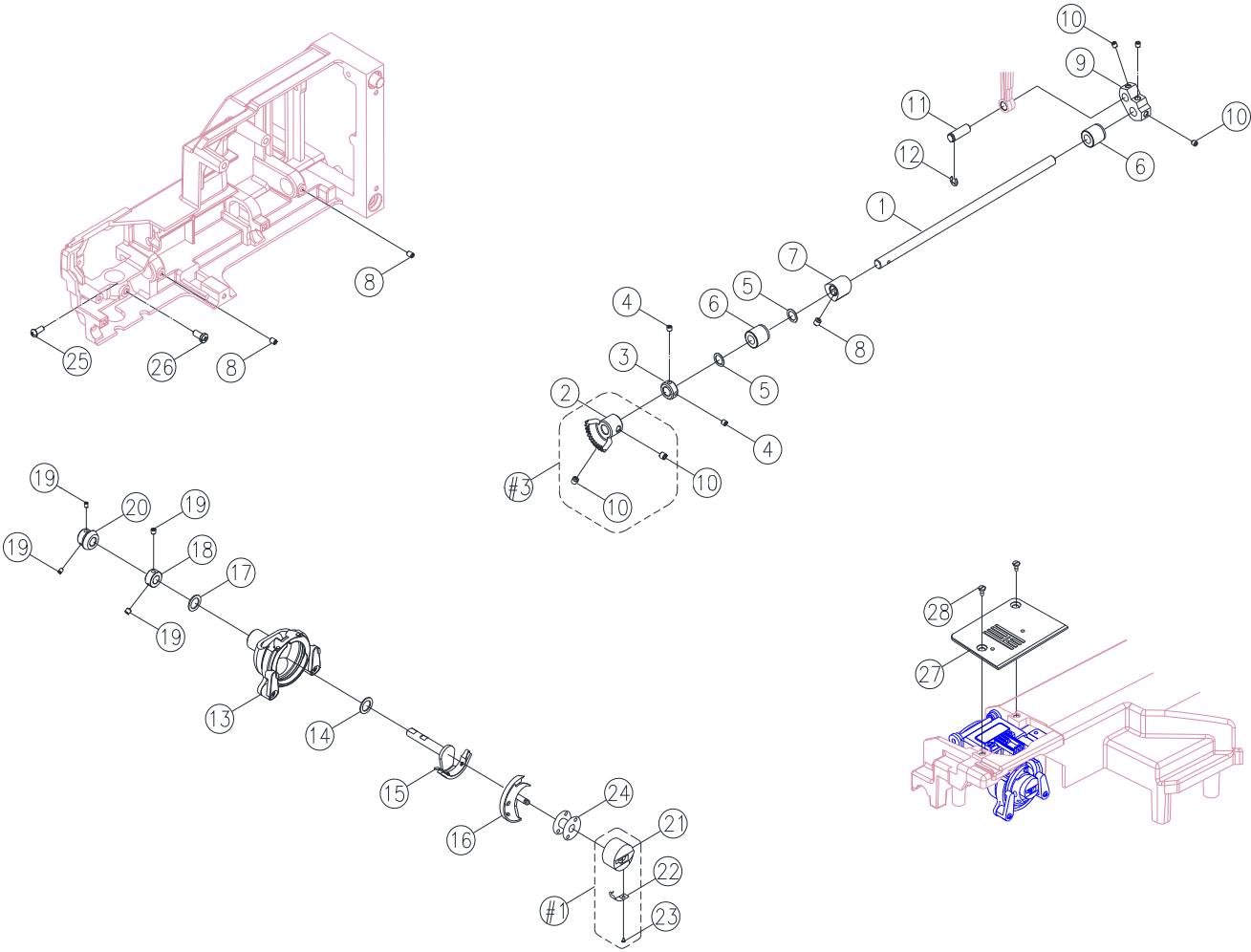
NO.	ITEM NO.	NAME	REMARK
1	V60443000	FEED REGULATING SHAFT	
2	V60433000	FEED REGULATING	
3	V60395000	FEED REGULATING PLATE COMPLETE	
4	V60423003	FEED ROD	
5	003010046	E-RING(ETW-4)	
6	004706013	NUT(9/64×40 T=3)	
7	004106053	SET SCREW(9/64×40×11)	
8	V70063003	FEED REGULATING SPRING	
9	004240223	SET SCREW(M4×6 C)	
10	V60453003	FORK ROD	
11	004400180	ENDURE ATTRITION WASHER(φ5.7×φ10.2×0.5)	
12	V60463003	FORK ROD SPRING	
13	V11533000	FEED REGULATING BLOCK	
14	004400450	ENDURE ATTRITION WASHER(φ5.5×φ12×0.25)	
15	V60483000	FEED ROCK SHAFT	
16	V60493003	FEET ROCK FRAME	
17	004240106	SET SCREW(M4×8 A)	
18	V60503003	FEED DOG FRAME	
19	V60513003	FEED DOG FRAME SHAFT	
20	003010036	E-RING(ETW-3)	
21	003090043	NUT(SPN-4)	
22	004300136	WASHER(φ4.2×φ8×0.8)	
23	V620053000	FEET DOG	
24	004230056	SET SCREW(M3×5 B)	
25	V60533003	FEED DOG FRAME SPRING	
26	V60343000	FEED ROCK BUSHING	
27	003010063	E-RING(ETW-6)	
28	H11943003	PATTERN CAM SHAFT COLLAR	
29	004240503	SET SCREW(M4×4 C)	
30	004400410	ENDURE ATTRITION WASHER(φ8.2×φ12×0.25)	
31	V60553003	FEED ROCK CRANK	
32	004300093	WASHER(φ4×φ8×0.5)	

NO.	ITEM NO.	NAME	REMARK
33	004240146	SET SCREW(M4×15 B)	
34	004840073	FEED ROCK CRANK NUT (M4)	
35	003010043	E-RING(ETW-4)	
36	V60563003	BUSHING HOLDER PLATE	
37	V60583003	FEED LIFTING ROCK CRANK	
38	004250323	SEW SCREW	
39	004840022	NUT(M4 T=3)	
40	K81243000	SEW SCREW KNOB	
41	V60593003	FEED LIFTING ROCK SHAFT	
42	004600026	WASHER(φ4.2×φ7.2×1.2)	

PREFISSO "ZS" PREFISSO "ZS"

PREFISSO "ZS" PREFISSO "ZS"

F. LOWER SHAFT, SHUTTLE HOOK

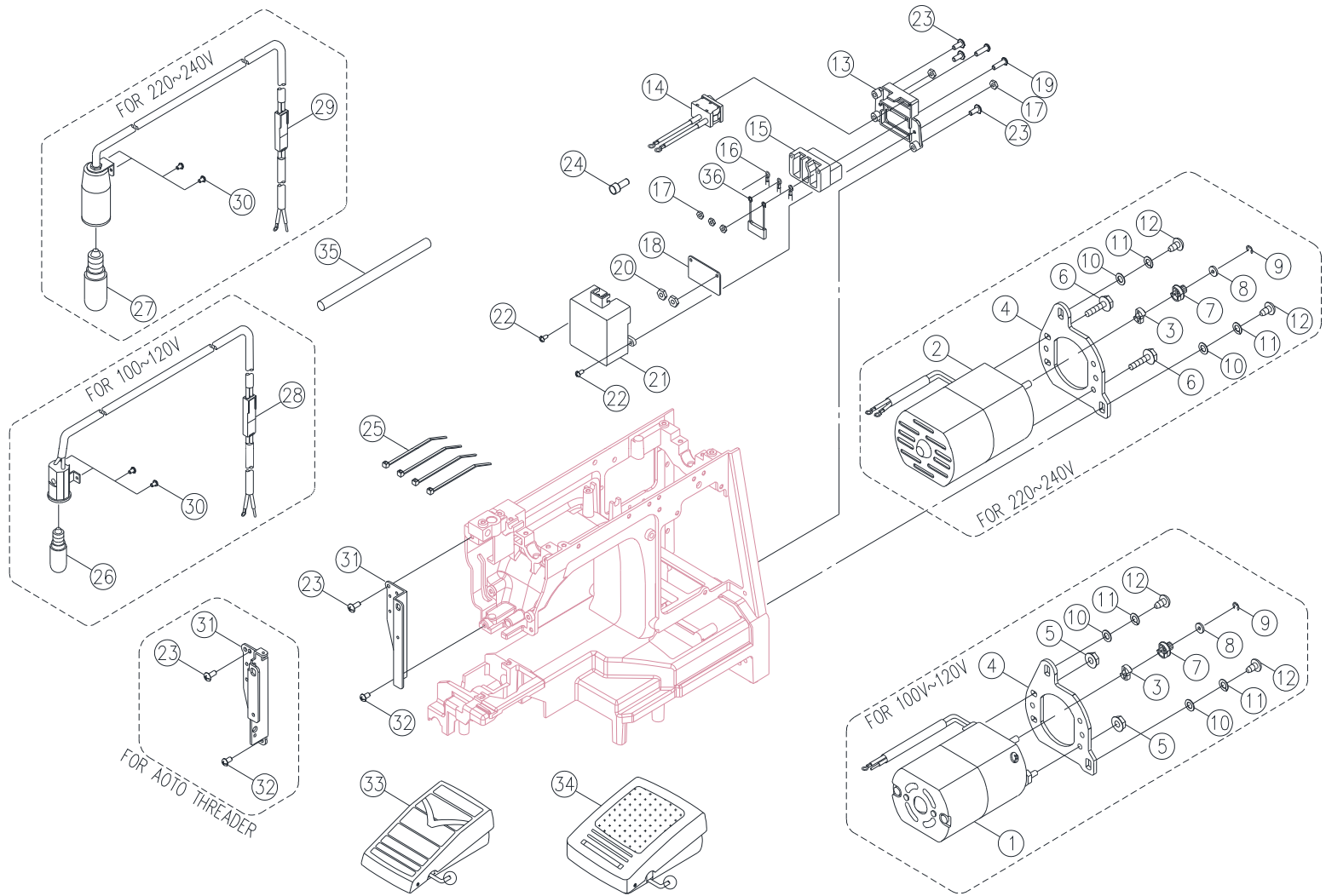


F. LOWER SHAFT, SHUTTLE HOOK

NO.	ITEM NO.	NAME	REMARK
1	M1A0083000	LOWER SHAFT	
2	G4A1573000	LOWER SHAFT GEAR	
3	V11553003	LOWER SHAFT COLLAR	
4	004240503	SET SCREW(M4×4C)	
5	004400410	ENDURE ATTRITION WASHER(ϕ 8.2× ϕ 12×0.25)	
6	E1A0283000	FEED ROCK BUSHING	
7	V6E1123000	FEED LIFTING ROCK CAM	
8	004240223	SET SCREW(M4×6C)	
9	V60363000	CRANK CONNECTING ROD CRANK	
10	004250203	SET SCREW(M5×5C)	
11	V10833003	CRANK CONNECTING ROD CRANK PIN	
12	003010053	E-RING(ETW-5)	
13	V10995000	OPEN SHUTTLE RACE COMPLETE	
14	004400800	ENDURE ATTRITION WASHER(ϕ 7.6× ϕ 12×0.13)	
15	K81125000	SHUTTLE DRIVER COMPLETE	
16	V62043000	SHUTTLE HOOK(4.6MM)	
17	004400210	ENDURE ATTRITION WASHER(ϕ 8.2× ϕ 16×0.5)	
18	H71153003	SHUTTLE DRIVER SHAFT COLLAR	
19	004107293	SET SCREW(11/64×40×4)	
20	G4A1583000	SHUTTLE DRIVER SHAFT GEAR	
21	H71186001	BOBBIN CASE	
22	H13803001	BOBBIN CASE SPRING	
23	H13973002	BOBBIN CASE SPRING SET SCREW	
24	006084009	BOBBIN	
25	004240046	SET SCREW(M4×10B)	
26	004250151	SET SCREW(M5×10B)	
27	V620033001	NEEDLE PLATE	
28	004240851	NEEDLE PLATE COMPLETE SET SCREW	
#1	H71185000	BOBBIN CASE COMPLETE	
#2	G4A1574000	LOWER SHAFT GEAR COMPLETE	

PREFISSO "ZS"
 PREFISSO "ZS"

G. MOTOR & LAMP HOLDER



ALL VOLTAGE APPLICATION & SPEC. ,PLEASE CHECK NEXT PAGE.

G. MOTOR & LAMP HOLDER

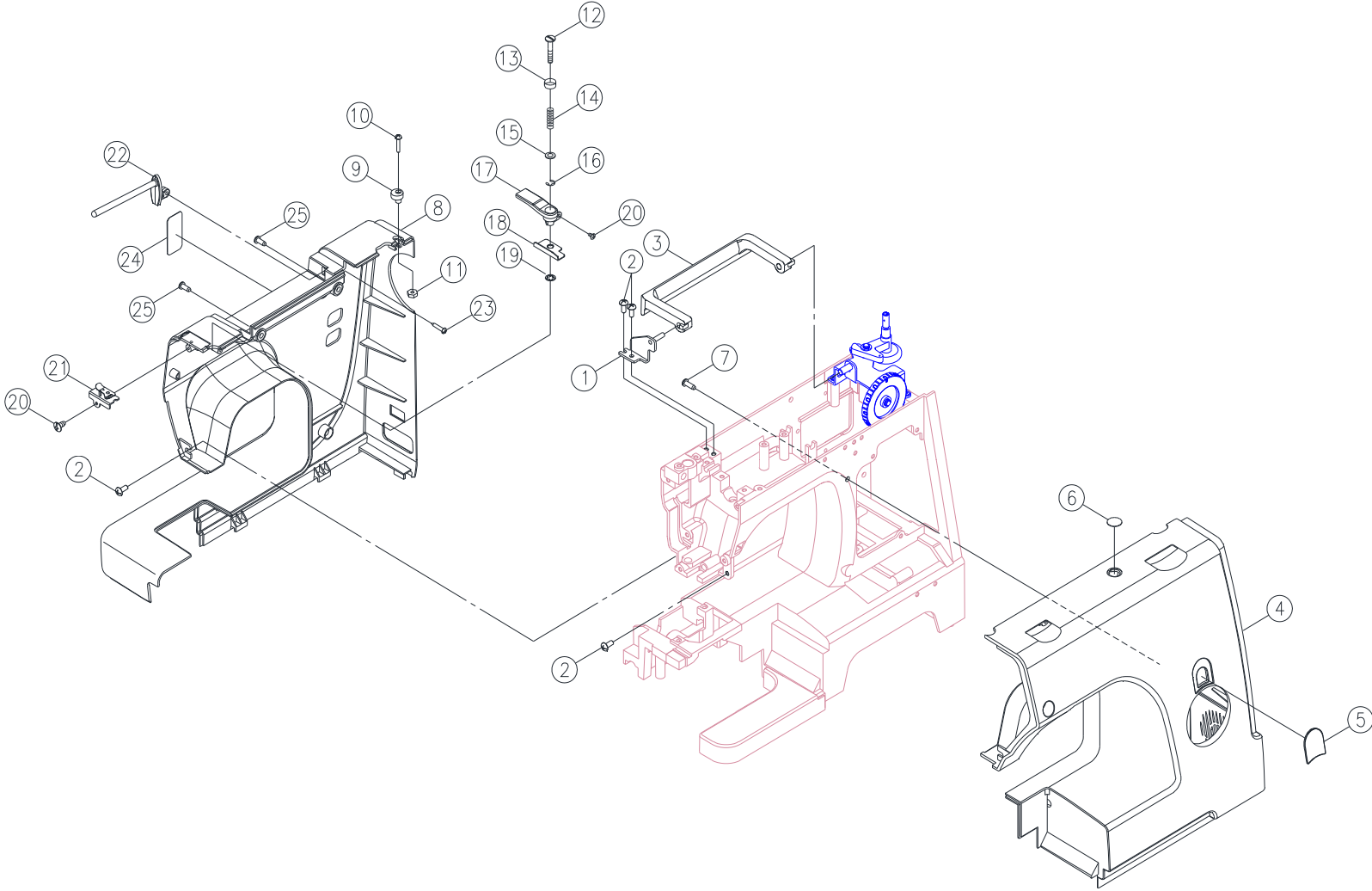
NO.	ITEM NO.	NAME	REMARK
1			FOR 120V / US
2	001164209	MOTOR	FOR 230V / EU.
3	008059302	CUSHION RUBBER	
4	002397025	MOTOR BRACKET	
5			FOR 100~120V
6	004241428	SET SCREW(M4×10.2)	FOR 220~240V
7	002396029	BELT WHEEL	
8	002145029	MOTOR FEED REGULATOR COLLAR	
9	003010036	E-RING(ETW-3)	
10	004300306	WASHER(φ5.4×φ10×0.9)	
11	004600296	SPRING WASHER(φ5.2×φ9×1)	
12	004250086	SET SCREW(M5×12)	
13	002252129	RECEPTACLE HOLDER	
14	002425118	SWITCH ASS 'Y	
15	002624129	RECEPTACLE (Z11)	
16	003012061	WASHER(φ6×3.2)	
17	004840120	NUT(M3×4)	
18	002621129	CONCERT INSULATION PLATE	
19	004230865	SET SCREW(M3×20)	
20	004830016	NUT(M3 T=2.3)	
21	002248129	RECEPTACLE HOLDER COVER	
22	004230286	SET SCREW(M3×8 B)	
23	004240106	SET SCREW(M4×8 A)	
24	AA0463000	END TERMED	
25	002027129	CORD CLIP	
26			FOR 120V
27	005240011	LAMP	FOR 230V.240V
28			FOR 120V
29	002424118	LEAD WIRE ASS 'Y	FOR 220~240V
30	004230056	SET SCREW(M3×5 B)	
31	V6E0563006	LAMP BRACKET	FOR AUTO THREADER
			FOR NON-AUTO THREADER

NO.	ITEM NO.	NAME	REMARK
32	004240056	SET SCREW(M4×6 B)	
33			FOR 100~120V / US
34	002V881021	FOOT CONTROLLER	FOR 230V / EU.
35	002486000	SPAGHETTI	
36	008V4B0001	CONDENSER	FOR 220V-240V

PREFISSO "ZS" PREFISSO "ZS"

PREFISSO "ZS" PREFISSO "ZS"

H. FRONT COVER, BACK COVER



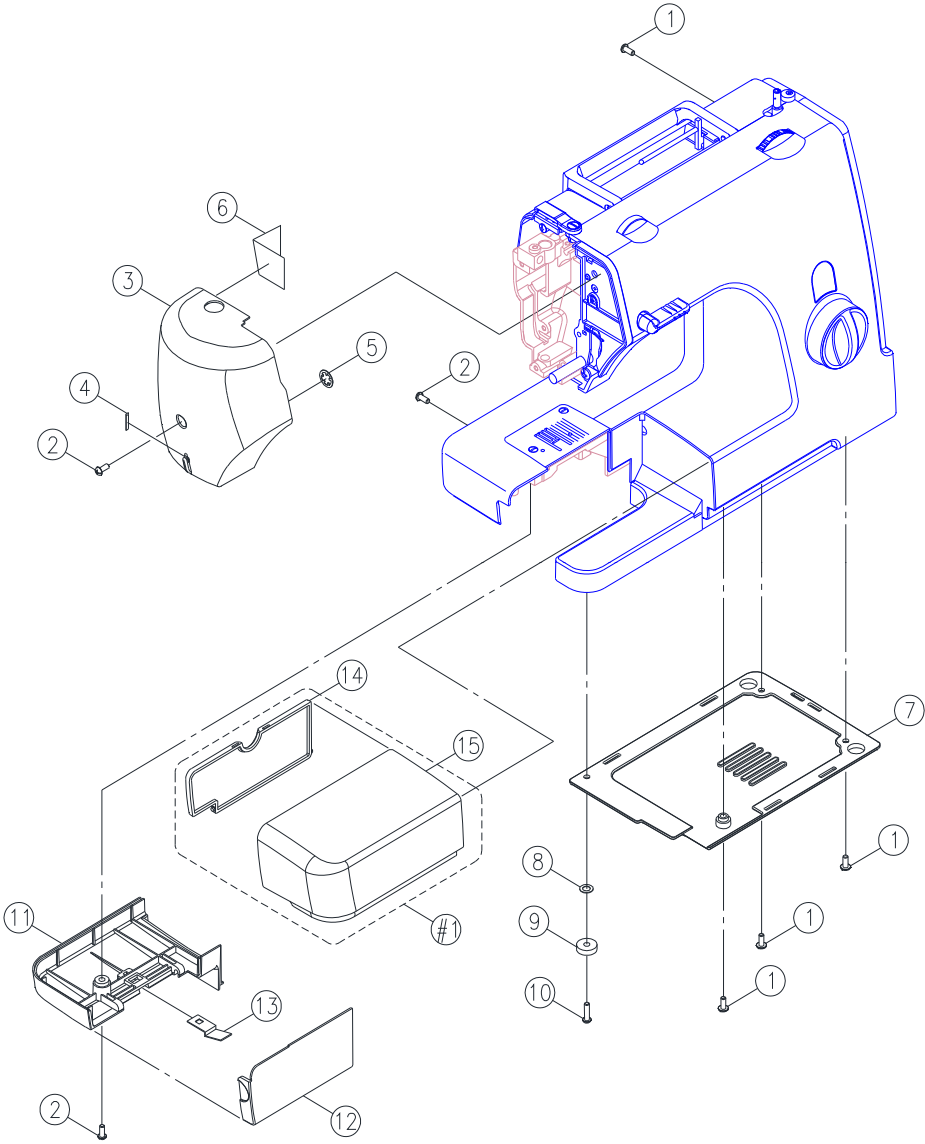
H. FRONT COVER, BACK COVER

NO.	ITEM NO.	NAME	REMARK
1	V62033006	HANDLE BRACKET COMPLETE	
2	004240106	SET SCREW(M4×8 A)	
3	V880083210	HANDLE	
4	V48C283210	FRONT COVER	
5	V48P133031	PATTERN DISPLAY WINDOW PLATE	
6	V61503210	PLATE(1)	
7	004240526	SET SCREW(M4×12 B)	
8	V880023210	BACK COVER	
9	E1A2393000	BOBBIN WINDER STOPPER	
10	004106371	SET SCREW(9/64×4×18 B)	
11	004706013	NUT(9/64×40 T=3)	
12	V880173001	BOBBIN WINDER THREAD GUIDE ADJUSTING SCREW	
13	V880183001	BOBBIN WINDER SPRING DISC	
14	V880193000	BOBBIN WINDER THREAD GUIDE SPRING	
15	004301146	WASHER(ϕ 4.2× ϕ 8×1)	
16	003010036	E-RING(ETW-3)	
17	V88A023210	BOBBIN WINDER THREAD GUIDE BASE	
18	V880403000	METAL GUIDE BAR	
19	003020043	CS-RING(CSTW-4)	
20	004230216	SET SCREW(M3×8.5B)	
21	V880235000	THREAD GUIDE COMPLETE	
22	V880703210	SPOOL PIN	
23	004230646	SET SCREW(M3×16.7 B)	
24	V880353210	BACK COVER PLATE	
25	004240306	SET SCREW(M4×10 B)	

PREFISSO "ZS"

PREFISSO "ZS"

I. BOTTOM PLATE, BED COVER, FACE PLATE, SEWING TABLE



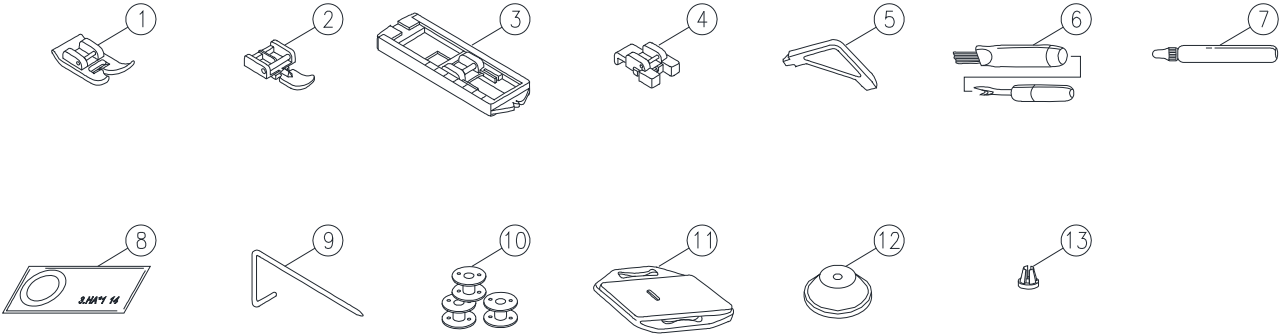
I. BOTTOM PLATE, BED COVER, FACE PLATE, SEWING TABLE

NO.	ITEM NO.	NAME	REMARK
1	004240106	SET SCREW(M4×8 A)	
2	004240046	SET SCREW(M4×10 B)	
3	V88F003210	FACE PLATE	
4	V630593000	THREAD CUTTER	
5	003020583	CS-RING(CSTW-6)	
6	V880323000	HEAT RESISTANT PLATE	
7	V880453323	BOTTOM PLATE	
8	004300586	WASHER(ϕ 5.2× ϕ 16×1.0)	
9	J31413002	FREE ARM BASE CUSHION RUBBER	
10	004240146	SET SCREW(M4×15 B)	
11	V880033210	BED COVER	
12	V880043210	HOOK COVER	
13	R12453002	HOOK COVER SPRING	
14	V880063210	SEWING TABLE BODY	
15	V880073210	SEWING TABLE BODY COVER	
#1	V880065210	SEWING TABLE BODY COMPLETE	

PREFISSO "ZS"
 PREFISSO "ZS"

J. ACCESSORIES

STANDARD ACCESSORIES



J. ACCESSORIES

STANDARD ACCESSORIES

NO.	ITEM NO.	NAME	REMARK
1	006806008	ALL PURPOSE FOOT(J)	
2	006905008	ZIPPER FOOT (I)	
3	006909008	BUTTONHOLE FOOT (B)	
4	006914008	BUTTON SEW-ON FOOT	
5	006093009	SCREWDRIVER (L)	
6	006099008	BRUSH & SEAM RIPPER COMPLETE	
7	006013009	OILIER	
8	006014148	NEEDLE (3 PCS FOR 1 PACK)	
9	006008001	QUILTING BAR	
10	006084009	BOBBIN	
11	006117009	EMBROIDERY PLATE	
12	R12373210	SPOOL HOLDER (LARGE)	
13	TA10943210	SPOOL HOLDER (SMALL)	

PREFISSO "ZS" PREFISSO "ZS"

NOTE: WHEN YOU ORDER ANY SPARE PARTS FROM US,
PLEASE COOPERATE WITH US BY WRITING.

- (1) SECTION & SEQUENCE NO.
- (2) NAME OF PARTS
- (3) VOLTAGE, IF NECESSARY
- (4) OTHERS, IF ANY