

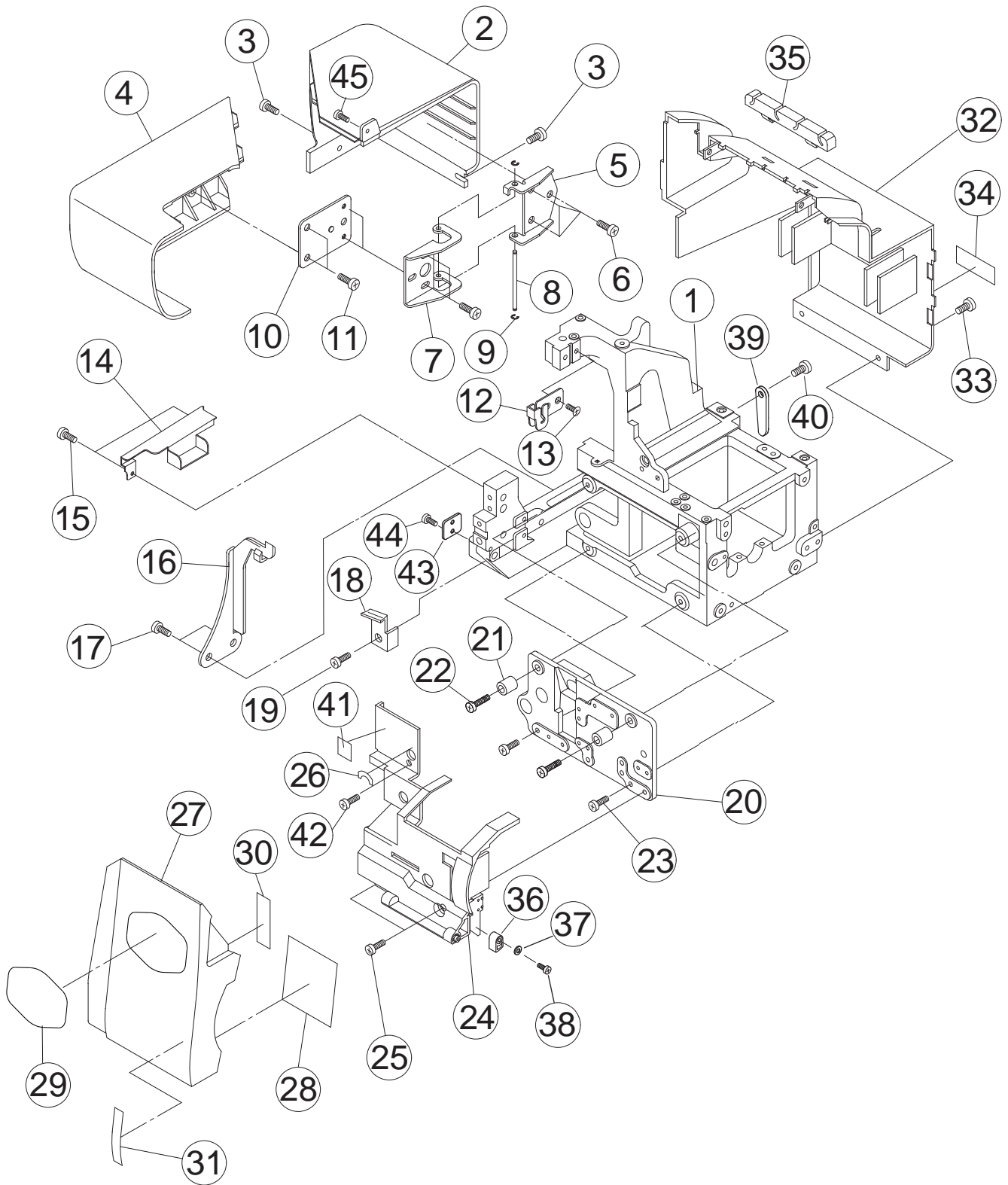
NECCHI

PARTS LIST

MODEL 780

	Serial Numbers
From	001271
To	

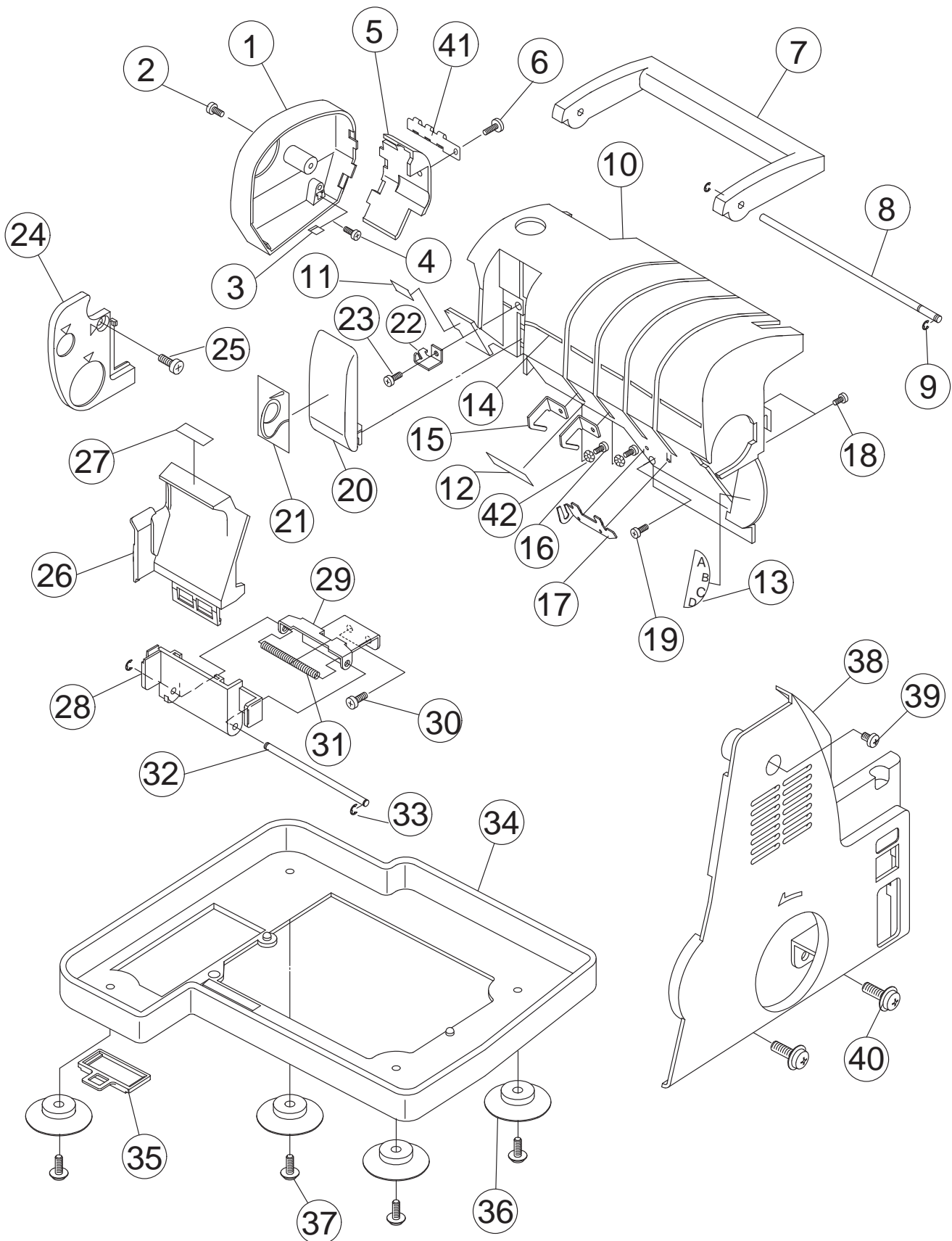
1. ARM BED & COVERS



1.ARM BED & COVERS

NO.	PARTS NUMBER	Q'TY	DESCRIPTION
1	B0101-12A	1	Arm bed
2	B0201-03A-33	1	Side cover
3	RO-SM4008ZU	2	Screw
4	B0201-02A-33	1	Slide cover
5	RO-B0220-01A-P	1	Slide cover hinge (1)
6	RO-SM4008TK	3	Screw
7	RO-B0220-02A-P	1	Slide cover hinge (2)
8	RO-B0210-01A-P	1	Hinge shaft
9	RO-RE030-P	2	E-ring
10	RO-B0220-03A-P	1	Hinge base
11	RO-SM4006TK	2	Screw
12	B1821-01C-C	1	Thread take-up guide plate
13	RO-SM3006KU	2	Screw
14	B0720-01A-P	1	Wire cover
15	RO-SM3005ZU	2	Screw
16	B3821-05A-PY	1	Front & back needle guard
17	RO-SM4008ZU	2	Screw
18	B0221-01A-PY	1	Slide cover stopper
19	RO-SM4008ZU	1	Screw
20	B0104-05A	1	Looper base plate
21	RO-SP4008K	2	Spacer
22	RO-SM4014TK	2	Screw
23	RO-SM4014TK	2	Screw
24	B0204-03A-33	1	Bed cover
25	RO-SM4014TK	2	Screw
26	B6724-01A	1	Overlock looper thread fine tuning seal
27	B0802-08A-33	1	Front cover
28	B0824-48A	1	Threading instruction seal
29	B9924-34A	1	NECCHI seal
30	S6-A65-01A	1	Caution seal for UL (U.S.A)
	TE-A65-01A	1	Caution seal for CSA (CANADA)
	B8024-02B	1	Caution seal for CE (EU)
31	B3424-02A	1	Differential feed range seal
32	B0202-01C-33	1	Rear cover
33	RO-SM4008ZU	2	Screw
34	B9924-30A	1	Serial number seal
35	B0205S07A	1	Head thread guide
36	B7786-01A	1	Micro switch lever 1
37	RO-WP2505MK	1	Washer
38	RO-ST20042K	1	Screw
39	B7621-01A	3	Wiring staple
40	RO-SM4010NK	3	Screw
41	S7-A64-02C	1	Lamp seal
42	RO-SM4008ZU	1	Screw
43	B2940-04B-P	1	Side cover stopper
44	RO-SM4008ZU	1	Screw
45	RO-SM3008ZU	1	Screw

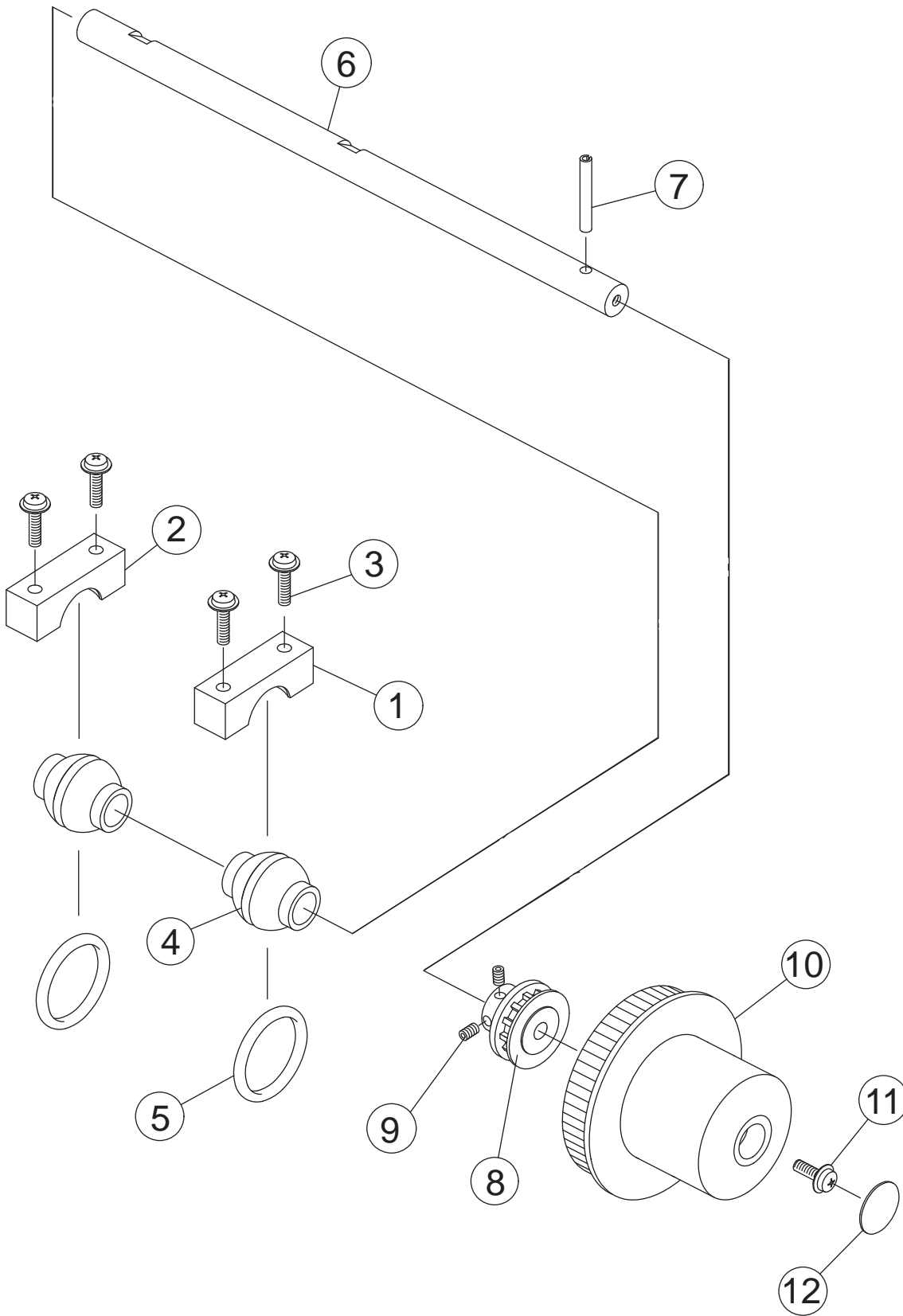
2. FACE PLATE & COVERS



2.FACE PLATE & COVERS

NO.	PARTS NUMBER	Q'TY	DESCRIPTION
1	B0203-03A-33	1	Arm cover
2	RO-ST3010NU	1	Screw
3	B6920-01A	1	Thread cutter blade
4	RO-ST3006IK	1	Screw
5	B0203-04A-33	1	Back arm cover
6	RO-SM3008ZU	1	Screw
7	B0601-01A-33	1	Handle
8	B0603-01A-P	1	Handle shaft
9	RO-RE030-P	2	E-ring
10	B1001-06A-33	1	Face cover
11	B1024-06A	1	Chain needle seal
12	B1024-05A	1	Overlock needle seal
13	B6824-04A	1	Selector seal
14	B1024-03A	1	Face cover seal
15	B6120-03A-P	2	Thread guide
16	RO-ST3006IK	2	Screw
17	B6121-03A-C	1	Face cover thread guide
18	RO-SM3005ZU	2	Screw
19	RO-SM4008ZU	1	Screw
20	B1002-08A-33	1	Thread take-up cover
21	B1024-02A	1	Thread take-up cover seal
22	B1821-02B-C	1	Overlock thread take-up guide
23	RO-SM3008ZU	1	Screw
24	B0401-06A-33	1	Knife holder cover (Y2003 No. 000251 -)
25	RO-SM4008ZU	1	Screw
26	B0401-04A-33	1	Knife cover
27	B0424-04A	1	Margin gauge seal
28	B0402-01A-33	1	Knife cover base
29	RO-B0421-02A-P	1	Knife cover hinge
30	RO-SM4008ZU	2	Screw
31	B0450-02A	1	Spring
32	RO-B0403-01A-P	1	Knife cover hinge shaft
33	RO-RE030-P	2	E-ring
34	B0301-01B-33	1	Base plate
35	B0302-01A-33	1	Base plate door
36	615-1104-01A	4	Rubber cushion
37	RO-ST4012YK	4	Screw
38	B0501-01B-33	1	Belt cover
39	RO-SM4010XK	1	Screw
40	RO-SM4008ZU	2	Screw
41	B6175-01A-C	1	Chain needle thread guide
42	RO-WT306505U1	2	Washer

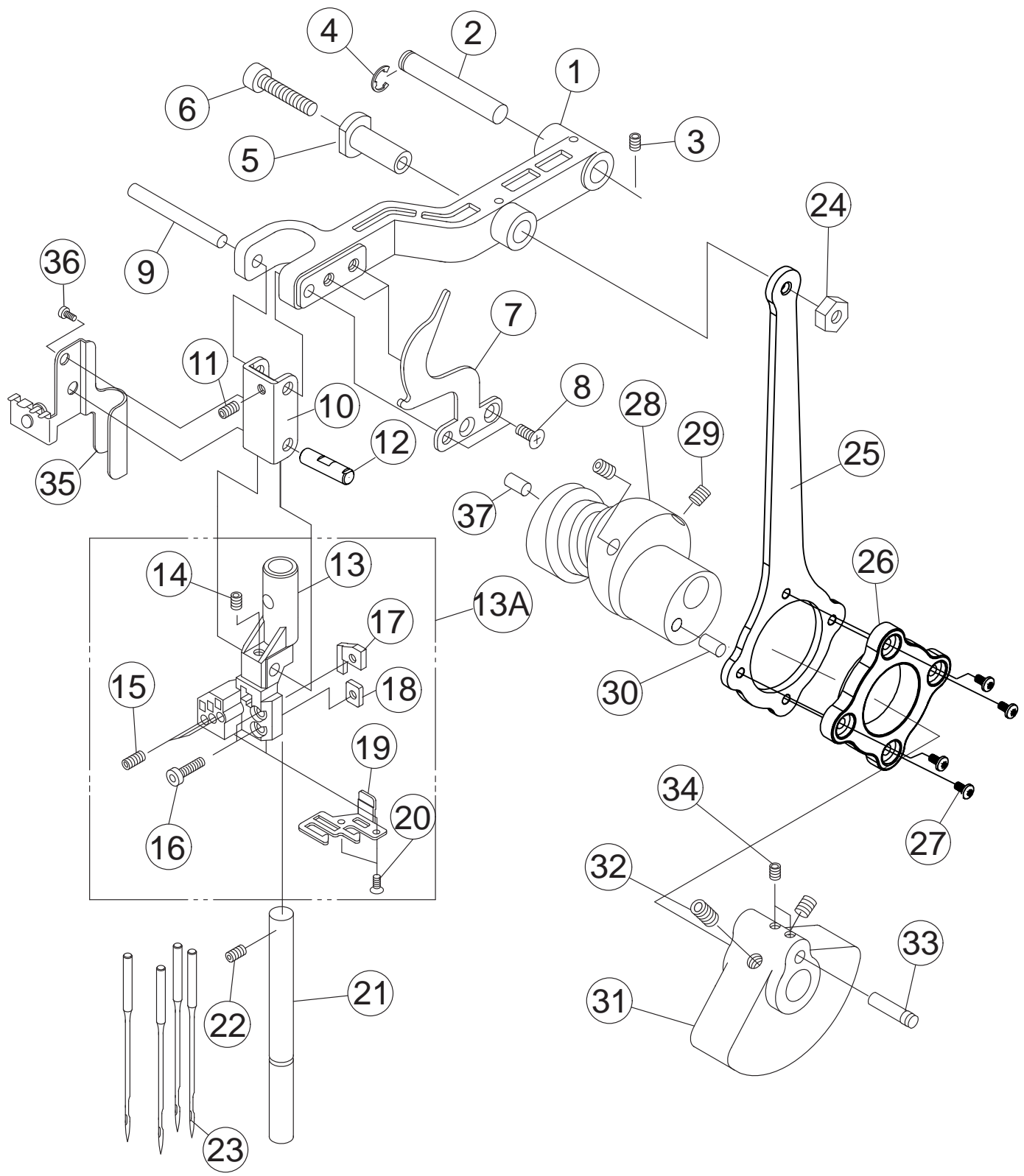
3. MACHINE PULLEY COMPONENTS



3.MACHINE PULLEY COMPONENTS

<u>NO.</u>	<u>PARTS NUMBER</u>	<u>Q'TY</u>	<u>DESCRIPTION</u>
1	B0105-01A	1	Bush cap (Right)
2	B0105-02A	1	Bush cap (Left)
3	RO-SM4020NK	4	Screw
4	B1305-01A	2	Driving shaft bush
5	B1392-01A	2	O-ring
6	B1303-02A	1	Driving shaft
7	RO-PS2520WP	1	Pin
8	B6778T02A	1	Timing pulley
9	RO-SM4004FY	2	Screw
10	B1201-02A-33	1	Pulley (Timing)
11	RO-SM4008EK6	1	Screw
12	B1224-01A	1	Pulley seal

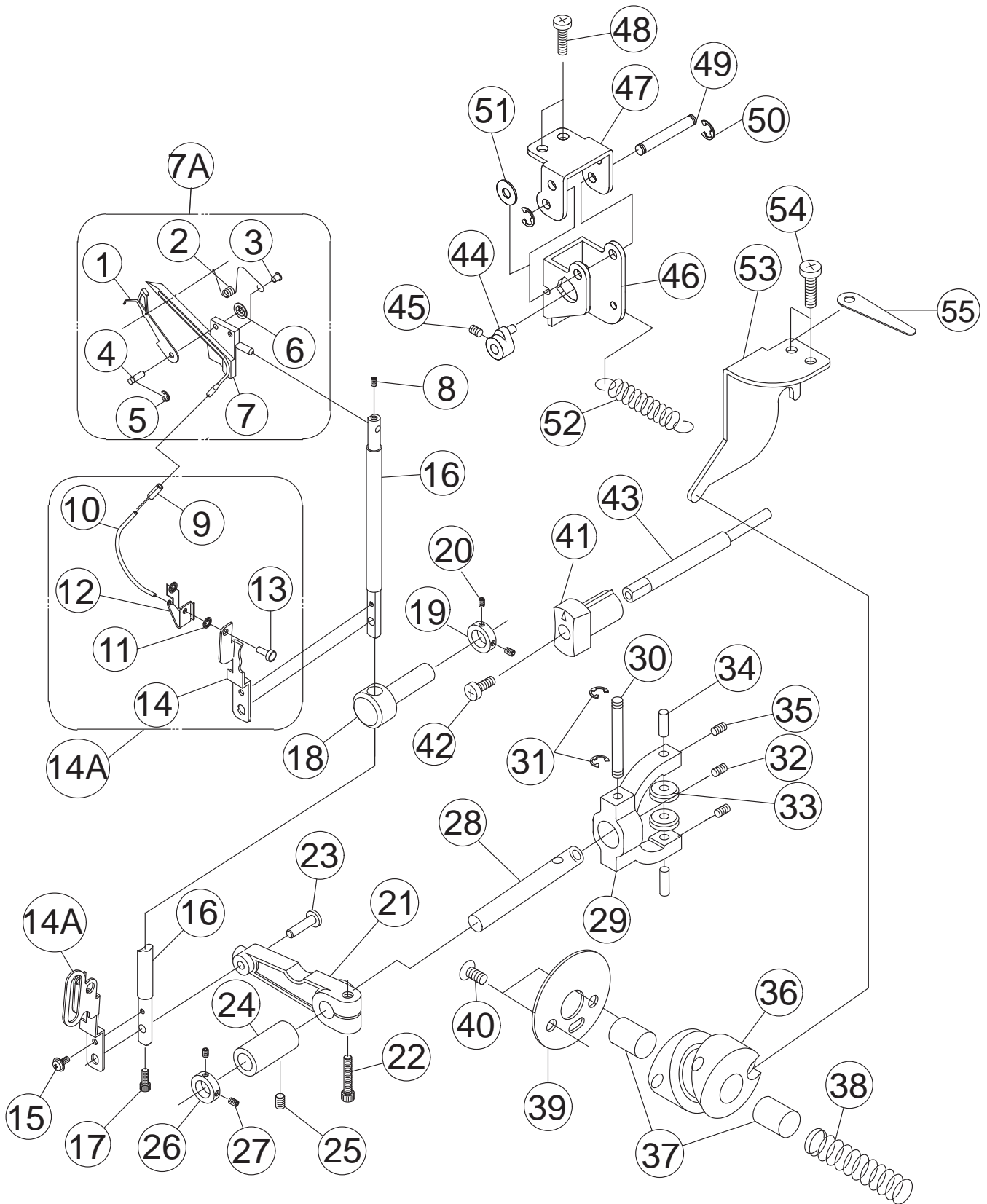
4. NEEDLE BAR COMPONENTS



4.NEEDLE BAR COMPONENTS

NO.	PARTS NUMBER	QTY	DESCRIPTION
1	B1615-02A	1	Needle driving arm
2	B1603-01A-PY	1	Needle driving arm shaft
3	RO-SM4004FY	1	Screw
4	RO-RE050-P	1	E-ring
5	B1604-01A-OY	1	Needle height adjuster
6	RO-SM4025CY	1	Screw
7	B1820-02A-C	1	Needle thread take-up
8	RO-SM3006KU	2	Screw
9	B1603-02A-PY	1	Connecting pin
10	RO-B1661-01E-U	1	Needle clamp link
11	RO-SM3004WY	1	Screw
12	B1603-05A-PY	1	Needle clamp link pin
13	B1901-05A-C	1	Needle clamp holder
13A	B1925S01A	1	Needle clamp holder set of 13 - 20
14	RO-SM3004WY	1	Screw
15	RO-SM3004VY	3	Chain needle fixing screw
16	RO-SM2606CY	2	Overlock needle fixing screw
17	B1920-05A-PY	1	Needle fixing screw holder plate(L)
18	B1920-04A-PY	1	Needle fixing screw holder plate(R)
19	B1921-02B-C	1	Clamp holder thread guide
20	RO-SC2030NY	2	Screw
21	B1903-02A-PY	1	Needle bar
22	RO-SM4008FY	1	Screw
23	ELx705CF #14	2	ORGAN ELx705CF needle #14/90
24	RO-NM40H1K	1	Nut
25	B1620-06A-P	1	Needle driving rod
26	B1626-03A	1	Driving rod holder
27	RO-SM3006EU	4	Screw
28	B2542-06A	1	Lower looper driving cam
29	RO-SM4004FY	2	Screw
30	RO-PW4014W	1	Pin
31	B1627-01B	2	Balancer
32	RO-SM4004FY	2	Screw
33	B2455-03A-OY	1	Pin
34	RO-SM3003FY	2	Screw
35	B1923S01A	1	Needle clamp thread guide
36	RO-SM3005ZU	1	Screw
37	RO-PW2510W	1	Pin

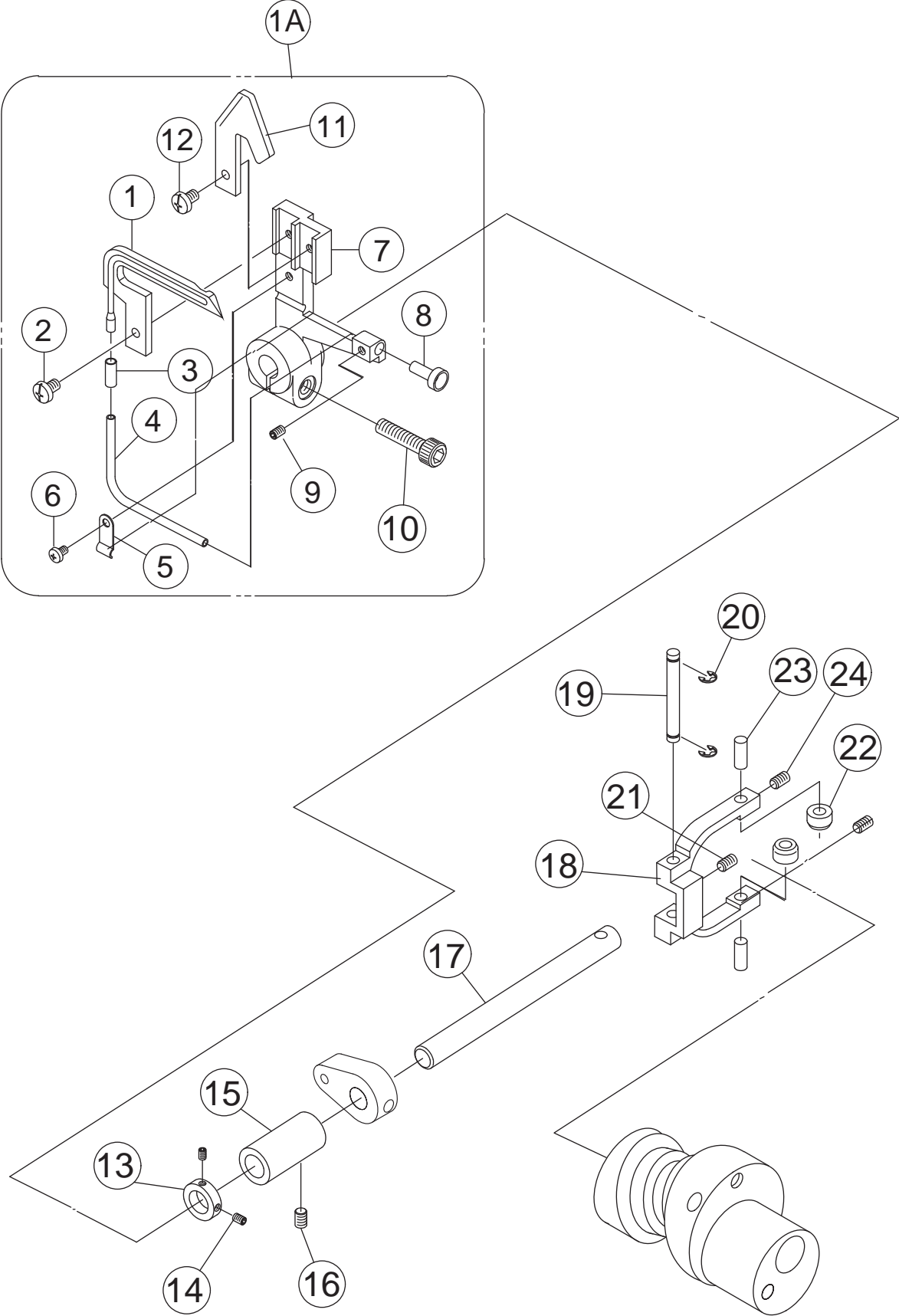
5. UPPER LOOPER COMPONENTS



5. UPPER LOOPER COMPONENTS

NO.	PARTS NUMBER	QTY	DESCRIPTION
1	B2321-02B-PY	1	Subsidiary looper
2	B2354-01A	1	Subsidiary looper spring
3	RO-HH38254	1	Spacer
4	B2303-01A-P	1	Subsidiary looper pin
5	RO-RE020-P	1	E-ring
6	RO-RP024EP	1	Push ring
7	B2201S05A	1	Upper looper
7A	B2201A03B	1	Upper looper set of 1 - 7
8	RO-SM4005OY	1	Screw
9	B5836-02A	1	Holding rubber pipe
10	B2411-03A	1	Upper looper threading joint pipe
11	RO-RS024EP	2	Push ring
12	B2420-02A-PY	1	Joint pipe fixing plate
13	B5825-08A	1	Threading pipe joint
14	B6221-03A-C	1	Looper thread take-up
14A	B6221A02A	1	Looper thread take-up set of 9 - 14
15	RO-SM3008ZY	1	Screw
16	B2403-03C-PY	1	Upper looper fixing shaft
17	RO-SM3006CY	1	Screw
18	B2406-01A-PY	1	Upper looper fixing shaft pivot
19	B8835-02A-P	1	Thrust collar
20	RO-SM4004FY	2	Screw
21	B2415-02A	1	Upper looper driving arm
22	RO-SM5016CY	1	Screw
23	C1956-01A-OY	1	Looper driving arm joint pin
24	B2405-01A	1	Looper driving shaft bush
25	RO-SM4005VY	1	Screw
26	B8835-02A-P	1	Thrust collar
27	RO-SM4004FY	2	Screw
28	B2403-01A	1	Looper driving fork shaft
29	B2483-04A	1	Driving cam fork
30	B2455-02B-OY	1	Joint pin
31	RO-RE030-P	2	E-ring
32	RO-SM4004WY	1	Screw
33	B2487-02B	2	Cam roller
34	AM-H21-03A	2	Roller pin
35	RO-SM3004WY	2	Screw
36	B2442-05B	1	Upper looper driving cam
37	B2405-02B	2	Bush
38	B1350-01A	1	Spring
39	B2421-04A-P	1	Upper looper driving cam connecting plate
40	RO-SM3006KK	2	Screw
41	B2488-01A-33	1	Upper looper selector knob
42	RO-SM3006XC	1	Screw
43	B2403-04A-P	1	Selector shaft
44	B4340-01A-N	1	Selector cam
45	RO-SM3004WY	1	Screw
46	B2421-02B-P	1	Cam separating plate
47	B2421-01A-P	1	Separating plate holder
48	RO-SM4008ZU	2	Screw
49	B2455-02B-PY	1	Pin
50	RO-RE030-P	2	E-ring
51	RO-WP4008MK	1	Washer
52	B1351-01A	1	Spring
53	B2421-03A-P	1	Upper looper cam holding plate
54	RO-SM4008ZU	2	Screw
55	B7621-01A	1	Wiring staple

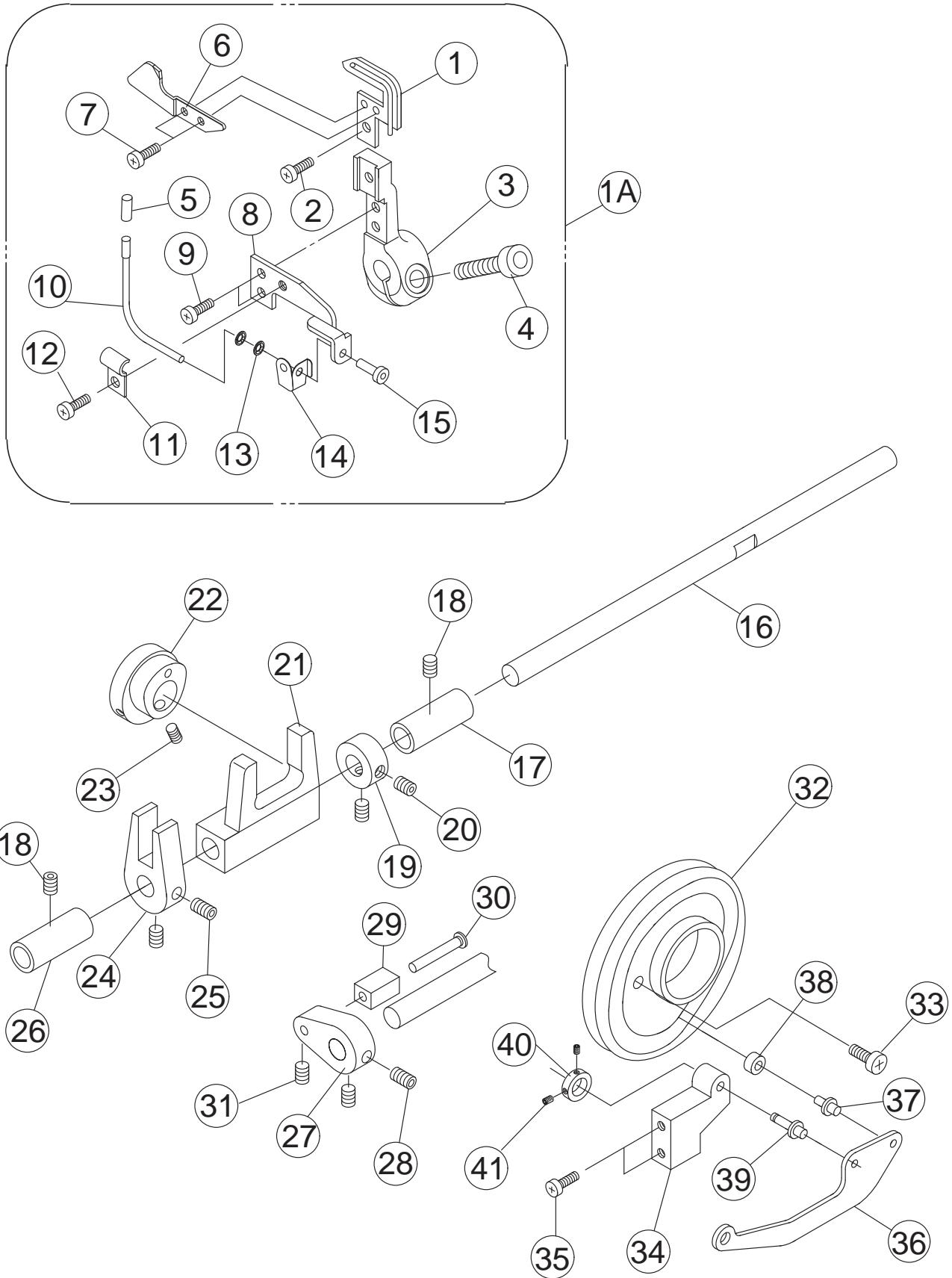
6. LOWER LOOPER COMPONENTS



6. LOWER LOOPER COMPONENTS

<u>NO.</u>	<u>PARTS NUMBER</u>	<u>Q'TY</u>	<u>DESCRIPTION</u>
1	B2202S03A	1	Lower looper
1A	B2501A02A	1	Lower looper set of 1 - 12
2	RO-SM3008ZY	1	Screw
3	B5836-02A	1	Holding rubber pipe
4	B2511-02A	1	Lower looper arm pipe
5	B2520-01A-P	1	Joint pipe fixing plate
6	RO-SM3005ZU	1	Screw
7	B2530-03C	1	Lower looper arm
8	B5825-08A	1	Threading pipe joint
9	RO-SM3004WY	1	Screw
10	RO-SM5016CY	1	Screw
11	B3821-03A-PY	1	Overlock back needle guard
12	RO-SM3005ZU	1	Screw
13	B8835-02A-P	1	Thrust collar
14	RO-SM4004FY	2	Screw
15	B2405-01A	1	Looper driving shaft bush
16	RO-SM4005VY	1	Screw
17	B2503-02A	1	Looper driving fork shaft
18	B2483-05A	1	Looper driving cam folk
19	B2455-02B-OY	1	Joint pin
20	RO-RE030-P	2	E-ring
21	RO-SM4004WY	1	Screw
22	B2487-02B	2	Cam roller
23	AM-H21-03A	2	Roller pin
24	RO-SM3004WY	2	Screw

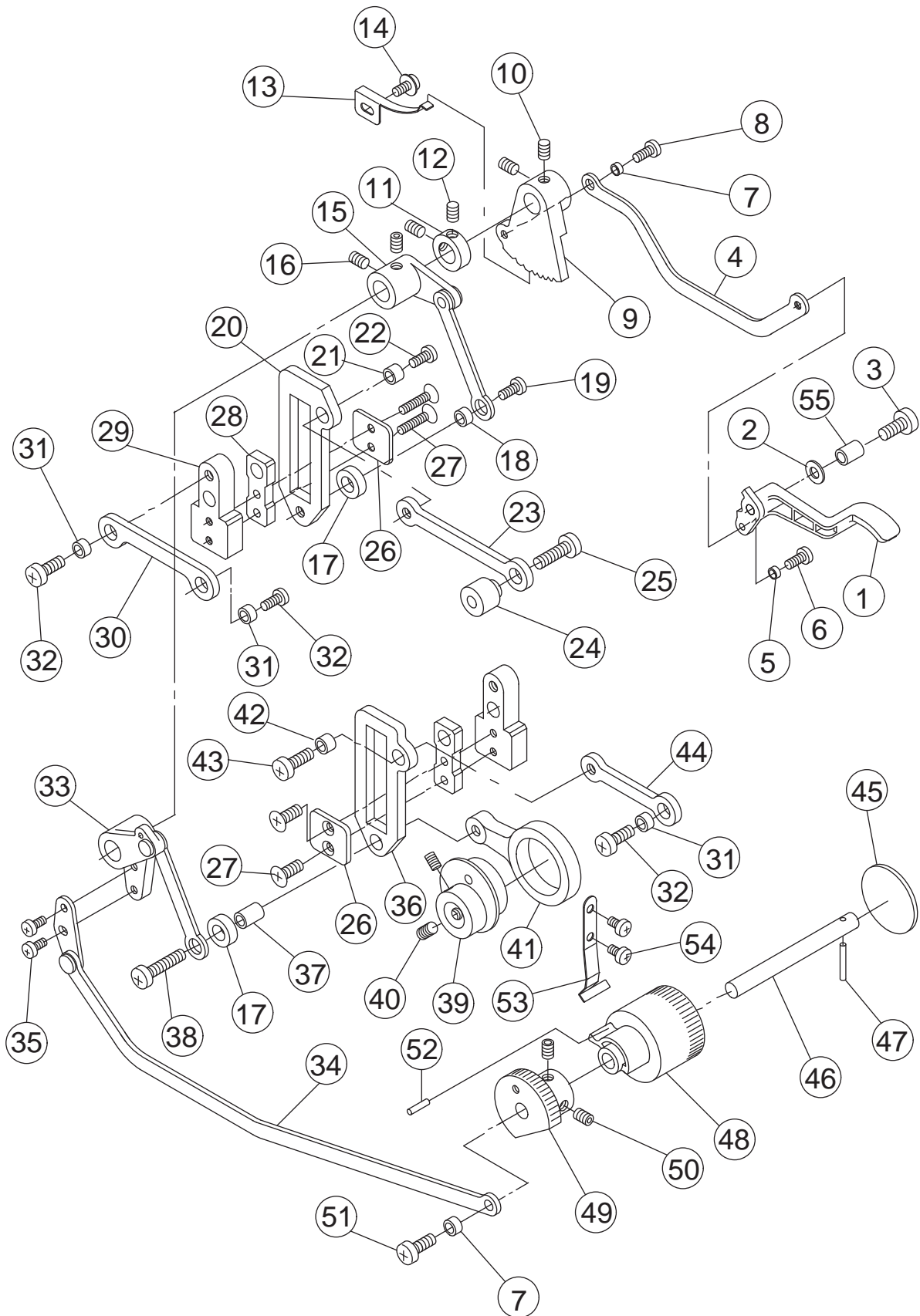
7. CHAIN LOOPER COMPONENTS



7. CHAIN LOOPER COMPONENTS

NO.	PARTS NUMBER	Q'TY	DESCRIPTION
1	B2203S01A	1	Chain looper
1A	B2601A01A	1	Chain looper set (1 - 15)
2	SM3005ZY	1	Screw
3	B2630-01A	1	Chain looper arm
4	SM5016CY	1	Screw
5	B5836-02A	1	Holding rubber pipe
6	B3821-04A-PY	1	Chain looper front needle guard
7	SM2504NU	2	Screw
8	RO-B2320-01A-U	1	Joint pipe holding plate
9	SM3005ZU	2	Screw
10	B2611-01A	1	Chain looper arm pipe
11	B2520-01A-P	1	Joint pipe fixing plate
12	SM3003NK	1	Screw
13	RS024EP	2	Push ring
14	B2420-02A-PY	1	Joint pipe fixing spring
15	B5825-08A	1	Threading pipe joint
16	B2603-01A	1	Chain looper shaft
17	407-6303-04C	1	Chain looper shaft rear bush
18	SM4005VY	2	Screw
19	B8835-02A-P	1	Thrust collar
20	SM4004FY	2	Screw
21	B2683-01A	1	Chain looper driving fork
22	B2640-01A	1	Chain looper driving cam
23	SM4004FY	1	Screw
24	B2683-02A	1	Chain looper connecting fork
25	SM4004FY	2	Screw
26	B2405-01A	1	Chain looper shaft front bush
27	B2615-01A	1	Chain looper connecting arm
28	SM4004FY	2	Screw
29	B2685-01A	1	Chainlooper connecting block
30	B2603-02A-OY	1	Pin
31	SM3003FY	1	Screw
32	B2642-01B	1	Chain looper thread take up cam
33	SM4012BP	1	Screw
34	B2625-01A	1	Thread take up base plate
35	SM3008ZY	2	Screw
36	B1820-04A-C	1	Chain looper thread take up
37	B1803-02A-P	1	Roller pin
38	B6787-01A	1	Roller
39	B1803-03B-P	1	Pin
40	B8835-05A-P	1	Thrust collar
41	SM3003FY	1	Screw

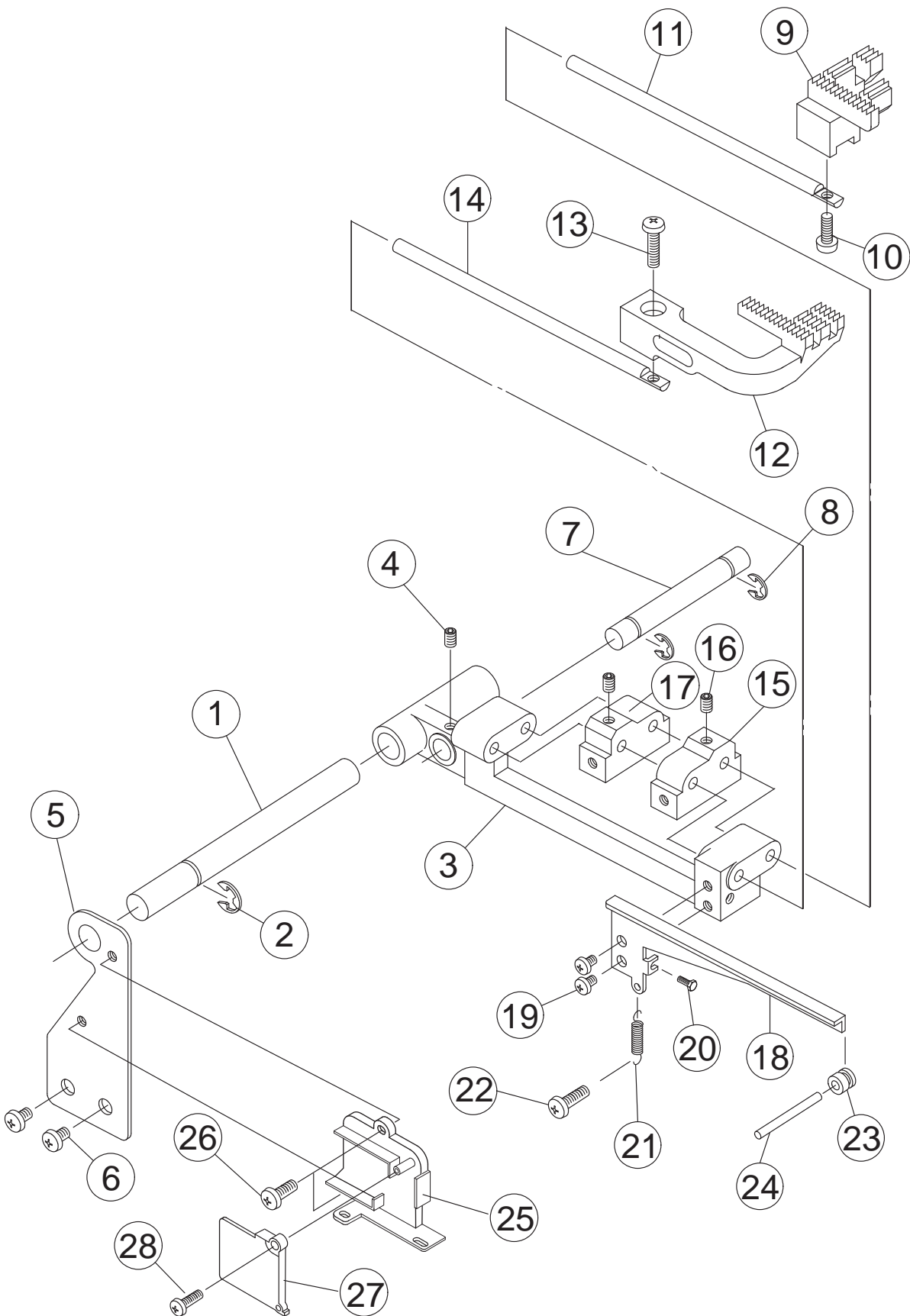
8-1. DIFFERENTIAL FEED & STITCH LENGTH COMPONENTS



8-1. DIFFERENTIAL FEED & STITCH LENGTH COMPONENTS

NO.	PARTS NUMBER	Q'TY	DESCRIPTION
1	B3465-01A-33	1	Differential feed adjusting lever
2	RO-WP3005MU	1	Washer
3	RO-SM3010ZU	1	Screw
4	B3420-01A-P	1	Differential feed lever link
5	RO-SP3006K	1	Spacer
6	RO-ST3008SK	1	Screw
7	RO-SP3002K	2	Spacer
8	RO-ST3008SK	1	Screw
9	B3415-02A	1	Differential feed positioning ratchet
10	RO-SM4004WY	2	Screw
11	B8835-04A-P	1	Thrust collar
12	RO-SM4004FY	2	Screw
13	B3453-01A-PY	1	Ratchet stopper spring
14	RO-ST3008SK	1	Screw
15	B3415S01A	1	Feed dog adjusting set
16	RO-SM4004FY	2	Screw
17	B8837-06A-P	2	Spacer
18	B8837-07A-P	1	Spacer
19	RO-SM4008ZU	1	Screw
20	B3325-02A	1	Sub-feed dog slider
21	B8837-03A-P	1	Spacer
22	RO-SM4008ZU	1	Screw
23	B3361-01A-P	1	Differential feed joint link
24	B3337-01A-P	1	Spacer
25	RO-SM4014TK	1	Screw
26	B2920-04A-P	2	Feed dog driving arm plate
27	RO-SM3010KK	4	Screw
28	B2986-01A	2	Feed dog sliding block
29	B2915-02A	2	Feed dog driving arm
30	B3361-02A-P	1	Feed dog connecting link
31	B8837-04A-P	3	Spacer
32	RO-SM4008ZU	3	Screw
33	B3115S02A	1	Stitch length adjusting arm set
34	B3120S01A	1	Stitch length adjusting link
35	RO-ST3008SK	2	Screw
36	B2925-03A	1	Main feed dog slider
37	B8837-01A-P	1	Spacer
38	RO-SM4014TK	1	Screw
39	B2940-01A	1	Feed rod driving cam
40	RO-SM4004FY	2	Screw
41	B2912-01A	1	Feed rod
42	B8837-03A-P	1	Spacer
43	RO-SM4008ZU	1	Screw
44	B2961-01A-P	1	Feed dog driving link
45	B3124-01B	1	Stitch length dial seal
46	RO-B3103-01A-P	1	Stitch length dial shaft
47	RO-PS2018WP	1	Pin
48	B3189-01A-33	1	Stitch length dial
49	B3125-01B	1	Stitch length positioning ratchet
50	RO-SM4004FY	2	Screw
51	RO-ST3008SK	1	Screw
52	RO-PS3512WP	1	Pin
53	B3153-01A-PY	1	Stitch length ratchet stopper
54	RO-SM3005ZU	2	Screw
55	RO-SP3006K	1	Spacer

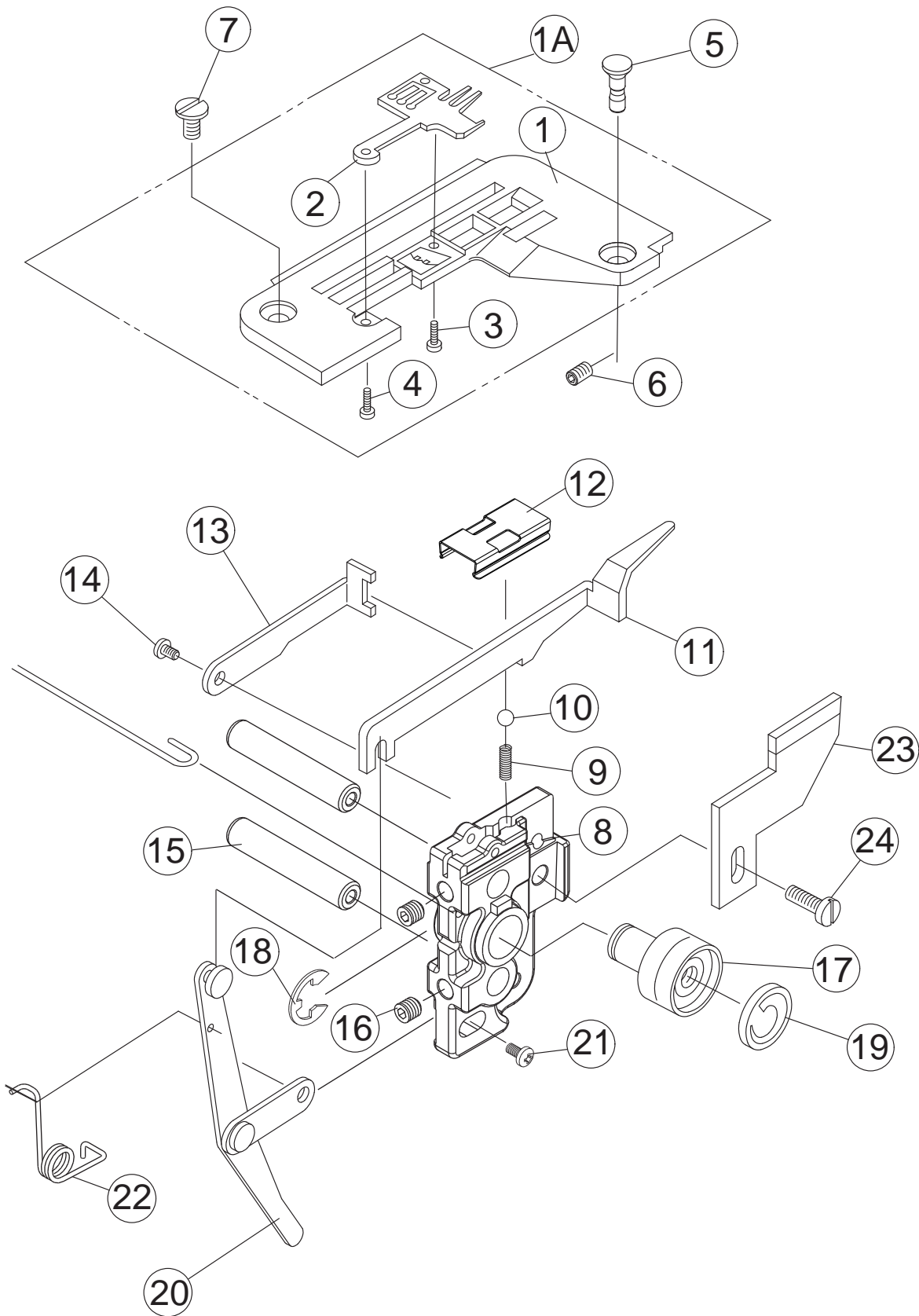
8-2. DIFFERENTIAL FEED MECHANISM COMPONENTS



8-2. DIFFERENTIAL FEED & STITCH LENGTH COMPONENTS

NO.	PARTS NUMBER	Q'TY	DESCRIPTION
1	B2903-04A	1	Feed arm shaft
2	RO-RE070-P	1	E-ring
3	B2930-04B	1	Feed arm
4	RO-SM4004FY	1	Screw
5	B2920-03B-P	1	Feed arm shaft plate
6	RO-SM4008ZU	2	Screw
7	B2903-01B-PY	1	Driving arm shaft
8	RO-RE050-P	2	E-ring
9	B3025-04A-C	1	Main feed dog
10	RO-SM3010NK4	1	Screw
11	B2903-11A	1	Main feed dog shaft
12	B3025-05A-C	1	Sub feed dog
13	RO-SM3012NK	1	Screw
14	B3303-02A	1	Sub feed dog shaft
15	B2925-02B	1	Feed dog driving block (1)
16	RO-SM4004WY	2	Screw
17	B2926-02A	1	Feed dog driving block (2)
18	B2921-03B-PY	1	Feed arm plate
19	RO-SM4008ZU	2	Screw
20	RO-SM3008BK	1	Screw
21	B2951-02A	1	Spring
22	RO-SM4010NK	1	Screw
23	B2987-02A-PY	1	Feed arm plate roller
24	B2903-03A-PY	1	Feed arm plate roller shaft
25	B7730-03A	1	Micro switch base
26	RO-SM3005ZU	2	Screw
27	B7715-03A	1	Micro switch lever 2
28	RO-ST3006IK	1	Screw

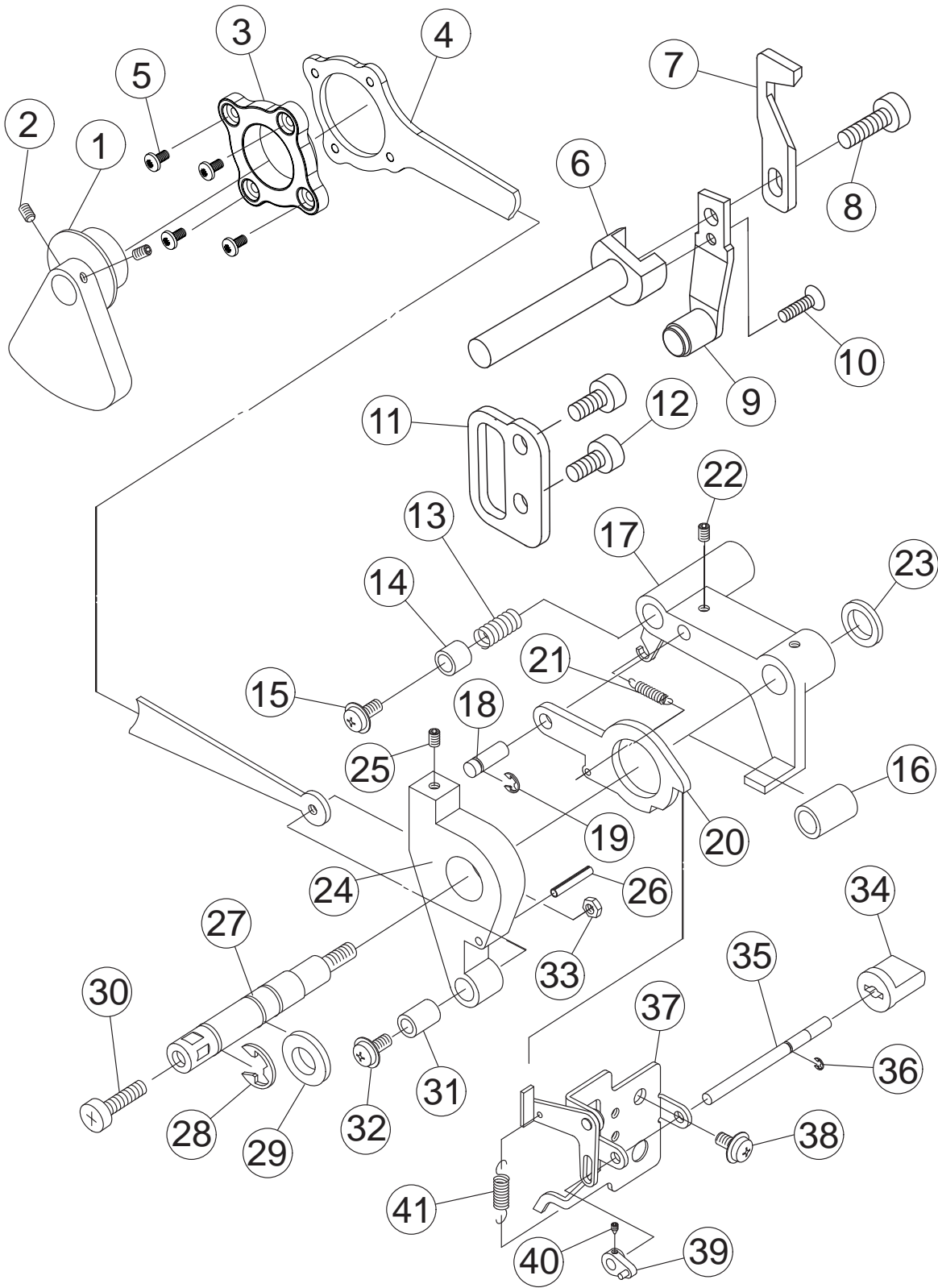
9. NEEDLE PLATE & STITCH WIDTH COMPONENTS



9. NEEDLE PLATE & STITCH WIDTH COMPONENTS

<u>NO.</u>	<u>PARTS NUMBER</u>	<u>Q'TY</u>	<u>DESCRIPTION</u>
1	B3701-03A-C	1	Needle plate
1A	B3720S03A	1	Needle plate set of 1 - 4
2	B3721-05B-OY	1	Needle plate finger
3	RO-SC2035NY	1	Screw
4	RO-SC2030NY	1	Screw
5	RO-B3756-01A-UY	1	Needle plate clamp pin
6	RO-SM3004WY	1	Screw
7	RO-SM4006ZC	1	Screw
8	B4730-02B	1	Knife holder (Y2003 No. 000251 -)
9	B4750-02A	1	Spring
10	208-5102-05A	1	Steel ball
11	B4721-04A-PY	1	Adjusting chaining tongue
12	B4770-01A-PY	1	Chaining tongue holder cap (Y2003 No. 000251 -)
13	B4721-03A-PY	1	Chaining tongue holder
14	RO-SM3005ZU	1	Screw
15	B4755-02A-P	2	Holder shaft (Y2003 No. 000251 -)
16	B4730-02A	2	Screw (Y2003 No. 000251 -)
17	B4789-01B-33	1	Stitch width adjusting dial
18	RO-RE080-P	1	E-ring
19	B4789T01A-33	1	Stitch width dial cap
20	B4765K02A	1	Chaining tongue lever set (Y2003 No. 000251 -)
21	RO-SM4008ZU	1	Screw
22	B4752-02A	1	Lever spring (Y2003 No. 000251 -)
23	B4471-02A	1	Lower knife
24	RO-SM4008HS	1	Screw

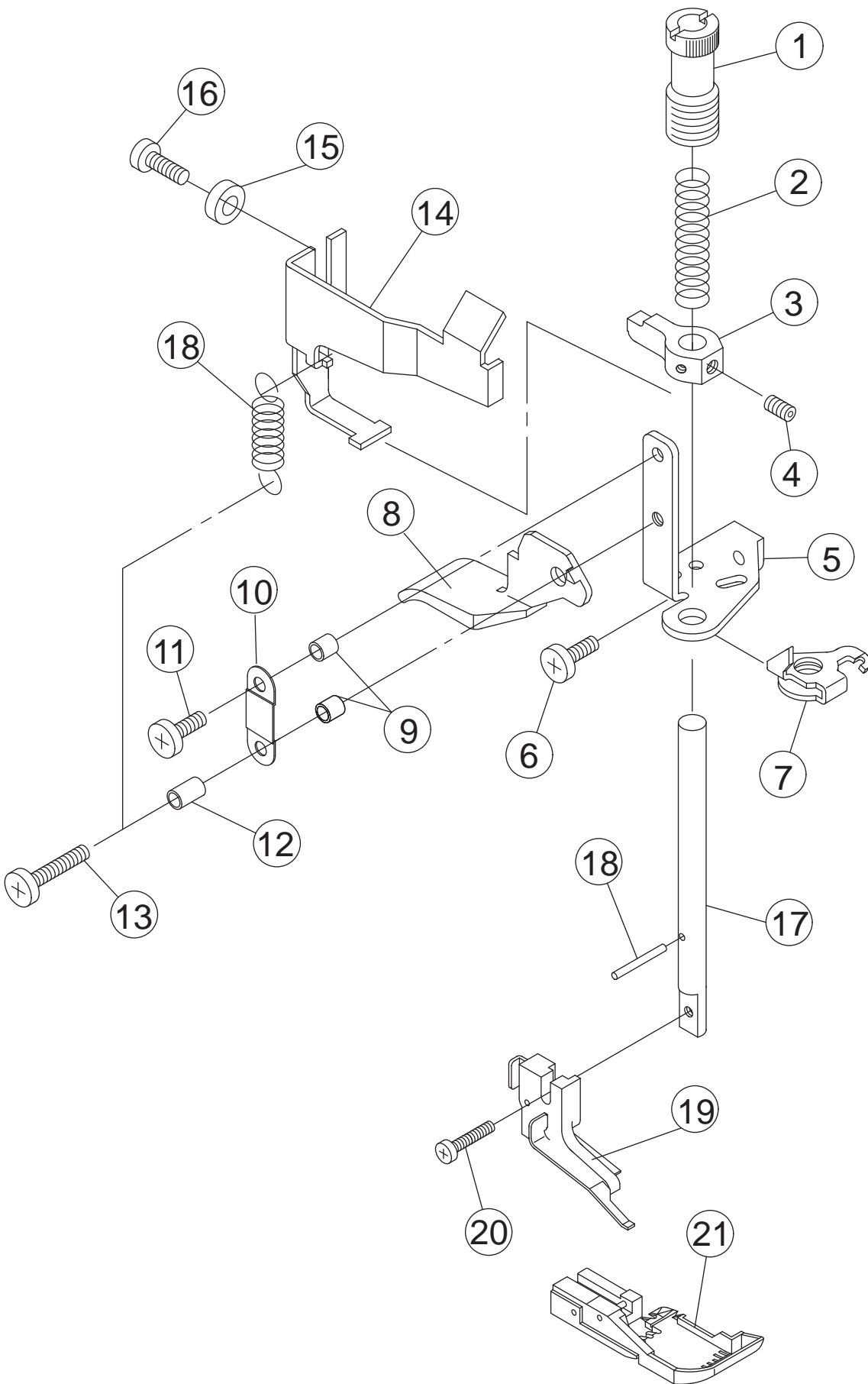
10. UPPER KNIFE DRIVING COMPONENTS



10. UPPER KNIFE DRIVING COMPONENTS

NO.	PARTS NUMBER	Q'TY	DESCRIPTION
1	B4240-01A	1	Knife driving cam
2	RO-SM4004FY	2	Screw
3	B1626-03A	1	Driving rod holder
4	B4220-10A-P	1	Knife driving rod
5	RO-SM3006EU	4	Screw
6	B4230-01B-PY	1	Upper knife holder
7	B4401-01B-OY	1	Upper knife
8	RO-SM4008HS	1	Screw
9	B4220S01A	1	Knife guide arm set
10	RO-SM2605KK	1	Screw
11	B4220-07A-PN	1	Knife guide plate
12	RO-SM4008ZU	2	Screw
13	B4250-01A	1	Upper knife holder spring
14	B4237-01A	1	Upper knife holder bush
15	RO-SM4006TK	1	Screw
16	B4205-02A	1	Bush
17	B4215-04C	1	Knife driving connecting arm
18	B4255-01A-PY	1	Knife driving plate pin
19	RO-RE030-P	1	E-ring
20	B4220-02B-PY	1	Knife driving plate
21	B4351-01A	1	Spring
22	RO-SM4004FY	1	Screw
23	RO-WF801505	1	Spacer
24	B4215-01A	1	Knife driving arm
25	RO-SM4004FY	1	Screw
26	RO-PS3512WP	1	Pin
27	B4203-05A-OY	1	Knife driving shaft
28	RO-RE070-P	1	E-ring
29	RO-WP801612K	1	Spacer
30	RO-SM4006TK	1	Screw
31	B8837-05A-P	1	Spacer
32	RO-SM4014TK	1	Screw
33	RO-NM40H1K	1	Nut
34	B4388-01A-33	1	Knife position selector knob
35	B4303-01A-P	1	Selector shaft
36	RO-RE030-P	1	E-ring
37	B4365S02A	1	Knife driving joint lever set
38	RO-SM4008ZU	1	Screw
39	B4340-01A-N	1	Selector cam
40	RO-SM3004WY	1	Screw
41	B4351-02A	1	Spring
42	RO-SM4012KK	1	Screw
43	RO-NM40H1K	1	Nut

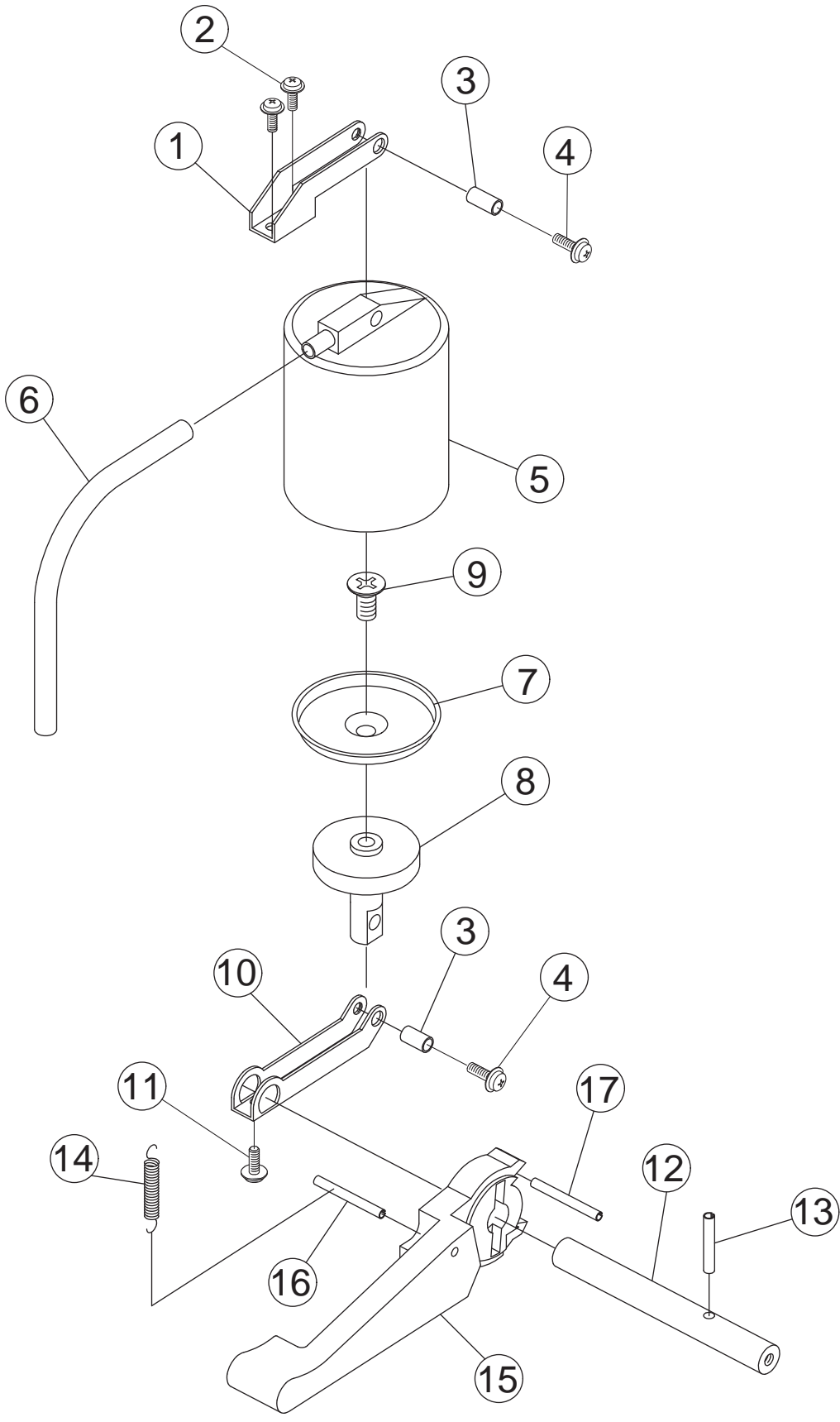
11. PRESSER FOOT COMPONENTS



11. PRESSER FOOT COMPONENTS

<u>NO.</u>	<u>PARTS NUMBER</u>	<u>Q'TY</u>	<u>DESCRIPTION</u>
1	B5101-01A-33	1	Pressure adjuster screw
2	B5150-01A	1	Presser bar spring
3	B5125-01B	1	Presser bar clamp
4	RO-SM4004WY	1	Screw
5	B5121-01B-P	1	Presser bar fixing plate
6	RO-SM4008ZU	1	Screw
7	B6743-03A-PY	1	Thickness sencer cam
8	B5165-02A-33	1	Presser bar lifter
9	RO-SP4005K	2	Spacer
10	B5120-01A-P	1	Presser bar clamp guide
11	RO-SM4014NK	1	Screw
12	RO-SP4005K	1	Spacer
13	RO-SM4014NK	1	Screw
14	B6072-02A-PY	1	Chain disk release plate
15	RO-SP3016K	1	Spacer
16	RO-SM3008NK7	1	Screw
17	B5103-01B	1	Presser bar
18	RO-PS2018WP	1	Pin
19	B5001S05B	1	Presser foot holder set (No.100301-)
20	RO-SM3008ZU	1	Screw
21	B5001S06B	1	Presser foot (No.100301-)

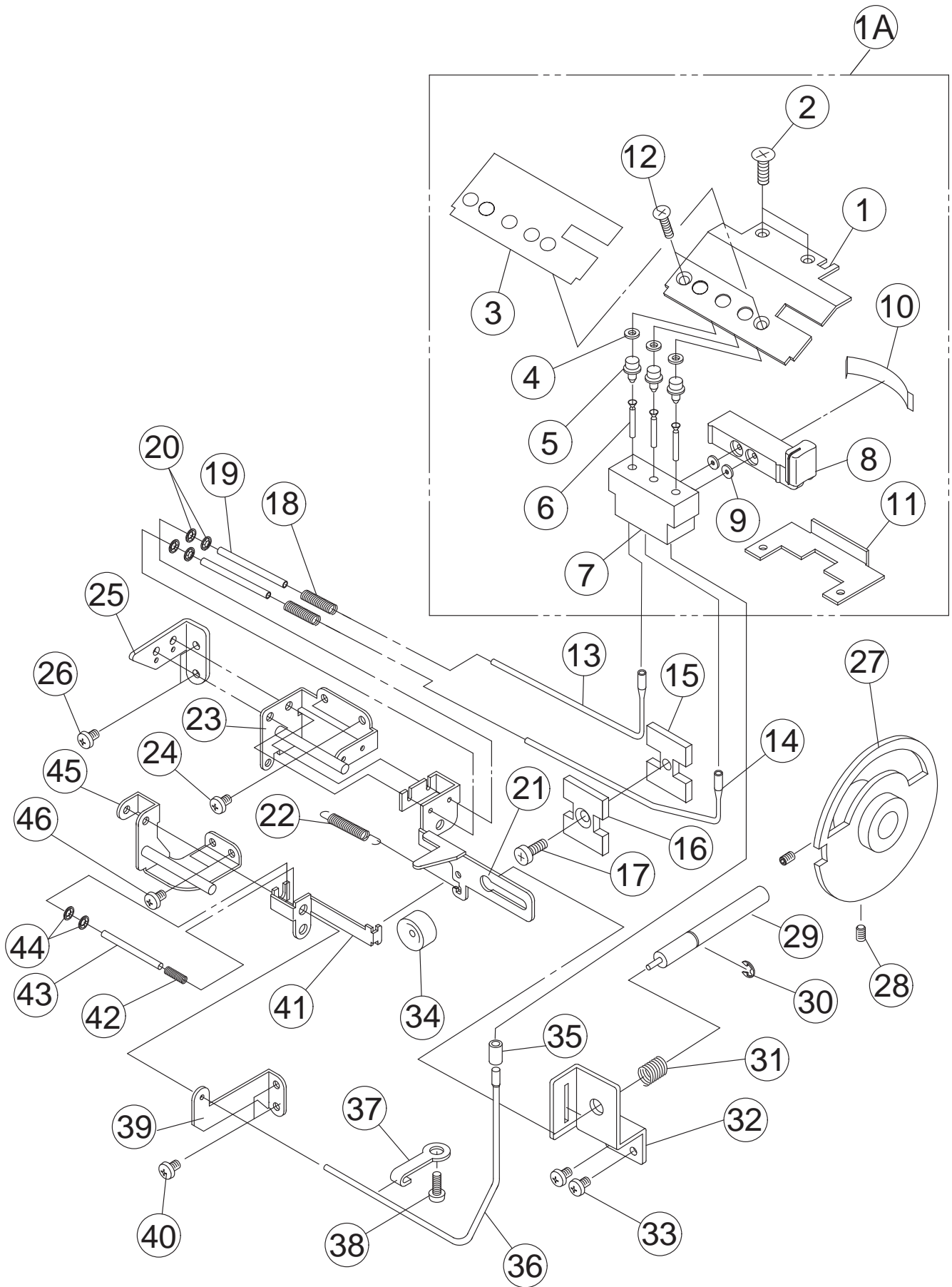
12. PUMP COMPONENTS



12. PUMP COMPONENTS

<u>NO.</u>	<u>PARTS NUMBER</u>	<u>Q'TY</u>	<u>DESCRIPTION</u>
1	B5821-02A-P	1	Pump holder
2	RO-ST3008SK	2	Screw
3	RO-SP3008K	1	Spacer
4	RO-SM3012NK	1	Screw
5	B5825-04B	1	Pump cylinder
6	B5891-04A	1	Pump cylinder tube
7	B5825-03A	1	Piston cap
8	B5825-02A	1	Pump cylinder piston
9	RO-ST5012KK	1	Screw
10	B5821-01A-P	1	Piston driving arm
11	RO-SM3005ZU	1	Screw
12	RO-B5803-01A-P	1	Piston driving shaft
13	RO-PS2014WP	1	Pin
14	B5851-01A	1	Spring
15	B5865-01A-33	1	Threader pump lever
16	RO-PS2018WP	1	Pin
17	RO-PS3018WP	1	Pin

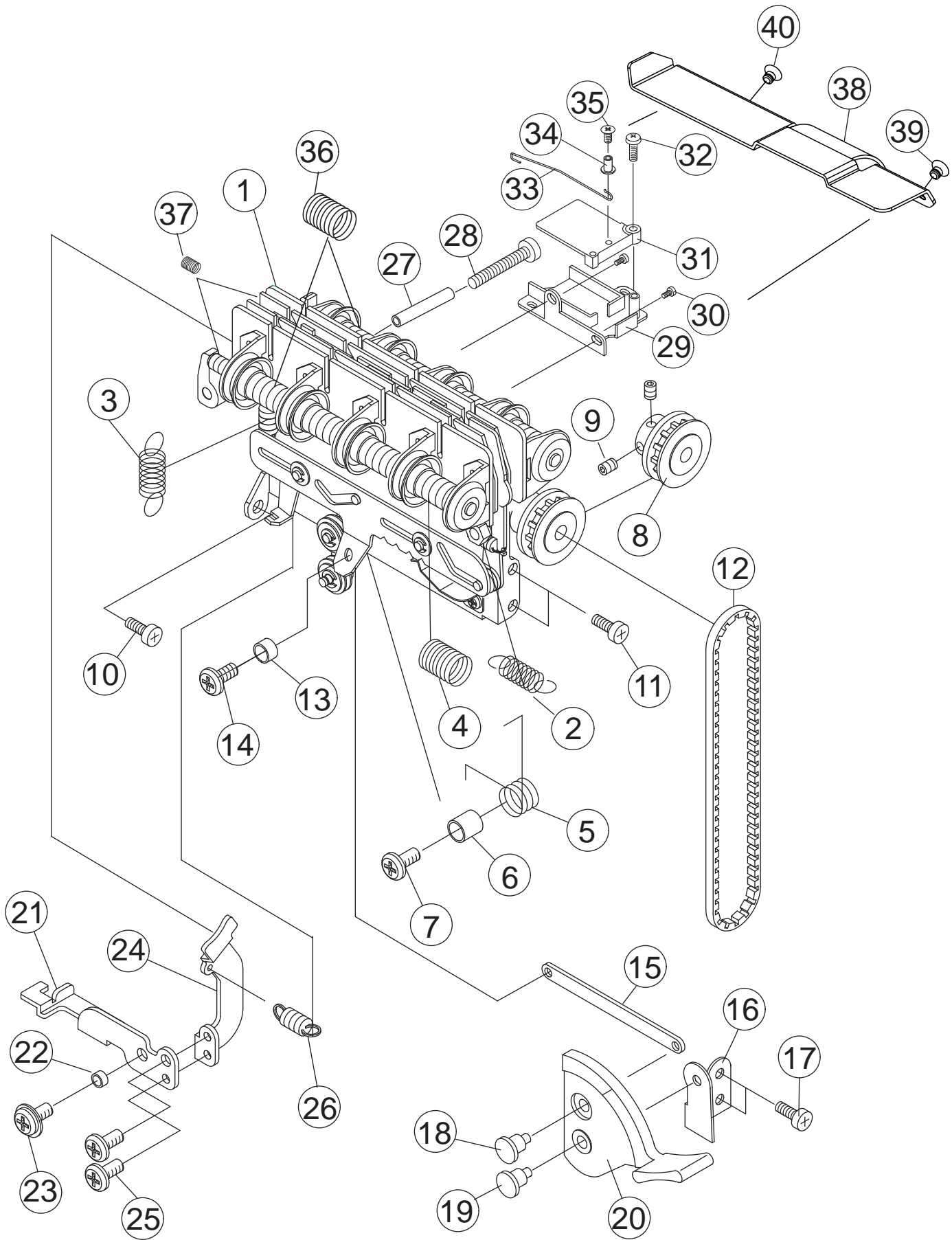
13. LOOPER THREADER COMPONENTS



13. LOOPER THREADER COMPONENTS

NO.	PARTS NUMBER	Q'TY	DESCRIPTION
1	B5820-05A-S	1	Threader selector plate
1A	B5801B04A	1	Threader selector plate set of 1 - 11
2	RO-SM3008KK	2	Screw
3	B5824-05A	1	No oil seal
4	B8892-02A	3	O-ring
5	B5825-05B	3	Threader inlet
6	B5811T03A	3	Threader inlet pipe
7	B5830T04A	1	Threader inlet holder
8	B5888T02A-33	1	Threader selector
9	B8892-01A	2	O-ring
10	B5853-01A	1	Spring
11	RO-B5820-06A-U	1	Selector hold plate
12	RO-SM2612KU	2	Screw
13	B5811-08B	1	Upper looper threading pipe
14	B5811-11A	1	Lower looper threading pipe
15	RO-B5820-07A-U	1	Pipe holder (1)
16	RO-B5820-08A-U	1	Pipe holder (2)
17	RO-SM3008ZU	1	Screw
18	B5850-05A	2	Joint pipe spring
19	B5811-09A	2	Joint pipe
20	RO-RP024EP	4	Push ring
21	B5821-10A-C	1	Engaging shaft release lever
22	B5851-03A	1	Spring
23	B5821S02A-U	1	Overlock looper threading pipe holder set
24	RO-SM3005ZU	2	Screw
25	B6421-02B-C	1	Thread take-up guide
26	RO-SM3005ZU	2	Screw
27	B5820S01A-P	1	Machine engaging plate set
28	RO-SM4004FY	2	Screw
29	B5803-02A-P	1	Machine engaging shaft
30	RO-RE050-P	1	E-ring
31	B5850-03A	1	Spring
32	B5821-04B-P	1	Release lever holder
33	RO-SM3005ZU	2	Screw
34	B5888-01A-33	1	Engaging shaft cap
35	B5836-02A	1	Holding rubber pipe
36	B5811-10A	1	Chain looper threading pipe
37	B5820-09A	1	Threading pipe holder
38	RO-SM3005ZU	1	Screw
39	B5821-07A-P	1	Threading pipe guide
40	RO-SM3005ZU	2	Screw
41	B5821-09A-P	1	Chain looper setting plate
42	B5850-05A	1	Joint pipe spring
43	B5811-09A	1	Joint pipe
44	RO-RP024EP	2	Push ring
45	B5821S03A-C	1	Chain looper threading pipe holder set
46	RO-SM3005ZU	2	Screw

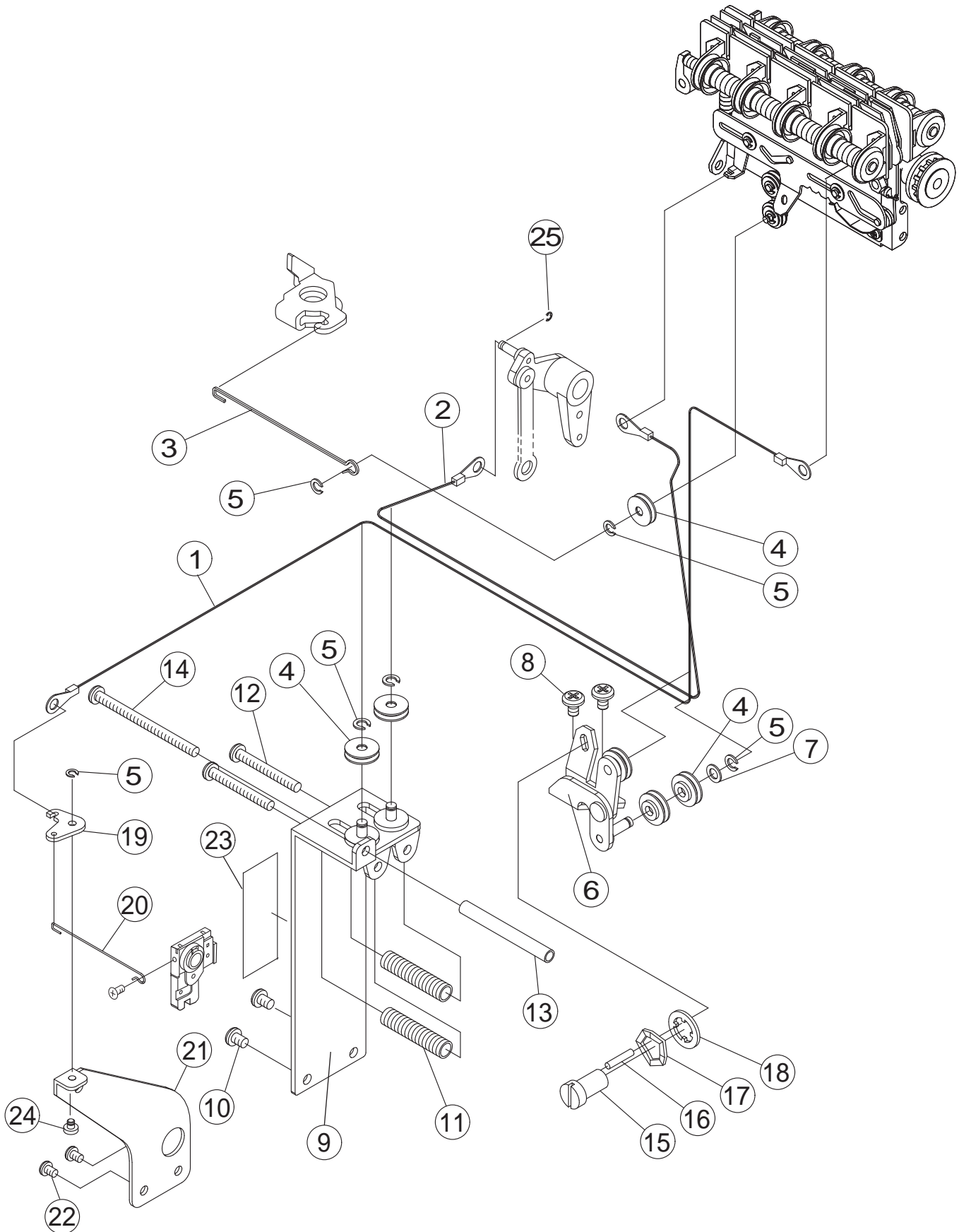
14-1. THREAD DELIVERY SYSTEM COMPONENTS



14-1. THREAD DELIVERY SYSTEM COMPONENTS

NO.	PARTS NUMBER	Q'TY	DESCRIPTION
1	RO-B6700A06D	1	Thread delivery system unit (101271 -)
2	B6751-01A	1	Spring
3	B6751-02B	1	Spring
4	B7650-03A	6	Spring
5	B6752-01A	1	Spring
6	RO-SP3003K	1	Spacer
7	RO-SM3005ZU	1	Screw
8	B6778T01A	1	Timing pulley
9	RO-SM4004FY	2	Screw
10	RO-SM4008ZU	1	Screw
11	RO-SM4008ZU	2	Screw
12	B6763-01A	1	Timing belt
13	RO-SP3002K	1	Spacer
14	RO-SM3005ZU	1	Screw
15	RO-B6820T05A-P	1	Connecting rod
16	RO-B6821T04A-P	1	Stitch selector base
17	RO-SM4008ZU	2	Screw
18	B8858T03A-P	1	Pin
19	B6821T02A-P	1	Pin
20	B6865-01A-33	1	Stitch selector lever
21	B6561-03A-PY	1	Disc release rink
22	RO-SP3002K	1	Spacer
23	RO-SM3008NK7	1	Screw
24	B6521-03A-PY	1	Disc release plate
25	RO-SM3008ZY	2	Screw
26	B5751-01A	1	Spring
27	RO-SP3035K	1	Spacer
28	RO-SM3040NK	1	Screw
29	B7730-03A	1	Micro switch base
30	RO-SM3005ZU	2	Screw
31	B7715-03A	1	Micro switch lever 2
32	RO-ST3006IK	1	Screw
33	B7710-01A	1	Connecting rod
34	RO-SP2302K	1	Spacer
35	RO-ST2306NK	1	Screw
36	B7650-05A	2	Spring
37	B7650-02A	2	Spring
38	RO-B6720-16A-U	1	ATD cover
39	RO-SM2605KK	1	Screw
40	RO-SM2504NN7	1	Screw

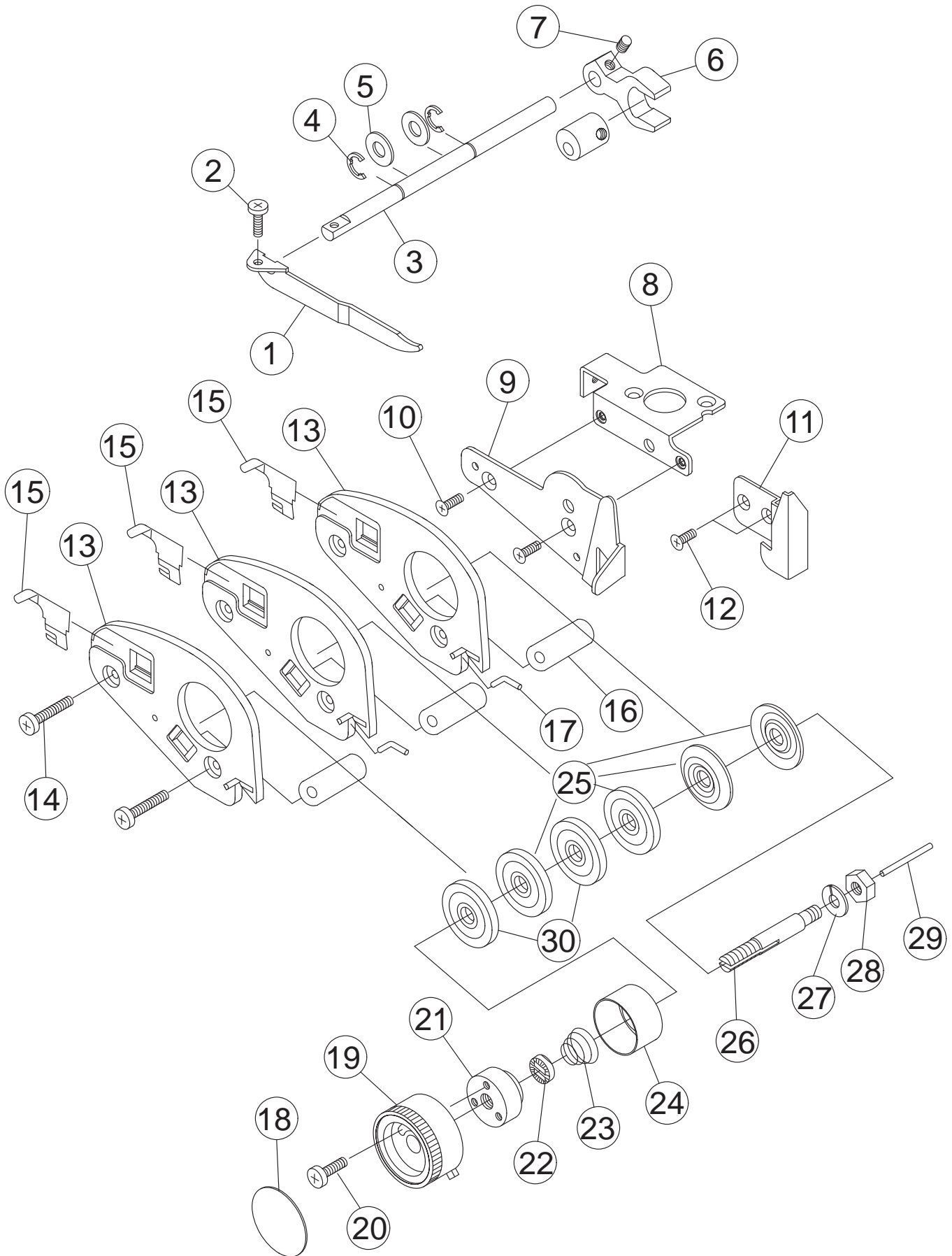
14-2. THREAD DELIVERY SYSTEM CABLE COMPONENTS



14-2. THREAD DELIVERY SYSTEM CABLE COMPONENTS

NO.	PARTS NUMBER	Q'TY	DESCRIPTION
1	B6764-05A	1	Looper thread adjusting cable
2	B6764-01B	1	Needle thread adjusting cable
3	B6860-02A	1	Thickness sensor rod
4	B6887-01A-P	5	Cable guide roller
5	RO-RE020-P	5	E-ring
6	B6821A02A	1	Cable relay roller holder set
7	RO-WP3005MU	1	Washer
8	RO-SM4006NP	2	Screw
9	RO-B6821S01A	1	Cable adjusting roller holder
10	RO-SM3005ZU	2	Screw
11	B6850-01A	2	Spring
12	RO-SM3025NK	2	Cable adjusting screw
13	RO-SP3035K	1	Spacer
14	RO-SM3040NK	1	Screw
15	RO-B6704-01A-U	1	Fine tuning screw
16	RO-PS2012WP	1	Pin
17	RO-WW6015-S	1	Wave washer
18	RO-RS060EP	1	Push ring
19	B6823-01A-P	1	Looper thread adjusting cable link
20	B6860-01A	1	Looper thread adjusting cable rod
21	B4220S03 A	1	Knife driving shaft holder set
22	RO-SM4008ZU	2	Screw
23	S6-A65-01A	1	Caution seal for UL (U.S.A)
	TE-A65-01A	1	Caution seal for CSA (CANADA)
	B8024-02B	1	Caution seal for CE (EU)
24	B6856-03A-P	1	Pin
25	RO-RE020-P	1	E-ring

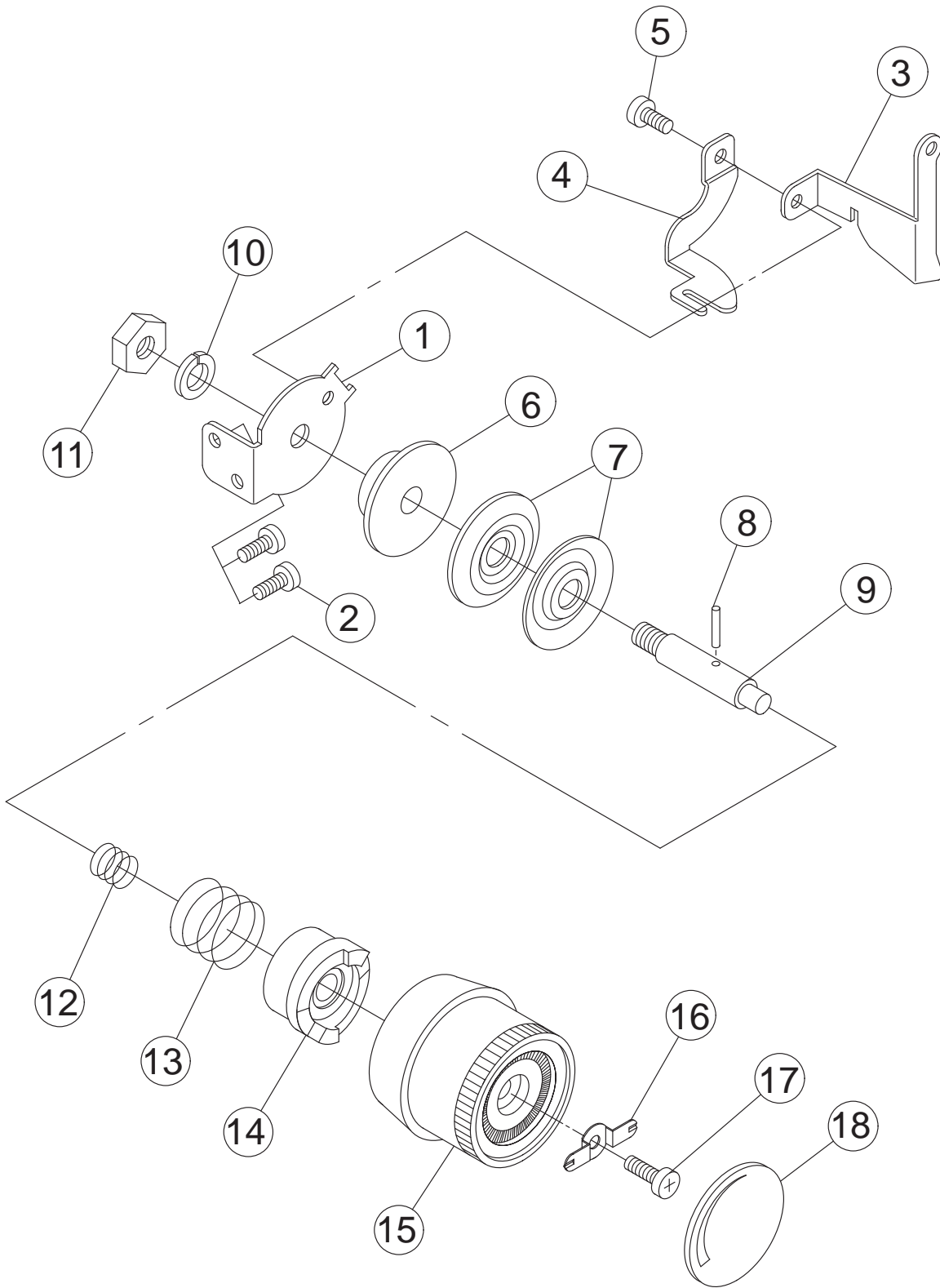
15-1. CHAIN NEEDLE THREAD TENSION COMPONENTS



15-1. CHAIN NEEDLE THREAD TENSION COMPONENTS

NO.	PARTS NUMBER	Q'TY	DESCRIPTION
1	B1820-03A-C	1	Chain needle thread take up
2	RO-SM3005ZU	1	Screw
3	B1803-01A-P	1	Shaft
4	RO-RE040-P	2	E-ring
5	RO-WP6010MK	2	Washer
6	B1883-01A	1	Chain needle thread take up driving arm
7	RO-SM4004FY	1	Screw
8	RO-B6072-01C-U	1	Chain needle thread tension adjuster base
9	B6072-03A-C	1	Chain needle thread tension adjuster guide
10	RO-SM3005KK	2	Screw
11	B1821-03A-C	1	Chain needle thread take up guide
12	RO-SM3006KU	2	Screw
13	B6025-01A-33	3	Chain needle thread separator
14	RO-SM3015NK	2	Screw
15	B6053-04A	3	Separator thread guide 1
16	B6037-01A	3	Tension disk spacer
17	B6210-01A	2	Separator thread guide 2
18	B6024-07A	1	Seal
19	B6088-03A-33	1	Chain needle tension adjuster knob
20	RO-SM3005ZU	1	Screw
21	B6030-01A-P	1	Tension adjuster nut
22	205-3203-07A	1	Tension noched washer
23	4M5-3304-06A	1	Spring
24	407-3203-05A	1	Spring holder
25	205-3203-04A	4	Tension disc
26	B6013-02A-N	1	Tension adjuster shaft
27	RO-WS501713K	1	Spring washer
28	RO-NM50H1K	1	Nut
29	B6010-01A-P	1	Tension release pin
30	B6021-11A-S	2	Tension disc

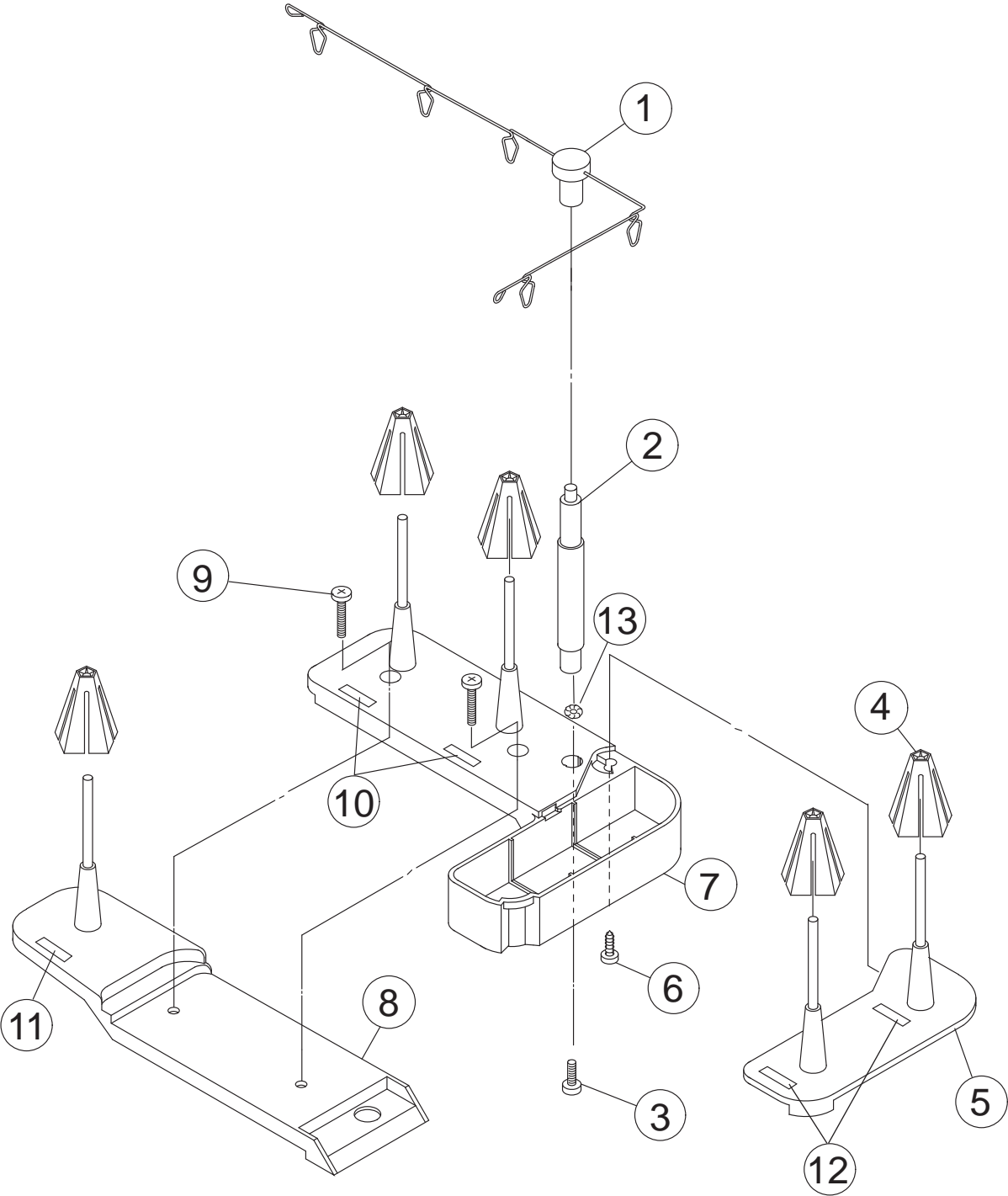
15-2. CHAIN LOOPER THREAD TENSION COMPONENTS



15-2. CHAIN LOOPER THREAD TENSION COMPONENTS

NO.	PARTS NUMBER	Q'TY	DESCRIPTION
1	B6420-01A-C	1	Adjuster base
2	RO-ST3006NK	2	Screw
3	B6420-02A-C	1	Chain looper thread guide 1
4	B6420-03A-C	1	Chain looper thread guide 2
5	RO-SM3005ZU	1	Screw
6	B6036-06B-P	1	Tension disk base
7	205-3203-04A	2	Tension disk
8	RO-PS1510WP	1	Pin
9	B6013-01B-N	1	Tension adjuster shaft
10	RO-WS501713K	1	Spring washer
11	RO-NM50H1K	1	Nut
12	B6050-09A	1	Tension adjuster spring
13	B6050-08A	1	Sub tension spring
14	B6043-01A	1	Tension adjuster cam
15	B6088-02A-33	1	Chain looper tension adjuster knob
16	B6053-03A-PY	1	Tension noched washer
17	RO-SM3004NK	1	Screw
18	B6024-08A	1	Seal

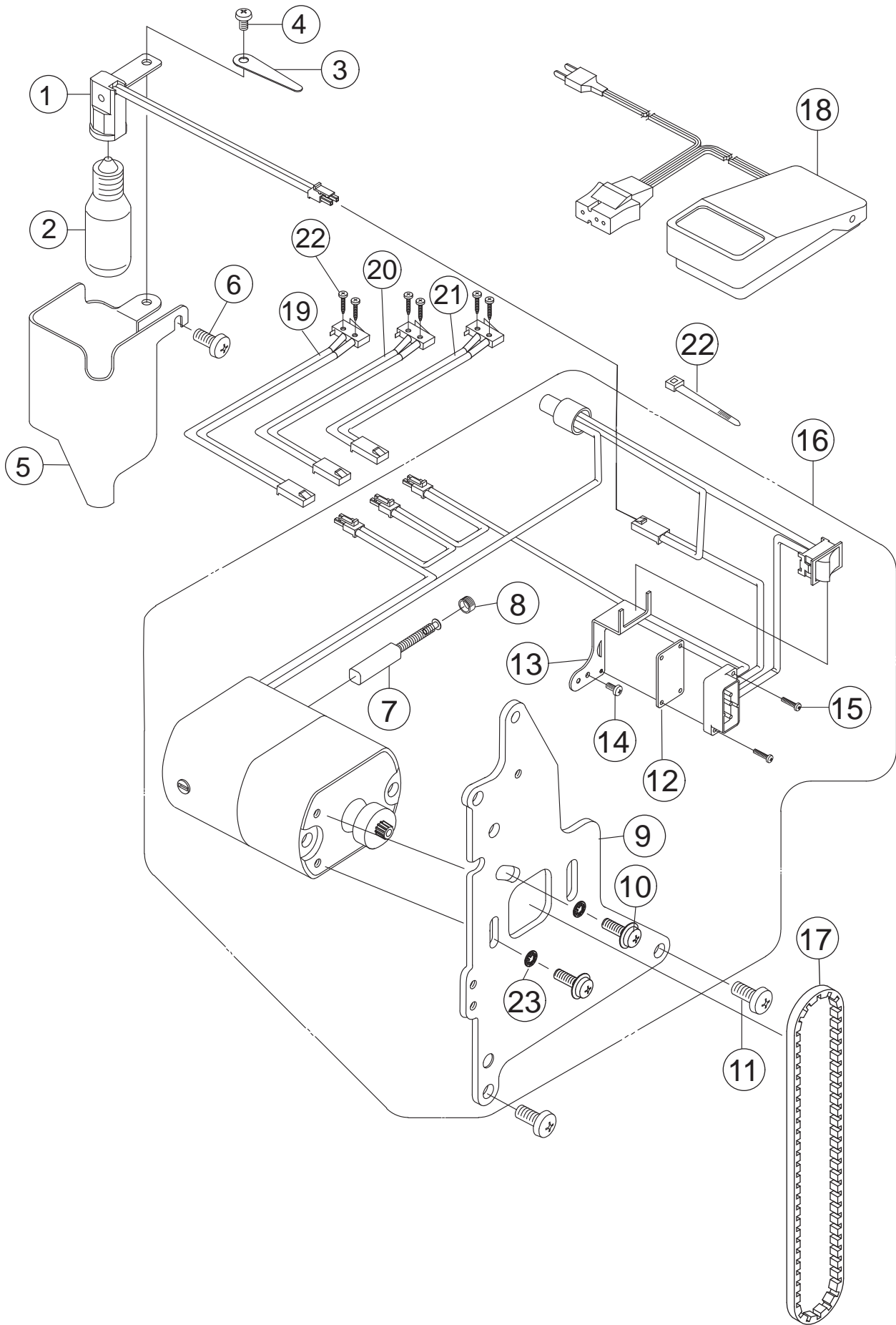
16. SPOOL STAND COMPONENTS



16. SPOOL STAND COMPONENTS

<u>NO.</u>	<u>PARTS NUMBER</u>	<u>Q'TY</u>	<u>DESCRIPTION</u>
1	B6654S04A-33	1	Telescopic thread guide
2	205-0103-01E-J2	1	Telescopic pipe
3	RO-SM4010TK	1	Screw
4	615-0102-02B	5	Spool wedge
5	B6630-02A-33	1	Accessory compartment cover
6	RO-ST5006NK	1	Screw
7	B6630-01A-33	1	Spool stand
8	B6630-04A-33	1	Additional spool stand
9	RO-SM4060EU	2	Screw
10	B6624-01A	1	Seal
11	B6624-03A	1	Seal
12	B6624-02A	1	Seal
13	RO-WT408505U1	1	Washer

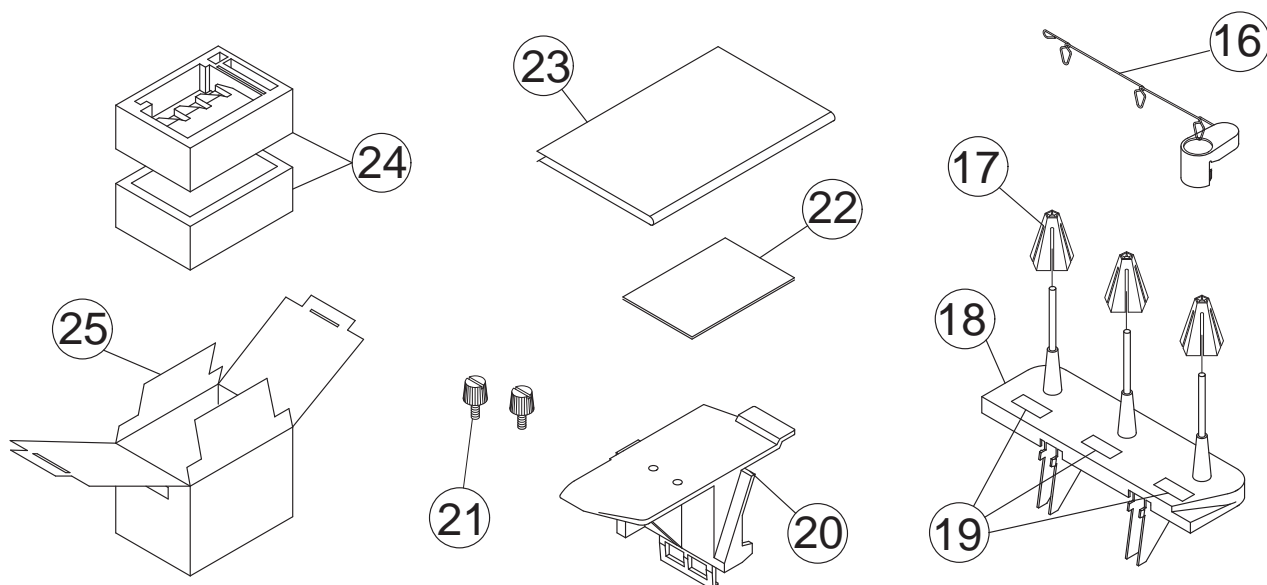
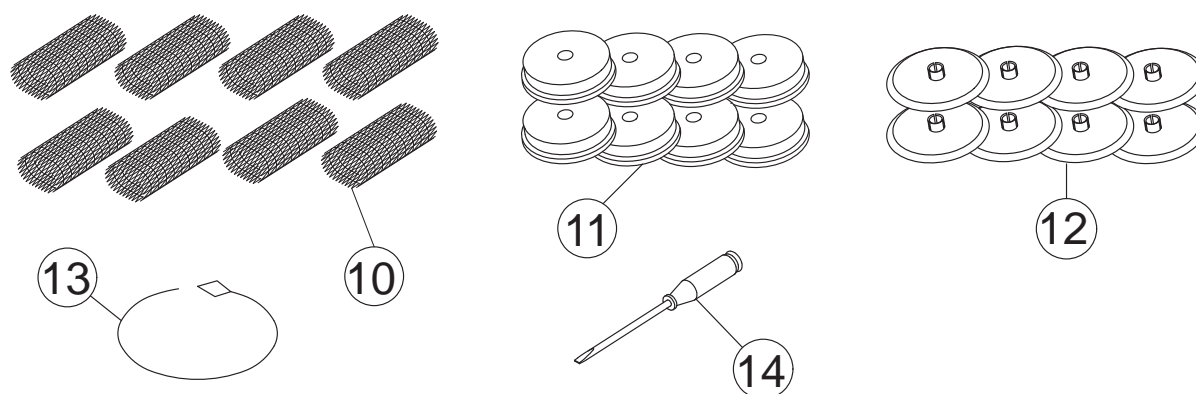
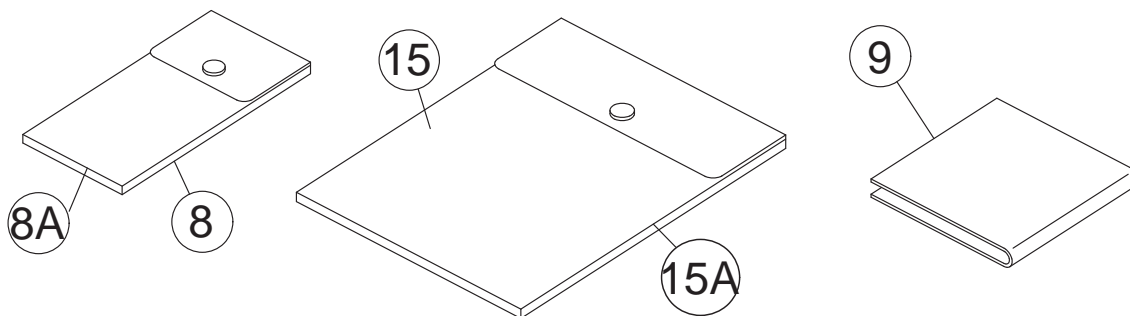
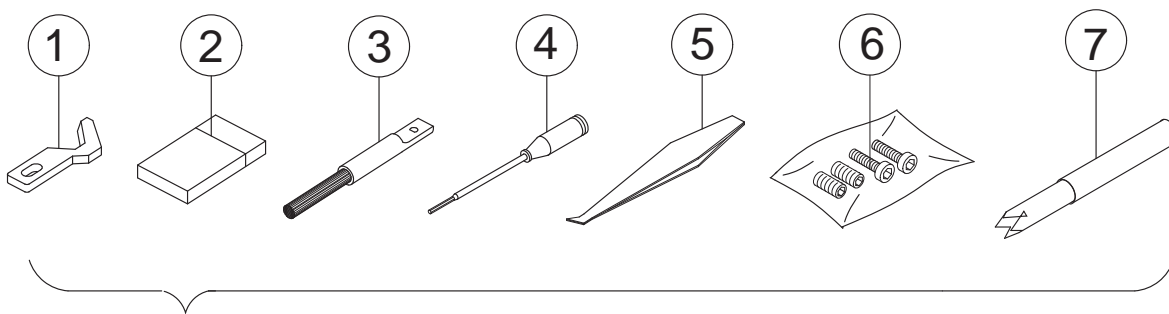
17. MOTOR CONTROLLER & LAMP COMPONENTS



17. MOTOR, CONTROLLER & LAMP COMPONENTS

NO.	PARTS NUMBER	Q'TY	DESCRIPTION
1	RO-B7501S01B	1	Lamp socket set (100V - 120V)
	RO-B7501S02B	1	Lamp socket set (220V - 240V)
2	RO-B5701-03A	1	Lamp (100V - 120V Blue bulb)
	RO-B5701-04A	1	Lamp (220V - 240V Blue bulb)
3	B7621-01A	1	Wiring staple
4	SM4008ZU	1	Screw
5	RO-B7523-02A-U	1	Lamp guard
6	ST3008NK	1	Screw
	205-0301-02A/120	2	Carbon brush (100V - 120V)
	205-0301-02A/220	2	Carbon brush (220V - 240V)
8	205-0301-03A	1	Carbon brush cap
9	RO-B9820-02B-K	1	Motor bracket
10	RO-SM4010IK	2	Screw
11	RO-SM4008ZU	2	Screw
12	205-0301-05A	1	Terminal box insulation plate
13	B9821-01A-K	1	Switch holder
14	RO-SM4008ZU	1	Screw
15	RO-SI-30002	2	Screw
16	L10DC	1	Motor set for U.S.A & Canada
	RO-L7AC	1	Motor set for Australia, New Zealand & Europe
17	615-0303-01A	1	Timing belt
18	YC482	1	Controller for U.S.A & Canada
	YC483N4	1	Controller for Australia & New Zealand
	RO-YC483N7A	1	Controller for Europe
	RO-YC483N7B	1	Controller for U.K
19	RO-B7635S05A	1	Micro switch 1 for Front cover (230V)
20	RO-B7635S08A	1	Micro switch 2 for Side cover (230V)
21	RO-B7635S09A	1	Micro switch 3 for Presser foot (230V)
22	B7664-01A	1	Code band
23	RO-WT408505U1	2	Washer

18. STANDARD ACCESSORIES



18. STANDARD ACCESSORIES

NO.	PARTS NUMBER	Q'TY	DESCRIPTION
1	B4401-01B-OY	1	Upper knife
2	B8293S02A	1	Needle set
3	B8200-03A	1	Needle inserter with brush
4	B8200-13A	1	Allen driver
5	205-0201-02A	1	Tweezers
6	B8203S03A	1	Needle screw set
7	B8490S02A	1	Needle threader
8	RO-B8201-01C	1	Accessory bag (small)
8A	RO-B8201S23A	1	Accessory set (Accessory compartment)
9	RO-B8200-12A	1	Vinyl cover
10	205-0201-09B	8	Net
11	B8202S01A-33	8	Sponge cap
12	B8202-01A-33	8	Bobbin supporter
13	B8200-04B	1	Looper threader
14	205-0201-06A	1	Screwdriver (large)
15	RO-2S5-0201-01B	1	Accessory bag (large)
15A	RO-B8201S27A	1	Accessory set (carton box)
16	B6654S05A-33	1	Extra thread guide
17	615-0102-02B	3	Spool wedge
18	B6630-05A-33	1	Extra spool stand
19	B6624-04A	1	Seal
20	RO-B0402-02A-33	1	Flat cover
21	RO-B0488-01A	2	Screw
22	B8391-03A	1	Quick reference threading guide
23	780	1	Instruction manual
24	B9101S02A	1	Styrofoam
25	B9001-28A	1	Carton box

