

# NECCHI

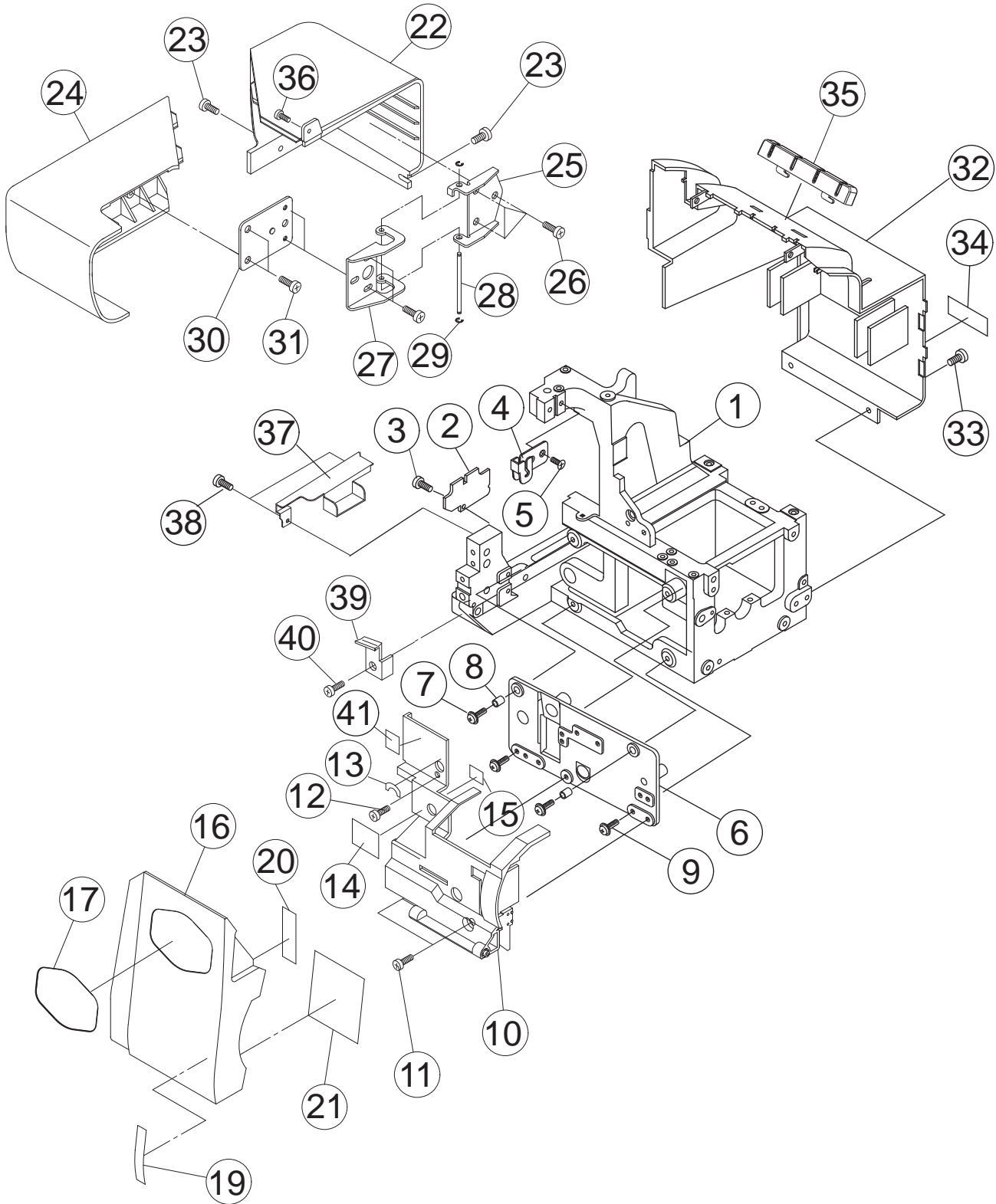
## PARTS LIST

MODEL 760



	Serial Numbers
From	000251
To	

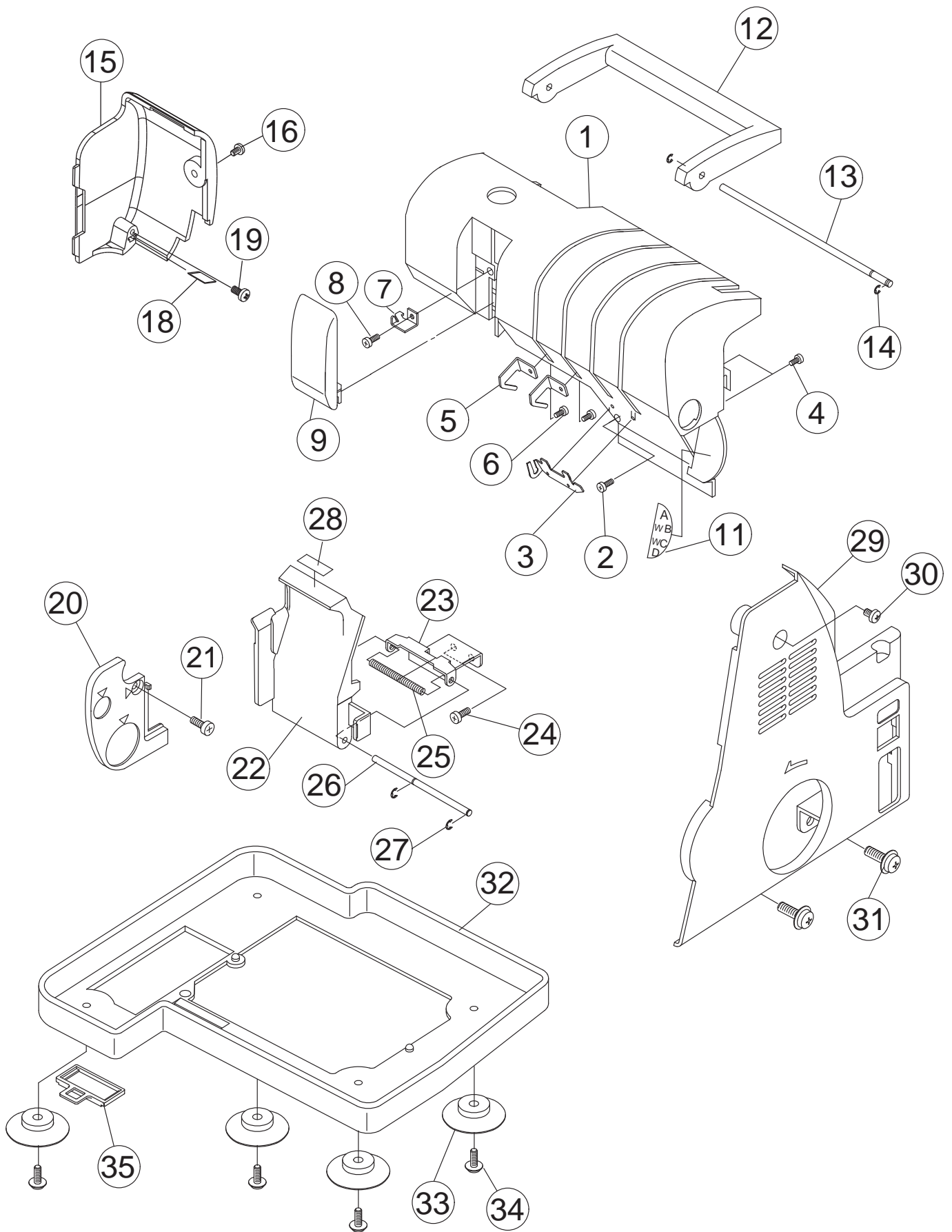
# 1. ARM BED & COVERS



## 1.ARM BED & COVERS

NO.	PARTS NUMBER	Q'TY	DESCRIPTION
1	B0101-15A	1	Arm bed
2	B0723-01A-P	1	Lint guard plate
3	RO-SM4008ZU	1	Screw
4	B1821-01C-C	1	Thread take-up guide plate
5	RO-SM3006KU	2	Screw
6	B0104-02B	1	Looper base plate
7	RO-SM4014TK	2	Screw
8	RO-SP4008K	2	Spacer
9	RO-SM4014TK	2	Screw
10	B0204-03A-33	1	Bed cover
11	RO-SM4014TK	2	Screw
12	RO-SM4008ZU	1	Screw
13	B6724-01A	1	Looper thread fine tuning range seal
14	B0724-05A	1	Cover seal
15	B0724-03A	1	Oil protect seal
16	B0802-08A-33	1	Front cover
17	B0822-38A	1	Imagine wave seal
18			
19	B3424-02A	1	Differential feed seal
20	B8024-02B	1	Caution seal for CE (EU)
21	B0822-31A	1	Threading instruction seal
22	B0201-03A-33	1	Side cover
23	RO-SM4008ZU	2	Screw
24	B0201-02A-33	1	Slide cover
25	RO-B0220-01A-P	1	Slide cover hinge (1)
26	RO-SM4008TK	3	Screw
27	RO-B0220-02A-P	1	Slide cover hinge (2)
28	RO-B0210-01A-P	1	Hinge shaft
29	RO-RE030-P	2	E-ring
30	RO-B0220-03A-P	1	Hinge base
31	RO-SM4006TK	2	Screw
32	B0202-01D-33	1	Rear cover
33	RO-SM4008ZU	2	Screw
34	B9924-45A	1	Serial number seal
35	B0205S07A	1	Head thread guide
36	RO-SM3008ZU	1	Screw
37	B0720-01A-P	1	Wire cover
38	RO-SM3005ZU	2	Screw
39	B0221-01A-PY	1	side cover stopper
40	RO-SM4008ZU	1	Screw
41	B7524-01A	1	Seal

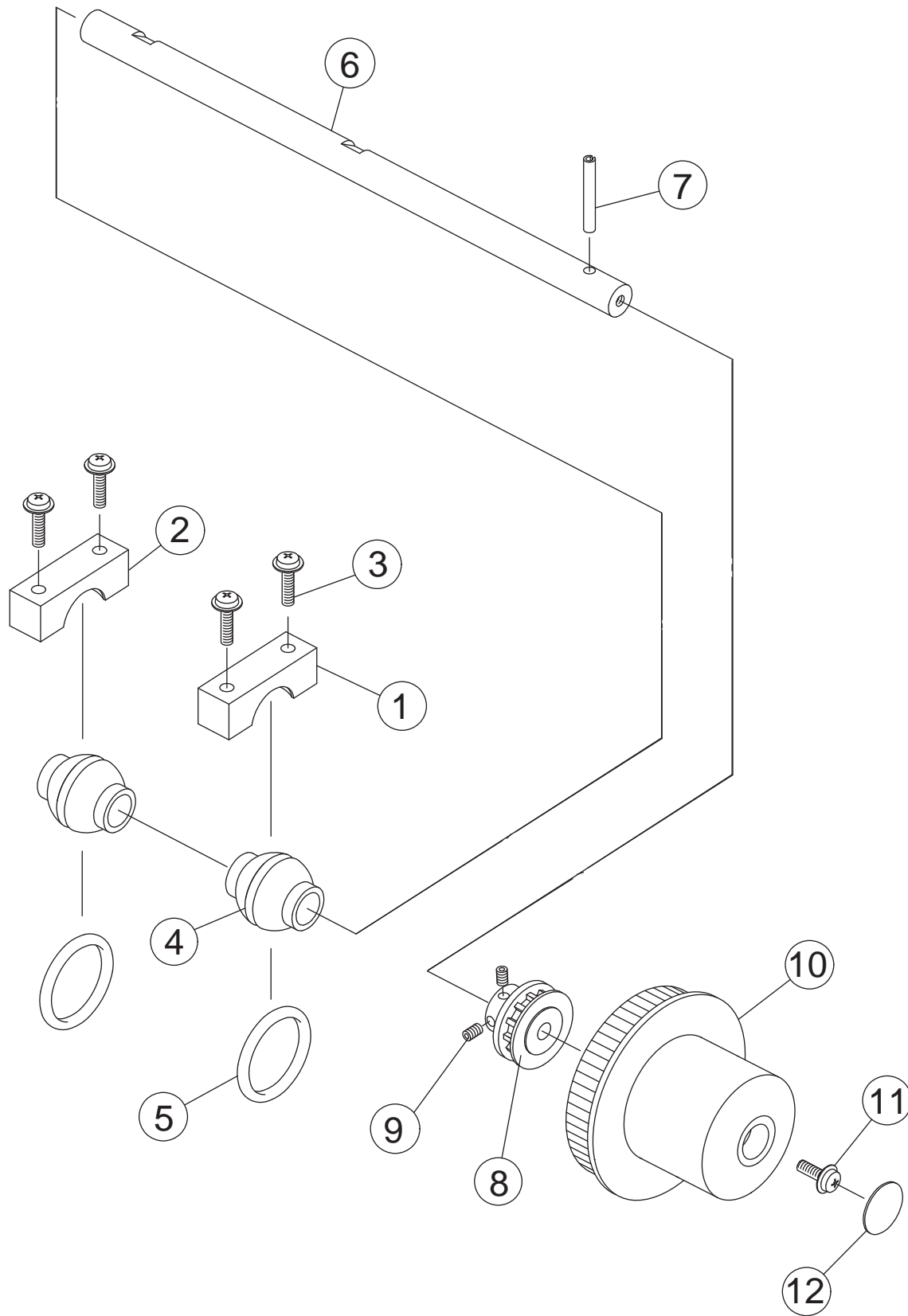
## 2. FACE PLATE & COVERS



## 2.FACE PLATE & COVERS

NO.	PARTS NUMBER	Q'TY	DESCRIPTION
1	B1001-08A-33	1	Face cover
2	RO-SM4008ZU	1	Screw
3	B6121-03A-C	1	Face cover thread guide
4	RO-SM3005ZU	2	Screw
5	B6120-05A-C	2	Thread guide
6	RO-ST3006IK	2	Screw
7	B1821-02B-C	1	Thread take-up guide
8	RO-SM3008ZU	1	Screw
9	B1002-08A-33	1	Thread take-up cover
10		1	
11	B6824-07A	1	Selector seal
12	B0601-01A-33	1	Handle
13	B0603-01A-P	1	Handle shaft
14	RO-RE030-P	2	E-ring
15	B0203-06A-33	1	Arm cover
16	RO-SM3008ZU	1	Screw
17		1	
18	B6920-01A	1	Thread cutter
19	RO-ST3006IK	1	Screw
20	B0401-06A-33	1	Knife holder cover
21	RO-SM3008ZU	1	Screw
22	B040105A-33	1	Knife cover
23	RO-B0421-02A-P	1	Knife cover hinge
24	RO-SM4008ZU	2	Screw
25	B0450-02A	1	Spring
26	RO-B0403-01B-P	1	Knife cover hinge shaft
27	RO-RE030-P	2	E-ring
28	B0424-08A	1	Margin gauge seal
29	B0501-01B-33	2	Belt cover
30	RO-SM4010NK	1	Screw
31	RO-SM4008ZU	2	Screw
32	B0301-01B-33	1	Base plate
33	615-1104-01A	4	Rubber cushion
34	RO-ST4012YK	4	Screw
35	B0302-01A-33	1	Base plate door

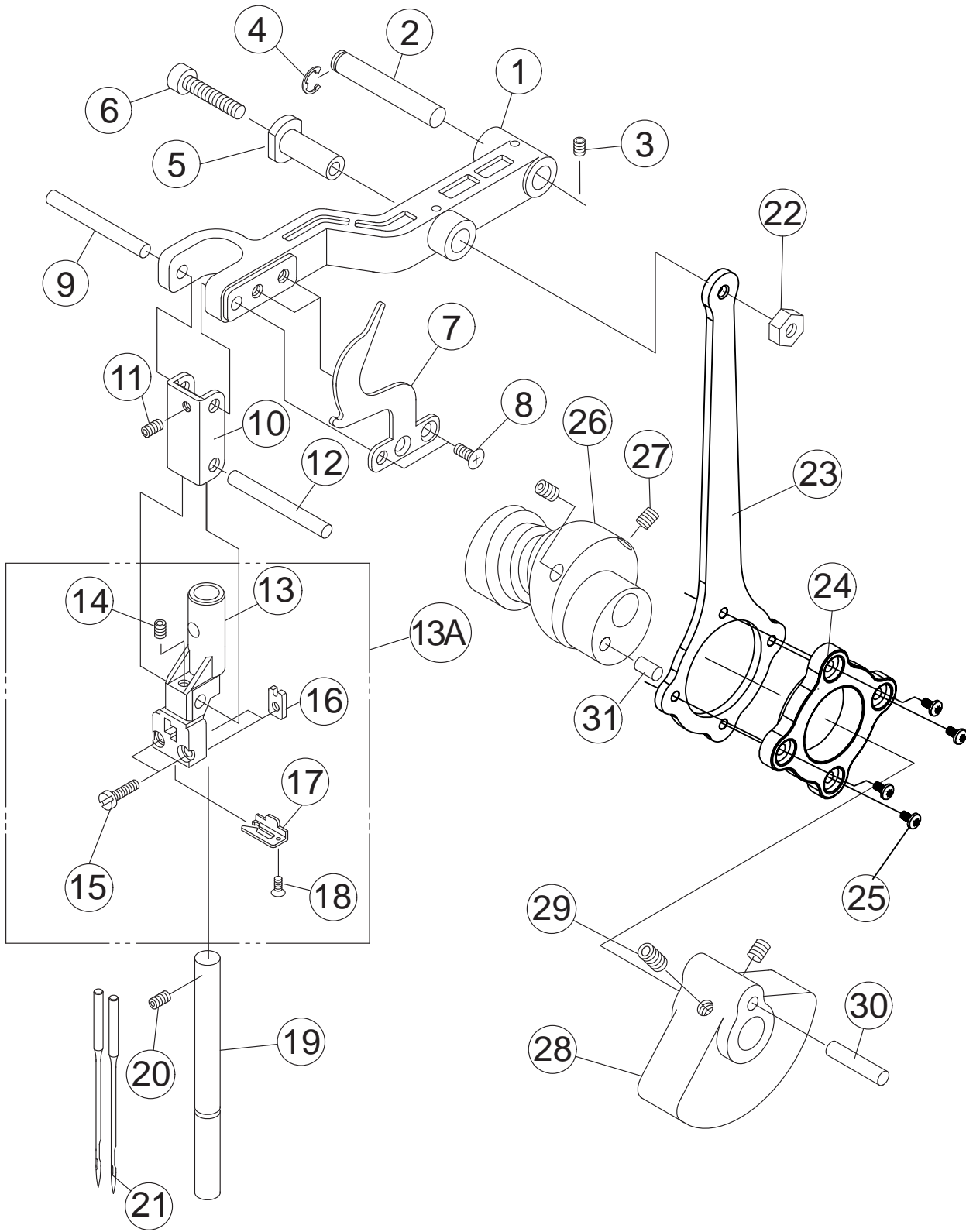
### 3. MACHINE PULLEY COMPONENTS



### 3.MACHINE PULLEY COMPONENTS

<u>NO.</u>	<u>PARTS NUMBER</u>	<u>Q'TY</u>	<u>DESCRIPTION</u>
1	B0105-01A	1	Bush cap (Right)
2	B0105-02A	1	Bush cap (Left)
3	RO-SM4020NK	4	Screw
4	B1305-01A	2	Driving shaft bush
5	B1392-01A	2	O-ring
6	B1303-01A	1	Driving shaft
7	RO-PS2520WP	1	Pin
8	B6778T02A	1	Timing pully
9	RO-SM4004FY	2	Screw
10	B1201-02A-33	1	Pulley (Timing)
11	RO-SM4008ZU	1	Screw
12	B1224-01A	1	Pulley seal

## 4. NEEDLE BAR COMPONENTS

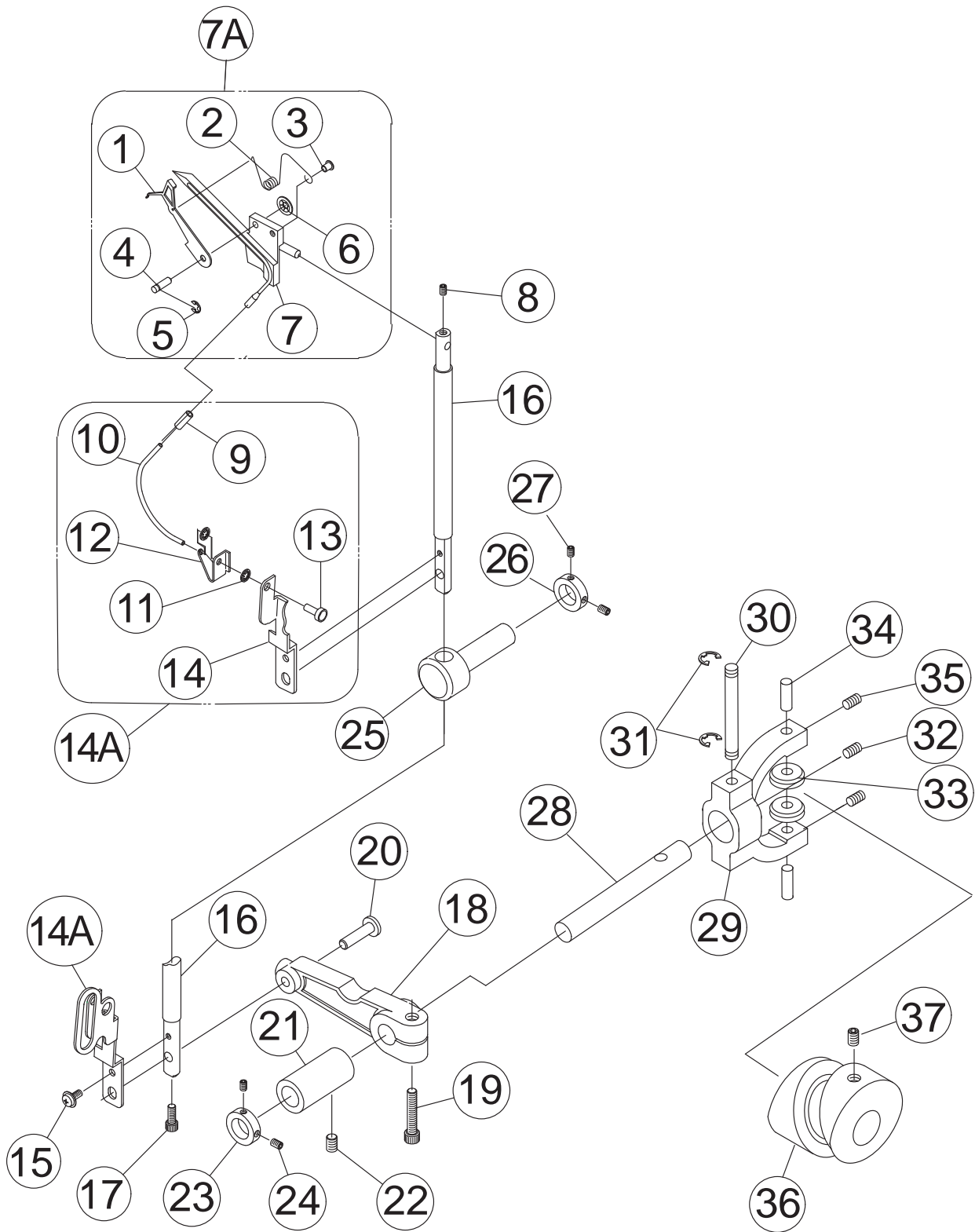




#### 4.NEEDLE BAR COMPONENTS

<u>NO.</u>	<u>PARTS NUMBER</u>	<u>QTY</u>	<u>DESCRIPTION</u>
1	B1615-02A	1	Needle driving arm
2	B1603-01A-PY	1	Needle driving arm shaft
3	RO-SM4004FY	1	Screw
4	RO-RE050-P	1	E-ring
5	B1604-01A-OY	1	Needle height adjuster
6	RO-SM4025CY	1	Screw
7	B1820-02A-C	1	Needle thread take-up
8	RO-SM3006KK	2	Screw
9	B1603-04B-PY	1	Connecting pin
10	RO-B1661-01E-U	1	Needle clamp link
11	RO-SM3004WY	1	Screw
12	B1603-05A-PY	1	Needle clamp link pin
13	B1901-04A-C	1	Needle clamp holder
13A	B1901S01A	1	Needle clamp holder set of 13 - 18
14	RO-SM3004WY	1	Screw
15	RO-SM3006HYU	2	Needle fixing screw
16	B1920-03A-PY	2	Needle fixing screw holder plate
17	B1921-01A-C	1	Clamp holder thread guide
18	RO-SC2030NY	2	Screw
19	B1903-02A-PY	1	Needle bar
20	RO-SM4008FY	1	Screw
21	CA-F13-01B	2	ORGAN HAx1SP/CR needle #14/90
22	RO-NM40H1K	1	Nut
23	B1620-06A-P	1	Needle driving rod
24	B1626-03A	1	Driving rod holder
25	RO-SM3006EU	4	Screw
26	B2542-04C	1	Needle and lower looper driving cam
27	RO-SM4004FY	1	Screw
28	B1627-01A	1	Balancer
29	RO-SM4004FY	2	Screw
30	RO-PW4014W	1	Pin
31	RO-PW4014W	1	Pin

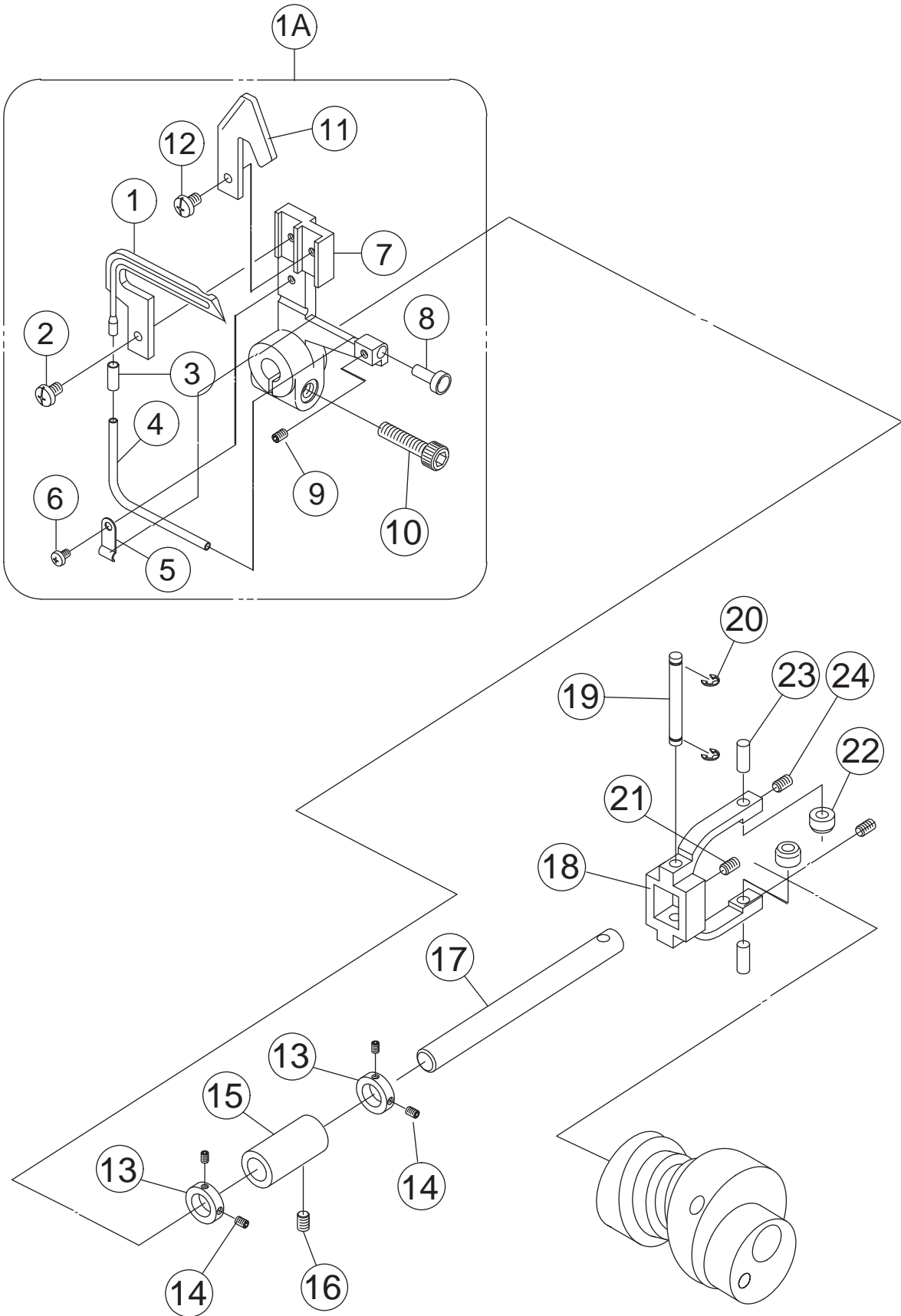
# 5. UPPER LOOPER COMPONENTS



## 5.UPPER LOOPER COMPONENTS

NO.	PARTS NUMBER	QTY	DESCRIPTION
1	B2321-02B-PY	1	Subsidiary looper
2	B2354-01A	1	Subsidiary looper spring
3	RO-HH38254	1	Spacer
4	B2303-01A-P	1	Subsidiary looper pin
5	RO-RE020-P	1	E-ring
6	RO-RP024EP	1	Push ring
7	B2201S05A	1	Upper looper
7A	B2201A03A	1	Upper looper set of 1-7
8	RO-SM40050Y	1	Screw
9	B5836-02A	1	Holding rubber pipe
10	B2411-03A	1	Upper looper threading joint pipe
11	RO-RS024EP	2	Push ring
12	B2420-02A-PY	1	Joint pipe fixing plate
13	B5825-08A	1	Threading pipe joint
14	B6221-03A-C	1	Looper thread take-up
14A	B6221A02A	1	Looper thread take-up set of 10- 14
15	RO-SM3008ZY	1	Screw
16	B2403-03C-PY	1	Upper looper fixing shaft
17	RO-SM3006CY	1	Screw
18	B2415-03A	1	Upper looper driving arm
19	RO-SM5016CY	1	Screw
20	C1956-01A-OY	1	Looper driving arm joint pin
21	B2405-01A	1	Looper driving shaft bush
22	RO-SM4005VY	1	Screw
23	B8835-02A-P	1	Thrust collar
24	RO-SM4004FY	2	Screw
25	B2406-01A-PY	1	Upper looper fixing shaft pivot
26	B8835-02A-P	1	Thrust collar
27	RO-SM4004FY	2	Screw
28	B2403-01A	1	Looper driving fork shaft
29	B2483-02A	1	Driving cam fork
30	B2455-02A-OY	1	Joint pin
31	RO-RE030-P	2	E-ring
32	RO-SM4004WY	1	Screw
33	B2487-02B	2	Cam roller
34	AM-H21-03A	2	Roller pin
35	RO-SM3004WY	2	Screw
36	B2442-04B	1	Upper looper driving cam
37	RO-SM4004FY	1	Screw

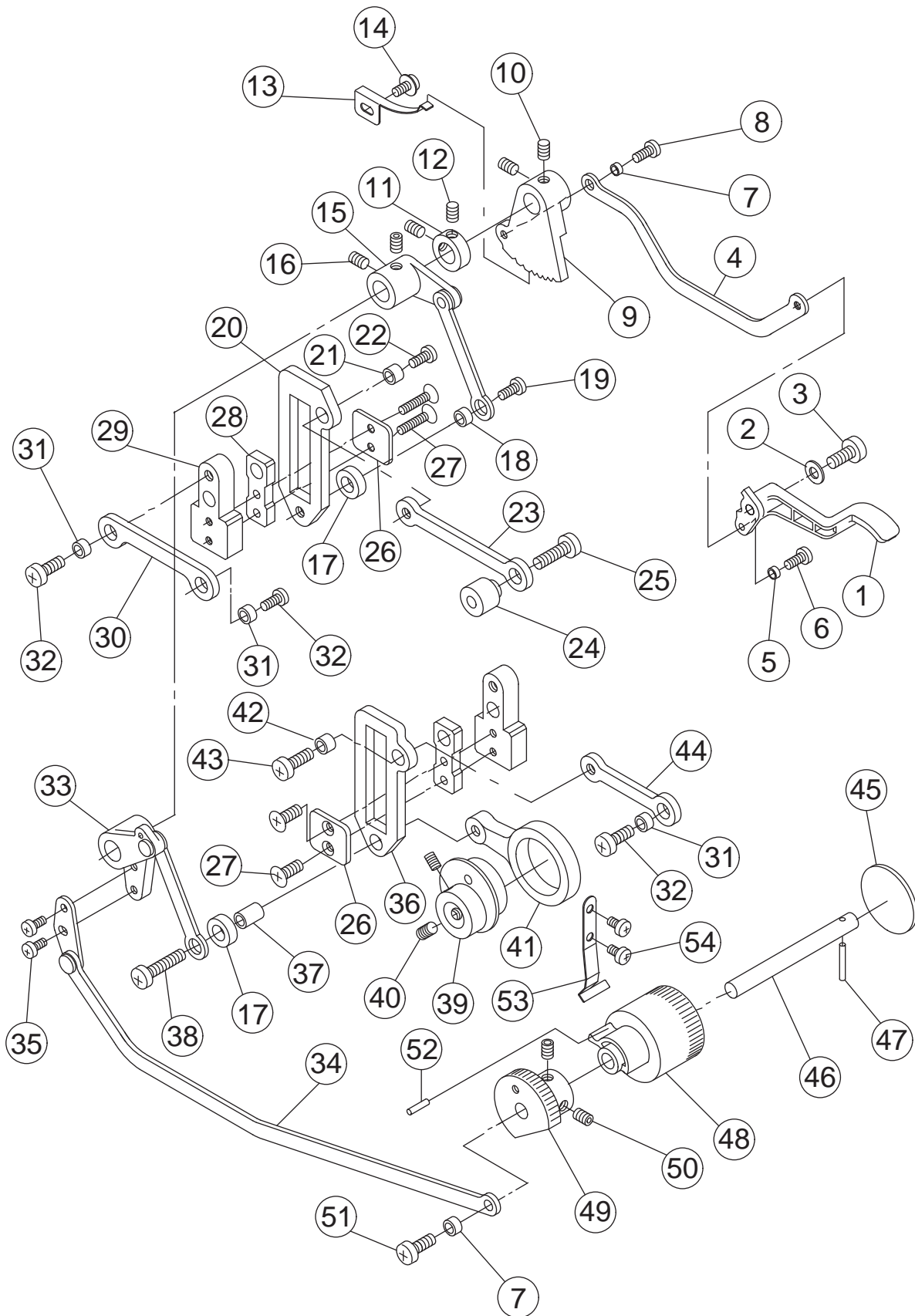
# 6. LOWER LOOPER COMPONENTS



## 6. LOWER LOOPER COMPONENTS

<u>NO.</u>	<u>PARTS NUMBER</u>	<u>Q'TY</u>	<u>DESCRIPTION</u>
1	B2202S03A	1	Lower looper
1A	B2501A01A	1	Lower looper set of 1-12
2	RO-SM3008ZY	1	Screw
3	B5836-02A	1	Holding rubber pipe
4	B2511-02A	1	Lower looper arm pipe
5	B2520-01A-P	1	Joint pipe fixing plate
6	RO-SM3005ZU	1	Screw
7	B2530-03B	1	Lower looper arm
8	B5825-08A	1	Threading pipe joint
9	RO-SM3004WY	1	Screw
10	RO-SM5016CY	1	Screw
11	B3821-03A-PY	1	Back needle guard
12	RO-SM3005ZU	1	Screw
13	B8835-02A-P	2	Thrust collar
14	RO-SM4004FY	4	Screw
15	B2405-01A	1	Looper driving shaft bush
16	RO-SM4005VY	1	Screw
17	B2503-01A	1	Looper driving fork shaft
18	B2483-03A	1	Looper driving cam folk
19	B2455-02A-OY	1	Joint pin
20	RO-RE030-P	2	E-ring
21	RO-SM4004WY	1	Screw
22	B2487-02B	2	Cam roller
23	AM-H21-03A	2	Roller pin
24	RO-SM3004WY	2	Screw

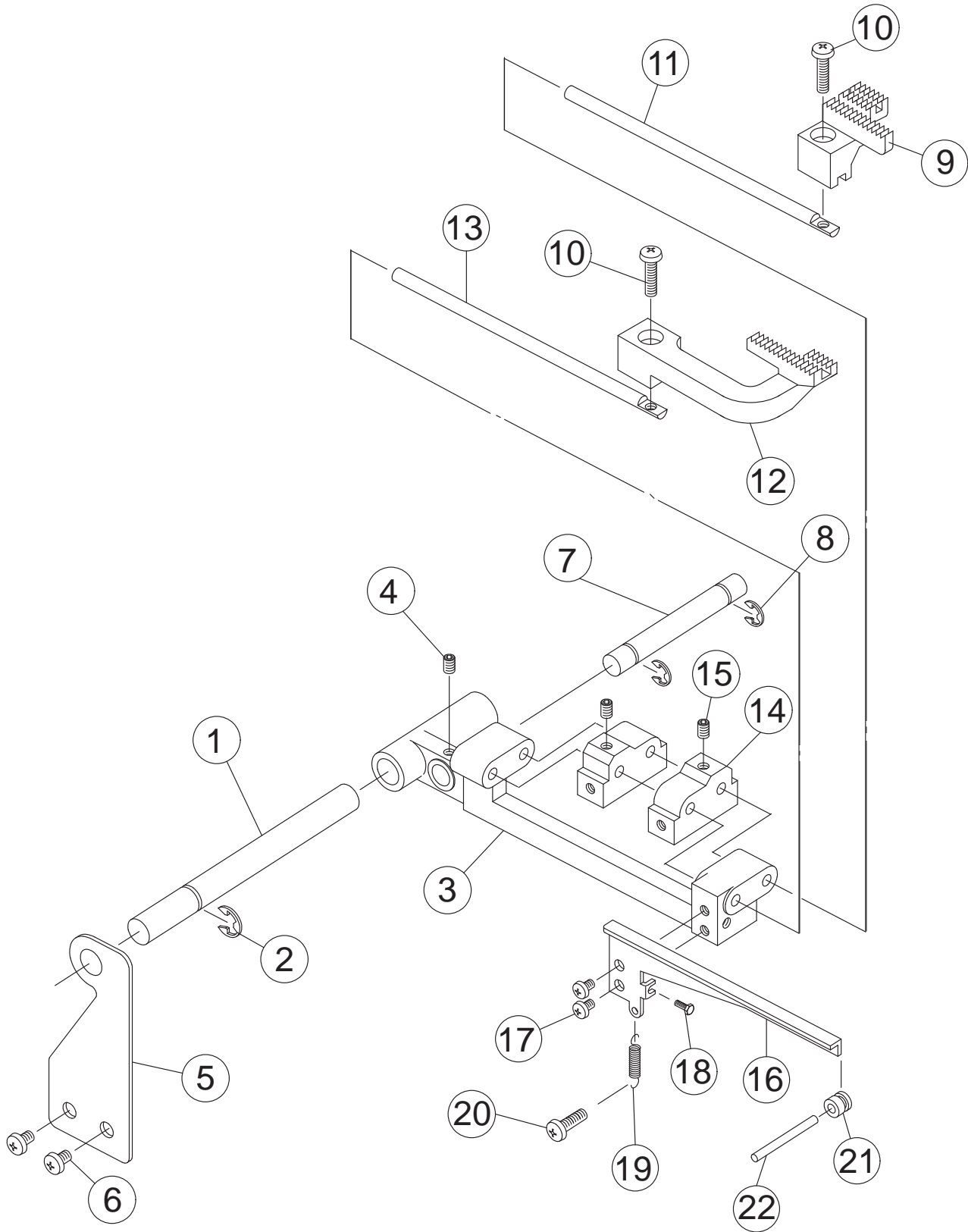
# 7-1. DIFFERENTIAL FEED & STITCH LENGTH COMPONENTS



7-1. DIFFERENTIAL FEED & STITCH LENGTH COMPONENTS

NO.	PARTS NUMBER	Q'TY	DESCRIPTION
1	B3465-01A-33	1	Differential feed adjusting lever
2	WP3005MU	1	Washer
3	RO-SM3008SK	1	Screw
4	B3420-01A-P	1	Differential feed lever link
5	RO-SP3006K	1	Spacer
6	RO-ST3008SK	1	Screw
7	RO-SP3002K	2	Spacer
8	RO-ST3008SK	1	Screw
9	B3415-02A	1	Differential feed positioning ratchet
10	RO-SM4004WY	2	Screw
11	B8835-04A-P	1	Thrust collar
12	RO-SM4004FY	2	Screw
13	B3453-01A-PY	1	Ratchet stopper spring
14	RO-ST3008SK	1	Screw
15	B3415S01A	1	Feed dog adjusting set
16	RO-SM4004FY	2	Screw
17	B8837-06A-P	2	Spacer
18	B8837-07A-P	1	Spacer
19	RO-SM4008ZU	1	Screw
20	B3325-02A	1	Sub-feed dog slider
21	B8837-03A-P	1	Spacer
22	RO-SM4008ZU	1	Screw
23	B3361-01A-P	1	Differential feed joint link
24	B3337-01A-P	1	Spacer
25	RO-SM4014TK	1	Screw
26	B2920-04A-P	2	Feed dog driving arm plate
27	RO-SM3010KK	4	Screw
28	B2986-01A	2	Feed dog sliding block
29	B2915-02A	2	Feed dog driving arm
30	B3361-02A-P	1	Feed dog connecting link
31	B8837-04A-P	3	Spacer
32	RO-SM4008ZU	3	Screw
33	B3115S02A	1	Stitch length adjusting arm set
34	B3120S01A	1	Stitch length adjusting link
35	RO-ST3008SK	2	Screw
36	B2925-03A	1	Main feed dog slider
37	B8837-01A-P	1	Spacer
38	RO-SM4014TK	1	Screw
39	B2940-01A	1	Feed rod driving cam
40	RO-SM4004FY	2	Screw
41	B2912-01A	1	Feed rod
42	B8837-03A-P	1	Spacer
43	RO-SM4008ZU	1	Screw
44	B2961-01A-P	1	Feed dog driving link
45	B3124-05A	1	Stitch length dial seal
46	RO-B3103-01A-P	1	Stitch length dial shaft
47	RO-PS2018WP	1	Pin
48	B3189-03A-33	1	Stitch length dial
49	B3125-01B	1	Stitch length positioning ratchet
50	RO-SM4004FY	2	Screw
51	RO-ST3008SK	1	Screw
52	RO-PS3512WP	1	Pin
53	B3153-01A-PY	1	Stitch length ratchet stopper
54	RO-SM3005ZU	2	Screw

# 7-2. DIFFERENTIAL FEED MECHANISM COMPONENTS

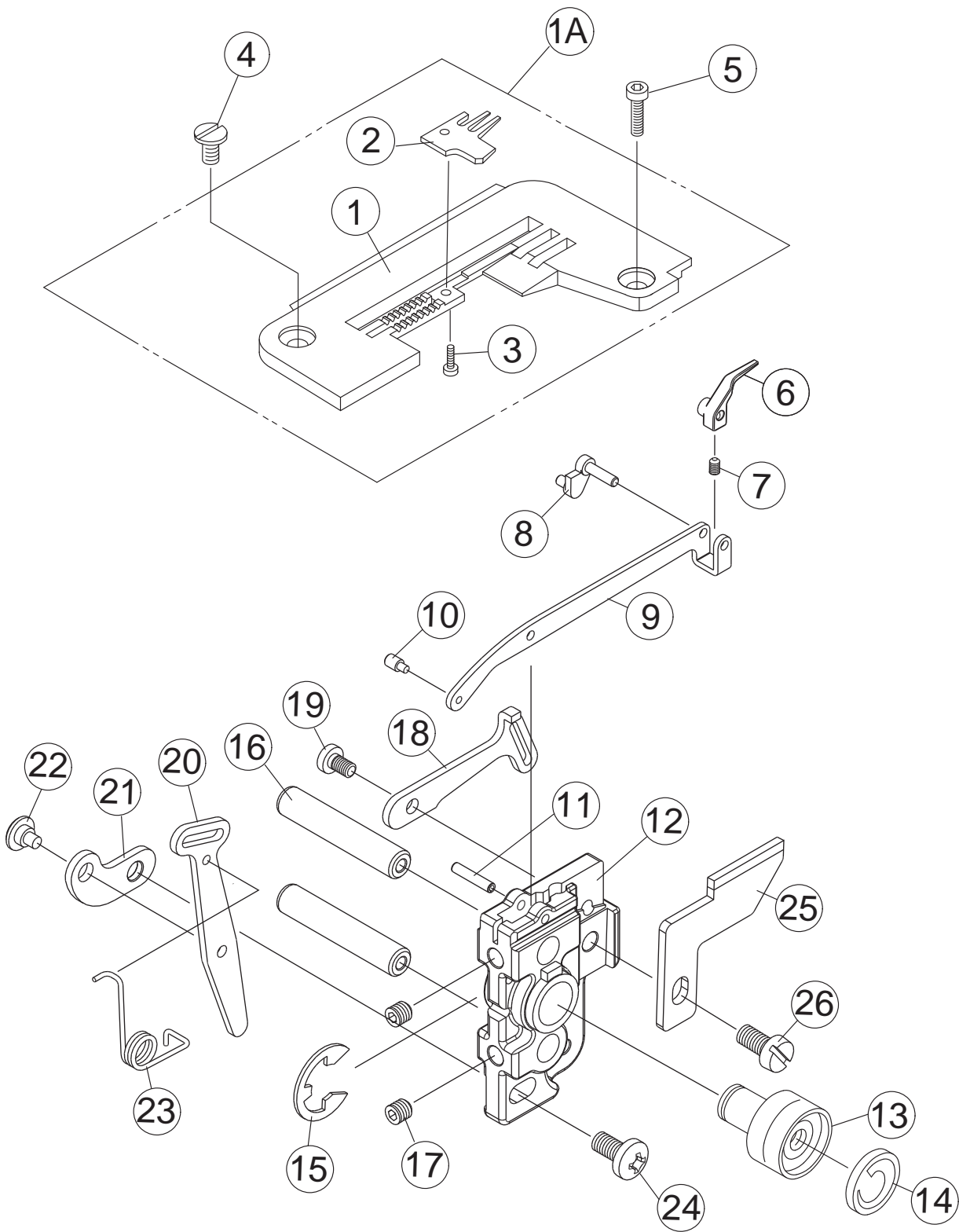




## 7-2. DIFFERENTIAL FEED & STITCH LENGTH COMPONENTS

<u>NO.</u>	<u>PARTS NUMBER</u>	<u>Q'TY</u>	<u>DESCRIPTION</u>
1	B2903-04A	1	Feed arm shaft
2	RO-RE070-P	1	E-ring
3	B2930-04B	1	Feed arm
4	RO-SM4004FY	1	Screw
5	B2920-03A-P	1	Feed arm shaft plate
6	RO-SM4008ZU	2	Screw
7	B2903-01B-OY	1	Driving arm shaft
8	RO-RE050-P	2	E-ring
9	B3025-04A-C	1	Main feed dog
10	RO-SM3016NK	2	Screw
11	B2903-05A	1	Main feed dog shaft
12	B3025-02C-C	1	Sub feed dog
13	B3303-02A	1	Sub feed dog shaft
14	B2925-02B	2	Feed dog driving block
15	RO-SM4004WY	2	Screw
16	B2921-03B-PY	1	Feed arm plate
17	RO-SM4008ZU	2	Screw
18	RO-SM3008BK	1	Screw
19	B2951-03A	1	Spring
20	RO-SM4020NK	1	Screw
21	B2987-02A-PY	1	Feed arm plate roller
22	B2903-03A-PY	1	Feed arm plate roller shaft

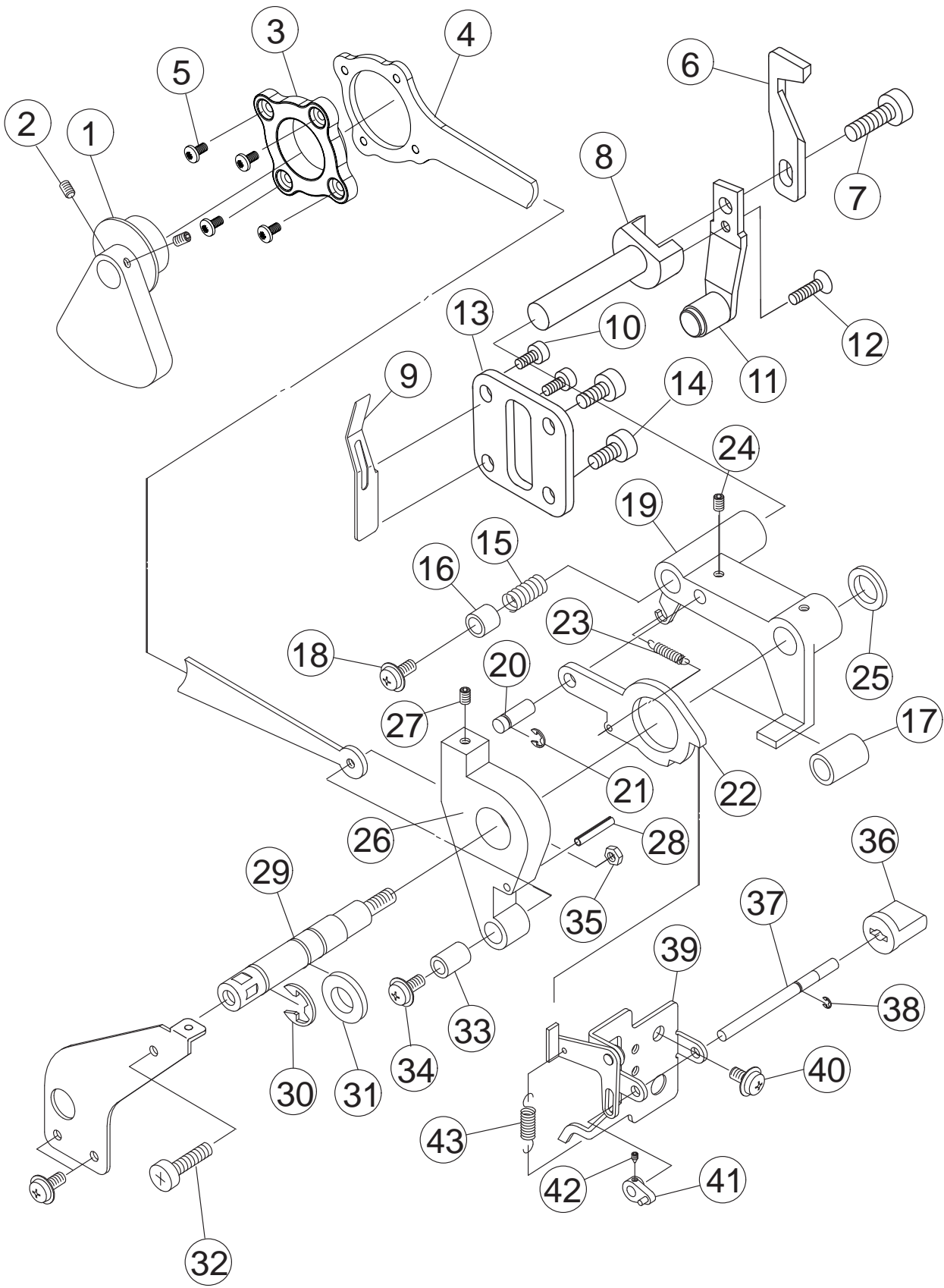
# 8. NEEDLE PLATE & STITCH WIDTH COMPONENTS



## 8. NEEDLE PLATE & STITCH WIDTH COMPONENTS

NO.	PARTS NUMBER	Q'TY	DESCRIPTION
1	B3701-02B-C	1	Needle plate
1A	B3720S07A	1	Needle plate set of 1-3
2	B3721-09A-OY	1	Needle plate finger
3	RO-SC2030NY	1	Screw
4	RO-SM4008GQ	1	Screw
5	RO-SM3006CY	1	Screw
6	B4701-01A-OY	1	Adjusting chaining tongue
7	RO-SM2003WY	1	Screw
8	B4715-01A-P	1	Chaining tongue holder pin
9	B4720-02A-PY	1	Chaining tongue holder
10	B4758-01A-P	1	Pin
11	RO-PW2010W	1	Pin
12	B4730-03A	1	Knife holder
13	B4789-01B-33	1	Stitch width adjusting dial
14	B4789T01A-33	1	Stitch width dial cap
15	RO-RE080-P	1	E-ring
16	B4755-02A-P	2	Stitch width adjusting shaft
17	RO-SM4004FY	2	Screw
18	B4720-05A-PY	1	Pin guide
19	RO-SM3005ZU	1	Screw
20	B4720-03A-P	1	Chaining tongue lever set
21	B4720-04A-P	1	Chaining tongue link
22	B8858T01A-P	1	Pin
23	B4752-02A	1	Spring
24	RO-SM4008ZU	1	Screw
25	B4471-03A-OY	1	Knife
26	RO-SM4008HS	1	Screw

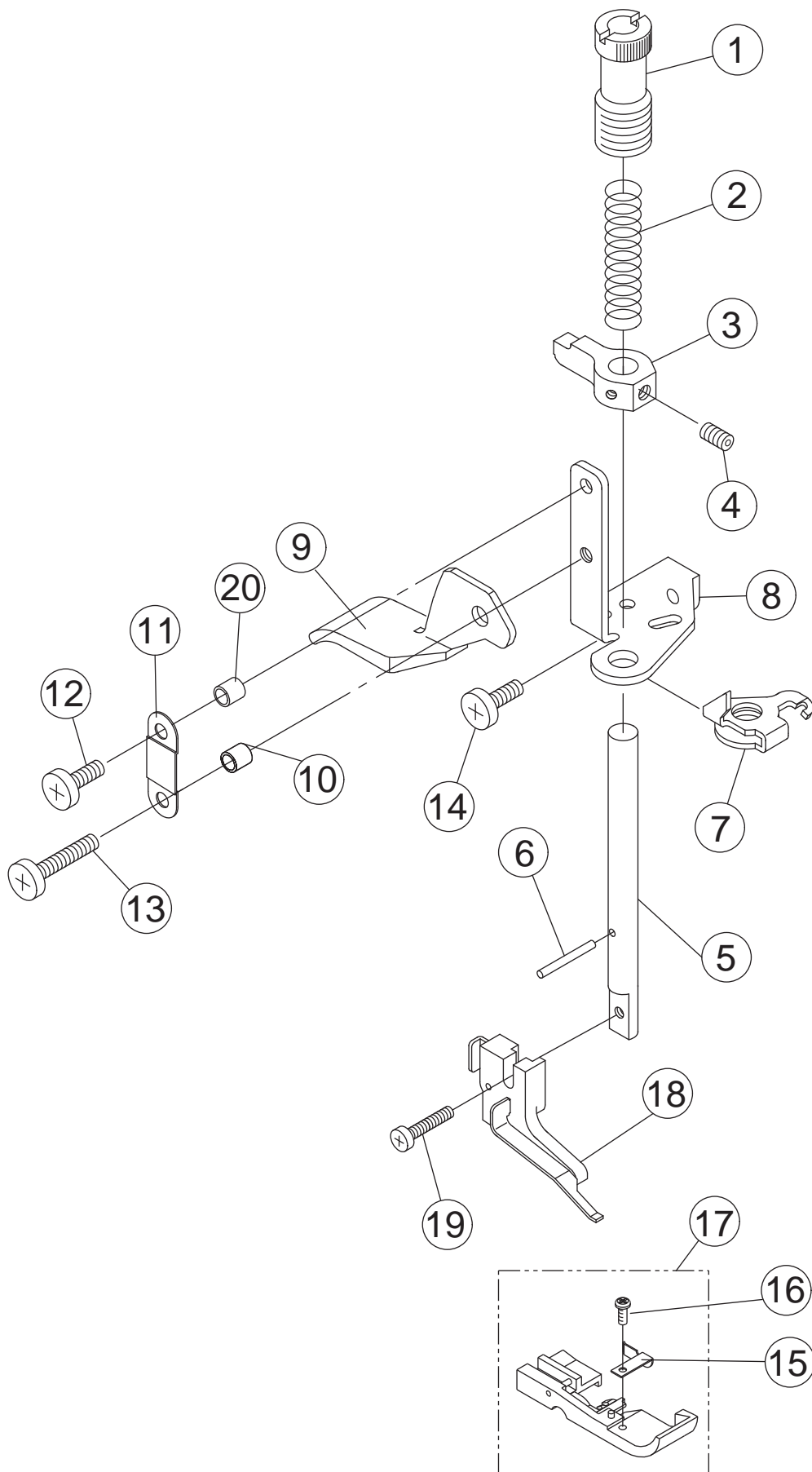
# 9. UPPER KNIFE DRIVING COMPONENTS



## 9. UPPER KNIFE DRIVING COMPONENTS

NO.	PARTS NUMBER	Q'TY	DESCRIPTION
1	B4240-01A	1	Knife driving cam
2	RO-SM4004FY	2	Screw
3	B1626-03A	1	Driving rod holder
4	B4220-10A-P	1	Knife driving rod
5	RO-SM3006EU	4	Screw
6	B4401-04A-OY	1	Upper knife
7	RO-SM4008HS	1	Screw
8	B4230-01A-PY	1	Upper knife holder
9	B3821-02A-PY	1	Front needle guard
10	RO-SM3005ZU	2	Screw
11	B4220S01A	1	Knife guide arm set
12	RO-SM2605KK	1	Screw
13	B4220-03A-PN	1	Knife guide plate
14	RO-SM4008ZU	2	Screw
15	B4250-01A	1	Upper knife holder spring
16	B4237-01A	1	Upper knife holder bush
17	B4205-02A	1	Bush
18	RO-SM4006TK	1	Screw
19	B4215-03C	1	Knife driving connecting arm
20	B4255-01A-PY	1	Knife driving plate pin
21	RO-RE030-P	1	E-ring
22	B4220-02A-PY	1	Knife driving plate
23	B4351-01A	1	Spring
24	RO-SM3004WY	1	Screw
25	RO-WF801505	1	Spacer
26	B4215-01A	1	Knife driving arm
27	RO-SM4004FY	1	Screw
28	RO-PS3512WP	1	Pin
29	B4203-05A-OY	1	Knife driving shaft
30	RO-RE070-P	1	E-ring
31	RO-WP801612K	1	Spacer
32	RO-SM4006TK	1	Screw
33	B8837-05A-P	1	Spacer
34	RO-SM4014TK	1	Screw
35	RO-NM40H1K	1	Nut
36	B4388-01A-33	1	Knife position selector knob
37	B4303-01A-P	1	Selector shaft
38	RO-RE030-P	1	E-ring
39	B4365S01A	1	Knife driving joint lever set
40	RO-SM4008ZU	1	Screw
41	B4340-01A-N	1	Selector cam
42	RO-SM3004WY	1	Screw
43	B4351-02A	1	Spring

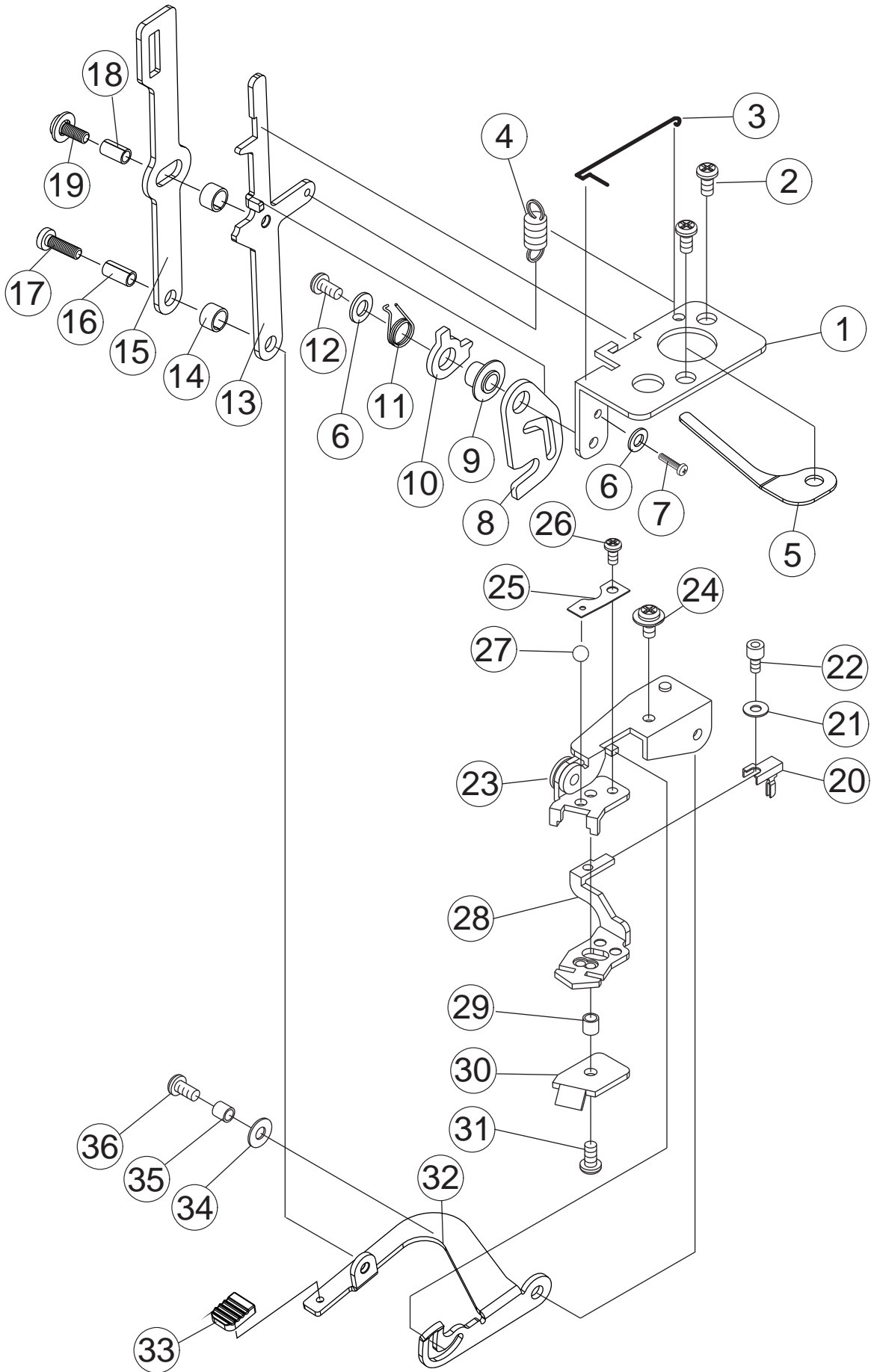
# 10. PRESSER FOOT COMPONENTS



## 10. PRESSER FOOT COMPONENTS

<u>NO.</u>	<u>PARTS NUMBER</u>	<u>Q'TY</u>	<u>DESCRIPTION</u>
1	B5101-01A-33	1	Pressure adjuster screw
2	B5150-01A	1	Presser bar spring
3	B5125-01B	1	Presser bar clamp
4	RO-SM4004WY	1	Screw
5	B5103-01B	1	Presser bar
6	RO-SP2018WP	1	Pin
7	B6743-03A-PY	1	Thickness sencer cam
8	B5121-01B-P	1	Presser bar fixing plate
9	B5165-02A-33	1	Presser bar lifter
10	B8837-01A-P	1	Spacer
11	B5120-02A-P	1	Presser bar clamp guide
12	RO-SM4014NK	1	Screw
13	RO-SM4010XK	1	Screw
14	RO-SM4008ZU	1	Screw
15	PL-P11-04B	1	Tape guide
16	RO-SS0603HP	1	Screw
17	B5001K01A	1	Presser foot set
18	B5001S01B	1	Presser foot holder set
19	RO-SM3008ZU	1	Screw
20	B8837-11A-P	1	Spacer

# 11. NEEDLE THREADER COMPONENTS





## 11. NEEDLE THREADER COMPONENTS

NO.	PARTS NUMBER	Q'TY	DESCRIPTION
1	B5720-08A-P	1	Safety plate holder
2	RO-SM4008ZU	2	Screw
3	B5752-01A	1	Safety plate holder
4	B5751-02A	1	Spring
5	B5753-03A-PY	1	Release spring
6	RO-WP3005MU	2	Screw
7	RO-SM3010ZU	1	Screw
8	B5720-06A-P	1	Stopper plate
9	B5757-01A-P	1	Bush
10	B5743-01A-P	1	Release cam
11	B5725-02A	1	Spring
12	RO-SM3010ZU	1	Screw
13	B5720-09A-N	1	Needle threader safety plate
14	RO-SP5004K	2	Spacer
15	B5720-07A-N	1	Release spring plate
16	RO-SP3008K	1	Spacer
17	RO-SM3010ZU	1	Screw
18	RO-SP3007K	1	Spacer
19	RO-SM3010NK7	1	Screw
20	B5701K02A	1	Threader hook set
21	RO-WP2505MK	1	Washer
22	RO-SM2504CY	1	Screw
23	B5758S02B	1	Needle threader holder set
24	RO-SM3006NK3	1	Screw
25	B5753-02A-P	1	Spring
26	RO-SM26.03U	1	Screw
27	208-5102-05A	1	Steel ball
28	B5721-07B-N	1	Needle threader select plate
29	B8837-08A-P	1	Spacer
30	B5720-04A-N	1	Select plate cover
31	RO-SM3006NC	1	Screw
32	B5765-01A-N	1	Needle threader lever
33	B5788T01A-33	1	Needle threader lever cap
34	RO-WP4008MK	1	Washer
35	RO-B8837-09A-U	1	Spacer
36	RO-SM3005ZU	1	Screw

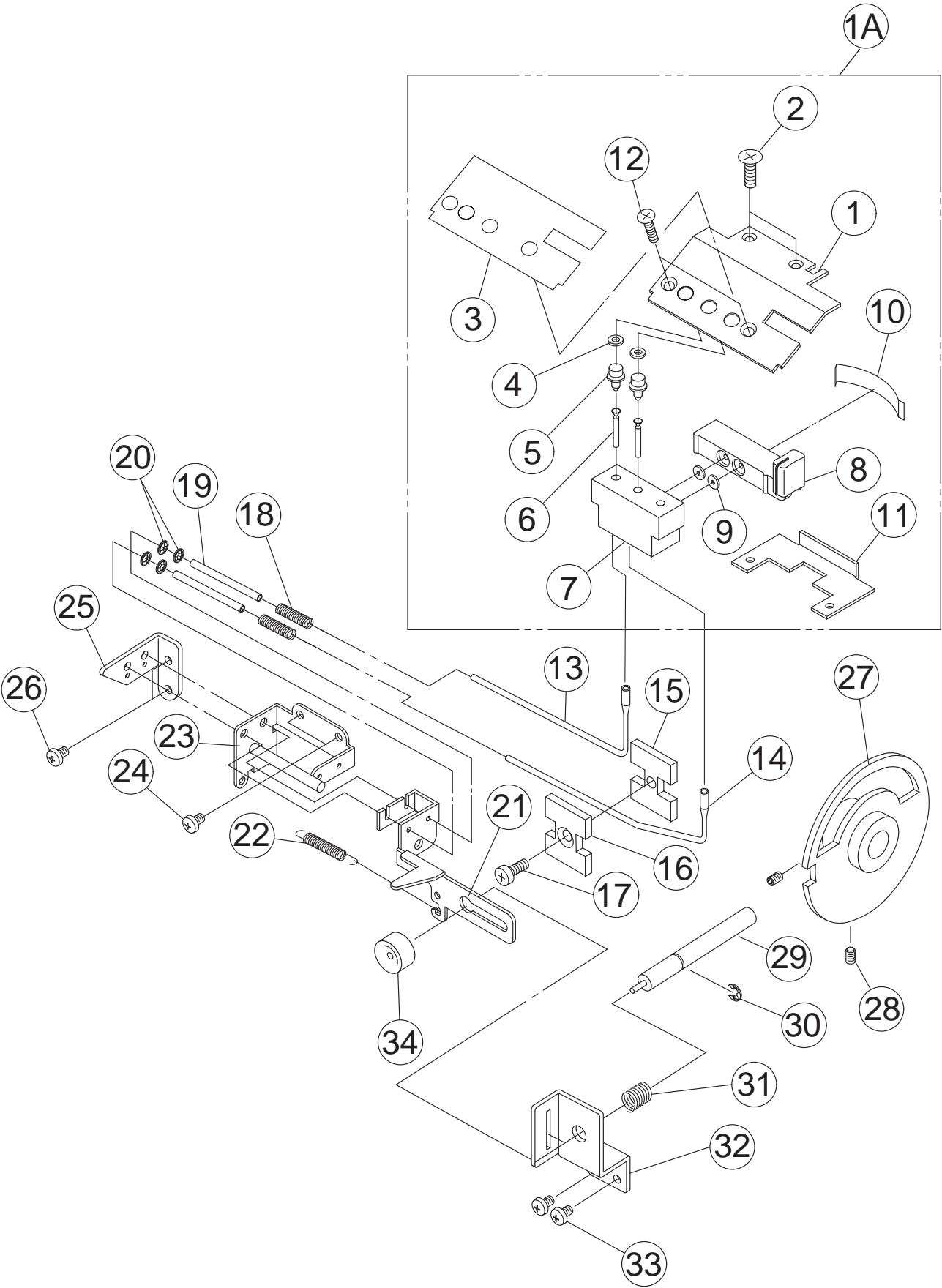
## 12. PUMP COMPONENTS



## 12. PUMP COMPONENTS

<u>NO.</u>	<u>PARTS NUMBER</u>	<u>Q'TY</u>	<u>DESCRIPTION</u>
1	B5821-02A-P	1	Pump holder
2	RO-ST3008SK	2	Screw
3	RO-SP3008K	1	Spacer
4	RO-SM3012NK	1	Screw
5	B5825-04B	1	Pump cylinder
6	B5891-04A	1	Pump cylinder tube
7	B5825-03A	1	Piston cap
8	B5825-02A	1	Pump cylinder piston
9	RO-ST5012KK	1	Screw
10	B5821-01A-P	1	Piston driving arm
11	RO-SM3005ZU	1	Screw
12	RO-B5803-01A-P	1	Piston driving shaft
13	RO-PS2014WP	1	Pin
14	B5851-01A	1	Spring
15	B5865-01A-33	1	Threader pump lever
16	RO-PS2018WP	1	Pin
17	RO-PS3018WP	1	Pin

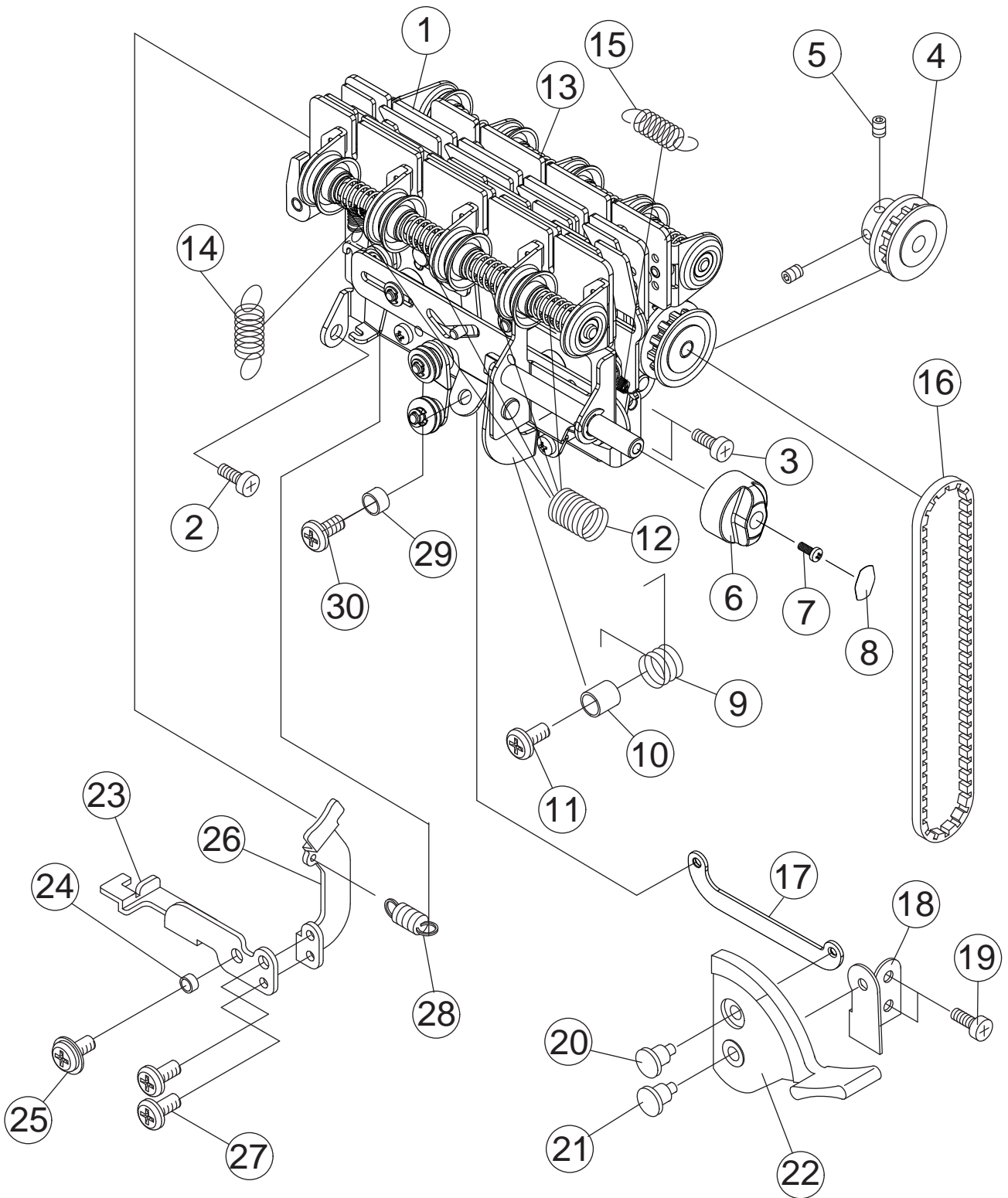
# 13. LOOPER THREADER COMPONENTS



### 13. LOOPER THREADER COMPONENTS

NO.	PARTS NUMBER	Q'TY	DESCRIPTION
1	B5820-05A-S	1	Threader selector plate
1A	B5801B08A	1	Threader selector plate set of 1 - 11
2	RO-SM3008KK	2	Screw
3	B5824-09A	1	No oil seal
4	B8892-02A	2	O-ring
5	B5825-05B	2	Threader inlet
6	B5811T03A	2	Threader inlet pipe
7	B5830T04A-33	1	Threader inlet holder
8	B5888T02A-33	1	Threader selector
9	B8892-01A	2	O-ring
10	B5853-01A	1	Spring
11	RO-B5820-11A-U	1	Selector hold plate
12	RO-SM2612KU	2	Screw
13	B5811-08B	1	Upper looper threading pipe
14	B5811-11A	1	Lower looper threading pipe
15	RO-B5820-07A-U	1	Pipe holder (1)
16	RO-B5820-08A-U	1	Pipe holder (2)
17	RO-SM3008ZU	1	Screw
18	B5850-05A	2	Joint pipe spring
19	B5811-09A	2	Joint pipe
20	RO-RP024EP	4	Push ring
21	B5821-10A-C	1	Engaging shaft release lever
22	B5851-03A	1	Spring
23	B5821S02A-U	1	Overlock looper threading pipe holder set
24	RO-SM3005ZU	2	Screw
25	B6421-02B-C	1	Thread take-up guide
26	RO-SM3005ZU	2	Screw
27	B5820S01A-P	1	Machine engaging plate set
28	RO-SM4004FY	2	Screw
29	B5803-02A-P	1	Machine engaging shaft
30	RO-RE050-P	1	E-ring
31	B5850-03A	1	Spring
32	B5821-04B-P	1	Release lever holder
33	RO-SM3005ZU	2	Screw
34	B5888-01A-33	1	Engaging shaft cap

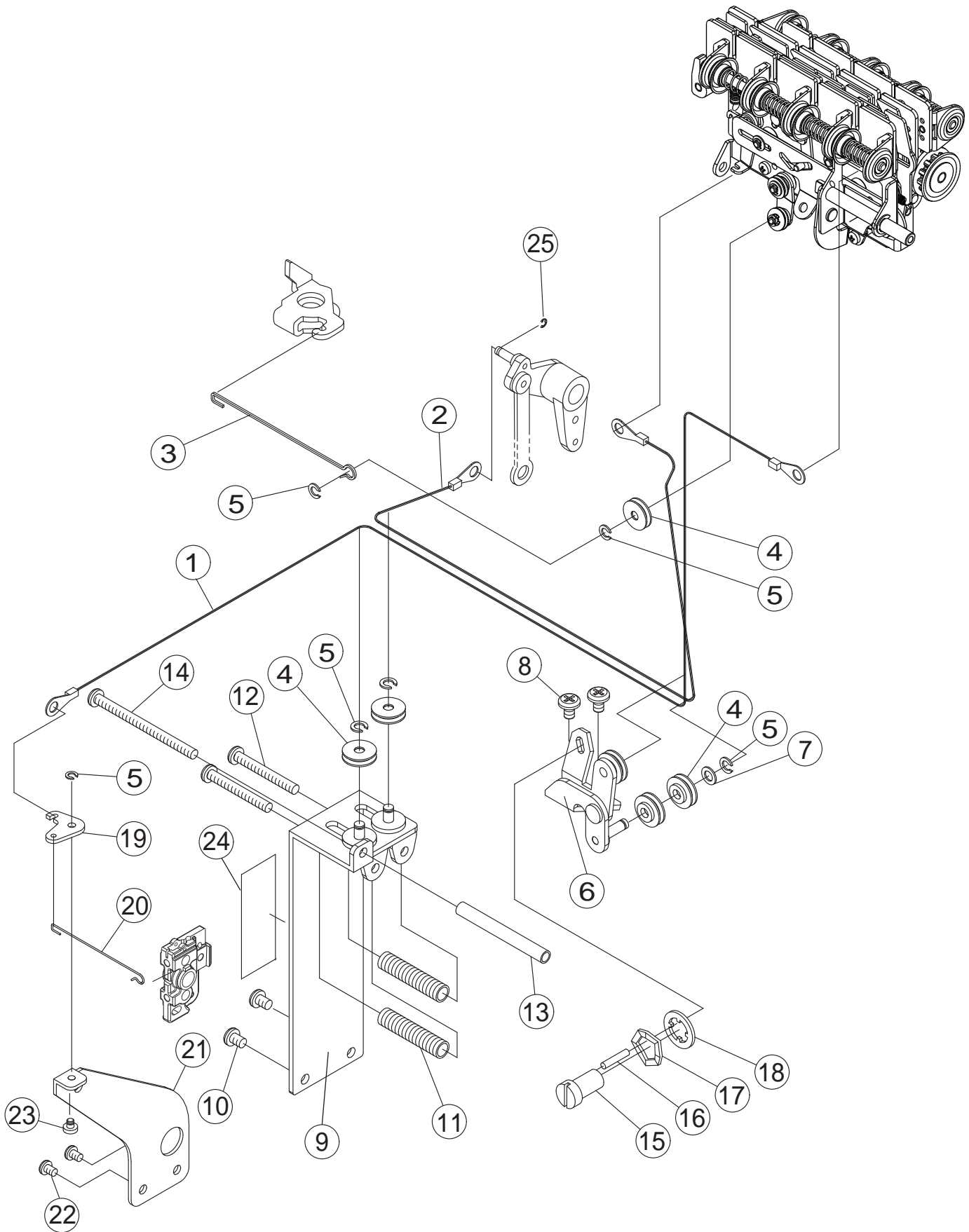
# 14-1. THREAD DELIVERY SYSTEM COMPONENTS



## 14-1. THREAD DELIVERY SYSTEM COMPONENTS

NO.	PARTS NUMBER	Q'TY	DESCRIPTION
1	RO-B6700A07A	1	Thread delevry system unit
2	RO-SM4008ZU	1	Screw
3	RO-SM4006TK	2	Screw
4	B6778T01A	1	Timing pulley
5	RO-SM4004FY	2	Screw
6	B6788-01A-33	1	Wave convert dial
7	RO-SM3008ZU	1	Screw
8	B6724-02A	1	Seal
9	B6752-01A	1	Spring
10	RO-SP3003K	1	Spacer
11	RO-SM3005ZU	1	Screw
12	B6750-03A	7	Spring
13	B6750-08A	1	Spring for right needle rear only
14	B6751-02B	1	Spring
15	B6751-01A	1	Spring
16	B6763-01A	1	Timing belt
17	RO-B6861-01A-P	1	Connecting rod
18	RO-B6821T04A-P	1	Stitch selector base
19	RO-SM4008ZU	2	Screw
20	B8858T03A-P	1	Pin
21	B8858T02A-P	1	Pin
22	B6865-01A-33	1	Stitch selector
23	B6521-03A-PY	1	Disc release rink
24	RO-SP3002K	1	Spacer
25	RO-SM3008NK7	1	Screw
26	B6561-03A-PY	1	Disc release plate
27	RO-SM3008ZY	2	Screw
28	B6751-04A	1	Spring
29	RO-SP3002K	1	Spacer
30	RO-SM3005ZU	1	Screw

# 14-2. THREAD DELIVERY SYSTEM CABLE COMPONENTS

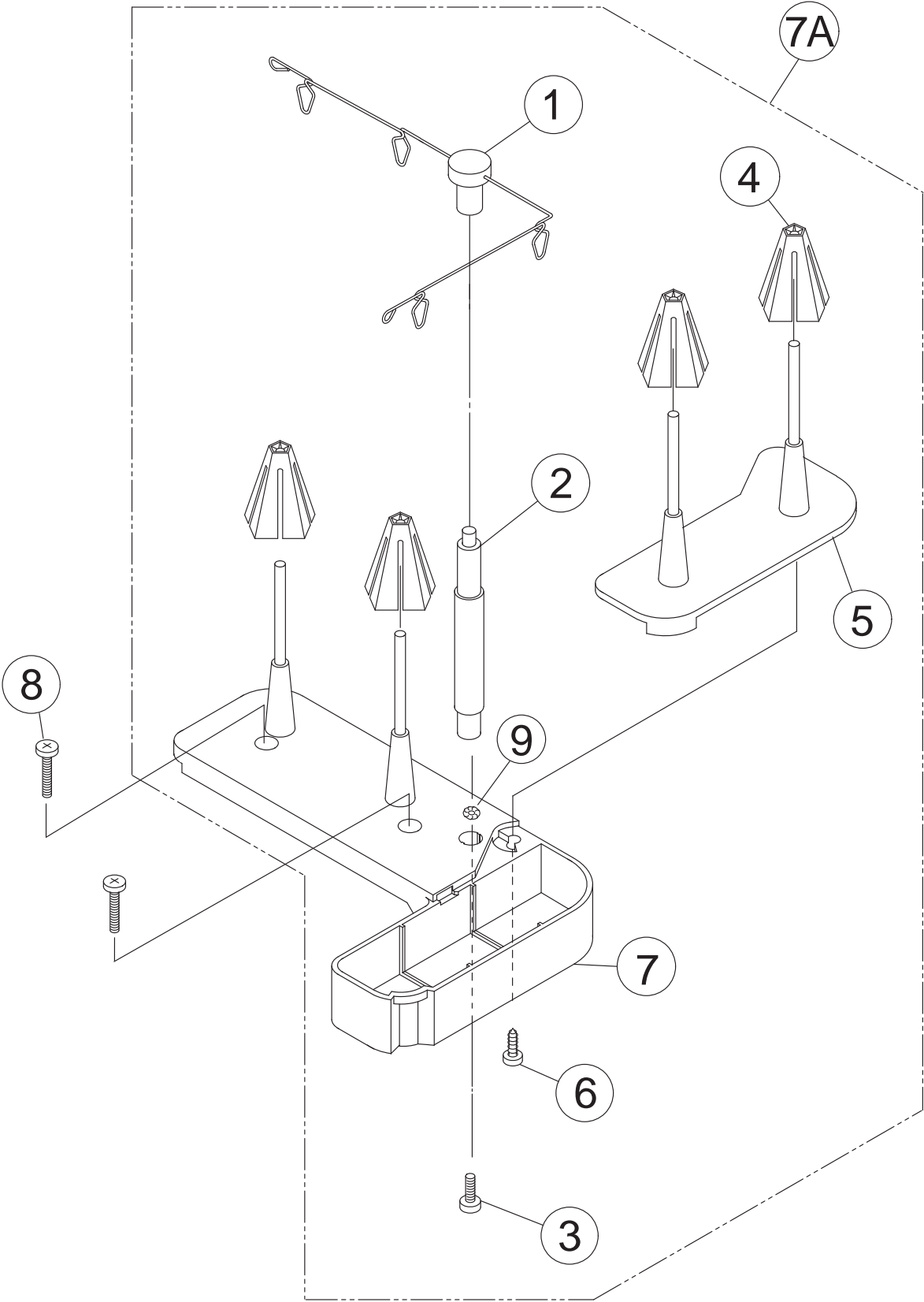




## 14-2. THREAD DELIVERY SYSTEM COMPONENTS

NO.	PARTS NUMBER	Q'TY	DESCRIPTION
1	B6764-05A	1	Looper thread adjusting cable
2	B6764-01B	1	Needle thread adjusting cable
3	B6860-02A	1	Thickness sensor rod
4	B6887-01A	6	Cable guide roller
5	RO-RE020-P	6	E-ring
6	B6821A01A	1	Cable relay roller holder set
7	RO-WP3005MU	1	Washer
8	RO-SM4006NP	2	Screw
9	RO-B6821T03B-P	1	Cable adjusting roller holder
10	RO-SM3005ZU	2	Screw
11	B6850-01A	2	Spring
12	RO-SM3025NK	2	Cable adjusting screw
13	RO-SP3035K	1	Spacer
14	RO-SM3040NK	1	Screw
15	RO-B6704-01A-U	1	Fine tuning screw
16	RO-PS2012WP	1	Pin
17	RO-WW6015-S	1	Wave washer
18	RO-RS060EP	1	Push ring
19	B6823-01A-P	1	Looper thread adjusting cable link
20	B6860-03A	1	Looper thread adjusting cable rod
21	B4220S03A	1	Knife driving shaft holder set
22	RO-SM4008ZU	2	Screw
23	B6856-03A-P	1	Pin
24	B8024-02B	1	Caution seal for CE (EU)
25	RO-RE-020-P	1	E-ring

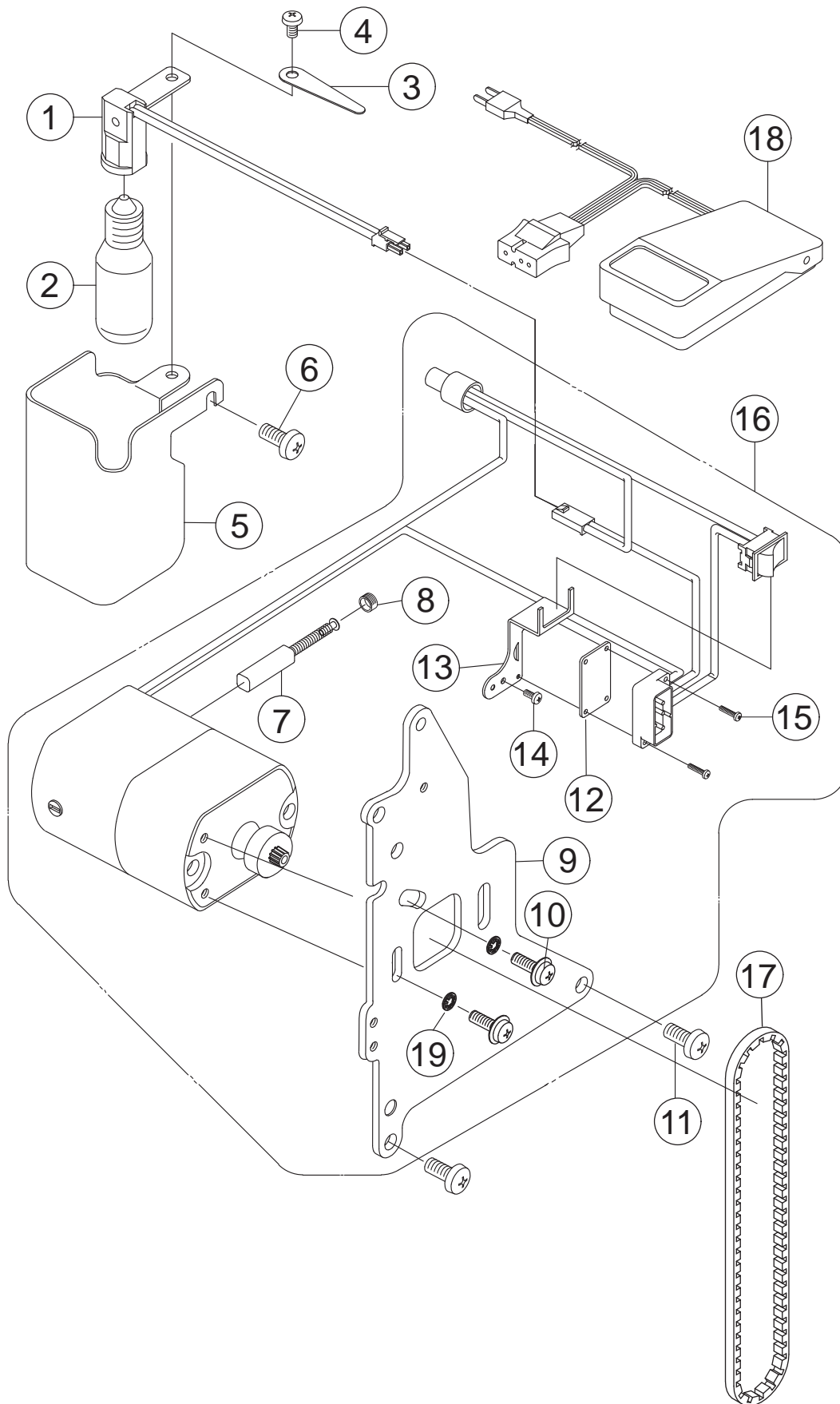
15. SPOOL STAND COMPONENTS



## 15. SPOOL STAND COMPONENTS

<u>NO.</u>	<u>PARTS NUMBER</u>	<u>Q'TY</u>	<u>DESCRIPTION</u>
1	B6654S01A-33	1	Telescopic thread guide
2	205-0103-01E-J2	1	Telescopic pipe
3	RO-SM4010KT	1	Screw
4	615-0102-02B	4	Spool wedge
5	B6630-02A-33	1	Accessory compartment cover
6	RO-ST5006NK	1	Screw
7	B6630-01A-33	1	Spool stand
7A	B6601A01A-33	1	Spool stand set of 1-7
8	RO-SM4050EU	2	Screw
9	RO-WT408505U1	1	Washer

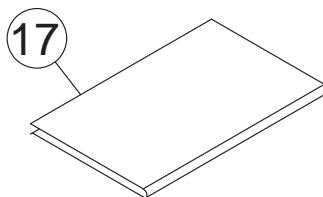
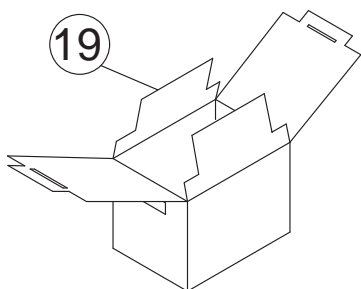
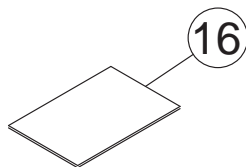
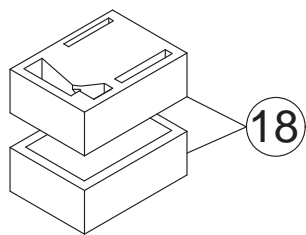
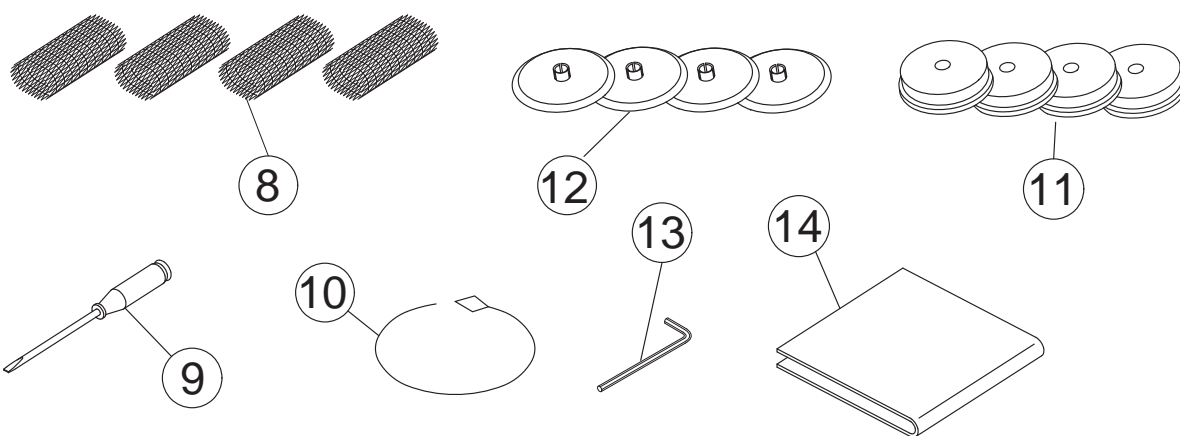
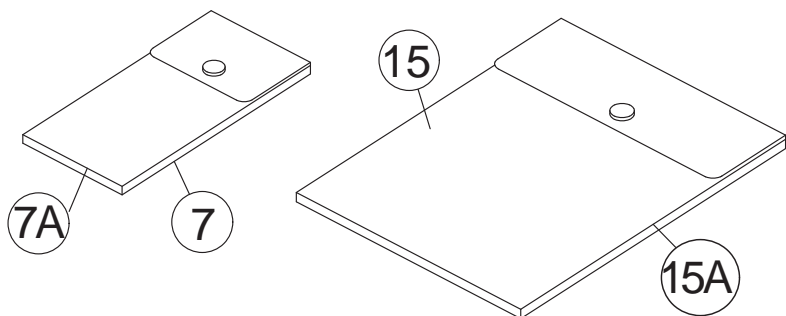
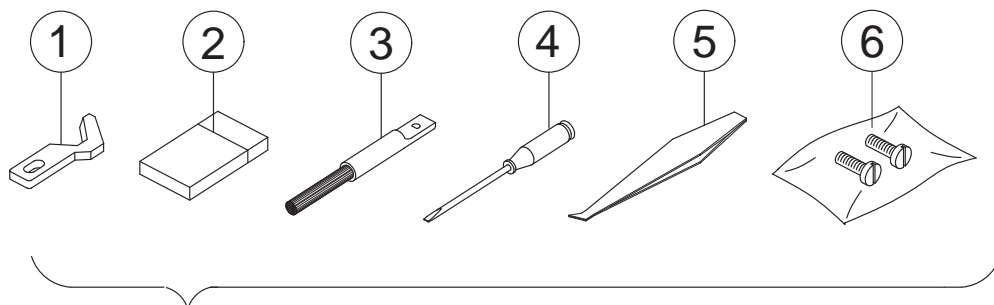
# 16 . MOTOR CONTROLLER & LAMP COMPONENTS



## 16. MOTOR, CONTROLLER & LAMP COMPONENTS

NO.	PARTS NUMBER	Q'TY	DESCRIPTION
1	RO-B7501S02B	1	Lamp socket set (220V - 240V)
2	RO-B5701-04A	1	Lamp (220V - 240V Blue bulb)
3	B7621-01A	1	Wiring staple
4	RO-SM4008ZU	1	Screw
5	RO-B7523-02A-U	1	Lamp guard
6	RO-ST3008NK	1	Screw
7	205-0301-02A/220	2	Carbon brush (220V - 240V)
8	205-0301-03A	1	Carbon brush cap (100V - 120V)
9	RO-B9820-01B-K	1	Motor bracket
10	RO-SM4010IK	2	Screw
11	RO-SM4008ZU	2	Screw
12	205-0301-05A	1	Terminal box insulation plate
13	B9821-01A-K	1	Switch holder
14	RO-SM4008ZU	1	Screw
15	RO-SI-30002	2	Screw
16	RO-L7HA-N	1	Motor set for Australia, New Zealand & Europe
17	615-0303-01A	1	Timing-belt
18	RO-YC483N7A	1	Controller for Europe
19	RO-WT408505U1	2	Washer (220V-240V)

# 17. STANDARD ACCESSORIES



## 17. STANDARD ACCESSORIES

<u>NO.</u>	<u>PARTS NUMBER</u>	<u>Q'TY</u>	<u>DESCRIPTION</u>
1	B4401-04A	1	Upper knife
2	B8293S03A	1	Needle set
3	B8200-03A	1	Needle inserter with brush
4	B8200-10A	1	Screwdriver
5	205-0201-02A	1	Tweezers
6	B8203S02A	1	Needle screw set
7	RO-B8201-01C	1	Accessory bag (small)
7A	RO-B8201S41A	1	Accessory set (Accessory compartment)
8	205-0201-09B	4	Net
9	205-0201-06A	1	Screwdriver (large)
10	B8200S04A	1	Looper threader
11	B8202S01A-33	4	Sponge cap
12	B8202-01A-33	4	Bobbin supporter
13	B8200-11A	1	Allen wrench
14	RO-B8200-07B	1	Vinyl cover
15	RO-2S5-0201-01B	1	Accessory bag (large)
15A	RO-B8201S03A	1	Accessory set (carton box)
16	B8391-10A	1	Quick reference threading guide
17	760	1	Instruction manual
18	B9101S01B	1	Styrofoam
19	B9001-33A	1	Carton box

