

845

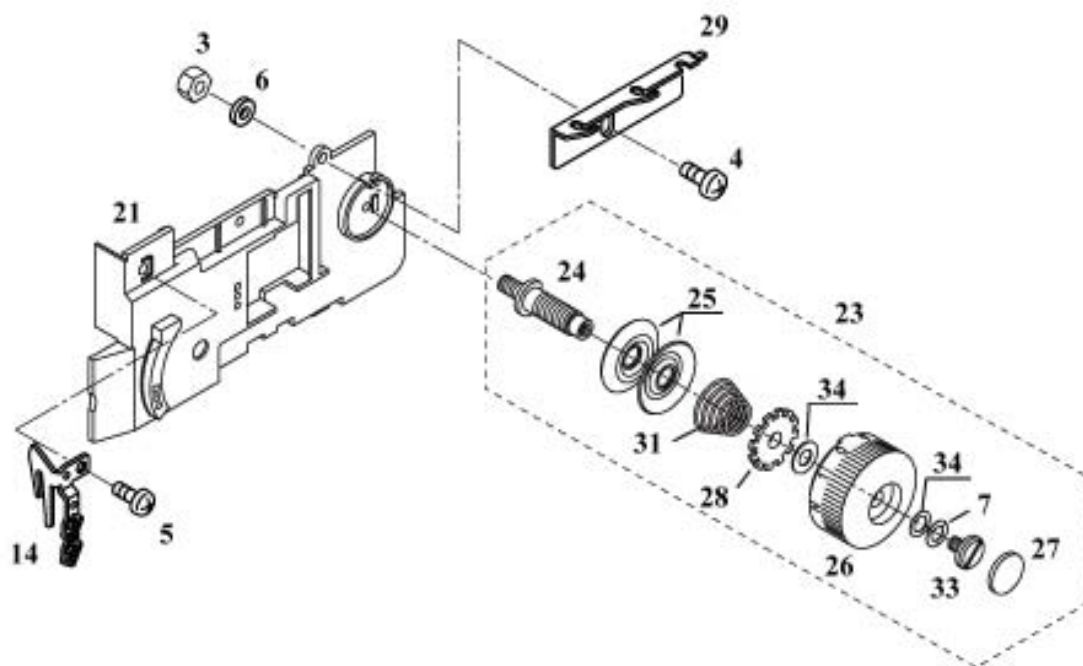
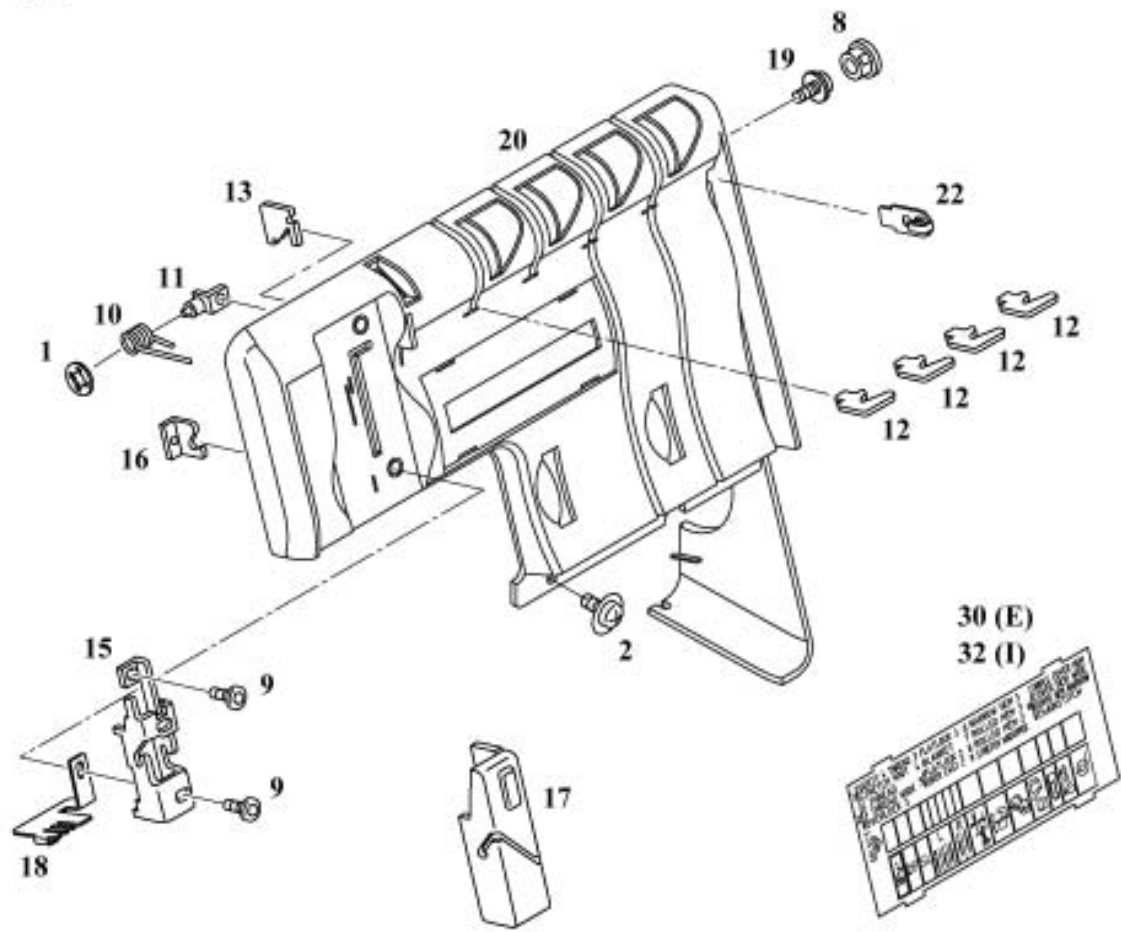
Privilegio di stile

NECCHI



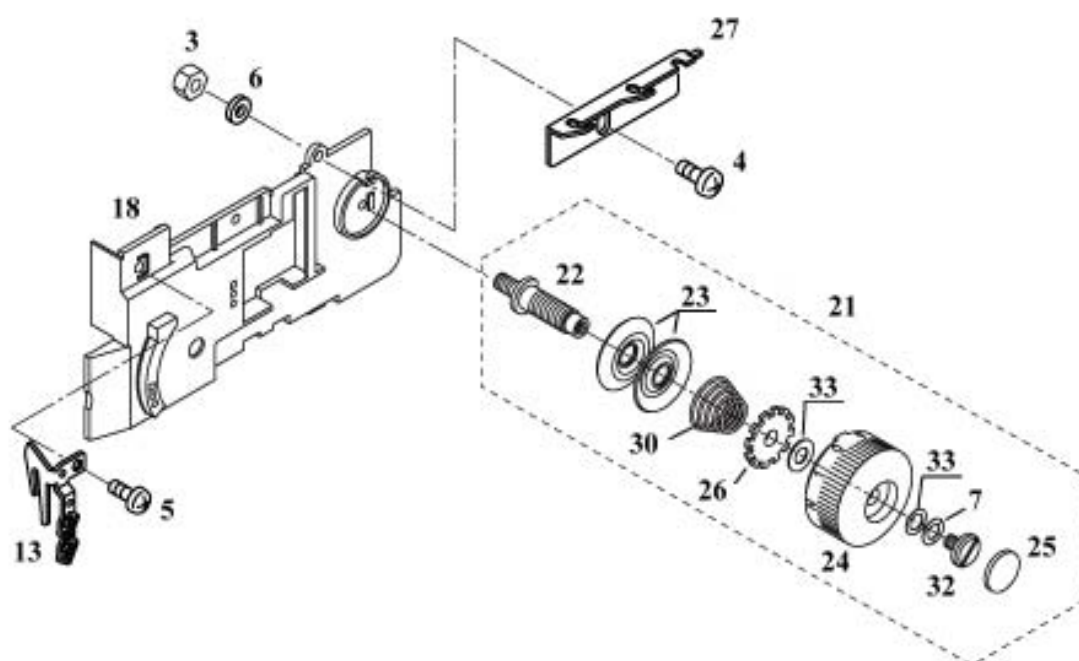
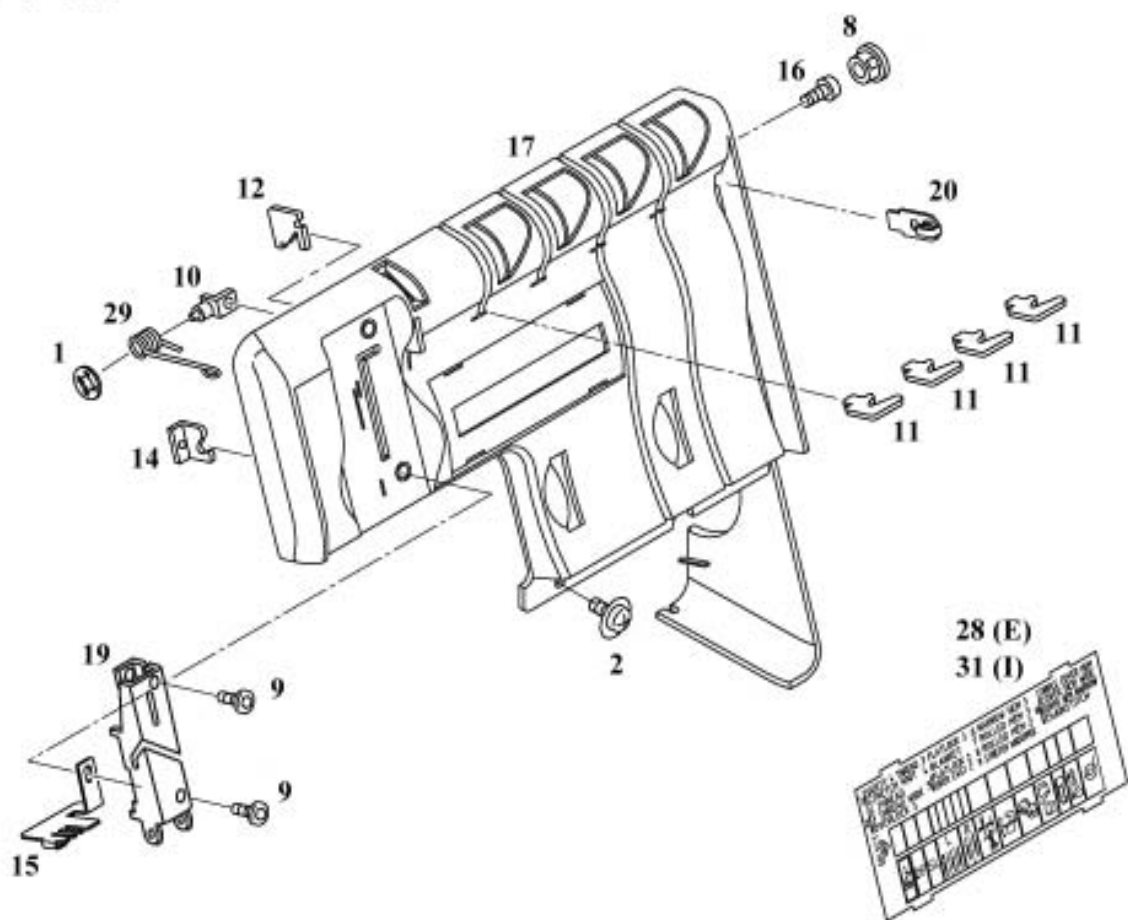
INDEX

FRONT COVER	1 – 1A
REAR / SIDE COVERS / SPOOL STAND / ANTENNA	2
BASE PLATE / FRONT DOOR	3 – 3A
THREAD TENSION / TENSION RELAESE	4 – 4A
SAFETY DEVICE SYSTEM / ACCESSORY STAND	5 – 5A
MOTOR / FOOT CONTROL / CORDS	6
CASING	7 – 7A
PRESSER BAR / NEEDLE BAR / NEEDLE PLATE	8 – 8A
UPPER LOOPER / LOWER LOOPER / CHAIN LOOPER	9
FRONT AND REAR FEED DOG / FEED ASEMBLING SYSTEM	10
HANDWHEEL / MOTOR BELT / MAINSHAFT	11
CUTTING SYSTEM / MOVING AND FIXED BLADES	12
ACCESSORYS / INSTRUCTION BOOK	13



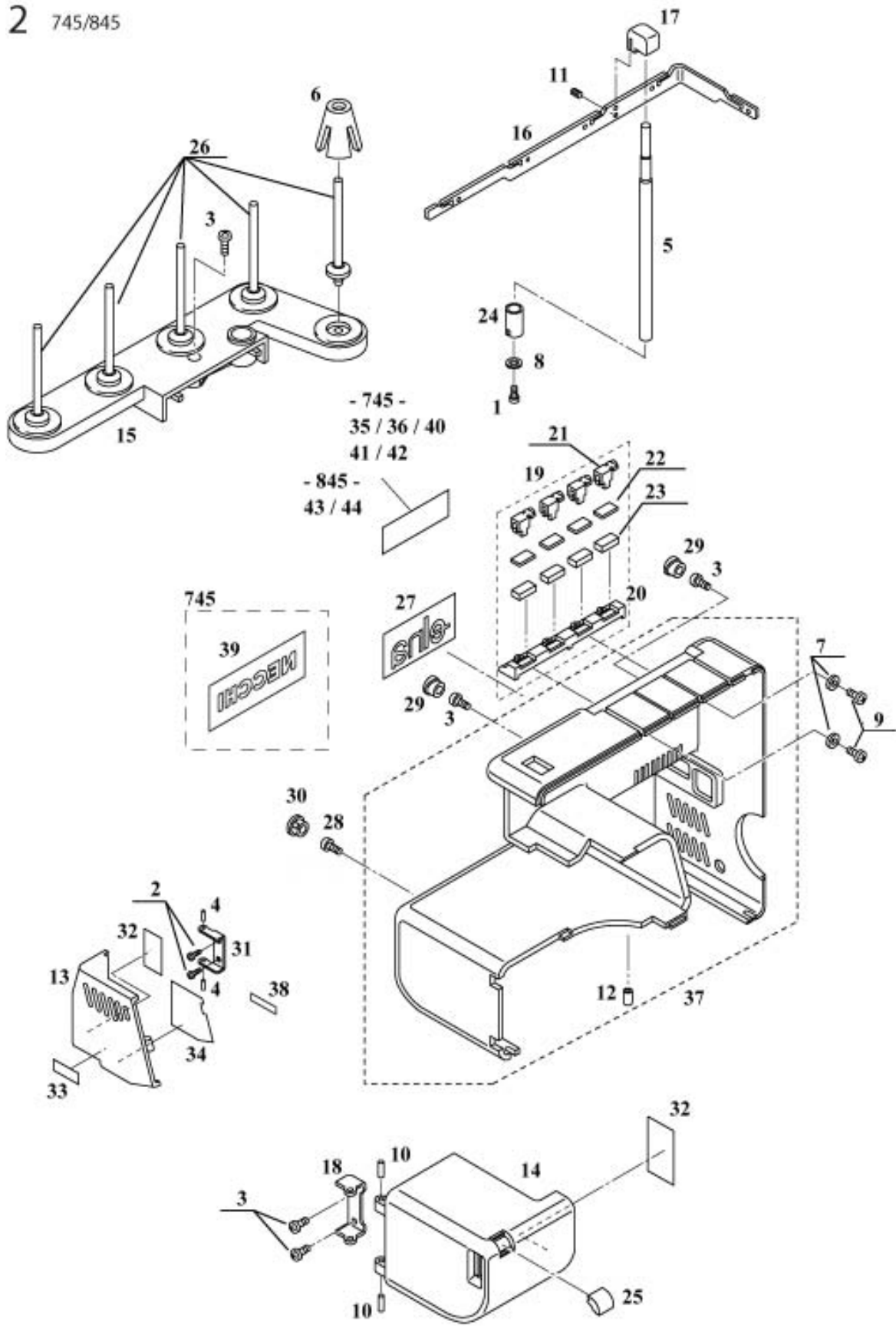
N°	N° EIC	Description
1	396012-66	Clip ring #4
2	395049-19	Screw - TPM4x10
3	395052-15	Nut M4
4	395052-57	Screw M4x10
5	395003-07	Screw M4x12
6	396008-47	Washer 4x8x0.8
7	396013-05	Washer 5x10x0.16
8	396010-72	Cap ϕ 8 white
9	396013-01	M4x12 Cap screw
10	396016-33	Check spring
11	396016-34	Check spring stud
12	396016-41	Upper thread guide
13	396016-45	CS thread base guide
14	396016-54	Thread guide
15	396016-57	Take-up lever inside cover bracket
16	396016-60	Needle thread guide
17	396016-65	Take-up lever noise cover assem.
18	396019-26	Needle thread guide
19	396026-10	Screw TPM 4x6
20	396029-86	Front panel
21	396029-98	Inside cover
22	306032-15	CS top thread guide (brown)
23	396032-31	Chainstitch dial tension assembled
24	396032-32	Tension stud
25	396032-33	Dial tension disc
26	396032-34	Tension dial (brown)
27	396032-35	Tension dial sticker
28	396032-36	Tension adjustment plate screw
29	396032-40	Thread guide pate
30	396032-47	Program display window, English
31	396032-63	DT spring
32	396032-64	Program display window, Italy
33	395128-09	Screw TPM4x8
34	395128-19	Washer DT

1A 845

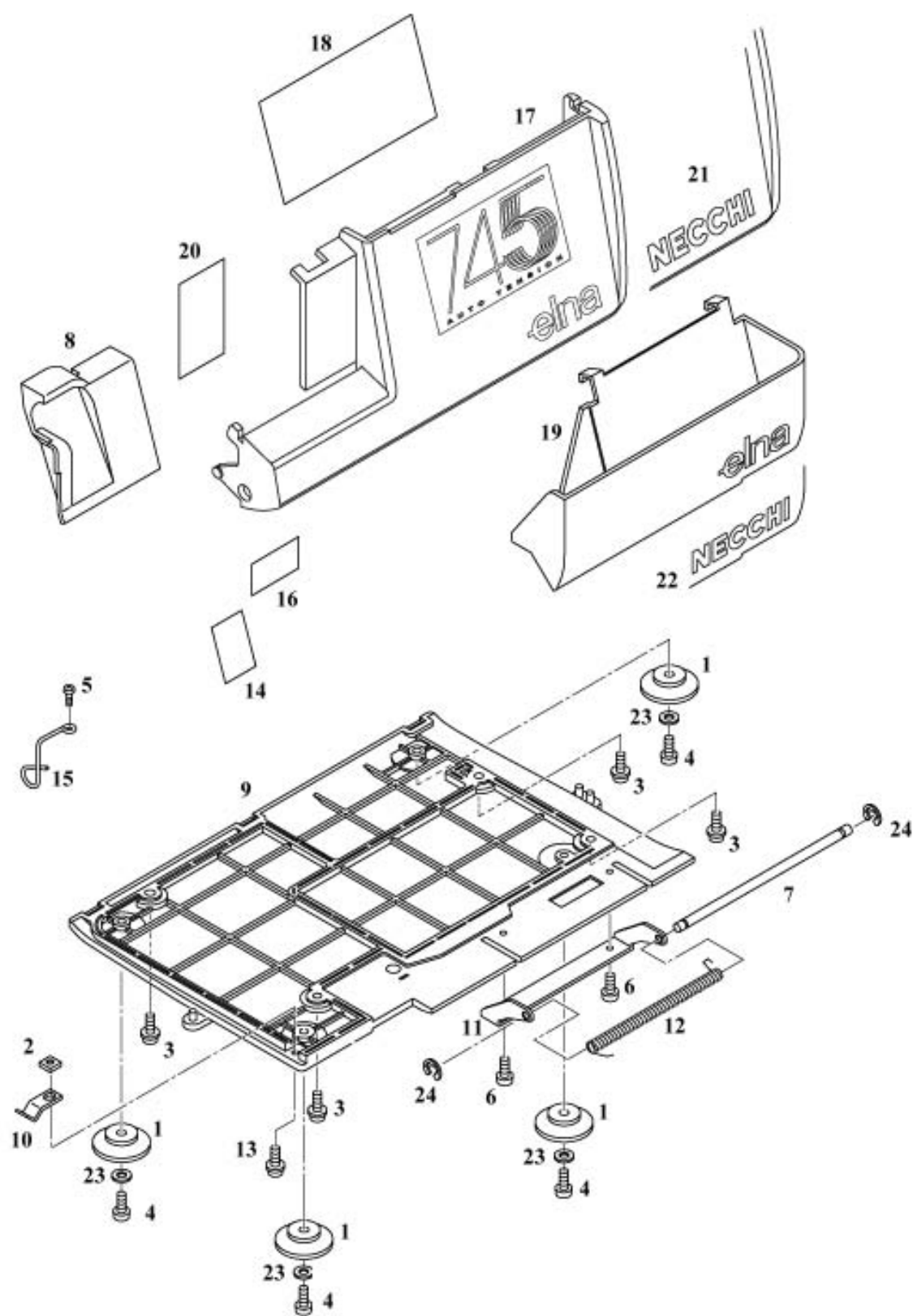


1A

N°	N° EIC	Description
1	396012-66	Clip ring #4
2	395049-19	Screw - TPM4x10
3	395052-15	Nut M4
4	395052-57	Screw M4x10
5	395003-07	Screw M4x12
6	396008-47	Washer 4x8x0.8
7	396013-05	Washer 5x10x0.16
8	396010-72	Cap ϕ 8 white
9	396013-01	M4x12 Cap screw
10	396016-34	Check spring stud
11	396016-41	Upper thread guide
12	396016-45	CS thread base guide
13	396016-54	Thread guide
14	396016-60	Needle thread guide
15	396019-26	Needle thread guide
16	396026-10	Screw TPM 4x6
17	396029-86	Front panel
18	396029-98	Inside cover
19	396032-85	Take-up lever noise cover
20	306032-15	CS top thread guide (brown)
21	396032-31	Chainstitch dial tension assembled
22	396032-32	Tension stud
23	396032-33	Dial tension disc
24	396032-34	Tension dial (brown)
25	396032-35	Tension dial sticker
26	396032-36	Tension adjustment plate screw
27	396032-40	Thread guide pate
28	396032-47	Program display window, English
29	396032-90	Check spring
30	396032-63	DT spring
31	396032-64	Program display window, Italy
32	395128-09	Screw TPM4x8
33	395128-19	Washer DT

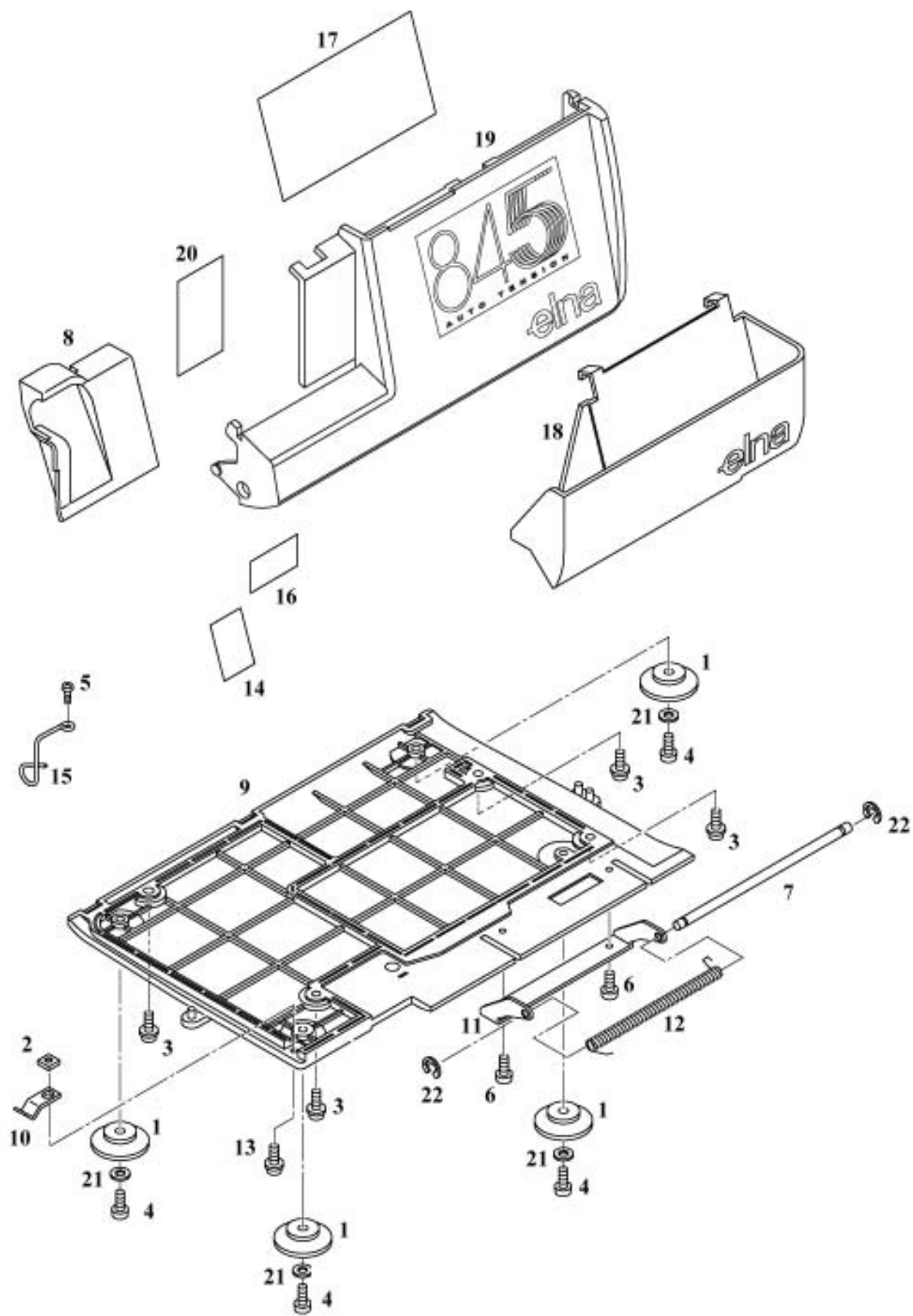


N°	N° EIC	Description
1	395049-19	Screw - TPM4x10
2	395052-37	Screw M4x6
3	395052-57	Screw M4x10
4	396003-16	Roll pin 3x12
5	396015-44	Thread guide pole
6	396002-10	Spool holder
7	396007-98	Washer 3x8x0.5
8	396008-32	Toothed lock washer 4φ
9	396011-39	Tapping screw M3x8.5
10	396011-49	Parallel pin 3x10
11	396011-57	Grub screw M3x8
12	396029-53	Screw SP M4x7.4
13	396015-45	Lamp cover
14	396015-46	Left front cover
15	396015-47	Spool stand
16	396015-48	Thread guide beam, type 3, SUS
17	396015-49	Pole/beam joint
18	396015-50	Left front cover hinge
19	396015-51	Top thread guide set
20	396015-52	Top thread guide base
21	396015-53	Top thread guide plate
22	396015-54	"Top thread guide, button"
23	396015-55	"Top thread guide, cushion"
24	396015-56	Antenna support rod
25	396015-57	Cutting width dial window
26	396015-61	"Spool pin, snap-on"
27	396015-62	"Elna" mark for back cover
28	396014-19	Screw M4x16 pan head
29	396015-64	Screw hall cap M8
30	396015-65	Screw hall cap M9
31	396015-66	Lamp cover hinge
32	396028-88	Face cover caution label (UL/CUL)
33	396019-36	Lamp mark
34	396019-37	Reflex plate
35	396019-49	Serial number plate (120V)
36	396019-50	Serial number plate (230V)
37	396019-58	Back cover
38	396029-59	Rating sticker 230V15W
39	396026-12	NECCHI mark for back cover
40	396029-81	Serial number plate for "Necchi"
41	396032-37	Serial number plate for Australia
42	396032-38	Serial number plate for South Africa
43	396032-92	Serial number plate (120V)
44	396032-93	Serial number plate (230V)



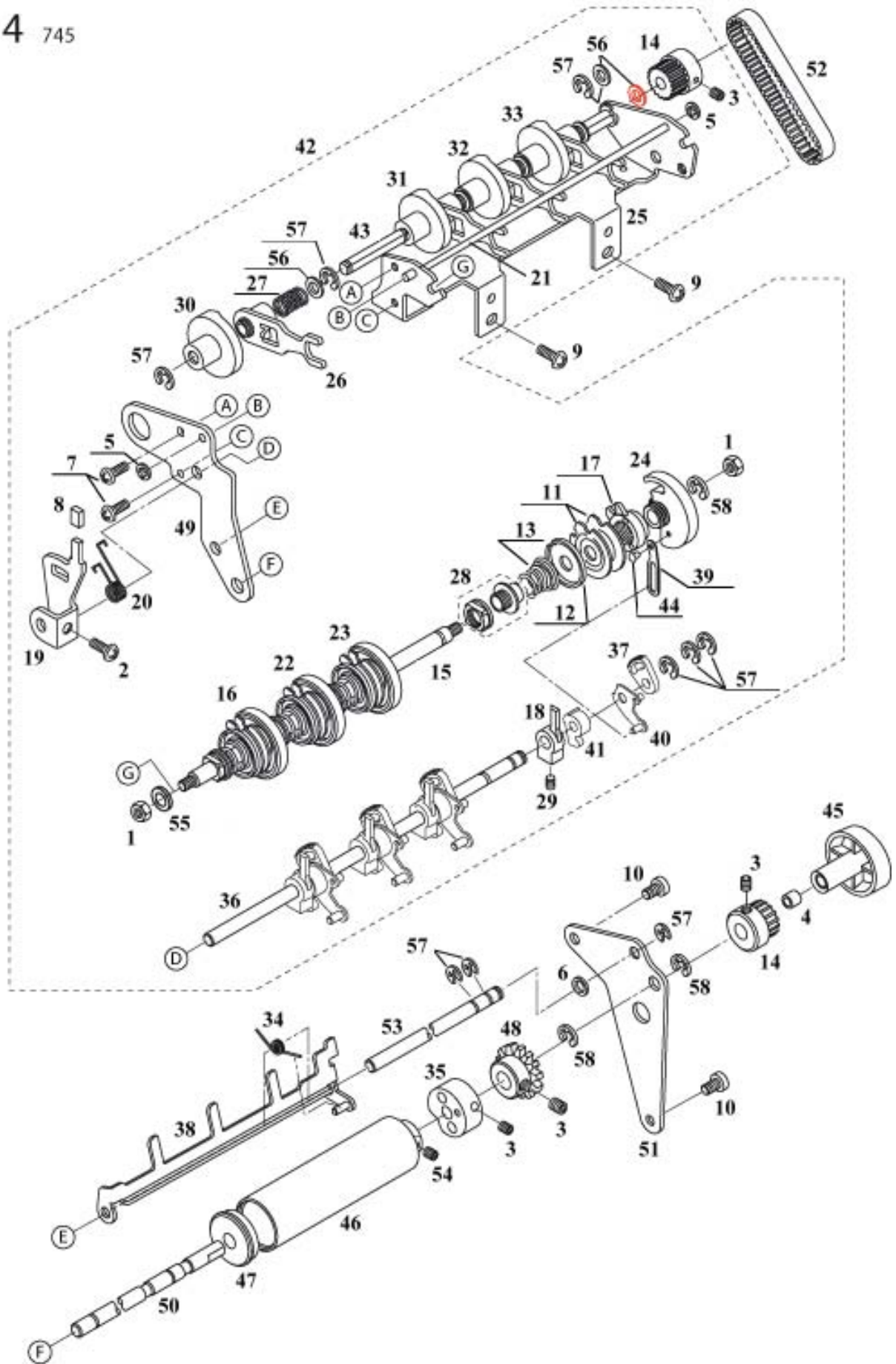
N°	N° EIC	Description
1	396003-40	Rubber foot
2	396007-42	Spring stopper plate
3	396007-80	Screw TPM4x12
4	396007-81	Tapping screw M3x12
5	396011-84	Tapping screw M4x8 S
6	396012-17	Tapping screw M4x10 PC
7	396012-84	Front flap hinge axle
8	396015-16	Overlock sewing table
9	396015-17	Base cover
10	396015-19	Spring stopper plate
11	396015-20	Front flap hinge
12	396015-28	Front flap hinge axle spring
13	396015-30	TP screw M3x10
14	396029-57	Safety notice caution label (UL/CUL)
15	396026-04	Cord holder
16	396029-60	Safety Notice sticker for front cover
17	396032-39	Front flap
18	396032-48	Threading chart 745
19	396032-49	Waste tray
20	396032-62	CS threading chart
21	396032-65	Front flap, Necchi
22	396032-66	Waste tray, Necchi
23	396032-68	Washer 4x10x0.8
24	395464-00	Snap ring #3

3A 845



3A

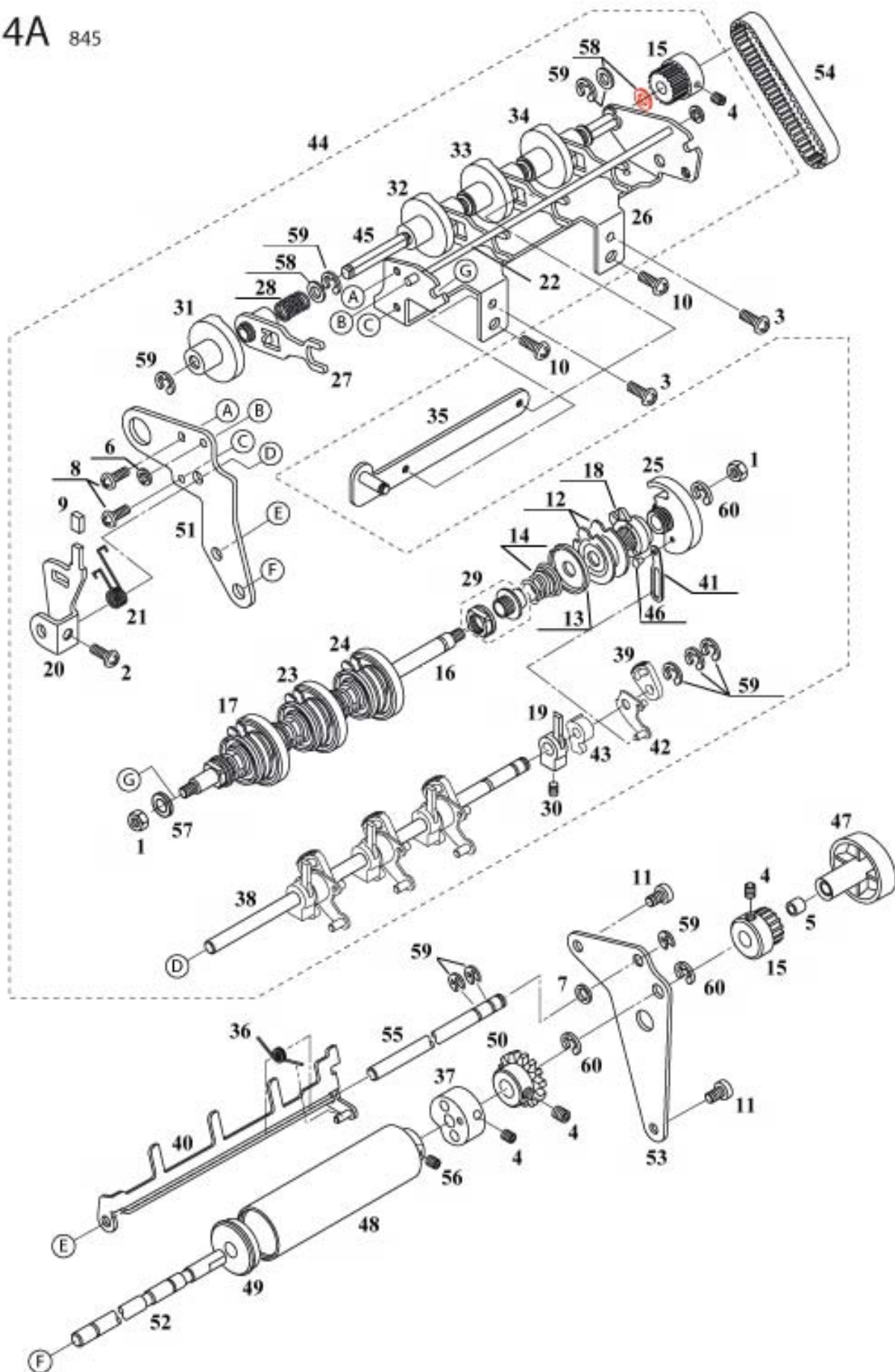
N°	N° EIC	Description
1	396003-40	Rubber foot
2	396007-42	Spring stopper plate
3	396007-80	Screw TPM4x12
4	396007-81	Tapping screw M3x12
5	396011-84	Tapping screw M4x8 S
6	396012-17	Tapping screw M4x10 PC
7	396012-84	Front flap hinge axle
8	396015-16	Overlock sewing table
9	396015-17	Base cover
10	396015-19	Spring stopper plate
11	396015-20	Front flap hinge
12	396015-28	Front flap hinge axle spring
13	396015-30	TP screw M3x10
14	396029-57	Safety notice caution label (UL/CUL)
15	396026-04	Cord holder
16	396029-60	Safety Notice sticker for front cover
17	396032-48	Threading chart 745
18	396032-49	Waste tray
19	396032-91	Front flap, 845
20	396032-97	Top cover threading chart
21	396032-68	Washer 4x10x0.8
22	395464-00	Snap ring #3



N°	N° EIC	Description
1	395052-15	Nut M4
2	395052-18	Screw M4x8
3	395053-63	Grub screw M4x4
4	395054-50	Knob spring
5	396014-86	#3 CS Nut
6	396029-52	Washer 5x10x0.25
7	396008-21	Screw M3x5
8	396010-74	Tension release lever tip
9	396011-48	Tapping screw M4x10S
10	396011-84	Tapping screw M4x8 S
11	396014-94	Dial tension disc
12	396014-95	Tension spring plate
13	396014-87	Tension spring 1.0 - long
14	396019-79	DT flywheel
15	396019-82	Tension shaft
16	396019-83	Tension knob, blue
17	396019-84	Adj. tension nut
18	396019-78	Tension release crank
19	396019-79	Tension release lever
20	396026-00	Tension release leer spring
21	396026-01	DT suport axle
22	396026-07	Tension knob, red
23	396026-08	Tension knob, yellow
24	396026-09	Tension knob, green
25	396029-62	Tension unit support
26	396029-63	Tension cam lever
27	396029-64	Tension cam spring
28	396029-65	DT screw set
29	396029-71	Grub screw M3x6
30	396029-82	Dial tension cam, blue
31	396029-83	Dial tension cam, red
32	396029-84	Dial tension cam, yellow
33	396029-85	Dial tension cam, green
34	396029-89	DT release spring
35	396032-07	Upper looper shifting cam
36	396032-11	Fine tuning lever axle
37	396032-16	DT adjustment gear
38	396032-17	DT release plate lever
39	396032-18	DT adjustment rod
40	396032-19	DT adjustment plate
41	396032-20	DT adjustment lever
42	396032-22	DT set, completedly assembled
43	396032-23	DT cam axle
44	396032-26	Round head rivet 2x4
45	396032-29	Program selection dial
46	396032-41	Program display roller
47	396032-42	Program display roller cap
48	396032-43	DT ratchet
49	396032-44	Tension unit support plate, left
50	396032-45	Tension knob fitting axis

51	396032-46	Tension unit side support plate, right
52	396032-55	PX201P3M6 Belt
53	396032-56	DT release plate shaft
54	395421-00	Grub screw M4x5
55	396032-99	Washer 4x8x0.5
56	395462-00	Polyslider thrust washer 9.5x6.2x0.5
57	395465-00	Snap ring #4
58	395466-00	Snap ring #5

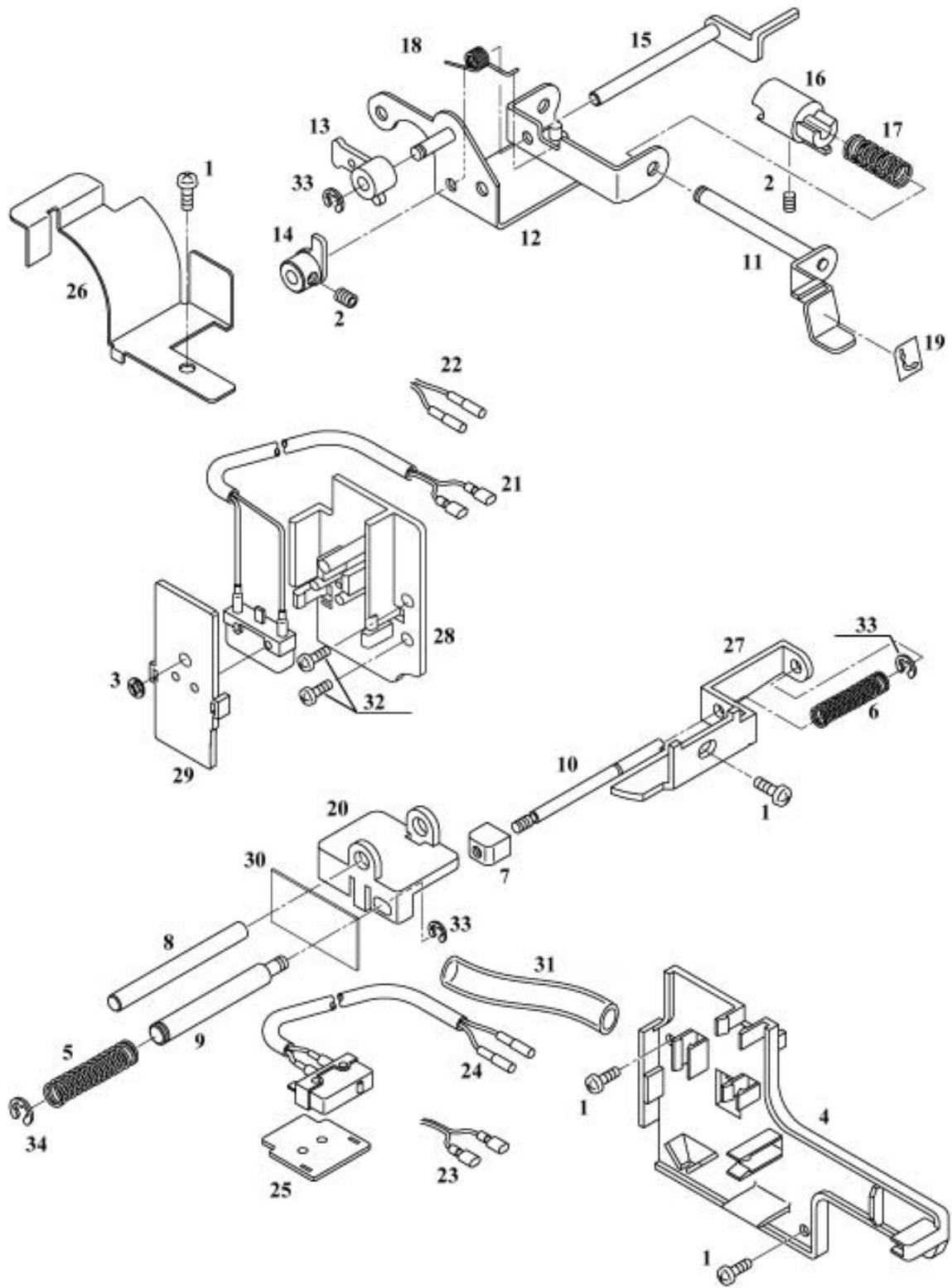
4A 845



4A

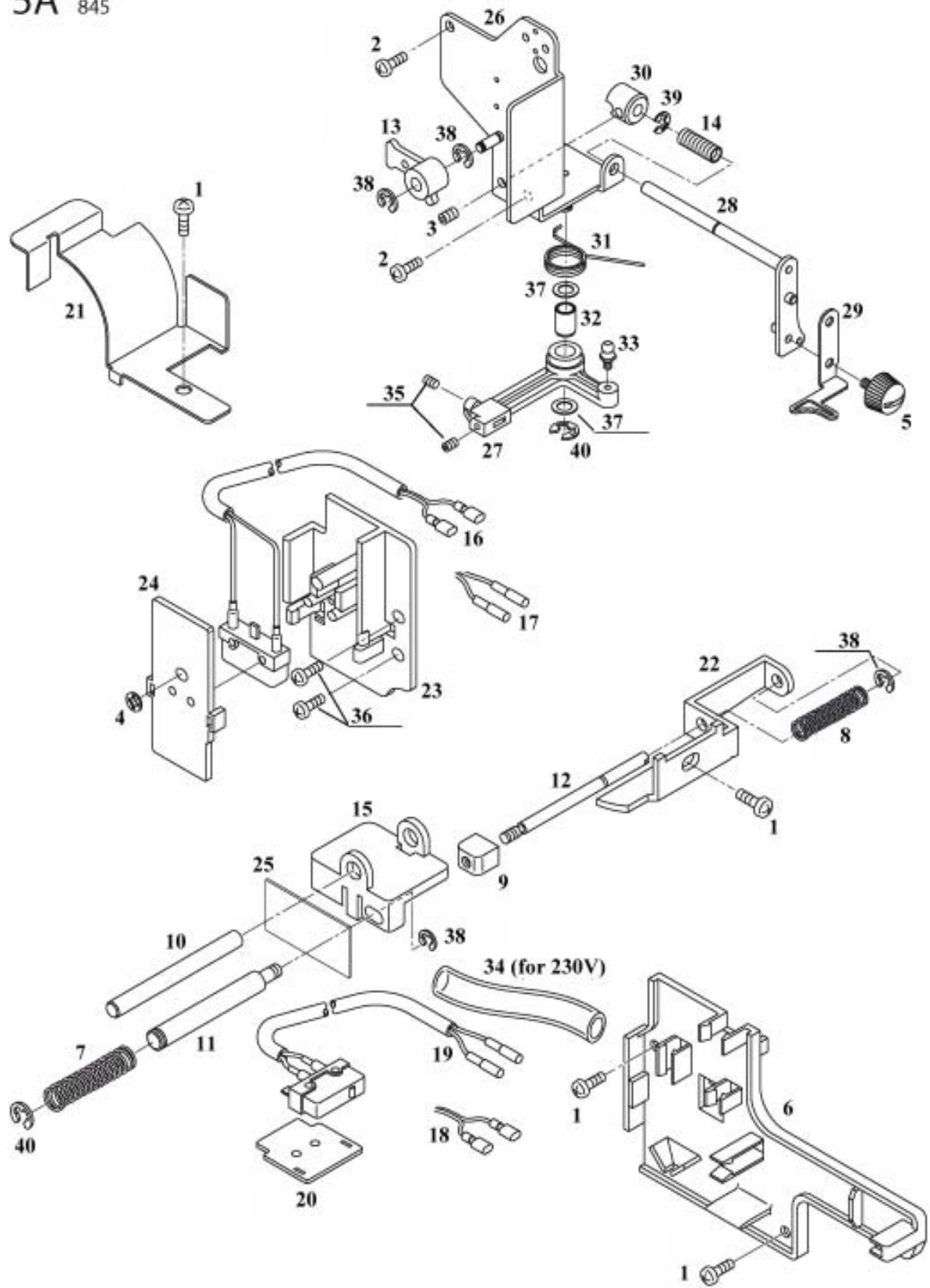
N°	N° EIC	Description
1	395052-15	Nut M4
2	395052-18	Screw M4x8
3	395052-37	Screw M4x6
4	395053-63	Grub screw M4x4
5	395054-50	Knob spring
6	396014-86	#3 CS Nut
7	396029-52	Washer 5x10x0.25
8	396008-21	Screw M3x5
9	396010-74	Tension release lever tip
10	396011-48	Tapping screw M4x10S
11	396011-84	Tapping screw M4x8 S
12	396014-94	Dial tension disc
13	396014-95	Tension spring plate
14	396014-87	Tension spring 1.0 - long
15	396019-79	DT flywheel
16	396019-82	Tension shaft
17	396019-83	Tension knob, blue
18	396019-84	Adj. tension nut
19	396019-78	Tension release crank
20	396019-79	Tension release lever
21	396026-00	Tension release leer spring
22	396026-01	DT suport axle
23	396026-07	Tension knob, red
24	396026-08	Tension knob, yellow
25	396026-09	Tension knob, green
26	396029-62	Tension unit support
27	396029-63	Tension cam lever
28	396029-64	Tension cam spring
29	396029-65	DT screw set
30	396029-71	Grub screw M3x6
31	396029-82	Dial tension cam, blue
32	396029-83	Dial tension cam, red
33	396029-84	Dial tension cam, yellow
34	396029-85	Dial tension cam, green
35	396032-73	Arm support
36	396029-89	DT release spring
37	396032-07	Upper looper shifting cam
38	396032-11	Fine tuning lever axle
39	396032-16	DT adjustment gear
40	396032-17	DT release plate lever
41	396032-18	DT adjustment rod
42	396032-19	DT adjustment plate
43	396032-20	DT adjustment lever
44	396032-22	DT set, completely assembled
45	396032-23	DT cam axle
46	396032-26	Round head rivet 2x4
47	396032-29	Program selection dial
48	396032-41	Program display roller
49	396032-42	Program display roller cap
50	396032-43	DT ratchet

51	396032-44	Tension unit support plate, left
52	396032-45	Tension knob fitting axis
53	396032-46	Tension unit side support plate, right
54	396032-55	PX201P3M6 Belt
55	396032-56	DT release plate shaft
56	395421-00	Grub screw M4x5
57	396032-99	Washer 4x8x0.5
58	395462-00	Polyslider thrust washer 9.5x6.2x0.5
59	395465-00	Snap ring #4
60	395466-00	Snap ring #5



N°	N° EIC	Description
1	395052-37	Screw M4x6
2	395053-63	Grub screw M4x4
3	396014-86	#3 CS Nut
4	396016-81	Accessory stand
5	396016-82	Side door switch spring
6	396014-66	Stitch tongue spring
7	396016-84	Micro switch conn. rod
8	396016-85	Slide shaft
9	396016-86	Push pin, A
10	396016-87	Push pin, B
11	396016-89	Safety lever
12	396016-90	Safety lever bracket
13	396016-91	Safety lever cam
14	396016-92	Safety lever
15	396016-93	Safety lever connection
16	396016-94	Safety lever conn. cam
17	396016-95	Cam spring, B
18	396016-96	Spring, C
19	396017-00	Swing mark seal
20	396019-40	Micro switch support base (2)
21	396019-43	Micro switch for safety device (120V)
22	396019-44	Micro switch for safety device (230V)
23	396019-45	Micro switch for front flap (120V)
24	396019-46	Micro switch for front flap (230V)
25	396019-56	Micro switch base cover (2)
26	396028-77	AC cover
27	396028-83	Rod bracket, type 2
28	396028-85	Micro switch protection cover (1)
29	396028-86	Micro switch protection cover (2)
30	396028-87	Insulation plate for micro switch
31	396032-96	Protection tube (wide)
32	395049-39	Screw M3x5
33	395464-00	Snap ring #3
34	395466-00	Snap ring #5

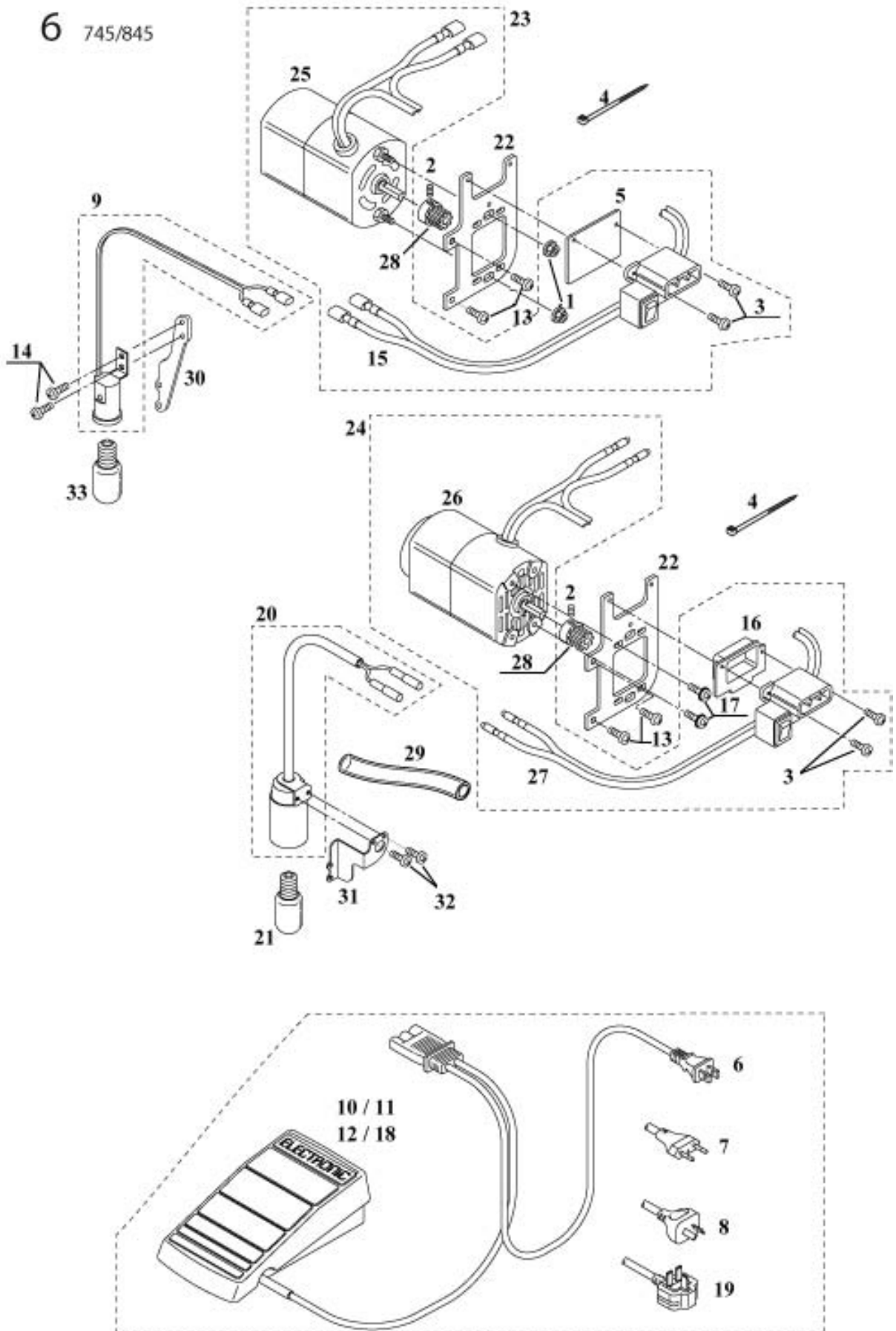
5A 845



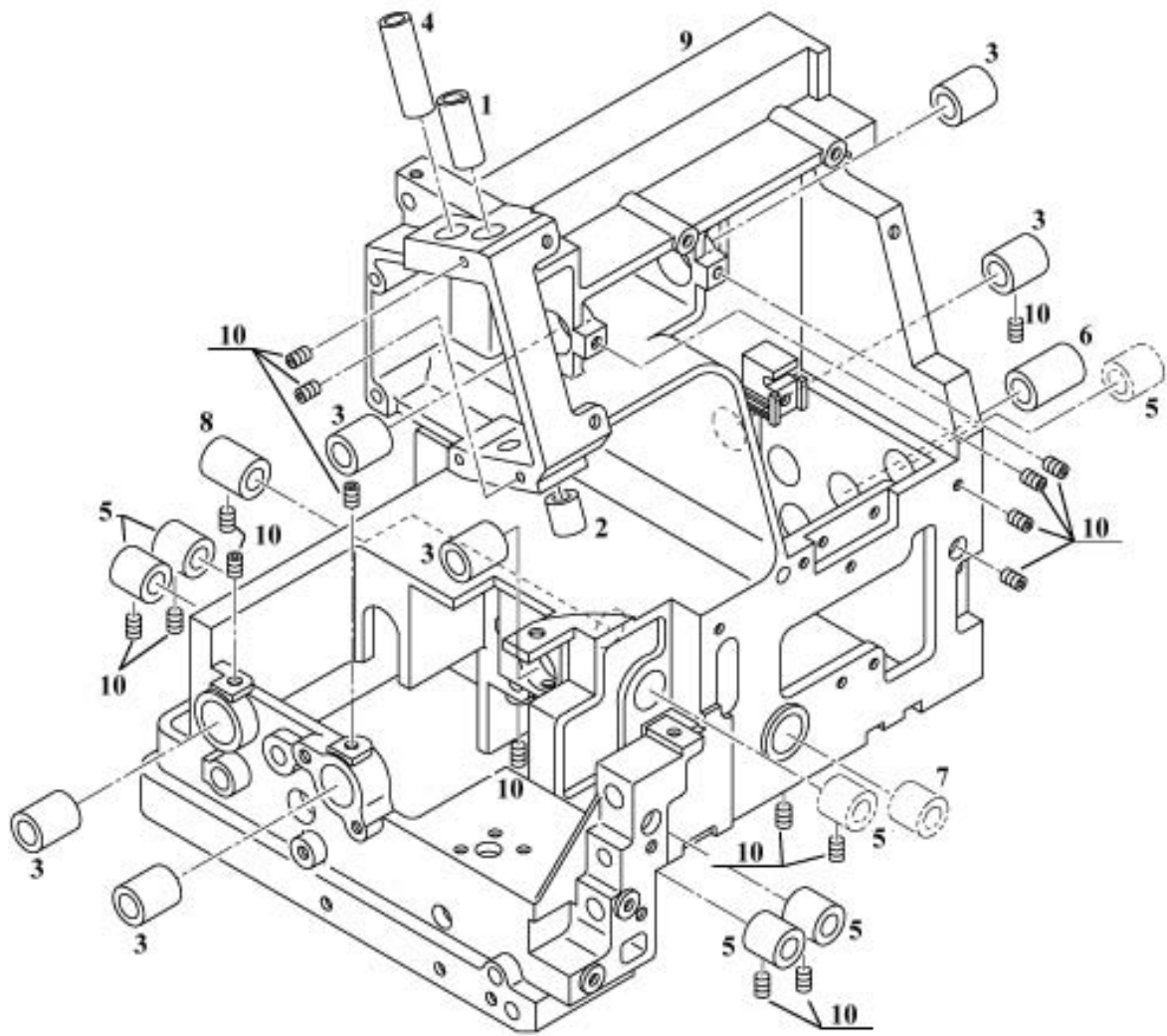
5A

N°	N° EIC	Description
1	395052-37	Screw M4x6
2	395052-57	Screw M4x10
3	395053-63	Grub screw M4x4
4	396014-86	#3 CS Nut
5	396001-39	Coin screw
6	396016-81	Accessory stand
7	396016-82	Side door switch spring
8	396014-66	Stitch tongue spring
9	396016-84	Micro switch conn. rod
10	396016-85	Slide shaft
11	396016-86	Push pin, A
12	396016-87	Push pin, B
13	396016-91	Safety lever cam
14	396016-95	Cam spring, B
15	396019-40	Micro switch support base (2)
16	396019-43	Micro switch for safety device (120V)
17	396019-44	Micro switch for safety device (230V)
18	396019-45	Micro switch for front flap (120V)
19	396019-46	Micro switch for front flap (230V)
20	396019-56	Micro switch base cover (2)
21	396028-77	AC cover
22	396028-83	Rod bracket, type 2
23	396028-85	Micro switch protection cover (1)
24	396028-86	Micro switch protection cover (2)
25	396028-87	Insulation plate for micro switch
26	396032-72	Reflex partition plate
27	396032-75	Top cover hook lever
28	396032-76	Triangle thread guide lever
29	396032-77	Triangle thread guide
30	396032-79	Top cover guide cam
31	396032-81	Round thread guide
32	396032-83	Bearing 6x11
33	396032-87	Pillow ball 5mm
34	396032-96	Protection tube (wide)
35	396032-98	Grub screw M3x6
36	395049-39	Screw M3x5
37	395462-00	Polyslider thrust washer 9.5x6.2x0.5
38	395464-00	Snap ring #3
39	395465-00	Snap ring #4
40	395466-00	Snap ring #5

6 745/845

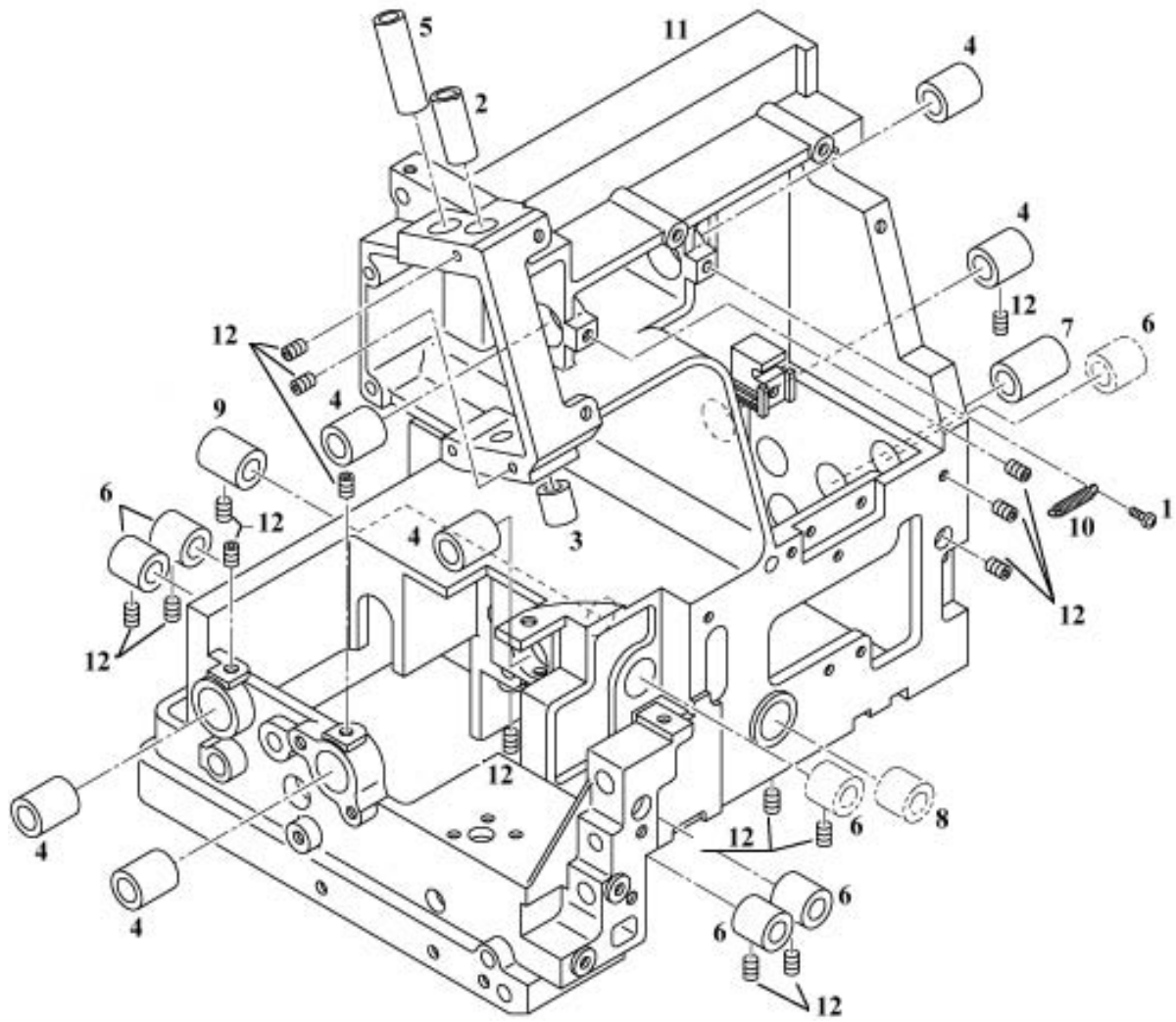


N°	N° EIC	Description
1	395049-20	Motor set nut M4
2	395053-63	Grub screw M4x4
3	396004-75	Screw M3x8
4	396029-51	Fastening band
5	396008-53	Insulation plate
6	396008-22	Cord set CSA 115V
7	396008-24	Cord set CEE 220V type O
8	396008-25	Cord set SAA/NZ 240V
9	396011-29	Lamp set 120V E-12
10	396011-43	Foot cont. 4C-335G CEE type A
11	396011-45	Foot cont.4C-335G SAA/NZ type I
12	396011-46	Foot cont.4C-335B CSA
13	396011-48	Tapping screw M4x10S
14	396014-52	Screw
15	396011-78	Wired TB/SW set 115V
16	396011-79	Condenser cover 230-240V
17	396029-54	Nut, M4x10
18	396018-79	Foot controller for UK (E-1)
19	396032-69	cord set, GB
20	396018-68	Lamp cord set (220-240V)
21	396013-55	Light bulb (220-240V)
22	396019-64	Motor bracket (DE)
23	396019-65	Motor set 120V
24	396019-66	Motor set 230V
25	396019-67	Motor (DE) 3M-952J 115V
26	396019-68	Motor (DE) 4M-807K 240V
27	396019-69	Wired TE/SW set 220-240V
28	396019-70	Motor pulley
29	396029-68	Protection tube, 230V
30	396032-57	Light bulb support (110V)
31	396032-60	Light bulb support (230V)
32	395049-39	Screw M3x5
33	396013-56	Light bulb 120V



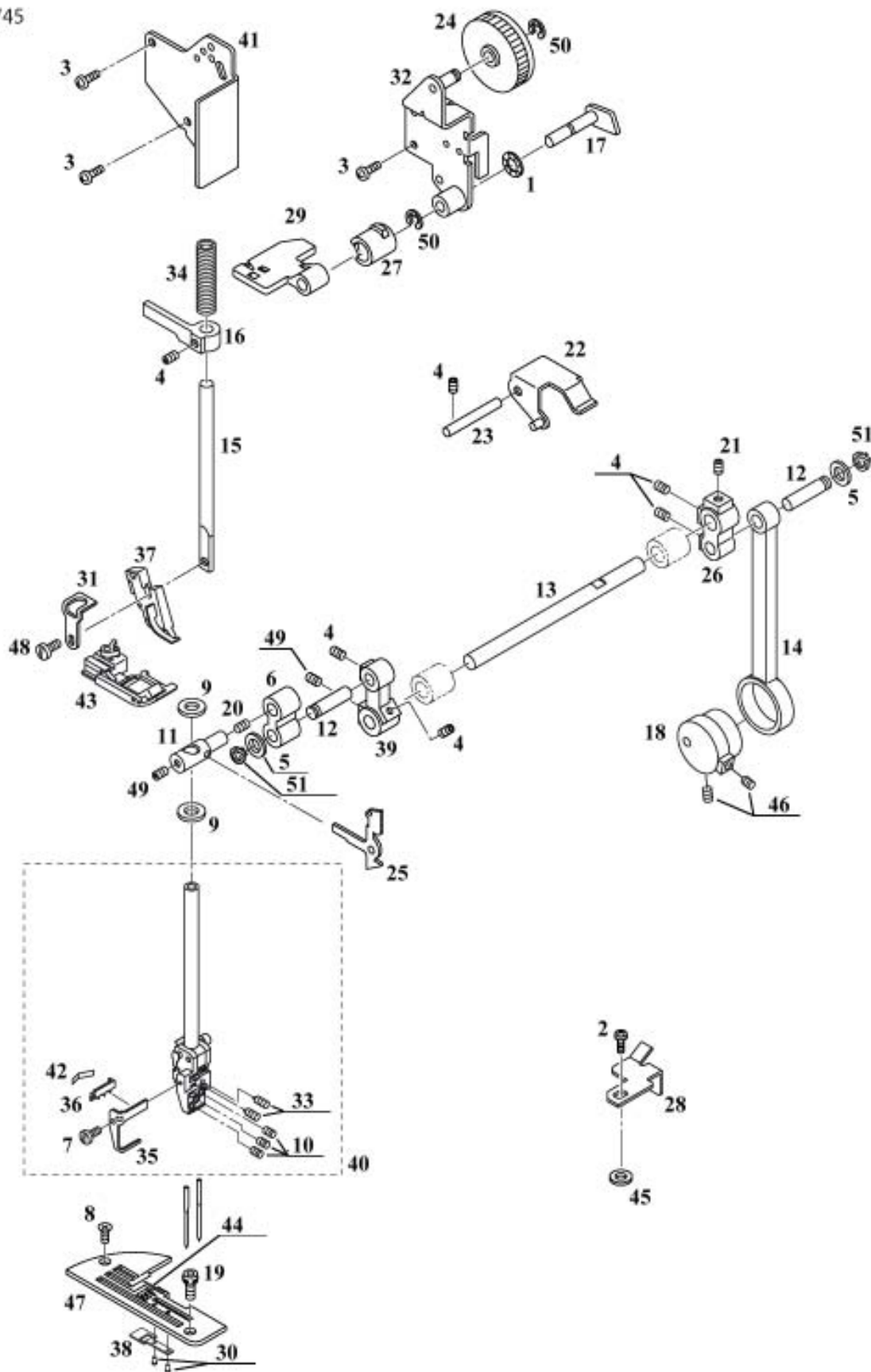
7

N°	N° EIC	Description
1	396003-67	Upper needle bar bearing
2	396003-68	Lower needle bar bearing
3	396009-69	Bearing
4	396009-73	Presser bar bearing
5	396009-90	Looper axle bearing
6	396014-22	Bearing
7	396014-23	Bearing 7x12
8	396014-24	Bearing 7x16
9	396032-58	Casing
10	395421-00	Grub screw M4x5

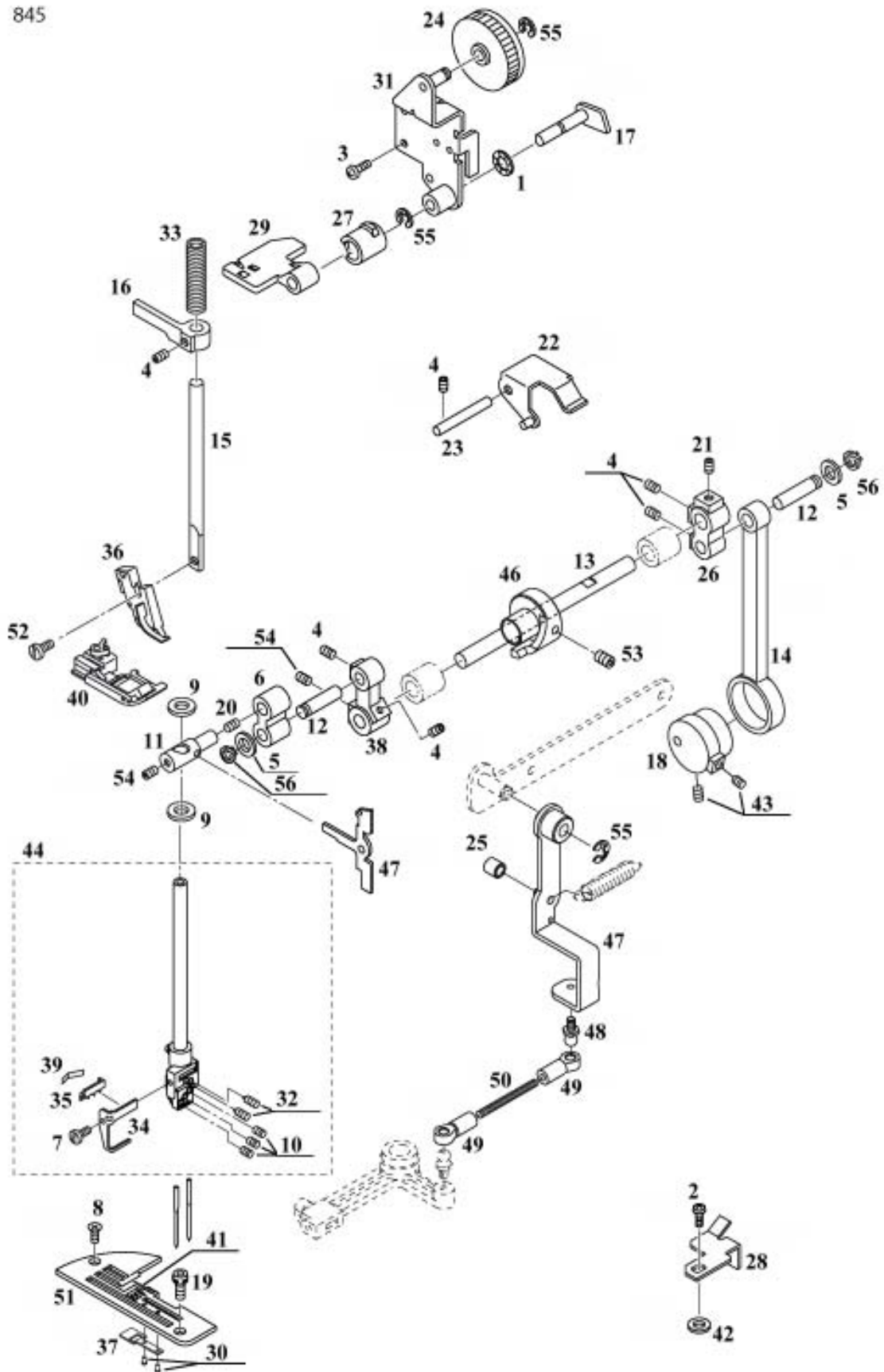


7A

N°	N° EIC	Description
1	395052-18	Screw M4x8
2	396003-67	Upper needle bar bearing
3	396003-68	Lower needle bar bearing
4	396009-69	Bearing
5	396009-73	Presser bar bearing
6	396009-90	Looper axle bearing
7	396014-22	Bearing
8	396014-23	Bearing 7x12
9	396014-24	Bearing 7x16
10	396032-84	Holding spring
11	396032-58	Casing
12	395421-00	Grub screw M4x5



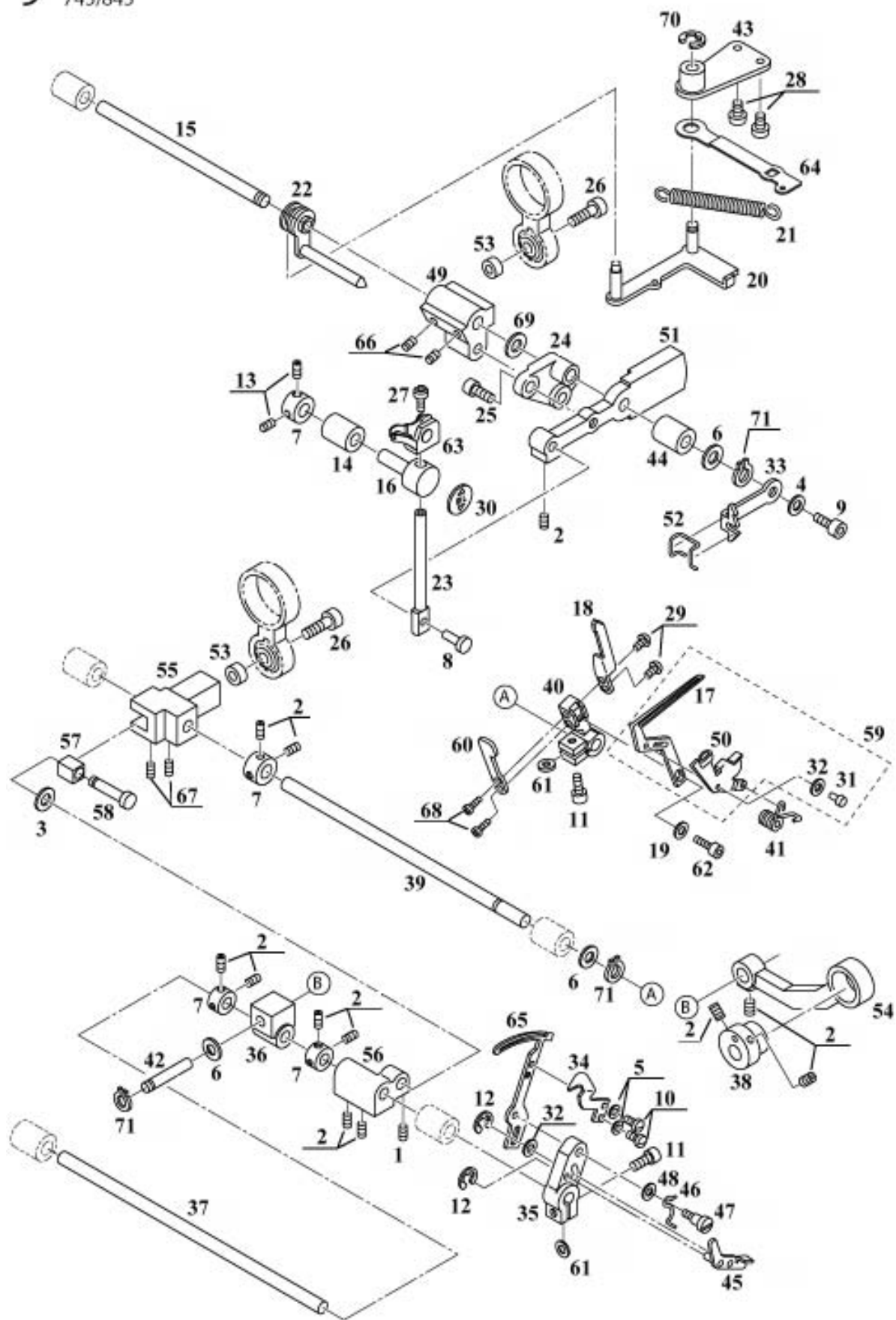
N°	N° EIC	Description
1	395047-24	Friction washer 6x14x0.15
2	395052-18	Screw M4x8
3	395052-57	Screw M4x10
4	395053-63	Grub screw M4x4
5	396003-55	Washer STW-FT 7x1
6	396003-61	Needle bar link
7	396002-15	Set screw-type 2
8	396006-76	Needle plate position screw
9	396008-11	Felt washer 7x13x2
10	396009-23	Dry lock allen screw M3x3
11	396009-64	Needle bar stud
12	396009-66	Needle bar link pin
13	396009-68	Upper axle
14	396009-71	Crank rod
15	396009-72	Presser bar
16	396009-74	Presser bar guide
17	396009-75	Presser bar lift crank
18	396009-86	Crank cam
19	396010-12	Needle plate screw
20	396011-52	Grub screw M4x6
21	396011-88	Allen screw M5x8 flat tip
22	396014-54	Pressure control lever, assem.
23	396014-55	Pressure control axle
24	396014-56	Pressure control dial
25	396014-62	Needle thread take-up lever, assem.
26	396014-65	Needle bar crank, right
27	396014-71	Needle bar presser ft. safety cam sleeve
28	396016-15	CS fixed plate
29	396014-76	"Presser foot lever, assem."
30	396026-36	Needle plate pin
31	396014-82	Needle bar stopper
32	396017-04	Pressure adjustment base holder
33	396014-81	Needle clamp allen screw
34	396014-74	Presser bar spring
35	396019-20	Needle clamp thread guide
36	396019-21	Needle thread support guide
37	396019-23	Presser foot shank
38	396026-37	Needle plate spring
39	396019-32	Crank (L)
40	396026-26	Needle bar assem., complete set
41	396019-42	Reflex partition plate
42	396026-24	Thread guide spring plate
43	396013-87	Presser foot, type 2
44	396026-75	Needle plate pin
45	396029-66	Washer, 12x4x2
46	396029-69	Screw M4x6
47	396032-54	Needle plate
48	395402-00	Screw #7x8
49	395047-98	Grub screw M5x5
50	395465-00	Snap ring #4



8A

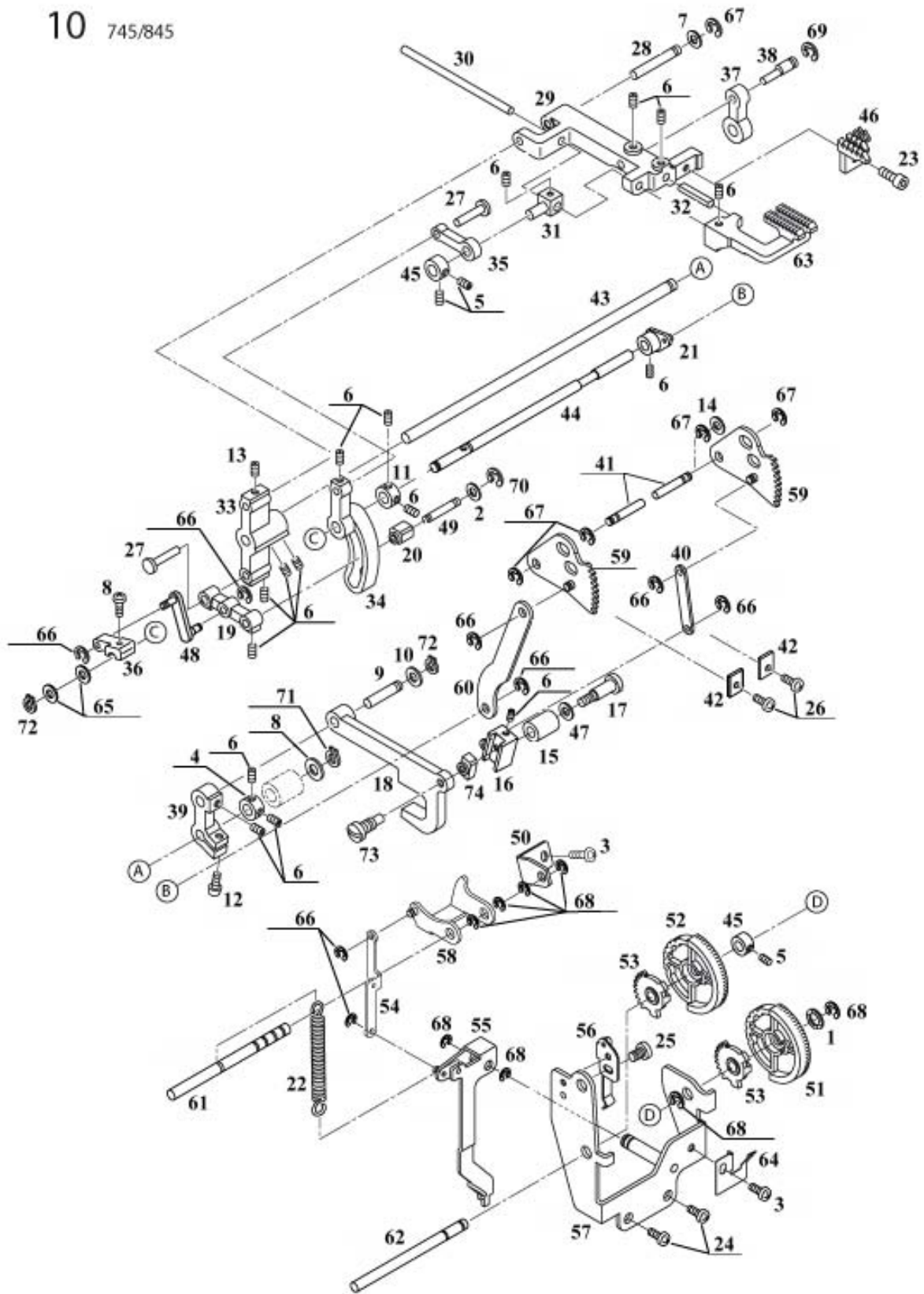
N°	N° EIC	Description
1	395047-24	Friction washer 6x14x0.15
2	395052-18	Screw M4x8
3	395052-57	Screw M4x10
4	395053-63	Grub screw M4x4
5	396003-55	Washer STW-FT 7x1
6	396003-61	Needle bar link
7	396002-15	Set screw-type 2
8	396006-76	Needle plate position screw
9	396008-11	Felt washer 7x13x2
10	396009-23	Dry lock allen screw M3x3
11	396009-64	Needle bar stud
12	396009-66	Needle bar link pin
13	396009-68	Upper axle
14	396009-71	Crank rod
15	396009-72	Presser bar
16	396009-74	Presser bar guide
17	396009-75	Presser bar lift crank
18	396009-86	Crank cam
19	396010-12	Needle plate screw
20	396011-52	Grub screw M4x6
21	396011-88	Allen screw M5x8 flat tip
22	396014-54	Pressure control lever, assem.
23	396014-55	Pressure control axle
24	396014-56	Pressure control dial
25	396015-71	Cam roller
26	396014-65	Needle bar crank, right
27	396014-71	Needle bar presser ft. safety cam sleeve
28	396016-15	CS fixed plate
29	396014-76	"Presser foot lever, assem."
30	396026-36	Needle plate pin
31	396017-04	Pressure adjustment base holder
32	396014-81	Needle clamp allen screw
33	396014-74	Presser bar spring
34	396019-20	Needle clamp thread guide
35	396019-21	Needle thread support guide
36	396019-23	Presser foot shank
37	396026-37	Needle plate spring
38	396019-32	Crank (L)
39	396026-24	Thread guide spring plate
40	396013-87	Presser foot, type 2
41	396026-75	Needle plate pin
42	396029-66	Washer, 12x4x2
43	396029-69	Screw M4x6
44	396032-71	Needle bar assem., complete set
45	396032-74	Arm rod
46	396032-82	Top cover control cam
47	396032-86	Needle thread take-up lever
48	396032-87	Pillow ball 5mm
49	396032-88	Ball joint
50	396032-89	Adjuster rod

51	396032-54	Needle plate
52	395402-00	Screw #7x8
53	395421-00	Grub screw M4x5
54	395047-98	Grub screw M5x5
55	395465-00	Snap ring #4
56	395128-24	Clip ring #7



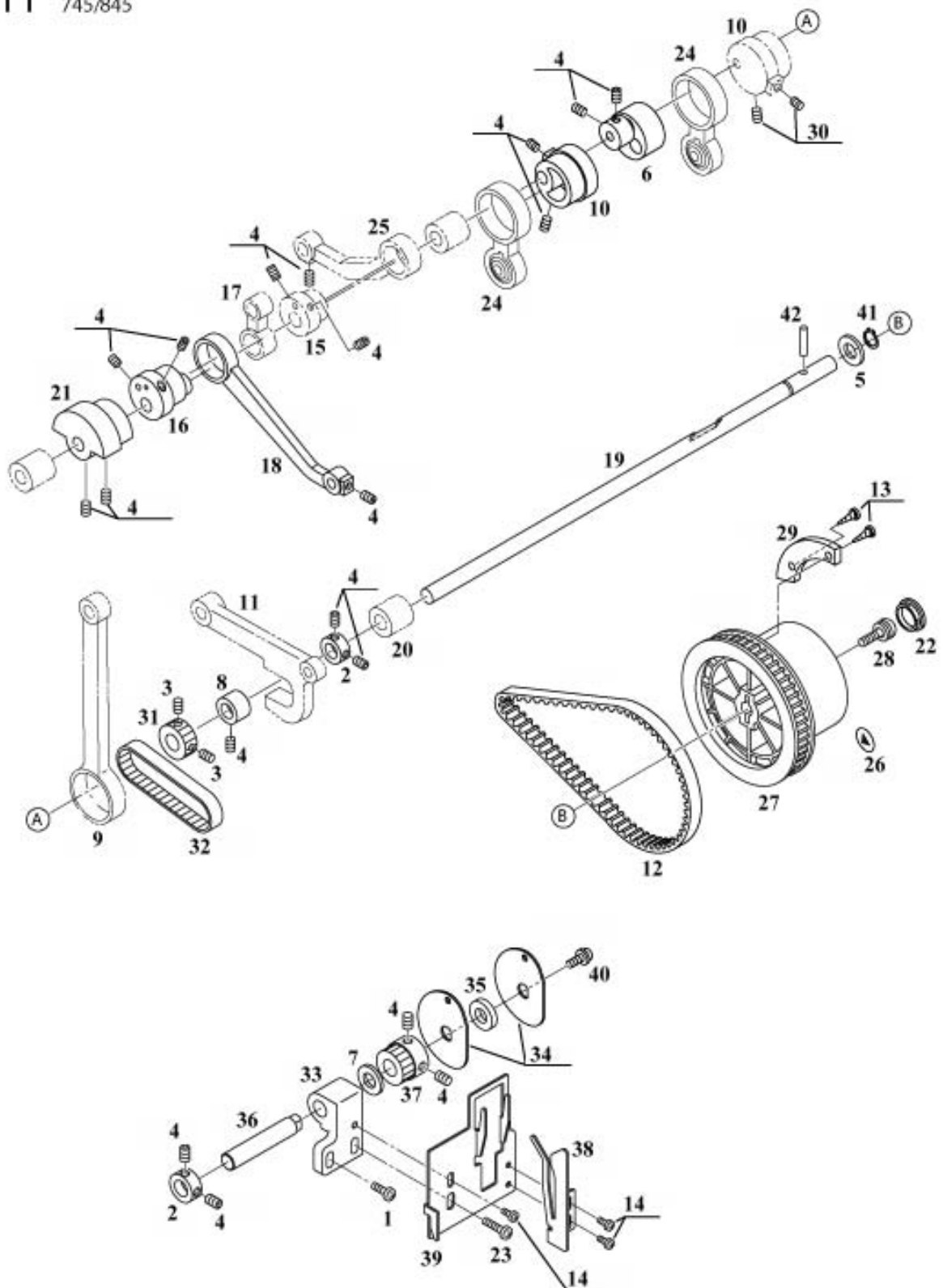
N°	N° EIC	Description
1	395053-58	Grub screw M3x3
2	395053-63	Grub screw M4x4
3	395053-64	Washer STW-FT 5x0.5
4	395053-70	Conical washer 8x4x0.4
5	396003-35	Washer 3x6x0.2
6	396003-55	Washer STW-FT 7x1
7	396003-80	"Collar E""7"
8	396003-82	Upper looper shaft pin
9	396004-74	Allen screw M4x6
10	396002-15	Set screw-type 2
11	396004-91	Allen screw M4x12
12	396016-01	E Ring ϕ 2
13	396008-08	Grub screw M4x3
14	396009-90	Looper axle bearing
15	396009-93	Upper looper axle
16	396009-96	Upper looper shaft guide
17	396010-00	Lower looper
18	396010-01	Overlock needle guard
19	396008-70	Conical washer 3x7
20	396010-57	Looper release crank
21	396010-60	Release lever sprig
22	396010-61	Axle rocker joint pin
23	396010-81	Upper looper shaft
24	396016-02	Upper looper arm (2)
25	396011-42	Allen screw M4x10P
26	396011-58	Allen screw M5x18P
27	396011-81	Allen screw M4x8 Pan
28	396011-84	Tapping screw M4x8 S
29	396012-78	Allen screw M3x6
30	396012-42	Oil mark round
31	396012-55	Rivet
32	396012-58	Washer 2.7x6.5x0.5
33	396016-03	Upper looper take up lever
34	396016-04	Chain looper guard
35	396016-05	Chain looper crank
36	396016-30	CS Slider
37	396016-07	Chain looper axle
38	396014-08	Chain stitch eccentric
39	396016-08	Lower looper axle
40	396016-09	Lower looper support
41	396016-10	Lower looper guide spring
42	396016-11	Slider pin
43	396016-12	Upper looper release bracket
44	396014-23	Bearing 7x12
45	396016-13	CS kick lever
46	396016-14	CS spring
47	396016-16	CS screw
48	396016-17	Wave washer 4.2x8x0.3
49	396016-18	Upper looper oscilating crank
50	396016-20	Lower looper pivoting thread guide

51	396016-21	Upper looper arm
52	396029-56	Upper thread guid spring
53	396017-58	Spacer M5x3
54	396019-27	Chain looper rod
55	396019-28	Lower looper oscilating crank
56	396019-29	Chain looper rocker
57	396019-30	Chain looper rocker cube
58	396019-31	Slider pin
59	396016-29	Lower looper assem.
60	396026-28	Lower looper support
61	396029-58	Washer
62	396026-03	M3x8 Button bolt
63	396029-87	Upper looper with 2-thread converter
64	396032-08	Upper looper release lever
65	396032-30	Chain looper
66	395047-98	Grub screw M5x5
67	395047-99	Flat screw M5x5
68	395049-39	Screw M3x5
69	395128-00	Washer STW-FT 7X0.5
70	395465-00	Snap ring #4
71	395128-24	Clip ring #7

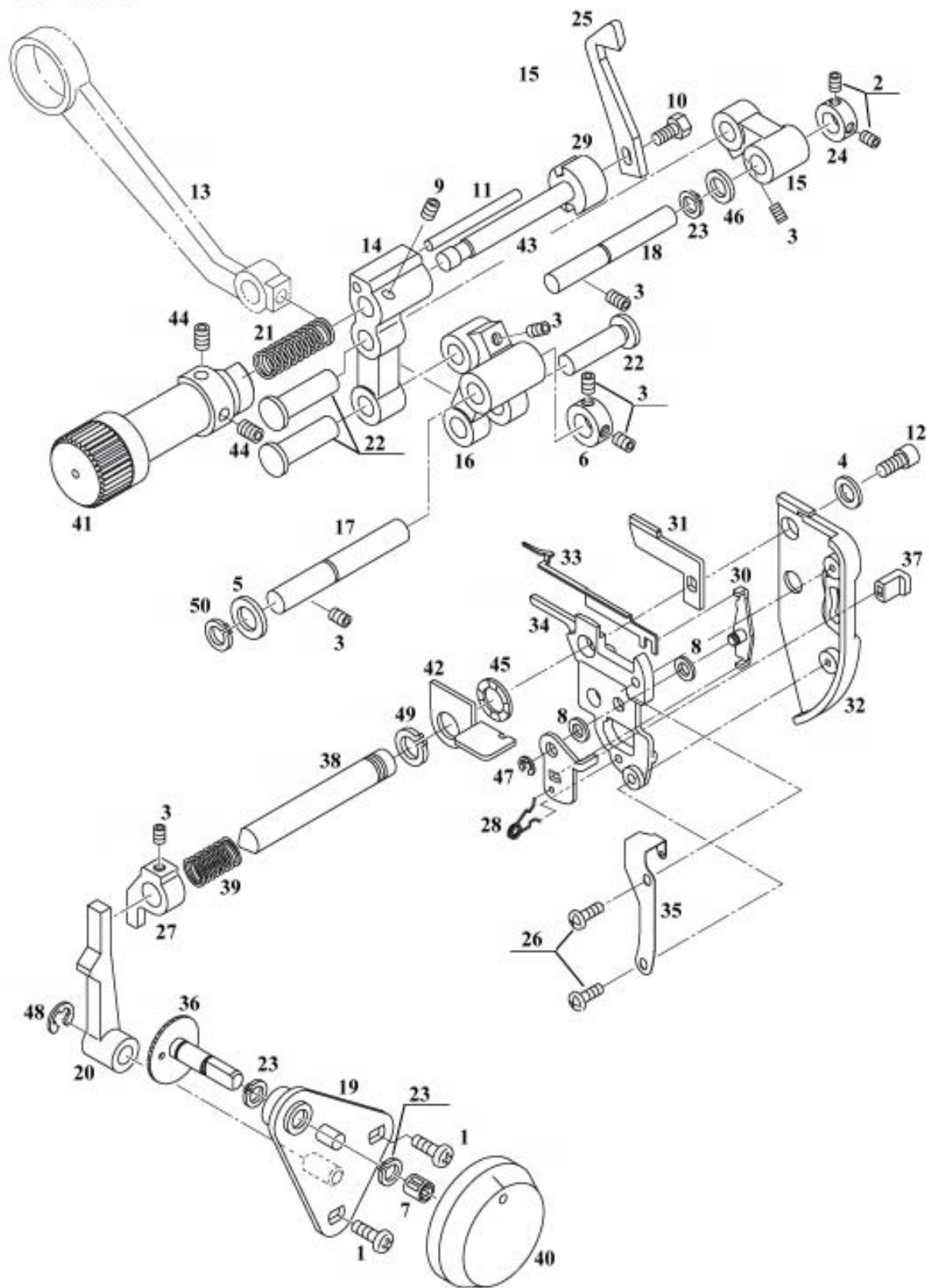


N°	N° EIC	Description
1	395047-24	Friction washer 6x14x0.15
2	395052-14	Washer 9x4x0.8
3	395052-37	Screw M4x6
4	395053-23	Lower shaft collar
5	395053-58	Grub screw M3x3
6	395053-63	Grub screw M4x4
7	395053-64	Washer STW-FT 5x0.5
8	395053-65	Washer STW-FM 8x1
9	396003-54	Needle bar rod pin
10	396003-55	Washer STW-FT 7x1
11	396003-80	"Collar E"7"
12	396004-91	Allen screw M4x12
13	396008-08	Grub screw M4x3
14	396029-52	Washer 5x10x0.25
15	396009-90	Looper axle bearing
16	396010-19	Feed regulator
17	396010-20	Feed regulator hinge pin
18	396010-21	Feed forked rod
19	396010-29	DF regulator rod
20	396010-30	DF regulator slide block
21	396010-32	DF axle arm
22	396010-60	Release lever sprig
23	396011-42	Allen screw M4x10P
24	396011-48	Tapping screw M4x10 S
25	396014-52	Screw
26	396011-84	Tapping screw M4x8 S
27	396012-92	Link pin
28	396015-72	"Feed bar conn. pin, back"
29	396015-75	Feed bar
30	396015-76	Feed bar axle
31	396015-77	Feed bar rod
32	396015-78	Guide pin
33	396015-79	Feed rock lever, left
34	396015-99	"Feed rock lever, back"
35	396016-00	Feed rock conn. rod.
36	396015-82	D.F. axle arm
37	396014-12	Feed eccentric
38	396015-85	Feed dog conn. pin
39	396015-86	Feed dog lever back
40	396015-88	S.L. lever conn. rod
41	396015-92	S.L. lever pin
42	396015-93	S.L. plate
43	396015-95	Feed rock axle
44	396015-96	D.F. axle
45	396014-41	Collar #6
46	396019-24	Main feed dog
47	396029-70	Spring washer 7x13x0.3
48	396029-79	DF connection rod
49	396029-80	DF regulator slide pin
50	396029-90	Follower axis support

51	396029-91	S.L. Dial
52	396029-92	D.F. Dial
53	396029-93	S.L./D.F. Dial gear
54	396029-95	Upper looper shifting connector
55	396029-96	Upper looper shifting lever
56	396032-02	DF notch spring plate
57	396032-03	Dial support
58	396032-06	Looper follower
59	396032-13	Gear shifting lever
60	396032-14	DF connection rod (R)
61	396032-24	Follower axle
62	396032-25	S.L./D.F. dial axle
63	396032-27	Differential feed dog
64	396032-94	Stopper spring plate
65	395128-00	Washer STW-FT 7X0.5
66	395464-00	Snap ring #3
67	395465-00	Snap ring #4
68	395466-00	Snap ring #5
69	395467-00	Snap ring #6
70	395401-02	E ring #2.5
71	395128-23	Clip ring #8
72	395128-24	Clip ring #7
73	395054-29	Feed S.B. hinge screw
74	395054-30	Feed slide block

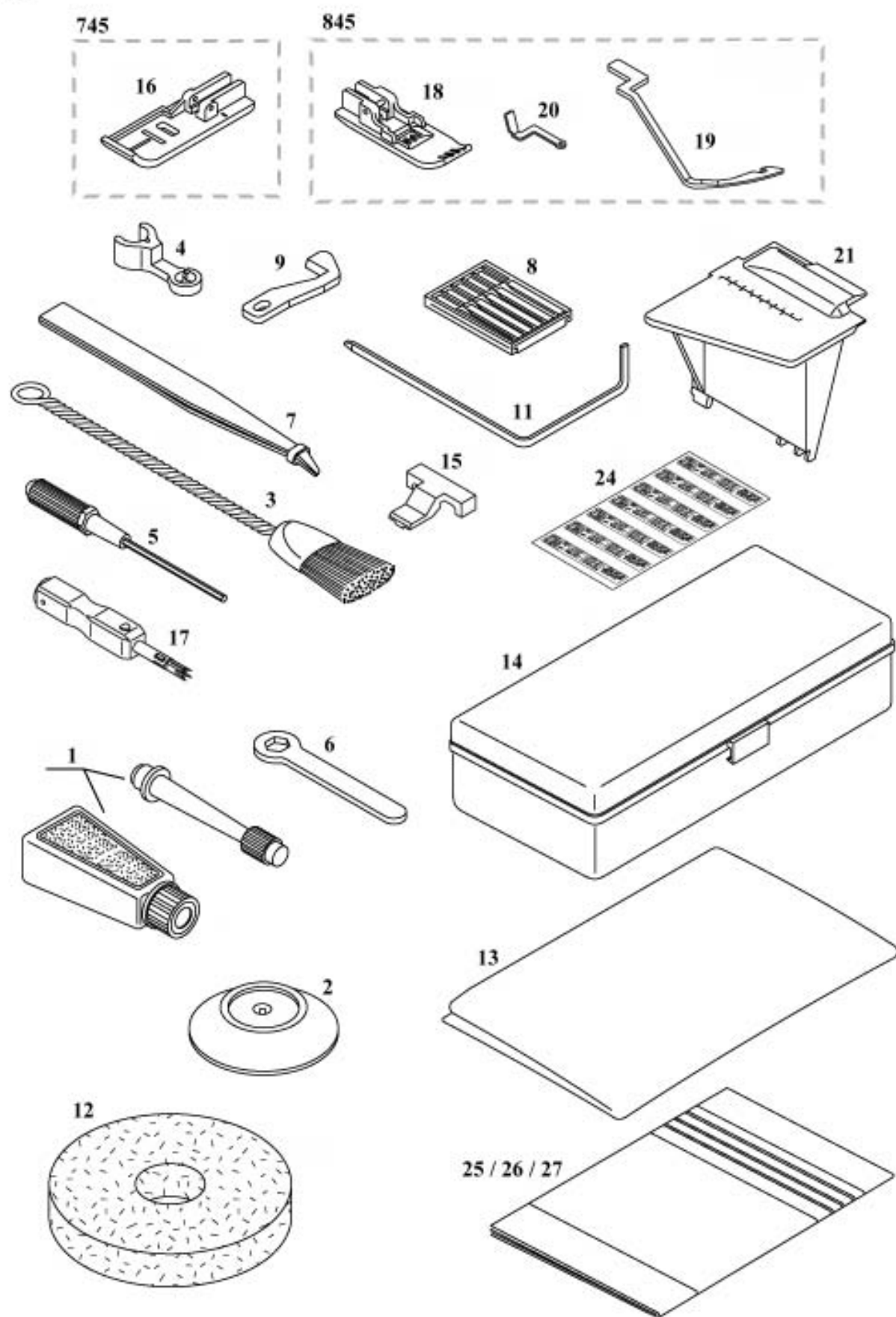


N°	N° EIC	Description
1	395052-57	Screw M4x10
2	395053-23	Lower shaft collar
3	395053-58	Grub screw M3x3
4	395053-63	Grub screw M4x4
5	395053-65	Washer STW-FM 8x1
6	396003-47	Looper rod eccentric
7	396029-50	Washer 8x0.5
8	396007-62	Feed cam
9	396009-71	Crank rod
10	396009-86	Crank cam
11	396010-21	Feed forked rod
12	396010-46	Belt XL136
13	396011-39	Tapping screw M3x8.5
14	396014-52	Screw
15	396014-08	Chain stitch eccentric
16	396014-11	Cutter cam
17	396014-12	Feed eccentric
18	396014-13	Cutter conn. rod
19	396014-16	Main shaft
20	396014-22	Bearing
21	396014-17	Main balance weight, left
22	396014-18	Handwheel cap
23	396014-19	Screw M4x16 pan head
24	396014-20	Ball rod assem.
25	396019-27	Chain looper rod
26	396019-02	Position mark
27	396026-49	Flywheel, type 2
28	396029-61	Screw M4x20SWW
29	396029-67	Handwheel weight balancer
30	396029-69	Screw M4x6
31	396029-72	Chain looper thread take-up pulley, (1)
32	396029-73	Belt, M2x73
33	396029-74	Pulley support
34	396029-75	Chain looper thread take-up rotary cam
35	396029-76	Washer, 7x14x28
36	396029-77	Rotary cam shaft
37	396029-78	Chain looper thread take-up pulley, (2)
38	396029-99	Chain looper thread holder
39	396032-00	Chain looper thread guide plate
40	395430-00	Screw TPM 4x8
41	395128-23	Clip ring #8
42	395054-44	Roll pin 3x16



N°	N° EIC	Description
1	395052-57	Screw M4x10
2	395053-58	Grub screw M3x3
3	395053-63	Grub screw M4x4
4	395053-70	Conical washer 8x4x0.4
5	396003-55	Washer STW-FT 7x1
6	396003-80	"Collar E""7"
7	395054-50	Knob spring
8	396029-52	Washer 5x10x0.25
9	396009-23	Dry lock allen screw M3x3
10	396012-14	Hexagon bolt M4X10
11	396012-31	Pin M3x38
12	396012-47	Allen screw M4x10
13	396014-13	Cutter conn. rod
14	396014-25	Moving blade support rod
15	396014-26	Cutter arm (1)
16	396014-27	Cutter arm (2)
17	396014-28	Cutter arm axle (1)
18	396014-29	Cutter arm axle (2)
19	396014-30	Cutting width dial stand
20	396014-31	Cutting width dial lever
21	396014-36	Moving blade pressure spring
22	396014-38	Pin
23	396014-39	C ring #6
24	396014-41	Collar #6
25	396001-60	Moving blade
26	396029-55	TP screw 3x10
27	396018-31	Moving blade shift rod
28	396019-95	DT release spring
29	396029-88	Moving blade holder
30	396029-94	Rolled hem device control plaate
31	396032-04	Fixed blade
32	396032-05	Protection cover
33	396032-09	Rolled hem device
34	396032-10	Fixed blade suppor holder
35	396032-12	Back tack plate
36	396032-21	Cutting width dial cam
37	396032-28	Lever cap
38	396032-50	Fixed blade axle
39	396032-51	Fixed blade pressure spring
40	396032-52	Cutting width dial
41	396032-53	Cutter knob
42	396032-61	Needle plate lifter
43	396032-95	Moving blade axle
44	395421-00	Grub screw M4x5
45	396012-26	Friction washer 13x8x0.2
46	395462-00	Polyslider thrust washer 9.5x6.2x0.5
47	395465-00	Snap ring #4
48	395466-00	Snap ring #5
49	395128-23	Clip ring #8
50	395128-24	Clip ring #7

13 745/845



N°	N° EIC	Description
1	395049-43	Oiler
2	396002-07	Spool cap
3	396002-12	Brush
4	396006-36	Aux. thread guide
5	396002-69	Allen screw driver 1.5mm
6	396001-13	Wrench 7mm
7	396001-62	Tweezers
8	396001-51	Needle assortment ELx705 #80-90
9	396001-60	Moving blade
10	396017-01	Styrofoam (not shown)
11	396001-61	Quilting guide
12	396001-64	Foam pad
13	396001-67	Dust cover, DCX
14	396001-68	Accessory case
15	396001-63	Pre-tension release clip
16	396013-75	Chain stitch foot (F)
17	396031-00	Needle threader
18	396032-70	Top cover foot (R)
19	396032-78	Top Cover hook (spreader)
20	396032-80	Round thread guide
21	396031-01	Chainstitch sewing table
22	396031-02	Carton box for Elna 745 (not shown)
23	396031-03	Carton box for Necchi 745 (not shown)
24	396031-04	Multi-language program display sticker
25	396162-62	Instruction manual 745, Eng/Fre/Ger/Ita
26	396162-64	Instruction manual 745, Eng/Fre/Spa/Dut
27	396162-67	Instruction manual 745, Necchi
28	396001-10	Timing gauge, 745 (not shown)