

PIÈCES DE RECHANGE

ERSATZTEILE

SPARE PARTS

PIEZAS DE RECAMBIO

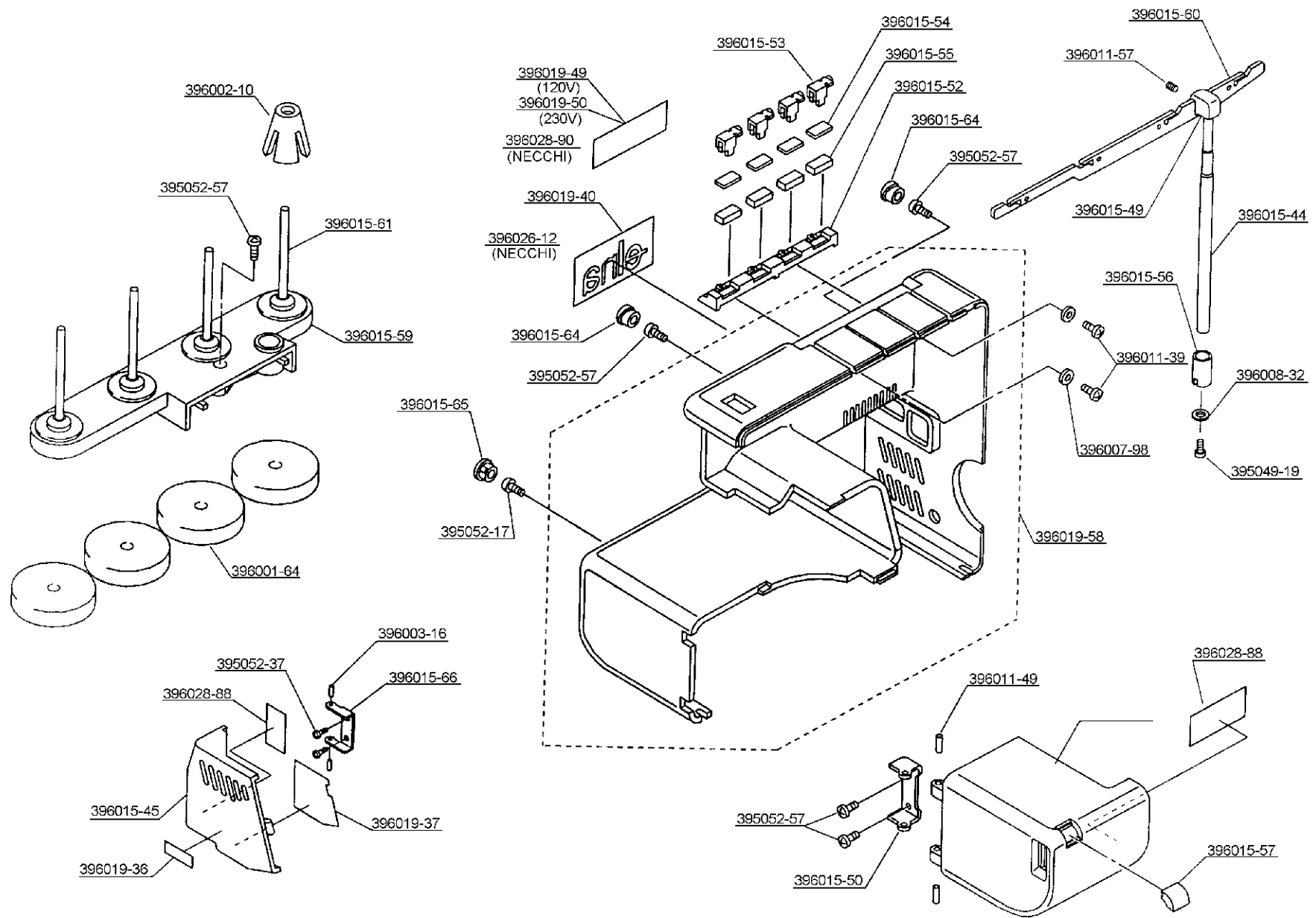
NECCHI 744

INDEX

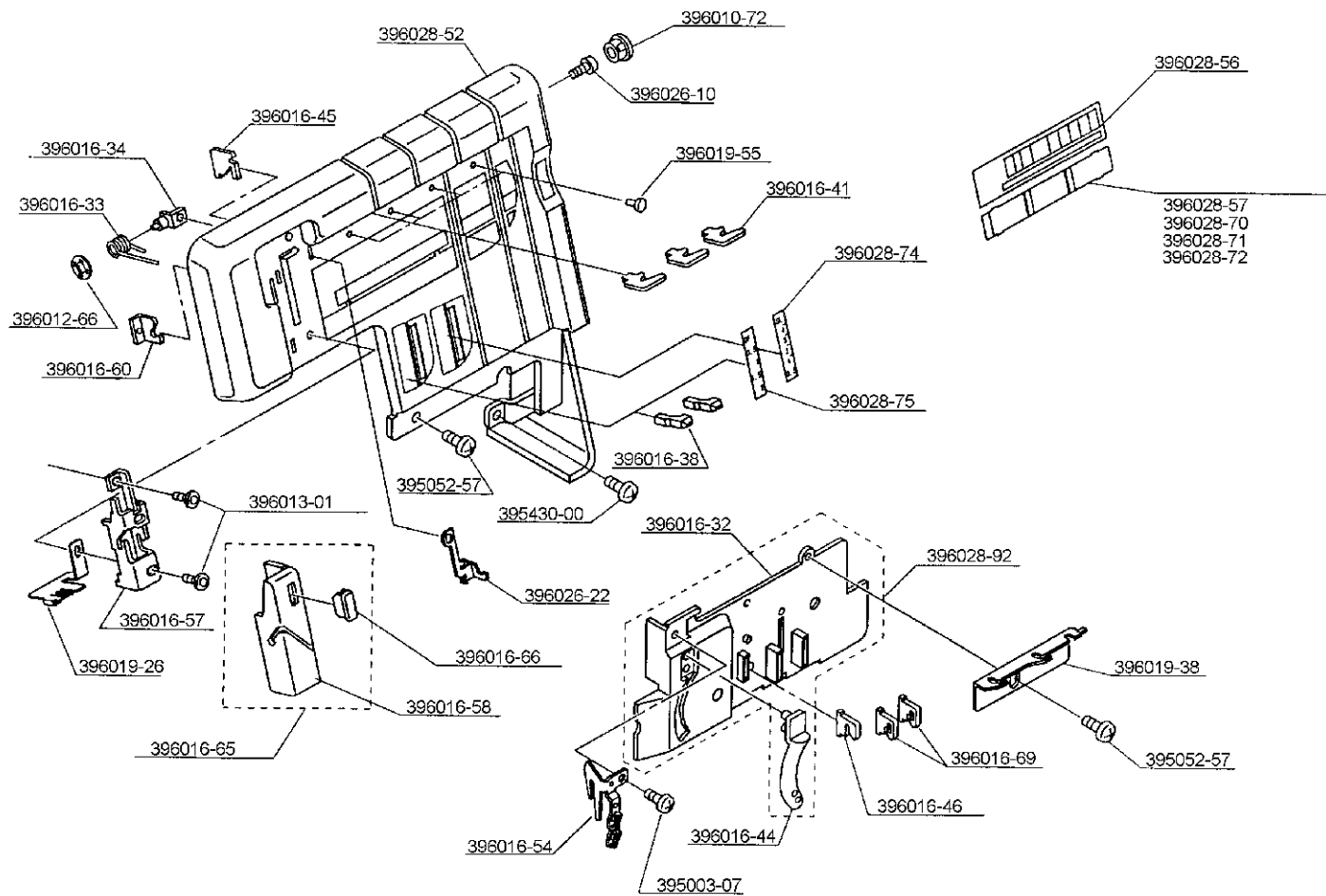
CASING	1
REAR / SIDE COVERS / SPOOL STAND / ANTENNA	2
FRONT COVER / FRONT COVER	3
BASE PLATE / FRONT DOOR	4
PRESSER BAR / NEEDLE BAR / NEEDLE PLATE	5
HANDWHEEL / MOTOR BELT / MAINSHAFT	6
FRONT AND REAR FEED DOG / FEED ASSEMBLING SYSTEM	7
UPPER LOOPER / LOWER LOOPER / CHAIN LOOPER	8
CUTTING SYSTEM / MOVING AND FIXED BLADES	9
THREAD TENSION / TENSION RELEASE	10
SAFETY DEVICE SYSTEM / ACCESSORY STAND	11
MOTOR / FOOT CONTROL / CORDS / CIRCUIT BOARD	12
ACCESSORYS / INSTRUCTION BOOK	13
PARTS NUMBER INDEX	14 – 15 - 16

395052-18	Screw M 4x8
395421-00	Grub screw M 4x5
396003-67	Upper needle bar bearing
396003-68	Lower needle bar bearing
396009-69	Bearing
396009-73	Presser bar bearing
396009-90	Looper axle bearing
396014-21	Casing
396014-22	Bearing
396014-23	Bearing 904
396014-24	Bearing 905
396019-60	Cord clamp

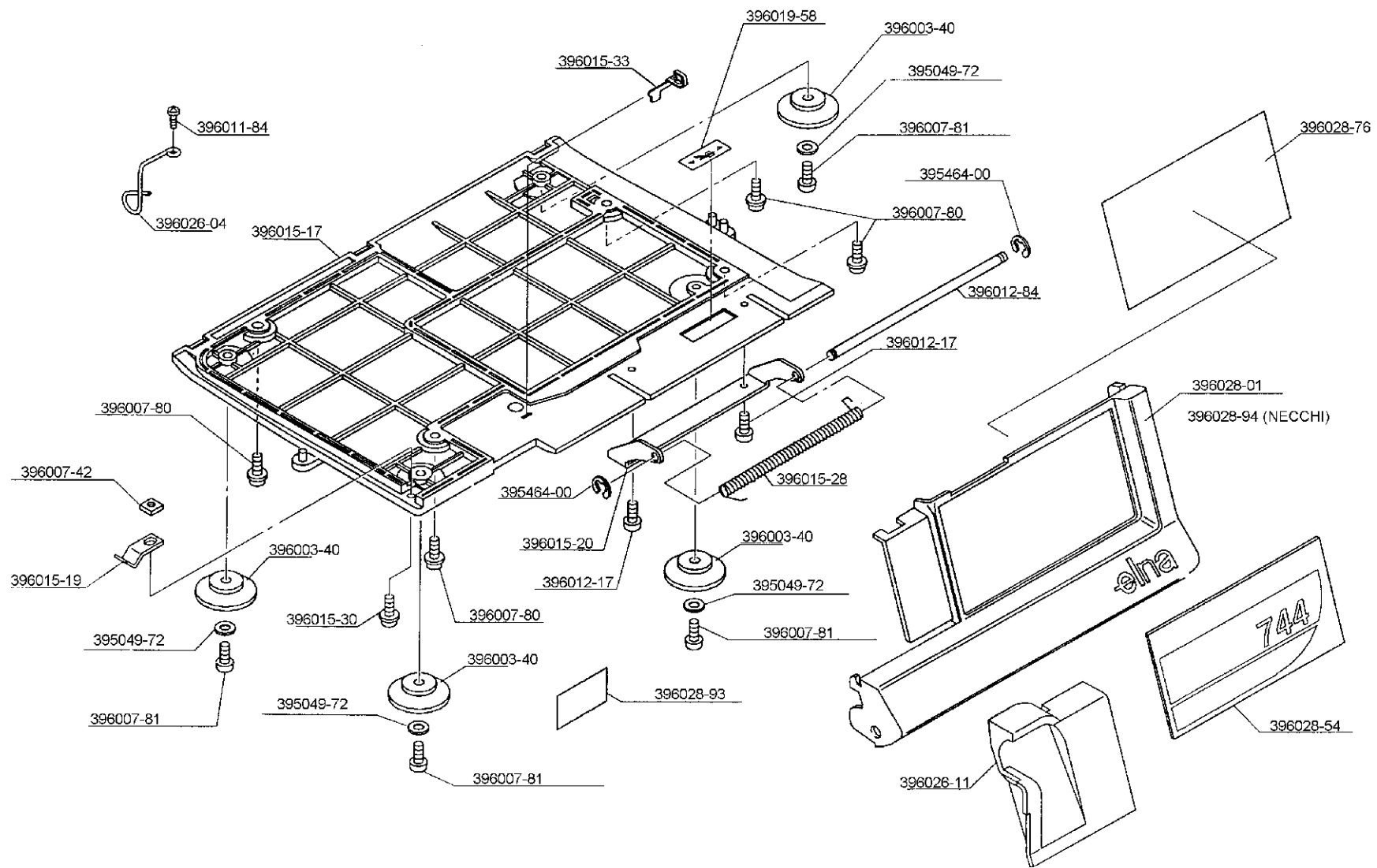
395049-19	Screw – TPM 4x10
395052-17	Screw M 4x14
395052-37	Screw M 4x6
395052-57	Screw M 4x10
396001-64	Foam pad
396002-10	Spool holder
396003-16	Roll pin 3x12
396007-98	Washer 3x8x0.5
396008-32	Toothed lock washer 4 ø
396011-39	Tapping screw M 3x8.5
396011-49	Parallel pin 3x10
396011-57	Grub screw M 3x8
396015-44	Thread guide pole
396015-45	Lamp cover
396015-46	Left front cover
396015-49	Pole / beam joint
396015-50	Left front cover hinge
396015-52	Top thread guide base
396015-53	Top thread guide plate
396015-54	“ Top thread guide, button ”
396015-55	“ Top thread guide, cushion ”
396015-56	Antenna support rod
396015-57	Cutting width dial window
396015-59	Spool stand, 904
396015-60	Thread guide beam, 904
396015-61	“ Spool pin, Snap-On ”
396015-62	Elna mark for back cover
396015-64	Screw hall cap M 8
396015-65	Screw hall cap M 9
396015-66	Lamp cover hinge
396019-36	Lamp mark
396019-37	Reflex plate
396019-49	Serial number plate (120V)
396019-50	Serial number plate (230V)
396019-58	Back cover
396026-12	NECCHI mark for back cover
396028-88	Reflector USA / CDN
396028-90	Serial number plate NECCHI (230V)



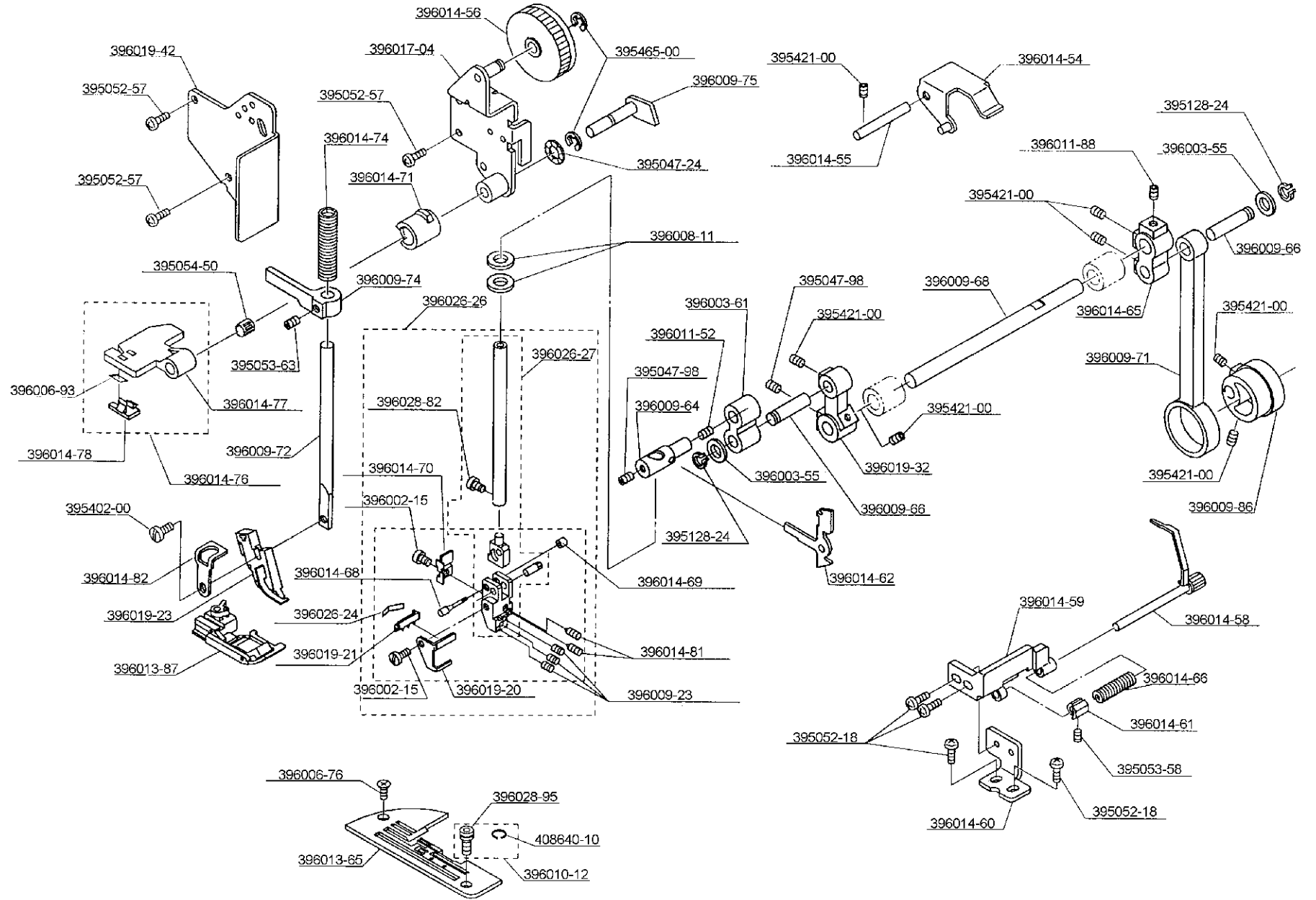
395003-07	Screw M 4x12
395052-57	Screw M 4x10
395430-00	Screw TPM 4x8
396010-72	Cap ø 8 white
396012-66	Clip ring # 4
396013-01	M 4x12 Cap screw
396016-32	Inside cover, 905
396016-33	Check spring, 905
396016-34	Check spring stud, 905
396016-38	Feed control knob
396016-41	Upper thread guide
396016-44	Upper looper take-up lever cover
396016-45	CS thread base guide
396016-46	Thread guide, for yellow & green
396016-54	Thread guide
396016-57	Take-up lever inside cover bracket
396016-58	Take-up lever cover noise cap (905)
396016-60	Needle thread guide
396016-65	Tale-up lever noise cover assem., 905
396016-66	Check spring cover
396016-69	CS thread guide
396019-26	Needle thread guide
396019-38	Thread guide plate
396019-55	Screw hole cap M 3
396026-10	Screw TPM 4x6
396026-22	Cover hem thread guide, 925 / 704
396028-52	Front cover, 744
396028-56	Display window, 744
396028-57	Program language chart, English / Spanish
396028-70	Program language chart, French / Italian
396028-71	Program language chart, German / Dutch
396028-72	Program language chart, Swedish / Finish
396028-74	S.L. guide mark, 744
396028-75	D.F. guide mark, 744
396028-92	Inside cover, complete set, 704 / 945



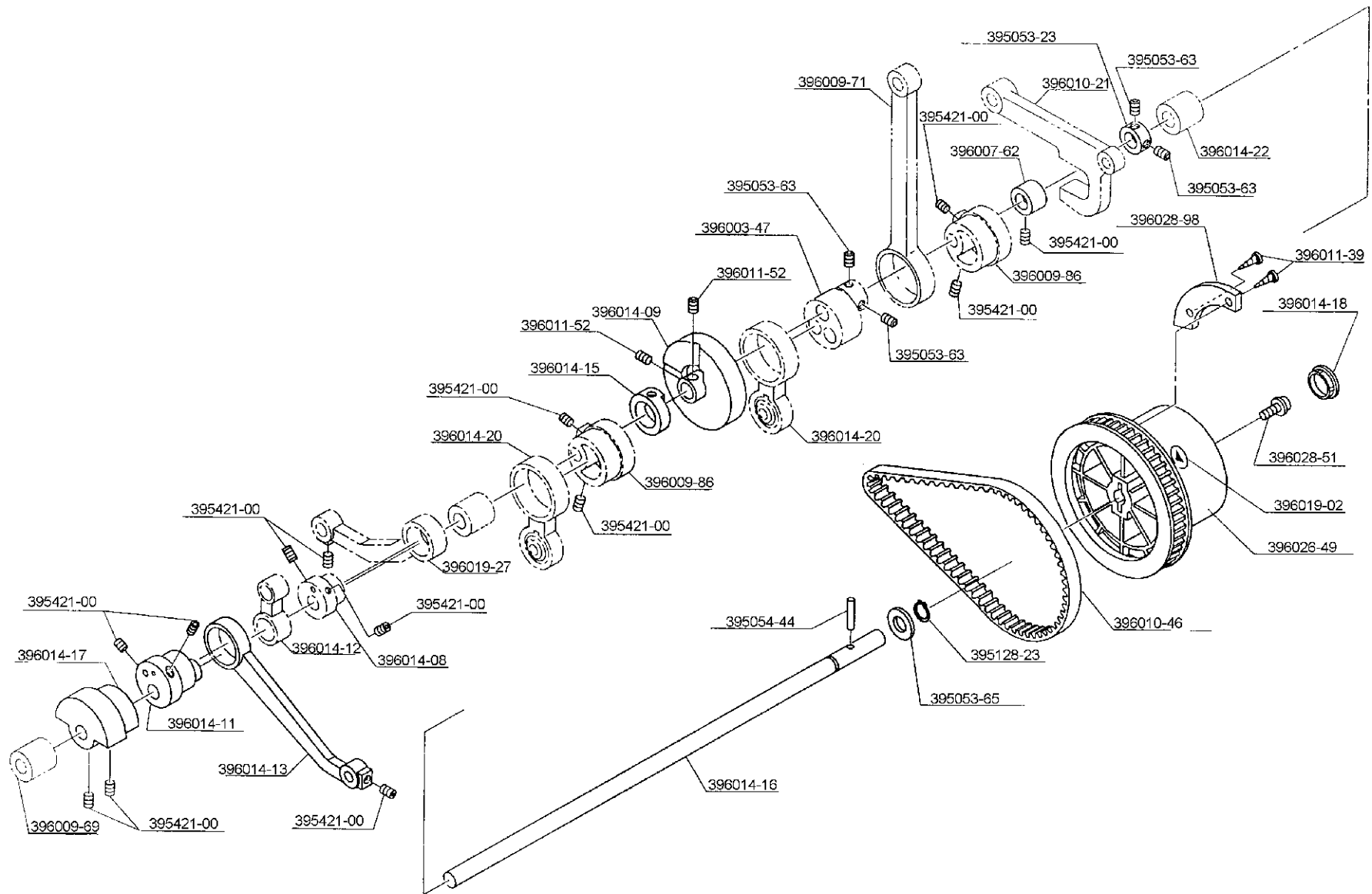
395049-72	Washer 10x4 5x1.0
395464-00	Snap ring # 3
396003-40	Rubber foot
396007-42	Spring stopper plate
396007-80	Screw TPM 4x12
396007-81	Tapping screw M 3x12
396011-84	Tapping screw M 4x8 S
396012-17	Tapping screw M 4x10 PC
396012-84	Front flap hinge axle
396015-16	Overlook sewing table, 905
396015-17	Base cover
396015-19	Spring stopper plate
396015-20	Front flap hinge
396015-28	Front flap hinge axle spring
396015-30	TP screw M 3x10
396015-33	CS thread guide
396019-58	Release lever mark
396026-04	Cord holder
396028-01	Front flap
396028-54	Front flat panel, 744
396028-76	Threading chart, 744
396028-93	Safety notice sticker for front door
396028-94	Front flap NECCHI



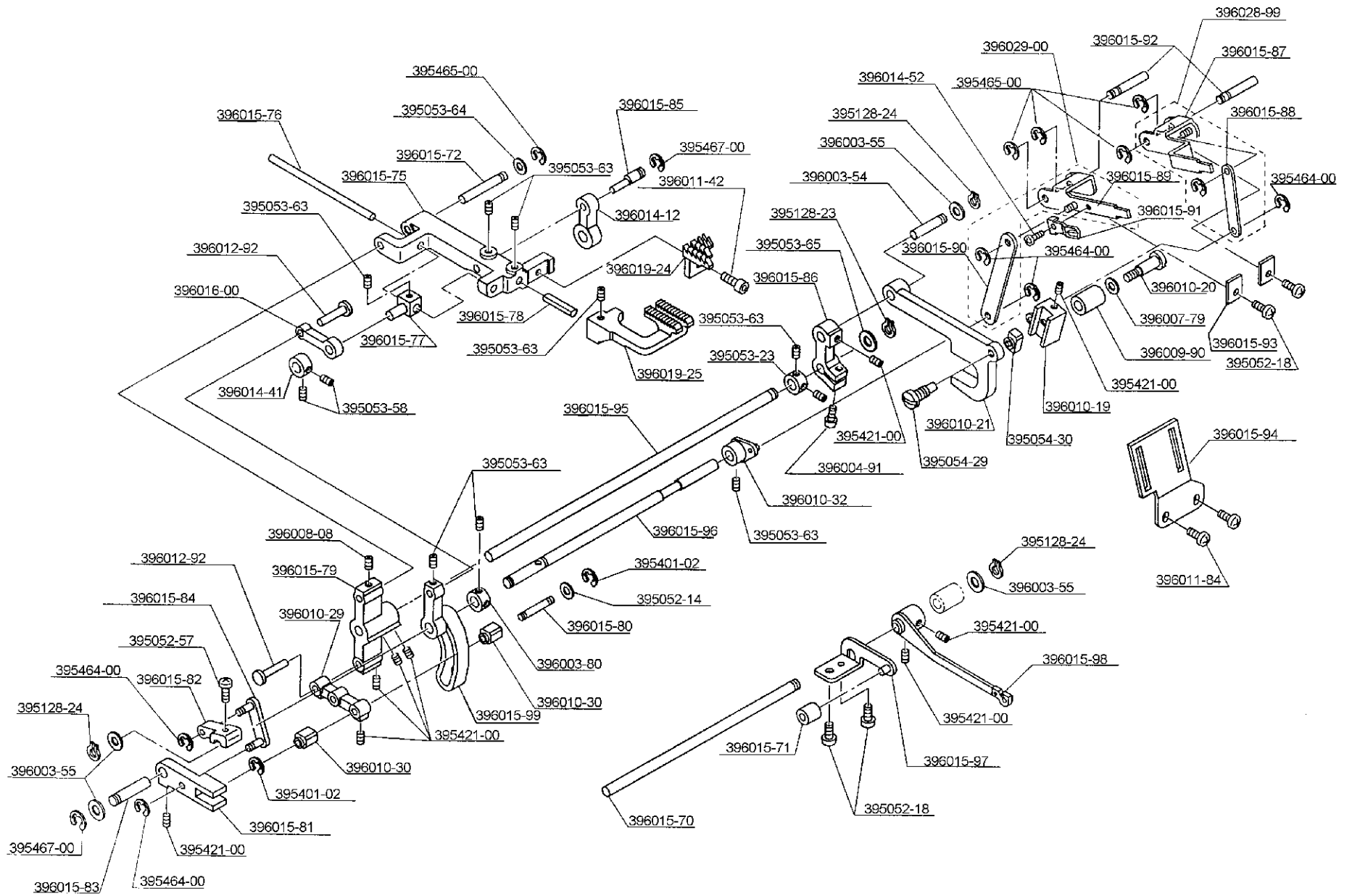
395047-24	Friction washer 6x14x0.15	396014-68	Needle clamp tilt release pin
395047-98	Grub screw M 5x5	396014-69	Needle clamp red cap
395052-18	Screw M 4x8	396014-70	Needle clamp tilt release plate
395052-57	Screw M 4x10	396014-74	Presser bar spring
395053-58	Grub screw M 3x3	396014-76	" Presser foot lever, assem. "
395053-63	Grub screw M4x4	396014-77	Pressure foot lever
395054-50	Knob spring – 101 - 103 - 104	396014-78	Pressure foot lever cap
395128-24	Clip ring # 7	396014-81	Needle clamp Allen screw
395402-00	Screw # 7x8	396014-82	Needle bar stopper
395421-00	Grub screw M 4x5	396017-04	Pressure adjustment base holder
395465-00	Snap ring # 4	396019-20	Needle clamp thread guide
396002-15	Set screw - type 2	396019-21	Needle thread support guide
396003-55	Washer STW-FT 7x1	396019-23	Presser foot shank
396003-61	Needle bar link	396019-32	Crank (L)
396006-76	Needle plate position screw	396019-42	Reflex partition plate
396006-93	Thread cutter	396026-24	Thread guide spring plate
396008-11	Felt washer 7x13x2	396026-26	Needle bar assem., complete set, 925
396009-23	Dry lock Allen screw M 3x3	396026-27	Needle bar with needle clamp, 925
396009-64	Needle bar stud	396028-82	Screw M1. 7x3
396009-66	Needle bar link pin	396028-95	Needle plate screw
396009-68	Upper axle	408640-10	Ring
396009-71	Crank rod		
396009-72	Presser bar		
396009-74	Presser bar guide		
396009-75	Presser bar lift crank		
396009-86	Crank cam		
396010-12	Needle plate screw comp.		
396011-52	Grub screw M 4x6		
396011-88	Allen screw M 5x8 flat tip		
396013-65	Needle plate		
396013-87	Presser foot, 704 / 925, type 2		
396014-54	Pressure control lever, assem.		
396014-55	Pressure control axle		
396014-56	Pressure control dial		
396014-58	Instant rolled / narrow hem device, 905		
396014-59	Instant rolled / narrow hem device holder		
396014-60	Instant rolled / narrow hem bracket, 905		
396014-61	Sleeve		
396014-62	Needle thread take-up lever, assem.		
396014-65	Needle bar crank, right		
396014-66	Stitch tongue spring		



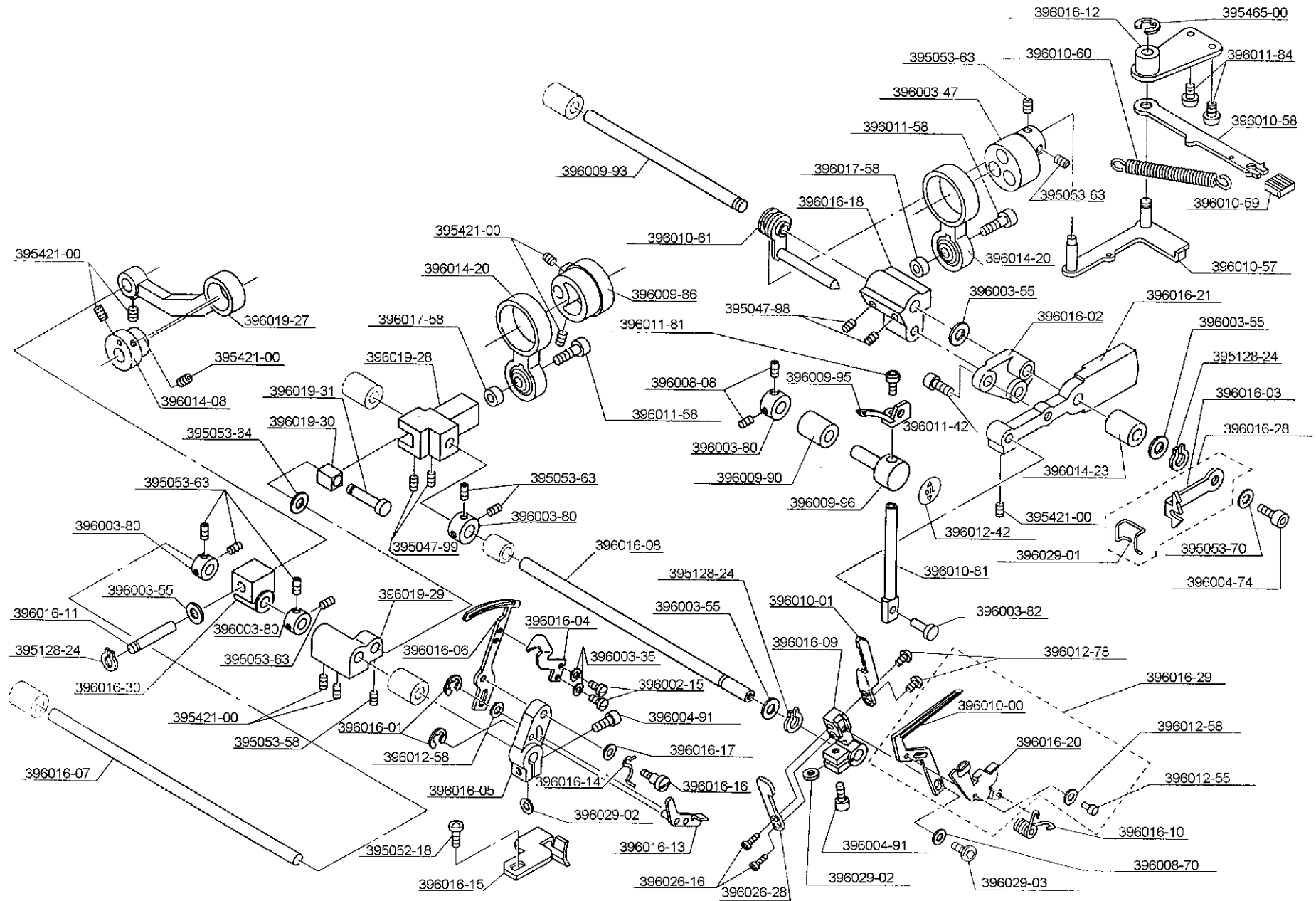
395053-23	Lower shaft collar
395053-63	Grub screw M 4x4
395053-65	Washer STW-FM 8x1
395054-44	Roll pin 3x16
395128-23	Clip ring # 8
395421-00	Grub screw M 4x5
396003-47	Looper rod eccentric
396007-62	Feed cam
396009-69	Bearing
396009-71	Crank rod
396009-86	Crank cam
396010-21	Feed forked rod
396010-46	Belt XL 136
396011-39	Tapping screw M 3x8.5
396011-52	Grub screw M 4x6
396014-08	Chain stitch eccentric
396014-09	Cam
396014-11	Cutter cam
396014-12	Feed eccentric
396014-13	Cutter conn. rod
396014-15	Cam holder
396014-16	Main shaft
396014-17	Main balance weigh, left
396014-18	Flywheel cap
396014-20	Ball rod assem.
396014-22	Bearing
396019-02	Position mark
396019-27	Chain looper rod
396026-49	Flywheel, type 2
396028-51	Screw M 4x20 SWW
396028-98	Hand wheel weight balance



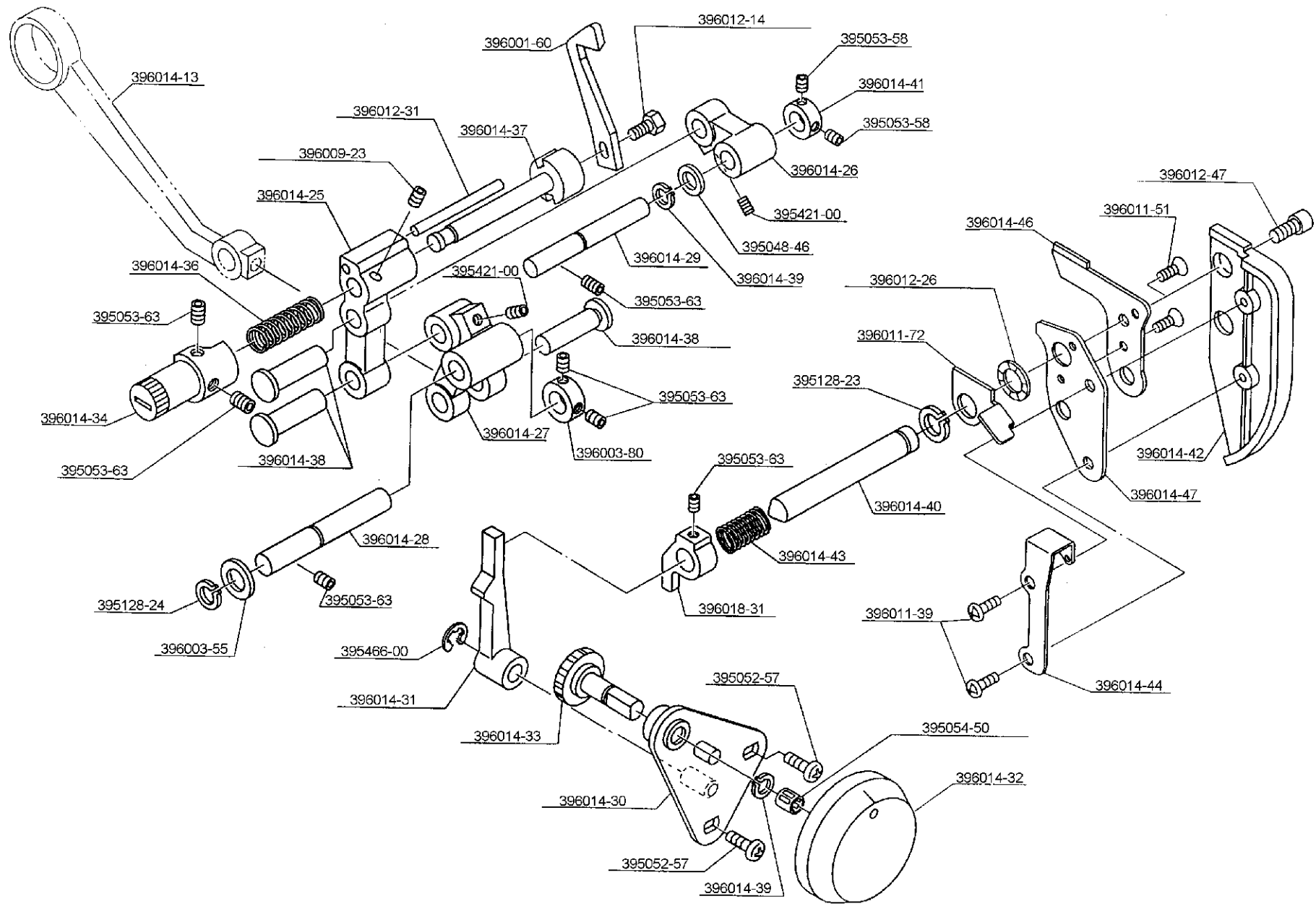
395010-32	DF axle arm	396015-75	Feed bar
395052-14	Washer 9x4x0,8	396015-76	Feed bar axle
395052-18	Screw M4x8	396015-77	Feed bar rod
395052-57	Screw M4x10	396015-78	Guide pin
395053-23	Lower shaft collar	396015-79	Feed rock lever, left
395053-58	Grub screw M3x3	396015-80	Slide pin
395053-63	Grub screw M4x4	396015-81	D.F. guide lever
395053-64	Washer STW-FT 5x0,5	396015-82	D.F. axle arm
395053-65	Washer STW-FM 8x1	396015-83	D.F. guide pin
395054-29	Feed S.B. hinge screw	396015-84	" D.F. Conn. rod, left "
395054-30	Feed slide block	396015-85	Feed dog Conn. pin
395128-23	Clip ring # 8	396015-86	Feed dog lever back
395128-24	Clip ring # 7	396015-87	Stitch length lever
395401-02	Snap ring # 2,5	396015-88	S.L. lever Conn. rod
395421-00	Grub screw M4x5	396015-89	D.F. lever
395464-00	Snap ring # 3	396015-90	D.F. Conn. rod, right
395465-00	Snap ring # 4	396015-91	Spring plate
395467-00	Snap ring # 6	396015-92	S.L. Lever pin
396003-54	Needle bar rod pin	396015-92	S.L. lever pin
396003-55	Washer STW-FT 7x1	396015-93	S.L. plate
396003-80	Collar diameter 7	396015-94	Lever stopper plate
396004-91	Allen screw M4x12	396015-95	Feed rock axle
396007-79	Friction washer diameter 7	396015-96	D.F. axle
396008-08	Grub screw M4x3	396015-97	CS take-up lever support
396009-90	Looper axle bearing	396015-98	CS take-up lever
396010-19	Feed regulator	396015-99	" Feed rock lever, back "
396010-20	Feed regulator pin	396016-00	Feed rock Conn. rod.
396010-21	Feed forked rod	396019-24	Feed dog, back
396010-29	DF regulator rod	396019-25	Feed dog, front
396010-30	DF regulator slide block	396028-99	Stitch length lever assembled
396011-42	Allen screw M4x10P	396029-00	Differential feed lever assembled
396011-84	Tapping screw M4x8S		
396012-92	Link pin		
396014-12	Feed eccentric		
396014-41	Collar # 6		
396014-52	Screw		
396015-70	Chain stitch take-up lever axle		
396015-71	Cam roller		
396015-72	Feed bar conn. pin back		



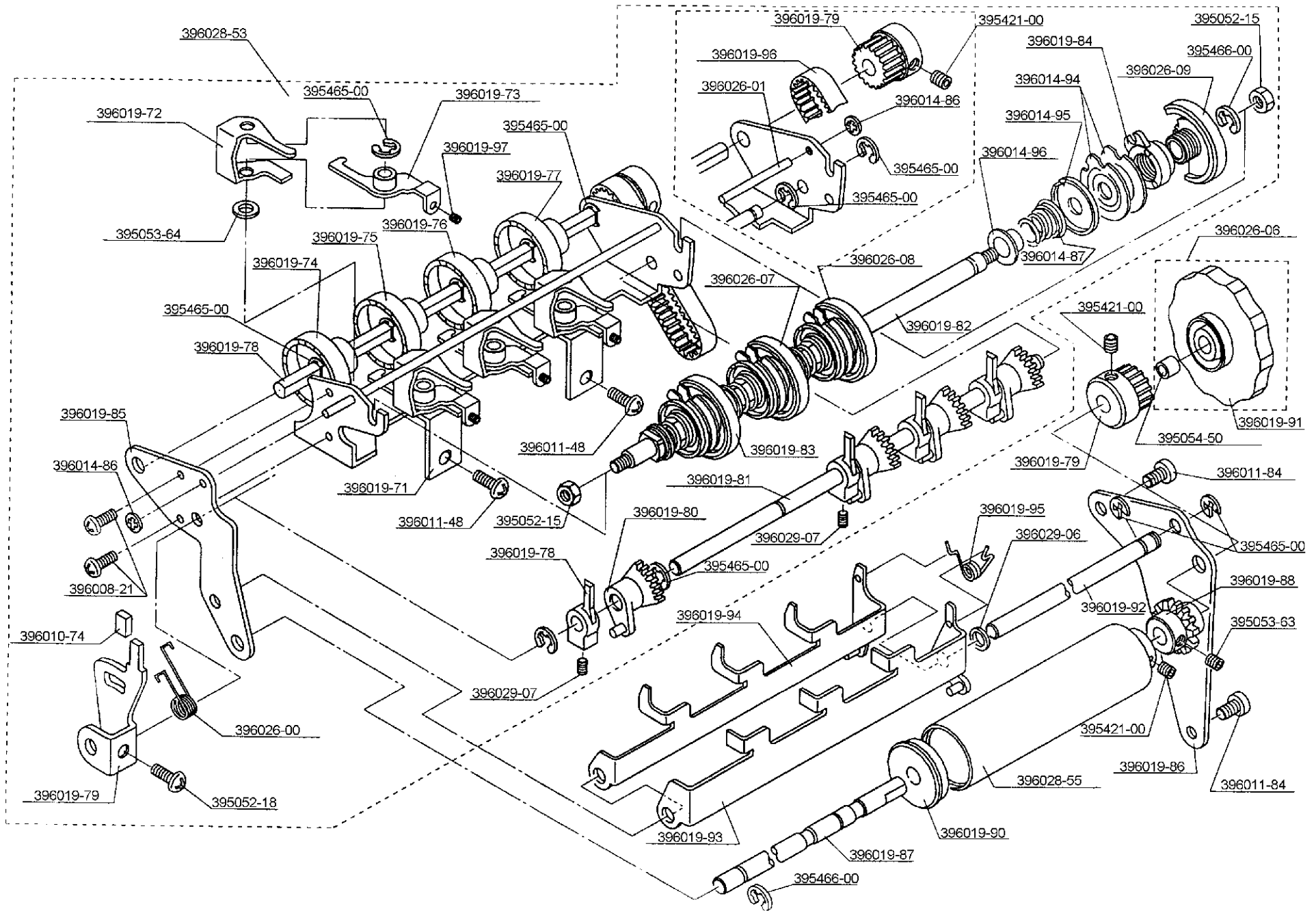
395047-98	Grub screw M 5x5	396012-58	Washer 2,7x6,5x0,5
395047-99	Screw	396012-78	Allen screw M 3x6
395052-18	Screw M4x8	396014-08	Chain stitch eccentric
395053-58	Grub screw M 3x3	396014-20	Ball rod assem.
395053-63	Grub screw M4x4	396014-23	Bearing 904
395053-64	Washer STW-FT 5 x 0,5	396016-01	E ring ø 2
395053-70	Conical washer 8x4x0,4	396016-02	Upper looper arm (2) 905DCX
395128-24	Clip ring # 8	396016-03	Upper looper take up lever
395421-00	Grub screw M4x5	396016-04	Chain looper guard
395465-00	Snap ring # 4	396016-05	Chain looper crank
396002-15	Stitch tongue set screw-type 2	396016-06	Chain looper
396003-35	Washer	396016-07	Chain looper axle
396003-47	Looper rod eccentric	396016-08	Lower looper axle
396003-55	Washer STW-FT 7x1	396016-09	Lower looper support
396003-80	Collar E 7	396016-10	Lower looper guide spring
396003-82	Upper looper shaft pin	396016-11	Slider pin
396004-74	Allen screw M4x6	396016-12	Upper looper release bracket
396004-91	Allen screw M4x12	396016-13	CS kick lever
396008-08	Grub screw M4x3	396016-14	CS spring
396008-70	Conical washer 3x7	396016-15	CS fixed plate
396009-86	Crank cam	396016-16	CS screw
396009-90	Looper axle bearing	396016-17	Washer
396009-93	Upper looper axle	396016-18	Upper looper oscillating crank
396009-95	Upper looper	396016-20	Lower looper pivoting thread guide
396009-96	Upper looper shaft guide	396016-21	Upper looper arm, 905
396010-00	Lower looper	396016-28	Upper looper take up, assem.
396010-01	Overlock needle guard	396016-29	Lower looper assem.
396010-57	Looper release crank	396016-30	CS Slider
396010-58	Upper looper release lever	396017-58	Spacer M 5x3
396010-59	Lever knop	396019-27	Chain looper rod
396010-60	Release lever spring	396019-28	Lower looper oscillating crank
396010-61	Axle rocker joint pin	396019-29	Chain looper rocker
396010-81	Upper looper shaft	396019-30	Chain looper rocker cube
396011-42	Allen screw M4x10P	396019-31	Slider pin
396011-58	Allen screw M5x18P	396026-16	Screw M 3x5
396011-81	Allen screw M4x8 Pan	396026-28	Lower looper support
396011-84	Tapping screw M4x8 S	396029-01	Upper thread guide spring
396012-42	Oil mark round	396029-02	Washer
396012-55	Revet	396029-03	M3x8 button bolt



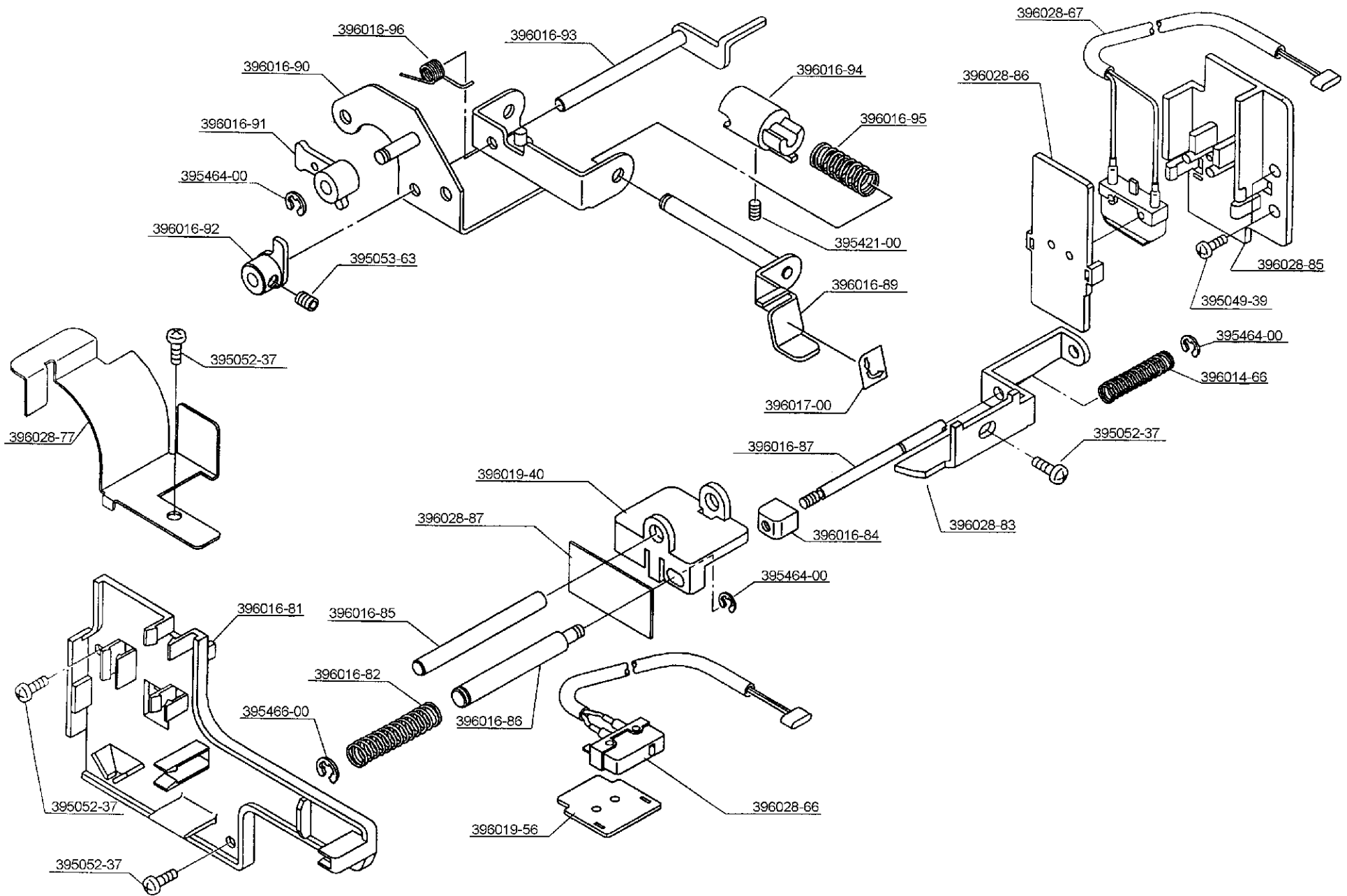
395048-46	Washer STW-FT 6x1	396014-47	Fixed blade support
395052-57	Screw M 4x10	396018-31	Moving blade shift rod
395053-58	Grub screw M 3x3		
395053-63	Grub screw M 4x4		
395054-50	Knob spring – 101-103-104		
395128-23	Clip ring # 8		
395128-24	Clip ring # 7		
395421-00	Grub screw M 4x5		
395466-00	Snap ring # 5		
396001-60	Moving blade		
396003-55	Washer STW-FT 7x1		
396003-80	“ Collar E ” “ 7 ”		
396009-23	Dry lock allen screw M 3x3		
396011-39	Tapping screw M 3x8.5		
396011-51	Flush screw M 3x5		
396011-72	Needle plate lifter		
396012-14	Hexagon bolt M 4x10		
396012-26	Friction washer 13x8x0.2		
396012-31	Pin M 3x38		
396012-47	Allen screw M 4x10		
396014-13	Cutter Conn. rod		
396014-25	“ Moving blade support rod, 905 ”		
396014-26	Cutter arm (1)		
396014-27	Cutter arm (2)		
396014-28	Cutter arm axle (1)		
396014-29	Cutter arm axle (2)		
396014-30	Cutter width dial stand		
396014-31	Cutting width dial lever		
396014-32	Cutting width dial, 905		
396014-33	Cutting width dial cam		
396014-34	Cutter knob		
396014-36	Moving blade pressure spring		
396014-37	Moving blade holder		
396014-38	Pin		
396014-39	C ring # 6		
396014-40	Fixed blade axle		
396014-41	Collar # 6		
396014-42	Protection cover		
396014-43	Fixed blade pressure spring		
396014-44	Back tuck plate		
396014-46	Fixed blade, 905		



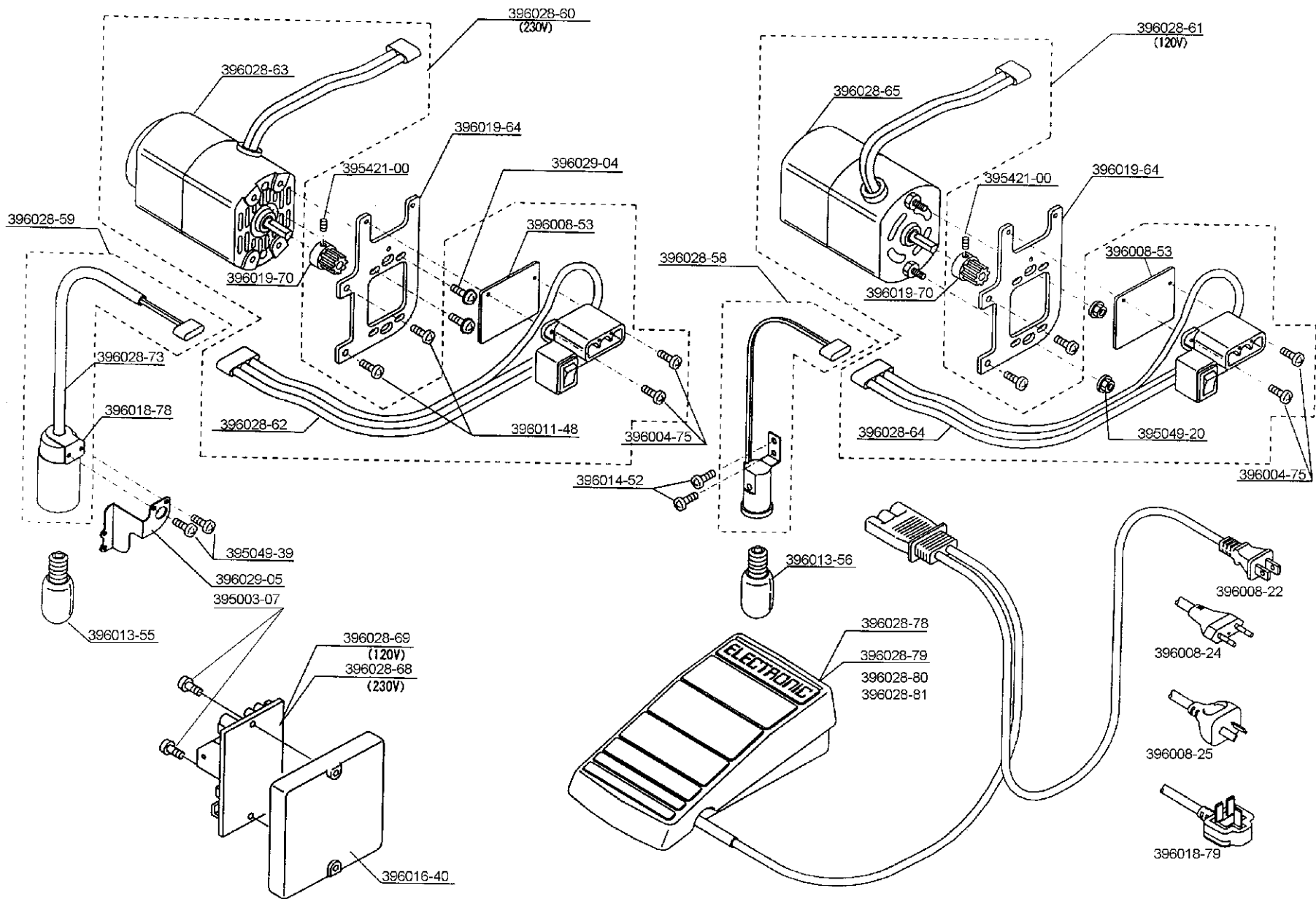
395052-15	Nut M4	396026-00	Tension release lever spring
395052-18	Screw M4x8	396026-01	DT support axle
395053-64	Washer STW-FT 5x0,5	396026-06	Program drum system unit complete
395054-50	Knop spring 101-103-104	396026-07	Tension knob red
395421-00	Grup screw M4x5	396026-08	Tension knob yellow
395465-00	Snap ring diameter 4	396026-09	Tension knob green
395466-00	Snap ring diameter 5	396028-53	Dial tension unit complete set
396008-21	Screw M3x5	396028-55	Program display roller 744
396010-74	Tension release lever tip	396029-06	Washer 5x10
396011-48	Tapping screw M4x10 S	396029-07	Grub screw M3x6
396011-84	Tapping screw M4x8 S		
396014-86	CS Nut # 3		
396019-71	Tension unit support		
396019-72	Tension cam lever		
396019-73	Tension cam lever support		
396019-74	Tension cam blue		
396019-75	Tension cam red		
396019-76	Tension cam yellow		
396019-77	Tension cam green		
396019-78	Tension cam shaft		
396019-79	Main pulley (progr. Selection)		
396019-80	Fine tuning pinion		
396019-81	Fine tuning shaft		
396019-82	Tension shaft		
396019-83	Tension knob blue		
396019-84	Add. Tension nut		
396019-85	Tension unit side support plate left		
396019-86	Tension unit side support plate right		
396019-87	Tension knob fitting shaft		
396019-88	Pinion program position		
396019-90	Roller bushing		
396019-91	Program selection dial		
396019-92	Tension shaft release plate		
396019-93	Tension release plate front		
396019-94	DT release plate rear		
396019-95	DT release spring		
396019-96	Belt PX192P3M6		
396019-97	Drylock allen screw M3x6		



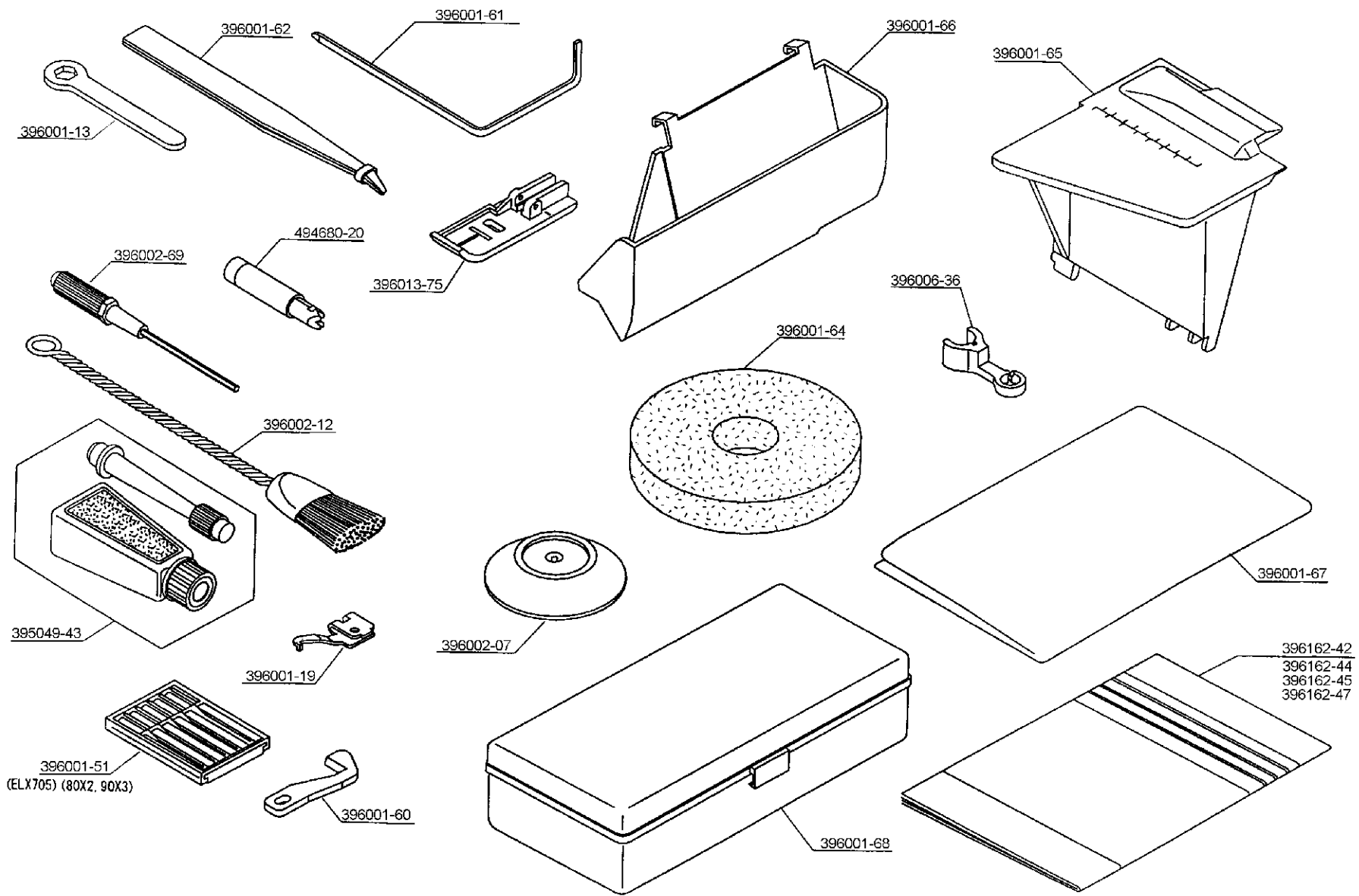
395049-39	Screw M3x5
395052-37	Screw M4x6
395053-63	Grub screw M4x4
395421-00	Grub screw M4x5
395464-00	Snap ring #3
395466-00	Snap ring #5
396014-66	Stitch tongue spring
396016-81	Accessory stand
396016-82	Side door switch spring
396016-84	Micro switch Conn. rod
396016-85	Slide shaft
396016-86	Push pin A
396016-87	Push pin B
396016-89	Safety lever
396016-90	Safety lever bracket
396016-91	Safety lever cam
396016-92	Safety lever
396016-93	Safety lever connection
396016-94	Safety lever connection cam
396016-95	Cam spring B
396016-96	Spring C
396017-00	Swing mark seal
396019-40	Micro switch support base (2)
396019-56	Micro switch base cover (2)
396028-66	Micro switch for front flap
396028-67	Micro switch for safety device
396028-77	AC cover
396028-83	Rod bracket
396028-85	Micro switch protection cover (1)
396028-86	Micro switch protection cover (2)
396028-87	Insulation plate for micro switch



395003-07	Screw M4x12
395049-20	Motor set nut M4
395049-39	Screw M3x5
395421-00	Grub screw M4x5
396004-75	Screw M4x8
396008-22	Cord set CSA 115V
396008-24	Cord set CEE 220V
396008-25	Cord set SAA/NZ 240V
396008-53	Insulation plate
396011-48	Tapping screw M4x10S
396013-55	Light bulb (220-240V)
396013-56	Light bulb (120V)
396014-52	Screw
396016-40	PCB insulation case
396018-78	Lamp holder
396018-79	Foot controller for UK
396019-64	Motor bracket
396019-70	Motor pulley
396028-58	Lamp cord set 120V
396028-59	Lamp cord set 230V
396028-60	Motor set 230V
396028-61	Motor set 120V
396028-62	Wired TE/SW set 220/240V
396028-63	Motor 230V
396028-64	Wired TE/SW set 120V
396028-65	Motor 120V
396028-68	Main PCB 230V
396028-69	Main PCB 120V
396028-73	Lamp cord 230V
396028-78	Foot control with cord for USA
396028-79	Foot control with cord for Europe
396028-80	Foot control with cord for Australia
396028-81	Foot control with cord for UK
396029-04	Screw M4x10
396029-05	Lamp holder fixing plate



395049-43	Oiler
396001-13	Wrench 7mm
396001-19	Converter
396001-51	Needle assortment Eix705 # 80-90
396001-60	Moving blade
396001-61	Quilting guide
396001-62	Tweezers
396001-64	Foam pad
396001-65	Chain stitch sewing table, 905
396001-66	Waste tray
396001-67	Dust cover, DCX
396001-68	Accessory case
396002-07	Spool cap
396002-12	Brush
396002-69	Allen screw driver 1.5mm
396006-36	Aux. thread guide
396013-75	Chain stitch foot (F)
396162-42	Instruction manual 744 (Eng, Fr, Ger, It)
396162-44	Instruction manual 744 (Eng, Fr, Sp, Dut)
396162-45	Supplementary 744 (Nor, Swe, Dan, Fin)
396162-47	Instruction manual 744 (Necchi)
494680-20	Needle threader



Parts No.	Page	Parts No.	Page	Parts No.	Page	Parts No.	Page	Parts No.	Page	Parts No.	Page
395003-07	3	395053-58	8	395421-00	8	396002-15	5	396008-08	7	396010-01	8
395003-07	12	395053-58	9	395421-00	9	396002-15	8	396008-08	8	396010-12	5
395010-32	7	395053-63	5	395421-00	10	396002-69	13	396008-11	5	396010-19	7
395047-24	5	395053-63	6	395421-00	11	396003-16	2	396008-21	10	396010-20	7
395047-98	5	395053-63	7	395421-00	12	396003-35	8	396008-22	12	396010-21	6
395047-98	8	395053-63	8	395430-00	3	396003-40	4	396008-24	12	396010-21	7
395047-99	8	395053-63	9	395464-00	4	396003-47	6	396008-25	12	396010-29	7
395048-46	9	395053-63	11	395464-00	7	396003-47	8	396008-32	2	396010-30	7
395049-19	2	395053-64	7	395464-00	11	396003-54	7	396008-53	12	396010-46	6
395049-20	12	395053-64	8	395465-00	5	396003-55	5	396008-70	8	396010-57	8
395049-39	11	395053-64	10	395465-00	7	396003-55	7	396009-23	5	396010-58	8
395049-39	12	395053-65	6	395465-00	8	396003-55	8	396009-23	9	396010-59	8
395049-43	13	395053-65	7	395465-00	10	396003-55	9	396009-64	5	396010-60	8
395049-72	4	395053-70	8	395466-00	9	396003-61	5	396009-66	5	396010-61	8
395052-14	7	395054-29	7	395466-00	10	396003-67	1	396009-68	5	396010-72	3
395052-15	10	395054-30	7	395466-00	11	396003-68	1	396009-69	1	396010-74	10
395052-17	2	395054-44	6	395467-00	7	396003-80	7	396009-69	6	396010-81	8
395052-18	1	395054-50	5	396001-13	13	396003-80	8	396009-71	5	396011-39	2
395052-18	5	395054-50	9	396001-19	13	396003-80	9	396009-71	6	396011-39	6
395052-18	7	395054-50	10	396001-51	13	396003-82	8	396009-72	5	396011-39	9
395052-18	8	395128-23	6	396001-60	9	396004-74	8	396009-73	1	396011-42	7
395052-18	10	395128-23	7	396001-60	13	396004-75	12	396009-74	5	396011-42	8
395052-37	2	395128-23	9	396001-61	13	396004-91	7	396009-75	5	396011-48	10
395052-37	11	395128-24	5	396001-62	13	396004-91	8	396009-86	5	396011-48	12
395052-57	2	395128-24	7	396001-64	2	396006-36	13	396009-86	6	396011-49	2
395052-57	3	395128-24	8	396001-64	13	396006-76	5	396009-86	8	396011-51	9
395052-57	5	395128-24	9	396001-65	13	396006-93	5	396009-90	1	396011-52	5
395052-57	7	395401-02	7	396001-66	13	396007-42	4	396009-90	7	396011-52	6
395052-57	9	395402-00	5	396001-67	13	396007-62	6	396009-90	8	396011-57	2
395053-23	6	395421-00	1	396001-68	13	396007-79	7	396009-93	8	396011-58	8
395053-23	7	395421-00	5	396002-07	13	396007-80	4	396009-95	8	396011-72	9
395053-58	5	395421-00	6	396002-10	2	396007-81	4	396009-96	8	396011-81	8
395053-58	7	395421-00	7	396002-12	13	396007-98	2	396010-00	8	396011-84	4

Parts No.	Page	Parts No.	Page	Parts No.	Page	Parts No.	Page	Parts No.	Page	Parts No.	Page
396011-84	7	396014-18	6	396014-54	5	396015-52	2	396015-92	7	396016-32	3
396011-84	8	396014-20	6	396014-55	5	396015-53	2	396015-92	7	396016-33	3
396011-84	10	396014-20	8	396014-56	5	396015-54	2	396015-93	7	396016-34	3
396011-88	5	396014-21	1	396014-58	5	396015-55	2	396015-94	7	396016-38	3
396012-14	9	396014-22	1	396014-59	5	396015-56	2	396015-95	7	396016-40	12
396012-17	4	396014-22	6	396014-60	5	396015-57	2	396015-96	7	396016-41	3
396012-26	9	396014-23	1	396014-61	5	396015-59	2	396015-97	7	396016-44	3
396012-31	9	396014-23	8	396014-62	5	396015-60	2	396015-98	7	396016-45	3
396012-42	8	396014-24	1	396014-65	5	396015-61	2	396015-99	7	396016-46	3
396012-47	9	396014-25	9	396014-66	5	396015-62	2	396016-00	7	396016-54	3
396012-55	8	396014-26	9	396014-66	11	396015-64	2	396016-01	8	396016-57	3
396012-58	8	396014-27	9	396014-68	5	396015-65	2	396016-02	8	396016-58	3
396012-66	3	396014-28	9	396014-69	5	396015-66	2	396016-03	8	396016-60	1
396012-78	8	396014-29	9	396014-70	5	396015-70	7	396016-04	8	396016-60	3
396012-84	4	396014-30	9	396014-74	5	396015-71	7	396016-05	8	396016-65	3
396012-92	7	396014-31	9	396014-76	5	396015-72	7	396016-06	8	396016-66	3
396013-01	3	396014-32	9	396014-77	5	396015-75	7	396016-07	8	396016-69	3
396013-55	12	396014-33	9	396014-78	5	396015-76	7	396016-08	8	396016-81	11
396013-56	12	396014-34	9	396014-81	5	396015-77	7	396016-09	8	396016-82	11
396013-65	5	396014-36	9	396014-82	5	396015-78	7	396016-10	8	396016-84	11
396013-75	13	396014-37	9	396014-86	10	396015-79	7	396016-11	8	396016-85	11
396013-87	5	396014-38	9	396015-16	4	396015-80	7	396016-12	8	396016-86	11
396014-08	6	396014-39	9	396015-17	4	396015-81	7	396016-13	8	396016-87	11
396014-08	8	396014-40	9	396015-19	4	396015-82	7	396016-14	8	396016-89	11
396014-09	6	396014-41	7	396015-20	4	396015-83	7	396016-15	8	396016-90	11
396014-11	6	396014-41	9	396015-28	4	396015-84	7	396016-16	8	396016-91	11
396014-12	6	396014-42	9	396015-30	4	396015-85	7	396016-17	8	396016-92	11
396014-12	7	396014-43	9	396015-33	4	396015-86	7	396016-18	8	396016-93	11
396014-13	6	396014-44	9	396015-44	2	396015-87	7	396016-20	8	396016-94	11
396014-13	9	396014-46	9	396015-45	2	396015-88	7	396016-21	8	396016-95	11
396014-15	6	396014-47	9	396015-46	2	396015-89	7	396016-28	8	396016-96	11
396014-16	6	396014-52	7	396015-49	2	396015-90	7	396016-29	8	396017-00	11
396014-17	6	396014-52	12	396015-50	2	396015-91	7	396016-30	8	396017-04	5

Parts No.	Page	Parts No.	Page	Parts No.	Page	Parts No.	Page	Parts No.	Page	Parts No.	Page
396017-58	8	396019-73	10	396026-16	8	396028-76	4				
396018-31	9	396019-74	10	396026-22	3	396028-77	11				
396018-78	12	396019-75	10	396026-24	5	396028-78	12				
396018-79	12	396019-76	10	396026-26	5	396028-79	12				
396019-02	6	396019-77	10	396026-27	5	396028-80	12				
396019-20	5	396019-78	10	396026-28	8	396028-81	12				
396019-21	5	396019-79	10	396026-49	6	396028-82	5				
396019-23	5	396019-80	10	396028-01	4	396028-83	11				
396019-24	7	396019-81	10	396028-51	6	396028-85	11				
396019-25	7	396019-82	10	396028-52	3	396028-86	11				
396019-26	3	396019-83	10	396028-53	10	396028-87	11				
396019-27	6	396019-84	10	396028-54	4	396028-88	2				
396019-27	8	396019-85	10	396028-55	10	396028-90	2				
396019-28	8	396019-86	10	396028-56	3	396028-92	3				
396019-29	8	396019-87	10	396028-57	3	396028-93	4				
396019-30	8	396019-88	10	396028-58	12	396028-94	4				
396019-31	8	396019-90	10	396028-59	12	396028-95	5				
396019-32	5	396019-91	10	396028-60	12	396028-98	6				
396019-36	2	396019-92	10	396028-61	12	396028-99	7				
396019-37	2	396019-93	10	396028-62	12	396029-00	7				
396019-38	3	396019-94	10	396028-63	12	396029-01	8				
396019-40	11	396019-95	10	396028-64	12	396029-02	8				
396019-42	5	396019-96	10	396028-65	12	396029-03	8				
396019-49	2	396019-97	10	396028-66	11	396029-04	12				
396019-50	2	396026-00	10	396028-67	11	396029-05	12				
396019-55	3	396026-01	10	396028-68	12	396029-06	10				
396019-56	11	396026-04	4	396028-69	12	396029-07	10				
396019-58	2	396026-06	10	396028-70	3	396162-42	13				
396019-58	4	396026-07	10	396028-71	3	396162-44	13				
396019-64	12	396026-08	10	396028-72	3	396162-45	13				
396019-70	12	396026-09	10	396028-73	12	396162-47	13				
396019-71	10	396026-10	3	396028-74	3	408640-10	5				
396019-72	10	396026-12	2	396028-75	3	494680-20	13				