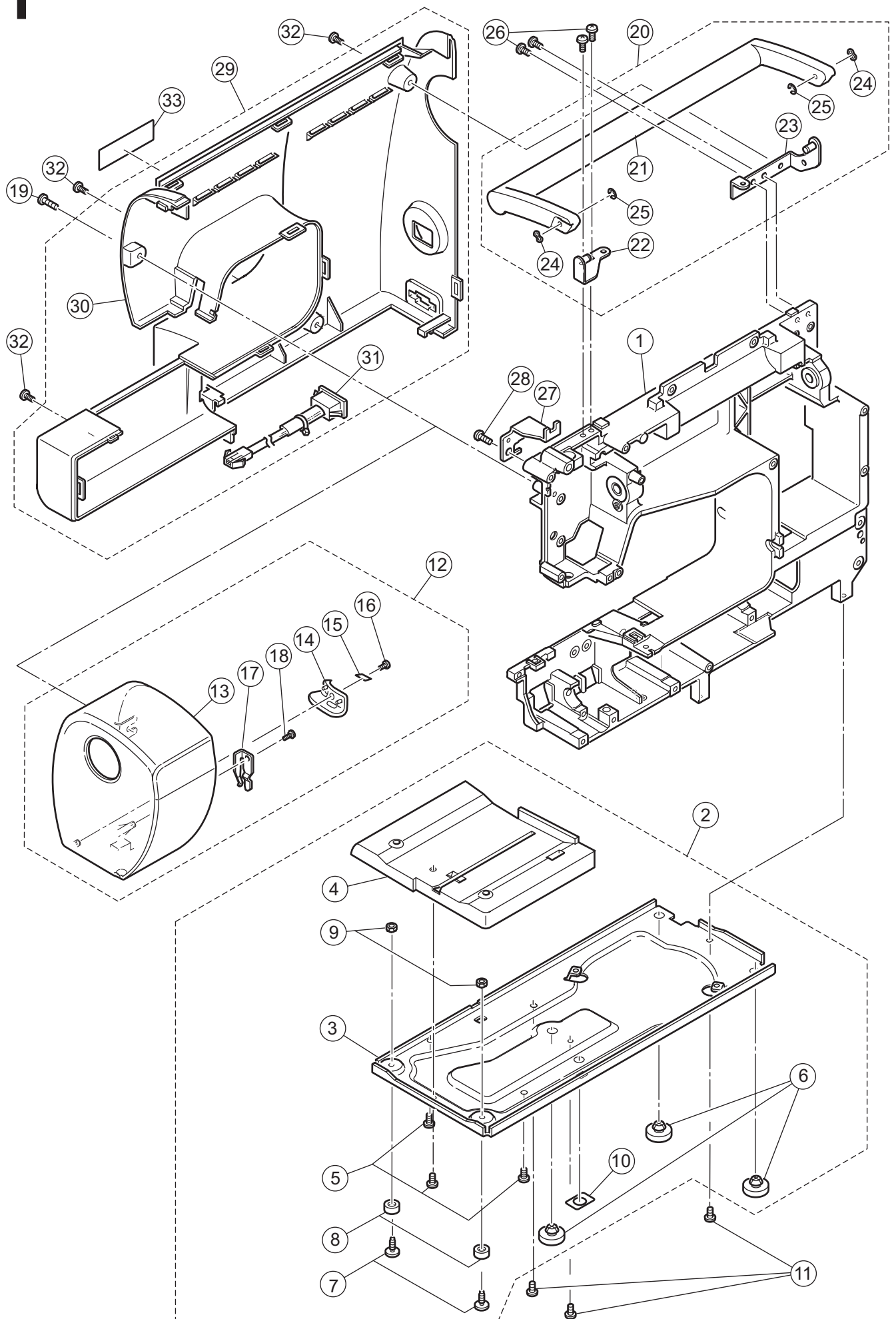


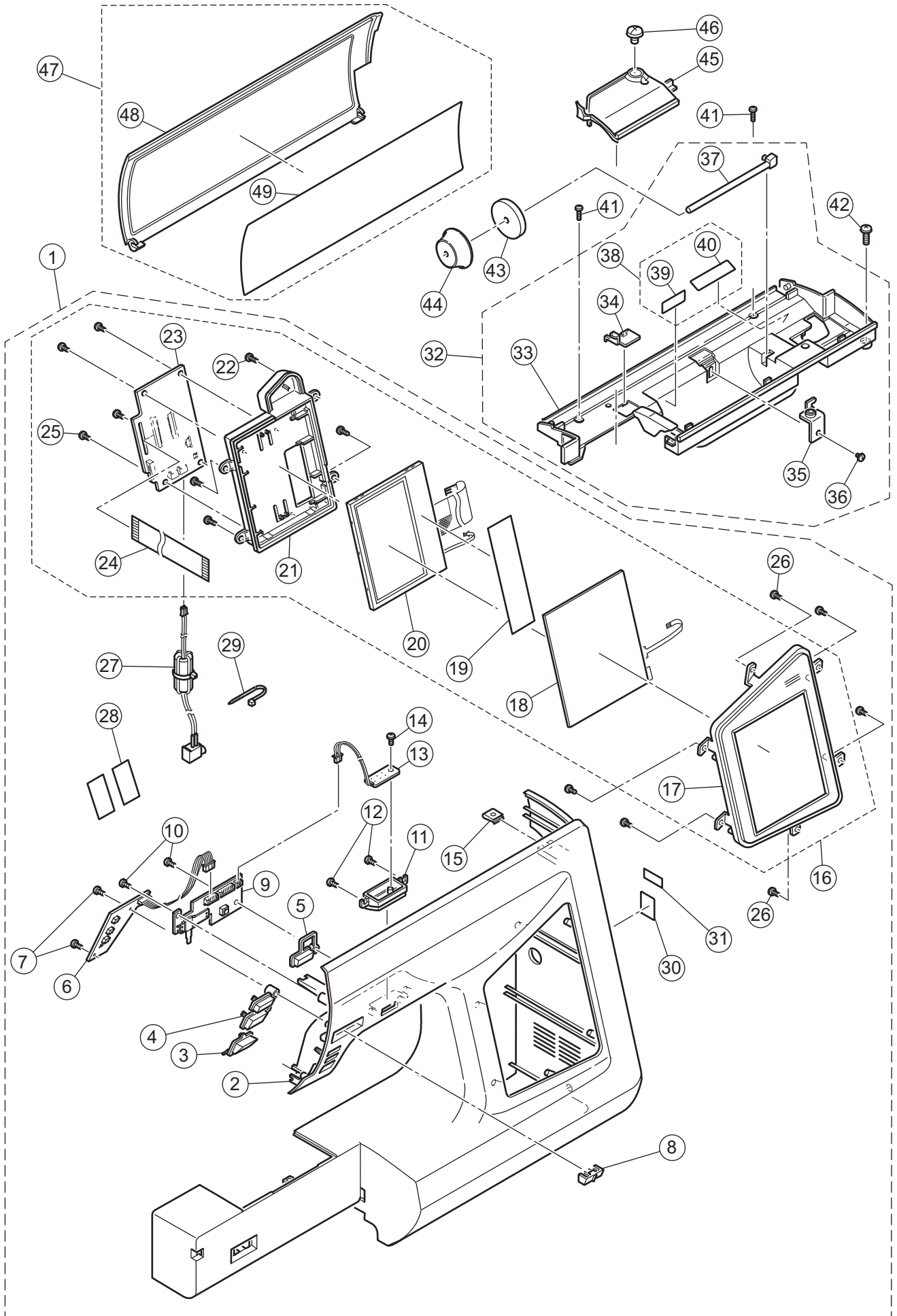
# SPARE PARTS LIST

MODEL N7000

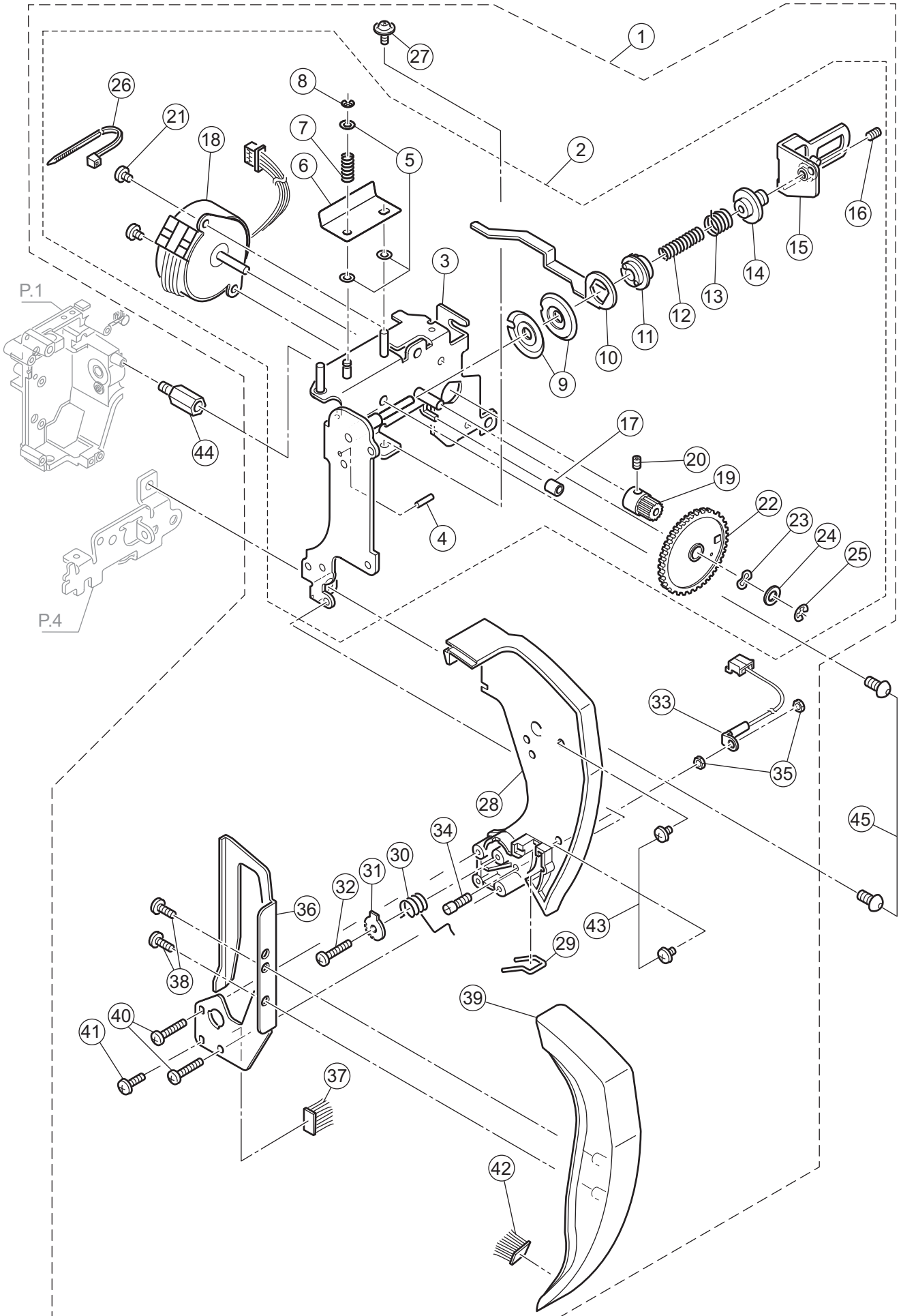




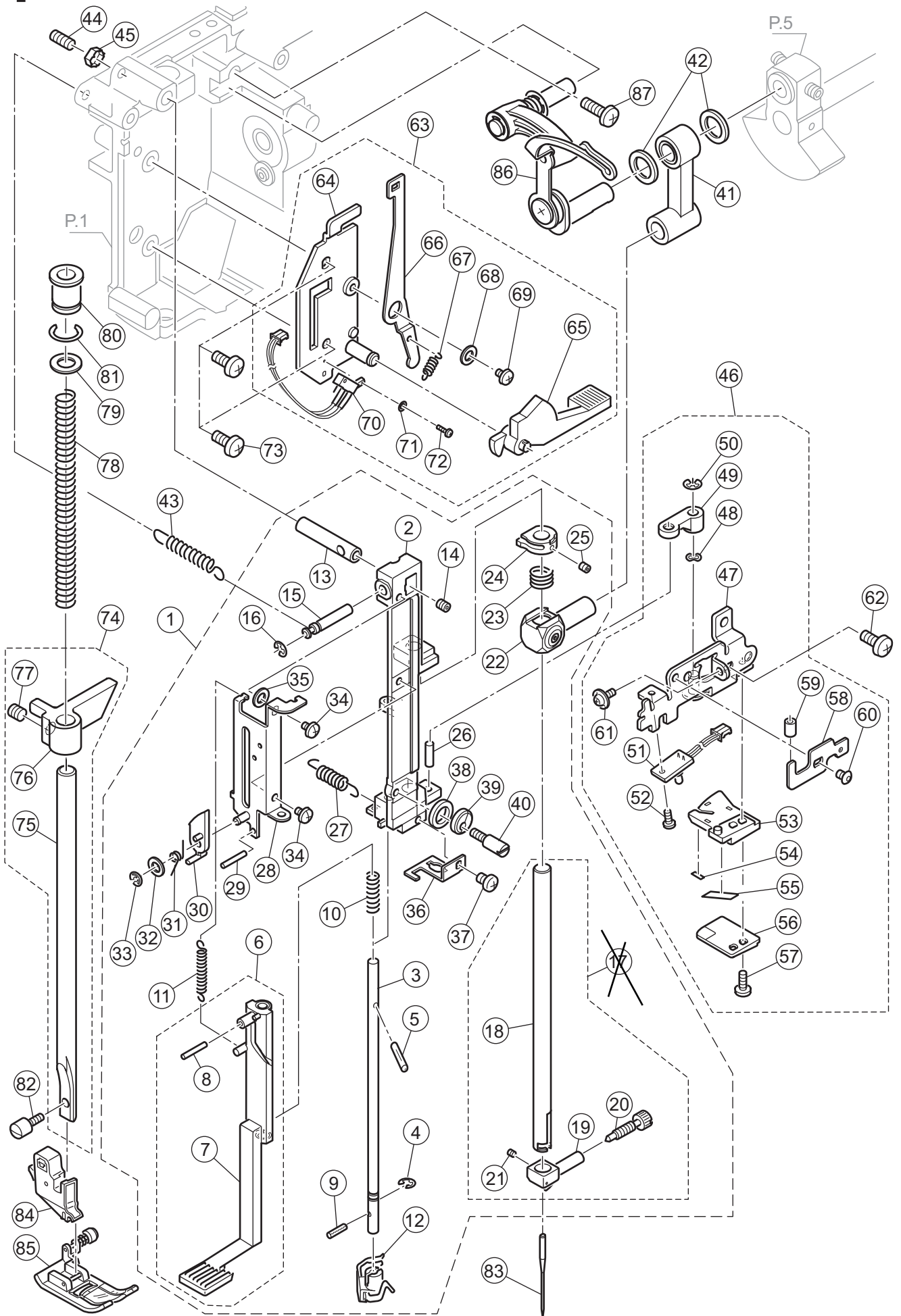
| <b>Ref No</b> | <b>Part No</b> | <b>Part Name</b>               |
|---------------|----------------|--------------------------------|
| 1             | 34390          | Machine Frame Assy.            |
| 2             | 33131-2        | Base Assy.(Incl.3-10)          |
| 3             | 32753          | Base                           |
| 4             | 32754          | Base Cover                     |
| 5             | S61041         | PT Binding Screw M4*8          |
| 6             | 32755          | Rubber Foot (A)                |
| 7             | S32757         | Cross Recessed Head Screw M4   |
| 8             | 32756          | Rubber Foot (B)                |
| 9             | N91648         | Adjustable Lock Nut            |
| 10            | 33323          | Guide Plate for Stitch Balance |
| 11            | S31293         | Set Screw                      |
| 12            | 34627-3        | Face Plate Assy.(Incl.13-18)   |
| 13            | 34628-3        | Face Plate                     |
| 14            | 31966          | Thread Cutter Base             |
| 15            | 31967          | Thread Cutter                  |
| 16            | S31244         | PT Binding Screw M3*6          |
| 17            | 34629          | Spring for Loupe               |
| 18            | S30271         | PT Binding Screw M3*8          |
| 19            | S10706         | Binding Head Screw M4*14       |
| 20            | 33496-B        | Handle Assy.(Incl.21-25)       |
| 21            | 33389-B        | Handle                         |
| 22            | 33486          | Handle Hinge (Left) Assy.      |
| 23            | 33487          | Handle Hinge (Right) Assy.     |
| 24            | 12006          | Wave Washer                    |
| 25            | 04993          | Snap Ring                      |
| 26            | S31293         | Set Screw                      |
| 27            | 33515          | Rear Cover Stabilize Plate     |
| 28            | S12785         | Set Screw                      |
| 29            | 34057-2        | Rear Cover Assy.(Incl.30-31)   |
| 30            | 34051-2        | Rear Cover                     |
| 31            | 33089          | Terminal Box Assy.             |
| 32            | S90810         | (+)(-)Binding Head Screw M4*8  |
| 33            | 36711          | Electrical Rating Label        |



| <b>Ref No</b> | <b>Part No</b> | <b>Part Name</b>                       |
|---------------|----------------|--|
| 1             | 36063-2        | Front Cover Assy.(Incl.2-32)           |
| 2             | 34631-3        | Front Cover                            |
| 3             | 34632-2        | Start/Stop Key-Top                     |
| 4             | 34633-2        | Switch Key-top                         |
| 5             | 34634-2        | Thread Cutter Key-top                  |
| 6             | 34657          | Switch Board Assy.                     |
| 7             | S31244         | PT Binding Screw M3*6                  |
| 8             | 34635          | Speed Control Key-top                  |
| 9             | 34658          | Speed Control Board Assy.              |
| 10            | S31244         | PT Binding Screw M3*6                  |
| 11            | 33449          | LED Light Cover                        |
| 12            | S31244         | PT Binding Screw M3*6                  |
| 13            | 34659          | LED Board Assy.                        |
| 14            | S31244         | PT Binding Screw M3*6                  |
| 15            | N30009         | Speed Nut                              |
| 16            | 36064          | Control Panel Assy.(Incl.17-26)        |
| 17            | 34637          | Control Panel                          |
| 18            | 34650          | Touch Panel                            |
| 19            | 34681-2        | Information Plate                      |
| 20            | 34649          | LCD                                    |
| 21            | 34638          | LCD Cover                              |
| 22            | S30271         | PT Binding Screw M3*8                  |
| 23            | 36065          | Relay Board Assy.                      |
| 24            | LD281          | Relay Board FFC                        |
| 25            | S31244         | PT Binding Screw M3*6                  |
| 26            | S31244         | PT Binding Screw M3*6                  |
| 27            | 33171          | Controller Cord Assy.                  |
| 28            | 31599          | Filament Tape                          |
| 29            | 11380          | Cord Band                              |
| 30            | 34392          | Emboidry Unit Connect Sticker          |
| 31            | 35418          | Arrow Sticker                          |
| 32            | 34896-2        | Unit Cover Assy.(Incl.33-40)           |
| 33            | 34829          | Unit Cover                             |
| 34            | 33483          | Thread Guide                           |
| 35            | 33400          | Thread Guide Assy.                     |
| 36            | S31584         | (+)(-)Binding Head Screw M3*5          |
| 37            | 32737          | Spool Pin                              |
| 38            | 34278-2        | Bobbin Winder Sticker Set (Incl.39-40) |
| 39            | 34278-1        | Thread Spool Sticker                   |
| 40            | 34223-3        | Bobbin Winder Sticker 2                |
| 41            | S11984         | Binding Head Screw M3*10               |
| 42            | S12785         | Set Screw                              |
| 43            | 33521          | Felt                                   |
| 44            | 30074          | Thread Cap                             |
| 45            | 33392-B        | Thread Tension Cover                   |
| 46            | S31584         | (+)(-)Binding Head Screw M3*5          |
| 47            | 34642-2        | Flap Assy.(Incl.48-49)                 |
| 48            | 34643          | Flap                                   |
| 49            | 34677-2        | Pattern Chart                          |

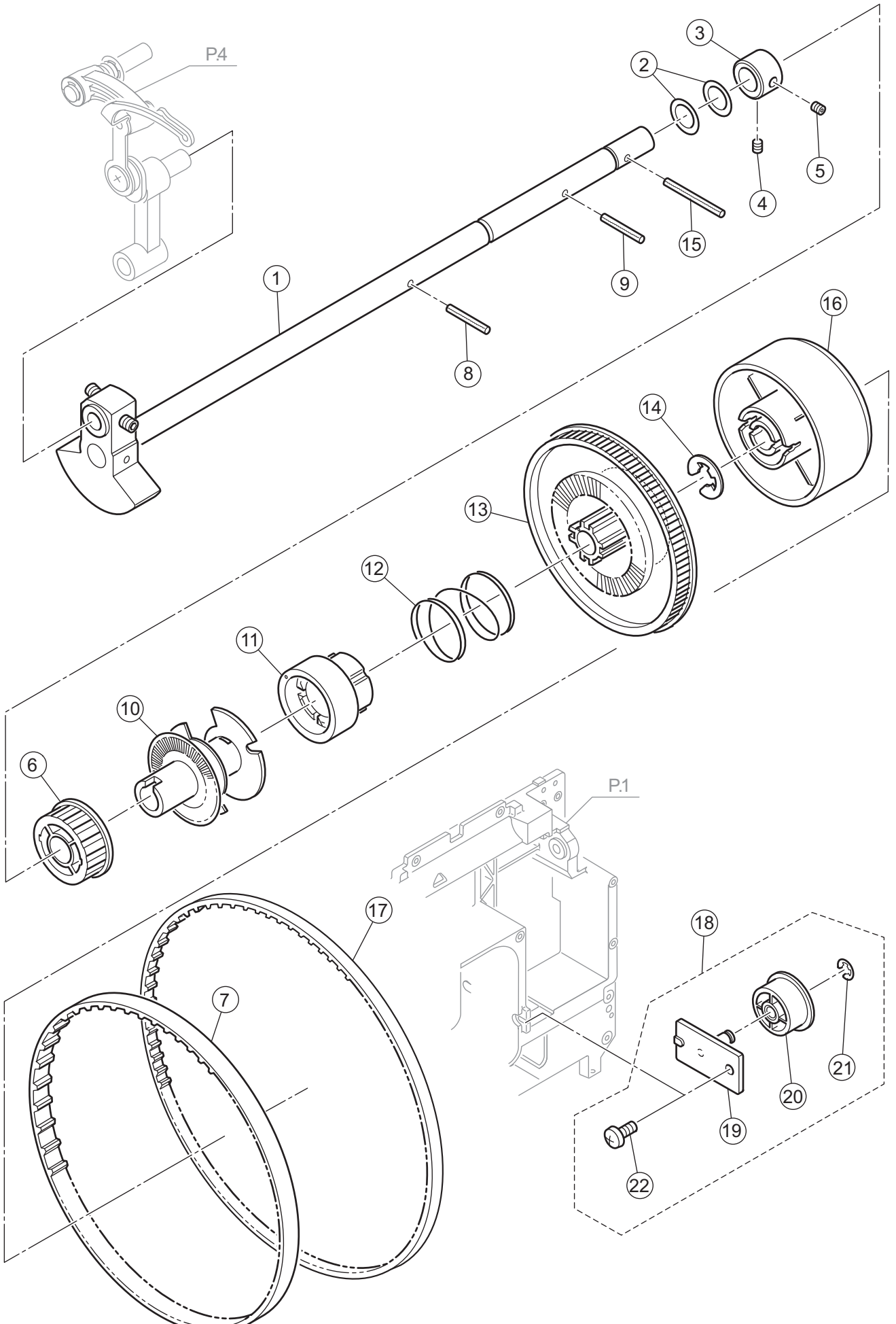


| <b>Ref No</b> | <b>Part No</b> | <b>Part Name</b>                              |
|---------------|----------------|---|
| 1             | 34639          | Thread Tension Regulator Unit<br>(Incl.2-43)  |
| 2             | 33407          | Thread Tension Assy.(Incl.3-26)               |
| 3             | 33410          | Thread Tension Base Assy.                     |
| 4             | 30261-1        | Spring Pin                                    |
| 5             | 32944          | Polyslider                                    |
| 6             | 32787          | Pre-Tension Plate                             |
| 7             | 32788          | Pre-Tension Spring                            |
| 8             | 60018          | Snap Ring                                     |
| 9             | 30928          | Thread Tension Disc                           |
| 10            | 32775          | Thread Tension Releasing Plate                |
| 11            | 30154          | Tension Collar                                |
| 12            | 33465          | Thread Tension Sub-spring                     |
| 13            | 33283          | Thread Tension Spring                         |
| 14            | 32777          | Tension Regulating Screw                      |
| 15            | 33402          | Thread Tension Plate Assy.                    |
| 16            | S30587         | Set Screw with Flat Point M3*6                |
| 17            | 33466          | Rubber Cushion                                |
| 18            | 33288          | Tension Release Pulse Motor                   |
| 19            | 32911          | Pulse Motor Gear                              |
| 20            | S33374         | Set Screw with Flat Point M3*3                |
| 21            | S30695         | Binding Head Screw M3*3                       |
| 22            | 33285          | Thread Tension Cam                            |
| 23            | 12487          | Wave Washer                                   |
| 24            | 03438          | Washer  |
| 25            | 07221          | Snap Ring                                     |
| 26            | 11380          | Cord Band                                     |
| 27            | S31582         | Cross Recessed Head Screw with<br>Flange M3*6 |
| 28            | 34640          | Thread Guide Cover                            |
| 29            | 33278          | Thread Guide                                  |
| 30            | 33335          | Thread Check Spring                           |
| 31            | 32783          | Check Spring Adjust Plate                     |
| 32            | S11431         | Pan Head Screw M3*14                          |
| 33            | LD232          | Thread Check Spring Cord                      |
| 34            | 33432          | Thread Check Spring Shaft                     |
| 35            | N13189         | Nut   |
| 36            | 33277          | Thread Take-Up Lever Guide Bracket            |
| 37            | 33163          | Brush   |
| 38            | S30271         | PT Binding Screw M3*8                         |
| 39            | 34641          | Thread Take Up Lever Cover                    |
| 40            | S11431         | Pan Head Screw M3*14                          |
| 41            | S30271         | PT Binding Screw M3*8                         |
| 42            | 34295          | Brush   |
| 43            | S12786         | Binding Head Screw M3*5                       |
| 44            | 33318          | Stud  |
| 45            | S31689         | Button Head Screw M4*8                        |

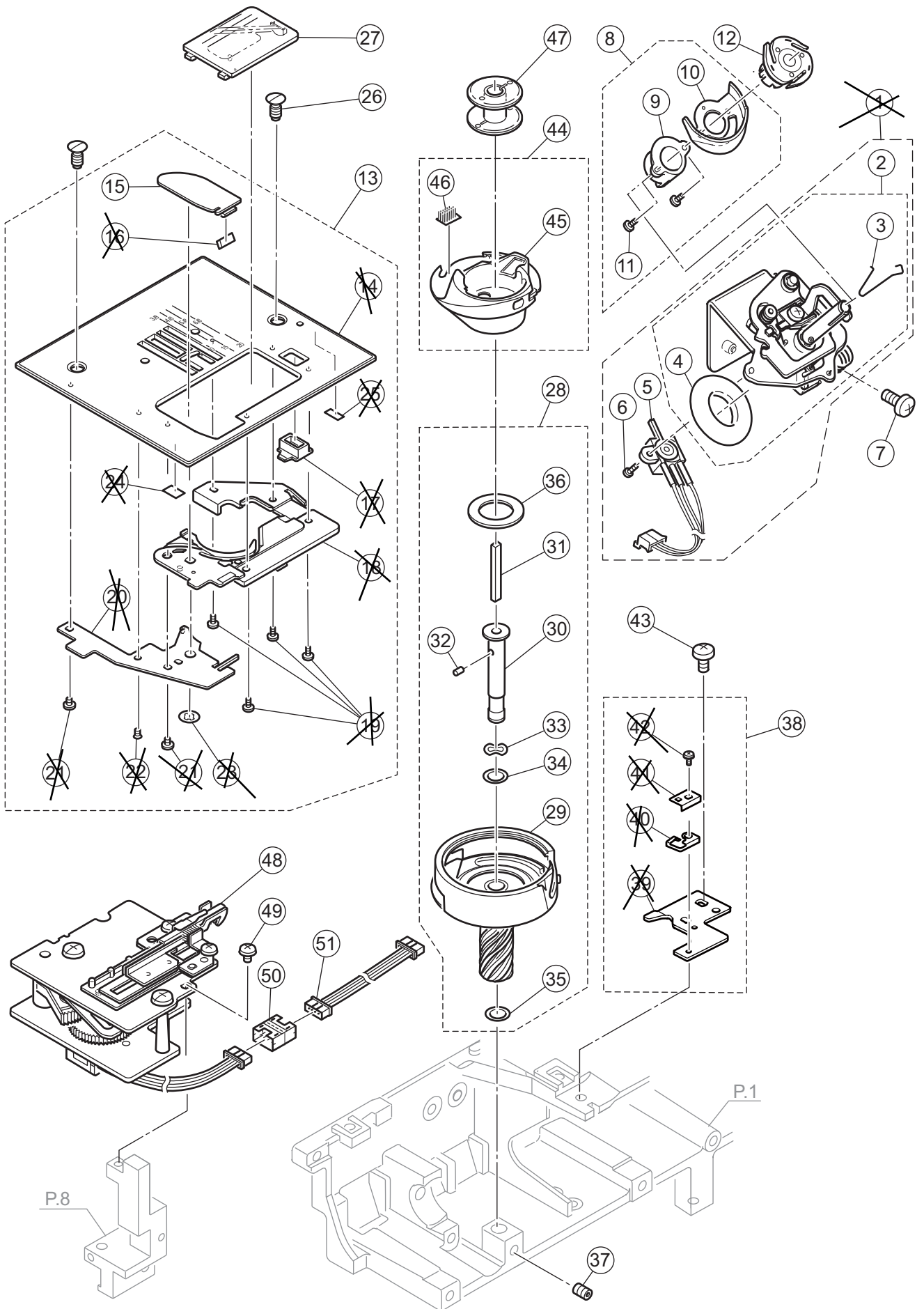




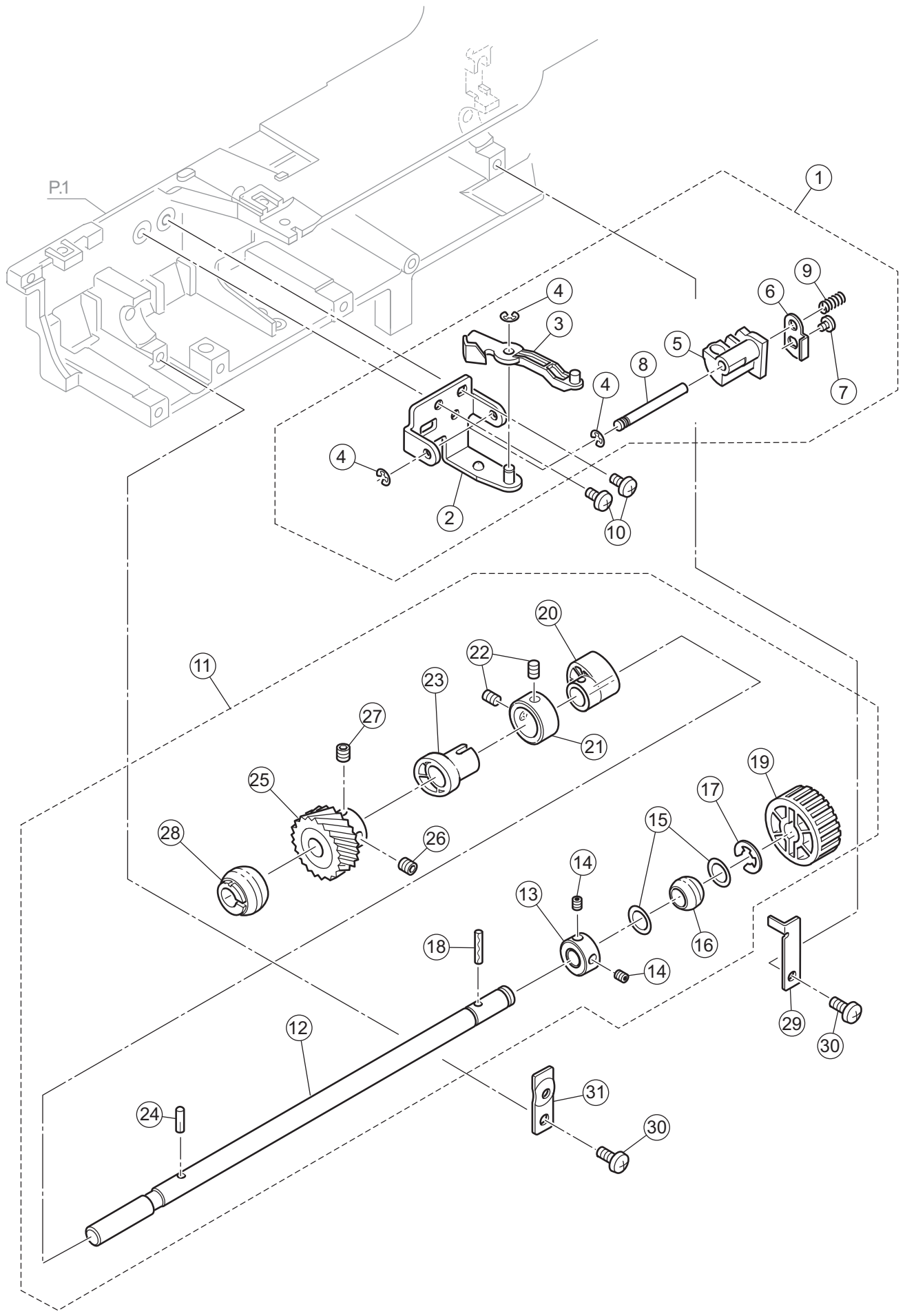
| Ref No        | Part No          | Part Name                               | Ref No | Part No | Part Name                                     |
|---------------|------------------|---|--------|---------|---|
| 1             | 33977            | Needle Bar Guide Assy.(Incl.2-40)       | 48     | 31838   | Wave Washer                                   |
| 2             | 35659-2          | Needle Bar Guide                        | 49     | 32804   | Z Link  |
| 3             | 32791            | Threader Bar                            | 50     | 07221   | Snap Ring                                     |
| 4             | 07221            | Snap Ring                               | 51     | 34055   | LED Circuit Board Set                         |
| 5             | 32995            | E-type Slot Pin                         | 52     | S33441  | Binding Head Screw M2.5*4                     |
| 6             | 33547            | Threader Holder Assy.(Incl.7-8)         | 53     | 33561   | Threader Holder                               |
| 7             | 33554            | Threader Holder                         | 54     | 33563   | Felt  |
| 8             | 33555            | Pin                                     | 55     | 31967   | Thread Cutter                                 |
| 9             | 30261-1          | Spring Pin                              | 56     | 33562   | Thread Cutter Fixing Plate                    |
| 10            | 33550            | Threader Bar Spring                     | 57     | S11167  | Binding Head Screw M3*8                       |
| 11            | 34543            | Threader Holder Spring                  | 58     | 33435   | Needle Position Limiting Plate                |
| 12            | 32557            | Threader Hook Assy.                     | 59     | 32867   | Rubber Cushion                                |
| 13            | 32793            | Needle Bar Guide Fulcrum Shaft (A)      | 60     | S33446  | Button Head Screw M3*4                        |
| 14            | S30388           | Set Screw with Flat Point M4*4          | 61     | S31582  | Cross Recessed Head Screw with Flange M3*6    |
| 15            | 32794            | Needle Bar Guide Fulcrum Shaft (B)      | 62     | S31293  | Set Screw                                     |
| 16            | 12149            | Snap Ring                               | 63     | 32805   | Presser Foot Lifter Bracket Unit (Incl.64-72) |
| <del>17</del> | <del>33772</del> | <del>Needle Bar Assy.(Incl.18-21)</del> | 64     | 32806   | Presser Foot Lifter Bracket Assy.             |
| 18            | 33659            | Needle Bar                              | 65     | 32807   | Presser Foot Lifter                           |
| 19            | 32098-2          | Needle Clamp Assy.                      | 66     | 32808   | Tension Release Connecting Plate              |
| 20            | S32100           | Needle Clamp Screw                      | 67     | 32998   | Presser Bar Guide Bracket Spring              |
| 21            | S32430           | Set Screw with Flat Point M2.5*2.5      | 68     | 12453   | Washer  |
| 22            | 90800            | Needle Bar Clamp Assy.                  | 69     | S11697  | Binding Head Screw M3*4                       |
| 23            | 34170            | Needle Bar Clamp Spring                 | 70     | 32953   | Presser Foot Switch Assy.                     |
| 24            | 33549            | Threader Bar Stopper                    | 71     | 33591   | Washer  |
| 25            | S02894           | Set Screw with Cup Point M3*3           | 72     | S32962  | Cross Recessed Head Screw M1.7*6              |
| 26            | 32964            | Z Link Shaft                            | 73     | S31293  | Set Screw                                     |
| 27            | 32801            | Z Guide Spring                          | 74     | 32809   | Presser Bar Assy.(Incl.75-77)                 |
| 28            | 33556            | Threader Holder Guide Plate Assy.       | 75     | 32810   | Presser Bar                                   |
| 29            | 30261            | Spring Pin                              | 76     | 32811   | Presser Bar Guide Bracket                     |
| 30            | 33557            | Threader Holder Stopper                 | 77     | S30805  | Set Screw with Flat Point M5*5                |
| 31            | 33558            | Threader Holder Stopper Spring          | 78     | 33036   | Presser Bar Spring                            |
| 32            | 31578            | Washer                                  | 79     | 07781   | Washer  |
| 33            | 33573            | C-type Retaining Ring                   | 80     | 32813   | Presser Bar Bush                              |
| 34            | S31584           | (+)(-)Binding Head Screw M3*5           | 81     | 32965   | Snap Ring                                     |
| 35            | 12453            | Washer                                  | 82     | S13064  | Presser Foot Thumb Screw                      |
| 36            | 33559            | Threader Holder Stopper                 | 83     | 01208   | Needle  |
| 37            | S02802           | Pan Head Screw M3*4                     | 84     | 32968   | Presser Foot Holder                           |
| 38            | 32795            | Z Cam Follower                          | 85     | 32969   | Zigzag Foot                                   |
| 39            | 32796            | Needle Position Adjusting Collar        | 86     | 32814   | Thread Take-Up Lever Assy.                    |
| 40            | 33436            | Needle Point Limiting Shaft             | 87     | S12785  | Set Screw                                     |
| 41            | 32932            | Needle Bar Clank Rod Assy.              |        |         |   |
| 42            | 32997            | Washer                                  |        |         |   |
| 43            | 32800            | Spring for Needle Bar Guide Assy.       |        |         |   |
| 44            | S32742           | Set Screw with Flat Point M4*10         |        |         |   |
| 45            | N91648           | Adjustable Lock Nut                     |        |         |   |
| 46            | 34004            | Z Link Bracket Unit (Incl.47-61)        |        |         |   |
| 47            | 32803            | Z Link Bracket Assy.                    |        |         |   |



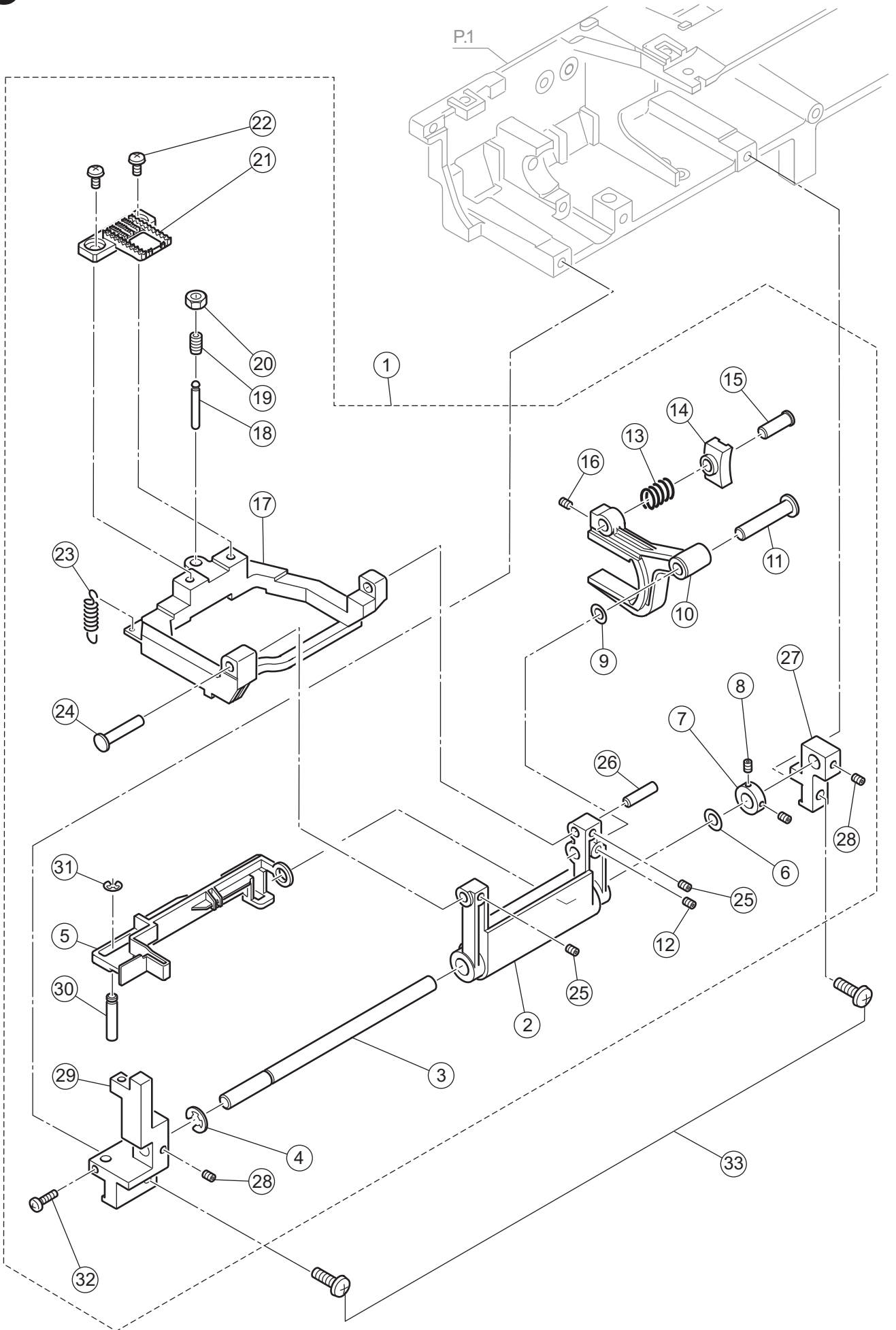
| <b>Ref No</b> | <b>Part No</b> | <b>Part Name</b>               |
|---------------|----------------|--------------------------------|
| 1             | 33665          | Upper Shaft Assy.              |
| 2             | 12005          | Polyslider                     |
| 3             | 32827          | Upper Shaft Collar             |
| 4             | S30388         | Set Screw with Flat Point M4*4 |
| 5             | S12544         | Set Screw with Cup Point M4*4  |
| 6             | 32825          | Upper Shaft Timing Pulley      |
| 7             | 34071          | Timing Belt (Upper Shaft)      |
| 8             | 33666          | Spring Pin                     |
| 9             | 32993          | Spring Pin                     |
| 10            | 32834          | STS Slit                       |
| 11            | 32829          | Clutch Change Collar           |
| 12            | 32830          | Clutch Change Spring           |
| 13            | 32832          | Belt Wheel                     |
| 14            | 30045          | Snap Ring                      |
| 15            | 33669          | Spring Pin                     |
| 16            | 32833          | Hand Wheel                     |
| 17            | 30090          | Timing Belt (Motor)            |
| 18            | 32820          | Belt Tension Assy.(Incl.19-22) |
| 19            | 32821          | Belt Tension Bracket Assy.     |
| 20            | 32822          | Tension Pulley                 |
| 21            | 04993          | Snap Ring                      |
| 22            | S02812         | Binding Head Screw M4*8        |



| Ref No        | Part No            | Part Name                                       | Ref No | Part No | Part Name               |
|---------------|--------------------|---|--------|---------|-------------------------|
| <del>1</del>  | <del>34282</del>   | <del>Bobbin Winder Unit (Incl.2-6)</del>        | 48     | 34395   | Thread Cutter Assy.     |
| 2             | 34283              | Bobbin Winder Assy.(Incl.3-4)                   | 49     | S12786  | Binding Head Screw M3*5 |
| 3             | 34195              | Bobbin Winder Shaft Spring                      | 50     | CN101-2 | Connector               |
| 4             | 01352-B            | Rubber Ring                                     | 51     | LD272   | Thread Cutter Harness   |
| 5             | 32842              | Bobbin Winder Switch Assy.                      |        |         |                         |
| 6             | S33441             | Binding Head Screw M2.5*4                       |        |         |                         |
| 7             | S31293             | Set Screw                                       |        |         |                         |
| 8             | 34201              | Thread Holding Plate Guide Assy.<br>(Incl.9-11) |        |         |                         |
| 9             | 34202              | Thread Holding Plate Guide Base                 |        |         |                         |
| 10            | 34203              | Thread Holding Plate Guide                      |        |         |                         |
| 11            | S30200             | Truss Head Screw M2*3                           |        |         |                         |
| 12            | 34205              | Bobbin Winder Thread Holding Plate<br>Assy.     |        |         |                         |
| 13            | 34393              | Needle Plate Assy.(Incl.14-25)                  |        |         |                         |
| <del>14</del> | <del>34209</del>   | <del>Needle Plate</del>                         |        |         |                         |
| 15            | 34210              | Thread Guide Plate                              |        |         |                         |
| <del>16</del> | <del>31967</del>   | <del>Thread Cutter</del>                        |        |         |                         |
| <del>17</del> | <del>31734</del>   | <del>Slide Lever</del>                          |        |         |                         |
| <del>18</del> | <del>34211-2</del> | <del>Bobbin Cover Plate Holder</del>            |        |         |                         |
| <del>19</del> | <del>S30200</del>  | <del>Truss Head Screw M2*3</del>                |        |         |                         |
| <del>20</del> | <del>34212</del>   | <del>Bobbin Holder Stabilize Plate</del>        |        |         |                         |
| <del>21</del> | <del>S32534</del>  | <del>Binding Head Screw M2*2</del>              |        |         |                         |
| <del>22</del> | <del>S34394</del>  | <del>Countersunk Head Screw M2*2.8</del>        |        |         |                         |
| <del>23</del> | <del>N31418</del>  | <del>Push Nut</del>                             |        |         |                         |
| <del>24</del> | <del>32879</del>   | <del>Rubber Sheet</del>                         |        |         |                         |
| <del>25</del> | <del>33570</del>   | <del>Rubber Sheet</del>                         |        |         |                         |
| 26            | S32743             | (-)Countersunk Head Screw M4*8.5                |        |         |                         |
| 27            | 34213              | Bobbin Cover Plate                              |        |         |                         |
| 28            | 32744              | Hook Race Unit (Incl.29-36)                     |        |         |                         |
| 29            | 30113              | Hook Race Assy.                                 |        |         |                         |
| 30            | 32848              | Hook Race Shaft                                 |        |         |                         |
| 31            | 30135              | Oil Wick (1)                                    |        |         |                         |
| 32            | 30136              | Oil Wick (2)                                    |        |         |                         |
| 33            | 30859              | Wave Washer                                     |        |         |                         |
| 34            | 10995              | Polyslider                                      |        |         |                         |
| 35            | 10995-3            | Polyslider                                      |        |         |                         |
| 36            | 30118              | Magnet  |        |         |                         |
| 37            | S90932             | Set Screw                                       |        |         |                         |
| 38            | 35147              | Bobbin Holder Stopper Assy.<br>(Incl.39-42)     |        |         |                         |
| <del>39</del> | <del>35148</del>   | <del>Bobbin Holder Stopper Bracket</del>        |        |         |                         |
| <del>40</del> | <del>35149</del>   | <del>Bobbin Holder Stopper Spring</del>         |        |         |                         |
| <del>41</del> | <del>35150</del>   | <del>Bobbin Holder Stopper Spring Cover</del>   |        |         |                         |
| <del>42</del> | <del>S30200</del>  | <del>Truss Head Screw M2*3</del>                |        |         |                         |
| 43            | S02891             | Cross Recessed Head Screw M4*6                  |        |         |                         |
| 44            | 34556-2            | Bobbin Holder Unit (Incl.45-46)                 |        |         |                         |
| 45            | 31746-2            | Bobbin Holder Assy.                             |        |         |                         |
| 46            | 34406              | Bursh   |        |         |                         |
| 47            | 30222              | Bobbin  |        |         |                         |

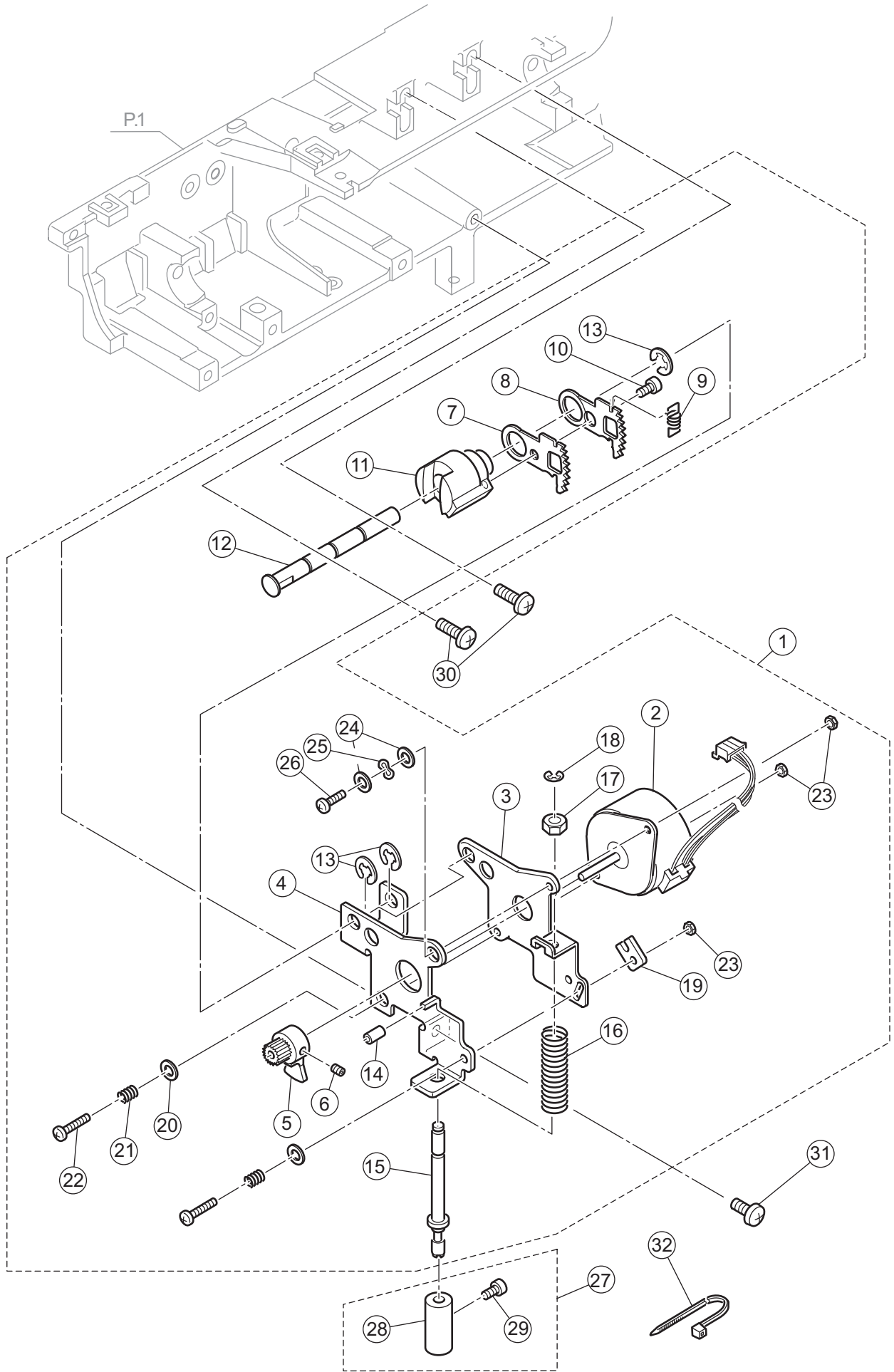


| <b>Ref No</b> | <b>Part No</b> | <b>Part Name</b>                              |
|---------------|----------------|---|
| 1             | 33824          | Feed Rocking Cam Follower Assy.<br>(Incl.2-9) |
| 2             | 33825          | Feed Rocking Cam Follower Bracket<br>Assy.    |
| 3             | 33810          | Drop Feed Arm                                 |
| 4             | 07221          | Snap Ring                                     |
| 5             | 33696          | Feed Rocking Cam Follower                     |
| 6             | 33697          | Feed Rocking Cam Follower Plate               |
| 7             | S61043         | PT Binding Screw M3*5                         |
| 8             | 33698          | Feed Rocking Cam Follower Shaft               |
| 9             | 33699          | Feed Rocking Cam Follower Spring              |
| 10            | S2890          | Binding Head Screw M4*6                       |
| 11            | 33682          | Lower Shaft Assy.(Incl.12-28)                 |
| 12            | 33683          | Lower Shaft                                   |
| 13            | 30178          | Collar  |
| 14            | S12544         | Set Screw with Cup Point M4*4                 |
| 15            | 60254          | Polyslider                                    |
| 16            | 30177          | Ball Bush                                     |
| 17            | 60204          | Snap Ring                                     |
| 18            | 32861          | Spring Pin                                    |
| 19            | 32860          | Lower Shaft Timing Pulley                     |
| 20            | 30184          | Feed Cam                                      |
| 21            | 30183          | Feed Cam Collar                               |
| 22            | S90932         | Set Screw                                     |
| 23            | 33684          | Feed Rocking Cam                              |
| 24            | 33858          | Slot Spring Pin                               |
| 25            | 33686          | Lower Shaft Gear                              |
| 26            | S30805         | Set Screw with Flat Point M5*5                |
| 27            | S60466         | Set Screw with Cup Point M5*5                 |
| 28            | 32854          | Lower Shaft Ball Bushing (Left)               |
| 29            | 32408          | Ball Bushing Holder                           |
| 30            | S31293         | Set Screw                                     |
| 31            | 32862          | Ball Bushing Holder (Left)                    |

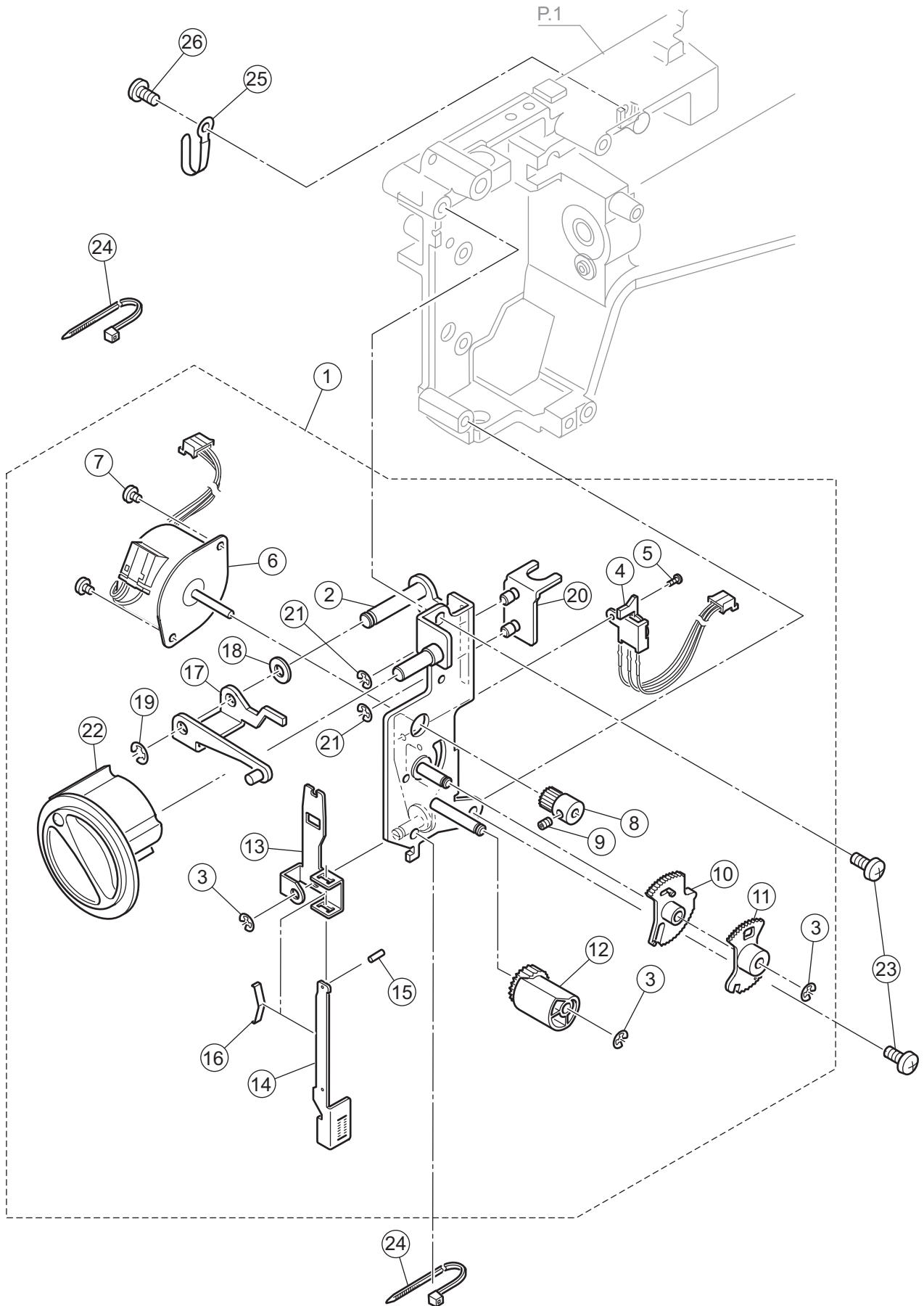




| <b>Ref No</b> | <b>Part No</b> | <b>Part Name</b>                 |
|---------------|----------------|----------------------------------|
| 1             | 34425          | Feed Shaft Assy.(Incl.2-32)      |
| 2             | 32864-2        | Feed Shaft Guide                 |
| 3             | 32865          | Feed Shaft                       |
| 4             | 07492          | Snap Ring                        |
| 5             | 33811          | Drop Feed Lever                  |
| 6             | 10995-2        | Polyslider                       |
| 7             | 33168          | Feed Shaft Coller                |
| 8             | S30842         | Set Screw with Flat Point M3*4   |
| 9             | 33127          | Polyslider                       |
| 10            | 32880          | Forked Cam Follower              |
| 11            | 30170          | Forked Cam Follower Pin          |
| 12            | S30842         | Set Screw with Flat Point M3*4   |
| 13            | 32883          | Feed Slide Block Spring          |
| 14            | 32882          | Feed Slide Block                 |
| 15            | 32881          | Slide Block Shaft                |
| 16            | S30842         | Set Screw with Flat Point M3*4   |
| 17            | 33688          | Feed Base                        |
| 18            | 33691          | Feed Rocking Connecting Rod      |
| 19            | 33689          | Set Screw                        |
| 20            | N33690         | Adjustable Nut                   |
| 21            | 33185          | Feed Dog                         |
| 22            | S02868         | Set Screw                        |
| 23            | 32873          | Feed Rocking Cam Follower Spring |
| 24            | 33193          | Feed Base Fulcrum Shaft (Left)   |
| 25            | S30842         | Set Screw with Flat Point M3*4   |
| 26            | 33192          | Feed Base Fulcrum Shaft (Right)  |
| 27            | 32877          | Feed Shaft Follower (Right)      |
| 28            | S30842         | Set Screw with Flat Point M3*4   |
| 29            | 32878-3        | Feed Shaft Follower (Left)       |
| 30            | 32885          | Drop Feed Fulcrum Shaft          |
| 31            | 07221          | Snap Ring                        |
| 32            | S02910         | Set Screw                        |
| 33            | S12785         | Set Screw                        |

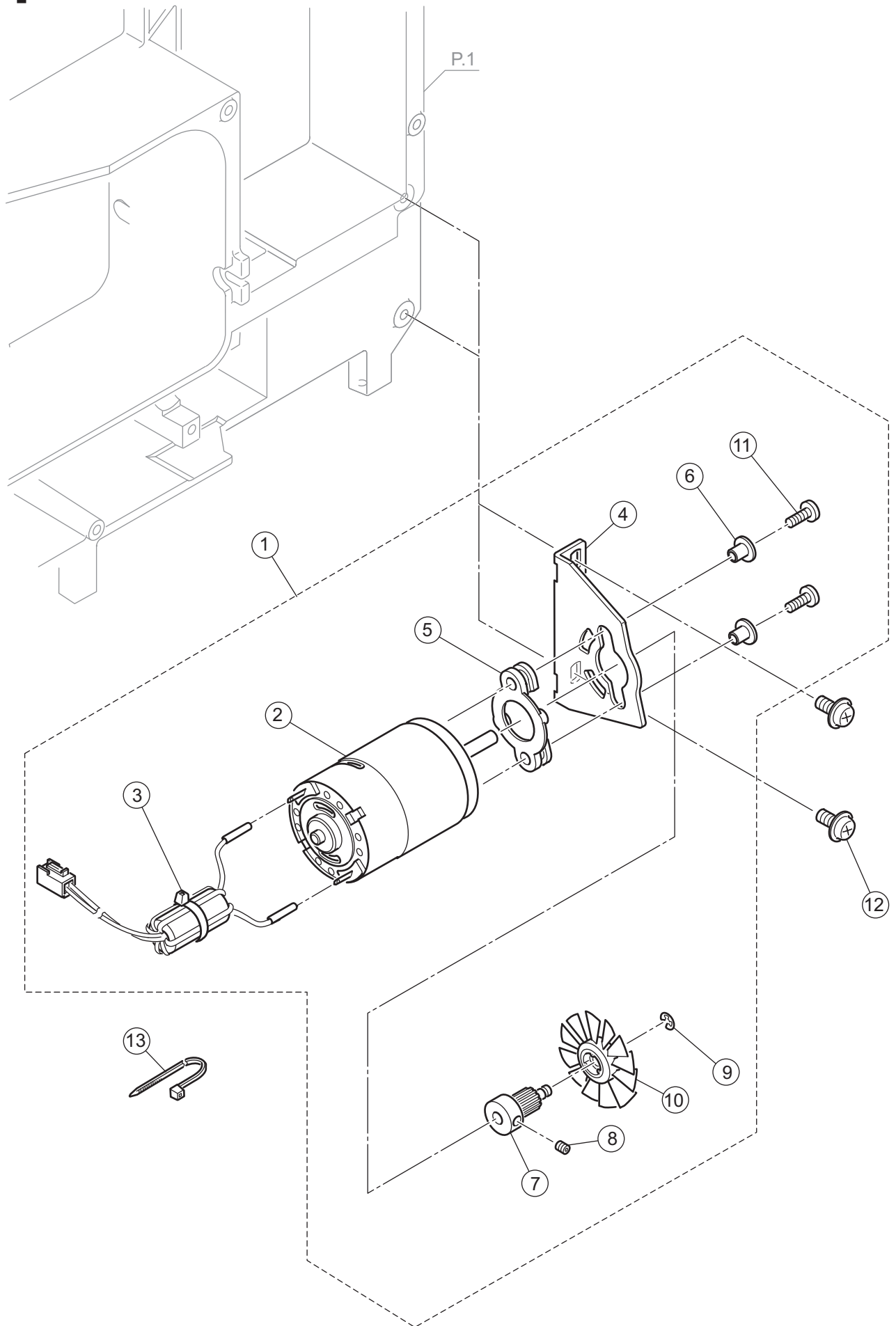


| <b>Ref No</b> | <b>Part No</b> | <b>Part Name</b>                        |
|---------------|----------------|---|
| 1             | 33330          | F Pulse Motor Assy. (Incl.2-26)         |
| 2             | 32894          | F Pulse Motor                           |
| 3             | 32901          | Adjusting Plate                         |
| 4             | 32895          | F Pulse Motor Bracket                   |
| 5             | 32896          | F Pulse Motor Gear                      |
| 6             | S30842         | Set Screw with Flat Point M3*4          |
| 7             | 33190          | Feed Regulator Gear (A)                 |
| 8             | 33191          | Feed Regulator Gear (B)                 |
| 9             | 33187          | Feed Regulator Gear Spring              |
| 10            | S60800         | Set Screw                               |
| 11            | 32899          | Feed Regulator                          |
| 12            | 32900          | Feed Regulator Shaft                    |
| 13            | 07492          | Snap Ring                               |
| 14            | 32867          | Rubber Cushion                          |
| 15            | 33319          | Forward-Reverse Adjustment Shaft        |
| 16            | 32903          | Adjusting Spring                        |
| 17            | N12436         | Nut                                     |
| 18            | 07221          | Snap Ring                               |
| 19            | 32904          | Nut                                     |
| 20            | 12453          | Washer                                  |
| 21            | 33322          | F Pulse Motor Bracket Spring            |
| 22            | S11431         | Pan Head Screw M3*14                    |
| 23            | N13189         | Nut                                     |
| 24            | 12453          | Washer                                  |
| 25            | 12487          | Wave Washer                             |
| 26            | S11984         | Binding Head Screw M3*10                |
| 27            | 33455          | Fine Adjustment Shaft Assy.(Incl.28-29) |
| 28            | 33320          | Fine Adjustment Shaft                   |
| 29            | S60800         | Set Screw                               |
| 30            | S10706         | Binding Head Screw M4*14                |
| 31            | S31293         | Set Screw                               |
| 32            | 11380          | Cord Band                               |

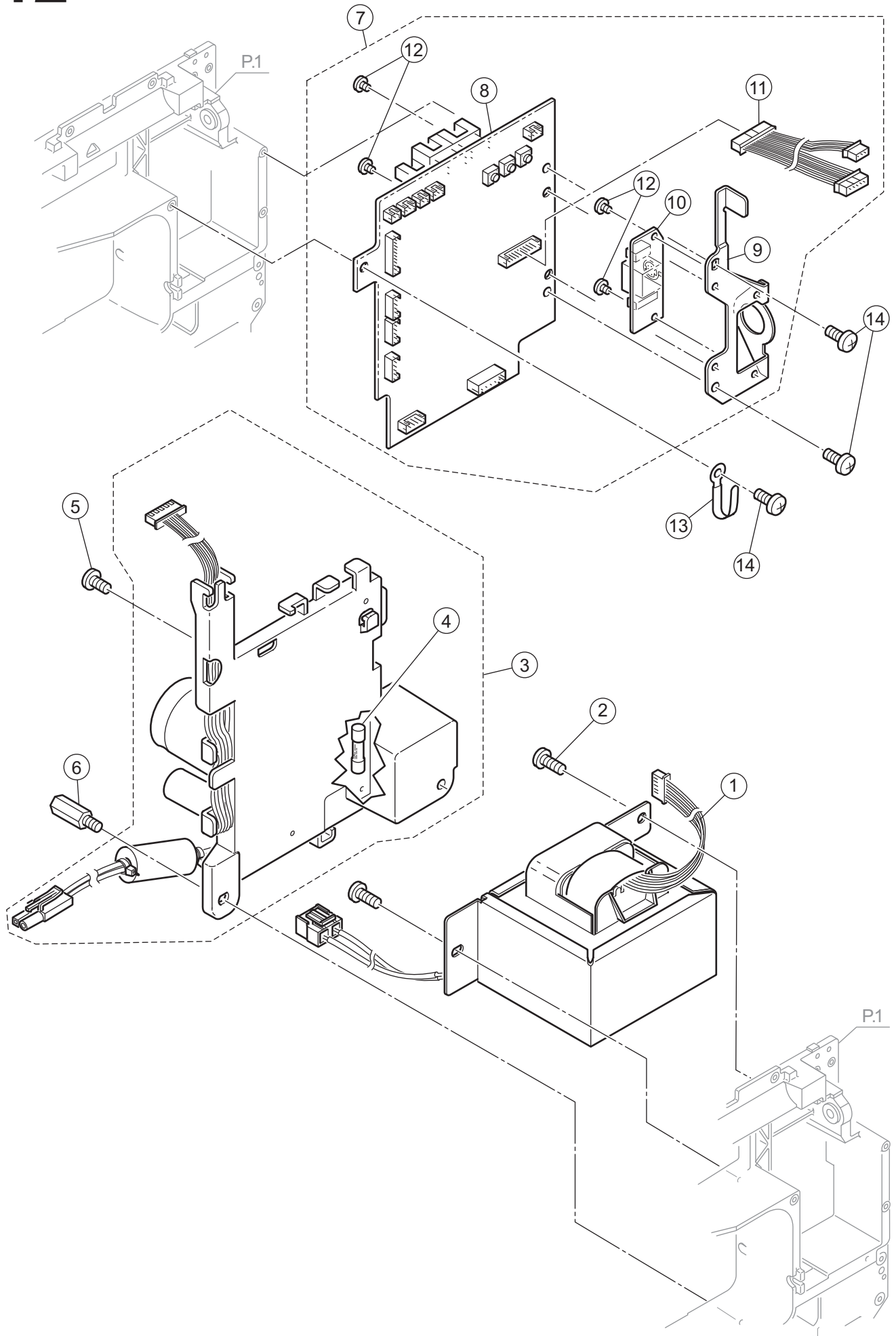


| <b>Ref No</b> | <b>Part No</b> | <b>Part Name</b>                      |
|---------------|----------------|---------------------------------------|
| 1             | 34683          | Z Pulse Motor Assy.(Incl.2-22)        |
| 2             | 34684          | Z Pulse Motor Bracket Assy.           |
| 3             | 07221          | Snap Ring                             |
| 4             | 32910          | BH Switch Assy.                       |
| 5             | S33441         | Binding Head Screw M2.5*4             |
| 6             | 32958          | Z Pulse Motor                         |
| 7             | S30695         | Binding Head Screw M3*3               |
| 8             | 32911          | Z Pulse Motor Gear                    |
| 9             | S30842         | Set Screw with Flat Point M3*4        |
| 10            | 32912          | Center Gear (A)                       |
| 11            | 32913          | Center Gear (B)                       |
| 12            | 32915          | Z Cam                                 |
| 13            | 32916          | BH Plate                              |
| 14            | 32917          | BH Lever                              |
| 15            | 33213          | Spring pin                            |
| 16            | 32918          | BH Lever Spring                       |
| 17            | 34685          | Pressure Regulator Cam Follower Assy. |
| 18            | 06277-1        | Washer                                |
| 19            | 04993          | Snap Ring                             |
| 20            | 32908          | Pressure Regulator Plate Assy.        |
| 21            | 07221          | Snap Ring                             |
| 22            | 32909          | Pressure Ragulator Dial               |
| 23            | S31293         | Set Screw                             |
| 24            | 11380          | Cord Band                             |
| 25            | 32955          | Coating Grip                          |
| 26            | S31293         | Set Screw                             |

# 11 N7000



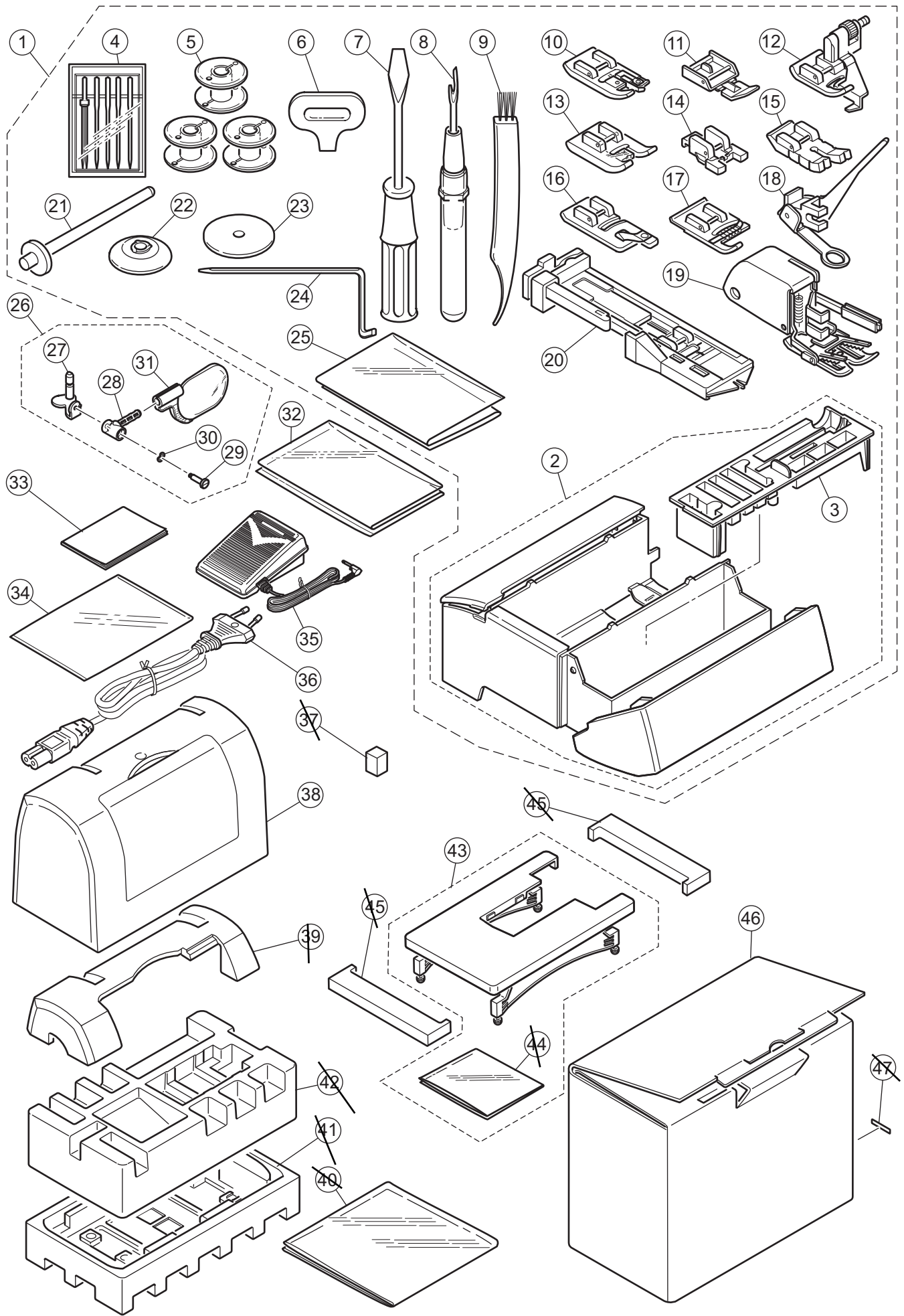
| <b>Ref No</b> | <b>Part No</b> | <b>Part Name</b>              |
|---------------|----------------|-------------------------------|
| 1             | 32919          | Motor Assy.(Incl.2-11)        |
| 2             | 32920          | Motor                         |
| 3             | 33136          | DC Motor Harness Assy.        |
| 4             | 32921          | Motor Bracket                 |
| 5             | 32922          | Rubber Cushion                |
| 6             | 32923          | Motor Collar                  |
| 7             | 32924          | Motor Pulley                  |
| 8             | S12544         | Set Screw with Cup Point M4*4 |
| 9             | 07221          | Snap Ring                     |
| 10            | 32925          | Motor Fan                     |
| 11            | S02810         | Binding Head Screw M4*10      |
| 12            | S02903         | Cap Screw M5*10               |
| 13            | 11380          | Cord Band                     |





| <b>Ref No</b> | <b>Part No</b> | <b>Part Name</b>            |
|---------------|----------------|-----------------------------|
| 1             | 33829          | Transformers                |
| 2             | S31842         | ST Binding Screw M4*10      |
| 3             | 34823          | Power Circuit Unit (Incl.4) |
| 4             | FU025          | Fuse                        |
| 5             | S02812         | Binding Head Screw M4*8     |
| 6             | 31719          | Stud                        |
| 7             | 36067          | CPU Board Unit (Incl.8-12)  |
| 8             | 36071          | CPU Board Assy.             |
| 9             | 34409          | MD Connector Bracket        |
| 10            | 34382          | MD Connector Board Assy.    |
| 11            | LD273          | MD Connector Harness        |
| 12            | S11697         | Binding Head Screw M3*4     |
| 13            | 32955          | Coating Grip                |
| 14            | S02812         | Binding Head Screw M4*8     |

# 13<sup>N7000</sup>



| <b>Ref No</b> | <b>Part No</b>     | <b>Part Name</b>                    |
|---------------|--------------------|-------------------------------------|
| 1             | 34787-3            | Extension Table Unit (Incl.2-25)    |
| 2             | 34644-2            | Extension Table Assy.(Incl.3)       |
| 3             | 34648              | Accessory Tray                      |
| 4             | 33814              | Needle Set                          |
| 5             | 30222              | Bobbin                              |
| 6             | 31089              | Screw Driver for Needle Plate       |
| 7             | 02000-T            | Screw Driver                        |
| 8             | 02024              | Stitch Ripper                       |
| 9             | 90903              | Brush                               |
| 10            | 30244-2            | Overcasting Foot                    |
| 11            | 90867-2            | Zipper Foot                         |
| 12            | 30218-2            | Blind Foot                          |
| 13            | 34445              | Satin Foot Assy.                    |
| 14            | 12928              | Button Foot                         |
| 15            | 31461              | Straight Stitch/Patch Quilting Foot |
| 16            | 30685              | Narrow Hemming Foot                 |
| 17            | 30686-2            | Cording Foot                        |
| 18            | 04195              | Darning Embroidery Foot             |
| 19            | 31099-3            | Even Feed Foot                      |
| 20            | 33592              | BH Foot                             |
| 21            | 30209              | Extra Spool Stand                   |
| 22            | 33109              | Small Thread Cap                    |
| 23            | 01407              | Felt                                |
| 24            | 11117              | Edge Guide                          |
| 25            | 34949              | Vinyl Bag                           |
| 26            | 34716              | Loupe Assy.(Incl. 27-31)            |
| 27            | 34717              | Loupe Bracket Assy.                 |
| 28            | 34718              | Loupe Middle Shaft                  |
| 29            | S34848             | Loupe Middle Shaft Screw            |
| 30            | 32044-T            | Wave Washer                         |
| 31            | 34719              | Loupe                               |
| 32            | 34949              | Vinyl Bag                           |
| 33            | 36709              | Instruction Manual                  |
| 34            | 33156              | Vinyl Bag                           |
| 35            | 31098-2            | Controller                          |
| 36            | 33981              | Power Cord                          |
| <del>37</del> | <del>33427</del>   | <del>Styroform</del>                |
| 38            | 33393-3-B          | Dust Cover Assy.                    |
| <del>39</del> | <del>34092</del>   | <del>Styroform</del>                |
| <del>40</del> | <del>35996</del>   | <del>Vinyl Bag</del>                |
| <del>41</del> | <del>33414-2</del> | <del>Styroform</del>                |
| <del>42</del> | <del>33414-1</del> | <del>Styroform</del>                |
| 43            | 33502-3-B          | Wide Table Assy.(Incl. 44)          |
| <del>44</del> | <del>33181</del>   | <del>Vinyl Bag</del>                |
| <del>45</del> | <del>34073</del>   | <del>Styroform</del>                |
| 46            | 36710              | Carton Box                          |
| <del>47</del> | <del>33979</del>   | <del>Carton Sticker</del>           |