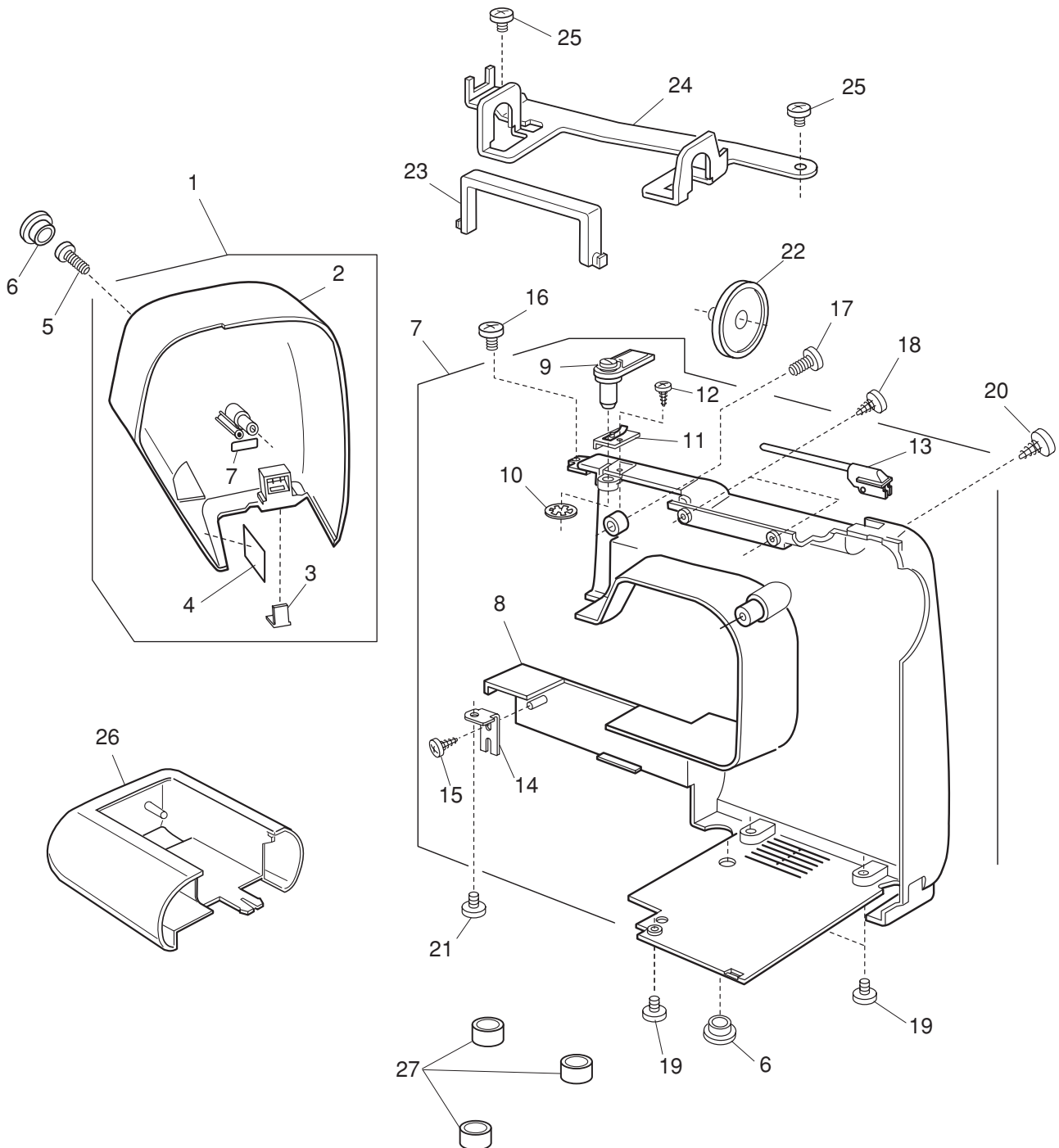


PARTSLIST

MODEL: NECCHI 600

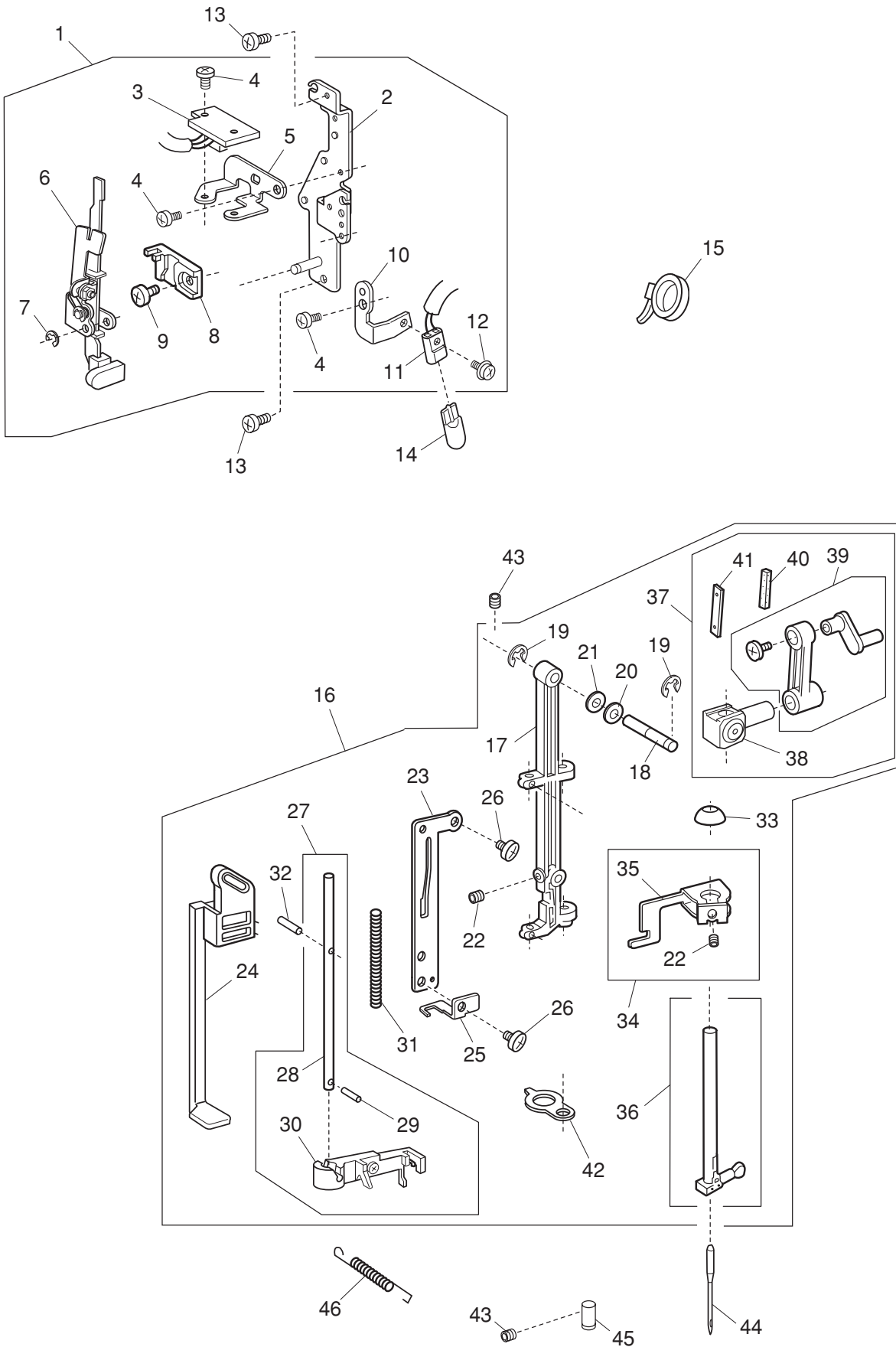
PARTS LIST



PARTS LIST

KEY NO.	PARTS NO.	DESCRIPTION
1	843603165	Face plate (unit)
2	843006302	Face plate
3	840602006	Thread cutter (unit)
4	827099003	Face plate sticker
5	000101817	Setscrew 4 x 16
6	653006101	Cap
7	843602153	Rear cover (unit)
8	843002205	Rear cover
9	650503702	Thread guide (unit)
10	000014409	Snap ring CS-8
11	827503005	Top cover thread guide (unit)
12	000162001	Setscrew 2.6 x 5
13	659067005	Spool pin
14	827006003	Rear cover fixing plate
15	000120203	Setscrew 3 x 8
16	810220003	Setscrew
17	000104119	Setscrew 4 x 20
18	000161309	Setscrew 3 x 12
19	000103509	Setscrew 4 x 10
20	000119601	Setscrew 4 x 25
21	000081119	Setscrew 4 x 6
22	822020503	Spool cap (large)
23	751100000	Carrying handle
24	843005002	Carrying handle base plate
25	000081005	Setscrew 4 x 8
26	843003103	Extension table
27	647009002	Bed rubber foot
28	100411207	Lamp sticker

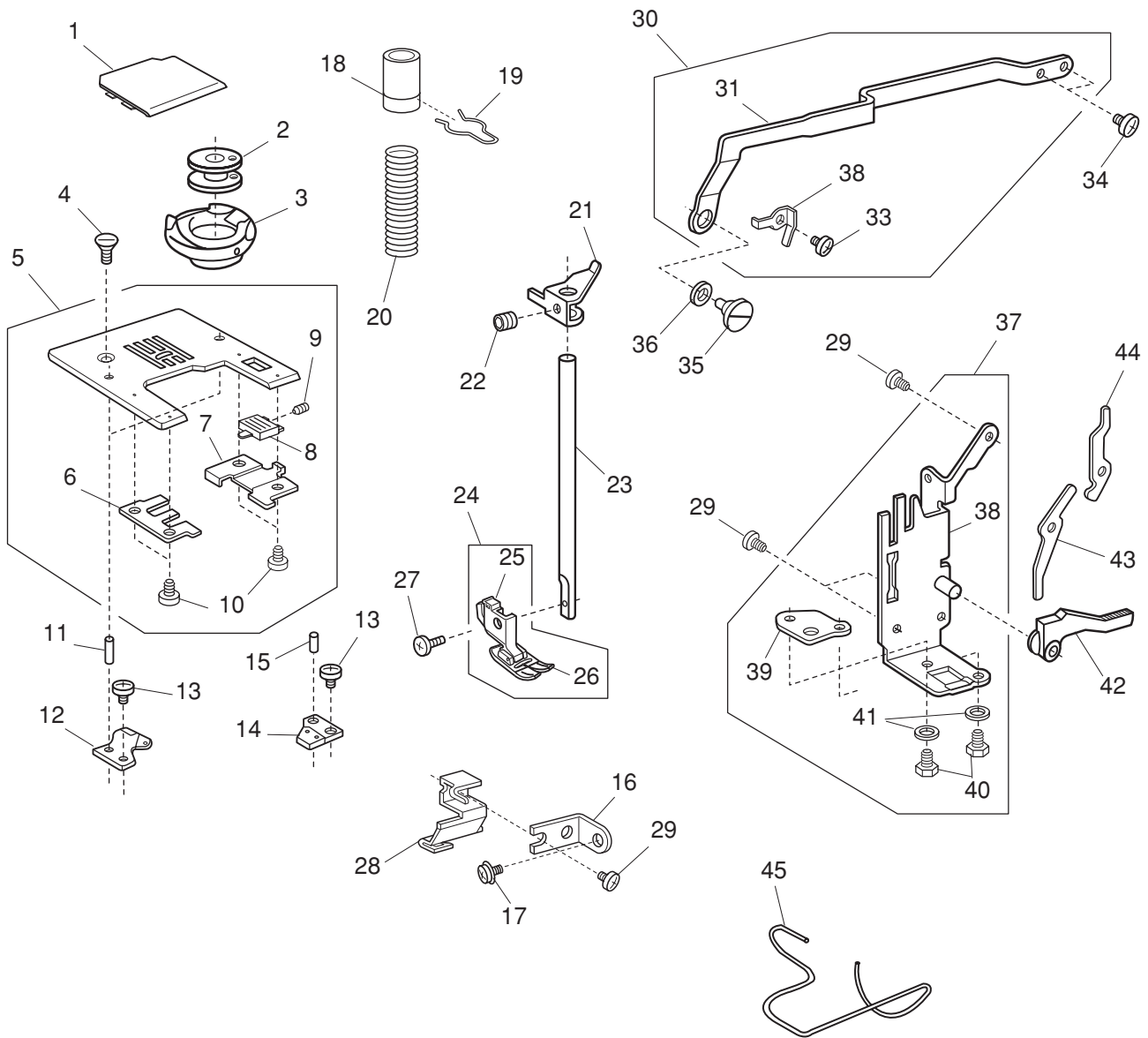
PARTS LIST



PARTS LIST

KEY NO.	PARTS NO.	DESCRIPTION
1	843604007	Front base plate (unit)
2	843008005	Front base plate
3	843502004	Printed circuit board E-1 (unit)
4	000101105	Setscrew 3x4
5	843009006	BH lever supporter plate
6	843625004	BH lever (unit)
7	000002105	Snap ring E-3
8	830057021	BH lever guide
9	000103808	Setscrew 3x5
10	843007004	Lamp set plate
11	843508000	Lamp socket (unit)
12	000115308	Setscrew TP 2x8
13	000081005	Setscrew 4x8
14	000026002	Wedge base lamp 12V 5W
15	000053101	Cord bind
16	840647003	Needle bar supporter (unit)
17	827026010	Needle bar supporter
18	730022002	Needle bar supporter pin
19	000002507	Snap ring E-4
20	000070609	Washer
21	673022002	Washer
22	000111902	Hexagonal socket screw 3x4
23	840033000	Thread guide plate
24	840034001	Needle threader lever
25	840037004	Needle threader lever set plate
26	000078319	Setscrew 3x6
27	840646002	Needle threader bar (unit)
28	840036003	Needle threader bar
29	000003508	Spring pin 2x8
30	755643002	Threader plate (unit)
31	840035002	Needle threader spring
32	000125105	Pin E-2 X6-CH
33	827098013	Washer
34	807607008	Threader position set plate (unit)
35	807018006	Threader position set plate
36	653503103	Needle bar (unit)
37	843652000	Needle bar connecting stud (unit)
38	639516002	Needle bar connecting stud (unit)
39	843543007	Needle bar crank pin (unit)
40	650040005	Felt
41	650041006	Felt holder spring
42	829027006	Supporter guide plate
43	000111201	Hexagonal socket screw 4x4
44	102408089	Needle HA1-14
45	827083004	Supporter guide plate pin
46	827092006	Supporter spring

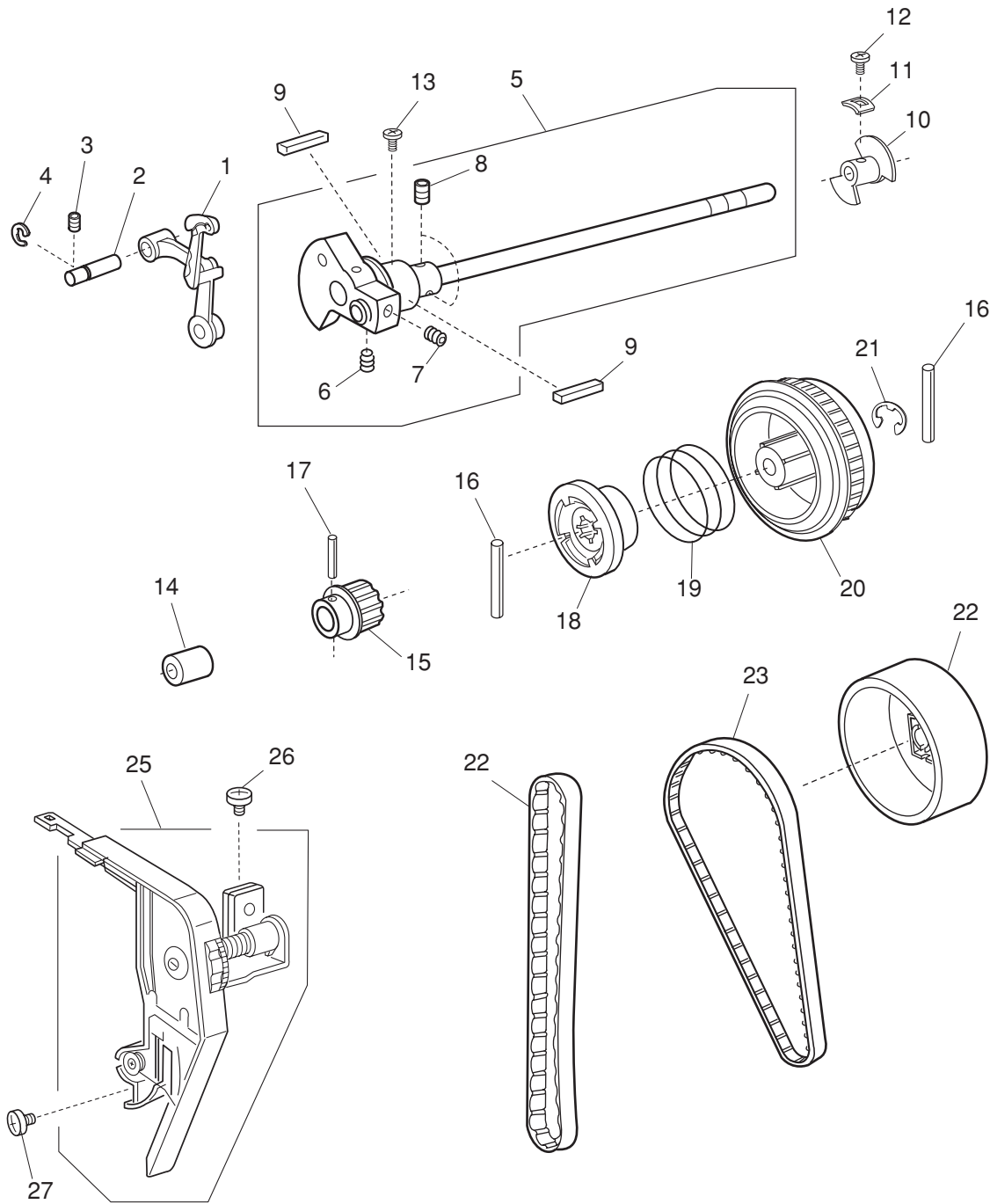
PARTS LIST



PARTS LIST

KEY NO.	PARTS NO.	DESCRIPTION
1	750036012	Hook cover plate
2	102261000	Bobbin
3	627569106	Bobbin holder (unit)
4	681009101	Needle plate set screw
5	756604107	Needle plate (unit)
6	752005007	Hook cover plate holder (left)
7	825015010	Hook cover plate holder (right)
8	825016000	Hook cover plate holder release button
9	825017001	Hook cover plate holder spring
10	820374004	Setscrew 2 x 2.3
11	000122504	Pin D3 x 10CH
12	827011001	Bobbin holder stopper
13	810220003	Setscrew
14	627567001	Bobbin holder stopper (unit)
15	000122700	Pin D2.5 x 6-LC
16	827037003	Front panel set plate
17	000115205	Setscrew 4 x 6
18	802021007	Bushing
19	802022008	Snap retainer
20	730026006	Presser bar spring
21	735028003	Presser bar supporter
22	000111500	Hexagonal socket screw 4 x 8
23	827021004	Presser bar
24	660509008	Presser foot (unit)
25	660806008	Presser foot holder (unit)
26	832523007	Zigzag foot (unit)
27	660106001	Setscrew
28	827036002	Arm thread guide
29	000081005	Setscrew 4 x 8
30	827622012	Zigzag rod (unit)
31	827055018	Zigzag rod
32	827088009	Zigzag rod spring
33	820373003	Setscrew 2 x 3
34	000078319	Setscrew 3 x 6
35	678084007	Eccentric pin
36	653037008	Washer
37	827608403	Presser base plate (unit)
38	827020047	Presser base plate
39	827082003	Foot regulating plate
40	000066303	Hexagonal bolt 4 x 6
41	000070908	Washer 4
42	735029004	Presser foot lifter
43	827022005	Tension release lever (1)
44	827023006	Tension release lever (2)
45	687803101	Finger guard

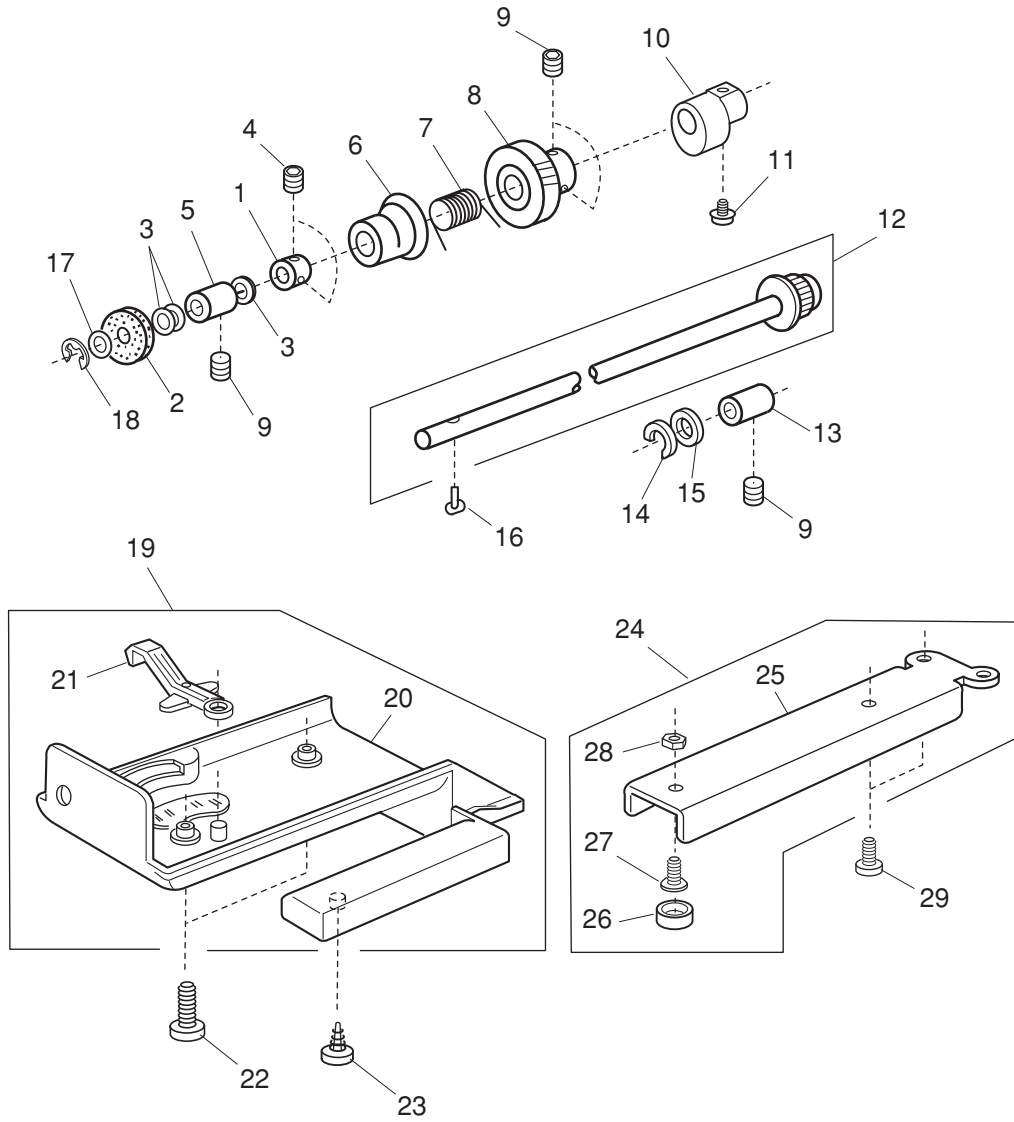
PARTS LIST



PARTS LIST

KEY NO.	PARTS NO.	DESCRIPTION
1	820511108	Thread take-up lever
2	650062003	Thread take-up lever pin
3	000111201	Hexagonal socket screw 4 x 4
4	000002806	Snap ring E-6
5	843643101	Upper shaft (unit)
6	000111706	Hexagonal socket screw 5 x 8
7	000110901	Hexagonal socket screw 5 x 4
8	000111304	Hexagonal socket screw 5 x 5
9	731384008	Felt
10	830095010	Upper shaft shielding plate
11	820102009	Washer
12	000081005	Setscrew 4 x 8
13	000172602	Setscrew 5 x 8
14	673062004	Upper shaft bushing
15	756017004	Upper shaft gear
16	000020501	Spring pin 3 x 22
17	000024206	Spring pin 3 x 30
18	502064003	Clutch ring
19	502065004	Clutch spring
20	844050016	Belt wheel
21	000030205	Snap ring E-8
22	502068007	Handwheel
23	650071005	Timing belt
24	653139012	Timing belt
25	843534201	Thread tension (unit)
26	000101404	Setscrew 4 x 6
27	000101703	Setscrew 4 x 12

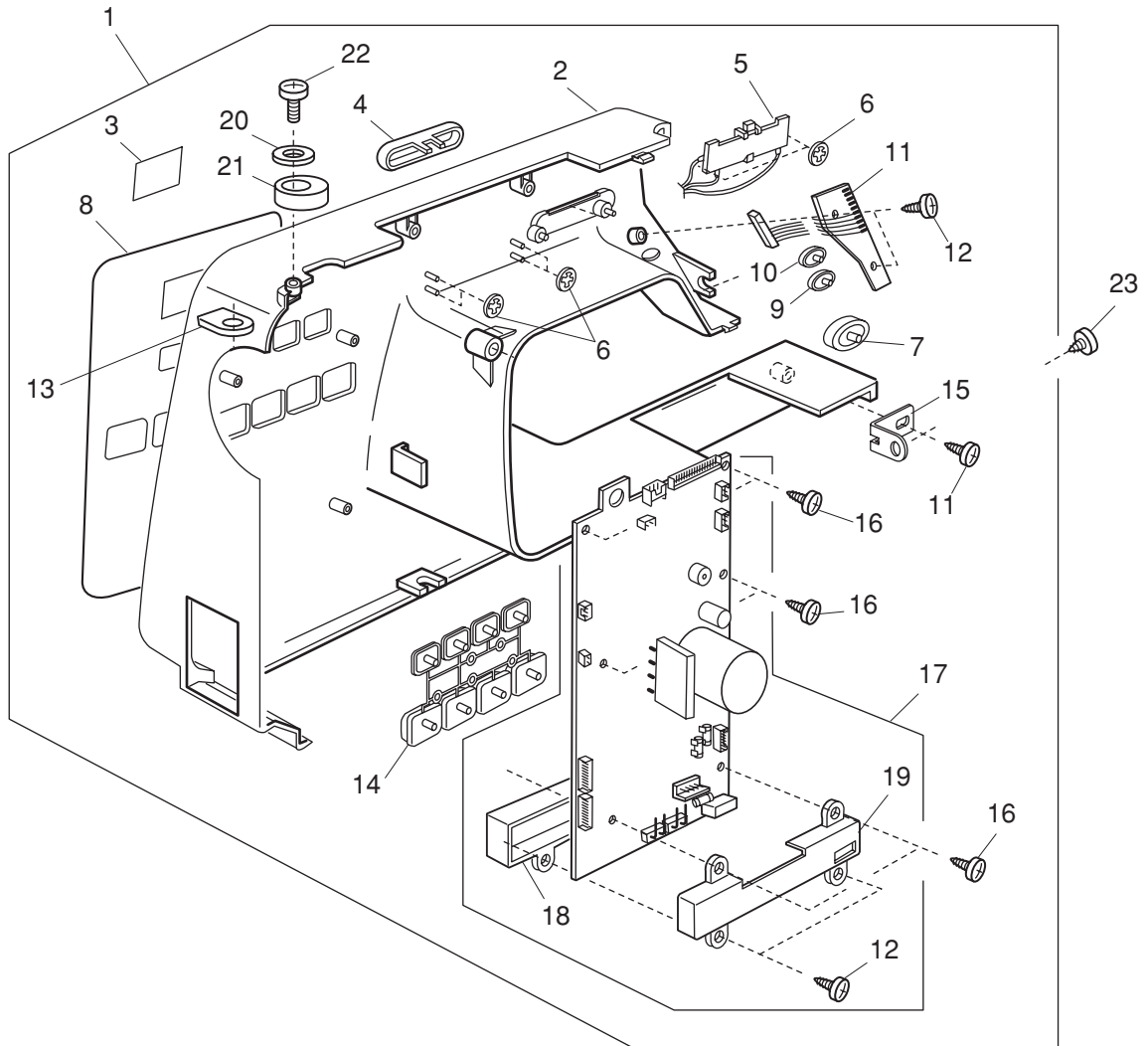
PARTS LIST



PARTS LIST

KEY NO.	PARTS NO.	DESCRIPTION
1	820166001	Lower shaft ring
2	735143005	Felt
3	000038502	Washer
4	000111201	Hexagonal socket screw 4 x 4
5	650078002	Lower shaft bushing (front)
6	753183025	Feed lifting cam
7	686035008	Feed lifting cam spring
8	650955002	Lower shaft gear
9	000111304	Hexagonal socket screw 5 x 5
10	751148000	Feed cam
11	000115009	Setscrew 3 x 8
12	751612206	Lower shaft (unit)
13	650079003	Lower shaft bushing (rear)
14	822112008	Felt holder (1)
15	822070003	Felt (1)
16	820161006	Feed lifting pin
17	858177002	Washer
18	000002806	Snap ring E-6
19	843601004	Bed cover (unit)
20	843001008	Bed cover
21	753005000	Drop lever
22	000101703	Setscrew 4 x 12
23	000120203	Setscrew 3 x 8 B
24	827601107	Arm leg (unit)
25	827002102	Arm leg
26	735002001	Rubber base
27	000097901	Setscrew 5 x 18
28	000061412	Nut
29	000066808	Setscrew 6 x 14

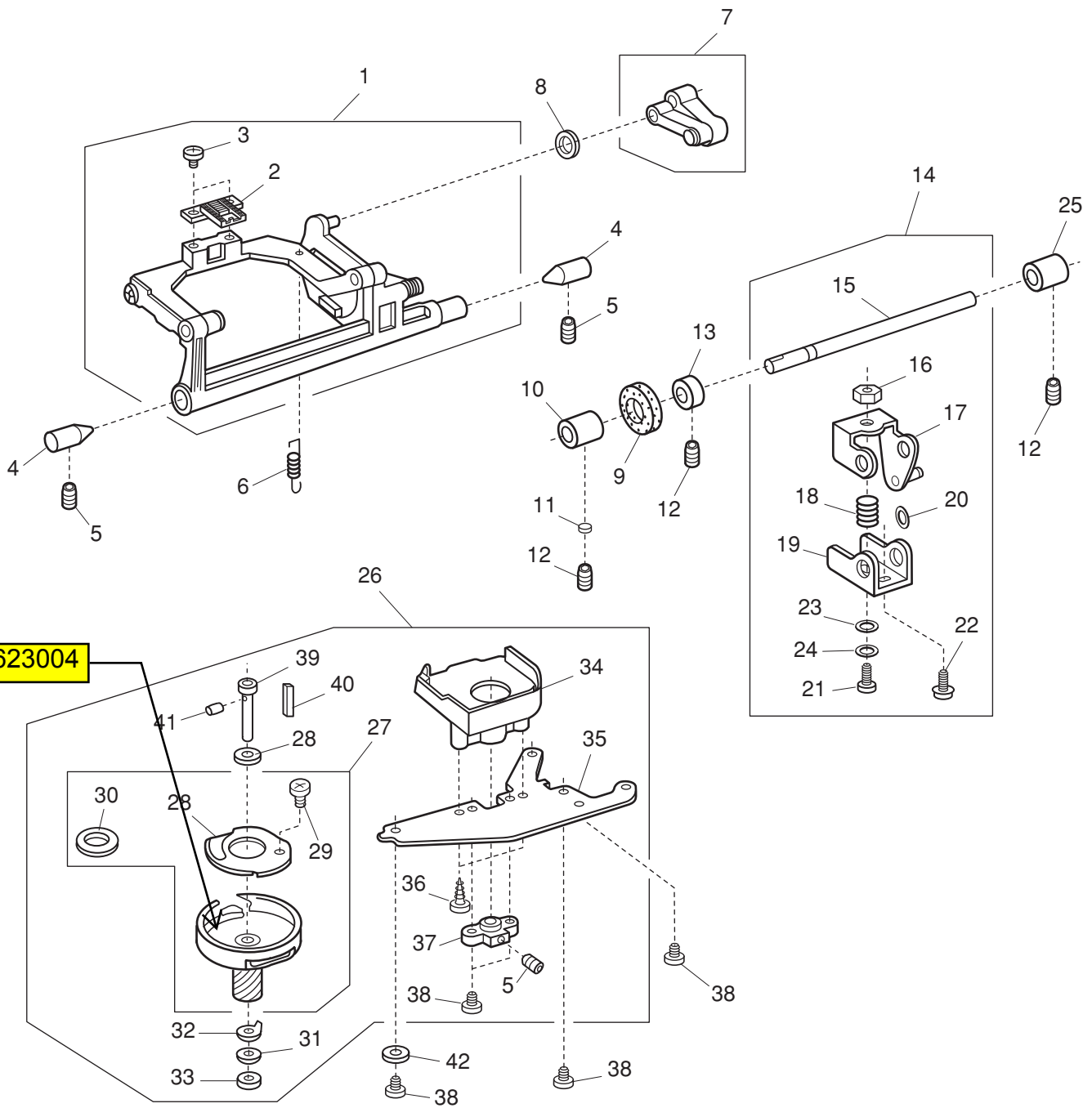
PARTS LIST



PARTS LIST

KEY NO.	PARTS NO.	DESCRIPTION
1	843630242	Front cover (unit)
2	843073300	Front cover
3	843084005	Indicator window
4	843024007	Slide volume lever
5	653507082	Slide volume (unit)
6	000014306	Snap ring CS-3
7	843025307	Start/Stop button
8	843167003	Switch sheet
9	843026283	Button (1)
10	843026238	Button (1)
11	843529100	Printed circuit board F (unit)
12	000120203	Setscrew 3 x 8
13	843014004	Nut
14	843074024	Button
15	827069004	Front cover set panel (lower)
16	000161206	Setscrew 3 x 10 B
17	843401035	Printed board A (unit)
18	843020106	Board A case cover
19	843021107	Board A case
20	000071013	Washer
21	735016307	Bobbin winder stopper
22	000103107	Setscrew 4 x 14
23	000101404	Setscrew 4 x 6

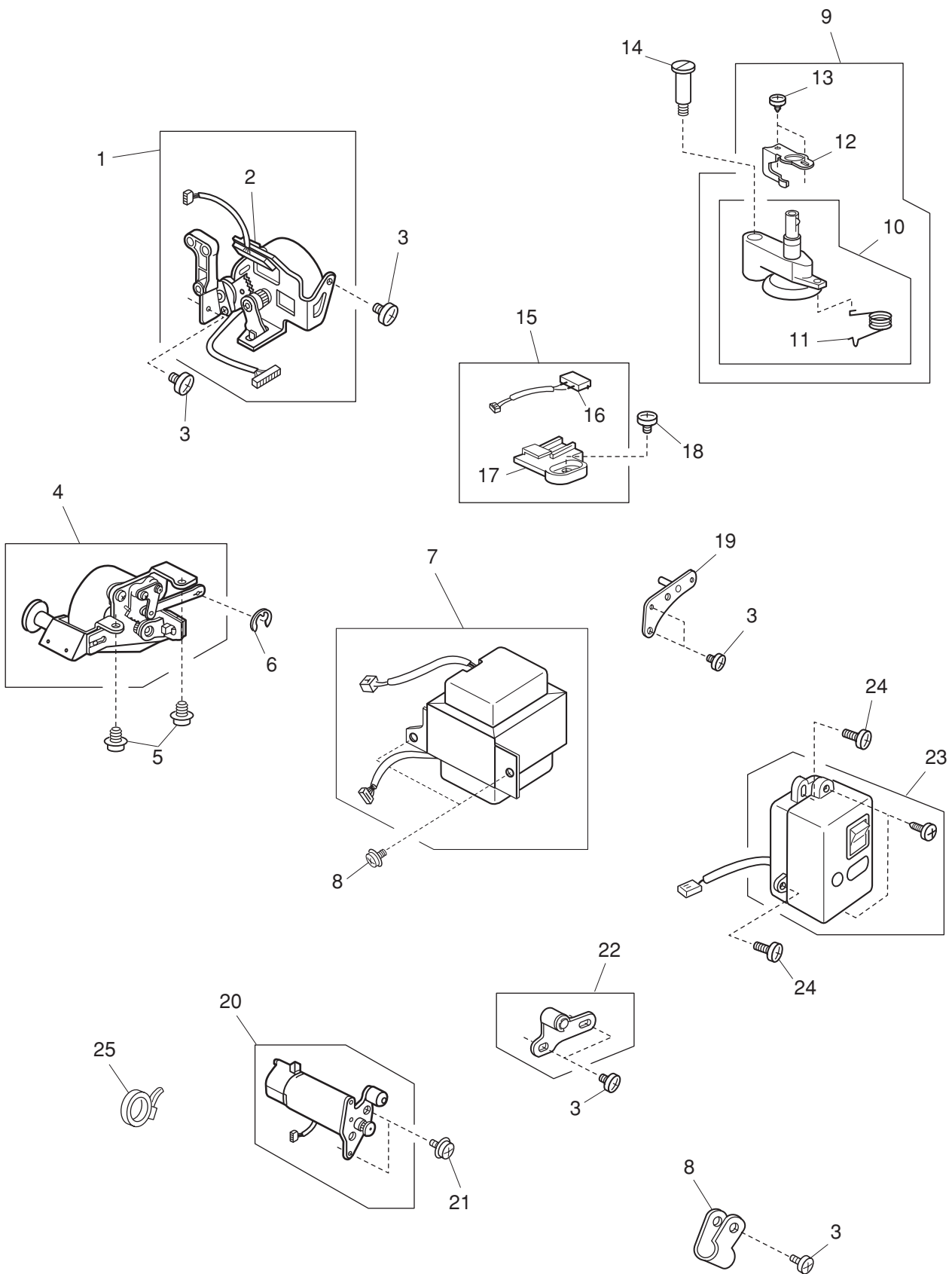
PARTS LIST



PARTS LIST

KEY NO.	PARTS NO.	DESCRIPTION
1	834527100	Feed rock shaft (unit)
2	840005003	Feed dog
3	000104005	Setscrew 3.5 x 8
4	738055008	Center pin
5	000111304	Hexagonal socket screw 5 x 5
6	650085002	Spring
7	650612004	Feed regulator (unit)
8	000036603	Washer
9	823110009	Felt
10	625144002	Bushing (front)
11	650175000	Washer
12	000111201	Hexagonal socket screw 4 x 4
13	820387000	Ring
14	840603007	Feed shaft (unit)
15	840006004	Feed shaft
16	000160102	Adjustable lock nut 4
17	825261002	Feed adjusting arm (2)
18	589040002	Spring
19	827043105	Feed adjusting arm (1)
20	810207004	Washer
21	827086007	Feed adjusting arm screw
22	000115906	Setscrew 3 x 12
23	000071013	Washer
24	000036407	Thrust washer FT 50
25	650092002	Bushing (rear)
26	827614033	Hook race (unit)
27	650623008	Hook body (unit)
28	627191000	Thread guard plate
29	820374004	Setscrew 2 x 2.3
30	627190010	Magnet
31	000038409	Washer
32	627192001	Washer
33	625102008	Washer
34	827040009	Cover
35	823106002	Hook race set plate
36	000107204	Setscrew 3 x 12
37	650094004	Hook race shaft base
38	000081005	Setscrew 4 x 8
39	820123006	Hook race shaft (unit)
40	820124007	Hook shaft oil wick (1)
41	820125008	Hook shaft oil wick (2)
42	000070506	Washer 4

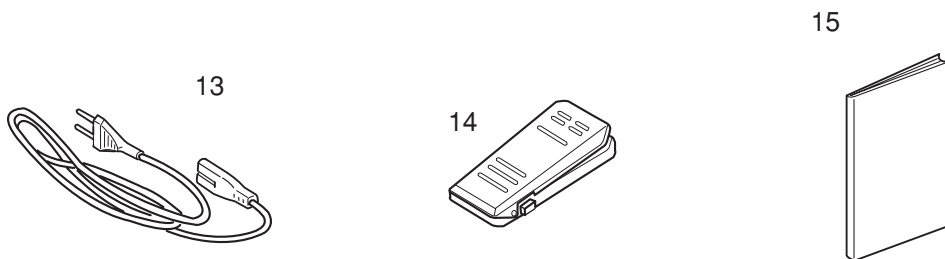
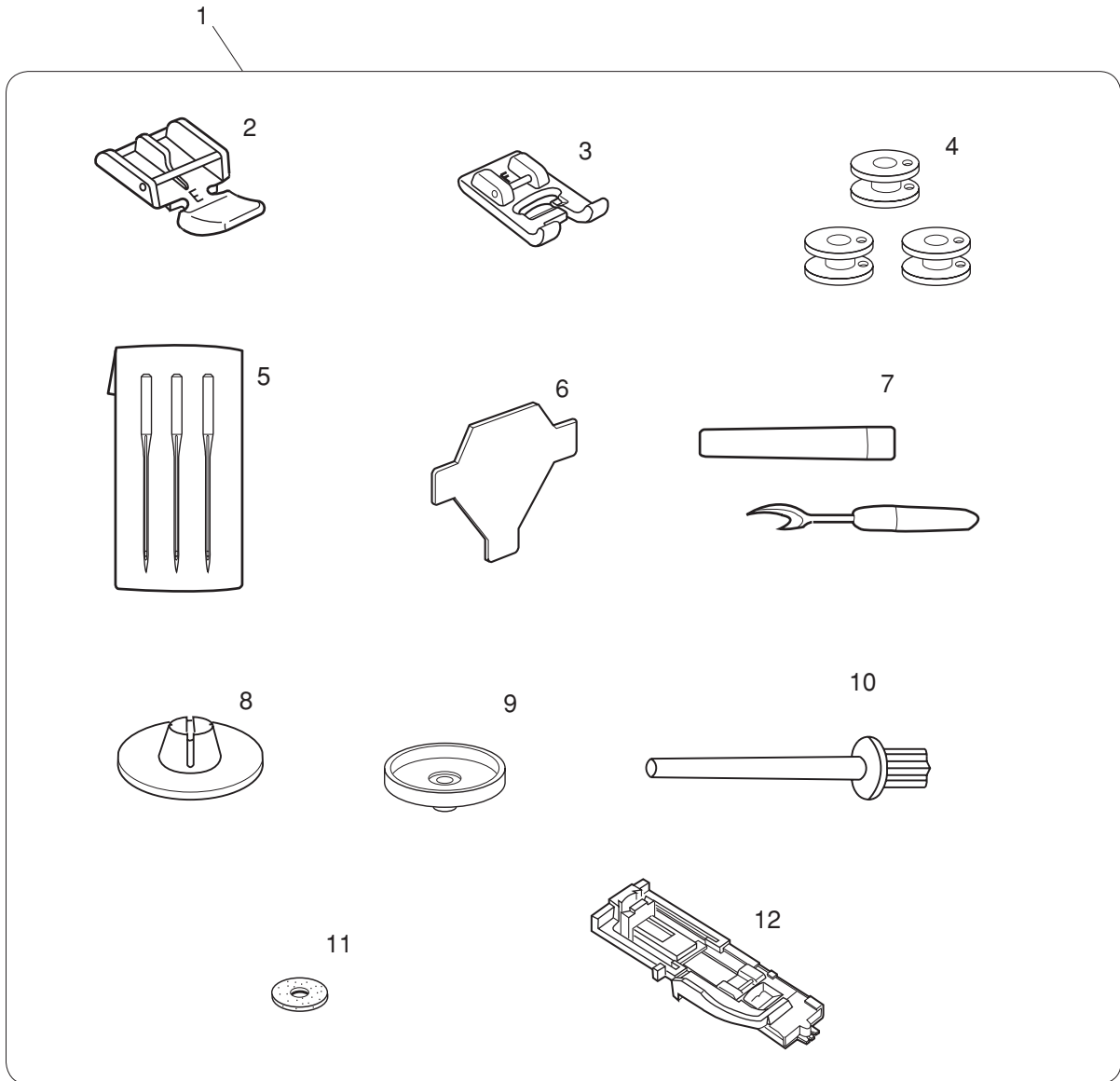
PARTS LIST



PARTS LIST

KEY NO.	PARTS NO.	DESCRIPTION
1	843608001	Stepping motor (unit)
2	843505007	Printed circuit board P (unit)
3	000081005	Setscrew 4 x 8
4	843606102	Feed motor (unit)
5	000115205	Setscrew 4 x 6
6	000002105	Snap ring E-3
7	843516001	Transformer (unit)
8	000188209	Nylon clip
9	844628033	Bobbin winder (unit)
10	827506008	Bobbin winder (unit)
11	823119008	Bobbin winder arm spring
12	844075039	Clutch releasing arm
13	000120203	Setscrew 3 x 8 B
14	652093009	Setscrew
15	843628007	Machine socket base plate (unit)
16	753507203	Buttonhole selector switch (unit)
17	843067002	Switch fixing base
18	000101404	Setscrew 4 x 6
19	843034000	Fixing plate
20	843615001	Motor (unit)
21	000115700	Setscrew 4 x 10
22	652611009	Idler (unit)
23	843519004	Machine socket (unit)
24	000103509	Setscrew 4 x 10
25	000053008	Cord binder

PARTS LIST



PARTS LIST

KEY NO.	PARTS NO.	DESCRIPTION
1	843870109	Attachment (unit)
2	829801002	Zipper foot
3	822804118	Satin foot
4	102261000	Bobbin
5	639804000	Needle set (unit)
6	653802002	Screwdriver
7	647808009	Seam ripper (unit)
8	822019509	Spool cap (small)
9	829803004	Spool stand
10	625031500	Spool pin (2)
11	102403109	Felt
12	753801004	Automatic buttonhole foot
13	830335004	Power supply cord
14	033570330	Foot control
15	843801866	Instruction book