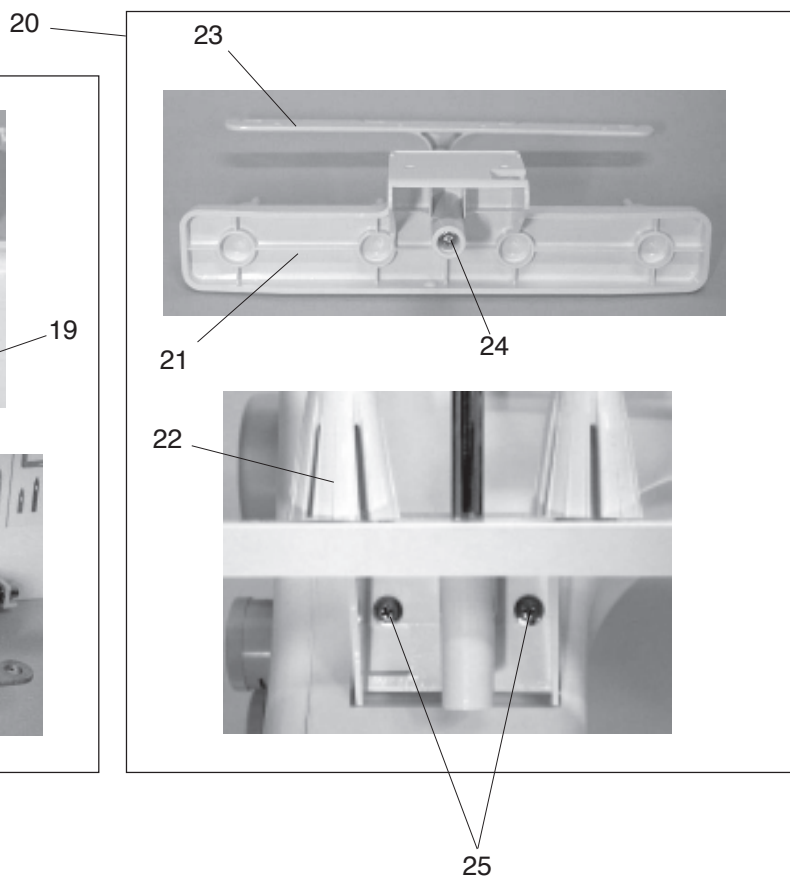
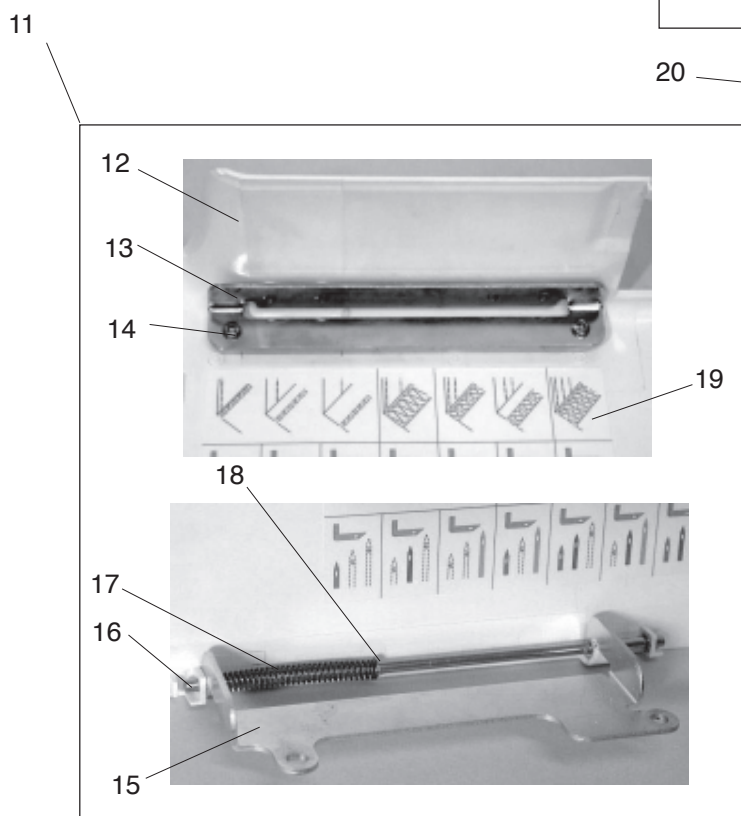
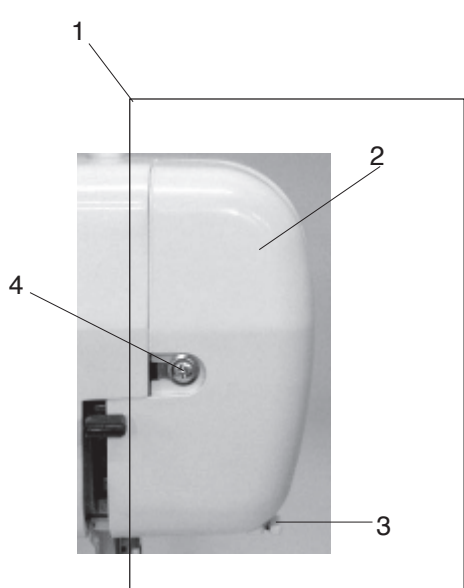


# **Parts list**

## **N434**

**NECCHI 434**

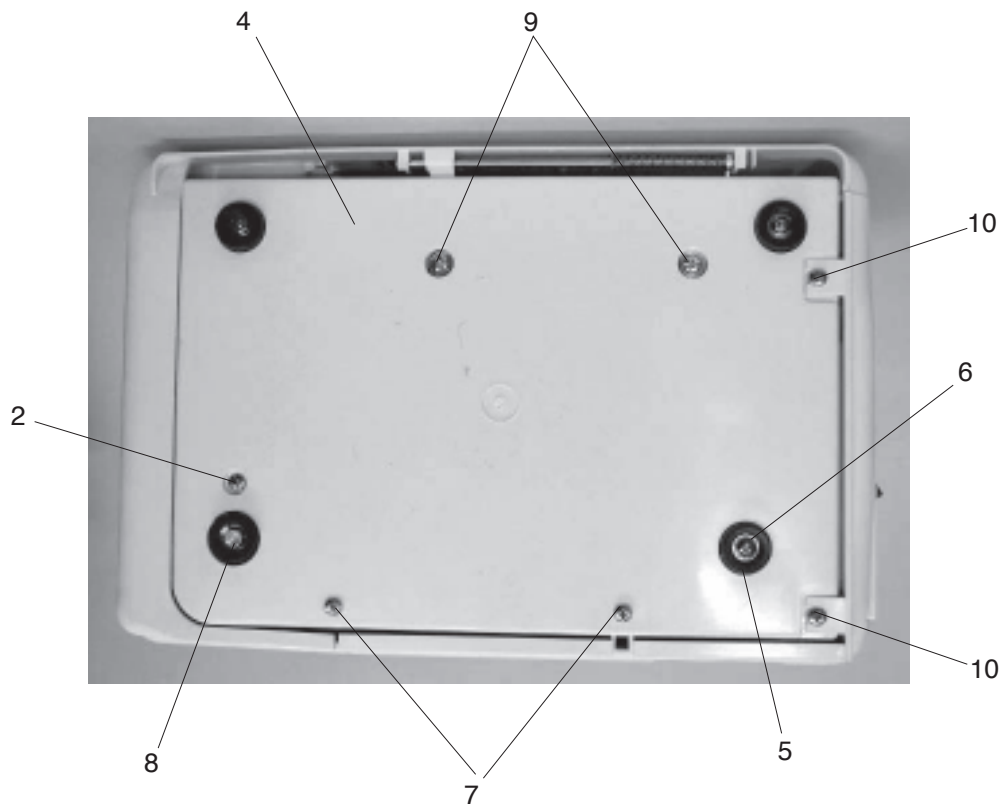
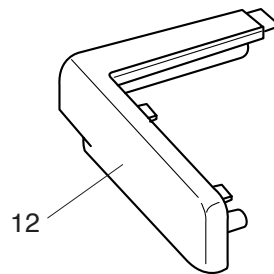
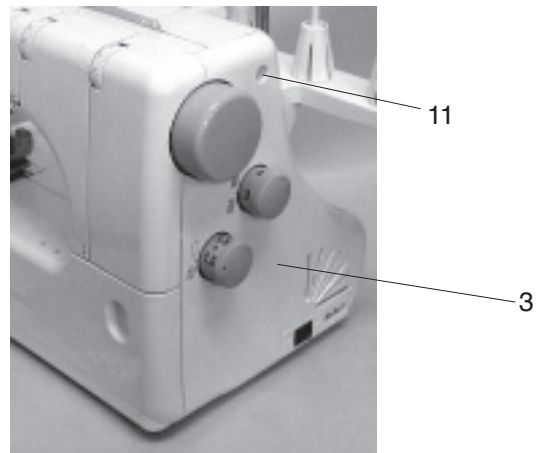
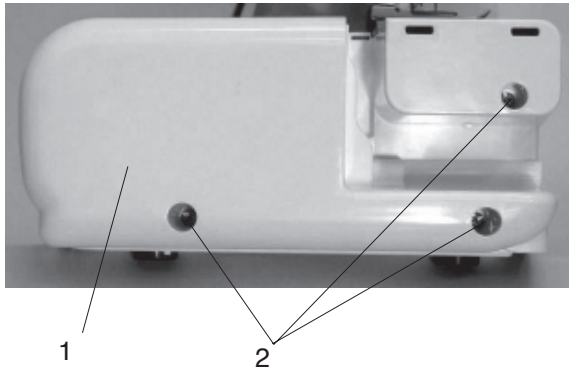
# Parts List



# Parts List

NO.	Part #	Part Name
1	795603107	Face cover (unit)
2	795016004	Face cover
3	840602006	Thread cutter (unit)
4	000115700	TP screw 4x10
5	795601404	Rear cover (unit)
6	795007507	Rear cover
7	795004009	Handle
8	795005000	Handle supporter
9	730015002	Handle shaft
10	000120203	Setscrew 3x8B
11	795602092	Looper cover (unit)
12	795010802	Looper cover
13	795102008	Attachement set plate
14	000120203	Setscrew 3x8B
15	795011009	Looper cover supporter
16	795013001	Looper cover shaft
17	795150001	Looper cover spring
18	000002105	Snap ring E-3
19	795015003	Stitch chart
20	789606008	Spool stand (unit)
21	777011003	Spool stand
22	784223105	Spool holder
23	789607009	Thread guide bar (unit)
24	000115700	TP screw 4x10
25	000114802	TP screw 4x12

# Parts List



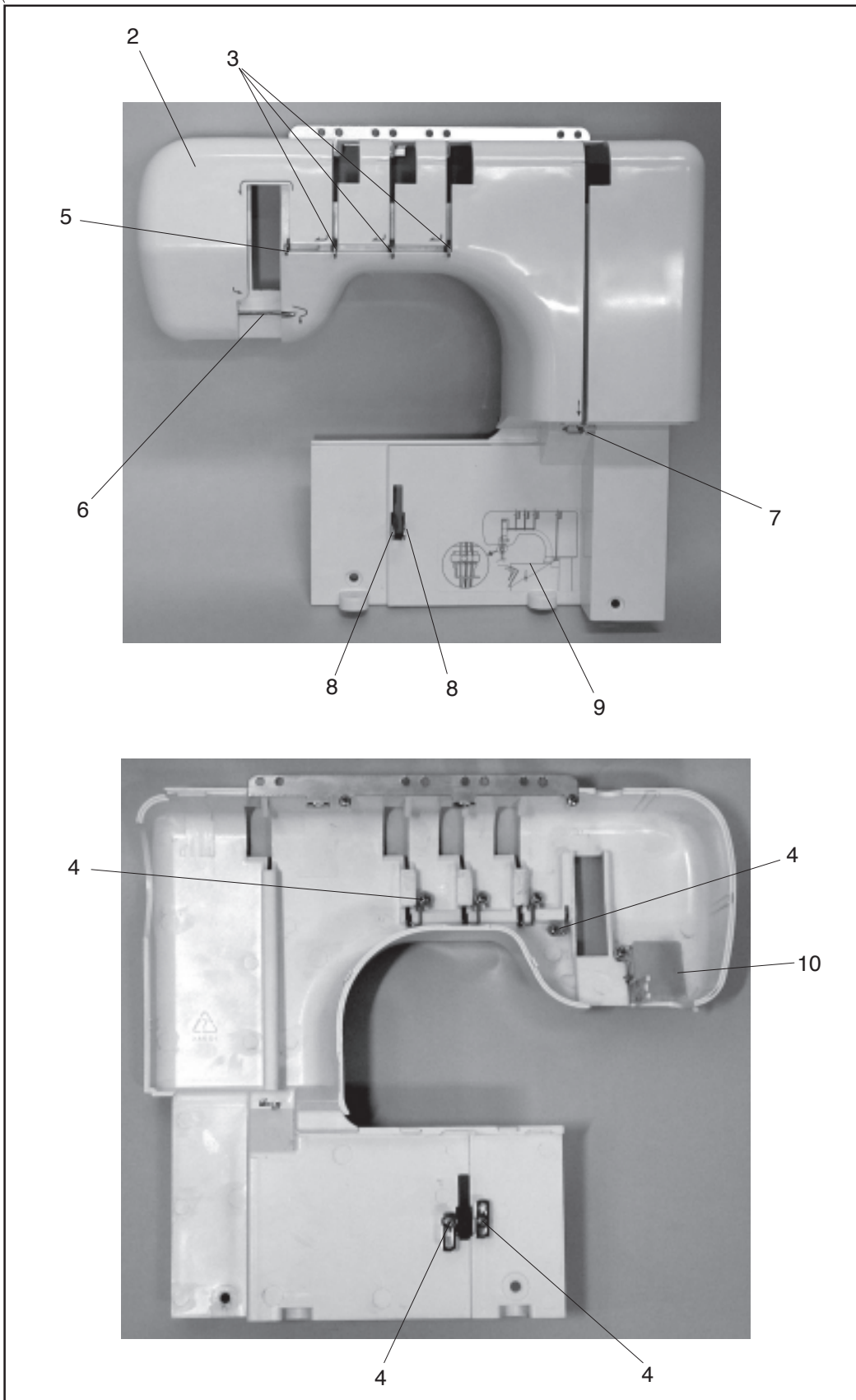
# Parts List

NO.	Part #	Part Name
1	795631012	Free-arm cover (unit)
2	000081005	Setscrew 4x8
3	795114106	Belt cover
4	795112001	Base plate
5	605074008	Rubber foot
6	000197407	TP screw 4x12
7	000198305	Setscrew 4x10B
8	795634004	Adjusting screw (unit)
9	000115607	TP screw 4x8
10	000109103	Setscrew 4x12
11	000103510	Setscrew 4x10
12	795009004	Extension table

**PREFISSO "J"**

# Parts List

1

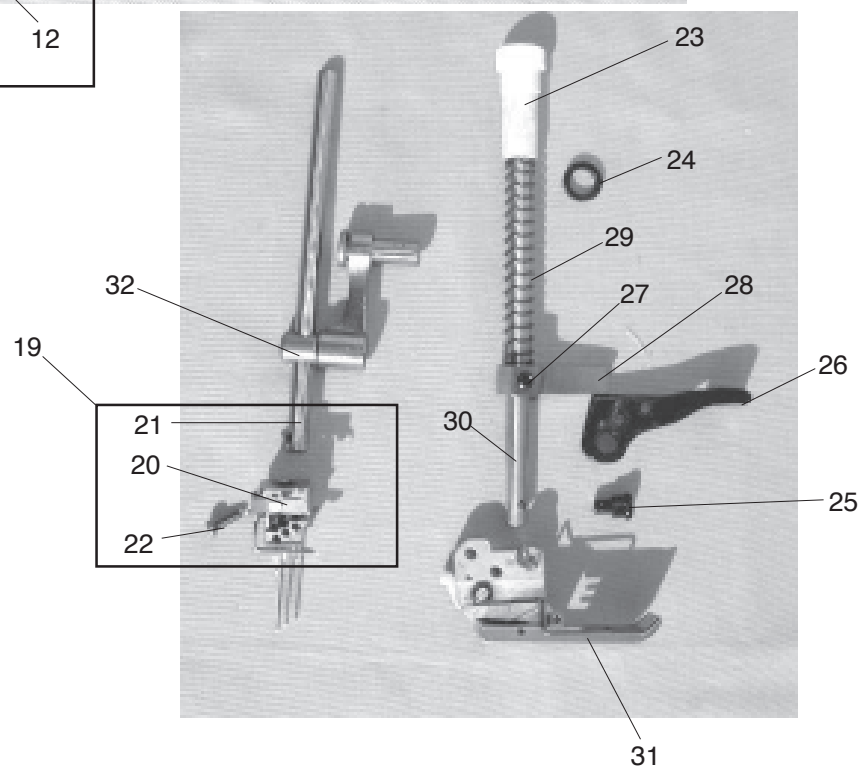
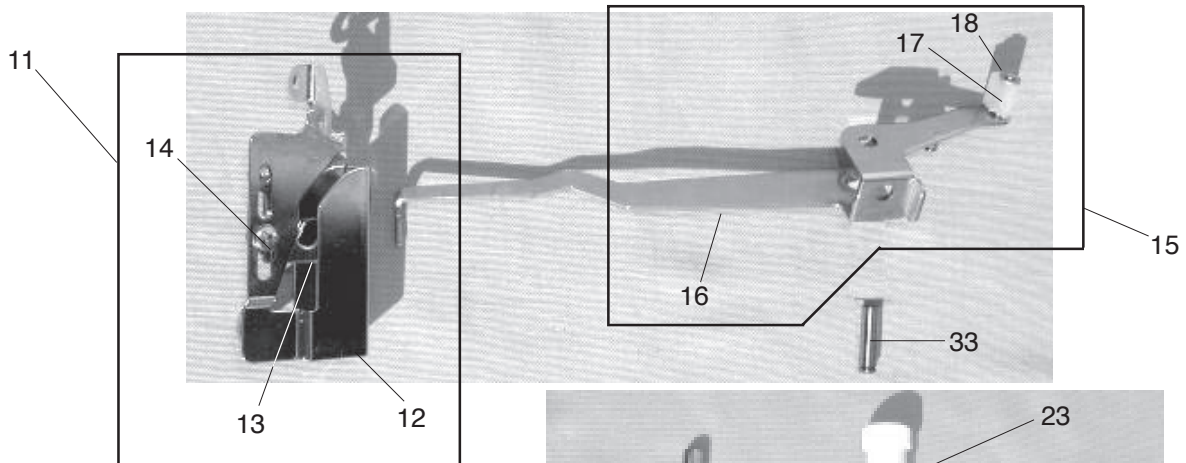
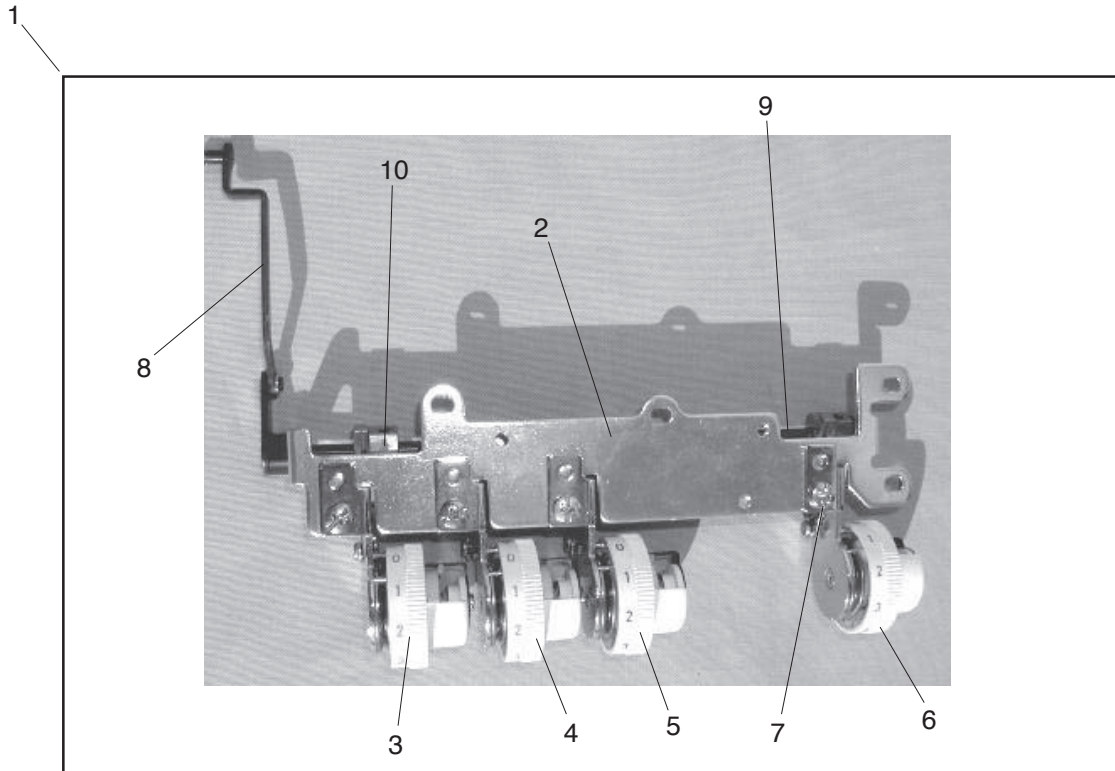


# Parts List

NO.	Part #	Part Name
1	796605065	Front cover (unit)
2	795039405	Front cover
3	795040007	Thread guide (1)
4	000149301	Setscrew 3x8B
5	795041008	Needle thread guide (2)
6	795042009	Needle thread guide (3)
7	795044001	Looper thread guide (1)
8	795045002	Looper thread guide (2)
9	795046003	Thread guide chart
10	724025006	Face cover reflection plate

**PREFISSO "J"**

# Parts List

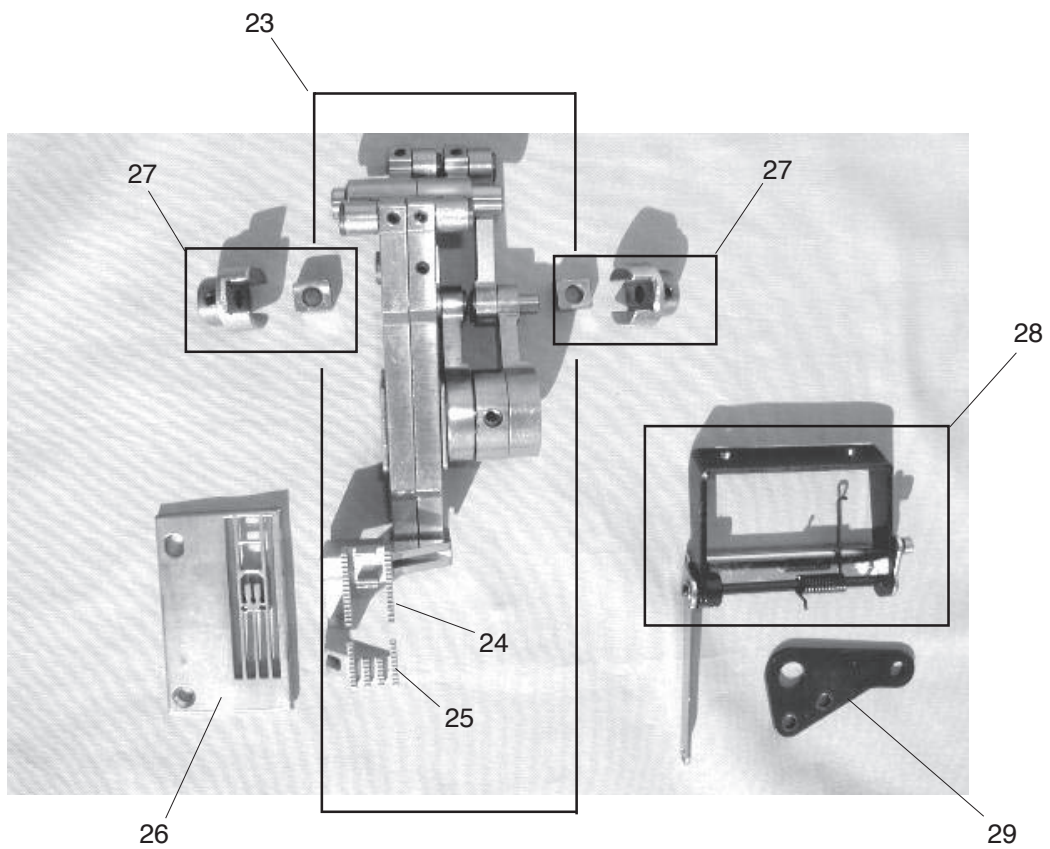
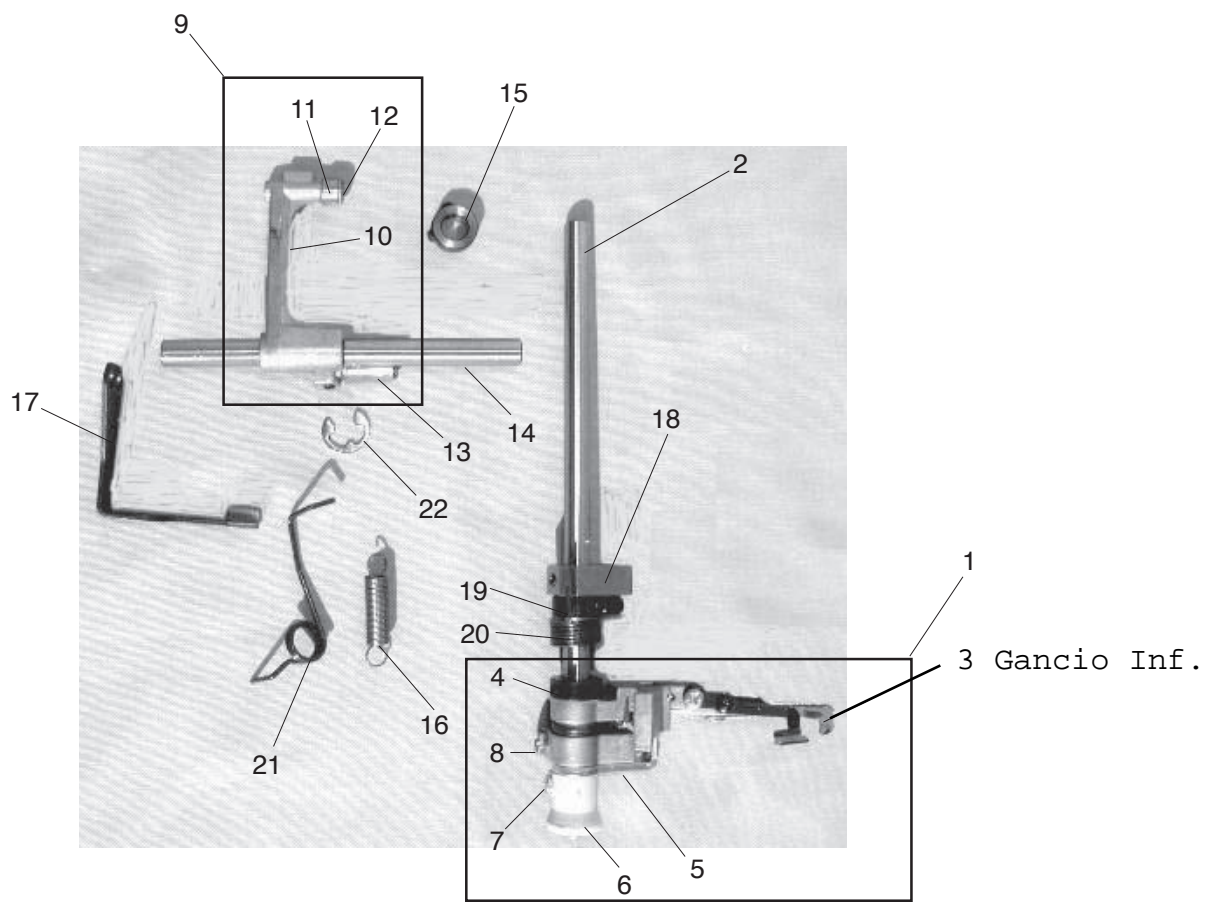




# Parts List

NO.	Part #	Part Name
1	796606309	Thread tension set plate (unit)
2	795104000	Thread tension set plate
3	795502024	Needle thread tension (L) (unit)
4	796503028	Needle thread tension (C) (unit)
5	795503025	Needle thread tension (R) (unit)
6	795504026	Looper thread tension (unit)
7	000101404	Setscrew 4x6
8	795615009	Thread tension release lever
9	795108004	Thread releasing shaft
10	795110009	Cam
11	795605006	Thread take-up lever cover (unit)
12	795043000	Thread take-up lever cover
13	795121003	Thread take-up lever
14	000097406	Setscrew 3x3
15	795604005	Needle thread take-up lever (unit)
16	795026007	Needle thread take-up lever
17	795123005	Cam follower
18	000001207	Snap ring E-2.5
19	796602006	Needle bar (unit)
20	796603007	Needle clamp (unit)
21	795018006	Needle bar
22	000080428	Setscrew 3x10
23	795030004	Pressure adjusting screw
24	102061008	Washer
25	810431009	Hinge screw
26	650032015	Presser foot lifter
27	000111304	Hexagonal socket screw
28	724118007	Presser bar bracket
29	795029000	Presser bar spring
30	784029006	Presser bar
31	796501004	Presser foot (unit)
32	795024005	Needle bar connecting stud
33	795629006	Take-up lever supporter pin

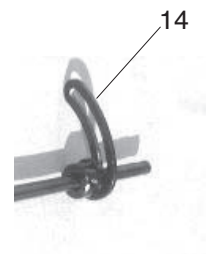
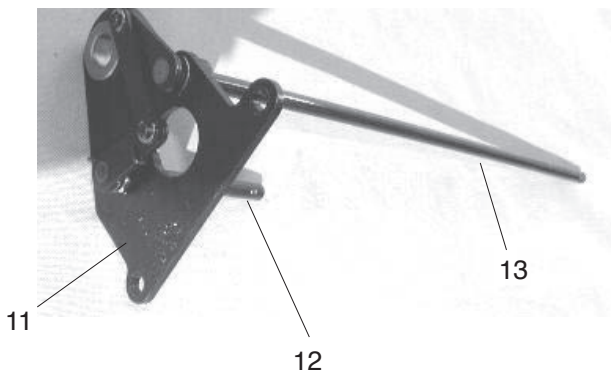
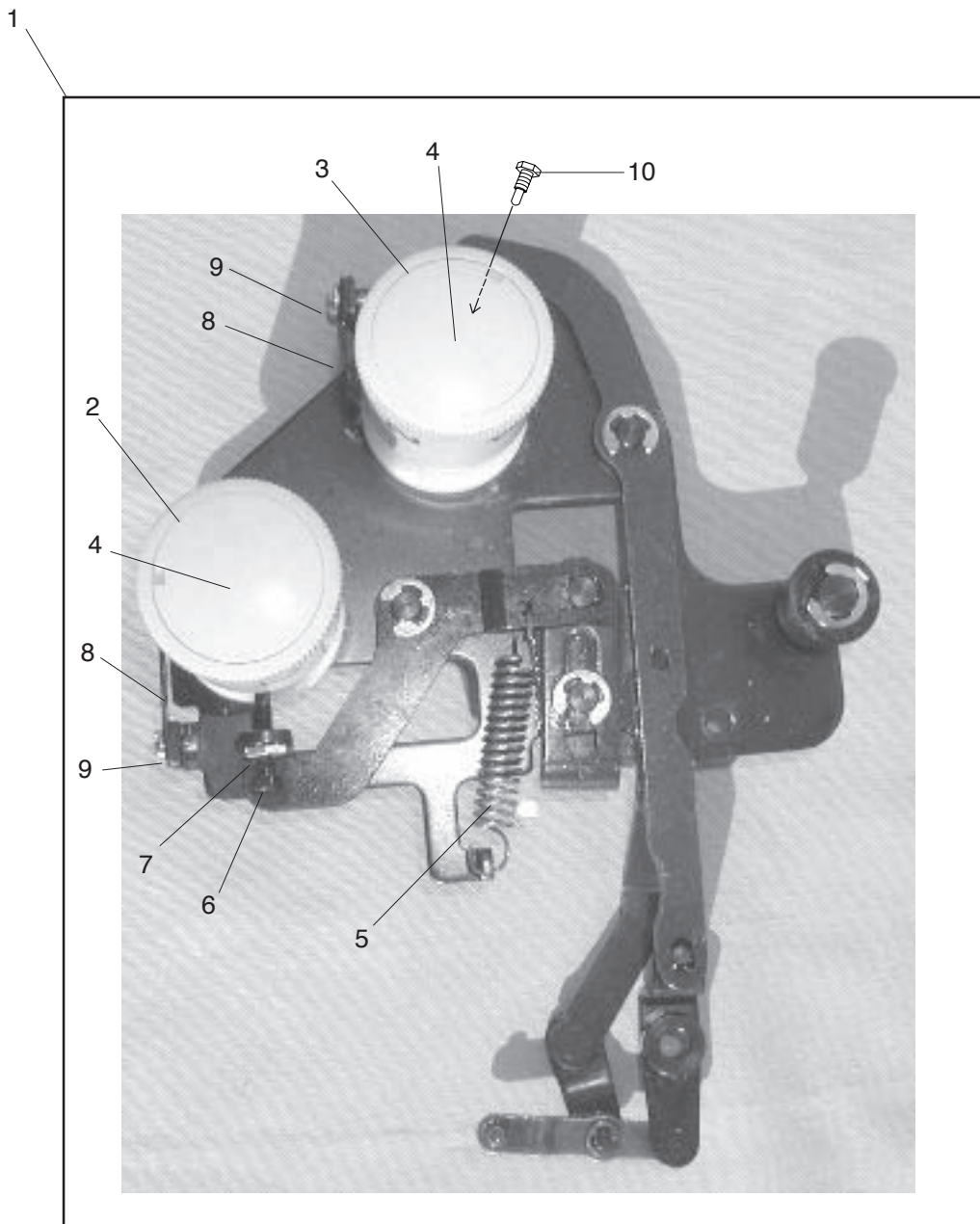
# Parts List



# Parts List

NO.	Part #	Part Name
1	795613007	Looper shaft (unit)
2	795092004	Looper shaft
3	795614008	Looper (unit)
4	787106007	Looper thrust ring
5	795099001	Looper link arm
6	795101007	Looper release knob
7	000101116	Setscrew 3x4
8	000138008	Hexagonal bolt 4x16
9	795612006	Looper crank arm
10	795089008	Looper rocking arm
11	795034008	Looper cam roller
12	795053003	Looper cam roller pin
13	795090002	Looper slider block
14	795088007	Looper rocking shaft
15	624245001	Thrust stopper
16	795132007	Looper spring
17	795085004	Needle guard
18	795093005	Looper arm
19	792048006	Looper shaft ring
20	795135000	Looper rocking spring
21	795127009	Looper crank spring
22	000002909	Snap ring E-7
23	795610004	Main feed base (unit)
24	795060003	Main feed dog
25	795061004	Sub feed dog
26	796601005	Needle plate (unit)
27	785521006	Feed regulator (unit)
28	795609000	Looper thread take-up lever (unit)
29	795073009	Link shaft support base

# Parts List

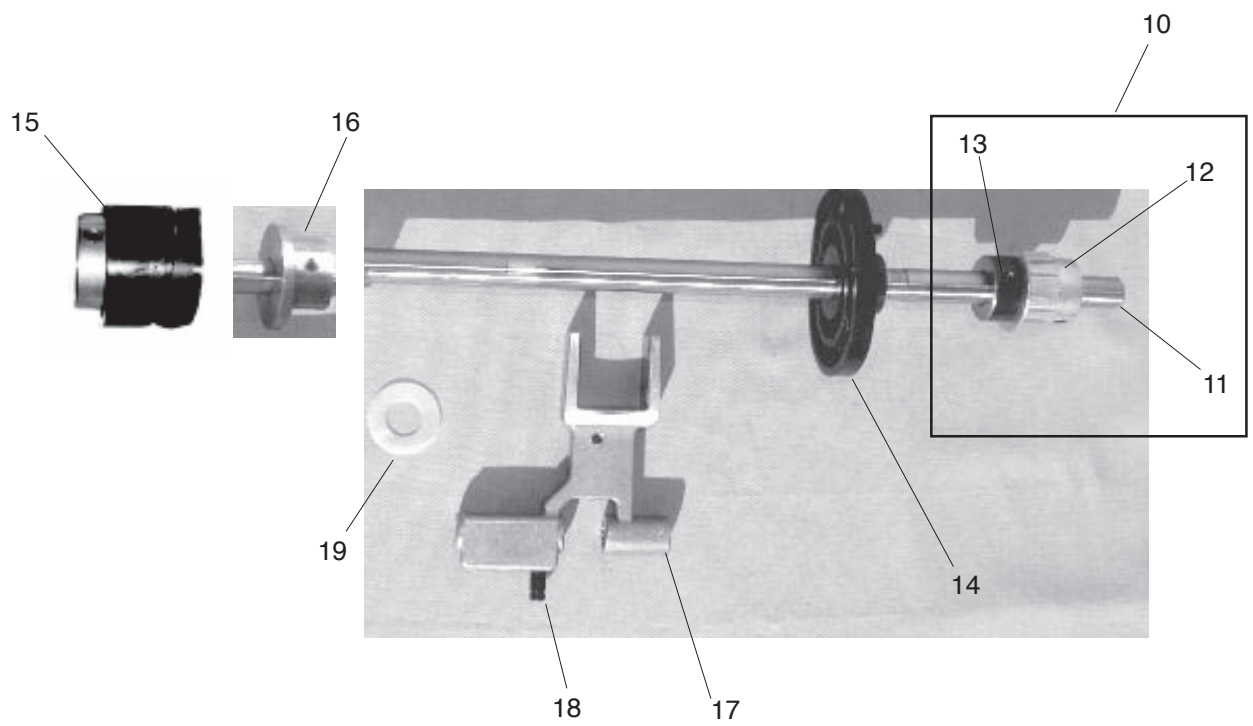
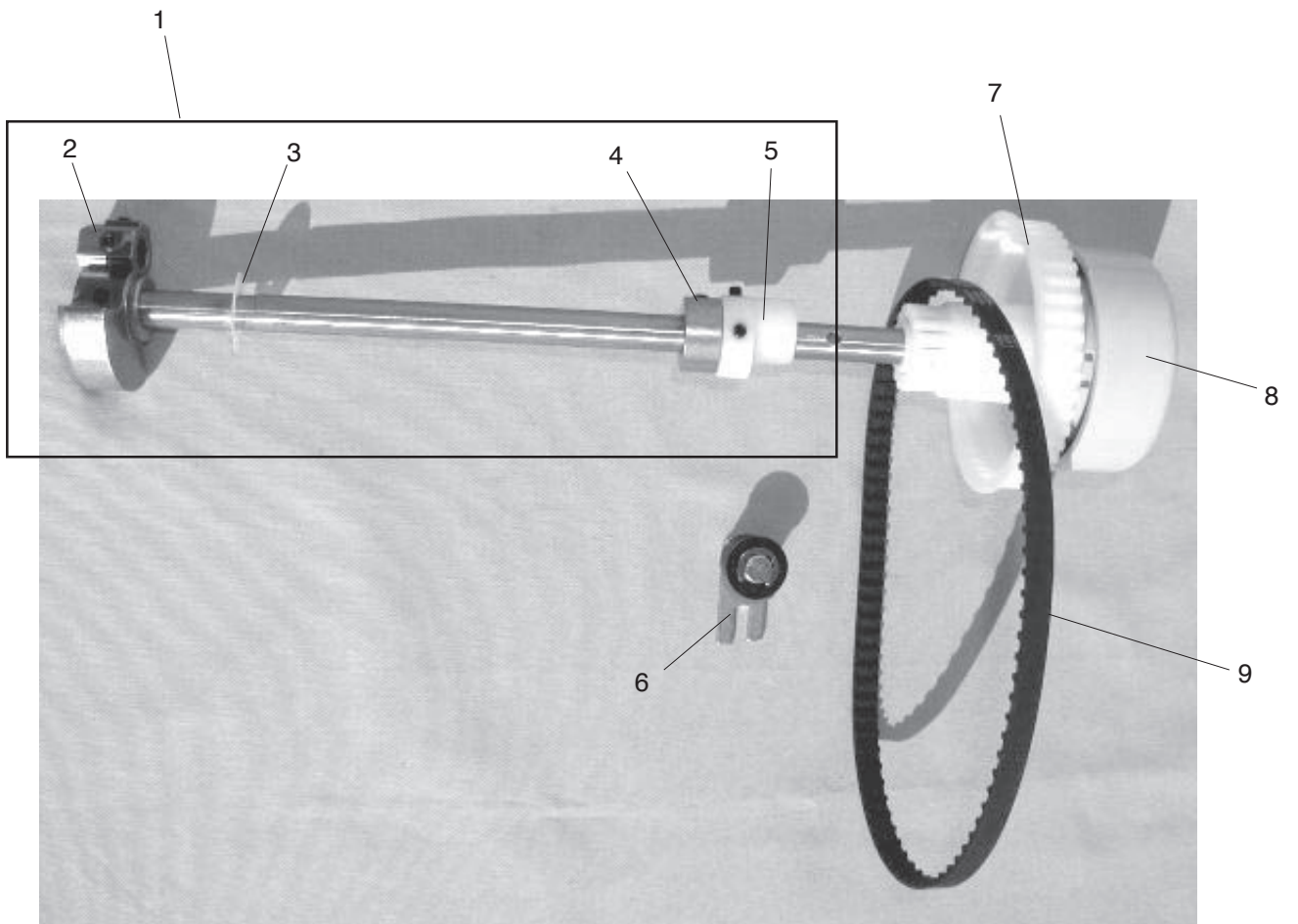


# Parts List

NO.	Part #	Part Name
1	795611108	Feed adjuster bracket (unit)
2	795087202	Differential feed dial
3	795087109	Stitch length dial
4	794099008	Dial cap
5	787259006	Spring
6	785224006	Adjusting screw
7	000160102	Adjustable nut 4
8	787263003	Spring
9	000081119	Setscrew 4x6
10	652056000	Adjusting screw
11	795076002	Lower shaft base
12	795074000	Sub feed convert arm shaft
13	795077003	Sub feed link arm shaft
14	794053000	Sub feed link arm

**PREFISSO "J"**

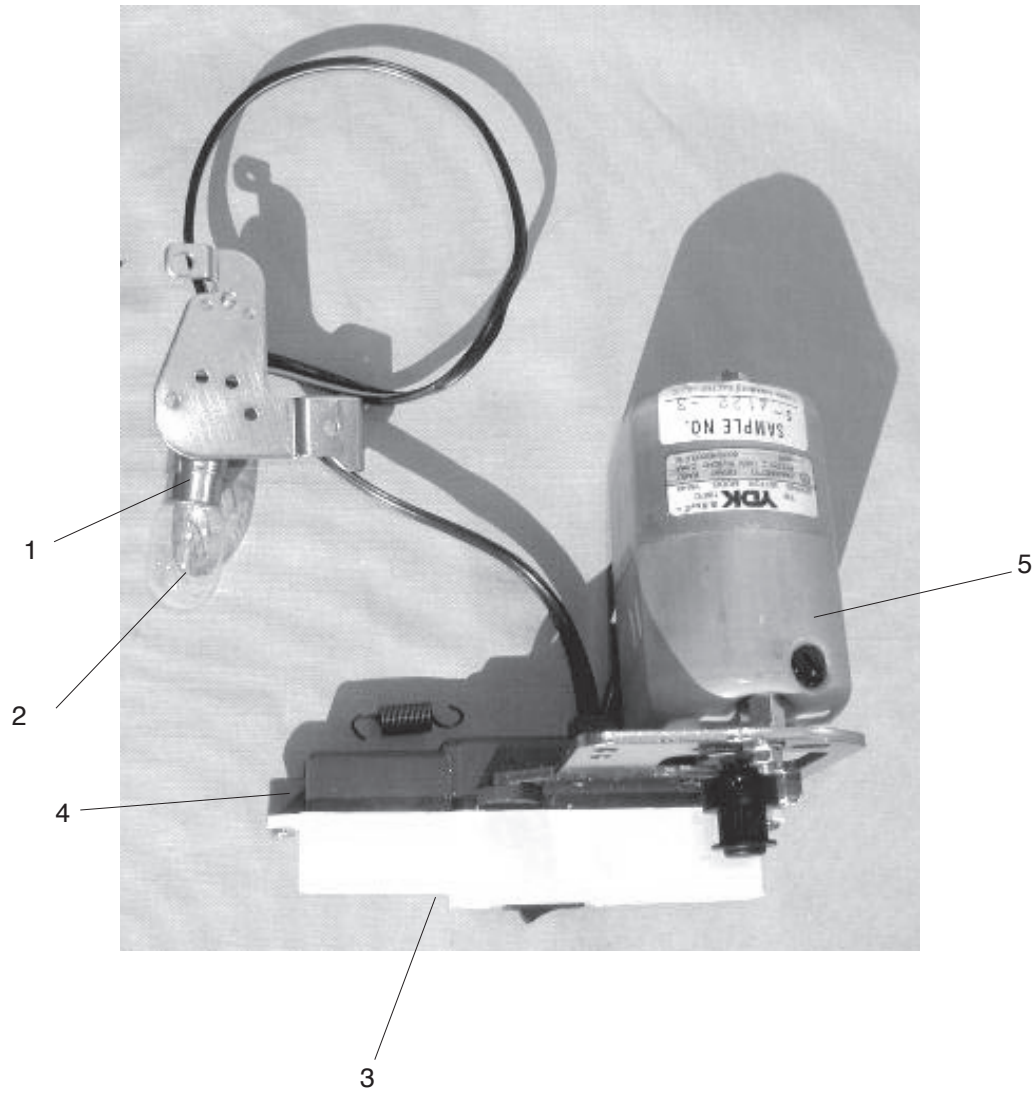
# Parts List



# Parts List

NO.	Part #	Part Name
1	795606007	Upper shaft (unit)
2	795048005	Needle bar crank
3	000038605	Washer
4	639095000	Ring
5	795125007	Needle thread take-up lever cam
6	795607008	Idler (unit)
7	795632013	Belt wheel (unit)
8	846081104	Handwheel
9	795050000	Timing belt
10	795608009	Lower shaft (unit)
11	795051001	Lower shaft
12	724030004	Lower shaft timing gear (unit)
13	619006002	Upper shaft ring
14	795057007	Looper take-up lever cam
15	795628005	Looper rocking cam (unit)
16	795055005	Looper cam
17	795056006	Looper rod
18	795134009	Screw
19	000038605	Washer

# Parts List





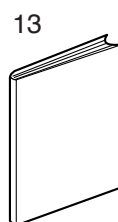
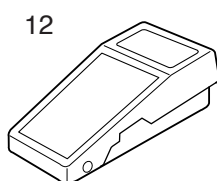
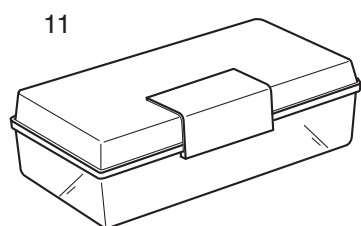
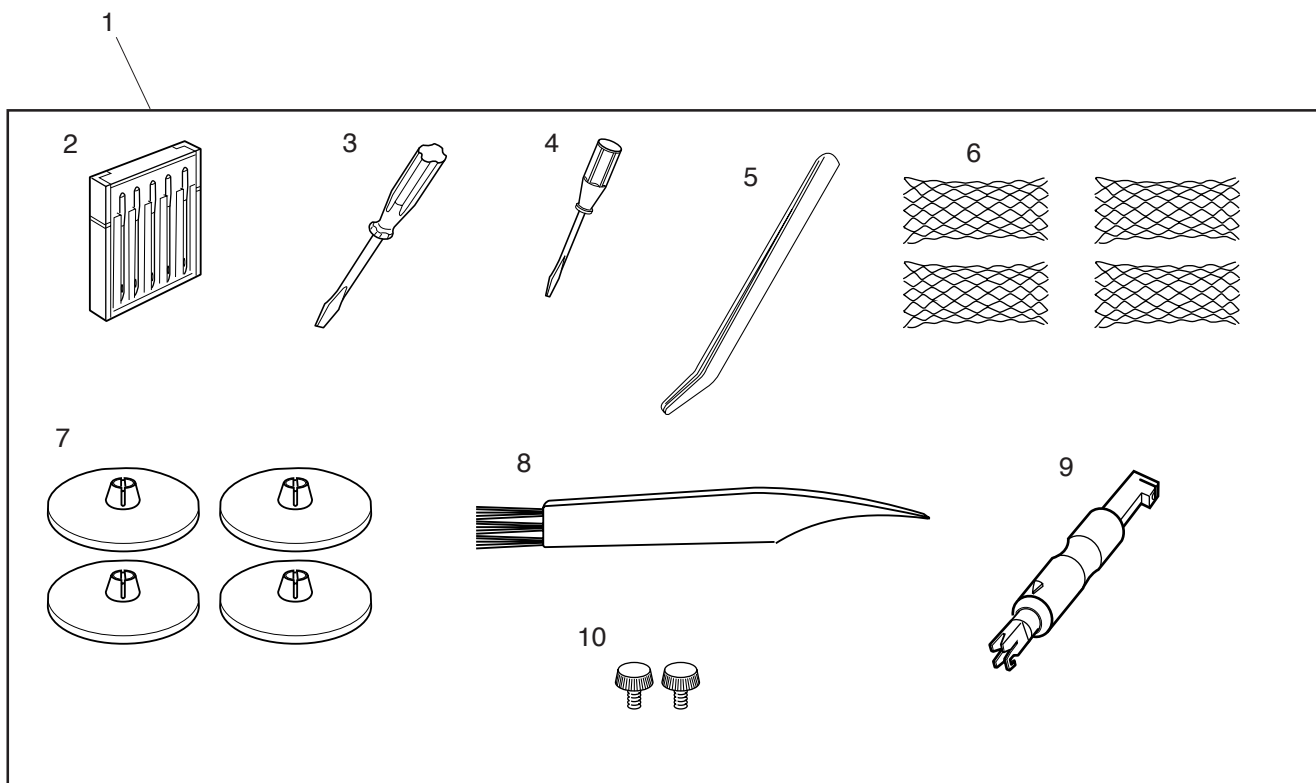
# Parts List

---

NO.	Part #	Part Name
1	795623000	Lamp socket (unit)
2	000009009	Lamp 240V
3	777502109	Machine socket (unit)
4	794087003	Machine socket cover
5	795627015	Motor (unit)

PREFISSO "J"

# Parts List



# Parts List

NO.	Part #	Part Name
1	796870100	Standard accessories (unit)
2	795802005	Assorted needle set
3	784810002	Screwdriver
4	792030005	Small screwdriver
5	624801001	Tweezers
6	624806006	Net
7	822020503	Spool cap
8	802424004	Lint brush
9	200254502	Needle threader
10	200217134	Thumbscrew (for optional attachment)
11	366401400	Accessory box
12	C-2060-1	Foot control
13	796800187	Instruction book

**PREFISSO "J"**