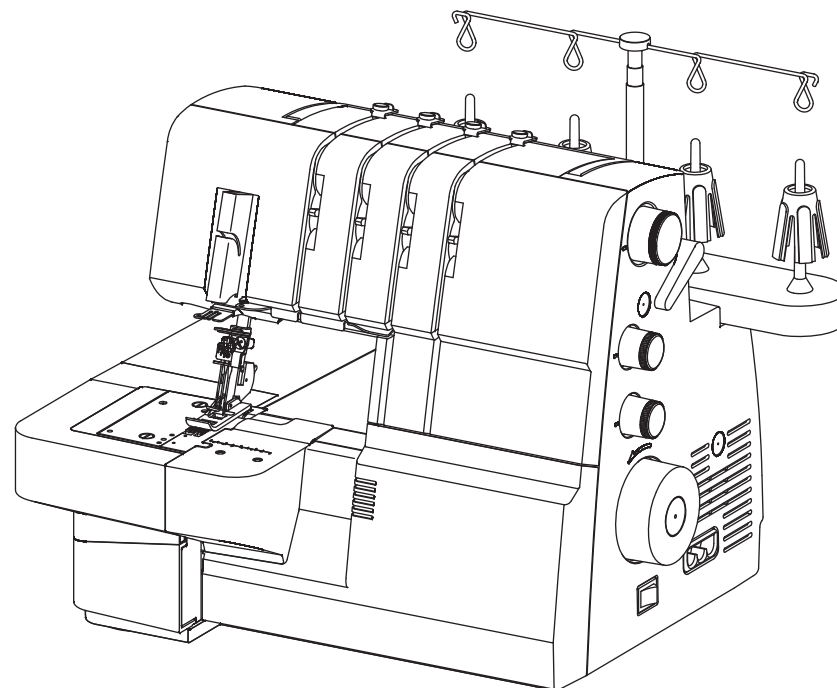


Parts List

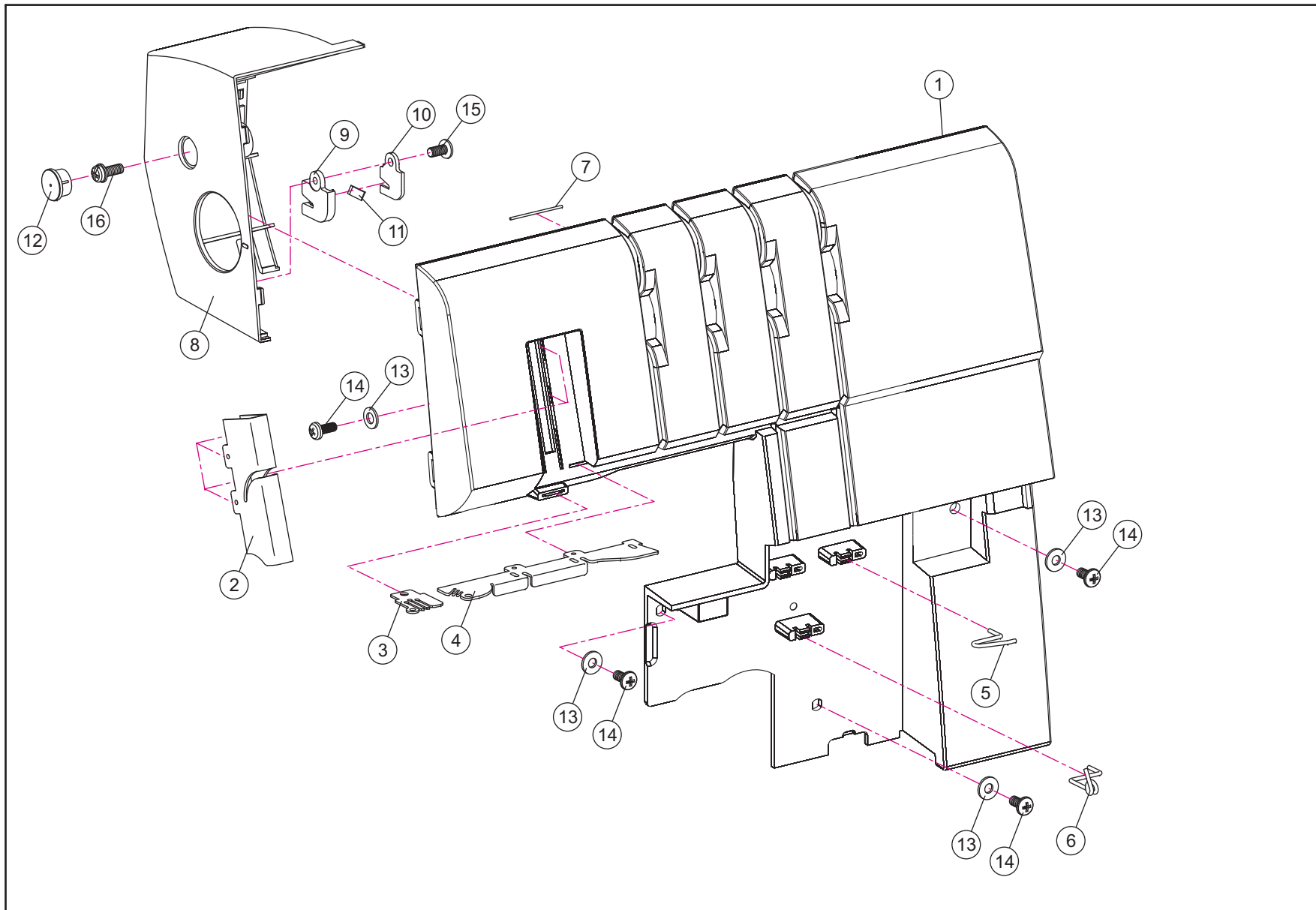
N4055



CONTENTS

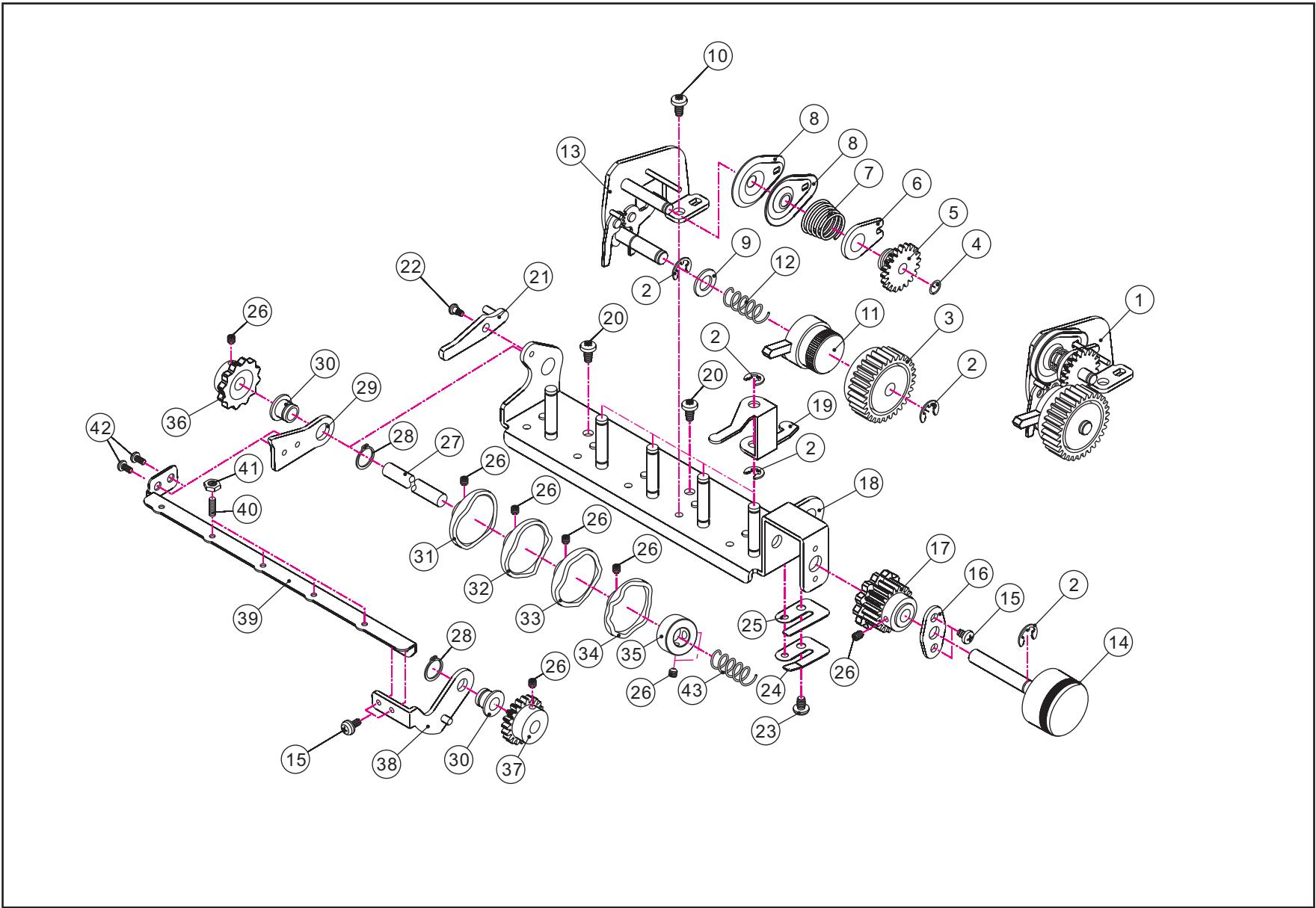
	PAGES
1. Front panel / Bulb cover	1 , 2
2. Auto tension dial	3 , 4
3. Looper cover/ Base plate	5 , 6
4. Side cover/ Flat bed extension/ Back cover/ Thread guide bar/ Spool stand/ Top cover/ Handle	7 , 8
5. Machine frame / Stitch plate	9,10
6. Main shaft	11,12
7. Needle bar connecting arm	13,14
8. Stitch length dial	15,16
9. Feed dog	17,18
10. Differential feed dial	19,20
11. Needle bar/ Presser bar/ Presser foot	21,22
12. Cover looper	23,24
13. Electronic parts	25,26
14. Accessories.....	27,28

Note : All parts are included in a part set with the “ * “ mark are part components that cannot be ordered alone.



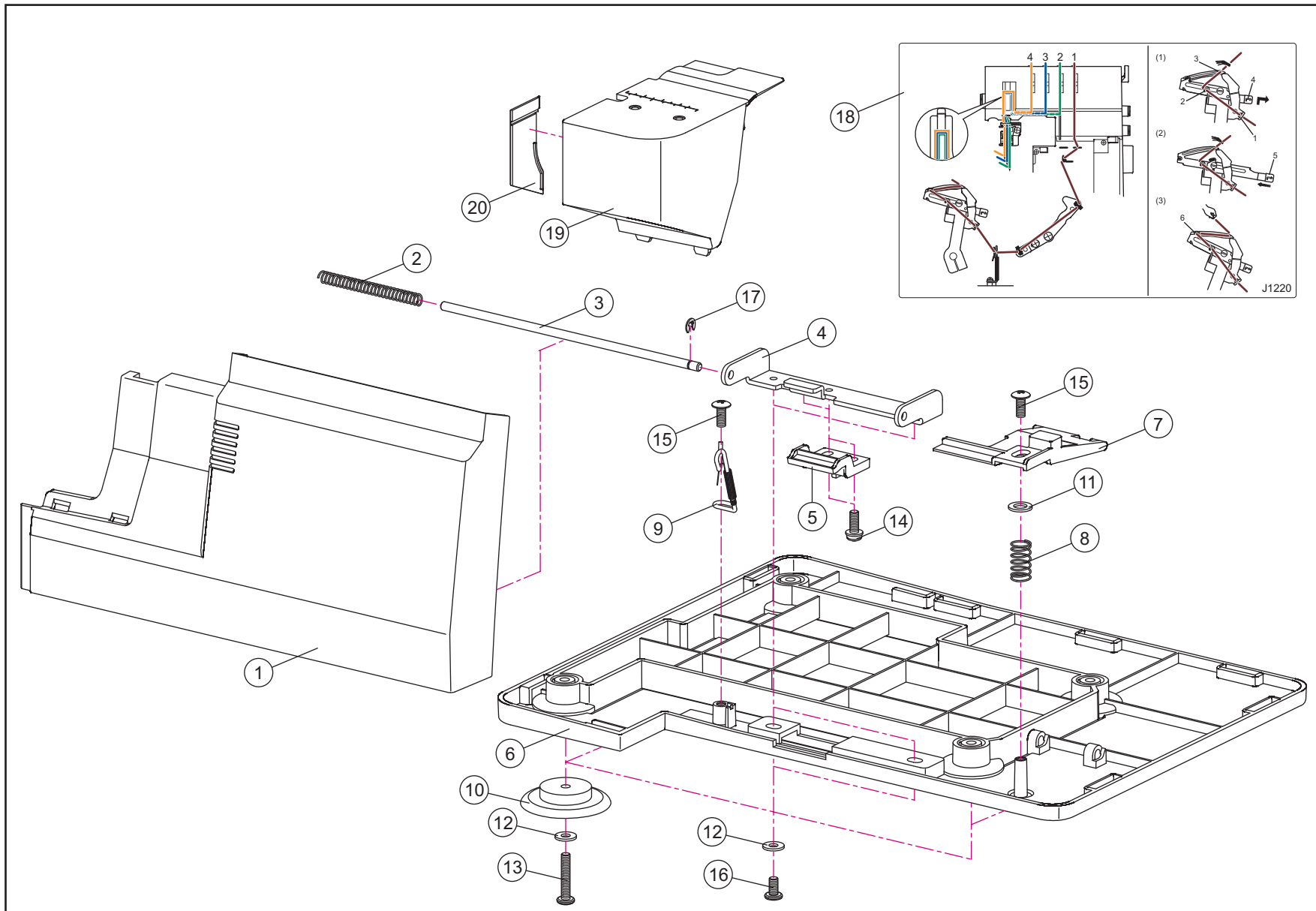
1. Front panel / Bulb cover

No.	Parts No.	Parts Name
1	J1197P002	Front panel
2	G2050	Thread take-up cover
3	G7031	Thread guide (C)
4	J1177	Thread guide (B)
5	J1147	Thread guide (A)
6	J1148	Thread guide (B)
7	J1149	Thread guide (C)
8	J1011-111	Bulb cover
9	H1117	Knife holder
10	H1118	Knife holder cap
11	G2073	Knife
12	H1030-111	Screw cap
13	ZW04.3F10J02	Washer
14	ZM04L08A02	Set screw
15	ZM03L10F42	Set screw
16	ZM04L10W02	Set screw
*17	J1197P002A	Front panel set (No.1.2.3.4.5.6.7.17.18 included)
*18	J1011-111A	Bulb cover set (No.8.9.10.11.15 included)



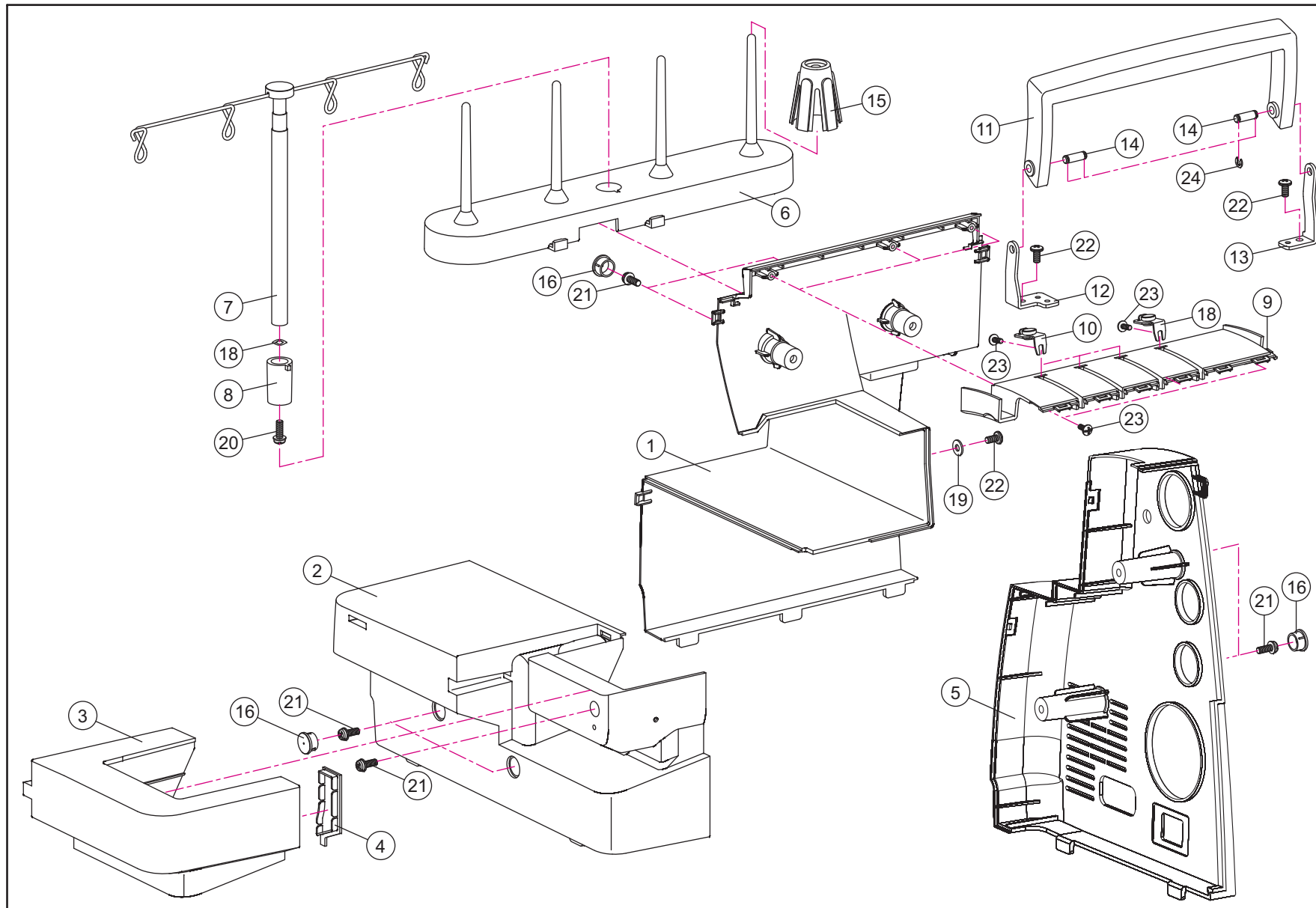
2. Auto tension dial

No.	Parts No.	Parts Name	No.	Parts No.	Parts Name
*1	G6010-567A	Tension fine tuning dial set (No.1.2.3.4.5.6.7.8.9.10.11.12.13 included)	30	G6033	Restoring plate bushing
*1	G6010-111A	Tension fine tuning dial set (No.1.2.3.4.5.6.7.8.9.10.11.12.13 included)	31	J1214-01	Tension cam (A)
2	E04T06A04	E ring	32	J1215-01	Tension cam (B)
3	G6009	Tension fine tuning gear	33	J1216-01	Tension cam (C)
4	G6032	Ring	34	J1218-01	Tension cam (E)
5	G6027	Tension regulate gear	35	G2040	Setting collar
6	G6026	Tension regulate Nut	36	G6034	Restoring gear
7	G6035	Tension spring	37	G6017	Tension gear
8	G6025	Tension disc	38	J11132	Restoring plate (A)
9	ZW06.4F14J02	Washer	39	G6019	Restoring regulate plate
10	ZM04L05A02	Set screw	40	ZM03L07L71	Set screw
11	G6010-567	Tension fine tuning dial	41	ZM03H02.1L12	Nut
11	G6010-111	Tension fine tuning dial	42	ZM03L03A03	Set screw
12	G2020	spring	43	J1180	Spring
13	G6012-A01	Tension dial holder set	*44	G6016S	Tension fixed gear set (No.17.26 included)
14	J1023P003 ~J1023Pxxx	Auto tension dial selection	*45	G6017S	Tension gear set (No.26.37 included)
15	ZM03L04A13	Set screw	*46	G6034S	Restoring gear set (No.26.36 included)
16	G6021	Auto tension dial selection shaft holder	*47	J1214-01S	Tension cam set (No.26.31 included)
17	G6016	Tension fixed gear	*48	J1215-01S	Tension cam set (No.26.32 included)
18	J11122	Tension dial holder	*49	J1216-01S	Tension cam set (No.26.33 included)
19	G6013	Tension transmitting arm	*50	J1218-01S	Tension cam set (No.26.34 included)
20	ZM04L08C02	Set screw	*51	G2040S	Setting collar set (No.26.35 included)
21	G6036	Tension restoring plate			
22	G6037	Set screw			
23	ZM04L04.5A04	Set screw			
24	G6048	Spring			
25	G6038	Spring			
26	ZM04L04M71	Set screw			
27	G6022	Tension cam shaft			
28	ZC08T0.8G11	C ring			
29	G6020	Restoring plate (B)			



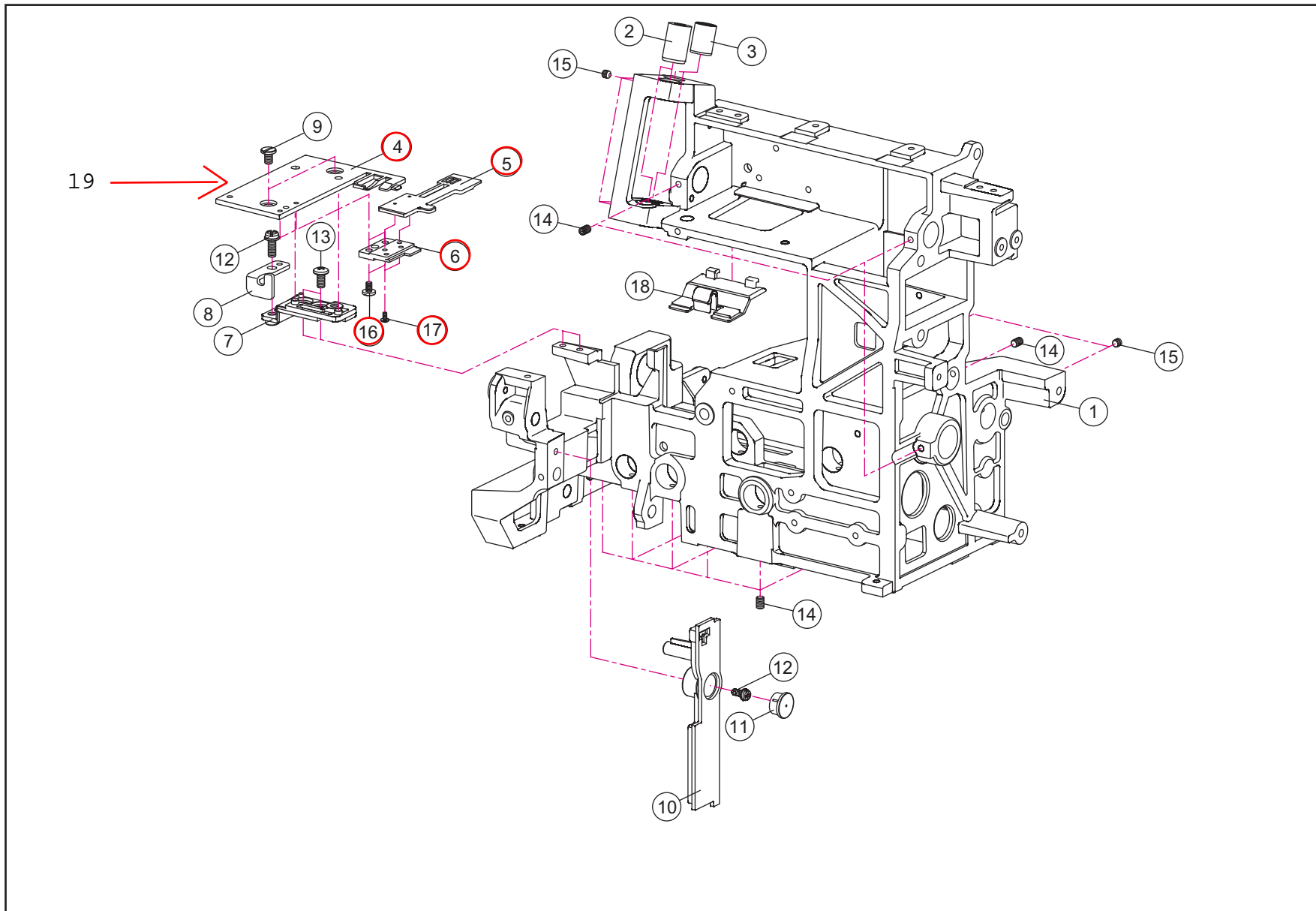
3. Looper cover/ Base plate

No.	Parts No.	Parts Name
1	J1015P001~X	Looper cover
2	A1106-01	Spring
3	J1129	Looper cover hinge shaft
4	J1075	Looper cover hinge
5	J1025	Looper cover regulate holder
6	J1019-111	Base plate
7	J1026	Micro switch contactor
8	J1146	Spring
9	H10202	Chain looper thread guide set
10	A11251000	Rubber
11	ZW06.1F11J11	Washer
12	ZW04.3F10J02	Washer
13	ZM04L22C42	Set screw
14	ZM04L10W02	Set screw
15	ZM04L10F42	Set screw
16	ZM04L08A02	Set screw
17	ZE03T06E13	E ring
18	J1220	Thread guide sticker
19	J1017-111	Cutter cover (B)
20	J1161-111	Cutter cover (B) attached plate
*21	J1017-1112	Cutter cover (B) set (No.19.20 included)
*22	J1019-111A	Base plate set (No. 6.7.8.9.11.15 included)



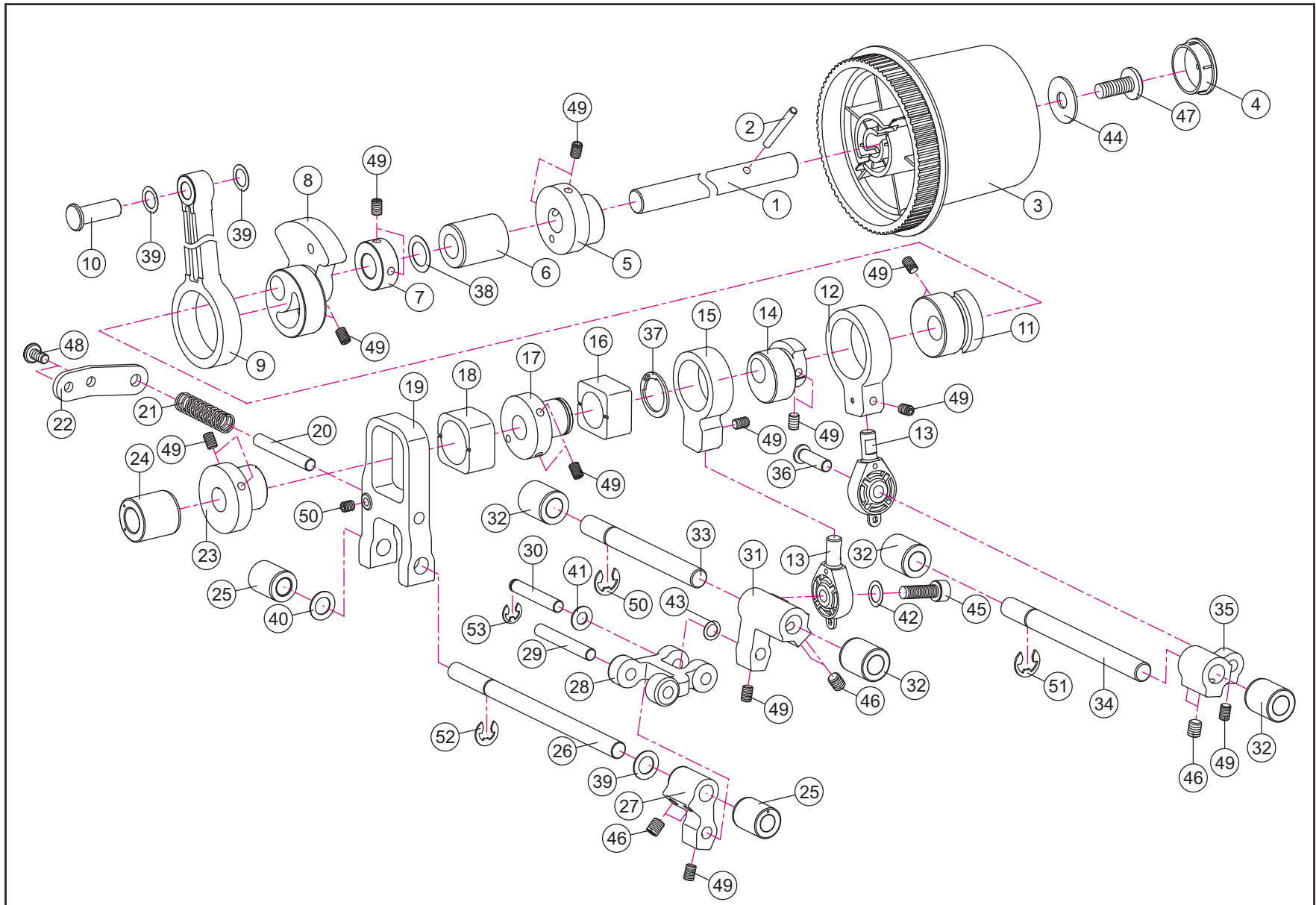
4. Side cover/ Flat bed extension/ Back cover/ Thread guide bar/ Spool stand Top cover/ Handle

No.	Parts No.	Parts Name
1	J1008-111~X	Back cover
2	J1012-111~X	Cloth plate
3	J1013-111~X	Attached extension table
4	J1014-111~X	Attached extension table attached plate
5	J1010-111-01	Side cover
6	H1116-111-01	Spool stand
7	H11252	Thread guides and holder
8	H1043	Extension bar setting
9	J1176-111-01	Top cover
10	H11302-01	Thread guide plate
11	J1009-111	Handle
12	J1115	Handle supporter set (A)
13	J1116	Handle supporter set (B)
14	J1150	Handle supporter pin
15	A1V01-111	Spool holder
16	H1030-111	Screw cap
17	G80752	Thread guide plate
18	ZW05.2W09A11	Washer
19	ZW04.3F10J02	Washer
20	ZM04L12W02	Set screw
21	ZM04L10W02	Set screw
22	ZM04L08A02	Set screw
23	ZM03L08F42	Set screw
24	ZE03T06E13	E ring
*25	H11252A	Thread guides and holder set (7, 8, 18, 20)
*26	J1176-111B	Top cover set (No.9.10.23 included)
*27	J1008P001A~X	Back cover set (No.1.23.26 included)
*28	J1013-111A~X	Attached extension table set (No. 3.4 included)



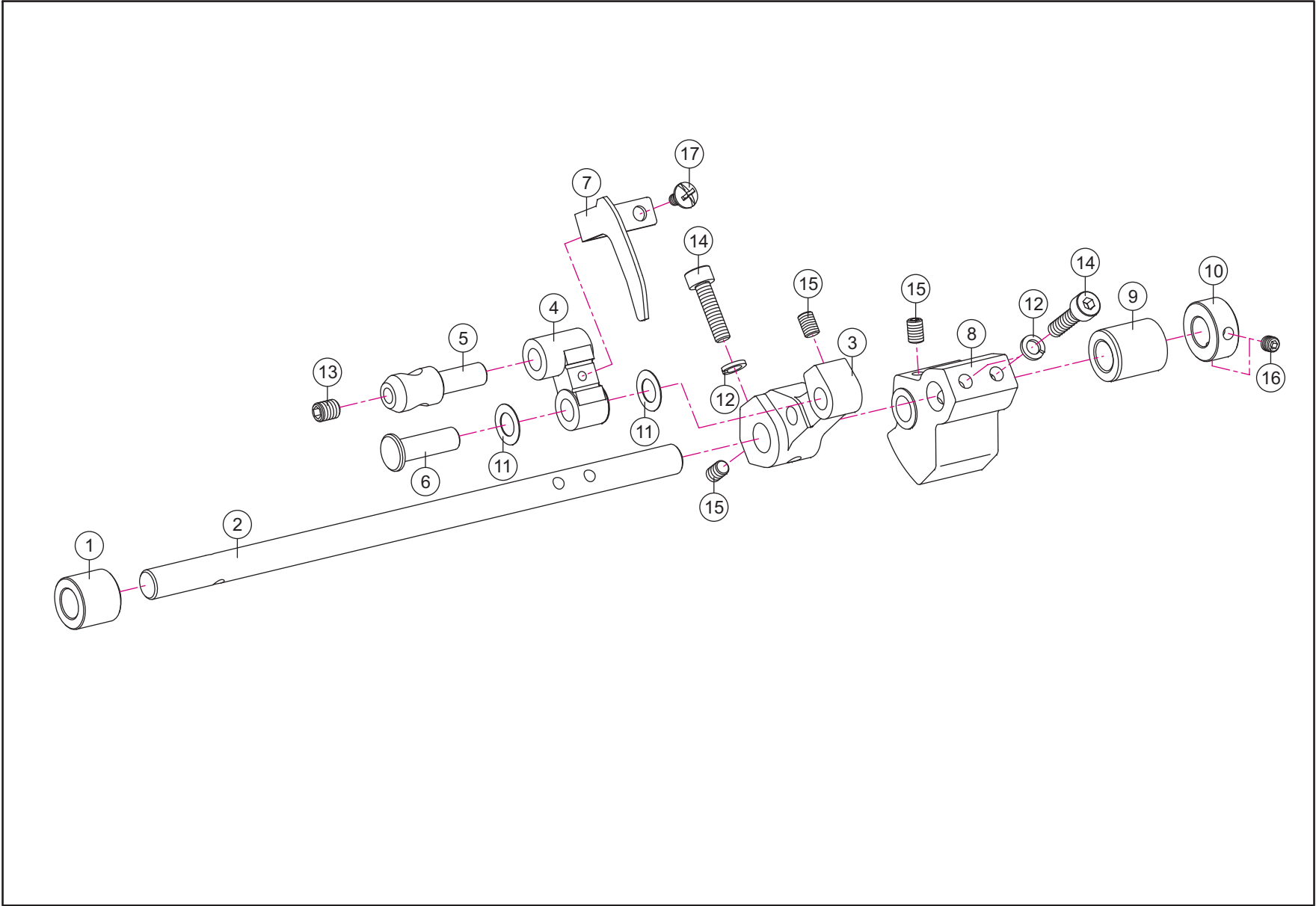
5. Machine frame/ Stitch plate

No.	Parts No.	Parts Name
1	J1002-01	Machine frame
2	A10371000	Needle bar bushing
3	G1265-01	Presser bar bushing
4	J1080	Stitch plate
5	J1178	Fixed lever
6	J1099	Fixed lever board
7	J1082	Stitch plate setting board
8	J1083	Front feed dog guide board
9	G1279	Set screw
10	J1183	Extension table cover
11	H1030-111	Screw cap
12	ZM04L10W02	Set screw
13	ZM04L08A02	Set screw
14	ZM04L06M71	Set screw
15	ZM04L04M71	Set screw
16	ZM03L05A03	Set screw
17	ZM02L04E44	Set screw
18	J1235-111	Frame cover
→ *19	J1080C	Stitch plate set (No. 4.5.6.16.17 included)



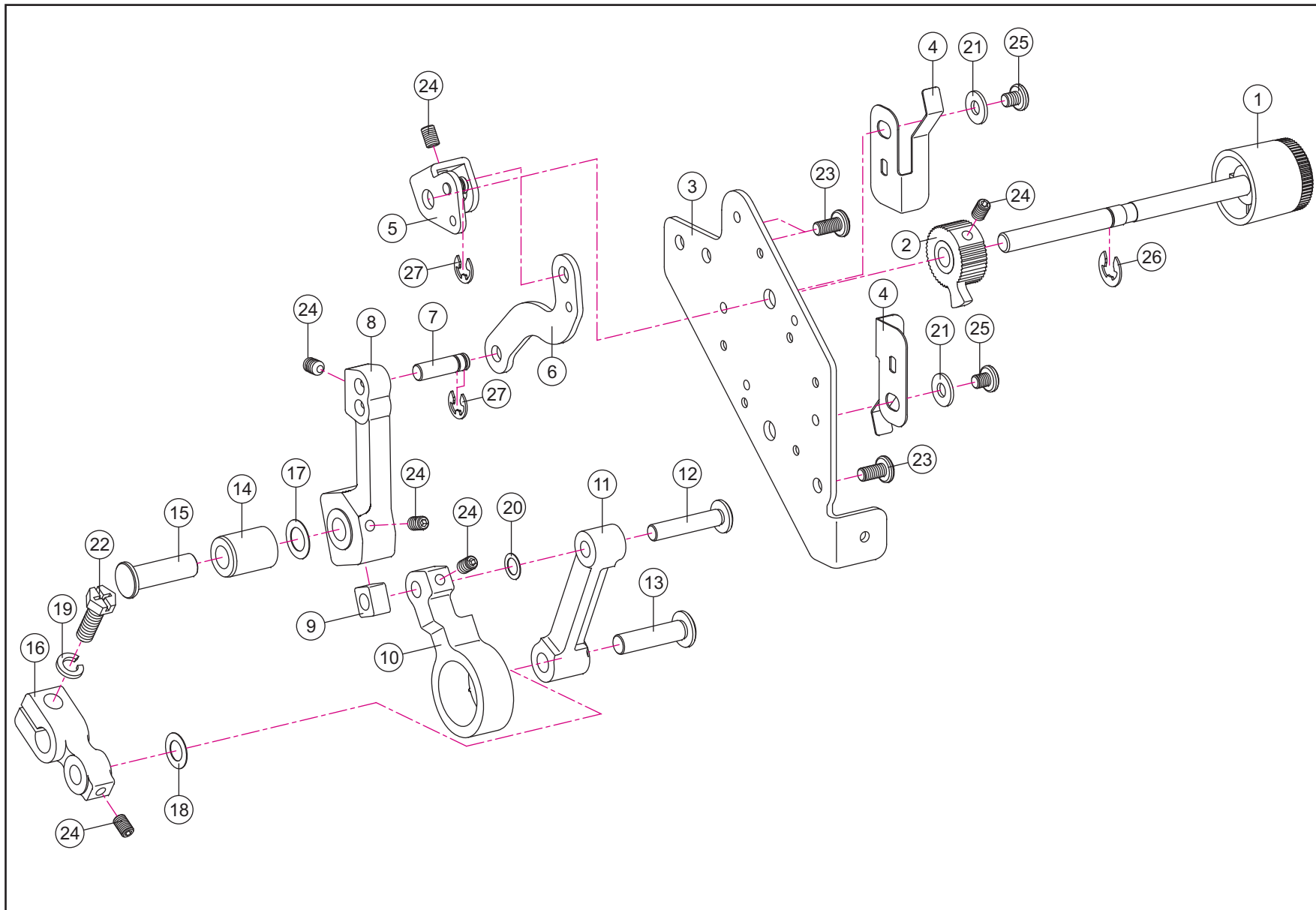
6. Main shaft

No.	Parts No.	Parts Name	No.	Parts No.	Parts Name
1	J1137	Main shaft	37	ZC15T0111	Ring
2	M1210	Pin	38	ZW10.2N15B00	Washer
3	J1027-111A~X	Hand wheel	39	ZW07.3N12B00	Washer
4	H1029-111~X	Handwheel cap	40	ZW07.3F12E01	Washer
5	A1018-01	Feed cam	41	ZW05.1F10F03	Washer
6	A1034-01	Bushing	42	ZW05.1F08H02	Washer
7	A10951001	Setting collar	43	ZW05.2N08B00	Washer
8	J1050	Needle bar cam	44	ZW04.1F14.5H03	Washer
9	A10081000	Needle bar link	45	ZM05L16J71	Set screw
10	A11201000	Needle bar link pin	46	ZM05L06M71	Set screw
11	A11571000	Looper cam (A)	47	ZM04L10A02	Set screw
12	J1041	Upper looper shake link	48	ZM04L08A02	Set screw
13	G12932	Bearing	49	ZM04L06M71	Set screw
14	G1035-1	Lower looper cam	50	ZM04L04M71	Set screw
15	J1062	Lower looper link (B)	51	ZE06T08E13	E-ring
16	A40041000	Feed dog supporter slide block	52	ZE05T06E13	E-ring
17	J1051	Feed dog cam	53	ZE04T06E13	E-ring
18	J1047	Cover looper cam slide block	*54	A1018-01S	Bushing set (No. 5.49 included)
19	J1046	Axial driver	*55	A1095S	Setting collar set (No. 7.49 included)
20	G1031	Waver link pin (B)	*56	J1050S	Needle bar cam set (No. 8.49 included)
21	J1180	Spring	*57	A1157S	Looper cam (A) set (No. 11.49 included)
22	J1048	Axial locating board	*58	J1041S	Upper looper shake link set (No. 12.49 included)
23	J1052	Cover looper cam	*59	G1035-1S	Lower looper cam set (No. 14.49 included)
24	J1151	Bushing	*60	J1062S	Lower looper link (B) set (No. 15.49 included)
25	J1163	Busing	*61	J1051S	Feed dog cam set (No. 17.49 included)
26	J1132	Cover looper shaft	*62	J1046S	Axial driver (No. 19.50 included)
27	J1162	Cover looper connecting arm (C)	*63	J1052S	Cover looper cam set (No. 23.49 included)
28	J1044	Cover looper connecting arm (B)	*64	J1162S	Cover looper connecting cam (C) set (No. 27.46.49 included)
29	G1031	Waver link pin (B)	*65	J1043S	Cover looper drive bar set (No. 31.46.49 included)
30	J1139	Cover looper drive bar pin	*66	G2041S	Looper shaft link (B) set (No. 35.46.49 included)
31	J1043	Cover looper drive bar			
32	G1040-01	Bushing			
33	J1189	Cover stitch driving shaft			
34	J1133	Upper looper shaft			
35	G2041	Looper shaft link (B)			
36	A10791000	Looper shaft link pin			



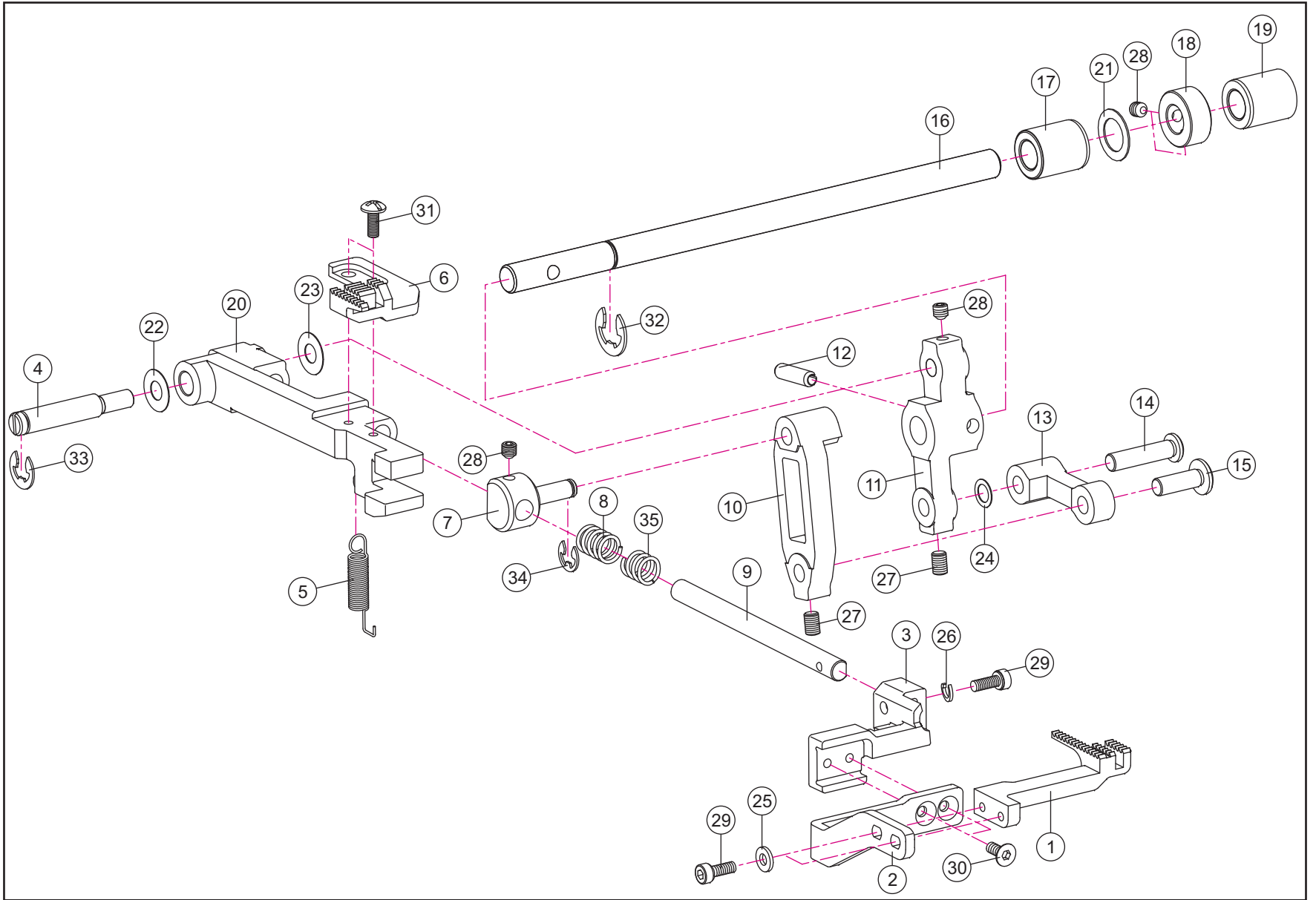
7. Needle bar connecting arm

No.	Parts No.	Parts Name
1	H1026-01	Bushing
2	J1134-01	Needle bar drive link shaft
3	J1103-01	Needle bar drive link(L)
4	G1089	Needle bar connecting arm
5	G1088	Needle bar setting link
6	G1383-01	Feed drive link pin (B)
7	G2056	Needle bar thread take-up lever
8	J1104	Needle bar drive link(R)
9	G1040-01	Bushing
10	A10961000	Setting collar
11	ZW06.2N11B00	Washer
12	ZW04S07J12	Washer
13	ZM05L06M71	Set screw
14	ZM04L16Q71	Set screw
15	ZM04L06M71	Set screw
16	ZM04L04M71	Set screw
17	ZM03L06E04	Set screw
* 18	J1103-01S	Needle bar drive link set (L) (No. 3.16 included)
* 19	G1088S	Needle bar setting link set (No. 5.14 included)
* 20	J1104S	Needle bar drive link set (R) (No. 8.16 included)
* 21	A1096S	Setting collar set (No. 10.17 included)



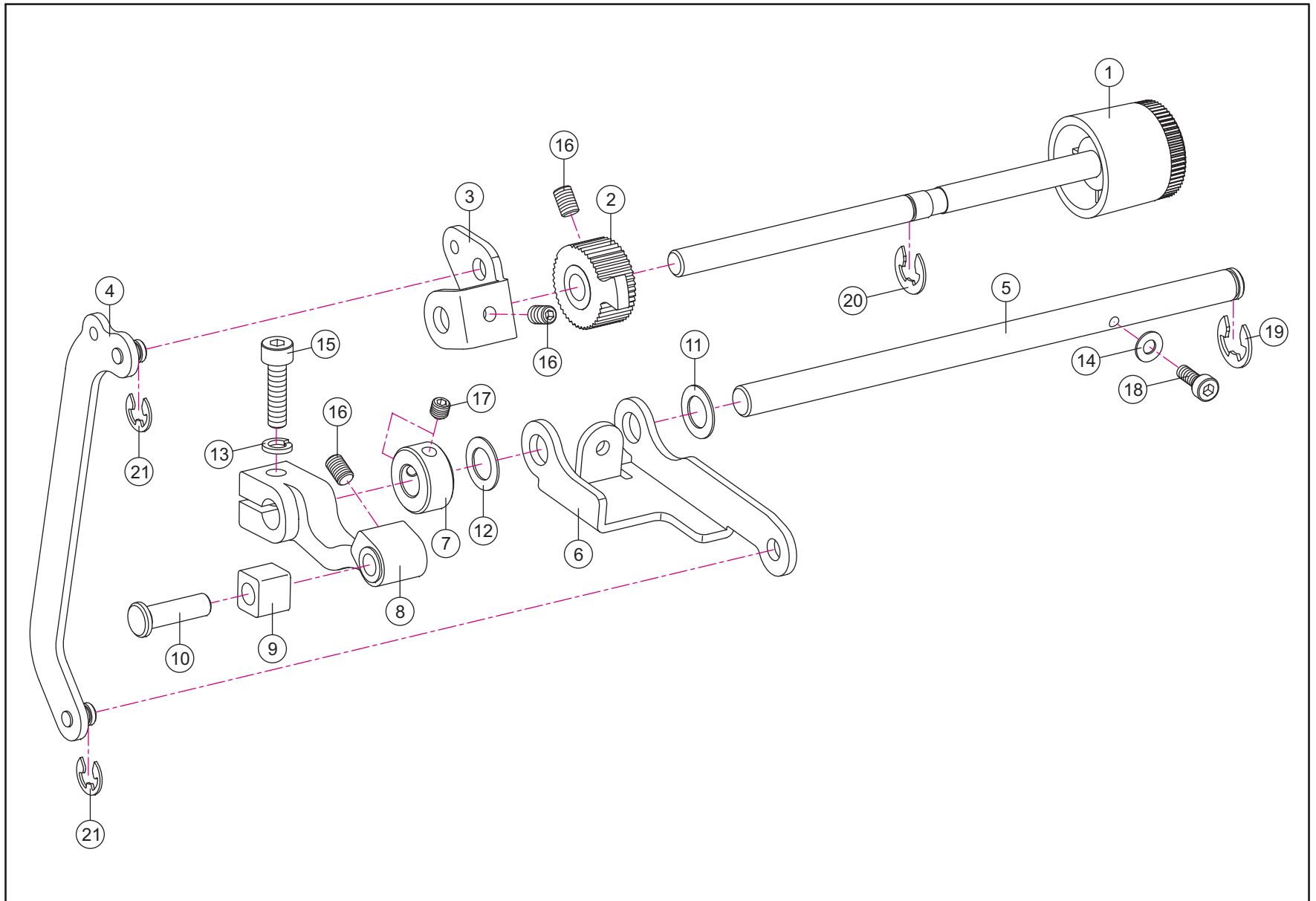
8. Stitch length dial

No.	Parts No.	Parts Name
1	J1021P001~X	Stitch length dial
2	J1152	Locating collar
3	J1117	Feed regulate holder
4	J1125	Locating spring
5	J11182	Feed regulate link set
6	J1119	Feed regulate shake link
7	G1344	Feed regulate link pin
8	G1347	Feed slide holder
9	G1099	Feed slide block
10	G1349	Feed driving lever
11	G1351	Feed shake link
12	G1055	Feed dog holder pin
13	G1352	Feed shake link pin
14	A10411000	Bushing
15	A1086-01	Feed regulate holder shaft
16	G1358	Feed link
17	ZW07.3N12B00	Washer
18	ZW06.2N11B00	Washer
19	ZW05.1S08.3L12	Washer
20	ZW05.2N08B00	Washer
21	ZW04.3F10J02	Washer
22	ZM05L15P42	Set screw
23	ZM04L08A02	Set screw
24	ZM04L06M71	Set screw
25	ZM04L04.5A04	Set screw
26	ZE05T06E13	E ring
27	ZE04T06E13	E ring
*28	J1152S	Locating collar set (No. 2.24 included)
*29	J1118S	Feed regulate link set (No. 5.24 included)
*30	G1347S	Feed slide holder set (No. 8.24 included)
*31	G1349S	Feed driving lever set (No. 10.24 included)
*32	G1358S	Feed link set (No. 16.19.22.24 included)



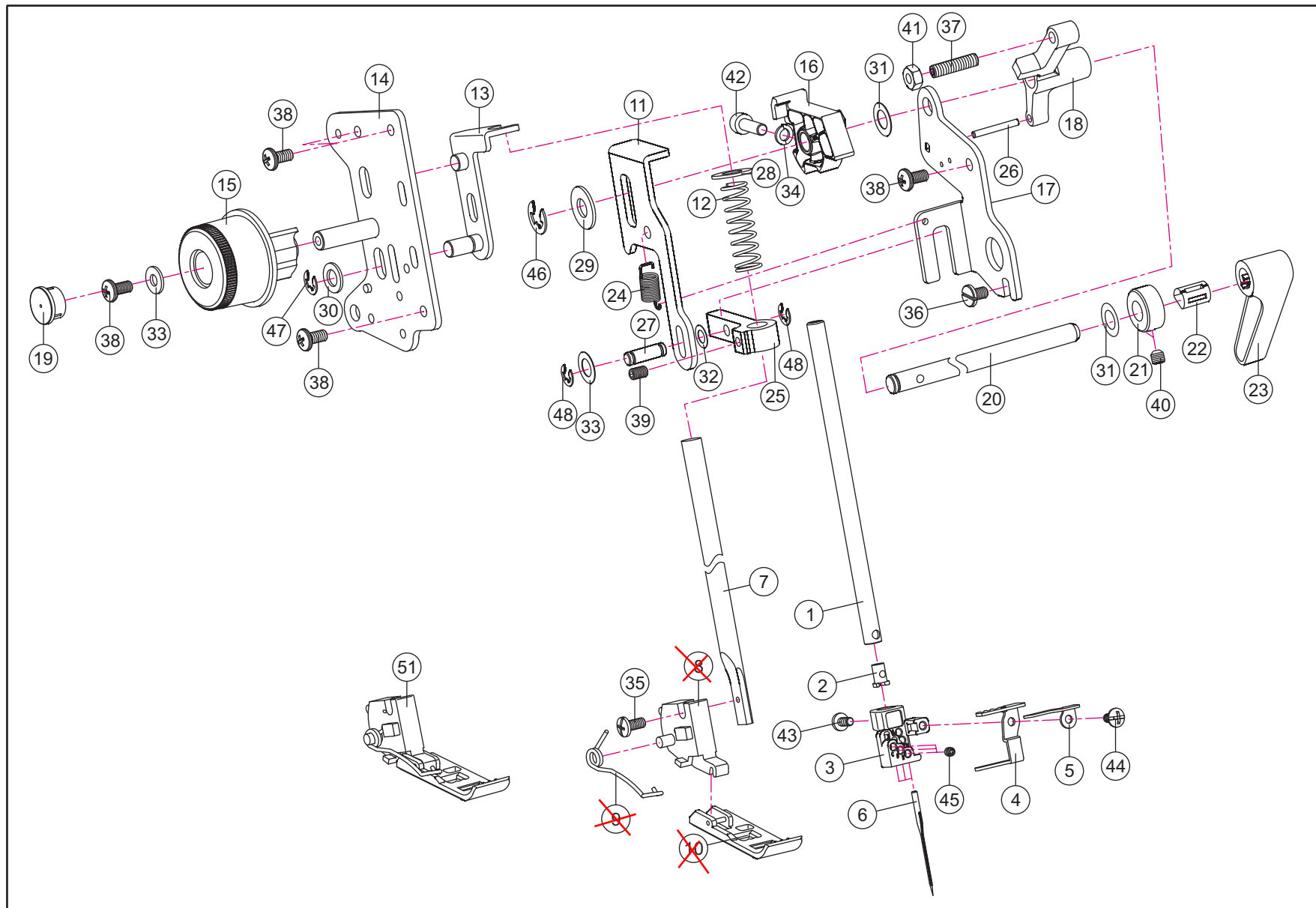
9. Feed dog

No.	Parts No.	Parts Name	No.	Parts No.	Parts Name
1	J1037	Feed dog (front)	31	ZM03L08E71	Set screw
2	J1036	Feed dog supporter (front)	32	ZE07T08E13	E ring
3	J1035	Feed dog holder (front)	33	ZE05T06E13	E ring
4	J1038	Eccentric pin	34	ZE04T06E13	E ring
5	J1121	Feed dog holder spring	35	J1192	Spring
6	J1032-01	Feed dog holder (rear)	*36	J1034S	Feed dog driving lever set (No. 7.28 included)
7	J1034	Feed dog driving lever	*37	G1045S	Differential feed slide holder set (No. 10.27 included)
8	J1167	Spring	*38	J1160S	Feed dog shake link set (No.11.27.28 included)
9	J1033	Feed dog shaft	*39	A1096S	Setting collar set (No.18.33 included)
10	G1045	Differential feed slide holder			
11	J1160	Feed dog shake link			
12	ZD04L16A11	Spring pin			
13	J1040	Differential feed link			
14	G1050	Differential feed link			
15	J1061	Differential feed link pin			
16	J1123	Differential feed link pin			
17	G1040-1-01	Bushing			
18	A10961001	Setting collar			
19	G1040-01	Bushing			
20	J1031	Feed dog holder			
21	ZW08.2N12B00	Washer			
22	ZW06.5F10E01	Washer			
23	ZW05.5N12B00	Washer			
24	ZW05.2N08B00	Washer			
25	ZW03.2F07J03	Washer			
26	ZW03.1S05G13	Washer			
27	ZM04L06M71	Set screw			
28	ZM04L04M71	Set screw			
29	ZM03L08Q71	Set screw			
30	ZM03L08J71	Set screw			



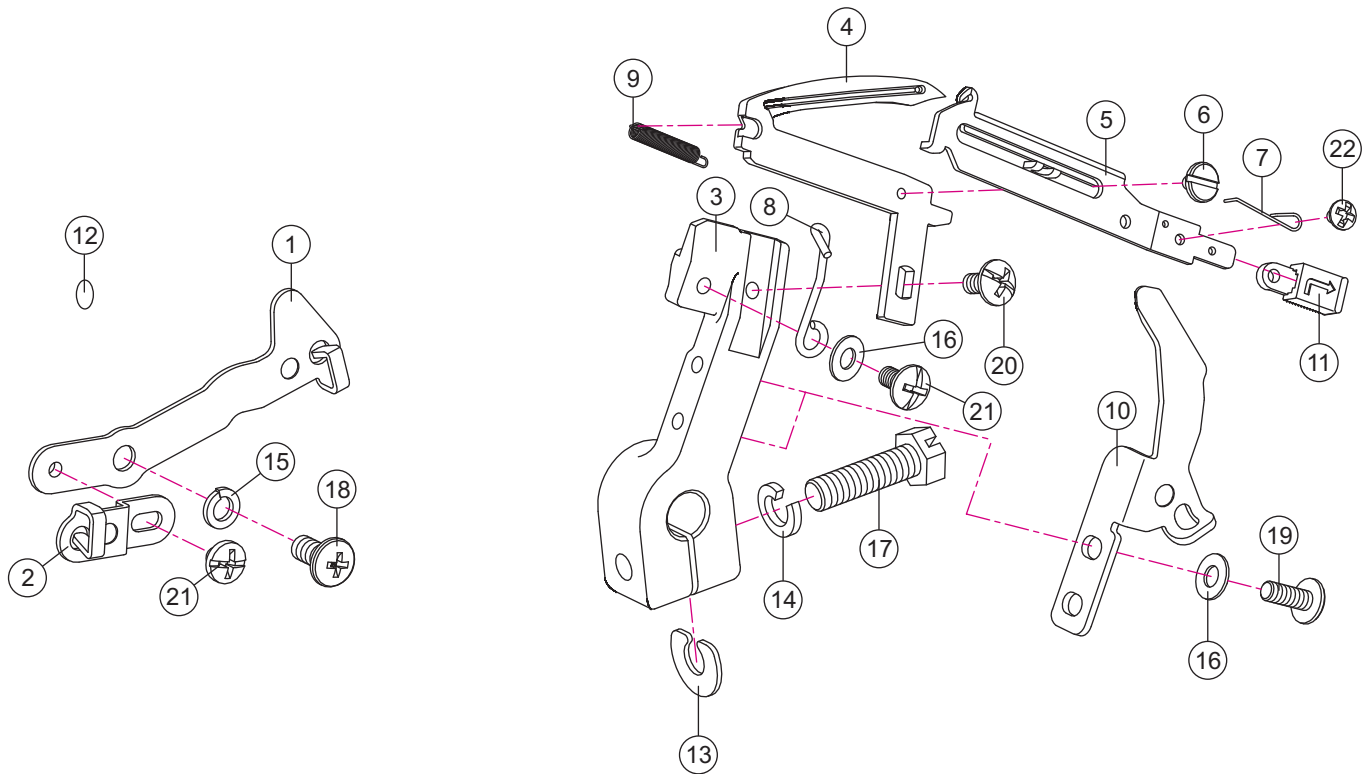
10. Differential feed dial

No.	Parts No.	Parts Name
1	J1022-111~X	Differential feed dial
2	J1152	Locating collar
3	J1054	Differential feed regulator (A)
4	J10552	Differential feed regulated link set
5	J1058	Differential feed regulated shaft
6	J1056	Differential feed regulator (B)
7	A10941001	Setting collar
8	J1159	Differential feed regulated holder
9	G1046	Differential feed slide block
10	A10791000	Looper shaft link pin
11	ZW07.3F12E01	Washer
12	ZW07.3N12B00	Washer
13	ZW04S07J12	Washer
14	ZW03.2F07E03	Washer
15	ZM04L16Q71	Set screw
16	ZM04L06M71	Set screw
17	ZM04L04M71	Set screw
18	ZM03L08Q71	Set screw
19	ZE06T08E13	E ring
20	ZE05T06E13	E ring
21	ZE04T06E13	E ring
*22	J1152S	Locating collar set (No. 2.16 included)
*23	J1054S	Differential feed regulator (A) set (No. 3.16 included)
*24	A1094S	Setting collar set (No. 7.17 included)
*25	J1159S	Differential feed regulated holder set (No. 8.13.15.16 included)



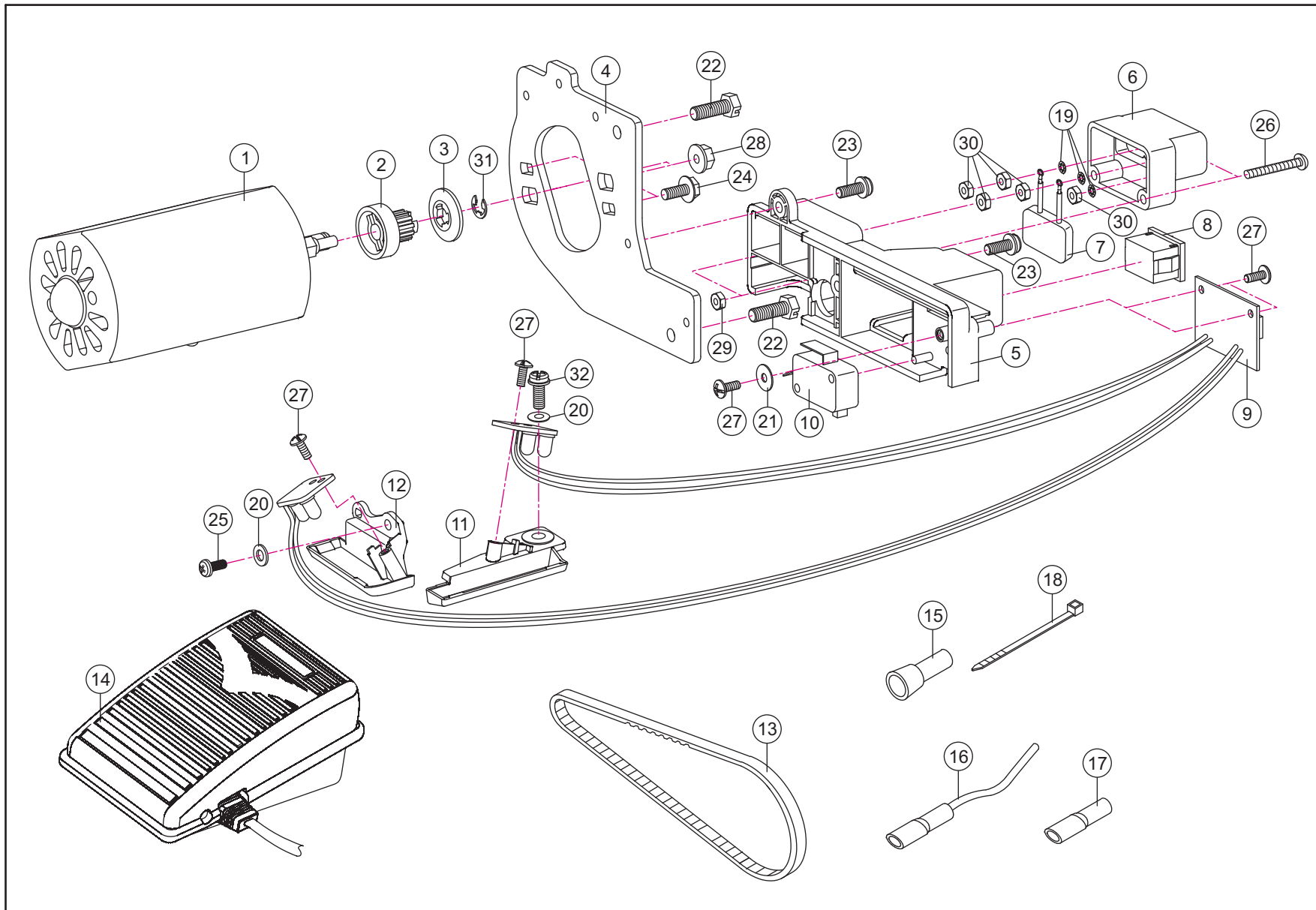
11. Needle bar/ Presser bar/ Presser foot

No.	Parts No.	Parts Name	No.	Parts No.	Parts Name
1	G1362	Needle bar	29	ZW06.4F14J02	Washer
2	G1361-01	Needle clamp nut	30	ZW06.1F11J11	Washer
3	G1360	Needle clamp	31	ZW06.2N11B00	Washer
4	G1249	Needle clamp thread guide	32	ZW04.1N08B00	Washer
5	G1249-1	Thread guide attached plate	33	ZW04.3F10J02	Washer
6	A1K044000	Needle	34	ZW03.1S05G13	Washer
6	A1K014000	Needle	35	Z0964L08A14	Set screw
6	A1K051000	Needle	36	G1279	Set screw
6	A1K06	Needle	37	ZM04L16L71	Set screw
7	G1266	Presser bar	38	ZM04L08A02	Set screw
8	A1A021004	Presser bar holder	39	ZM04L06M71	Set screw
9	G1022	Spring	40	ZM04L04M71	Set screw
10	G1281	Presser foot	41	ZM04H02.4H03	Set screw
11	J1109	Presser bar lifting plate	42	ZM03L10Q71	Set screw
12	G2066	Presser bar spring	43	ZM03L06A04	Set screw
13	J11102	Pressure regulator	44	ZM03L06E04	Set screw
14	J11082	Needle bar locate support	45	ZM03L04N71	Set screw
15	J1020P001~X	Presser bar dial	46	ZE05T06E13	E ring
16	J1106	Presser bar lifter	47	ZE04T06E13	E ring
17	J1158-01	Presser bar setting bar holder	48	ZE03T06E13	E ring
18	J1105	Release drive link	49	G1362R	Needle clamp set (No.1.2.3.4.5.43.44.45 included)
19	H1030-111	Screw cap	50	G1362I	Needle clamp set (No.6.49 included)
20	J1136	Presser bar control shaft	51	G12812	Presser foot set (No.8.9.10 included)
21	G2040	Setting collar	52	J1105A	Release drive link set (No.18.26.37.41 included)
22	J1097	Spring	* 53	J1142S	Presser bar setting link swt (No.25.39 included)
23	J1024-111~X	Presser bar handle	54	J1024-111A~X	Presser bar handle set (No.22.23 included)
24	J1144	Presser bar lifting plate spring	* 55	G2040S	Setting collar set (No.21.40 included)
25	J1142	Presser bar setting link			
26	G1144	Pin			
27	J1059	Presser bar setting link pin			
28	ZW07.3F15J03	Washer			



12. Cover looper

No.	Parts No.	Parts Name
1	G1120	Cover looper thread take-up lever D
2	G1121	Cover looper thread take-up lever E
3	J1066	Cover looper supporter
4	J1067	Cover looper
5	J1069	Cover looper thread guide
6	J1070	Slide shaft
7	J1071	Spring
8	J1079	Spring
9	J1078	Spring
10	J1068	Cover looper protect board
11	J1165-111	Thread guide cap
12	A11481499	Color sticker (brown)
13	G1287	Washer
14	ZW05.1S08.3L12	Washer
15	ZW04S07J12	Washer
16	ZW03.2F07E03	Washer
17	ZM05L18P02	Set screw
18	ZM04L06A04	Set screw
19	ZM03L08E71	Set screw
20	ZM03L06E04	Set screw
21	ZM03L03A03	Set screw
22	ZM02L03C43	Set screw
* 23	G1120A	Cover looper thread take-up lever set (No. 1.2.12.20 included)
* 24	J1066S	Cover looper supporter set (No. 3.13.14.17 included)

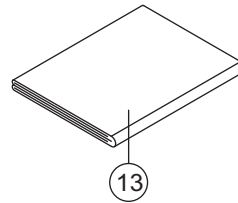
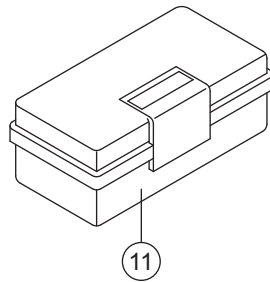
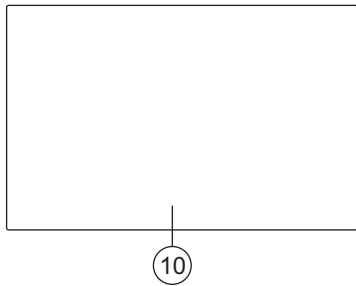
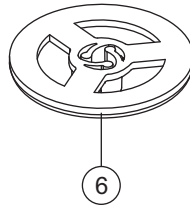
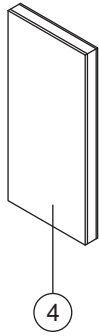
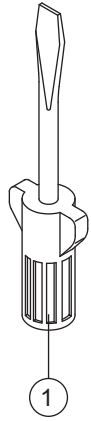


13. Electronic parts

No.	Parts No.	Parts Name	No.	Parts No.	Parts Name
1	3M-803A404	Motor (100V)	14	4C-326G25	Foot controller (240V) U.K.
1	KM-6390U	Motor (115V)	14	4C-326G26	Foot controller (220V) Philippines
1	WM-298I-926	Motor (220V/ 60Hz/ 90W)	14	4C-326G35	Foot controller (240V) Saudi Arabia
1	WM-298I-9	Motor (230V/ 50Hz/ 90W)	14	4C-326G36	Foot controller (240V) India
1	WM-298D-9S	Motor (230V/ 60Hz/ 120W)	15	EE0191000	C4 End terminal
2	A11411000	Timing belt pulley	16	EE0501000	Terminal W/transparent insulation tube
3	A11421000	Timing belt pulley cover	17	EE0511184	Terminal W/un-transparent insulation tube
4	J1128-01	Motor supporter	18	EE0112004	Cord clip
5	J1028-111	Switch supporter	19	M9838	Washer
6	M6834Z	Machine socket	20	ZW04.3F10J02	Washer
6	3SRF-2	Machine socket	21	ZW03.3F10J02	Washer
7	KC98-18	Condenser	22	ZM05L15P42	Set screw
7	KC98-18S	Condenser	23	ZM04L10W02	Set screw
8	EE378	Switch	24	ZM04L10R42	Set screw
9	J11302	LED PCB (115V)	25	ZM04L08A02	Set screw
9	J11572	LED PCB (230V)	26	ZM03L20C43	Set screw (M6834Z)
9	J12132	LED PCB (220V)	26	ZM03L22C42	Set screw (3SRF-2)
10	EE619	Micro switch	27	ZM03L08F42	Set screw
11	J1174	LED PCB holder (B)	28	ZM04H05F02	Nut (115V)
12	J1173	LED PCB holder (A)	29	ZM03H02.5H03	Nut (230V)
13	H1011	Timing belt	30	ZM03H02.4H03	Nut (100V*3PCS /120V*3PCS / 220V~240V*5PCS)
14	4C-315A221	Foot controller (100V) Japan	31	ZE04T06E13	E ring
14	4C-316B22	Foot controller (115V) U.S.A.	32	ZM04L10A02	Set screw
14	4C-316C24	Foot controller (220V) Argentina			
14	4C-316C26	Foot controller (220V) Korea			
14	4C-316C28	Foot controller (220V) The Middle East			
14	4C-316C38	Foot controller (220V) The Middle East-Grey			
14	4C-326C22	Foot controller (220V) South Africa			
14	4C-326C23	Foot controller (240V) Aus.& New Zealand			
14	4C-326G22	Foot controller (220V) Europe			
14	4C-326G24	Foot controller (220V) Argentina			

PREFIXO "ML" PREFIXO "ML" PREFIXO "ML"

PREFIXO "ML" PREFIXO "ML" PREFIXO "ML"



14. Accessories

No.	Parts No.	Parts Name
1	A1F011211	Flat blade screw driver
2	A1E011000	Oiler
3	A1I011000	Brush
4	A1K053000	Needle set
4	600172-000	Needle set
4	A1K082	Needle set
4	A1J013000	Needle set
5	A1L011000	Anti-spill net
6	A1C01-111	Thread unwinding spool cap
7	H10422-01	Needle threader
8	A1V011-111	Screw driver
9	H1032	Tweezers
10	J1222	Stitch tension sticker
11	G2071	Accessory box
12	A1V011-111	Spool holder
13	J1172	Dust cover
14	G2064-111	Chip box
	G	A

