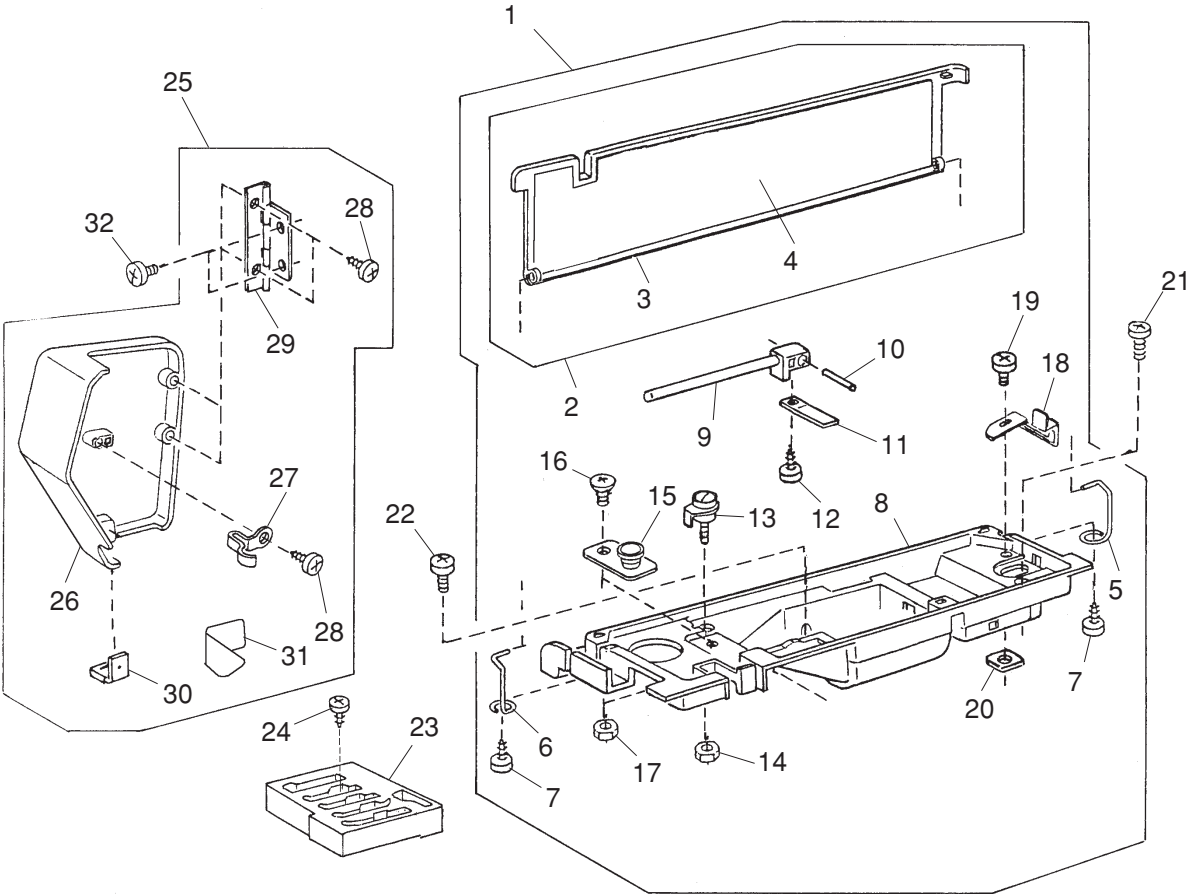


PARTS LIST

MODEL: 306

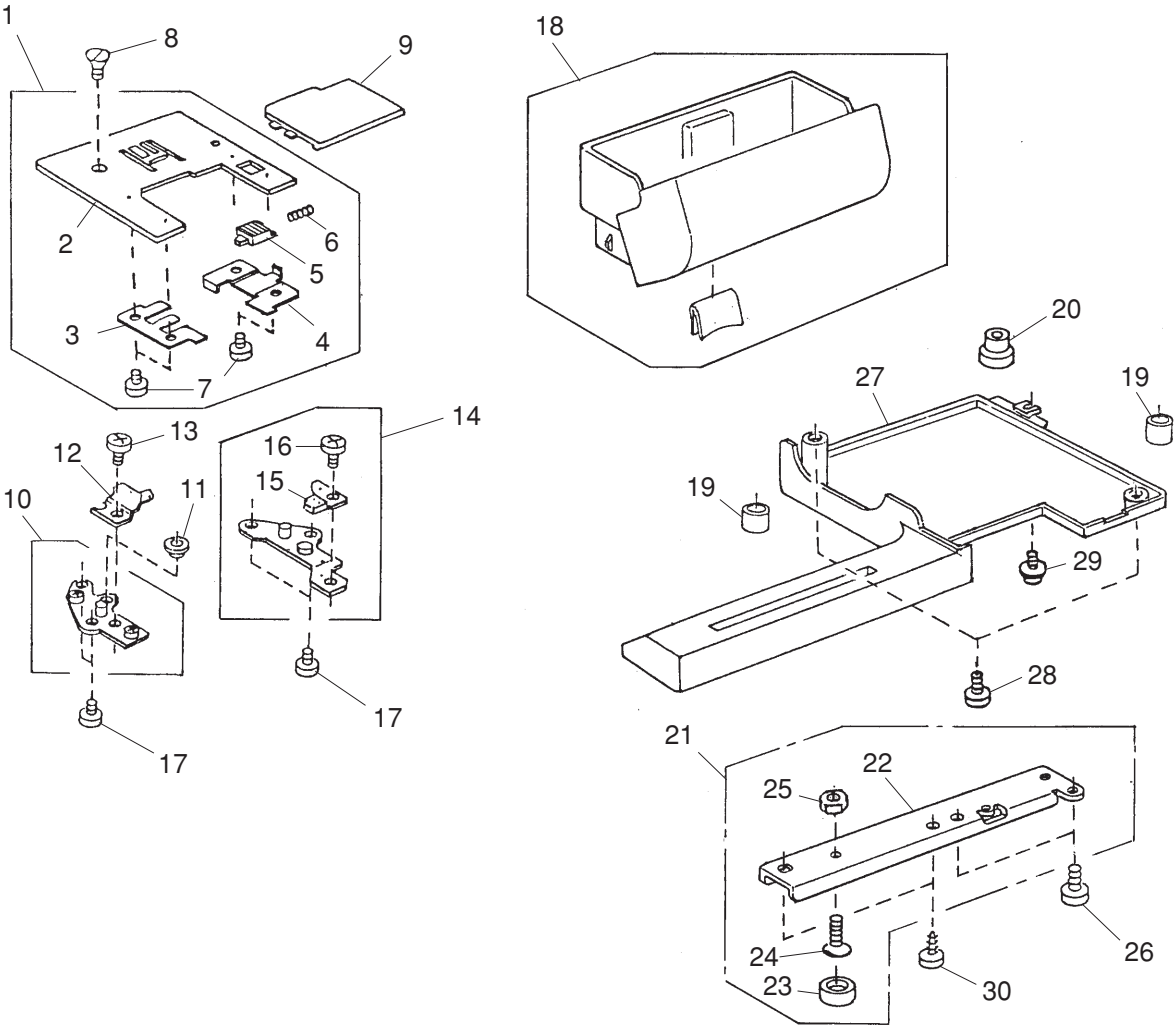
PARTS LIST



PARTS LIST

KEY NO.	PARTS NO.	DESCRIPTION
1	753604854	TOP COVER (UNIT)
2	753605958	TOP COVER (UNIT)
3	753012000	TOP COVER
4	757003000	FLIP-TOP SEWING INSTRUCTION PANEL
5	753014002	HINGE ROD (RIGHT)
6	753129001	HINGE ROD (LEFT)
7	000120203	TAPPING SCREW 3X8 (B)
8	753015003	TOP COVER BODY
9	822016609	SPOOL PIN
10	822017002	PIN
11	822018003	SPRING
12	000107318	TAPPING SCREW 3X8 (B)
13	730501011	BOBBIN WINDER THREAD GUIDE (UNIT)
14	000160102	ADJUSTABLE NUT 4
15	753502002	TOP COVER THREAD GUIDE HOLDER (UNIT)
16	693093006	FLAT SCREW
17	000062701	NUT
18	687022005	BOBBIN WINDER STOPPER
19	000066727	SETSCREW 3X8
20	630005006	NUT
21	000170507	SETSCREW 4X12
22	000080901	SETSCREW 4X25
23	754044004	FOOT CONTAINER
24	000120214	TAPPING SCREW 3X8 (B)
25	757602201	FACE COVER (UNIT)
26	757004001	FACE COVER
27	731067002	FACE COVER SPRING
28	000161206	TAPPING SCREW 3X10B
29	366501102	FACE COVER HINGE (UNIT)
30	840602006	THREAD CUTTER (UNIT)
31	724025006	REFLECTING PLATE (2)
32	000081119	SETSCREW 4X6

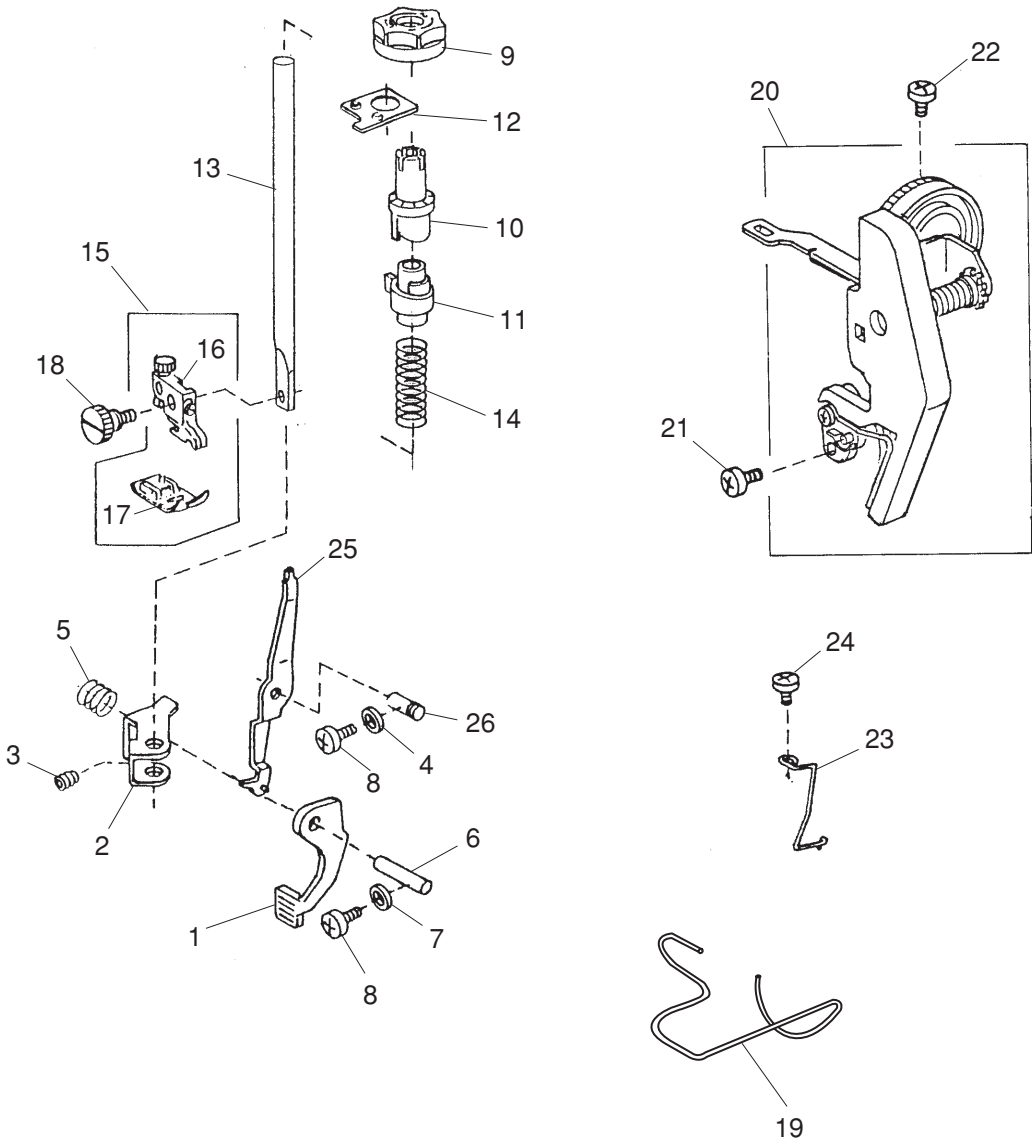
PARTS LIST



PARTS LIST

KEY NO.	PARTS NO.	DESCRIPTION
1	754636102	NEEDLE PLATE UNIT
2	754052108	NEEDLE PLATE
3	PREFISSO "J" 752005007	HOOK COVER PLATE HOLDER (LEFT)
4	825015010	HOOK COVER PLATE HOLDER (RIGHT)
5	825016000	HOOK COVER PLATE RELEASE BUTTON
6	825017001	HOOK COVER PLATE HOLDER SPRING
7	820374004	SETSCREW 2X2.3
8	PREFISSO "J" 820390109	SETSCREW
9	750036012	HOOK COVER PLATE
10	650602001	NEEDLE PLATE ADJUSTING PLATE (LEFT)
11	PREFISSO "J" 822314002	NUT
12	822011109	BOBBIN HOLDER STOPPER
13	000103808	SETSCREW 3X5
14	650603002	NEEDLE PLATE ADJUSTING PLATE (RIGHT)
15	PREFISSO "J" 627567001	SHUTTLE HOOK STOPPER UNIT
16	810220003	SETSCREW
17	000107503	TAPPING SCREW 4X6
18	PREFISSO "J" 757501003	EXTENSION TABLE UNIT
19	647009002	BED RUBBER CUSHION
20	735003002	RUBBER BASE
21	753641004	ARM SOLE UNIT
22	753002007	ARM SOLE
23	PREFISSO "J" 735002001	RUBBER CUSHION
24	000097303	FLAT SCREW 5X20
25	000061319	NUT
26	000066808	SETSCREW 6X14
27	753003019	BASE
28	000081005	SETSCREW 4X8
29	000115205	TP SCREW 4X6
30	000075604	TAPPING SCREW 4X12

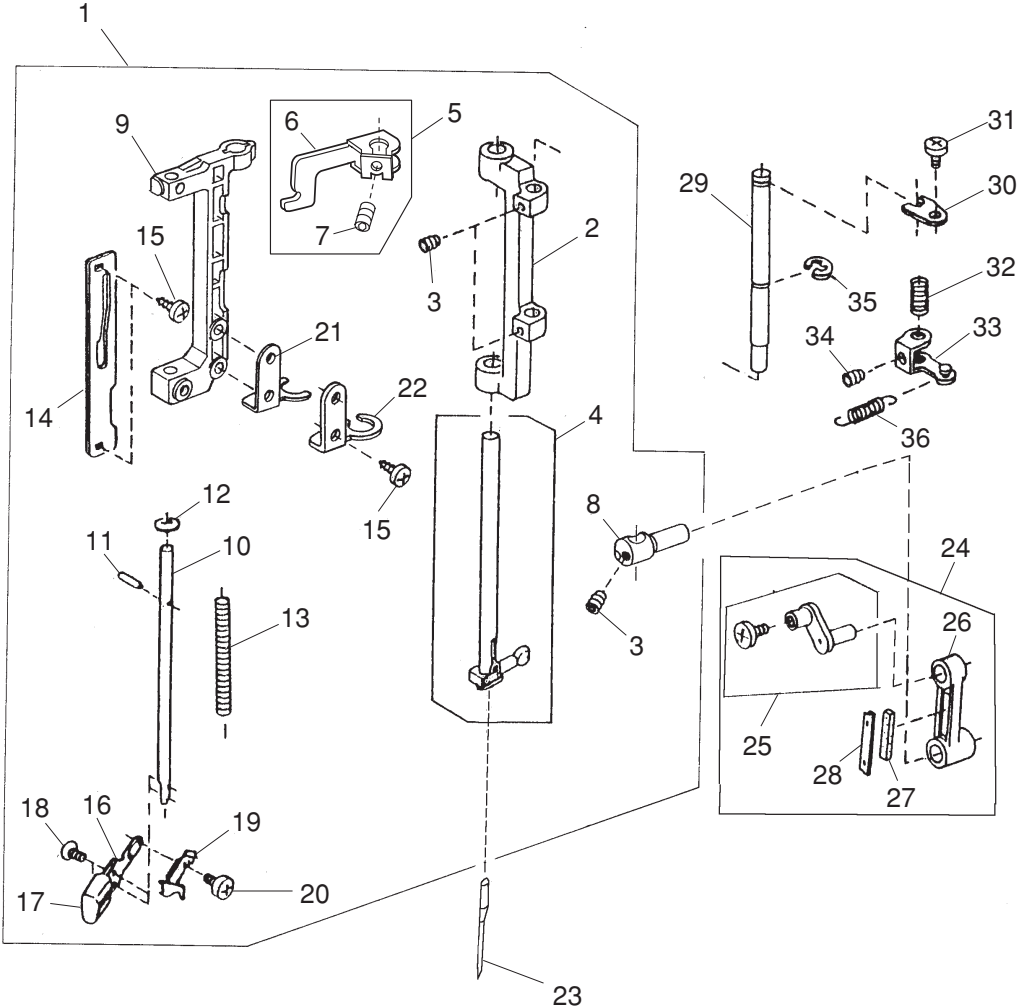
PARTS LIST



PARTS LIST

KEY NO.	PARTS NO.	DESCRIPTION
1	652145007	PRESSER FOOT LIFTER
2	686074009	PRESSER BAR BRACKET
3	000111108	HEXAGONAL SOCKET SCREW
4	671060006	WASHER
5	102222009	DARNER SPRING
6	822072005	PRESSER BAR LIFTER PIN
7	000072302	WASHER
8	000081005	SETSCREW 4X8
9	822065005	PRESSER DIAL
10	686027007	PRESSER ADJUSTING CAM (1)
11	686028008	PRESSER ADJUSTING CAM (2)
12	824009007	PRESSER ADJUSTING CAM HOLDER
13	102801008	PRESSER BAR
14	840129004	PRESSER BAR SPRING
15	829515006	PRESSER FOOT (UNIT)
16	804509000	PRESSER FOOT HOLDER (UNIT)
17	832523007	ZIGZAG FOOT (UNIT)
18	647112009	THUMB SCREW
19	687803101	FINGER GUARD
20	757502004	THREAD TENSION DIAL (UNIT)
21	000101703	SETSCREW 4X12
22	000115205	TP SCREW 4X6
23	652137006	ARM THREAD GUIDE (2)
24	000101404	SETSCREW 4X6
25	652146008	THREAD TENSION RELEASE LEVER
26	652042003	THREAD TENSION RELEASE LEVER PIN

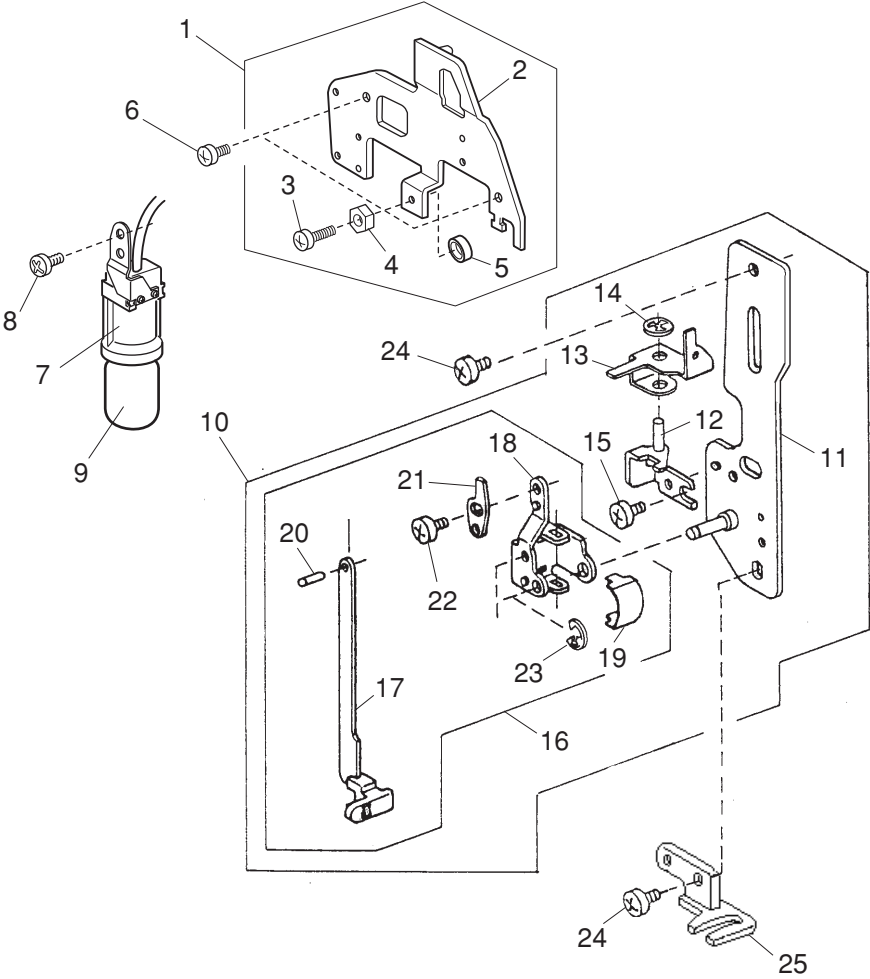
PARTS LIST



PARTS LIST

KEY NO.	PARTS NO.	DESCRIPTION
1	751606001	NEEDLE BAR SUPPORTER (UNIT)
2	751014006	NEEDLE BAR SUPPORTER
3	PREFISSO "J" 000111201	HEXAGONAL SOCKET SCREW 4X4
4	751630004	NEEDLE BAR (UNIT)
5	807607019	THREADER POSITION SET PLATE (UNIT)
6	807018109	THREADER POSITION SET PLATE
7	000111902	HEXAGONAL SETSCREW 3X4
8	PREFISSO "J" 751047008	NEEDLE BAR CONNECTING STUD COMPLETE
9	751017009	THREADER FRAME
10	751018000	THREADER BAR
11	PREFISSO "J" 000122906	PIN
12	734107004	HOLDING PLATE
13	827091005	THREADER BAR SPRING
14	653036029	THREADER GUIDE PLATE
15	PREFISSO "J" 000161206	SETSCREW 3X10B
16	734096009	THREADER LEVER
17	734097000	THREADER KNOB
18	PREFISSO "J" 000097602	SETSCREW 2X4
19	734515009	THREADER PLATE (UNIT)
20	000105501	SETSCREW 1.6X2.5
21	751101001	THREADER FRAME SPRING
22	PREFISSO "J" 751019001	THREADER FRAME (LOWER)
23	102408089	NEEDLE
24	846615000	NEEDLE BAR CRANK PIN (UNIT)
25	PREFISSO "J" 652512009	NEEDLE BAR CRANK (UNIT)
26	650039001	NEEDLE BAR CRANK ROD
27	650040005	OIL FELT
28	650041006	FELT HOLDER SPRING
29	650033005	SUPPORTER SHAFT
30	PREFISSO "J" 650034006	SUPPORTER SHAFT SET PLATE
31	000101404	SETSCREW 4X6
32	650036008	SPRING
33	650035007	ZIGZAG WIDTH CRANK
34	000111108	HEXAGONAL SOCKET SCREW 4X6
35	000001609	SNAP RING E-5
36	686085003	SPRING

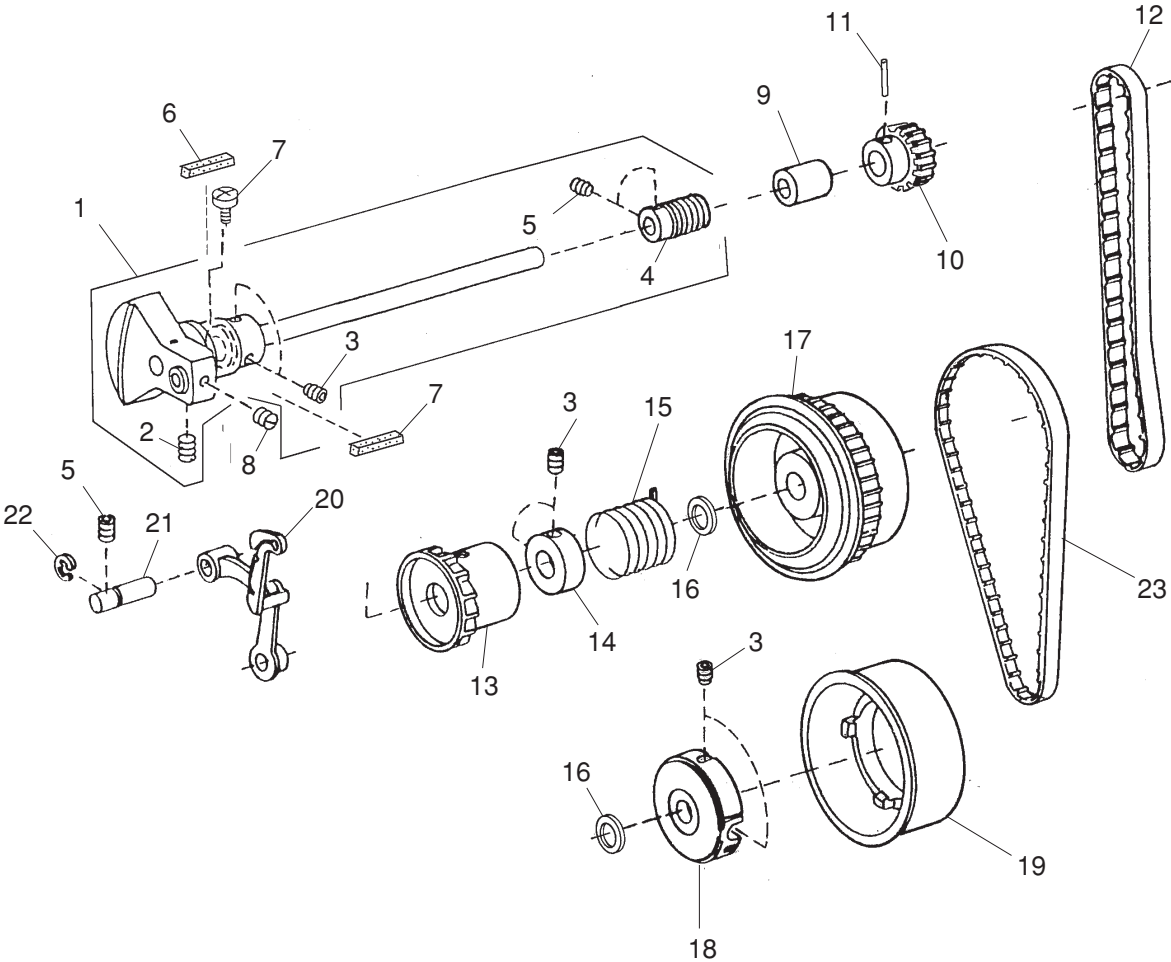
PARTS LIST



PARTS LIST

KEY NO.	PARTS NO.	DESCRIPTION
1	757603006	FACE PLATE BASE (UNIT)
2	757005002	FACE PLATE BASE
3	PREFISSO "J" 000097200	SETSCREW 4X12
4	000160102	ADJUSTABLE NUT 4
5	685042005	SUPPORTER STOPPER
6	000081005	SETSCREW 4X8
7	757614000	LAMP SOCKET (UNIT)
8	PREFISSO "J" 000103705	SETSCREW 4X5
9	000009009	LIGHT BULB 240V
10	PREFISSO "J" 757604007	FRONT BASE PLATE (UNIT)
11	757008108	FRONT BASE PLATE
12	753023015	DRAG ROD LINK (FRONT) HOLDER
13	753210000	DRAG ROD LINK (FRONT)
14	000014007	SNAP RING CS-4
15	PREFISSO "J" 000081119	SETSCREW 4X6
16	753626003	BH LEVER (UNIT)
17	753629109	BH LEVER (UNIT)
18	PREFISSO "J" 753247006	BH LEVER SUPPORTER
19	753027008	FRICTION SPRING
20	000023009	SPRING PIN
21	753029000	BH LEVER ADJUSTING PLATE
22	PREFISSO "J" 652203004	SETSCREW 3X3.5
23	000001207	SNAP RING E-2.5
24	000081005	SETSCREW 4X8
25	757007004	THREADER GUIDE

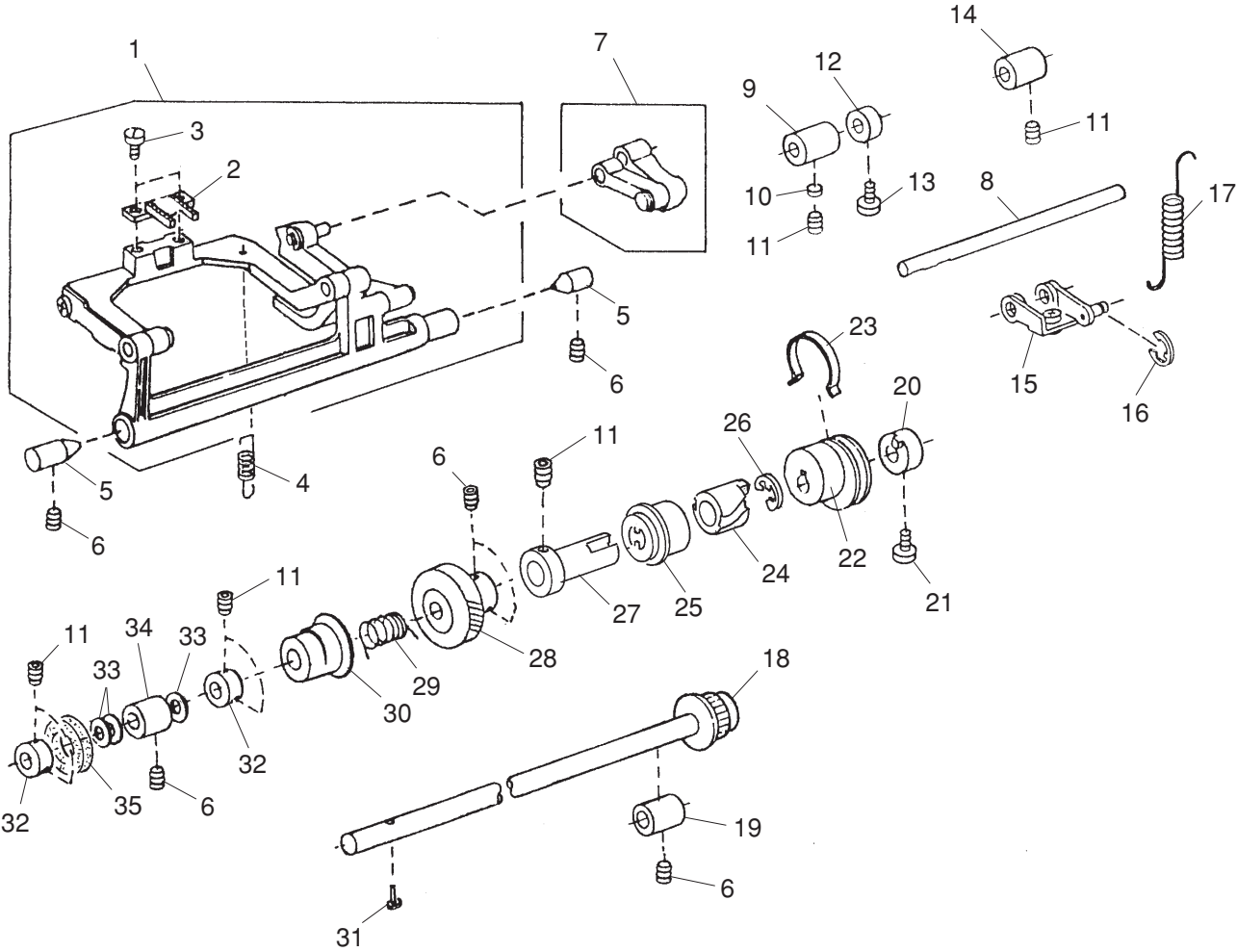
PARTS LIST



PARTS LIST

KEY NO.	PARTS NO.	DESCRIPTION
1	757605008	UPPER SHAFT COMP. (UNIT)
2	102073003	SETSCREW
3	000111304	HEXAGONAL SOCKET SCREW 5X5
4	650060001	WORM
5	000111201	HEXAGONAL SOCKET SCREW 4X4
6	731384008	FELT
7	000101301	SETSCREW 5X10
8	761052007	SETSCREW
9	673062004	UPPER SHAFT BUSHING (REAR)
10	756017004	UPPER SHAFT TIMING GEAR
11	000020501	SPRING PIN 3X22
12	650071005	TIMING BELT
13	653055002	DECLUTCH RELEASING RING
14	653056003	CLUTCH RING
15	653057004	CLUTCH SPRING
16	000039307	WASHER
17	653058005	BELT WHEEL
18	830286009	HANDWHEEL BASE
19	653061115	HANDWHEEL
20	820511108	THREAD TAKE-UP LEVER (UNIT)
21	650062003	PIN
22	000002806	SNAP RING E-6
23	753234000	TIMING BELT

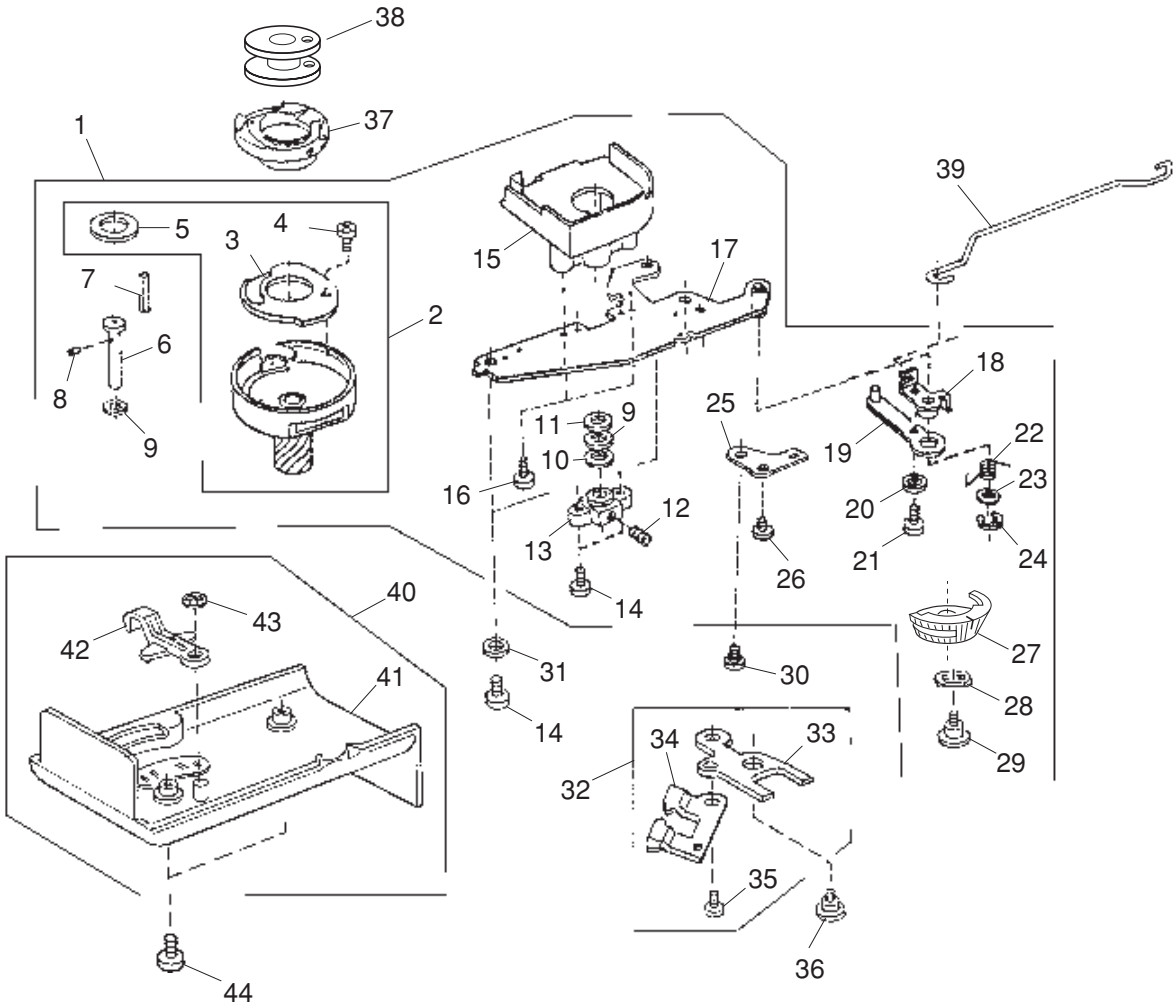
PARTS LIST



PARTS LIST

KEY NO.	PARTS NO.	DESCRIPTION
1	751640306	FEED SHAFT (UNIT)
2	840005003	FEED DOG
3	000104005	SETSCREW 3.5X8
4	650085002	SPRING
5	738055008	STRAIGHT PIN
6	000111304	HEXAGONAL SOCKET SCREW 5X5
7	650612004	FEED REGULATOR (UNIT)
8	650091001	FEED SHAFT
9	625144002	BUSHING (FRONT)
10	650175000	CUSHION
11	000111201	HEXAGONAL SOCKET SCREW 4X4
12	820387000	RING
13	000081005	SETSCREW 4X6
14	650092002	FEED SHAFT BUSHING (REAR)
15	652607002	FEED REGULATING ARM (UNIT)
16	000002105	SNAP RING E-3
17	753033007	REGULATOR SPRING
18	686613109	LOWER SHAFT (UNIT)
19	650079003	LOWER SHAFT BUSHING (REAR)
20	650074008	FEED CAM RING
21	000121606	TAPPING SCREW 3X12S
22	625120105	FEED CAM
23	627207000	SPRING
24	756019006	REVERSE FEED RING (1)
25	756020000	REVERSE FEED RING (2)
26	000002806	SNAP RING E-6
27	756021001	RING
28	650955002	LOWER SHAFT GEAR
29	686035008	SPRING
30	753183025	FEED LIFTING CAM
31	820161006	FEED LIFTING PIN
32	820166001	RING
33	000038502	WASHER
34	650078002	LOWER SHAFT BUSHING (FRONT)
35	735143005	FELT

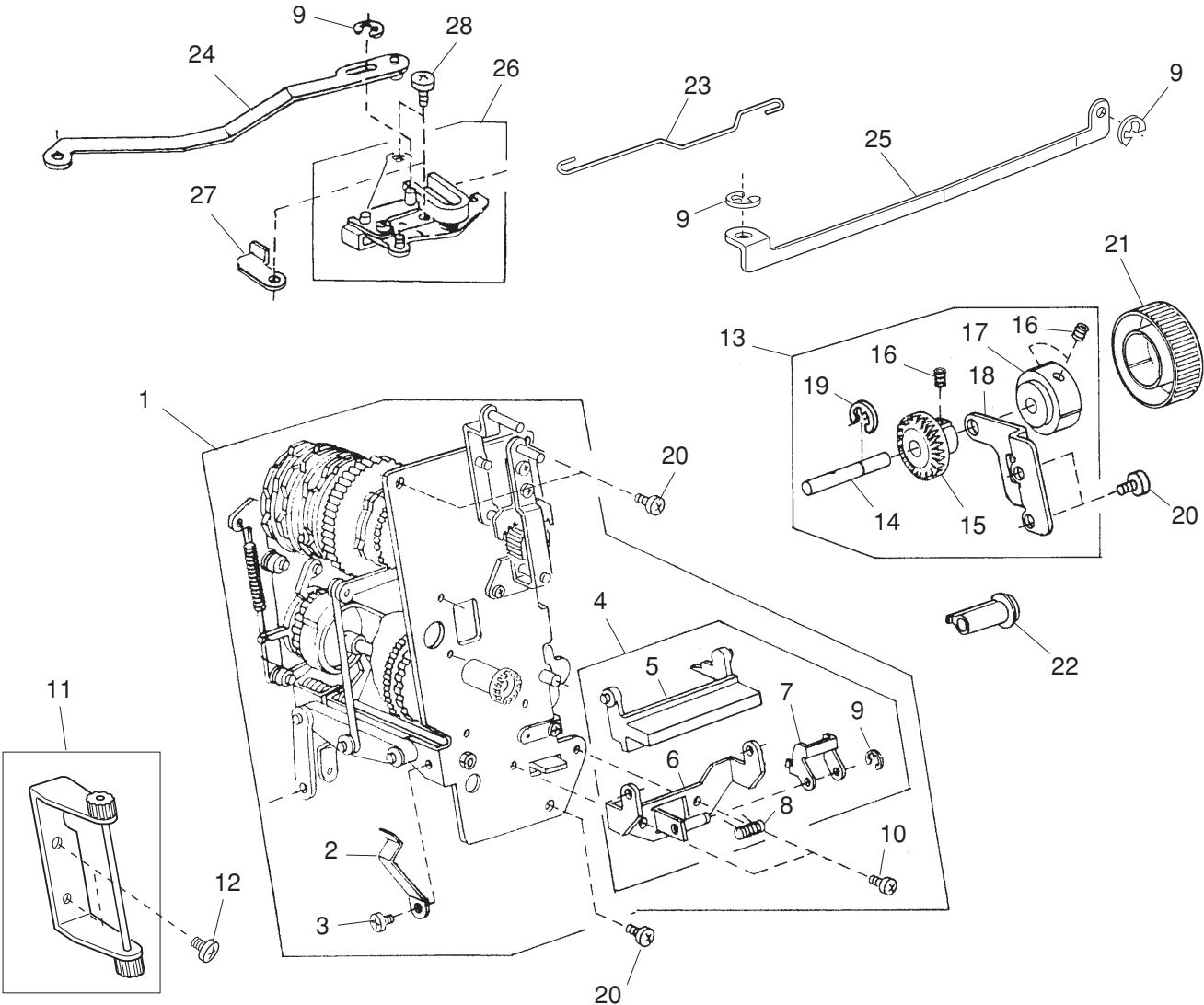
PARTS LIST



PARTS LIST

KEY NO.	PARTS NO.	DESCRIPTION
1	756608204	HOOK (UNIT)
2	652623004	SHUTTLE BODY (UNIT)
3	627191000	HOOK RACE BOTTOM PLATE
4	820374004	SETSCREW 2X2.3
5	627190010	HOOK RACE MAGNET
6	820123006	HOOK DRIVER SHAFT
7	820124007	HOOK SHAFT OIL FELT (1)
8	820125008	HOOK SHAFT OIL FELT (2)
9	000038409	WASHER
10	625102008	PLAIN WASHER
11	627192001	WASHER
12	000111304	HEXAGONAL SOCKET SCREW 5X5
13	650094004	HOOK SHAFT BASE
14	000081005	SETSCREW 4X8
15	827040009	HOOK GEAR COVER
16	000107204	TAPPING SCREW 3X12 (B)
17	756022002	HOOK BASE PLATE
18	650097007	FEED SHIFT ARM
19	650098008	FEED SHIFT PLATE
20	000070218	PLAIN WASHER
21	000103808	SETSCREW 3X5
22	650099009	FEED SHIFT SPRING
23	650023002	WASHER
24	000002105	SNAP RING E-3
25	756023003	SET PLATE
26	000101404	SETSCREW 4X6
27	757010000	BH PITCH BALANCE ADJUSTING LEVER
28	000116206	WAVE WASHER
29	756029009	HINGE SCREW
30	650172007	HINGE SCREW
31	000070506	POLISHED PLAIN WASHER 4
32	756609009	SHIFT ARM (UNIT)
33	756025005	SHIFT ARM (1)
34	756026006	SHIFT ARM (2)
35	000101105	SETSCREW 3X4
36	756027007	HINGE SCREW
37	627569106	BOBBIN HOLDER (UNIT)
38	102261000	BOBBIN
39	754051004	FEED TRANS FORMING ROD
40	757601004	BED COVER (UNIT)
41	757001008	BED COVER
42	753005000	DROP FEED LEVER
43	000013903	SNAP RING CS-5
44	000101703	SETSCREW 4X12

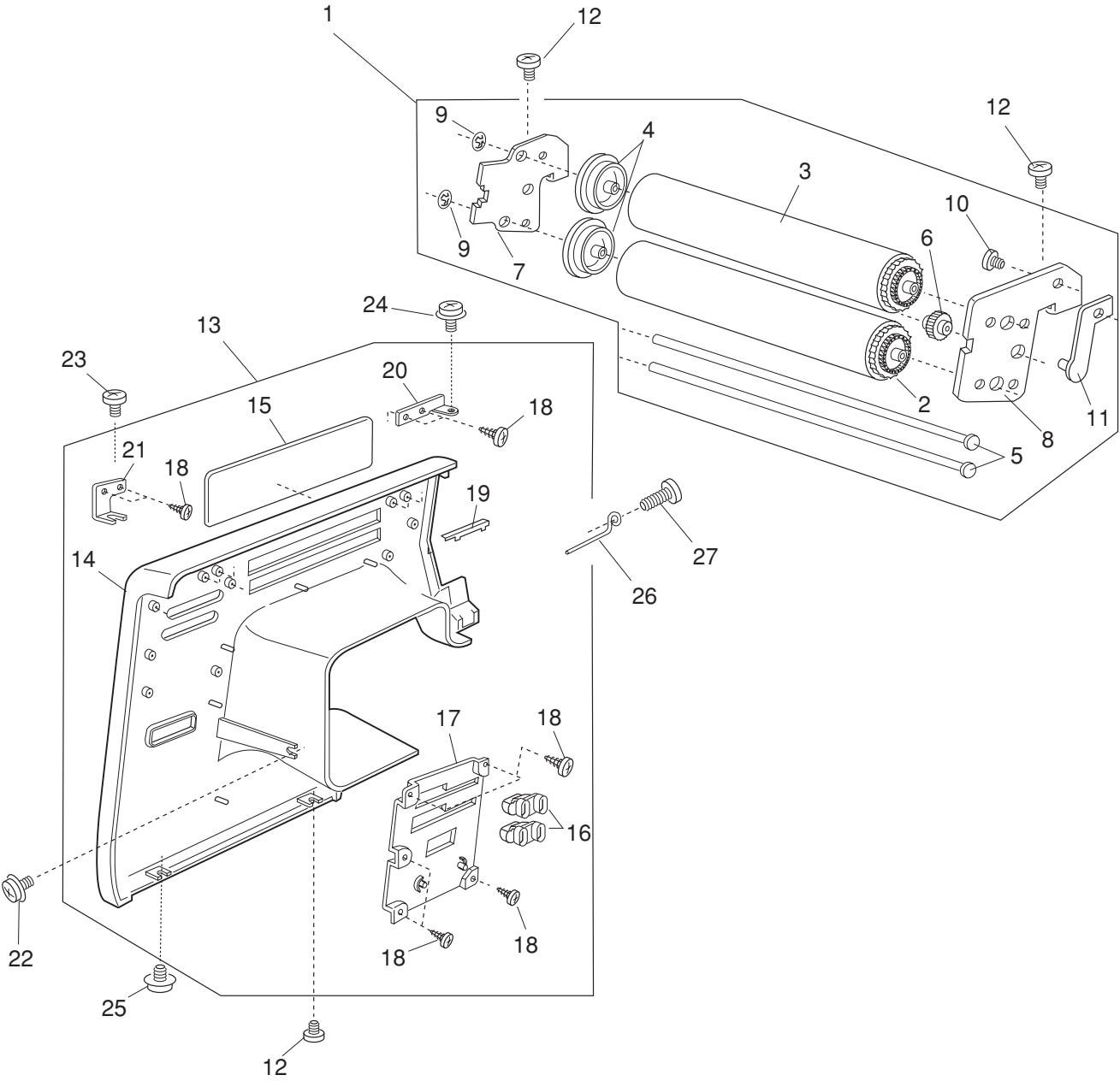
PARTS LIST



PARTS LIST

KEY NO.	PARTS NO.	DESCRIPTION
1	757608001	CAM BLOCK (UNIT)
2	754021005	PATTERN SELECTOR INDEX SPRING
3	652203004	SETSCREW 3X3.5
4	757610006	REVERSE BUTTON (UNIT)
5	757019009	REVERSE BUTTON
6	753046003	REVERSE BUTTON SUPPORTER
7	753150001	REVERSE BUTTON ARM (2)
8	753147005	REVERSE BUTTON SPRING
9	000002105	SNAP RING E-3
10	000103808	SETSCREW 3X5
11	757611007	CONNECTING BASE PLATE (UNIT)
12	000101105	SETSCREW 3X4
13	753647114	PATTERN SELECTOR DIAL SHAFT (UNIT)
14	753203114	PATTERN SELECTOR DIAL SHAFT
15	753082104	DIAL GEAR
16	000111201	HEXAGONAL SOCKET SCREW 4X4
17	753202009	PATTERN SELECTOR DIAL SEAT
18	753083013	DIAL SUPPORTER
19	000001609	SNAP RING E-5
20	000081005	SETSCREW 4X8
21	757024007	PATTERN SELECTOR DIAL
22	650162509	SS CONTROL DIAL
23	688004004	ZZ WIDTH ROD
24	650156005	ZIGZAG ROD (FRONT)
25	757045004	ZZ WIDTH ADJUSTING ROD
26	686618104	ZIGZAG ARM (UNIT)
27	688003003	ZIGZAG STOPPER
28	000081005	SETSCREW 4X8

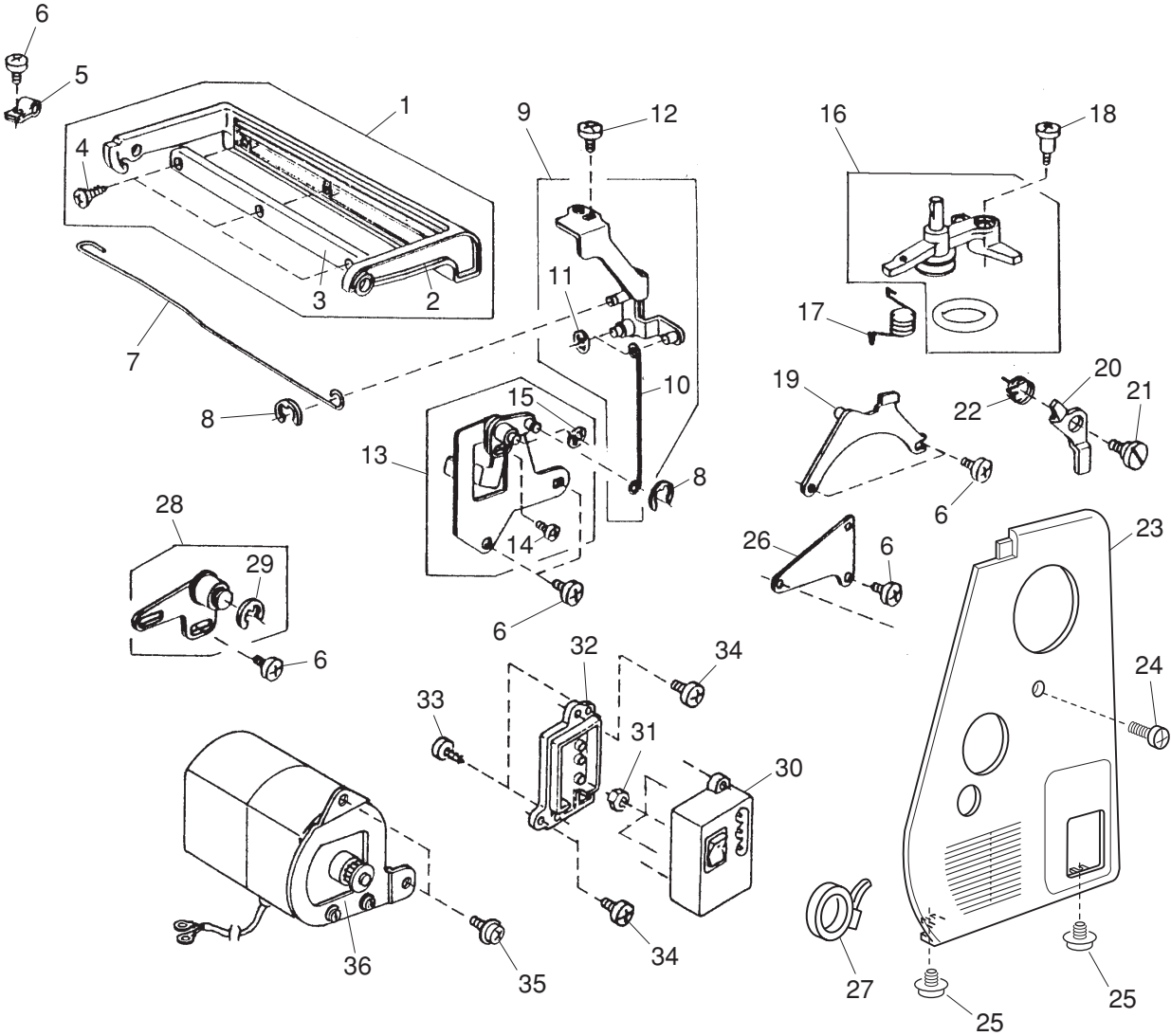
PARTS LIST



PARTS LIST

KEY NO.	PARTS NO.	DESCRIPTION
1	757612008	INDICATOR DRAM (UNIT)
2	757025101	INDICATOR DRAM
3	757025112	INDICATOR DRAM
4	757026009	INDICATOR DRAM CAP
5	757027000	DRAM SHAFT
6	757028001	GEAR
7	757029002	DRAM SUPPORTER PLATE (FRONT)
8	757030006	DRAM SUPPORTER PLATE (REAR)
9	000014306	SNAP RING E-3
10	000103808	SETSCREW 3X5
11	757051003	GEAR PLATE
12	000101404	SETSCREW 4X6
13	757613021	FRONT COVER (UNIT)
14	757031133	FRONT COVER
15	757032606	PATTERN INDICATION PLATE
16	757033009	SLIDE BUTTON
17	757034000	BUTTON FRAME
18	000120203	TAPPING SCREW 3X8B
19	753125007	THREAD PROTECTING PLATE
20	753108004	FRONT PANEL RETAINING PLATE (FRONT)
21	753109005	FRONT PANEL RETAINING PLATE (REAR)
22	000115607	TP SCREW 4X8
23	000081005	SETSCREW 4X8
24	000115401	TP SCREW 3X4
25	000115205	TP SCREW 4X6
26	753126008	ARM THREAD GUIDE
27	000092917	SETSCREW 3.5X27

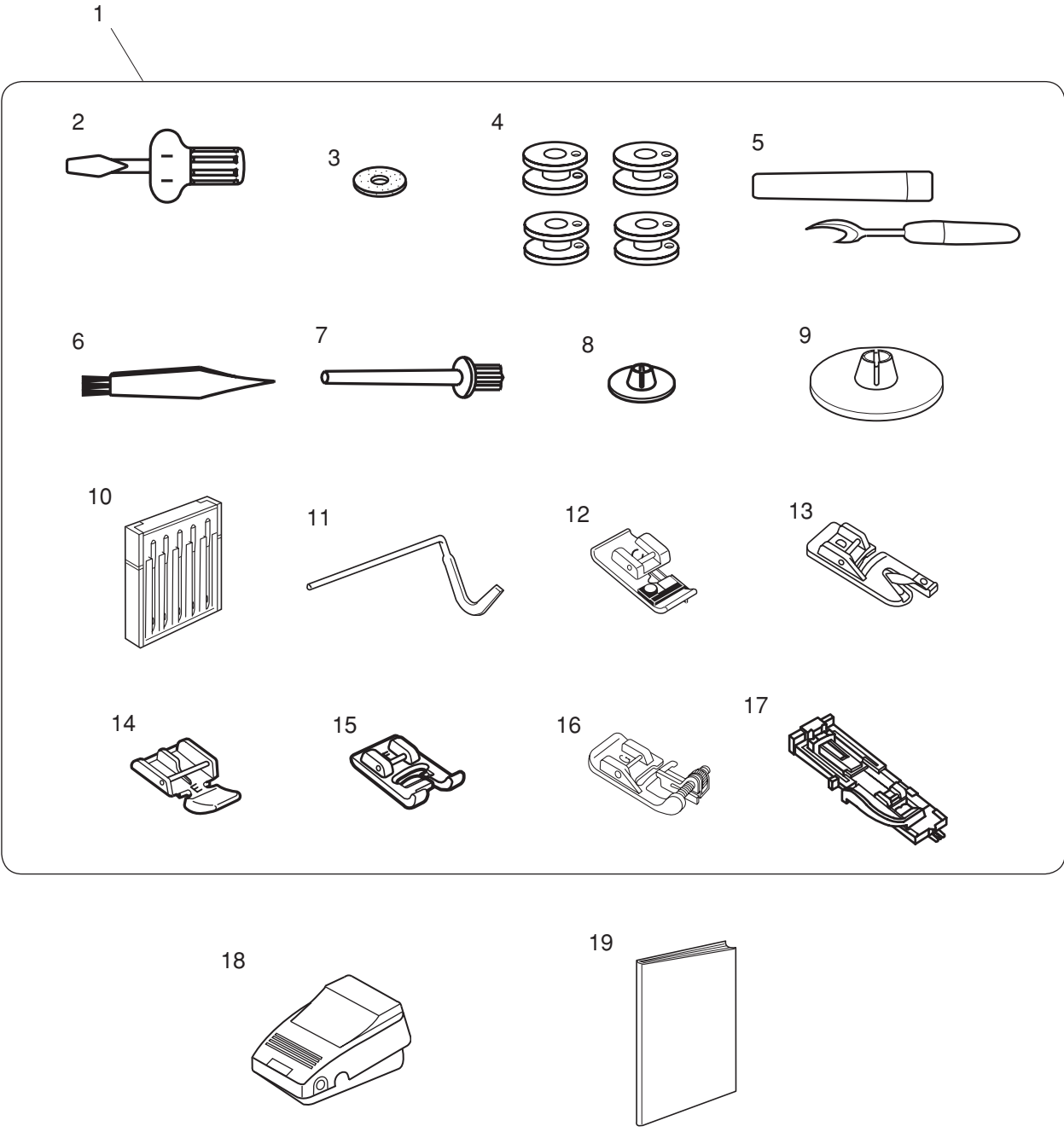
PARTS LIST



PARTS LIST

KEY NO.	PARTS NO.	DESCRIPTION
1	753620007	CARRYING HANDLE (UNIT)
2	753121003	CARRYING HANDLE
3	753122004	CARRYING HANDLE PLATE
4	000120502	FLAT TAPPING SCREW 3X8B
5	000188405	NYLON CLIP
6	000081005	SETSCREW 4X8
7	753098000	BH DRAG ROD
8	000002105	SNAP RING E-3
9	753643006	DRAG ROD LINK HOLDER PLATE (UNIT)
10	753099012	BH DRAG ROD (2)
11	000014007	SNAP RING CS-4
12	810220003	SETSCREW
13	753614008	STEP-UP BASE (UNIT)
14	000101507	SETSCREW 3.5X5
15	000014007	SNAP RING CS-4
16	653508005	BOBBIN WINDER (UNIT)
17	823119008	BOBBIN WINDER FRAME SPRING
18	686063005	HINGE SCREW
19	753120002	CARRYING HANDLE SUPPORTER PLATE
20	753192005	DECLUTCH ARM
21	625214004	HINGE SCREW
22	753193006	SPRING
23	757035001	BELT COVER
24	000080901	SETSCREW 4X25
25	000115205	TP SCREW 4X6
26	753116005	BELT COVER RETAINING PLATE
27	000053008	CORD BIND
28	753619003	IDLER (UNIT)
29	000002806	SNAP RING E-6
30	754507103	MACHINE SOCKET (UNIT)
31	000060802	NUT
32	823097009	MACHINE SOCKET COVER
33	000076317	TAPPING SCREW 3X10
34	000103509	SETSCREW 4X10
35	000115504	SETSCREW 5X10
36	754623003	MOTOR (UNIT)

PARTS LIST



PARTS LIST

KEY NO.	PARTS NO.	DESCRIPTION
1	757870006	ACCESSORY SET
2	820832005	SCREW DRIVER
3	102403109	FELT
4	102261000	BOBBIN
5	647808009	SEAM RIPPER (UNIT)
6	802424004	LINT BRUSH
7	625031500	ADDITIONAL SPOOL PIN
8	822019509	SMALL SPOOL HOLDER
9	822020503	LARGE SPOOL HOLDER
10	540401026	NEEDLE SET (UNIT)
11	802422002	QUILTER
12	820804019	OVEREDGE FOOT (UNIT)
13	820809014	HEMMER FOOT (UNIT)
14	829801002	ZIPPER FOOT (UNIT)
15	822804118	SATIN STITCH FOOT (UNIT)
16	820817015	BLIND HEM FOOT (UNIT)
17	753801004	AUTOMATIC BUTTONHOLE FOOT (UNIT)
18	C-2040-1	FOOT CONTROL
19	757800337	INSTRUCTION BOOK