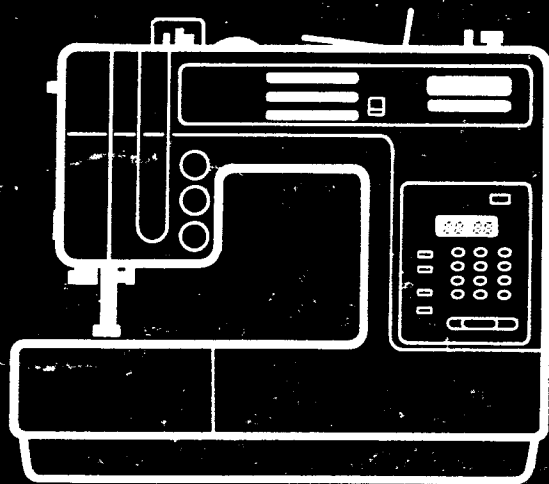


COPY

Parts Catalogue For Computerized Sewing Machine MODEL 847



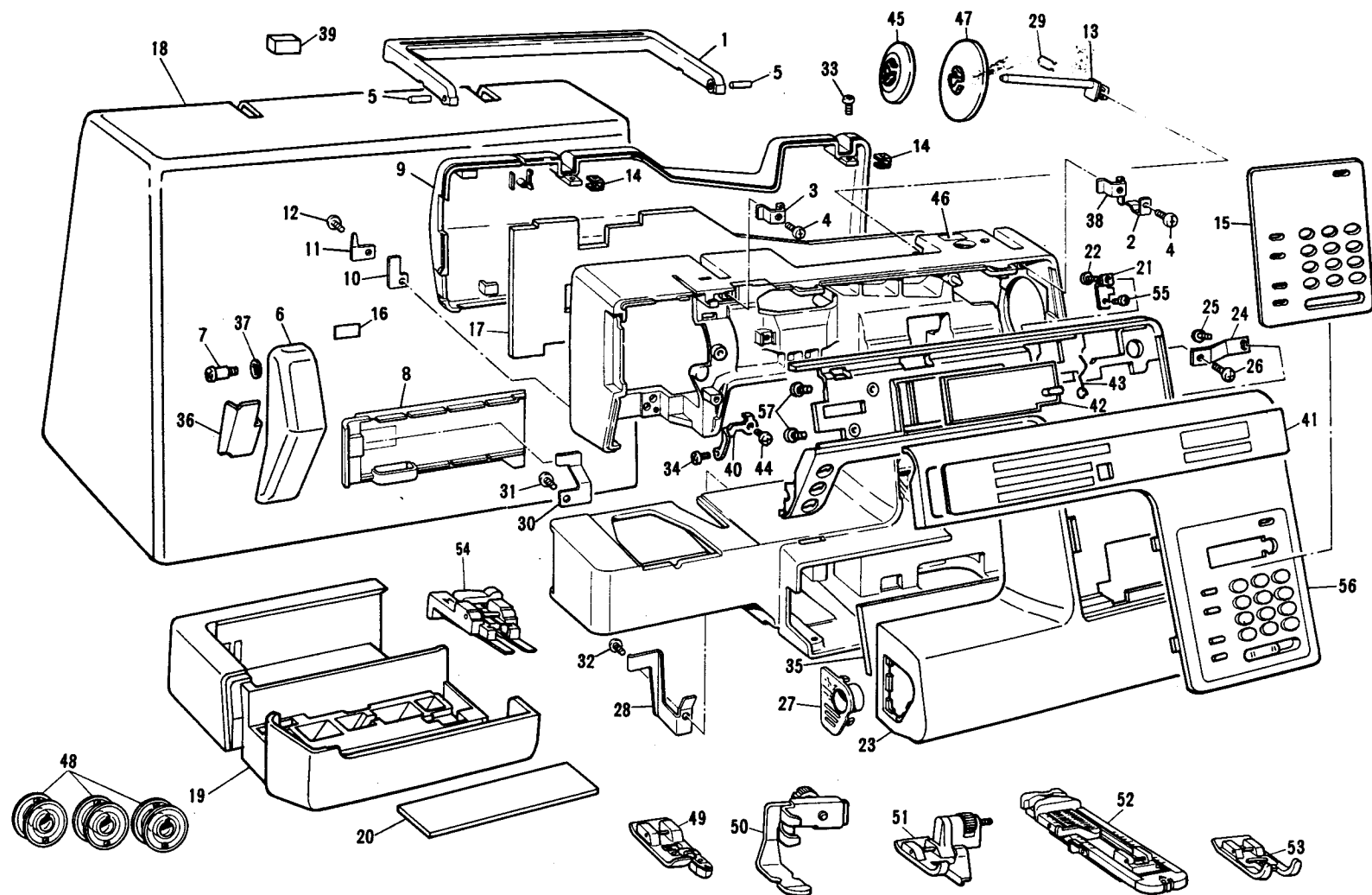
CONTENTS

Ref. No.	Page	Title
1	2- 3	Principal parts and Accessories
2	4- 5	Upper shaft
3	6- 7	Needle bar and Presser bar
4	8- 9	Upper tention, Zigzag mechanism and Bobbin winder
5	10-11	Feed mechanism and Rotary hook
6	12-13	Main PC board and Foot controller
7	14-15	Transformer and Motor unit
8	16-17	Side cutter and Accessory

(1) PRINCIPAL PARTS AND ACCESSORIES

Ref. No.	Parts No.	Parts Name	Ref. No.	Parts No.	Parts Name	Ref. No.	Parts No.	Parts Name
1	138270101	Carrying handle	36	137927050	Reflector			
2	137653051	Spring	37	117851001	Washer			
3	137654051	Presser plate	38	138951051	Presser plate			
4	060300516	Screw	39	X50378000	Cover cushion			
5	137655051	Carrying handle shaft	40	X53454051	Front cover setting plate L			
6	X53615001	Face plate	41	X54829001	Arm decoration plate			
7	138183101	Stud screw	42	X54847001	Pattern decoration plate			
8	137663007	Bed cover	43	X53653001	Spring			
9	X53614101	Rear cover	44	060300616	Screw			
10	137665001	Thread cutter A	45	130013001	Spool presser B			
11	137666051	Thread cutter B	46	X54842001	Bobbin winder sticker			
12	060300416	Screw	47	130012001	Spool presser A			
13	138143004	Spool pin	48	136482151	Bobbin			
14	X55097001	Rear cover setting plate	49	X51162001	Overlock stitch foot			
15	X54851001	Decoration plate B	50	103561002	Zipper foot			
16	135657003	Drop feed sticker	51	129868001	Blind stitch foot			
17	X53618051	Rear cover sheet	52	129881001	Buttonhole foot assembly			
18	137670101	Machine cover	53	137998101	Transparency presser foot			
19	X53458001	Accessory table assembly	54	130489001	Buttoning foot			
20	137675000	Sponge	55	136681001	Screw			
21	X53654001	Switch holder	56	X54933001	Operation panel assembly			
22	062260516	Screw	57	136681001	Screw			
23	X53305103	Front cover						
24	X54055051	Front cover setting plate R						
25	136681001	Screw						
26	060300616	Screw						
27	X54324001	Cap						
28	137993001	Rear cover setting plate B						
29	137979051	Spring						
30	137772051	Setting plate						
31	060400616	Screw						
32	060400616	Screw						
33	060301016	Screw						
34	060300416	Screw						
35	138114050	Front cover sheet						

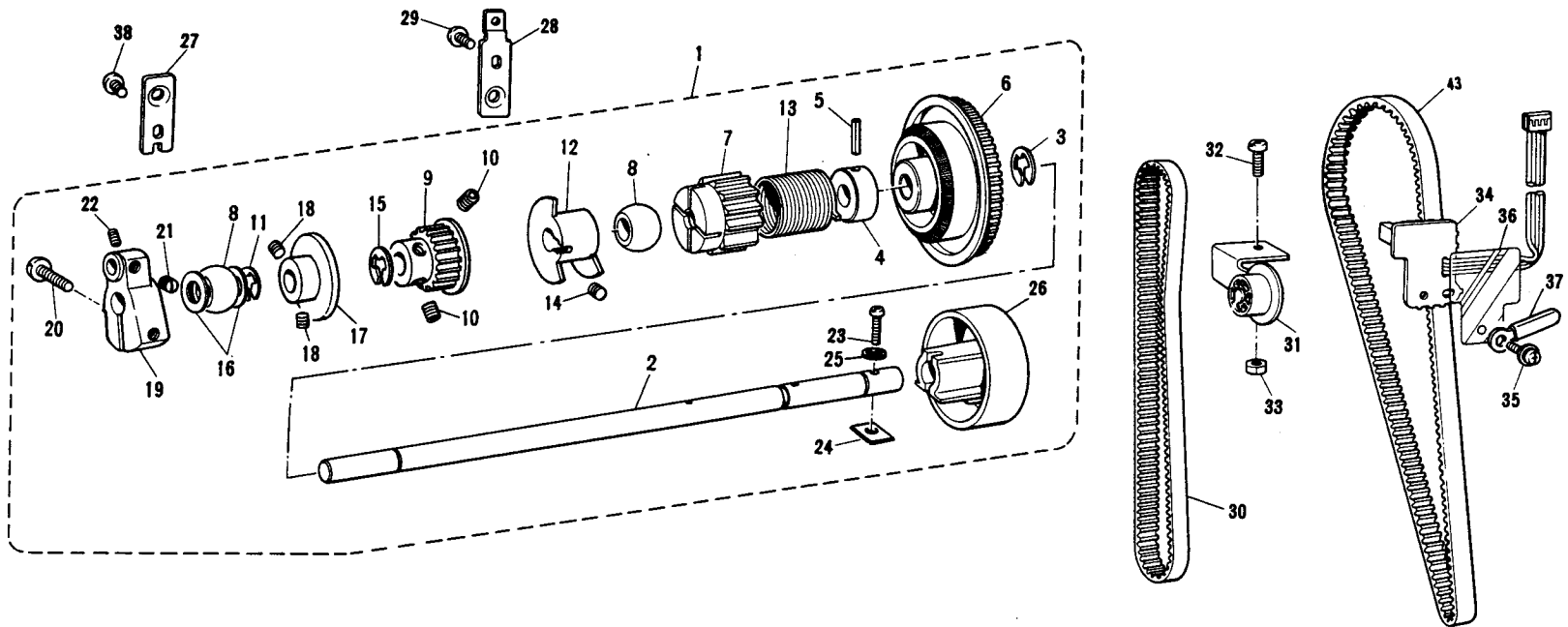
1



(2) UPPER SHAFT

Ref. No.	Parts No.	Parts Name	Ref. No.	Parts No.	Parts Name	Ref. No.	Parts No.	Parts Name
1	X53306001	Upper shaft assembly	36	138509050	NP Board cover			
2	X53307050	Upper shaft	37	X52318001	Cord guide			
3	048080346	Stop ring	38	060400816	Screw			
4	132269050	Pulley bush						
5	047302042	Spring pin						
6	137692051	Timing pulley						
7	137981050	Spring case						
8	215616000	Upper shaft bushing						
9	X53308000	Timing pulley upper						
10	014060632	Screw						
11	048080346	Stop ring						
12	137982151	Shutter						
13	136894001	Spring						
14	014400432	Screw						
15	048080346	Stop ring						
16	131976000	Washer						
17	X53312001	Tension control cam						
18	014400432	Screw						
19	X53310050	Eccentric counter weight						
20	062062516	Screw						
21	X54013001	Screw						
22	123006001	Screw						
23	060302016	Screw						
24	X50369051	Nut						
25	117838001	Washer						
26	137694007	Balance wheel						
27	X52478051	Bushing presser						
28	137696051	Bushing presser						
29	060401016	Screw						
30	137697001	Timing belt						
31	X53186051	Belt adjusting pulley						
32	060401016	Screw						
33	021400202	Nut						
34	137700001	NP Board assembly						
35	221419001	Screw						

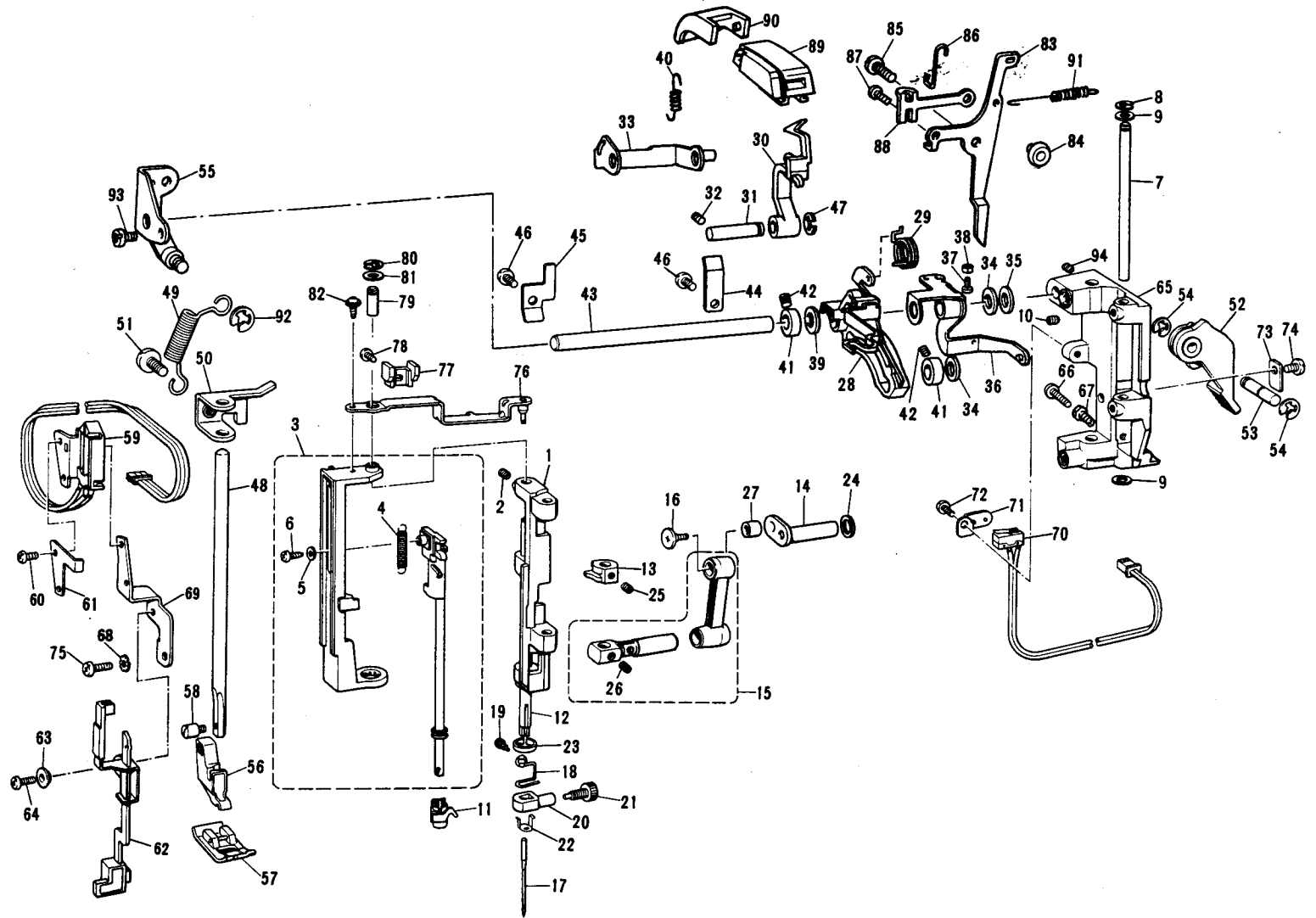
2



(3) NEEDLE BAR AND PRESSER BAR

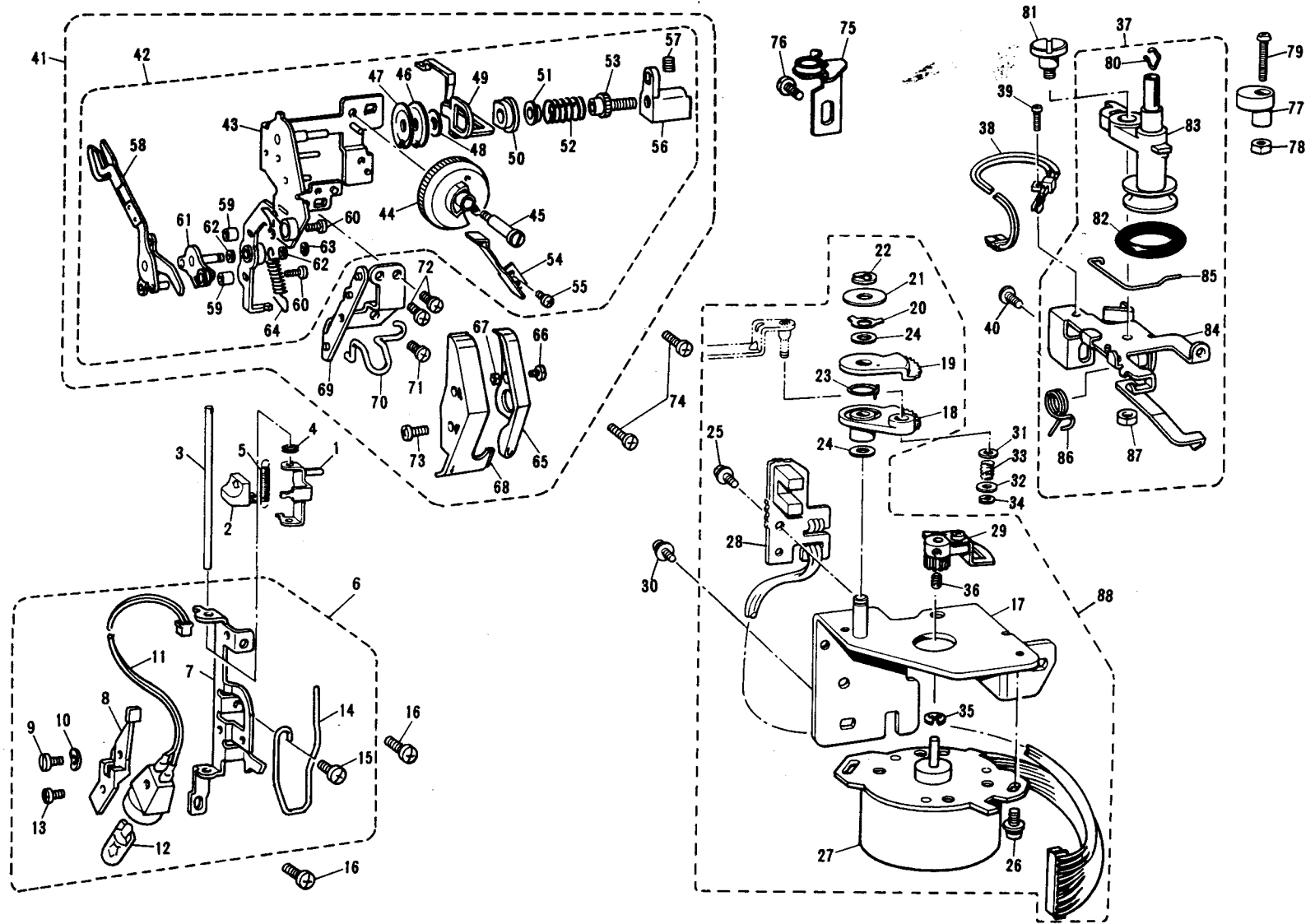
Ref. No.	Parts No.	Parts Name	Ref. No.	Parts No.	Parts Name	Ref. No.	Parts No.	Parts Name
1	137704151	Needle bar supporter	32	014400432	Screw	67	X54643001	Screw
2	014400432	Screw	33	X53336001	Tension control link A	68	U20568000	Washer
3	137707001	Needle threader guide assembly	34	X53330000	Washer	69	X53355001	BH Switch holder
4	137712001	Spring	35	S07350001	Washer	70	X52606001	BH Change switch assembly
5	137977000	Washer	36	X53342001	Tension control link B	71	X53550001	BH Change switch plate
6	136681001	Screw	37	120258001	Screw	72	060300616	Screw
7	137714051	Needle bar supporter stud	38	021670403	Nut	73	X50532001	Stopper plate
8	048040346	Stop ring	39	X53330000	Washer	74	060400616	Screw
9	137713000	Washer	40	X53331001	Spring	75	060400816	Screw
10	014400342	Screw	41	X53329001	Collar	76	X53362001	Zigzag lever assembly
11	129840001	Threader hook assembly	42	014400432	Screw	77	137850151	Zigzag lever stopper
12	137715001	Needle bar	43	X53334050	Thread take-up lever stud	78	221419001	Screw
13	X52882150	Needle threader position setter	44	X53895001	Set plate A	79	137851051	Zigzag lever shaft
14	X53314001	Needle bar crank	45	137984001	Set plate B	80	048040346	Stop ring
15	X53315051	Needle bar crank rod assembly	46	060400616	Screw	81	137713000	Washer
16	X54079001	Screw	47	048040346	Stop ring	82	136869001	Screw
17	117914014	Needle #14	48	137735001	Presser bar	83	X53395151	Tension releaser, B
18	X50109000	Needle bar thread guide	49	137736001	Presser bar spring	84	X53362051	Collar
19	X53053001	Screw	50	X53344001	Presser bar guide bracket	85	060400616	Screw
20	X53896001	Needle clamp	51	X52760001	Screw	86	X54154101	Tension releaser wire
21	131226001	Needle clamp screw	52	X53332151	Presser foot lifter	87	060300416	Screw
22	125161000	Needle guide plate	53	137739051	Stud for presser foot lifter	88	X54155001	Tension releaser wire plate
23	137996001	Needle threader guide ring	54	048040346	Stop ring	89	X53403002	Arm thread guide assembly
24	X51163001	Washer	55	X53346051	Presser bar spring holder	90	X53979001	Thread guide cover
25	014400432	Screw	56	129855001	Presser foot holder	91	X53398001	Spring
26	014400432	Screw	57	137748101	Z Presser foot	92	048040346	Stop ring
27	X54072001	Needle bar crank rod stud	58	138315051	Screw	93	060400606	Screw
28	X53321001	Thread take-up lever assembly	59	X53456001	BH Switch assembly	94	014400632	Screw
29	X53324001	Spring	60	060300616	Screw			
30	X53325000	Sub thread take-up lever	61	129371001	BH Lever stopper			
31	X53327000	Stud	62	X53349001	BH Switch lever assembly			
			63	132467051	Collar			
			64	060300616	Screw			
			65	X53354000	Presser bar unit holder			
			66	018302032	Screw			

3



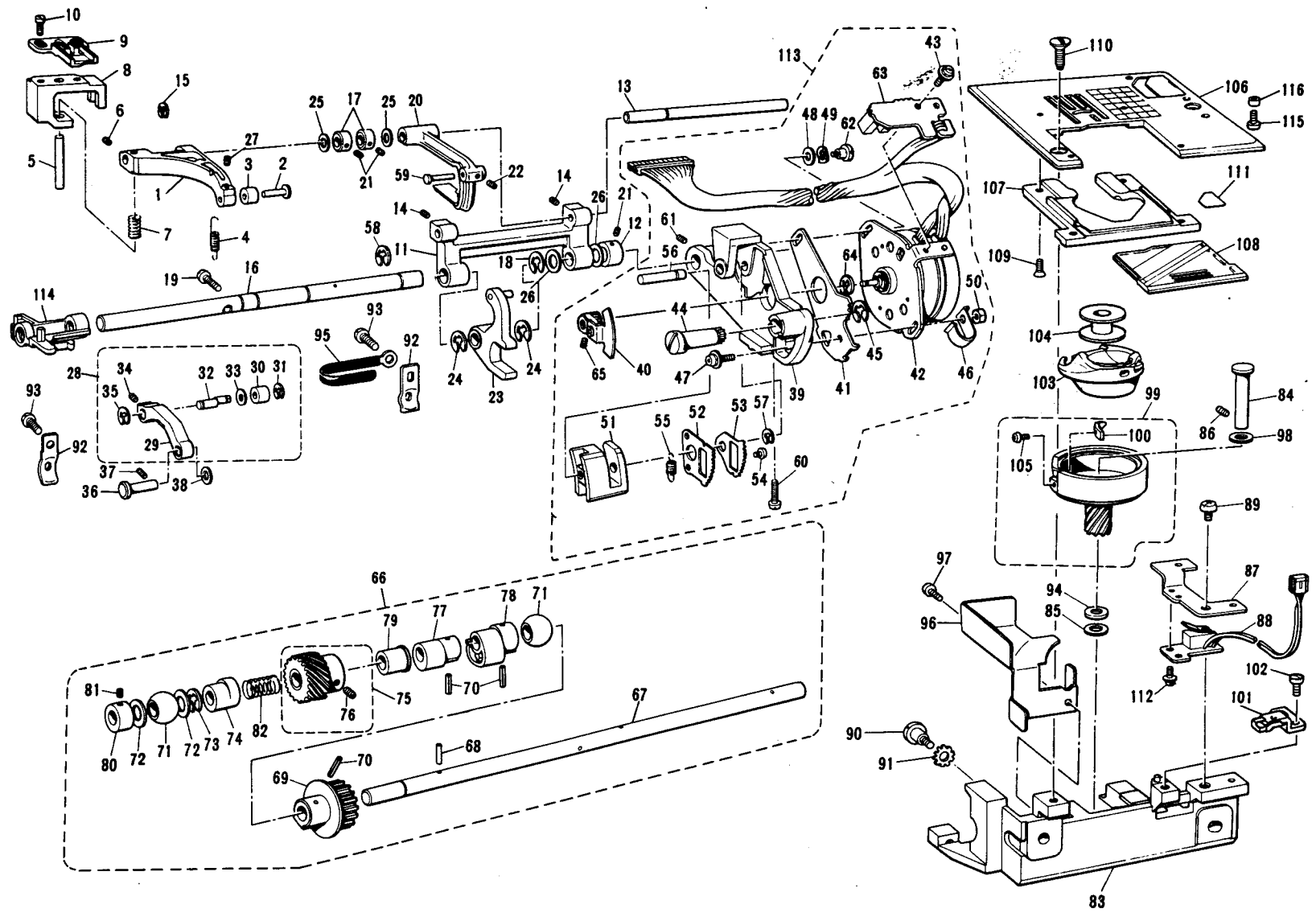
(4) UPPER TENSION, ZIGZAG MECHANISM AND BOBBIN WINDER

Ref. No.	Parts No.	Parts Name	Ref. No.	Parts No.	Parts Name	Ref. No.	Parts No.	Parts Name
1	137893051	Needle threader lever	34	048020346	Stop ring	67	021300106	Nut
2	137894007	Lever knob	35	048020346	Stop ring	68	X53392001	Thread guide cover, B
3	137895051	Needle threader lever shaft	36	014300332	Screw	69	X53393001	Thread guide cover plate
4	129935000	Washer	37	X53970151	Bobbin winder assembly	70	X53394000	Thread guide wire
5	138260051	Spring	38	X54795051	Bobbin winder switch assembly	71	060400616	Screw
6	X53413001	Lamp socket holder assembly	39	062260516	Screw	72	060400416	Screw
7	X53414001	Lamp socket holder	40	060400616	Screw	73	061300416	Screw
8	X53415001	Lamp holder	41	X54854001	Upper tension complete	74	060400616	Screw
9	523323001	Screw	42	X54855001	Upper tension assembly	75	X53646051	Bobbin winder thread guide assembly
10	124521001	Washer	43	X53366001	Tension control bracket	76	060400616	Screw
11	X53417001	Sew-light assembly	44	X54856001	Tension control knob	77	121846001	Bobbin presser
12	X50228001	Sew-light bulb	45	X52120001	Tension control knob stud	78	021300106	Nut
13	U06923002	Screw	46	129376001	Tension disc	79	062301616	Screw
14	X53419000	Thread take-up lever guide bar	47	108263001	Tension disc	80	125928050	Spring
15	060400616	Screw	48	109763003	Washer	81	120263051	Stud screw
16	060400616	Screw	49	X53371001	Tension releaser	82	120448051	Bobbin winder rubber ring
17	137833151	Zigzag pulse motor holder	50	137881001	Tension disc washer	83	X53971051	Bobbin winder bracket assembly
18	137836000	Zigzag gear, A	51	X50702000	Washer	84	137854051	Bobbin winder base plate
19	137837000	Zigzag gear, B	52	X50701001	Spring	85	137860051	Spring
20	523501001	Spring	53	X50765001	Tension control screw	86	137992051	Spring
21	137839001	Washer	54	X52121001	Notched spring	87	021680202	Nut
22	048040346	Stop ring	55	060300416	Screw	88	X54743001	Zigzag pulse motor assembly
23	137840051	Spring	56	X53378000	Tension control block			
24	137713000	Washer	57	014400432	Screw			
25	575039003	Screw	58	X53382001	Thread catch plate assembly			
26	533777001	Screw	59	X53381001	Collar			
27	Z24437001	Zigzag pulse motor	60	533520001	Screw			
28	X53604001	Sensor board assembly, Z	61	X53386001	Tension control collar plate			
29	X52908051	ZPM Gear	62	137977000	Washer			
30	138172001	Screw	63	048020346	Stop ring			
31	137977000	Washer	64	X53656001	Spring			
32	026030234	Washer	65	X53390001	Thread guide cover, A			
33	137998051	Spring	66	X53401001	Screw			



(5) FEED MECHANISM AND ROTARY HOOK

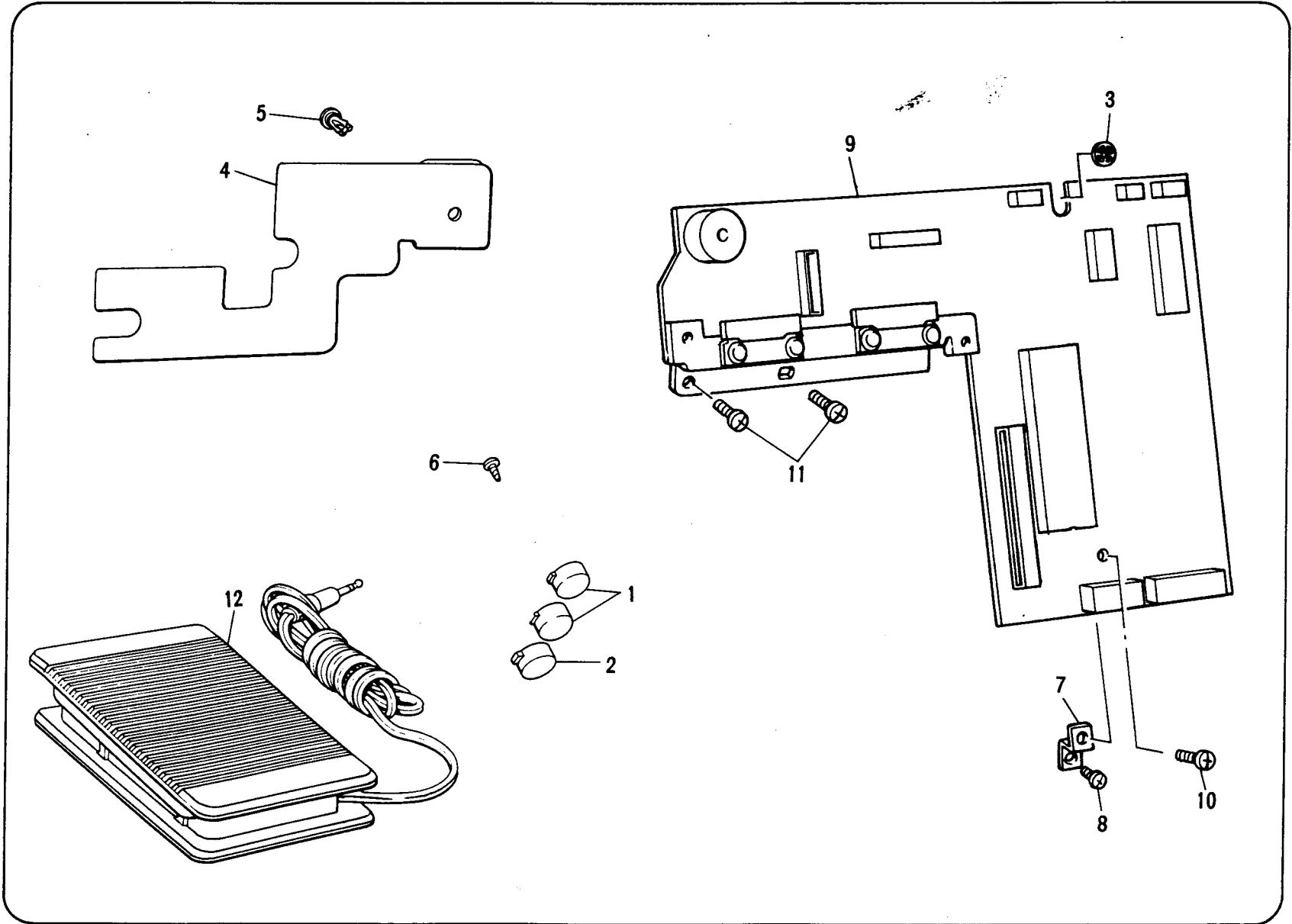
Ref. No.	Parts No.	Parts Name	Ref. No.	Parts No.	Parts Name	Ref. No.	Parts No.	Parts Name
1	137758050	Horizontal feed arm, A	41	137786051	Feed pulse motor plate	81	014400432	Screw
2	137759051	Stud shaft	42	Z24426001	Feed pulse motor	82	137819051	Spring
3	137760050	Vertical feed roller	43	575039003	Screw	83	138227102	Rotary hook base
4	X54057051	Spring	44	137792100	Adjusting screw	84	X52283001	Outer rotary hook shaft
5	137762051	Feed bar guide shaft	45	048060346	Stop ring	85	137805001	Washer
6	014300332	Screw	46	137793101	Spring	86	014400432	Screw
7	137763051	Spring	47	138172001	Screw	87	137807051	Needle plate bracket
8	137764050	Feed bar	48	125324001	Washer	88	X53823001	Side cutter switch assembly
9	137765101	Feed dog	49	137991001	Spring washer			
10	137787001	Screw	50	021400202	Nut	89	060400616	Screw
11	X52903150	Horizontal feed arm, B	51	137794101	Feed regulator assembly	90	137773001	Stud screw
12	137768151	Collar	52	137797001	Feed gear	91	124242001	Washer
13	137769050	Horizontal feed arm shaft	53	137798001	Feed gear	92	132421001	Bushing presser
14	014400532	Screw	54	060300416	Screw	93	060401016	Screw
15	048040346	Stop ring	55	137799051	Spring	94	137976001	Washer
16	137770051	Horizontal feed shaft	56	137800051	Feed regulator stud	95	225580001	Cord guide
17	137842151	Collar	57	048040346	Stop ring	96	138257251	Dust cover
18	048060346	Stop ring	58	048060346	Stop ring	97	060300516	Screw
19	060401416	Screw	59	136653001	Stud	98	X53183001	Washer
20	X52655000	Horizontal feed lever	60	060401016	Screw	99	X52487001	Outer rotary hook assembly
21	014400432	Screw	61	014400432	Screw			
22	014300332	Screw	62	137997001	Stud screw	100	137823001	Needle guard
23	137775001	Side cutter lever arm	63	X53602001	Sensor board assembly	101	X53553001	Inner rotary hook bracket assembly
24	048060346	Stop ring	64	048020346	Stop ring			
25	137713000	Washer	65	014300332	Screw	102	X53644001	Screw
26	132434000	Washer	66	X53357001	Lower shaft assembly	103	X52321101	Inner rotary hook assembly
27	014300532	Screw	67	X53663050	Lower shaft			
28	137777101	Vertical feed arm assembly	68	X50912001	Pin	104	136492151	Bobbin
29	137985001	Vertical feed arm	69	137812000	Timing pulley, D	105	060020316	Screw
30	137760000	Roller	70	047251442	Spring pin	106	137723151	Needle plate assembly
31	048030346	Stop ring	71	132420000	Lower shaft bushing	107	137726151	Inner rotary hook presser
32	137935001	Roller shaft	72	X51383000	Washer	108	137727051	Slide plate
33	137999000	Washer	73	048060346	Stop ring	109	061300416	Screw
34	014400632	Screw	74	137813000	Vertical feed cam	110	132584001	Screw
35	048040346	Stop ring	75	X52752001	Lower shaft gear assembly	111	X54002001	Sticker
36	137780051	Vertical feed arm shaft	76	014400632	Screw	112	052300606	Screw
37	014400342	Screw	77	137817000	Side cutter cam	113	X54742001	Feed pulse motor assembly
38	137713000	Washer	78	137818000	Horizontal feed cam	114	137781001	Drop lever
39	137782100	Feed pulse motor holder	79	138202000	Lower shaft collar	115	060300416	Screw
40	X52909051	Feed pulse motor gear	80	137768151	Collar	116	X55355001	Spacer



(6) MAIN PC BOARD AND FOOT CONTROLLER

Ref. No.	Parts No.	Parts Name	Ref. No.	Parts No.	Parts Name	Ref. No.	Parts No.	Parts Name
1	137689001	SS Key top						
2	137968007	SS Key top						
3	146200001	Stop ring						
4	X53620050	Cord guard sheet						
5	128651001	Rivet						
6	136681001	Screw						
7	137679051	Set plate						
8	060300616	Screw						
9	X54928001	Main PC Board assembly						
10	052300606	Screw						
11	060300616	Screw						
12		Controller complete						

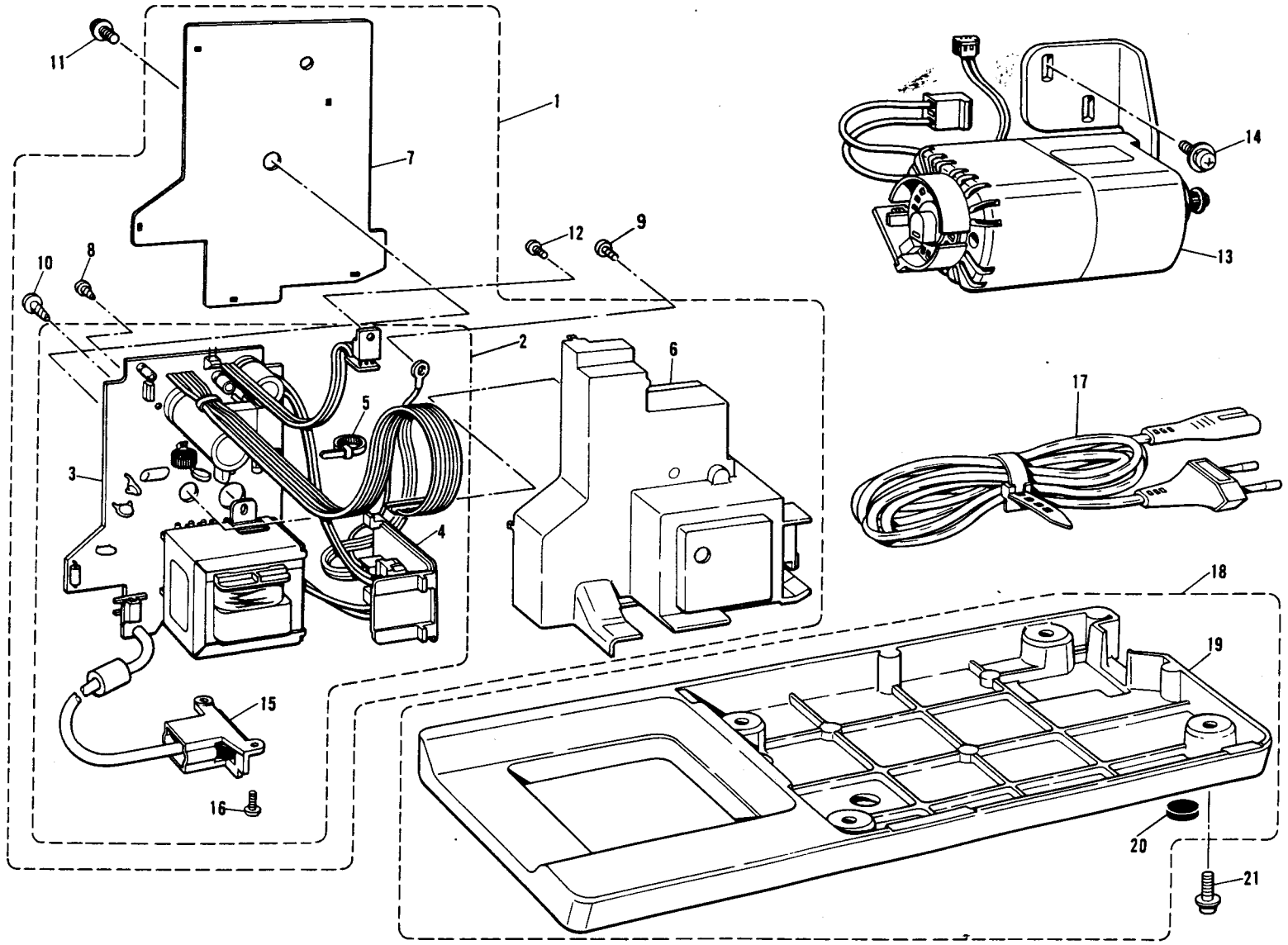
6



(7) TRANSFORMER AND MOTOR UNIT

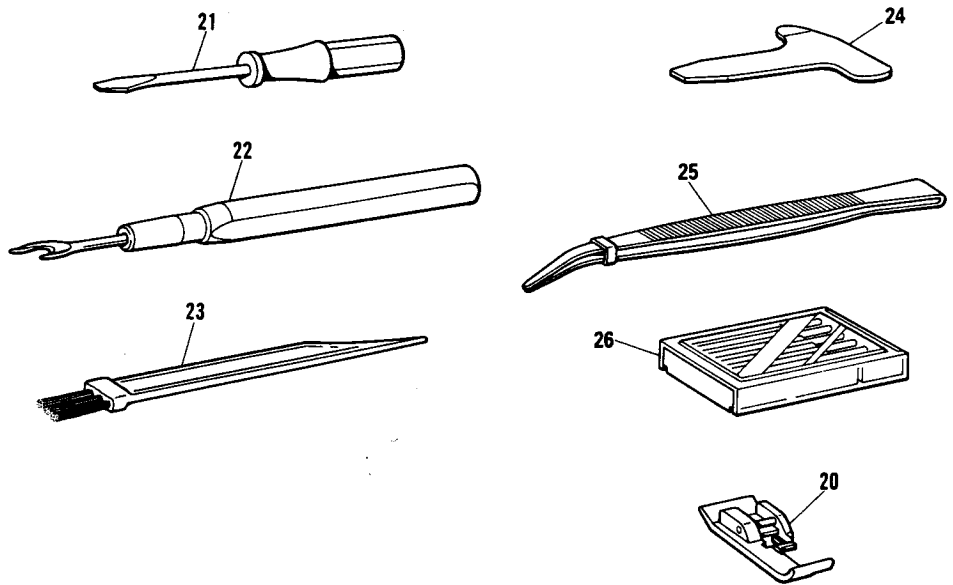
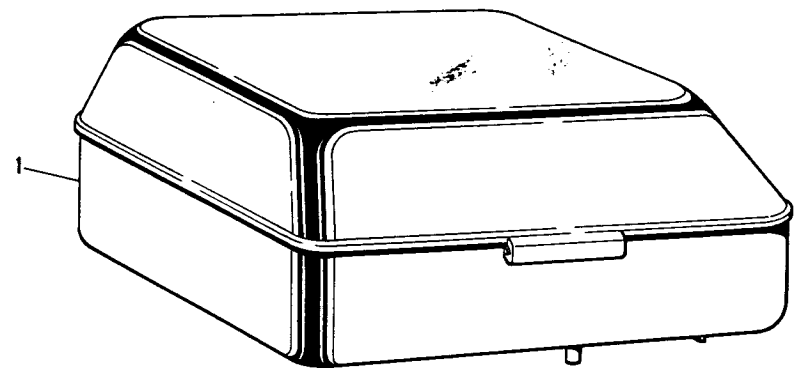
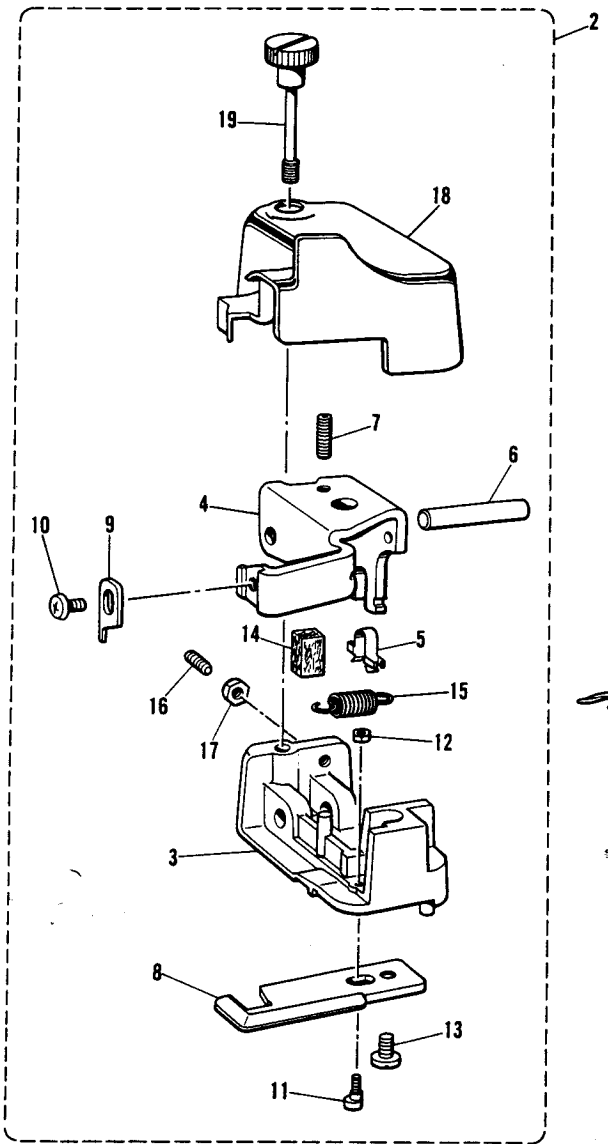
Ref. No.	Parts No.	Parts Name	Ref. No.	Parts No.	Parts Name	Ref. No.	Parts No.	Parts Name
1		Power supply unit assembly						
2		Power supply PC board assembly						
3		Power supply PC board						
4	138110058	Plug case						
5	124240001	Band						
6	137953051	Power supply unit cover						
7	137954001	Power supply unit cover						
8	136681001	Screw						
9	060400616	Screw						
10	138173001	Screw						
11	138172001	Screw						
12	060300616	Screw						
13		Main motor unit						
14	X53982001	Screw						
15	138558001	Inlet assembly						
16	X50020001	Screw						
17		Power supply cord assembly						
18	X54881051	Base plate assembly						
19	X54880051	Base plate						
20	130157051	Rubber cushion for base plate						
21	X53982001	Screw						

7



(8) SIDE CUTTER AND ACCESSORY

Ref. No.	Parts No.	Parts Name	Ref. No.	Parts No.	Parts Name	Ref. No.	Parts No.	Parts Name
1	137788001	Accessory box						
2	137966018	Side cutter assembly						
3	136662000	Side cutter bracket						
4	136663001	Side cutter arm						
5	136664001	Side cutter arm plate						
6	136665001	Side cutter arm shaft						
7	014401032	Screw						
8	136666001	Lower knife						
9	136667001	Upper knife						
10	136668001	Screw						
11	136816001	Eccentric stud						
12	021020106	Nut						
13	136671001	Screw						
14	136672000	Felt						
15	136673001	Spring						
16	014300832	Screw						
17	021300306	Nut						
18	136674025	Bracket case						
19	136675001	Thumb screw						
20	136677001	Side cutter presser foot assembly						
21	128584001	Screw driver S						
22	X54243001	Seam ripper						
23	128373001	Cleaning bush						
24	138201001	Feed adjusting screw driver						
25	129140050	Pincette						
26	131460001	Needle set						



M847
H0070608
Printed in Japan