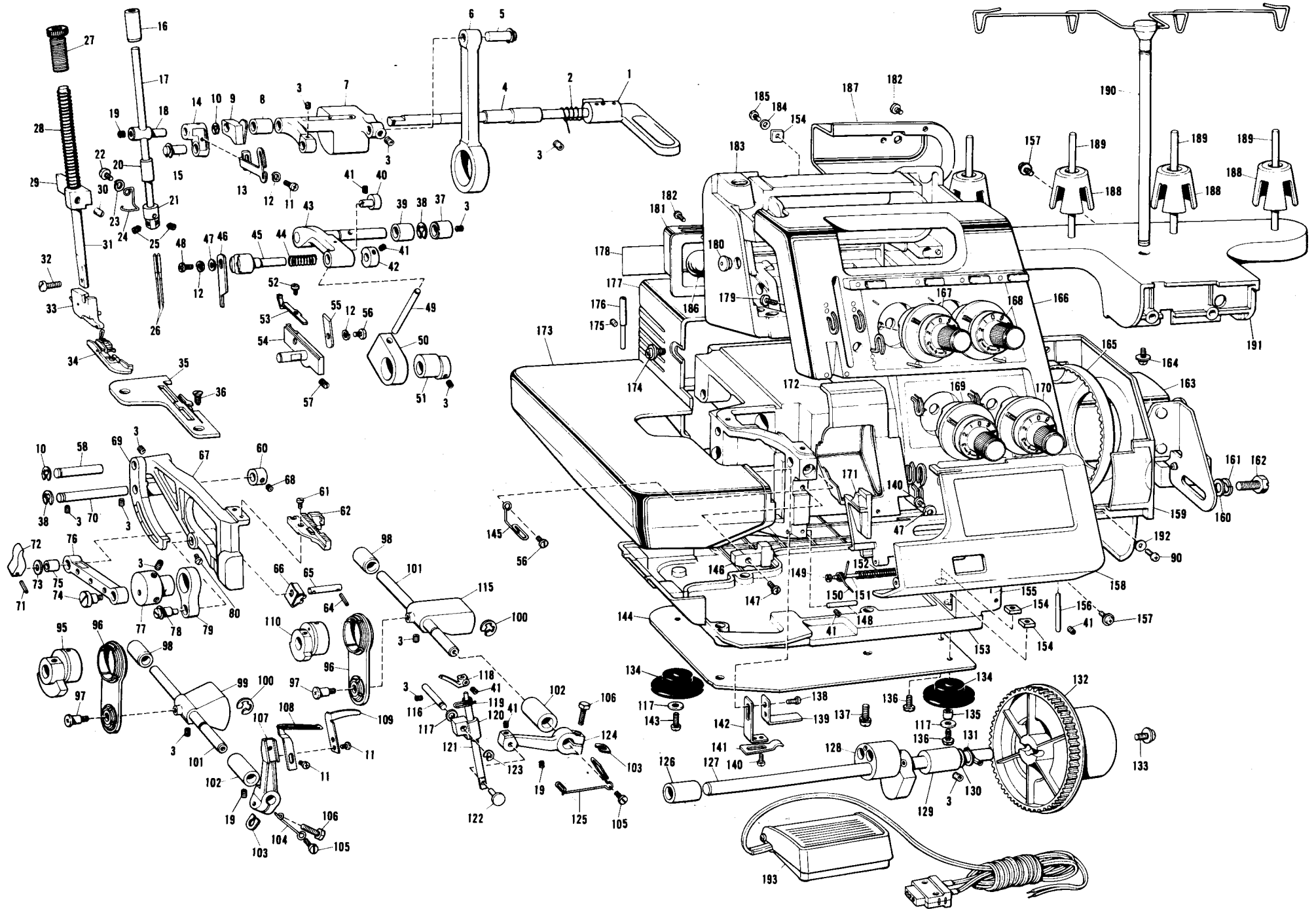


PARTS BOOK

FOR

brother® homelock

MODEL 546



Ref. No.	Parts No.	Parts Name	Ref. No.	Parts No.	Parts Name	Ref. No.	Parts No.	Parts Name	Ref. No.	Parts No.	Parts Name
1	138877005	Presser bar lifter	62	X75755001	Feed dog	140	062670402	Set screw		X75903001	Wrench 1.5
2	X75041001	Spring	64	047201442	Spring pin	141	126530001	Cloth plate cover spring plate		X75904000	Thread net
3	012500632	Set screw	65	127560001	Feed adjusting shaft	142	126837001	Spring fixing plate, a		193560052	Instruction book (english)
4	147085000	Driving shaft bushing, right	66	127558001	Spring	143	142957001	Set screw		126736001	Machine cover
5	127189001	Rod shaft	67	X75786001	Feed bar	144	X75677001	Base plate			
6	138839000	Needle bar rod	68	014400532	Set screw	145	X75635000	Looper thread guide			
7	126566000	Needle bar driving lever	69	X75723000	Feed bar lever	146	127004009	Front cover block			
8	142822000	Driving shaft bushing, left	70	X75080001	Feed shaft	147	060401206	Set screw			
9	138879000	Presser lifter cam	71	047200842	Spring pin	148	126526001	Front cover stopper shaft			
10	048050346	Stop ring	72	127559000	Feed adjusting cam	149	048020346	Stop ring			
11	062670612	Set screw	73	025040232	Washer	150	126520001	Front cover stopper spring			
12	028040242	Spring washer	74	126582001	Stud screw	151	126518001	Front cover guide shaft			
13	127800001	Thread take-up	75	127561000	Feed link bushing	152	126519000	Spring			
14	126782001	Needle bar connecting link	76	127776000	Feed link	153	127334003	Oil pan			
15	127186001	Needle bar link shaft	77	127486000	Feed eccentric wheel	154	127254001	Nut			
16	126702000	Needle bar bushing, upper	78	127859001	Vertical ad justing shaft	155	127477006	Front cover hinge body			
17	X75650001	Needle bar	79	126872000	Vertical feed lever	156	126524001	Front cover pin			
18	126656001	Needle bar connecting stud	80	104908002	Set screw	157	X75720001	Set screw			
19	014060622	Set screw	90	062400804	Set screw	158	X75892001	Front cover			
20	126703000	Needle bar bushing, lower	95	127839001	Double chain looper eccentric wheel	159	127678005	Belt cover			
21	X75673001	Needle clamp	96	X75391001	Double chain looper rod	160	100197004	Washer			
22	060300616	Set screw	97	X75317001	Stud screw	161	203735001	Spring washer			
23	028030246	Spring washer	98	126661000	Looper shaft buhsing, rear	162	103741001	Set screw			
24	X75674000	Needle bar thread guide	99	127824000	Under looper joint	163		Motor complete			
25	016300422	Set Screw	100	048060342	Stop ring	164	X75770001	Set screw			
26	142935014	Needle #14	101	X75679000	Double chain looper shaft	165	126533001	Timing belt			
27	142860001	Presser adjusting screw	102	126610000	Looper shaft bushing, front	166	X75780001	Panel assembly			
28	126662001	Presser bar spring	103	X05281001	Washer	167	X75782001	Needle tension dial assembly, l			
29	127198000	presser bar guide bracket	104	127685001	Looper thread take-up	168	X75783001	Needle tension dial assembly, r			
30	100058003	Set screw	105	105123003	Set screw	169	X75784001	Over looper thread tension dial assembly			
31	126660001	Presser bar	106	017501415	Set screw	170	X75785001	Under looper thread tension dial assembly			
32	126851001	Set screw	107	X05077001	Under looper lever	171	127677003	Front cover guide			
33	138881001	Presser holder assembly	108	127840001	Double chain looper assembly	172	X75813001	Cloth guide plate			
34	127887001	Presser foot assembly	109	127813001	Needle guard plate	173	127863009	Cloth plate cover assembly			
35	X75694001	Needle plate	110	138792001	Looper rod eccentric wheel	174	X75721001	Set screw			
36	100032003	Set screw	115	127822000	Looper joint	175	014300332	Set screw			
37	126594000	Driving arm bushing, right	116	127784001	Guide shaft	176	126791001	Hinge pin			
38	048070342	Stop ring	117	025710232	Washer	177	126536004	Motor cover			
39	126595000	Driving arm bushing, left	118	127814001	Over looper	178		Model mark			
40	127656001	Upper knife holder guide shaft	119	127817001	Over looper thread guide	179	037401014	Set screw			
41	014400422	Set screw	120	127828000	Over looper shaft guide	180	114255001	Cap			
42	127669001	Upper knife holder guide	121	127786001	Over looper shaft	181	127742003	Rear cover, r			
43	127792001	Upper knife driving arm	122	127785001	Over looper stud shaft	182	062300604	Set screw			
44	126772001	Upper knife presser spring	123	048040342	Stop ring	183	X75811001	Machine body			
45	126769001	Upper knife holder	124	X05076001	Over looper shaft lever	184	126850000	Washer			
46	127734001	Upper knife	125	X75636001	Looper thread take-up	185	062401206	Set screw			
47	025350332	Washer	126	127690000	Driving shaft bushing, left	186		Sew-ight assembly			
48	060670812	Set screw	127	127788001	Driving shaft	187	127090003	Rear cover, a			
49	127805001	Upper knife driving lever	128	127833001	Needle bar eccentric wheel assembly	188	126863001	Spool cushion			
50	127795000	Upper knife driving lever guide	129	126558000	Driving shaft bushing, right	189	142914001	Spool pin			
51	127783000	Upper knife eccentric wheel	130	127797000	Washer	190	X75699001	Spool stand assembly			
52	000020412	Set screw	131	048100142	Stop ring	191	127056002	Spool stand base			
53	X75668001	Needle guard	132	127830006	Timing pulley	192	025040332	Washer			
54	X75769001	Lower knife holder	133	138849001	Set screw	193		Controllier complete			
55	X05007001	Lower knife	134	126540000	Cushion		122991002	Vinyl bag for accessories			
56	060400612	Set screw	135	X75329000	Spacer collar		X75901001	Screw driver			
57	151605002	Set screw	136	062402005	Set screw		X75902001	pincette			
58	126584000	Feed bar shaft	137	138850001	Set screw		127679003	Needle set			
60	X75150001	Set collar	138	062670812	Set screw		X75906001	Machine brush			
61	100080003	Set screw	139	126839001	Spring fixing plate, b		X75399000	Spool cap			

M546 (884-560)
T9120031
Printed in Taiwan