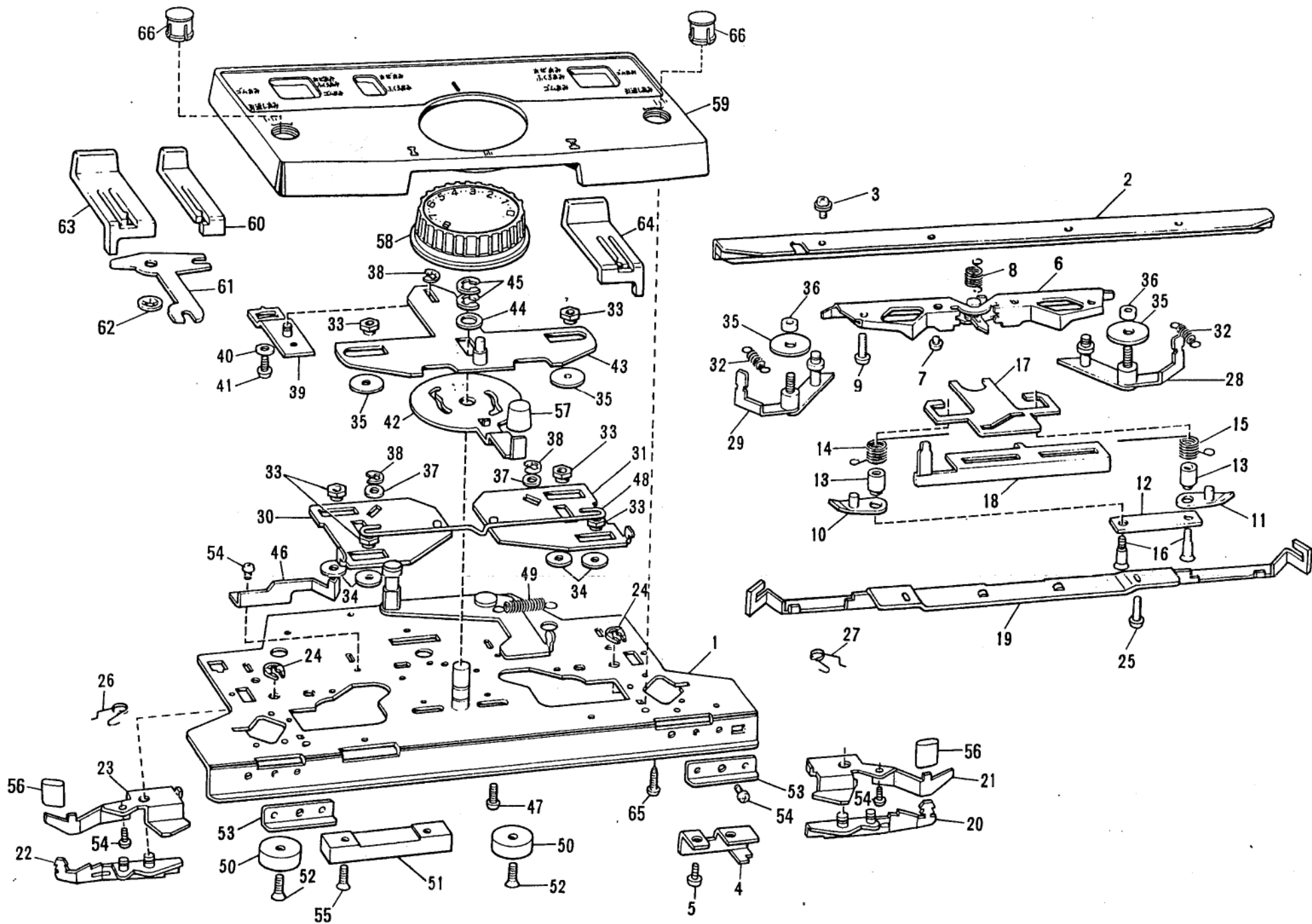


# *PARTS CATALOGUE FOR KR-838 KNITTING MACHINE*

*Parts marked “○” are new for KR-838 and not interchangeable with other models.*

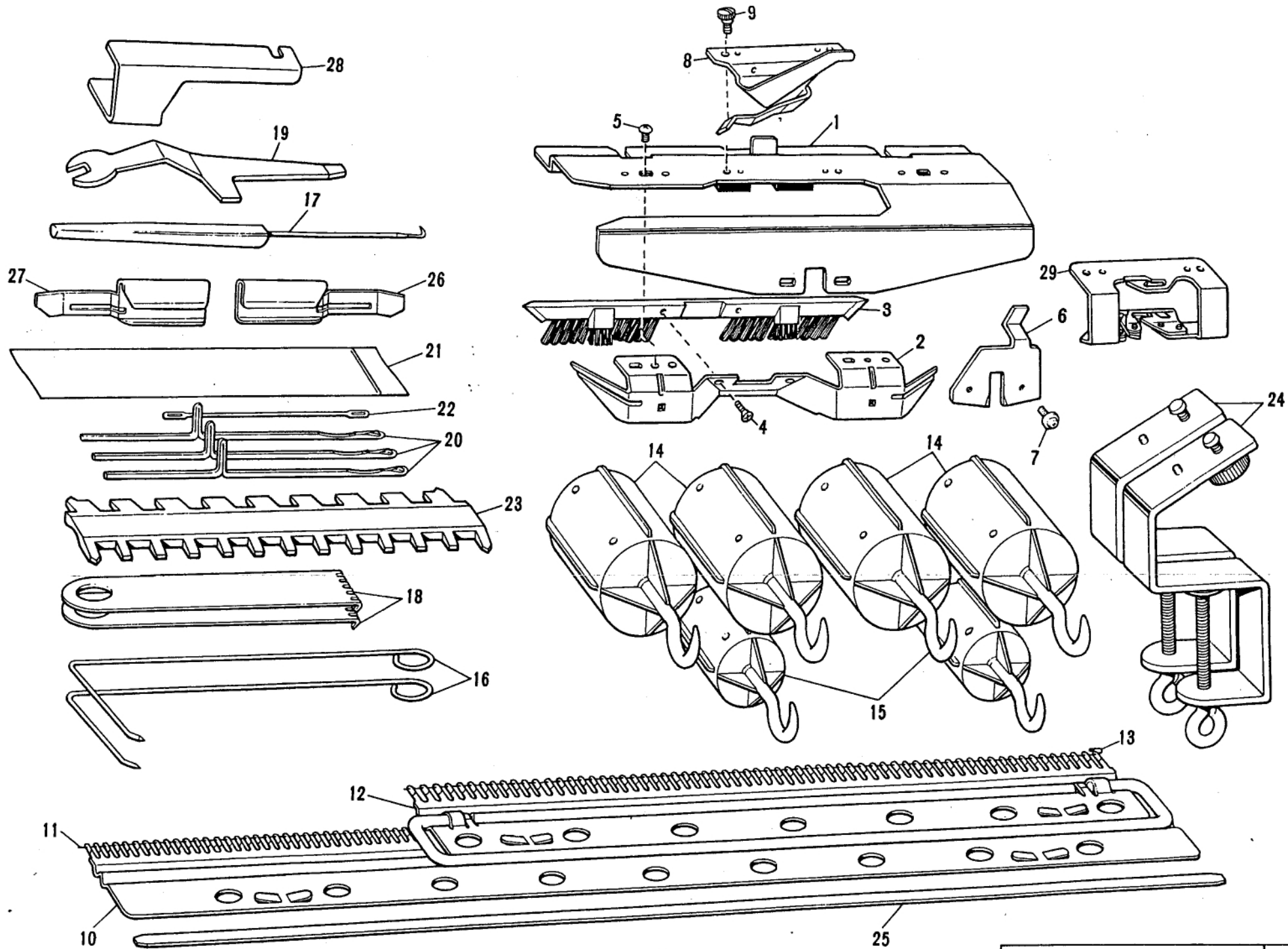


PARTS FOR CARRIAGE	Fig: A
--------------------	--------

Ref. No.	Parts No.	Description	Revised	Q'ty	Ref. No.	Parts No.	Description	Revised	Q'ty
○ A 1-66	417635001	Carriage complete set KR-838		1	50	407285000	Carriage magnet 16		2
1	410677001	Carriage plate		1	51	408838000	Magnet		1
2	408702001	Front foot		1	52	408773006	Flat head screw 3.18 × 9		2
3	409197001	Screw with washer		4	53	410695001	Carriage stopper		2
4	410681001	Stopper		1	54	060660406	+ Screw 3.18 × 4		5
5	412049006	+ Screw 3.18 × 3.5		2	55	416484001	Flat head screw 3.18 × 9.5		2
6	410708001	Sub stitch cam assembly		1	56	408774003	Change cam knob		2
7	412048006	+ Screw 3.18 × 3		2	57	408775003	Stitch cam slide lever knob		1
8	408710001	Swing cam spring		1	58	410775003	Stitch dial assembly		1
9	060660806	+ Screw 3.18 × 8		2	59	411987002	Carriage cover assembly KH-838		1
10	408711001	Tuck cam assembly, right		1	60	410719002	Tuck cam knob		1
11	408714001	Tuck cam assembly, left		1	61	408783001	Tuck cam lever		1
12	408716001	Tuck cam plate		1	62	408784001	Pushing nut		1
13	408717001	Stud for tuck cam		2	63	410720002	Raising cam lever, L		1
14	408718001	Tuck cam spring, right		1	64	410721002	Raising cam lever, R		1
15	408719001	Tuck cam spring, left		1	65	037351615	Tapping screw		4
16	407299001	Screw		2	○ 66	417638001	KR cover cap		2
17	408720000	Tuck cam change plate		1					
18	408721000	Tuck cam operating plate		1					
19	410682001	Sub raising cam		1					
20	410686001	Holding cam, R		1					
21	410685001	Guide cam, R		1					
22	410683001	Holding cam, L		1					
23	410688001	Guide cam, L		1					
24	405523001	Snap ring, 4		2					
25	409163001	+ Screw 3.18 × 13		2					
26	408318001	Change cam spring, right		1					
27	408319001	Change cam spring, left		1					
28	410691001	Stitch cam, R		1					
29	410689001	Stitch cam, L		1					
30	409094001	Stitch cam slide plate, right		1					
31	409097001	Stitch cam slide plate, left		1					
32	408759001	Raising cam spring		2					
33	408760001	Nut		6					
34	408761001	Washer		4					
35	408738001	Washer		4					
36	408739001	Collar		2					
37	403387001	Washer		2					
38	048030346	Snap ring 3		3					
39	408762001	Stitch adjuster plate assembly		1					
40	403395003	Washer		1					
41	060660506	+ Screw 3.18 × 5		1					
42	410694001	Cam slide lever		1					
43	408766001	Stitch cam guide plate assembly		1					
44	405516001	Washer		1					
45	048050346	Snap ring 5		2					
46	408769001	Stitch cam adjusting spring		1					
47	060661006	+ Screw 3.18 × 10		1					
48	410773000	Spring for cam slide lever		1					
49	408771001	Spring		1					



Ref. No.	Parts No.	Description	Revised	Q'ty	Ref. No.	Parts No.	Description	Revised	Q'ty
B 1-5	410744001	Needle bed and comb assembly		1	49	408808001	Screw 4.76		2
1	409169001	Needle bed		1	50	417199001	Nut 4.76		2
2	403368001	Needle retaining spring		1	51	408924002	Spring		2
3	407750000	Needle retaining spring holder		1	52	408810001	Nut 4.76		2
4	062630406	Screw 2.38 x 4		2	○ 45, 47-54	417642001	Bracket assembly, L		1
5	062631006	Fastening screw, 3.38 x 10		8	○ 53	417643001	Bracket left assembly		1
6	404627000	Plastic bar guide		1	54	408816001	Bracket reinforcing plate assembly, L		1
7	403208001	Plastic bar guide spring		1	55	408777001	Thumb screw		2
8	412109004	Screw 2.38 x 7		16	56	408190003	Side cover right		1
9	404935001	Notch adjusting plate assembly		1	57	408189003	Side cover left		1
10	403214001	Notch adjusting plate presser plate		1	58	405663001	Screw 3.18		4
11	408788001	Flat head screw 3.18		2	59	408191001	Needle bed fastening plate		2
12	404937001	Half pitch lever		1	60	407675002	Grip assembly		1
13	407659001	Notch plate connecting rod		1	○ 61-65	417637001	Needle bed pear cover assembly		1
14	403220001	Spring plate		1	61	408818003	Needle bed pear cover		1
15	021680206	Nut 4.37		1	○ 62	417645001	Half pitch lever indicator plate KR-838		1
16	403221001	Racking movement indicator		1	63	409016001	Yarn holder		1
17	403228003	Pattern range peg		2	64	037270816	Tapping screw		1
18	406295001	+ Screw 3.18 x 2.5		2	65	403226001	Washer 2.6		1
19	407661001	Racking movement indicator line		1	66	410072001	Screw with washer		8
20	408791001	Needle bed comb assembly		1	67	403246005	Half pitch lever knob		1
21	405077001	Nut 2.38		14	68	408194001	Plastic rivet		4
22	410651001	Slide plate assembly, R		1					
23	410652001	Slide plate assembly, L		1					
24	403237001	Slide plate guide stud		2					
25	402447003	Washer		2					
26	408793001	Nut 4.37		2					
27	407810001	Notch plate		1					
28	062680516	+ Screw 4.37 x 5		2					
29	407669001	Notch plate spring		1					
30	060660606	+ Screw 3.18 x 6		6					
31	407670001	Screw 4.37		1					
32	061660504	Screw 3.18 x 5		2					
33	407671000	Gear cover		1					
34	407672000	Gear holding plate		1					
35	407673001	Gear		1					
36	407674001	Grip spring		1					
37	408794001	Needle position indicator		1					
38	404648001	Purl needle		200					
39	404649004	Plastic bar		1					
40	408796001	Screw 4.37		1					
41	408795001	Stud screw 4.37		1					
42	408792001	Spacer		2					
43	409160001	Notch plate spring supporter		1					
○ 44-52	417639001	Bracket assembly, R		1					
○ 44	417640001	Bracket right assembly		1					
45	403267001	Lever spring		2					
46	408804001	Bracket reinforcing plate assembly, R		1					
47	047201443	Spring pin AW2		2					
48	408807001	Bracket stopper		2					



Ref. No.	Parts No.	Description	Revised	Q'ty	Ref. No.	Parts No.	Description	Revised	Q'ty
C 1-9	411990001	Connecting arm assembly		1					
1	411991001	Connecting arm		1					
2	411993001	Guide plate for needle latch		1					
3	411995001	Latch opening brush		1					
4	040280616	Tapping screw		2					
5	408305001	Screw 3.18 x 5		2					
6	408847001	Connecting adjuster plate		1					
7	408454001	Screw 3.57		2					
8	411996000	Yarn feeder		1					
9	411983001	Fastening screw for yarn feeder		2					
10	403278006	Cast-on plate, long		1					
11	410766000	Wire, long		1					
12	408822001	Cast-on plate, short		1					
13	410769000	Cast-on plate wire, short		1					
14	408014001	Large weight		4					
15	408015001	Small weight		2					
16	403285000	Weight hanger		2					
17	403286003	Work hook		1					
18	403313001	Claw weight hanger		2					
19	410759001	Adjusting tool		1					
20	404648001	Purl needle		3					
21	407483000	Spare needle case		1					
22	486101001	Double eyelet transfer needle		1					
23	408827003	1/1 x 2/2 Needle pusher		1					
24	407552001	Table clamp		2					
25	409114002	Fine knitting bar		1					
26	408829001	End stitch presser, R		1					
27	408855001	End stitch presser, L		1					
28	410762001	Carriage lock for KR		1					
29	411997001	Plating yarn feeder for KR		1					

**BROTHER INDUSTRIES, LTD.** Printed in Japan  
K0095091  
The part No. is subject to change without notice.