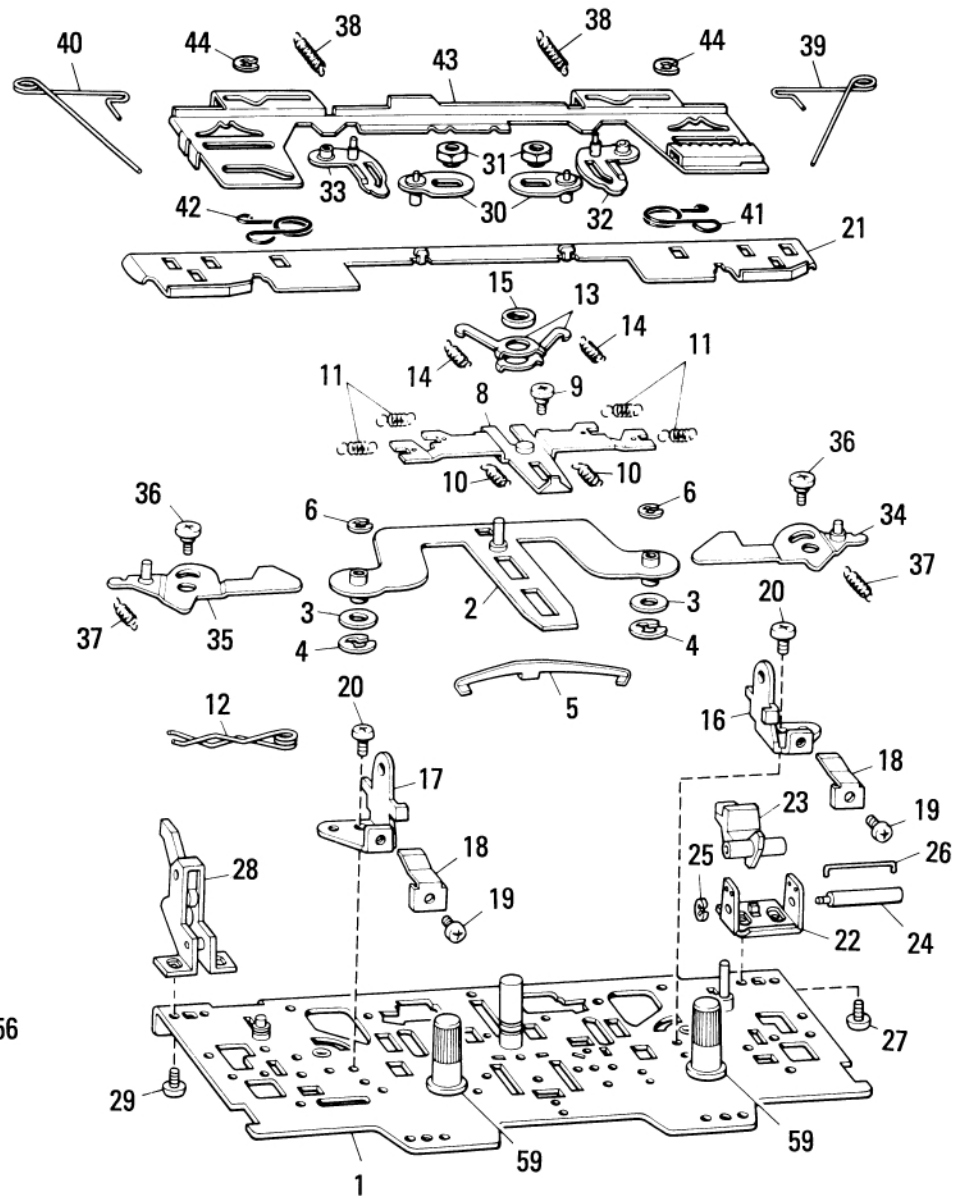
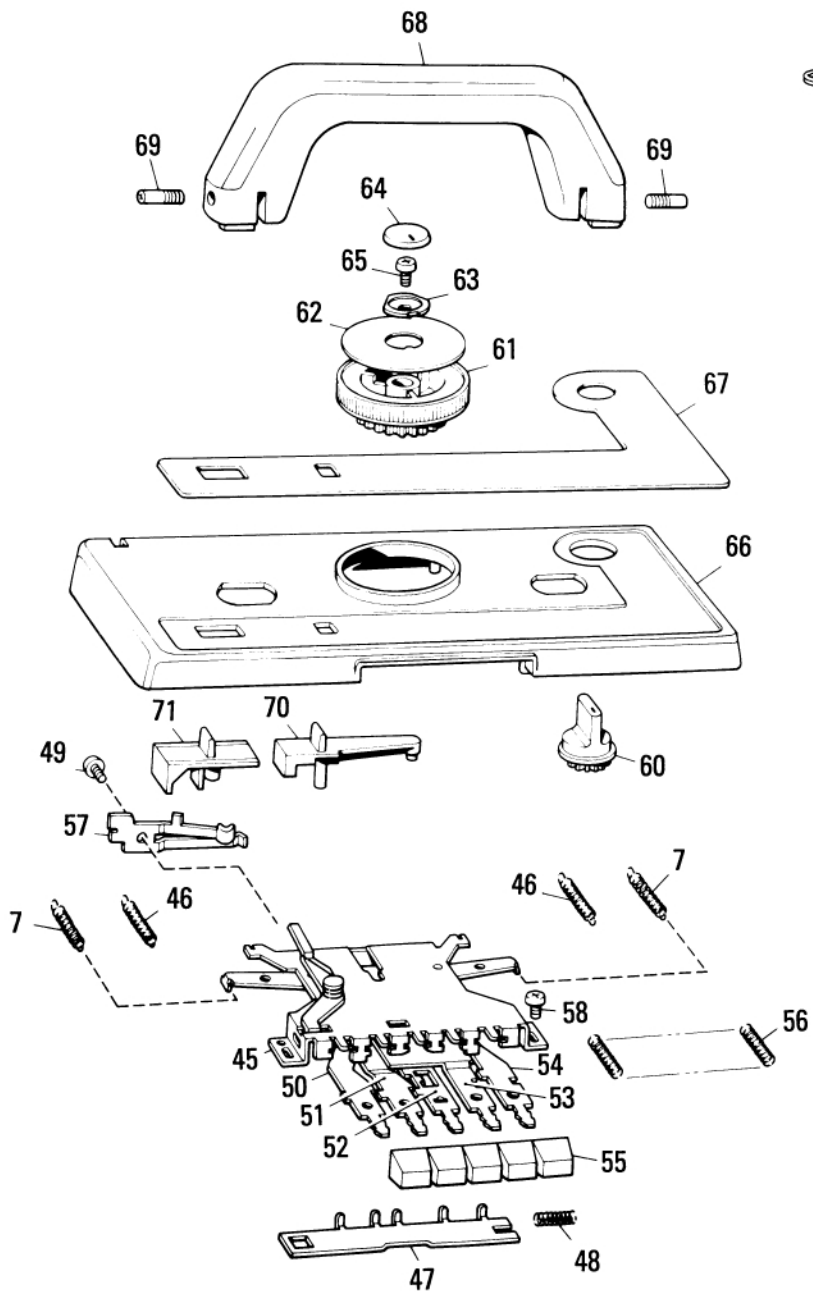


brother

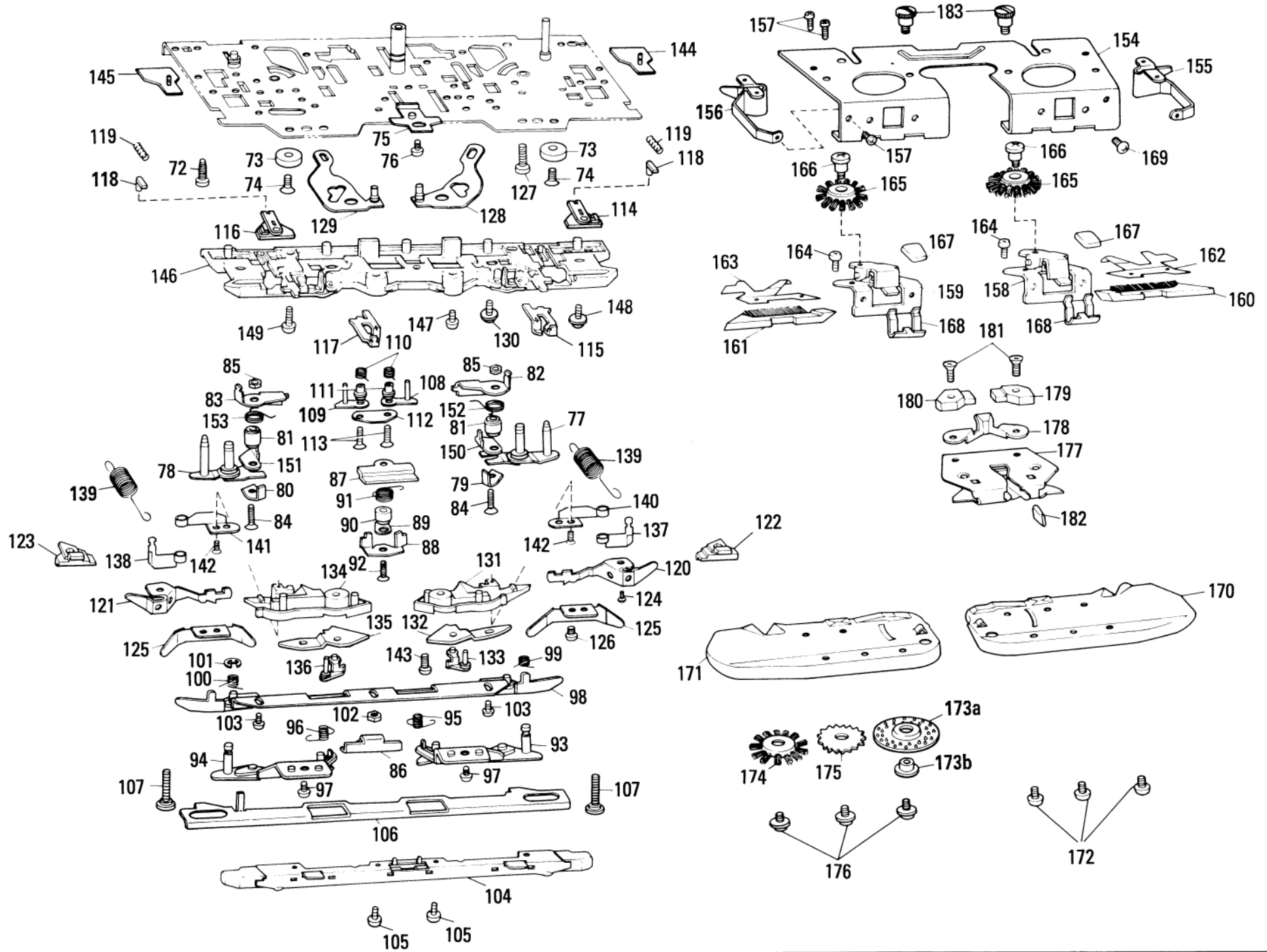
Catalogo Parti di ricambio per

KH868



PARTS FOR CARRIAGE UPPER PART FOR KH-868

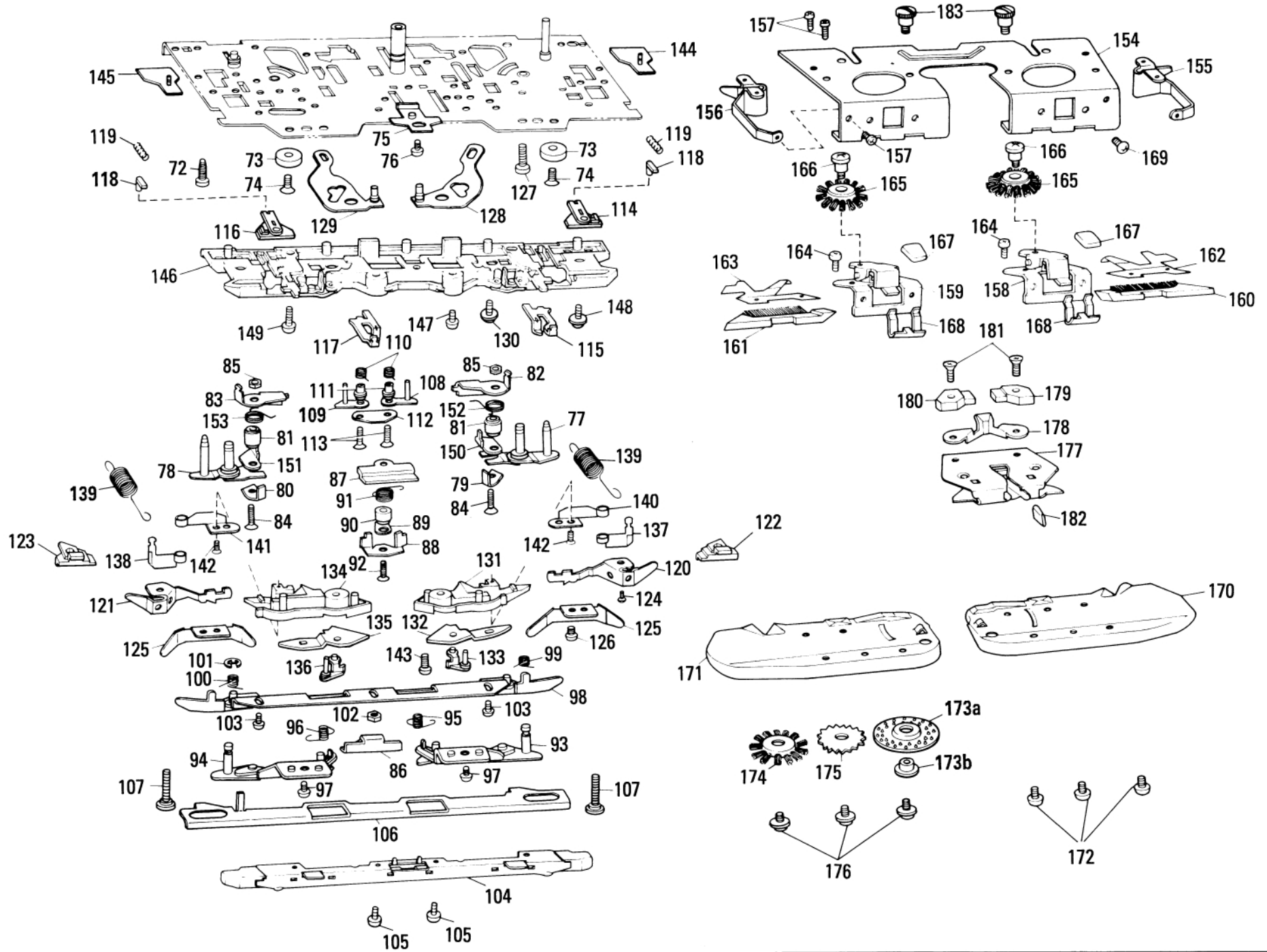
| Ref. No. | Parts No. | Description | Revised | Q'ty | Ref. No. | Parts No. | Description | Revised | Q'ty |
|---------------|-----------|--------------------------------------|---------|------|----------|-----------|--|---------|------|
| ○ AI- 1-71 | 417647001 | Carriage complete set KH-868 | | 1 | 52 | 407353001 | MC plate | | 1 |
| ○ AII- 72-183 | | | | | 53 | 407354001 | Part plate, L | | 1 |
| 1 | 409501001 | Carriage plate | | 1 | 54 | 407355001 | Part plate, R | | 1 |
| 2 | 409504001 | Stitch cam guide plate | | 1 | 55 | 405302007 | Push button | | 5 |
| 3 | 405483001 | Washer | | 2 | 56 | 403008001 | Push button release spring | | 5 |
| 4 | 048070346 | Snap ring 7 | | 2 | 57 | 409595001 | Stitch dial notch spring | | 1 |
| 5 | 409506001 | Stitch cam guide plate spring | | 1 | 58 | 060670406 | Screw 3.57-40×4 | | 2 |
| 6 | 048030346 | Snap ring 3 | | 2 | 59 | 409596003 | Thumb nut | | 2 |
| 7 | 407432001 | Raising cam change spring | | 2 | 60 | 409597007 | Change knob | | 1 |
| 8 | 407692001 | Change plate | | 1 | 61 | 409599003 | Stitch dial | | 1 |
| 9 | 408491001 | Change plate guide collar | | 1 | 62 | 413581004 | Stitch dial indicator plate | | 1 |
| 10 | 407318001 | Change plate spring | | 2 | 63 | 406283001 | Stitch dial presser | | 1 |
| 11 | 407319001 | MC cam spring | | 4 | 64 | 409601006 | Stitch dial cap | | 1 |
| 12 | 407333001 | H.C.L. spring | | 1 | 65 | 060660606 | Screw 3.18-40×6 | | 1 |
| 13 | 407341001 | Tuck cam operating plate | | 2 | ○ 66-67 | 417648001 | K carriage cover assembly KH-868 | | 1 |
| 14 | 407342001 | Tuck cam spring | | 2 | ○ 66 | 417475001 | K carriage cover | | 1 |
| 15 | 407343051 | Presser ring | | 1 | ○ 67 | 417649001 | K carriage cover decoration plate KH-868 | | 1 |
| 16 | 413599001 | Handle setting base, right | | 1 | 68 | 409605007 | K carriage handle | | 1 |
| 17 | 413600001 | Handle setting base, left | | 1 | 69 | 409608001 | Screw | | 2 |
| 18 | 409522001 | Handle lock spring | | 2 | 70 | 409609005 | Plain lever knob | | 1 |
| 19 | 060670406 | Screw 3.57-40×4 | | 2 | 71 | 409610005 | H.C.L. knob | | 1 |
| 20 | 060680506 | Screw 4.37-40×5 | | 2 | | | | | |
| 21 | 409554001 | Rear plate | | 1 | | | | | |
| 22-26 | 410130001 | Row counter tripper | | 1 | | | | | |
| 27 | 060660406 | Screw 3.18-40×4 | | 2 | | | | | |
| ○ 28 | 410132101 | Knit leader tripper | | 1 | | | | | |
| 29 | 060660406 | Screw 3.18-40×4 | | 2 | | | | | |
| 30 | 409567001 | S.M. cam lever | | 2 | | | | | |
| 31 | 409571001 | Nut | | 2 | | | | | |
| 32 | 409572001 | S.M. cam change crank, right | | 1 | | | | | |
| 33 | 409576001 | S.M. cam change crank, left | | 1 | | | | | |
| 34 | 409578001 | Cam change plate, right | | 1 | | | | | |
| 35 | 409581001 | Cam change plate, left | | 1 | | | | | |
| 36 | 408506001 | Stud screw 3.18 | | 2 | | | | | |
| 37 | 410928001 | Selection guide spring | | 2 | | | | | |
| 38 | 409585001 | Needle selection change lever spring | | 2 | | | | | |
| 39 | 409498001 | Valve cam E spring, right | | 1 | | | | | |
| 40 | 409499001 | Valve cam E spring, left | | 1 | | | | | |
| 41 | 409543001 | Connecting plate spring, right | | 1 | | | | | |
| 42 | 409544001 | Connecting plate spring, left | | 1 | | | | | |
| 43 | 409565001 | Upper slide plate | | 1 | | | | | |
| 44 | 048040346 | Snap ring 4 | | 2 | | | | | |
| 45-57 | 409590003 | Cam button unit | | 1 | | | | | |
| 45 | 409591001 | Cam button unit body | | 1 | | | | | |
| 46 | 407512001 | Raising cam spring | | 2 | | | | | |
| 47 | 409593001 | Stopper plate | | 1 | | | | | |
| 48 | 405524001 | Stopper spring | | 1 | | | | | |
| 49 | 060660506 | Screw 3.18-40×5 | | 1 | | | | | |
| 50 | 407351001 | Tuck plate, L | | 1 | | | | | |
| 51 | 409594001 | Tuck plate, R | | 1 | | | | | |



PARTS FOR CARRIAGE LOWER PART FOR KH-868 Fig: A II

PARTS FOR CARRIAGE LOWER PART FOR KH-868

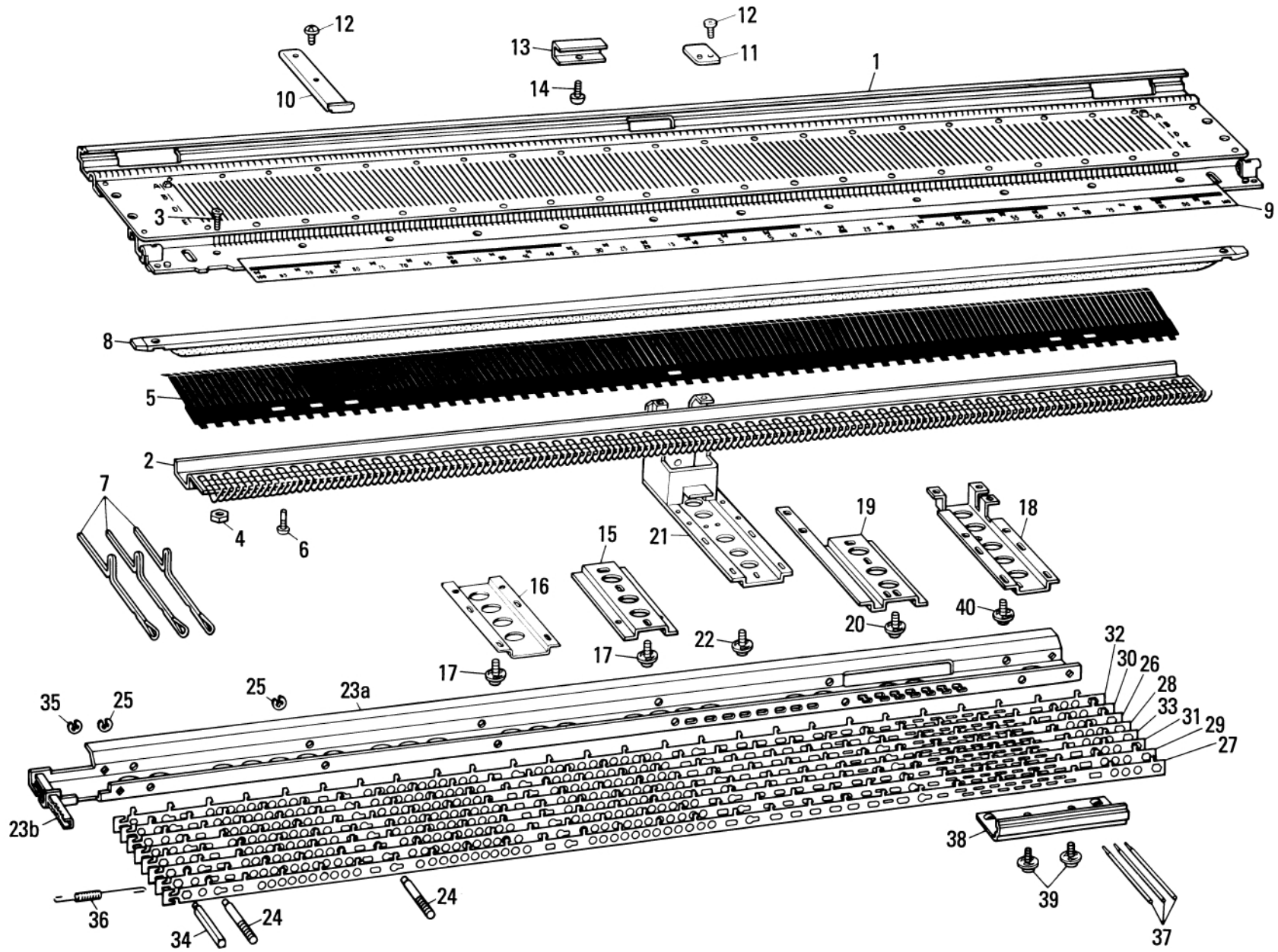
| Ref. No. | Parts No. | Description | Revised | Q'ty | Ref. No. | Parts No. | Description | Revised | Q'ty |
|----------|-----------|--------------------------------------|---------|------|----------|-----------|--------------------------------------|---------|------|
| AII- 72 | 037351615 | Tapping screw 3.5 × 16 | | 2 | 121 | 409898001 | Separation cam, left | | 1 |
| 73 | 407285000 | Carriage magnet 16 | | 2 | 122 | 410929000 | Buffer right, for selected needle | | 1 |
| 74 | 408773006 | Flat head screw 3.18 × 9 | | 2 | 123 | 410930000 | Buffer left, for selected neele | | 1 |
| 75 | 407289001 | Stripe adjuster plate | | 1 | 124 | 060660406 | Screw 3.18—40×4 | | 2 |
| 76 | 412050006 | Screw 3.57—40×3.5 | | 1 | 125 | 409519001 | Guide cam F | | 2 |
| 77 | 410094001 | Stitch cam assembly, right | | 1 | 126 | 062660406 | Screw 3.18—40×4 | | 2 |
| 78 | 410097001 | Stitch cam assembly, left | | 1 | 127 | 062681206 | Screw 4.37—40×12 | | 2 |
| 79 | 407296001 | Sub stitch cam, right | | 1 | 128 | 409523001 | Needle selection change plate, right | | 1 |
| 80 | 407297001 | Sub stitch cam, left | | 1 | 129 | 409526001 | Needle selection change plate, left | | 1 |
| 81 | 407298001 | Sub stitch cam shaft | | 2 | 130 | 409528001 | Stud screw | | 2 |
| 82 | 407313001 | MC cam, right | | 1 | 131 | 411491001 | Selection cam, right | | 1 |
| 83 | 407314001 | MC cam, left | | 1 | 132 | 411489001 | Selection cam plate, right | | 1 |
| 84 | 407312001 | Screw | | 2 | 133 | 409530001 | Needle selection change cam, right | | 1 |
| 85 | 021660306 | Nut 3.18—40 | | 2 | 134 | 411492001 | Selection cam, left | | 1 |
| 86 | 408465001 | Slide cam | | 1 | 135 | 411490001 | Selection cam plate, left | | 1 |
| 87 | 408466001 | Slide cam guide | | 1 | 136 | 409535001 | Needle selection change cam, left | | 1 |
| 88 | 407356001 | Guide cam C | | 1 | 137 | 414203001 | Valve cam F, right | | 1 |
| 89 | 407635001 | Valve cam C | | 1 | 138 | 414204001 | Valve cam F, left | | 1 |
| 90 | 408467051 | Shaft for guide cam C | | 1 | 139 | 410129001 | Valve cam F spring | | 2 |
| 91 | 407636001 | Valve cam C spring | | 1 | 140 | 409537001 | Guide cam G, right | | 1 |
| 92 | 413557001 | Flat head screw C | | 1 | 141 | 409538001 | Guide cam G, left | | 1 |
| 93 | 408468001 | Guide cam B, right | | 1 | 142 | 410030001 | Flat head screw 2.38 × 14 | | 2 |
| 94 | 408471001 | Guide cam B, left | | 1 | 143 | 060661006 | Screw 3.18—40×10 | | 2 |
| 95 | 408473001 | Valve cam B spring, right | | 1 | 144 | 409539001 | Connecting plate, right | | 1 |
| 96 | 408474001 | Valve cam B spring, left | | 1 | 145 | 409541001 | Connecting plate, left | | 1 |
| 97 | 408305002 | Screw 3.18 × 5 | | 2 | 146 | 412219001 | Rear foot | | 1 |
| 98-101 | 407455001 | Guide cam A assembly | | 1 | 147 | 060660406 | Screw 3.18—40×4 | | 2 |
| 98 | 407320001 | Guide cam A | | 1 | 148 | 409494001 | Screw 3.57 | | 2 |
| 99 | 407325001 | Holding cam spring, right | | 1 | 149 | 060661216 | Screw 3.18—40×12 | | 2 |
| 100 | 407326001 | Holding cam spring, left | | 1 | 150 | 410488001 | Valve cam D, right | | 1 |
| 101 | 048030346 | Snap ring 3 | | 2 | 151 | 410489001 | Valve cam D, left | | 1 |
| 102 | 408524001 | Nut | | 1 | 152 | 410490001 | Valve cam D spring, right | | 1 |
| 103 | 408305002 | Screw 3.18 × 5 | | 2 | 153 | 410491001 | Valve cam D spring, left | | 1 |
| 104 | 409892001 | Front foot | | 1 | 154-183 | 411008003 | Sinker plate complete set | | 1 |
| 105 | 408305002 | Screw 3.18 × 5 | | 2 | 154-176 | 411009003 | Sinker plate assembly without feeder | | 1 |
| 106 | 407328000 | Front slide plate | | 1 | 154 | 409979001 | Sinker plate arm | | 1 |
| 107 | 408504001 | Stud screw 3.18 | | 2 | 155 | 407427000 | Weaving thread guide, right | | 1 |
| 108 | 407579001 | Tuck cam, right | | 1 | 156 | 407428000 | Weaving thread guide, left | | 1 |
| 109 | 407586001 | Tuck cam, left | | 1 | 157 | 409162001 | Tapping screw 2.6 | | 6 |
| 110 | 407338001 | Tuck cam spring | | 1 | 158 | 410026001 | Weaving lever assembly, right | | 1 |
| 111 | 407339001 | Shaft for tuck cam | | 2 | 159 | 410027001 | Weaving lever assembly, left | | 1 |
| 112 | 407340001 | Tuck cam plate | | 1 | 160 | 410003001 | Latch opening brush, right | | 1 |
| 113 | 407299001 | Screw | | 2 | 161 | 410004001 | Latch opening brush, left | | 1 |
| 114 | 410922002 | Selection cam for right end needle | | 1 | 162 | 408607000 | Latch presser plate, right | | 1 |
| 115 | 410924101 | Selection guide for right end needle | | 1 | 163 | 408608000 | Latch presser plate, left | | 1 |
| 116 | 410923002 | Selection cam for left end needle | | 1 | 164 | 037280616 | Screw 2.6 × 6 | | 4 |
| 117 | 410925101 | Selection guide for left end needle | | 1 | 165 | 407437001 | Weaving pattern brush | | 2 |
| 118 | 410926001 | End needle selection switch cam | | 2 | 166 | 408316001 | Stud screw for weaving pattern brush | | 2 |
| 119 | 412215001 | End needle selection cam spring | | 2 | 167 | 409629003 | Weaving lever knob | | 2 |
| 120 | 409897001 | Separation cam, right | | 1 | 168 | 407441001 | Weaving lever spring | | 2 |



PARTS FOR CARRIAGE LOWER PART FOR KH-868 **Fig: A II**

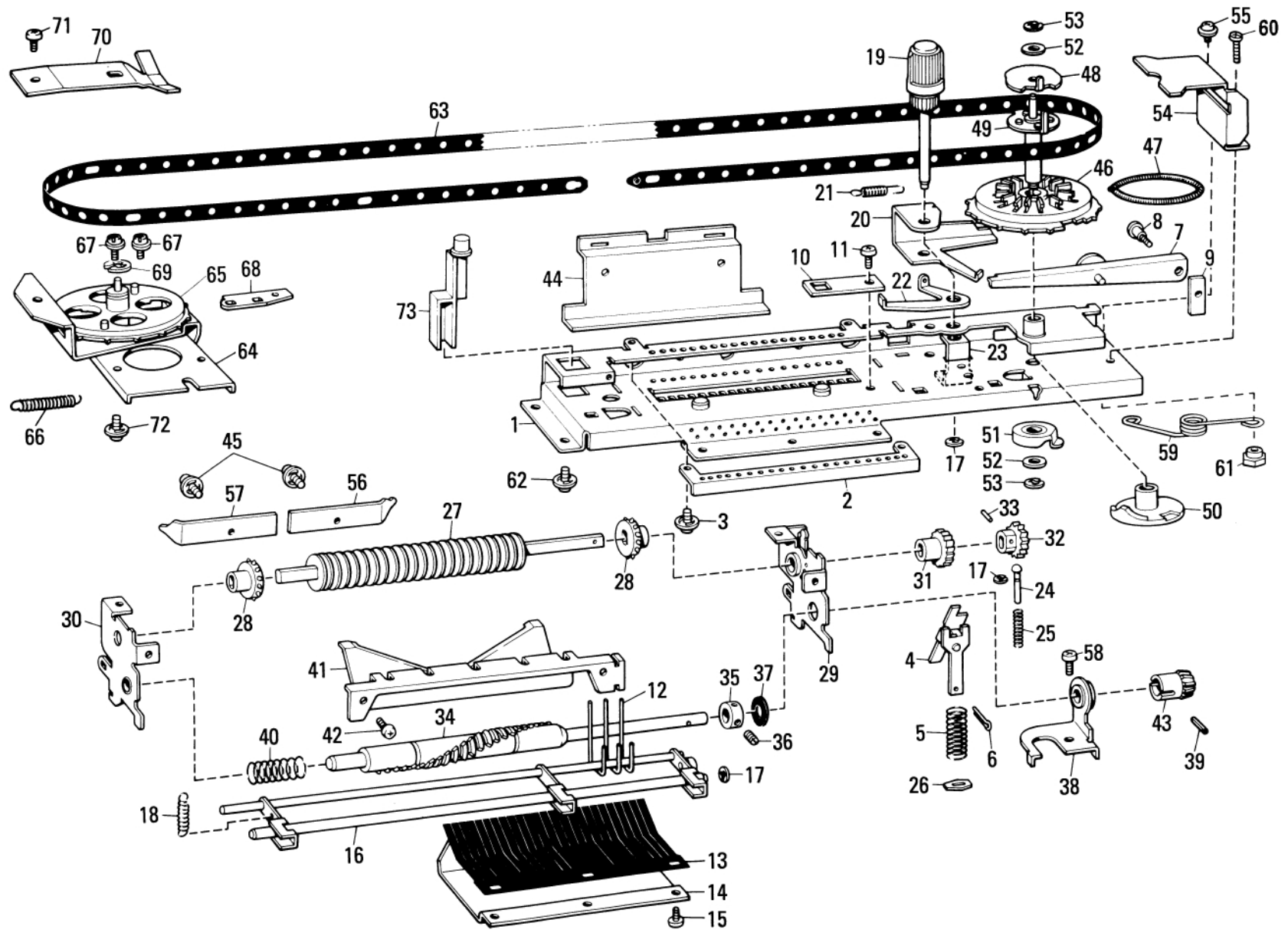
PARTS FOR CARRIAGE LOWER PART FOR KH-868

| Ref. No. | Parts No. | Description | Revised | Q'ty | Ref. No. | Parts No. | Description | Revised | Q'ty |
|----------|-----------|-----------------------------|---------|------|----------|-----------|-------------|---------|------|
| AII- 169 | 408305001 | Screw 3.18 × 5 | | 4 | | | | | |
| 170 | 409614001 | Sinker plate, right | | 1 | | | | | |
| 171 | 409618001 | Sinker plate, left | | 1 | | | | | |
| 172 | 412048006 | Screw 3.18-40×3 | | 6 | | | | | |
| 173 | 410988001 | Rubber wheel assembly | | 2 | | | | | |
| 173a | 410969001 | Rubber wheel | | 2 | | | | | |
| 173b | 410970001 | Holder | | 2 | | | | | |
| 174 | 407702001 | Wheel brush | | 2 | | | | | |
| 175 | 405184002 | Plastic gear | | 2 | | | | | |
| 176 | 409621001 | Screw 3.18×4 | | 6 | | | | | |
| 177-182 | 409980001 | Double yarn feeder assembly | | 1 | | | | | |
| 177 | 409981001 | Yarn feeder body | | 1 | | | | | |
| 178 | 409625000 | Magnet holder plate | | 1 | | | | | |
| 179 | 407454000 | Magnet, right | | 1 | | | | | |
| 180 | 407578000 | Magnet, left | | 1 | | | | | |
| 181 | 413247001 | Screw 2.38 × 10 | | 2 | | | | | |
| 182 | 407450004 | Yarn feeder knob | | 1 | | | | | |
| 183 | 409626001 | Thumb screw | | 2 | | | | | |



PARTS FOR NEEDLE BED

| Ref. No. | Parts No. | Description | Revised | Q'ty | Ref. No. | Parts No. | Description | Revised | Q'ty |
|----------|-----------|-------------|---------|------|----------|-----------|-------------|---------|------|
| ○B- | 1 | 412803101 | | 1 | | | | | |
| ○ | 2 | 410154101 | | 1 | | | | | |
| | 3 | 412109004 | | 12 | | | | | |
| | 4 | 405077001 | | 12 | | | | | |
| | 5 | 407112001 | | 1 | | | | | |
| | 6 | 407687001 | | 3 | | | | | |
| | 7 | 407113001 | | 200 | | | | | |
| | 8 | 409643003 | | 1 | | | | | |
| | 9 | 407114002 | | 1 | | | | | |
| | 10 | 410170000 | | 1 | | | | | |
| | 11 | 413952000 | | 1 | | | | | |
| | 12 | 417894001 | | 2 | | | | | |
| | 13 | 409656000 | | 1 | | | | | |
| | 14 | 412048006 | | 1 | | | | | |
| | 15 | 407120000 | | 1 | | | | | |
| | 16 | 407123000 | | 1 | | | | | |
| | 17 | 409197001 | | 6 | | | | | |
| | 18 | 407121000 | | 1 | | | | | |
| | 19 | 408061000 | | 1 | | | | | |
| | 20 | 409197001 | | 6 | | | | | |
| ○ | 21 | 410161101 | | 1 | | | | | |
| | 22 | 409197001 | | 4 | | | | | |
| | 23-36 | 410668001 | | 1 | | | | | |
| | 23-25 | 410669001 | | 1 | | | | | |
| | 24 | 408159001 | | 6 | | | | | |
| | 25 | 048025346 | | 6 | | | | | |
| | 26 | 408088001 | | 1 | | | | | |
| | 27 | 408089001 | | 1 | | | | | |
| | 28 | 408090001 | | 1 | | | | | |
| | 29 | 408091001 | | 1 | | | | | |
| | 30 | 408092001 | | 1 | | | | | |
| | 31 | 408093001 | | 1 | | | | | |
| | 32 | 408094001 | | 1 | | | | | |
| | 33 | 408095001 | | 1 | | | | | |
| | 34 | 408172001 | | 1 | | | | | |
| | 35 | 048025346 | | 1 | | | | | |
| | 36 | 408086001 | | 8 | | | | | |
| | 37 | 408098001 | | 24 | | | | | |
| | 38 | 408099001 | | 1 | | | | | |
| | 39 | 409197001 | | 2 | | | | | |
| | 40 | 409197001 | | 8 | | | | | |

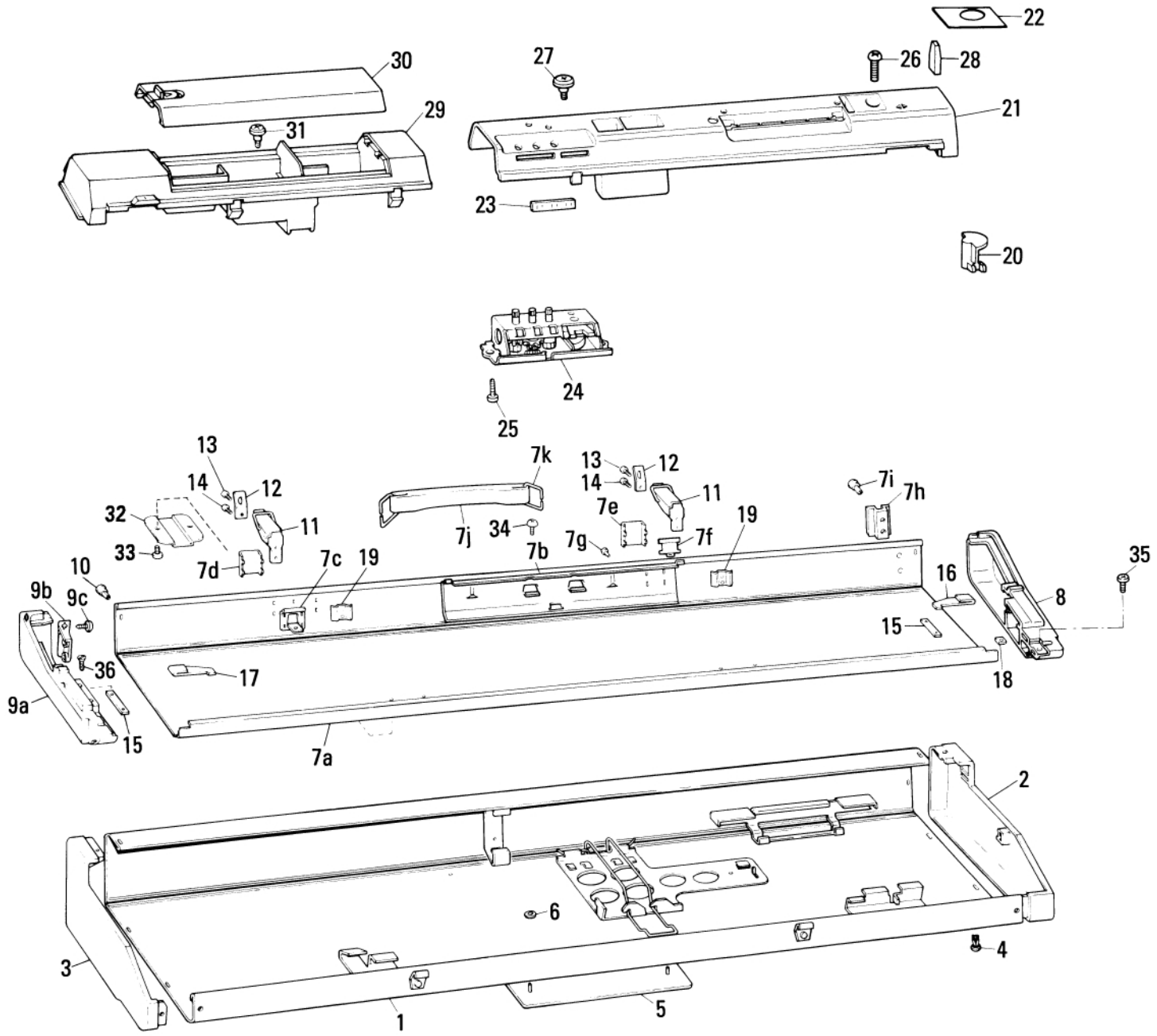


PARTS FOR NEEDLE SELECTOR UNIT

Fig: C

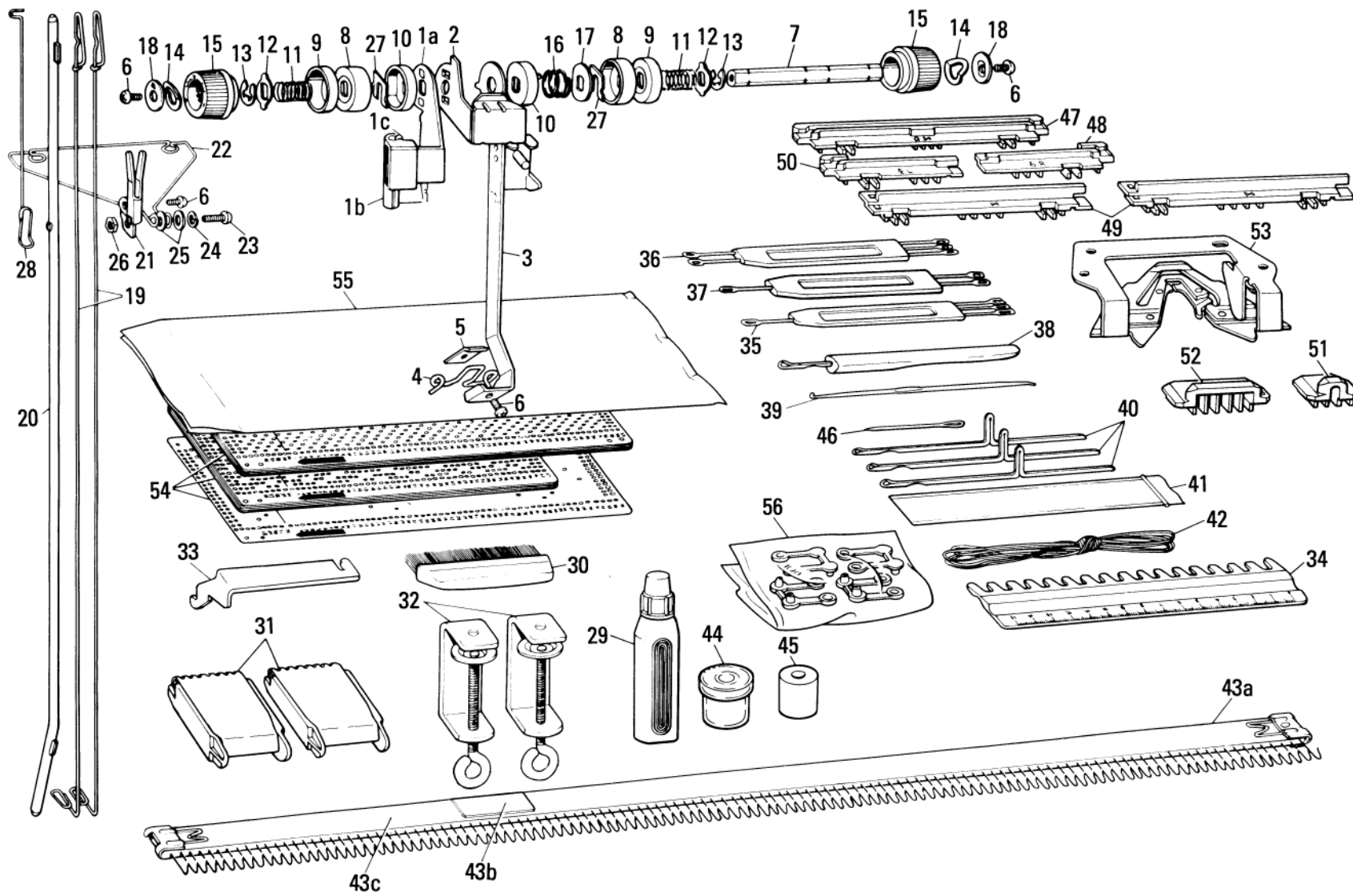
PARTS FOR NEEDLE SELECTOR UNIT

| Ref. No. | Parts No. | Description | Revised | Q'ty | Ref. No. | Parts No. | Description | Revised | Q'ty |
|----------|-----------|--------------------------------------|---------|------|----------|-----------|--------------------------------|---------|------|
| C- 1-61 | 413094002 | Needle selector unit | | 1 | 49 | 407206001 | Clutch cam A | | 1 |
| C- 1 | 409662002 | Needle selector unit body | | 1 | 50 | 408082000 | Card feeding cam | | 1 |
| 2 | 409679000 | Card reader adjusting plate | | 1 | 51 | 412871000 | Card reader release cam | | 1 |
| 3 | 409197001 | Screw with washer | | 2 | 52 | 025350333 | Washer 3.5 | | 2 |
| 4 | 409665001 | Ratchet assembly | | 1 | 53 | 048025346 | Snap ring 2.5 | | 2 |
| 5 | 407145001 | Ratchet operation plate spring | | 1 | 54 | 408084000 | Timing belt guide plate, right | | 1 |
| 6 | 045100802 | Split pin | | 1 | 55 | 409197001 | Screw with washer | | 1 |
| 7 | 408529001 | Card feeding lever assembly | | 1 | 56 | 408309001 | Spring plate, R | | 1 |
| 8 | 408534001 | Stud screw | | 1 | 57 | 408308001 | Spring plate, L | | 1 |
| 9 | 407197000 | Card feeding adjuster plate | | 1 | 58 | 060660406 | Screw 3.18-40x4 | | 1 |
| 10 | 408068001 | Card reader guide stopper | | 1 | 59 | 412870001 | Card reader release cam spring | | 1 |
| 11 | 060660406 | Screw 3.18-40x4 | | 1 | 60 | 060660806 | Screw 3.18-40x8 | | 1 |
| 12 | 407152001 | Card reader | | 24 | 61 | 408760001 | Nut | | 1 |
| 13 | 408315001 | Card reader spring | | 1 | 62 | 409197001 | Screw with washer | | 5 |
| 14 | 408213000 | Card reader spring presser plate | | 1 | 63 | 408181001 | Timing belt | | 1 |
| 15 | 060660406 | Screw 3.18-40x4 | | 3 | 64-69 | 410012002 | Pulley assembly | | 1 |
| 16 | 408069001 | Card reader release plate assembly | | 1 | 64 | 410022001 | Pulley holder plate | | 1 |
| 17 | 048020345 | Snap ring 2 | | 3 | 65 | 408178002 | Pulley | | 1 |
| 18 | 407161001 | Spring for card reader release plate | | 1 | 66 | 410016001 | Belt tension control spring | | 1 |
| 19 | 410936005 | Card feeding knob assembly | | 1 | 67 | 406397001 | Screw with washer | | 2 |
| 20 | 408535000 | Intermittent feeding lever | | 1 | 68 | 410071000 | Pulley adjusting plate | | 1 |
| 21 | 408536001 | Intermittent feeding lever spring | | 1 | 69 | 048050346 | Snap ring 5 | | 1 |
| 22 | 408537000 | Change lever | | 1 | 70 | 407597001 | Brake spring | | 1 |
| 23 | 407193000 | Card feeding knob stopper cam | | 1 | 71 | 060660406 | Screw 3.18-40x4 | | 1 |
| 24 | 407179001 | Card position guide pin | | 1 | 72 | 409197001 | Screw with washer | | 2 |
| 25 | 407180001 | Spring | | 1 | 73 | 409711003 | Push button | | 1 |
| 26 | 407464000 | Ratchet spring stopper ring | | 1 | | | | | |
| 27-42 | 410938001 | Card feeding unit | | 1 | | | | | |
| 27 | 407162001 | Card roller | | 1 | | | | | |
| 28 | 407164001 | Feeding gear | | 2 | | | | | |
| 29 | 409673001 | Card roller holder right assembly | | 1 | | | | | |
| 30 | 408075001 | Card roller holder, left | | 1 | | | | | |
| 31 | 407176000 | Ratchet wheel | | 1 | | | | | |
| 32 | 407177000 | Card position guide gear | | 1 | | | | | |
| 33 | 047251042 | Spring pin AW2.5 | | 1 | | | | | |
| 34 | 408078002 | Rotary cam | | 1 | | | | | |
| 35 | 137768151 | Rotary cam adjuster collar | | 1 | | | | | |
| 36 | 014400435 | Stopper screw | | 2 | | | | | |
| 37 | 409658001 | Washer 8.1 | | 1 | | | | | |
| 38 | 409659001 | Bevel gear stopper plate | | 1 | | | | | |
| 39 | 047251442 | Spring pin AW 2.5 | | 1 | | | | | |
| 40 | 408165001 | Rotary cam spring | | 1 | | | | | |
| 41 | 410939001 | Card guide | | 1 | | | | | |
| 42 | 060660406 | Screw 3.18-40x4 | | 2 | | | | | |
| 43 | 409191000 | Bevel gear | | 1 | | | | | |
| 44 | 407188000 | Card reader holder | | 1 | | | | | |
| 45 | 409197001 | Screw with washer | | 2 | | | | | |
| 46 | 412166001 | Clutch wheel assembly | | 1 | | | | | |
| 47 | 410017001 | Clutch spring | | 1 | | | | | |
| 48 | 407205001 | Clutch cam B | | 1 | | | | | |



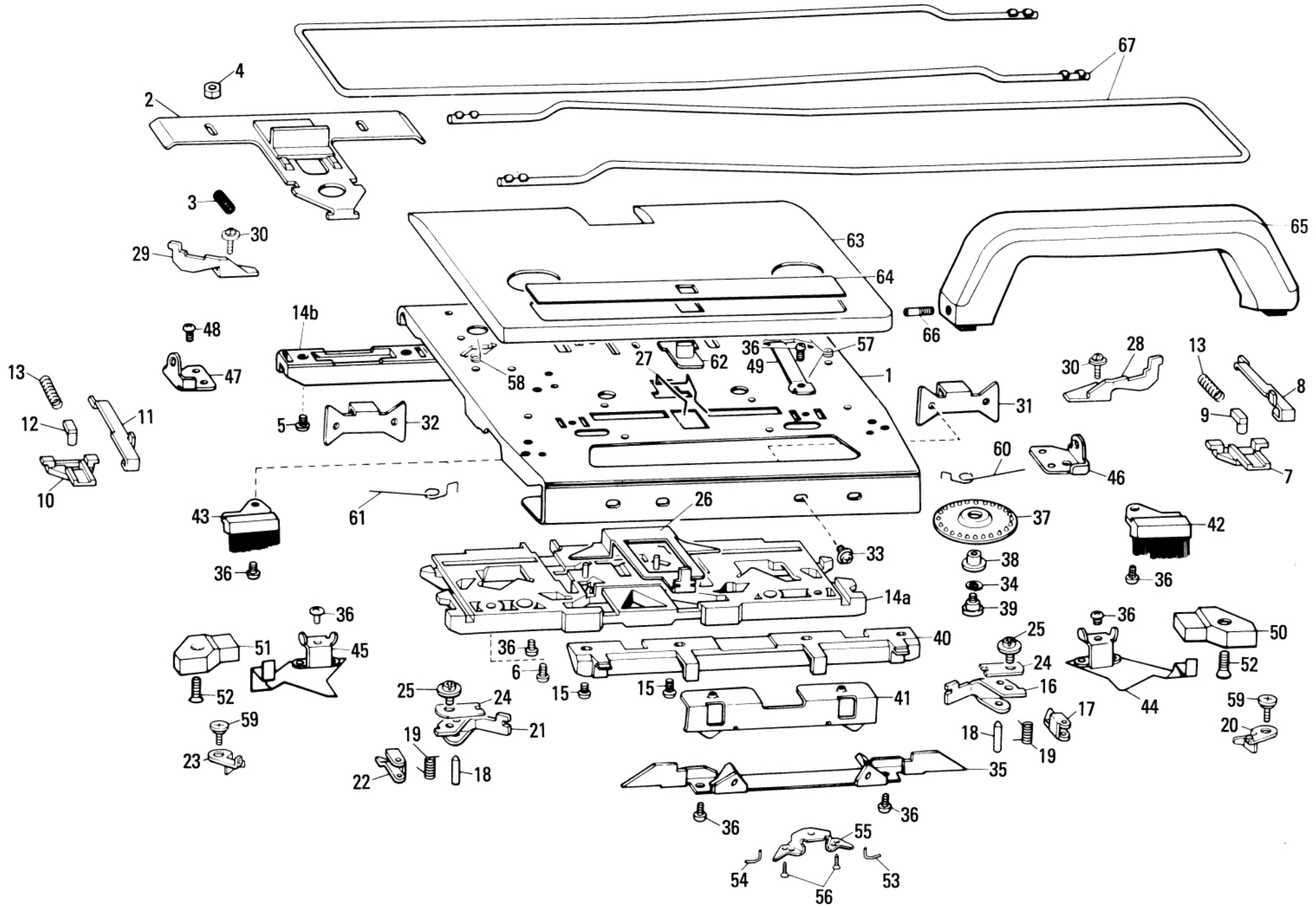
PARTS FOR CARRYING CASE

| Ref. No. | Parts No. | Description | Revised | Q'ty | Ref. No. | Parts No. | Description | Revised | Q'ty |
|-------------------|-----------|-------------------------------------|---------|------|----------|-----------|-------------|---------|------|
| ○ D-1-4, 5a, 6-19 | 417650001 | Carrying case complete KH-868 | | 1 | | | | | |
| ○ 1-4, 5b, 6-19 | 417466001 | Carrying case complete KH-894 | | 1 | | | | | |
| ○ 1-4, 5a, 6 | 417651001 | Carrying case upper assembly KH-868 | | 1 | | | | | |
| ○ 1-4, 5b, 6 | 417467001 | Carrying case upper assembly KH-894 | | 1 | | | | | |
| ○ 1 | 417307001 | Carrying case upper body | | 1 | | | | | |
| 2 | 409692003 | Upper side plate, R | | 1 | | | | | |
| 3 | 409693003 | Upper side plate, L | | 1 | | | | | |
| 4 | 408194003 | Plastic rivet | | 10 | | | | | |
| ○ 5a | 417652001 | Brother name plate 868 | | 1 | | | | | |
| ○ 5b | 417468001 | Brother name plate 894 | | 1 | | | | | |
| 6 | 408784001 | Pushing nut | | 2 | | | | | |
| ○ 7-19 | 417306101 | Carrying case lower assembly | | 1 | | | | | |
| ○ 7 | 417308101 | Carrying case lowr body | | 1 | | | | | |
| 8 | 409698003 | Lower side plate, R | | 1 | | | | | |
| 9a | 409699003 | Lower side plate, L | | 1 | | | | | |
| 9b | 414005001 | Yarn tension support base | | 1 | | | | | |
| 9c | 037281216 | Tapping screw 2.6 × 12 | | 4 | | | | | |
| 10 | 408194003 | Plastic rivet | | 6 | | | | | |
| 11 | 404022002 | Carrying case lock assembly | | 2 | | | | | |
| 12 | 404027001 | Carrying case lock spring | | 2 | | | | | |
| 13 | 405658001 | Screw 3.18 | | 2 | | | | | |
| 14 | 405658001 | Screw 3.18 | | 2 | | | | | |
| 15 | 407265001 | Needle bed fastening plate | | 2 | | | | | |
| 16 | 409640001 | Extension rail lock spring, R | | 1 | | | | | |
| 17 | 409639001 | Extension rail lock spring, L | | 1 | | | | | |
| 18 | 409700001 | Square nut | | 2 | | | | | |
| 19 | 407115000 | Fastening plate | | 2 | | | | | |
| 20 | 409712002 | Direction indicator plate | | 1 | | | | | |
| ○ 21-25 | 417404002 | Panel assembly | | 1 | | | | | |
| ○ 21 | 417490001 | Panel | | 1 | | | | | |
| 22 | 415050003 | Panel decoration plate | | 1 | | | | | |
| 23 | 409721003 | Row counter panel | | 1 | | | | | |
| 24 | 410531003 | Row counter assembly | | 1 | | | | | |
| 25 | 037351016 | Tapping screw 3.5 × 10 | | 2 | | | | | |
| 26 | 060661606 | Screw 3.18—40×16 | | 2 | | | | | |
| 27 | 410535001 | Stud screw | | 1 | | | | | |
| 28 | 409716003 | Card lock lever knob | | 1 | | | | | |
| ○ 29-30 | 413947101 | Accessories box assembly | | 1 | | | | | |
| ○ 29 | 413948101 | Accessories box | | 1 | | | | | |
| 30 | 413949001 | Lid for box | | 1 | | | | | |
| 31 | 410535001 | Stud screw | | 1 | | | | | |
| 32 | 407261001 | Table clamp setting plate | | 2 | | | | | |
| 33 | 060660706 | Screw 3.18—40×7 | | 4 | | | | | |
| 34 | 060660406 | Screw 3.18—40×4 | | 3 | | | | | |
| 35 | 060660706 | Screw 3.18—40×7 | | 2 | | | | | |
| 36 | 407119001 | Screw 4.37 | | 4 | | | | | |



PARTS FOR ACCESSORIES

| Ref. No. | Parts No. | Description | Revised | Q'ty | Ref. No. | Parts No. | Description | Revised | Q'ty |
|-----------|-----------|----------------------------------|---------|------|----------|-----------|-------------|---------|------|
| E- 1-28 | 412183002 | Yarn tension unit assembly | | 1 | | | | | |
| 19 | 404755001 | Take-up spring | | 2 | | | | | |
| 28 | 408614001 | Sub take-up spring | | 1 | | | | | |
| 29 | 405135004 | Special knitting machine oil | | 1 | | | | | |
| 30 | 403552004 | Hand brush | | 1 | | | | | |
| 31 | 404883006 | Claw weight | | 2 | | | | | |
| 32 | 409198001 | Table clamp | | 2 | | | | | |
| 33 | 407481001 | Carriage lock | | 1 | | | | | |
| 34 | 407482004 | 1/1 Needle pusher | | 1 | | | | | |
| 35 | 402575005 | 1 × 3 Transfer tool | | 1 | | | | | |
| 36 | 402631005 | 2 × 3 Transfer tool | | 1 | | | | | |
| 37 | 402576005 | 1 × 2 Transfer tool | | 1 | | | | | |
| 38 | 407458004 | Latch tool | | 1 | | | | | |
| 39 | 414979001 | Crochet | | 1 | | | | | |
| 40 | 407113001 | Plain needle | | 3 | | | | | |
| 41 | 407483000 | Spare needle case | | 1 | | | | | |
| 42 | 402389001 | Cast-on thread | | 1 | | | | | |
| 43a-43c | 412878001 | Cast-on comb assembly | | 1 | | | | | |
| 43a | 412879001 | Cast-on comb, long | | 1 | | | | | |
| 43b | 411365000 | Connecting plate | | 1 | | | | | |
| 43c | 412881001 | Cast-on comb, short | | 1 | | | | | |
| 44-45 | 487221001 | Yarn wax with case | | 1 | | | | | |
| 46 | 402714001 | Tapestry needle | | 1 | | | | | |
| 47 | 410985002 | Single motif cam | | 1 | | | | | |
| 48 | 410975002 | Motif knitting cam, R | | 1 | | | | | |
| 49 | 410976002 | Motif knitting cam center | | 2 | | | | | |
| 50 | 410977002 | Motif knitting cam, L | | 1 | | | | | |
| 51 | 412207002 | L-Point cam for 4 needles | | 6 | | | | | |
| 52 | 412208002 | L-Point cam for 8 needles | | 6 | | | | | |
| 53 | 410971001 | Plating yarn feeder assembly | | 1 | | | | | |
| ○ 54a, 55 | 417406001 | Punch card set KH-868 | | 1 | | | | | |
| ○ 54b, 55 | 417430001 | Punch card set KH-894 | | 1 | | | | | |
| 56 | 409170001 | Plastic snap (4 pcs. in one set) | | 1 | | | | | |



PARTS FOR L-CARRIAGE

| Ref. No. | Parts No. | Description | Revised | Q'ty | Ref. No. | Parts No. | Description | Revised | Q'ty |
|----------|-----------|---|---------|------|----------|-----------|--------------------------------------|---------|------|
| OF- 1-66 | 417495001 | L carriage assembly | | 1 | 50 | 407454000 | Magnet, right | | 1 |
| 1 | 410563001 | L carriage plate | | 1 | 51 | 407578000 | Magnet, left | | 1 |
| 2 | 410954006 | Release button plate assembly | | 1 | 52 | 417596001 | Screw | | 2 |
| 3 | 410565001 | Release button plate spring | | 1 | 53 | 412141001 | Valve cam B, right for L | | 1 |
| 4 | 408166001 | Stud for release button plate | | 2 | 54 | 412142001 | Valve cam B, left for L | | 1 |
| 5 | 060660706 | Screw 3.18-×7 | | 4 | 55 | 412143001 | Rein forcing plate B | | 1 |
| 6 | 060660806 | Screw 3.18-×8 | | 2 | 56 | 040210812 | Tapping screw | | 2 |
| 7 | 410957002 | R end needle selection cam for L | | 1 | 57 | 412148001 | Valve cam C spring, right | | 1 |
| 8 | 410958001 | R end needle selection plate for L | | 1 | 58 | 412147001 | Valve cam C spring, left | | 1 |
| 9 | 410959001 | R end needle selection change cam for L | | 1 | 59 | 409528001 | Screw | | 2 |
| 10 | 410960002 | L end needle selection cam for L | | 1 | 60 | 410966001 | R end needle selection change spring | | 1 |
| 11 | 410961001 | L end needle selection plate for L | | 1 | 61 | 410967001 | L end needle selection change spring | | 1 |
| 12 | 410962001 | L end needle selection change cam for L | | 1 | 62 | 409744005 | Lace selecting knob | | 1 |
| 13 | 410963001 | End needle selection cam spring for L | | 2 | ○ 63-64 | 417496001 | L carriage cover assembly | | 1 |
| 14a | 415702001 | Main cam | | 1 | 65 | 409748007 | L carriage handle | | 1 |
| 14b | 415704000 | Rear foot | | 1 | 66 | 409751001 | Screw | | 2 |
| 15 | 060660806 | Screw 3.18-×8 | | 4 | 67 | 412205002 | Extension rail | | 2 |
| 16 | 410578001 | Separation cam R for L carriage | | 1 | | | | | |
| 17 | 408132001 | Raising cam right for L carriage | | 1 | | | | | |
| 18 | 410579001 | Shaft for separation cam | | 2 | | | | | |
| 19 | 408134001 | Raising cam spring | | 2 | | | | | |
| 20 | 412145001 | Valve cam C, right for L | | 1 | | | | | |
| 21 | 410581001 | Separation cam L for L carriage | | 1 | | | | | |
| 22 | 408137001 | Raising cam left for L carriage | | 1 | | | | | |
| 23 | 412146001 | Valve cam C, left for L | | 1 | | | | | |
| 24 | 412898000 | Presser plate | | 2 | | | | | |
| 25 | 406397001 | Screw with washer 3.18 × 5 | | 2 | | | | | |
| 26 | 408582001 | Lace selecting cam | | 1 | | | | | |
| 27 | 408583001 | Change lever spring | | 1 | | | | | |
| 28 | 410583001 | Right end needle separation cam for L | | 1 | | | | | |
| 29 | 410584001 | Left end needle separation cam for L | | 1 | | | | | |
| 30 | 410592001 | Screw 3.18-×12 | | 2 | | | | | |
| 31 | 410494001 | Needle transfer plate R | | 1 | | | | | |
| 32 | 410495001 | Needle transfer plate L | | 1 | | | | | |
| 33 | 413734001 | Screw | | 4 | | | | | |
| 34 | 028030243 | Spring washer | | 2 | | | | | |
| 35 | 408573101 | Cam plate | | 1 | | | | | |
| 36 | 060660406 | Screw 3.18-×4 | | 10 | | | | | |
| 37-38 | 411003001 | Rubber wheel assembly | | 2 | | | | | |
| 39 | 405029001 | Stud screw | | 2 | | | | | |
| 40 | 407490000 | Front foot | | 1 | | | | | |
| 41 | 418451000 | Front foot holder | | 1 | | | | | |
| 42 | 408580004 | Small brush, right | | 1 | | | | | |
| 43 | 408581004 | Small brush, left | | 1 | | | | | |
| 44 | 408561001 | Spring plate, right | | 1 | | | | | |
| 45 | 408562001 | Spring plate, left | | 1 | | | | | |
| 46 | 409740001 | Handle setting base, right | | 1 | | | | | |
| 47 | 409739001 | Handle setting base, left | | 1 | | | | | |
| 48 | 060670506 | Screw 3.57-×5 | | 2 | | | | | |
| 49 | 407522001 | Handle lock spring | | 2 | | | | | |