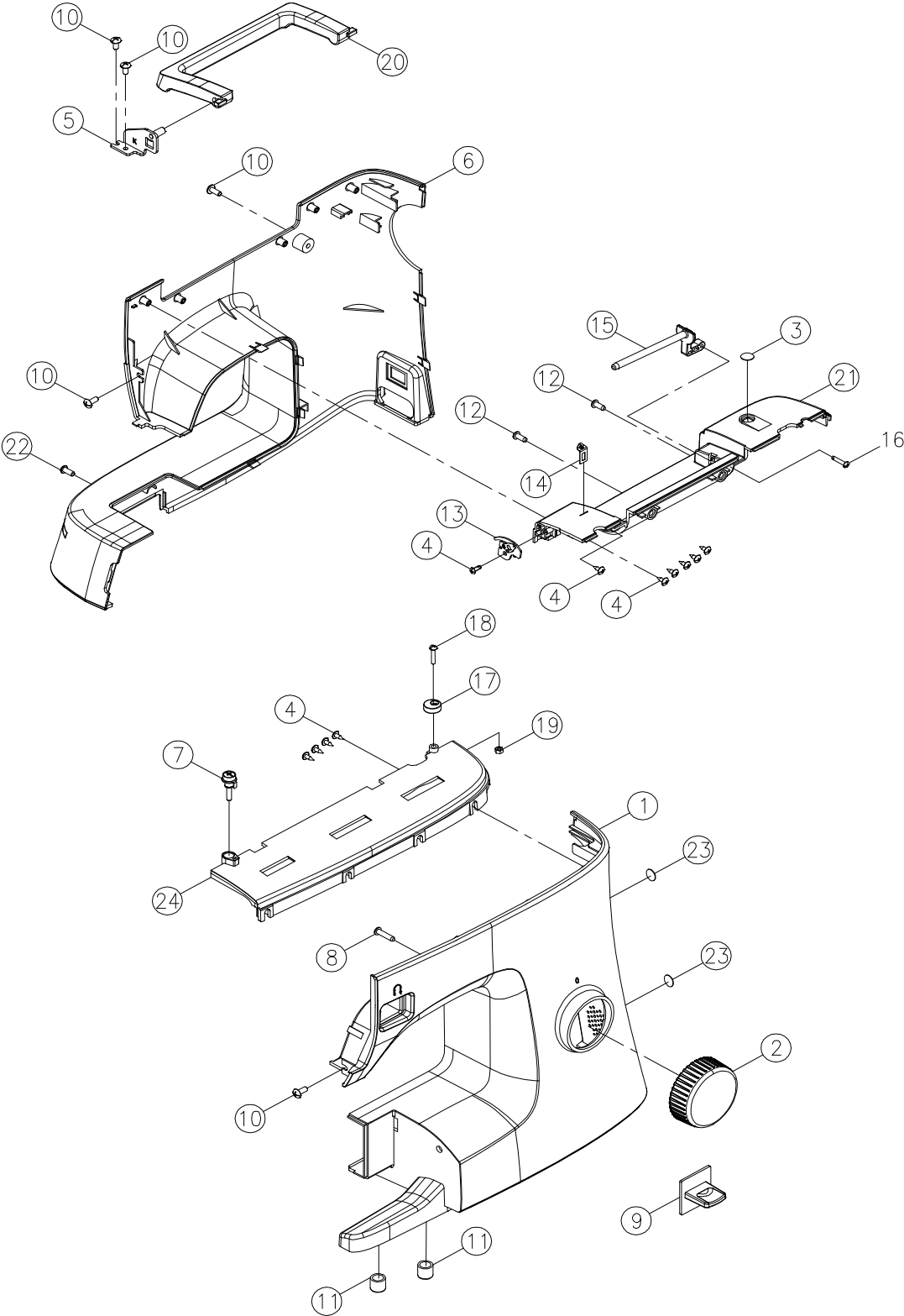


**A.** PRINCIPAL COVER COMPONENTS 1



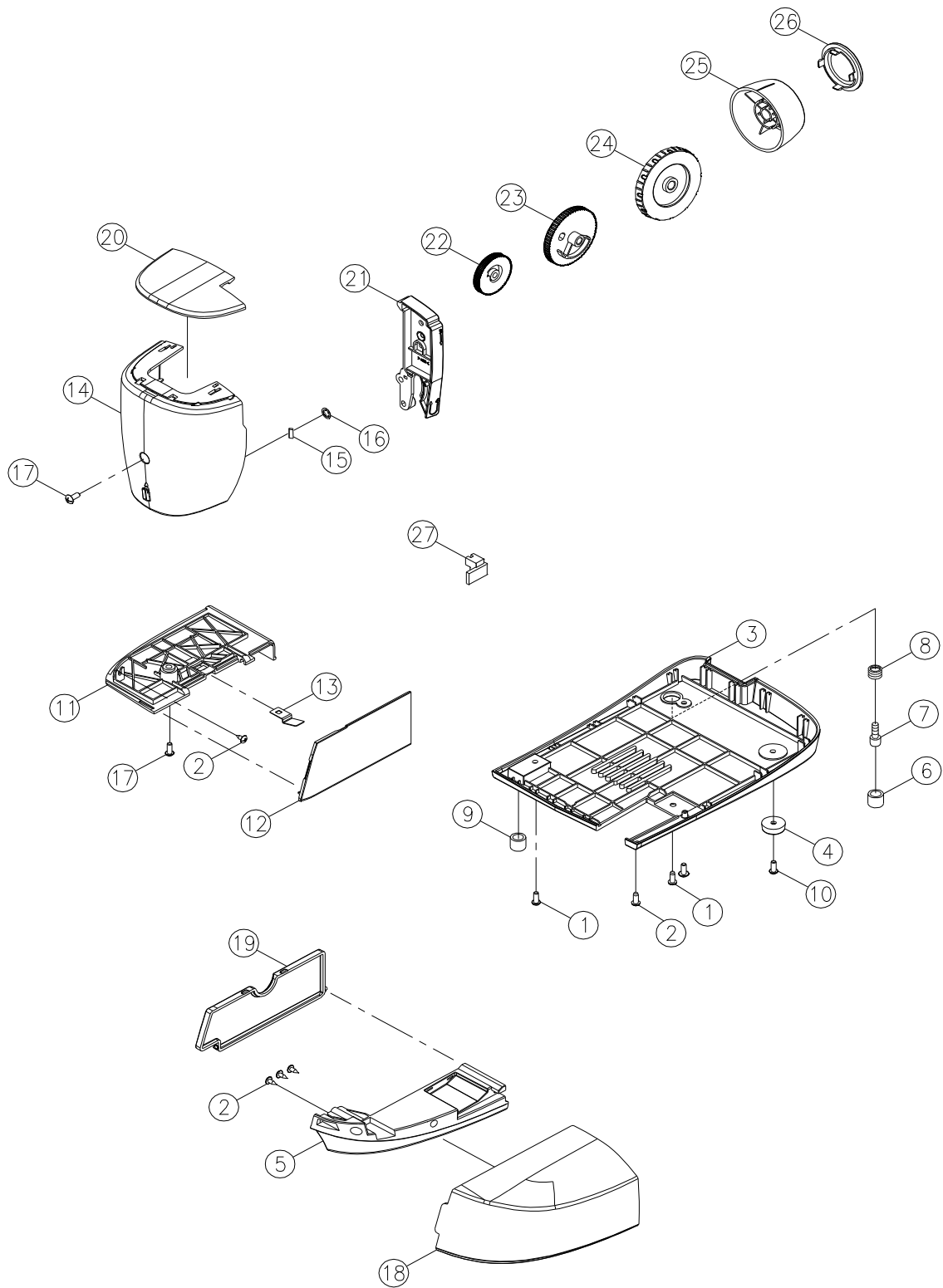
**B.** PRINCIPAL COVER COMPONENTS 2

## A. PRINCIPAL COVER COMPONENTS 1

NO.	PART NO.	DESCRIPTION	REMARK
1	K0QC013210	FRONT COVER	
2	K7QD013186	PATTERN DIAL	FOR K432A
	K6QD023255	PATTERN DIAL	FOR K132A
	K3QD013202	PATTERN DIAL	FOR K417A
	K3QD023960	PATTERN DIAL	FOR K121A
	K0QD013382	PATTERN DIAL	FOR K408A
3	V410123210	PLATE STICKER	
4	004230216	SET SCREW (M3×8.5)	
5	K5L0035000	FRONT DECORATED PLATE	
6	K7QZ023210	BACK COVER	
7	K6A1284000	BOBBIN WINDER THREAD GUIDE CPL.	
8	004240186	SET SCREW (M4×15 B)	
9	K7QZ183186	REVERSE BUTTON	FOR K432A
	K7QZ183255	REVERSE BUTTON	FOR K132A
	K7QZ183202	REVERSE BUTTON	FOR K417A
	K7QZ183960	REVERSE BUTTON	FOR K121A
	K7QZ183382	REVERSE BUTTON	FOR K408A
10	004240106	SET SCREW (M4x8 A)	
11	K6A0063002	FREE ARM BASE CUSHION	
12	004240306	SET SCREW (M4x10 B)	
13	K6E0265000	THREAD GUIDE COMPLETE	
14	H1B0603001	THREAD GUIDE	
15	E9R0673210	SPOOL PIN BASE	
16	004230646	SET SCREW (M3×16.7 B)	
17	K6B0393000	BOBBIN WINDER	
18	004106162	SET SCREW (9/64×40×16)	
19	004706013	NUT (9/64×40 t=3)	
20	K7QZ113186	HANDLE	FOR K432A
	K7QZ113255	HANDLE	FOR K132A
	K7QZ113202	HANDLE	FOR K417A
	K7QZ113960	HANDLE	FOR K121A
	K7QZ113382	HANDLE	FOR K408A
21	K6QA043186	TOP COVER (BACK)	FOR K432A
	K6QA043255	TOP COVER (BACK)	FOR K132A
	K6QA043202	TOP COVER (BACK)	FOR K417A
	K6QA043960	TOP COVER (BACK)	FOR K121A
	K0QA023382	TOP COVER (BACK)	FOR K408A
22	004241046	SET SCREW (M4x10 A)	
23	V61503210	PLATE STICKER	
24	K6QA053186	TOP COVER (FRONT)	FOR K432A
	K6QA053255	TOP COVER (FRONT)	FOR K132A
	K3QA013202	TOP COVER (FRONT)	FOR K417A
	K3QA013960	TOP COVER (FRONT)	FOR K121A
	K0QA013382	TOP COVER (FRONT)	FOR K408A

## B. PRINCIPAL COVER COMPONENTS 2

NO.	PART NO.	DESCRIPTION	REMARK
-----	----------	-------------	--------



C. UPPER SHAFT COMPONENTS

L8NZK7Q01-Nov. d, yyyy

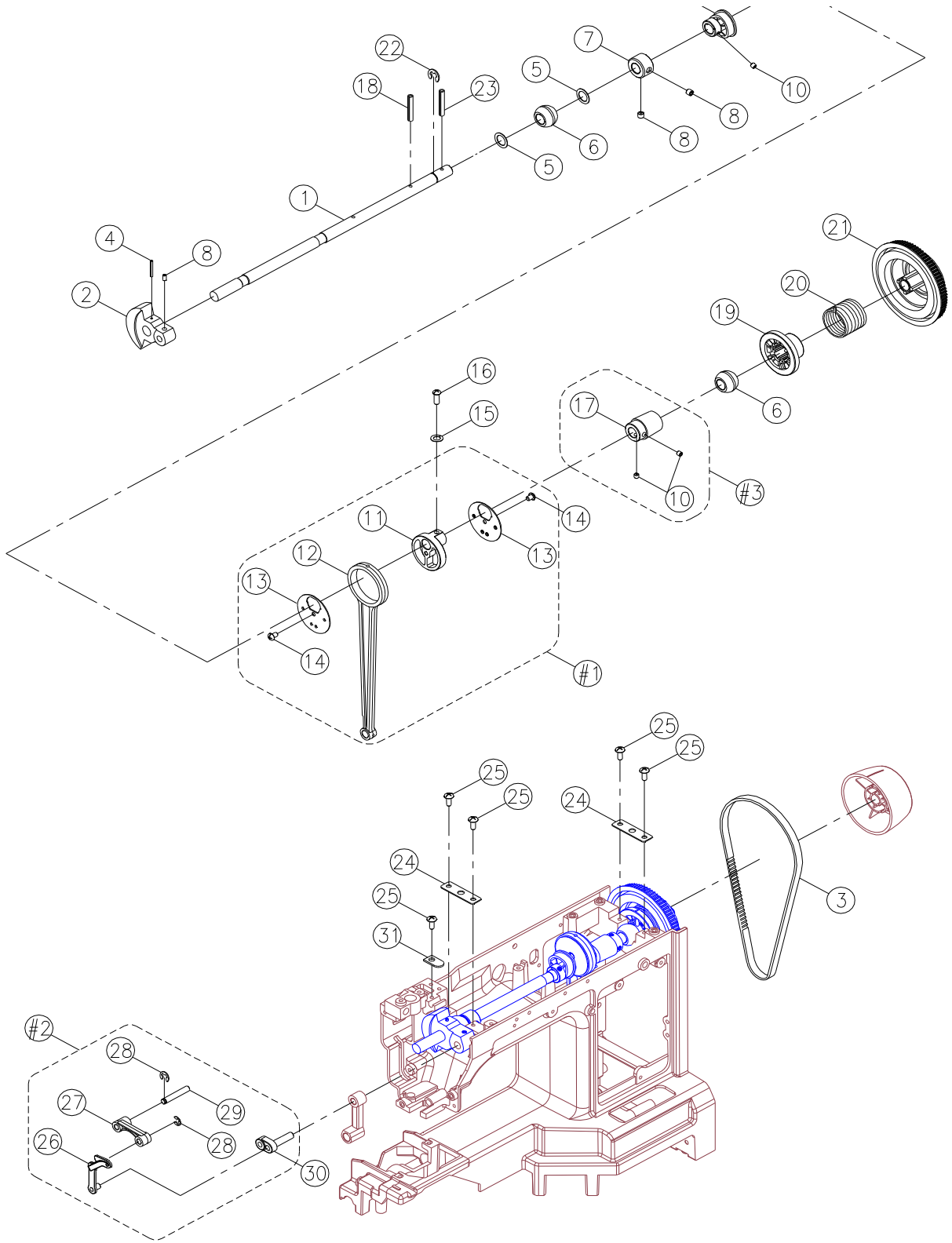


1	004240106	SET SCREW (M4x8 A)	
2	004230216	SET SCREW (M3x8.5)	
3	K7QZ143186	CORD REEL COVER	FOR K432A
	K7QZ143255	CORD REEL COVER	FOR K132A
	K7QZ143202	CORD REEL COVER	FOR K417A
	K7QZ143960	CORD REEL COVER	FOR K121A
	K7QZ143382	CORD REEL COVER	FOR K408A
4	J31413002	FREE ARM BASE CUSHION RUBBER	
5	K7QZ073186	ACCESSORY TABLE BASE	FOR K432A
	K7QZ073255	ACCESSORY TABLE BASE	FOR K132A
	K7QZ073202	ACCESSORY TABLE BASE	FOR K417A
	K7QZ073960	ACCESSORY TABLE BASE	FOR K121A
	K7QZ073382	ACCESSORY TABLE BASE	FOR K408A
6	E1A2503002	FREE ARM BASE CUSHION RUBBER	
7	K82133006	BASE PLATE ADJUSTMENT SCREW	
8	K82073003	BASE PLATE ADJUSTMENT SCREW SPRING	
9	K6A0063002	FREE ARM BASE CUSHION	
10	0042400286	SET SCREW (M4x10 A)	
11	K7QZ133210	BED COVER	
12	K7QZ123210	HOOK COVER	
13	R12453002	HOOK COVER SPRING	
14	K6QF013210	FACE PLATE	
15	V630593000	CUTTER	
16	003020053	CS-RING (CSTW-5)	
17	004241046	SET SCREW (M4x10 A)	
18	K7QZ083210	SEWING TABLE	
19	K7QZ093210	SEWING TABLE BODY COVER	
20	K6QF033186	FACE PANEL	FOR K432A
	K6QF033255	FACE PANEL	FOR K132A
	K6QF033202	FACE PANEL	FOR K417A
	K6QF033960	FACE PANEL	FOR K121A
	K0QF013382	FACE PANEL	FOR K408A
21	K7QZ103186	DIAL TENSION SUPPORTER PLATE COVER	FOR K432A
	K7QZ103255	DIAL TENSION SUPPORTER PLATE COVER	FOR K132A
	K7QZ103202	DIAL TENSION SUPPORTER PLATE COVER	FOR K417A
	K7QZ103960	DIAL TENSION SUPPORTER PLATE COVER	FOR K121A
	K7QZ103382	DIAL TENSION SUPPORTER PLATE COVER	FOR K408A
22	H1KD013210	DIAL TENSION KNOB	
23	K7PW013210	ZIGZAG WIDTH DIAL	FOR K432A
	K6PW013210	ZIGZAG WIDTH DIAL	FOR K132A
24	K6QR023210	FEED REGULATOR DIAL	FOR K432A/K132A
	K3QR013210	FEED REGULATOR DIAL	FOR K417A/K121A
25	K6QA063186	HAND WHEEL	FOR K432A
	K6QA063255	HAND WHEEL	FOR K132A
	K6QA063202	HAND WHEEL	FOR K417A
	K6QA063960	HAND WHEEL	FOR K121A
	K6QA063382	HAND WHEEL	FOR K408A
26	K7QZ173210	HAND WHEEL COVER	
27	K3NA013210	BH LEVER BUTTON	FOR K132A/K121A

L8NZK7Q01-Nov. d, yyyy

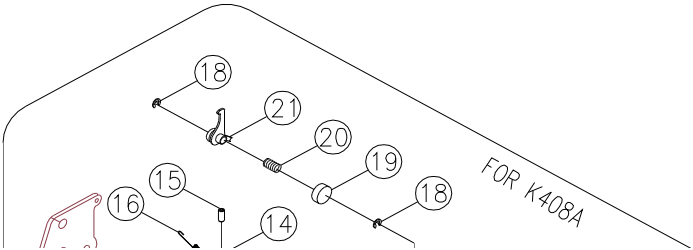
### C. UPPER SHAFT COMPONENTS

NO.	PART NO.	DESCRIPTION	REMARK
1	K6D0203000	ARM SHAFT	
2	V61473000	ARM SHAFT BALANCE	
3	007158XXL5	BELT	
4	003043524	ARM SHAFT BALANCE PIN (3.5x24)	



L8NZK7Q01-Nov. d, yyyy

**D. PATTERN CONTACT MECHANISM**

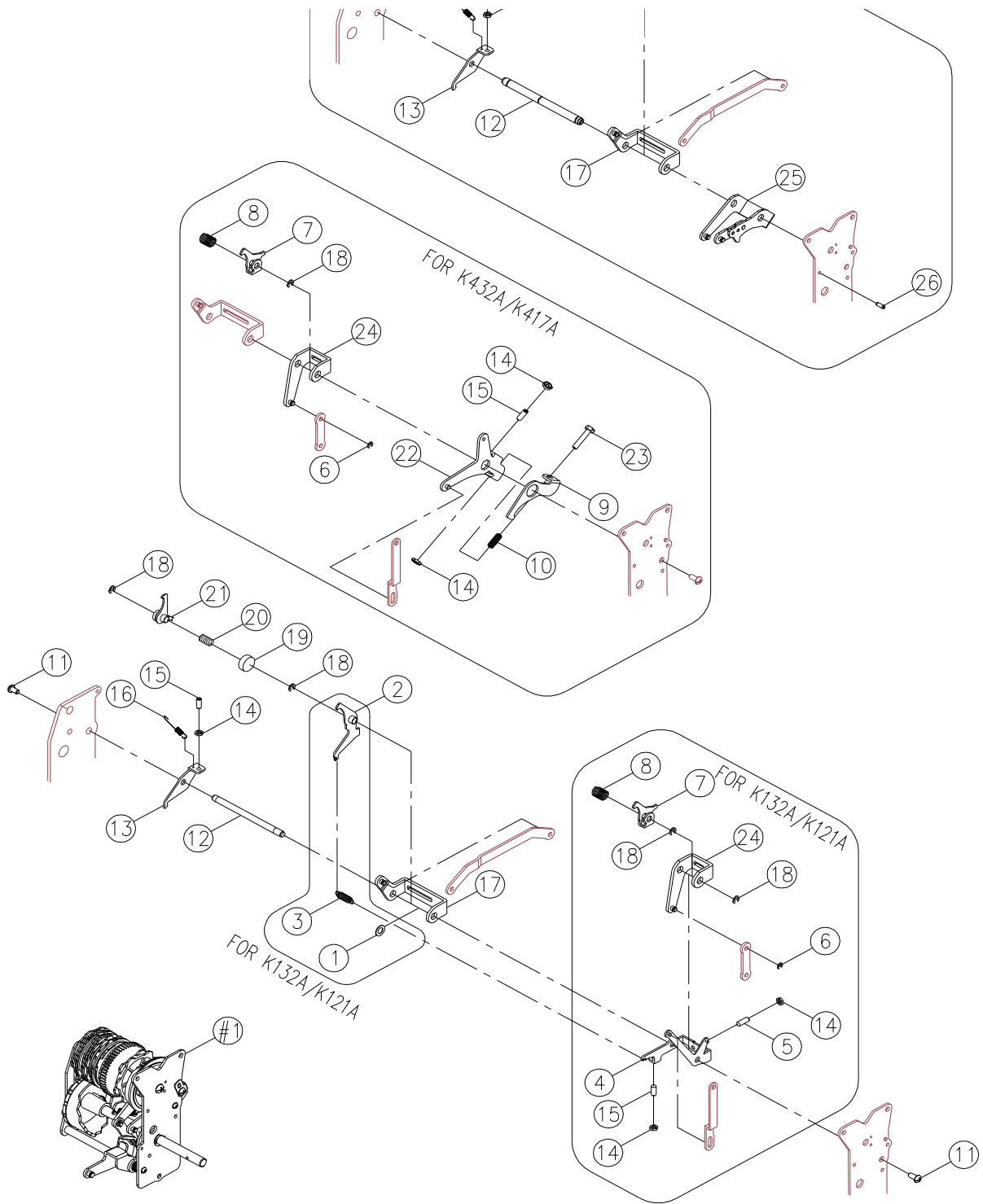


5	004400080	ENDURE ATTRITION WASHER (10.2×15×0.5)	
6	R10293000	ARM SHAFT BUSING	
7	R10313000	ARM SHAFT COLLAR	
8	004250203	SET SCREW (M5×5 C)	
9	G4A0533000	FEED CAM	
10	004240503	SET SCREW(M4×4 C)	
11	V880603003	CRANK CONNECTING ROD CAM	
12	V880213000	CRANK CONNECTING ROD	
13	V880613003	CRANK CONNECTING ROD COVER	
14	0042400012	SET SCREW (M4X4 B)	
15	004600026	WASHER (4.2×7.2×1.2)	
16	004107063	SET SCREW (11/64×40×12)	
17	K6A1465000	ARM SHAFT WORM COMPLETE	
18	003043028	PIN (3×28)	
19	D5A0583000	CLUTCH SLEEVE	
20	D5A0573003	ARM SHAFT CLUTCH ANNULUS SPRING	
21	D5A0563000	ARM SHAFT DRIVER BELT PULLEY	
22	003010082	E-RING (ETW-8)	
23	003043030	PIN (3×30)	
24	V60113003	ARM SHAFT BUSHING HOLDER PLATE	
25	004240106	SET SCREW (M4×8 A)	
26	E1A2513001	THREAD TAKE UP LEVER	
27	V10523000	THREAD TAKE UP LEVER SUPPORTER	
28	003010043	E-RING (ETW-4)	
29	V60223003	THREAD TAKE UP LEVER SUPPORTER SHAFT	
30	V10543000	PIN	
31	H13093003	CARRYING HANDLE PLATE	
#1	V880214000	CRANK CONNECTING ROD COMPLETE	
#2	E1A2534000	THREAD TAKE UP LEVER COMPLETE	
#3	K6A0045000	ARM SHAFT WORM	

L8NZK7Q01-Nov. d, yyyy

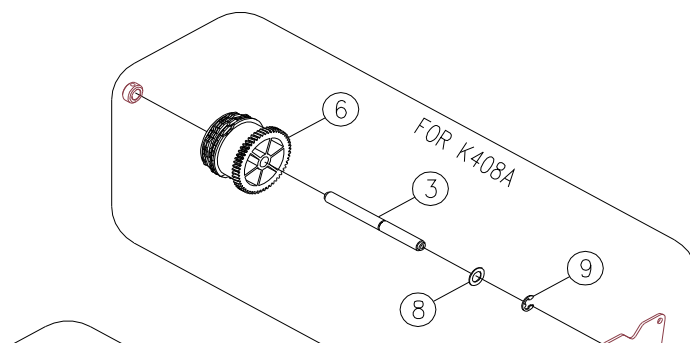
D. PATTERN CONTACT MECHANISM

NO.	PART NO.	DESCRIPTION	REMARK
1	004300333	WASHER (6.7×12 t=0.5)	FOR K132A/K121A
2	K6A0473003	BH FEED CRANK	FOR K132A/K121A
3	E1A0973003	BH FEED CRANK SPRING	FOR K132A/K121A
4	K6A0463003	BH ADJUSTING CRANK	FOR K132A/K121A
5	004240633	SET SCREW (M4×0.7 L12)	FOR K132A/K121A
6	003010036	E-RING (ETW-3)	
7	K6A0443003	SS CAM CONTACT	FOR K432A/K132A/K417A/K121A
8	V60773003	SS CAM CONTACT SPRING	FOR K432A/K132A/K417A/K121A



L8NZK7Q01-Nov. d, yyyy

## E. PATTERN CAM MECHANISM



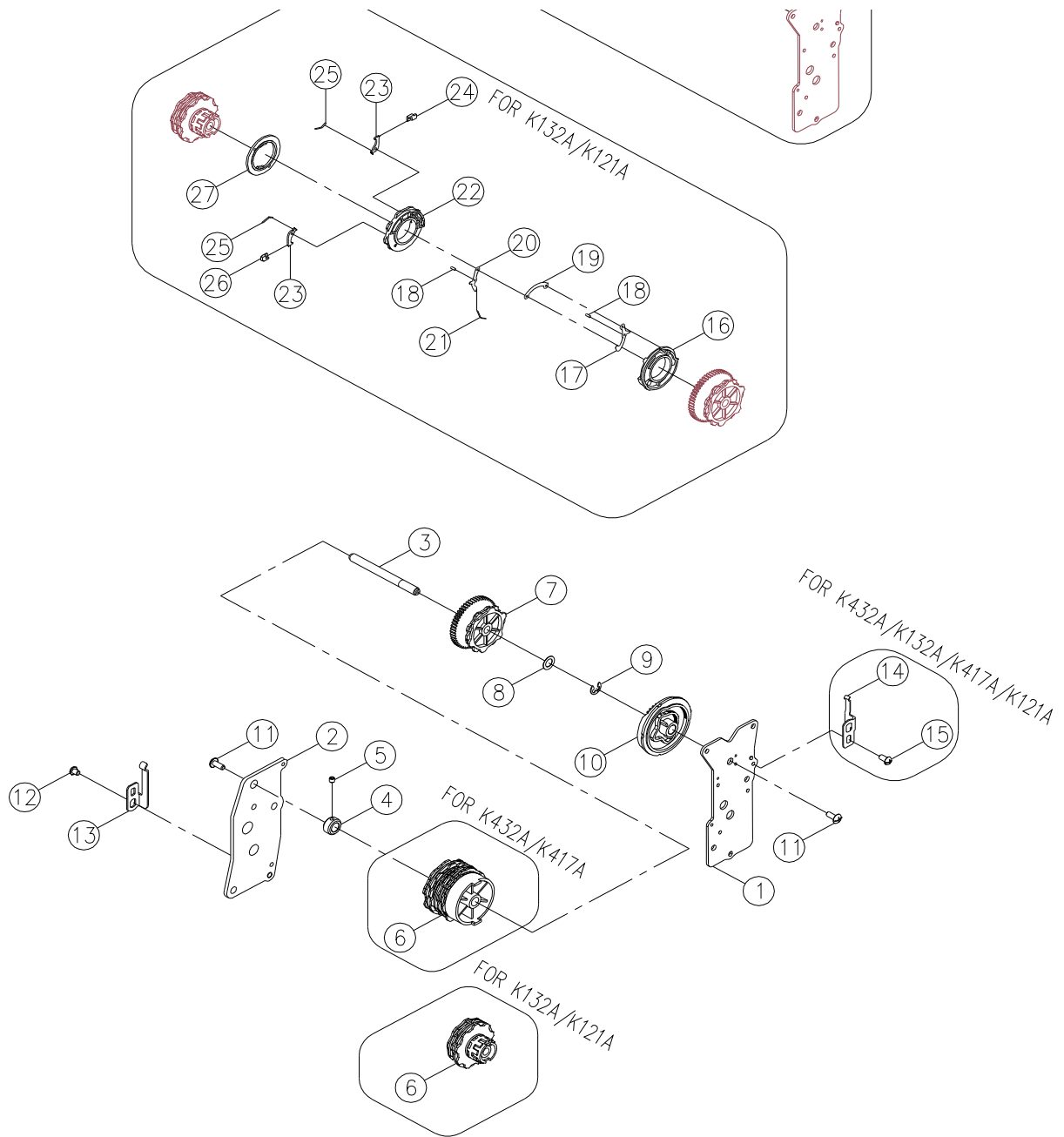
9	Q6A5043003	BH FEED CRANK	FOR K432A/K417A
10	V60813003	BH SPRING	FOR K432A/K417A
11	004230016	SET SCREW (M3×6 A)	
12	K6A0383000	ZIGZAG CAM CONTACT SUPPORTER SHAFT	FOR K432A/K132A/K417A/K121A
	Q0F0073000	ZIGZAG CAM CONTACT SUPPORTER SHAFT	FOR K408A
13	K6A0423003	ZIGZAG RELEASE PLATE	
14	0048400070	NUT (M4×0.7)	
15	004241093	SET SCREW (M4×0.7 L9)	
16	K6A0883003	ZIGZAG RELEASE PLATE SPRING	
17	K6A0393003	ZIGZAG CAM CONTACT SUPPORTER	
18	003010056	E-RING (ETW-5)	
19	K6B0053006	SPRING PEDESTAL	
20	K6A0373003	ZIGZAG CAM CONTACT SPRING	
21	K6A0403003	ZIGZAG CAM CONTACT	
22	Q6A5033003	FEED ADJUST CRANK	FOR K432A/K417A
23	004240706	SET SCREW (M4×20)	FOR K432A/K417A
24	K6A0433003	SS CAM CONTACT SUPPORTER	FOR K432A/K132A/K417A/K121A
25	K0R0044000	FEED ADJUST CRANK COMPLETE	FOR K408A
26	003043008	PIN (3×8×0.6)	
#1	K7Q0044000	PATTERN CAM CONTACT COMPLETE	FOR K432A
	K6Q0024000	PATTERN CAM CONTACT COMPLETE	FOR K132A
	K3Q0024000	PATTERN CAM CONTACT COMPLETE	FOR K417A
	K3Q0044000	PATTERN CAM CONTACT COMPLETE	FOR K121A
	K0Q0024000	PATTERN CAM CONTACT COMPLETE	FOR K408A

L8NZK7Q01-Nov. d, yyyy

### E. PATTERN CAM MECHANISM

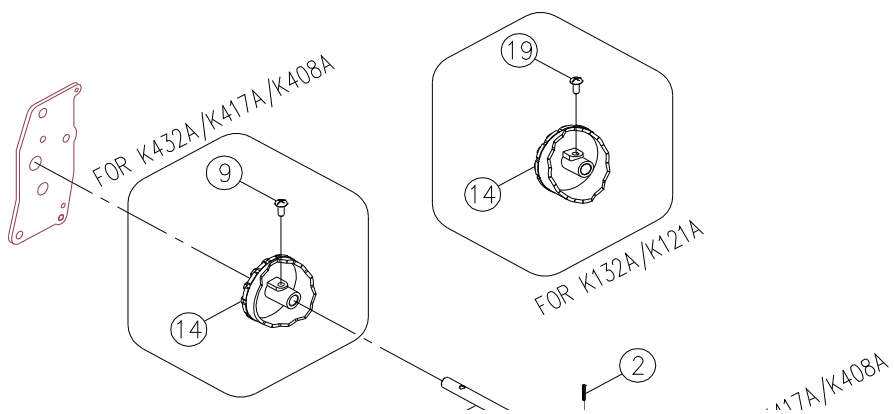
NO.	PART NO.	DESCRIPTION	REMARK
1	Q6A0193003	PATTERN CAM CONTACT PLATE (FRONT)	
2	K6A0223003	PATTERN CAM CONTACT PLATE (BACK)	
3	K6A0233003	PATTERN CAM SHAFT	FOR K432A/K132A/K417A/K121A
	Q0F0053003	PATTERN CAM SHAFT	FOR K408A
4	H11943003	PATTERN CAM SHAFT COLLAR	
5	004240503	SET SCREW (M4×4C)	
6	Q6A5023000	PATTERN CAM	FOR K432A/K417A
	K6A0263000	PATTERN CAM	FOR K132A/K121A
	Q0F0023582	PATTERN CAM	FOR K408A
7	K6A0253000	SS CAM	FOR K432A/K132A/K417A/K121A
8	004300226	WASHER (8.2×16×1.0)	FOR K432A
	004300863	WASHER (8.2×14×0.5)	FOR K132A/K417A/K121A/K408A



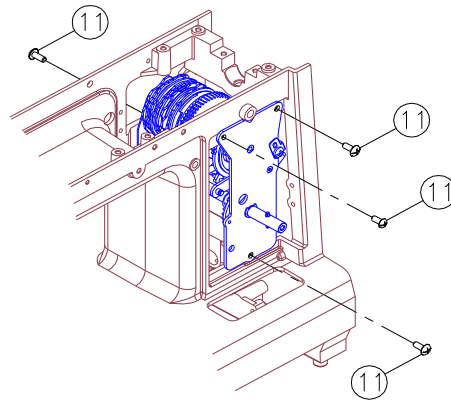
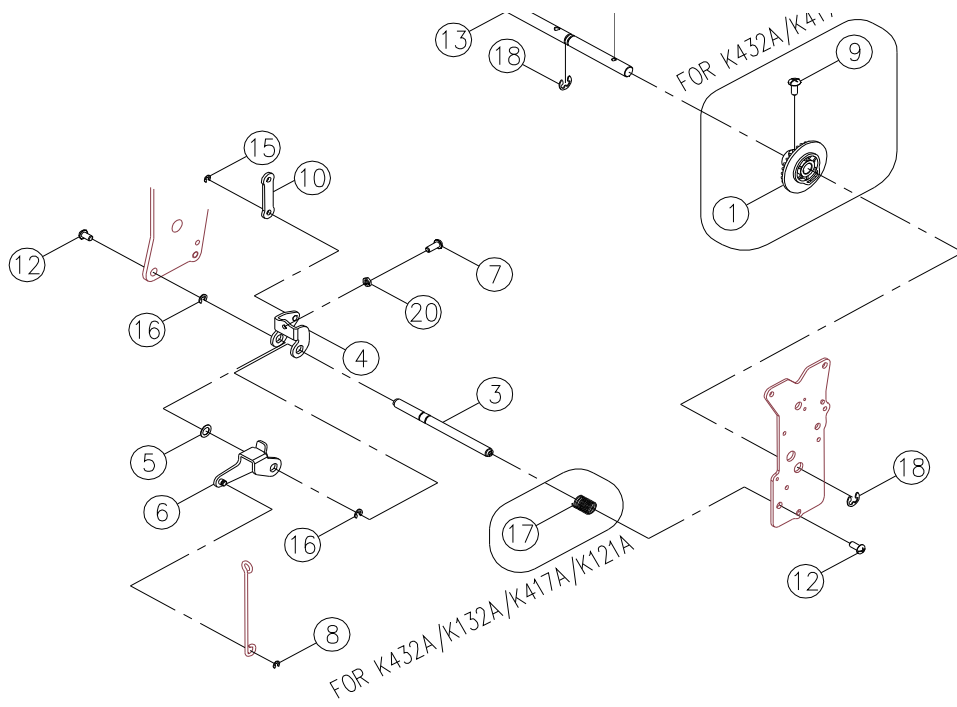


L8NZK7Q01-Nov. d, yyyy

## F. PATTERN SELECTION COMPONENTS

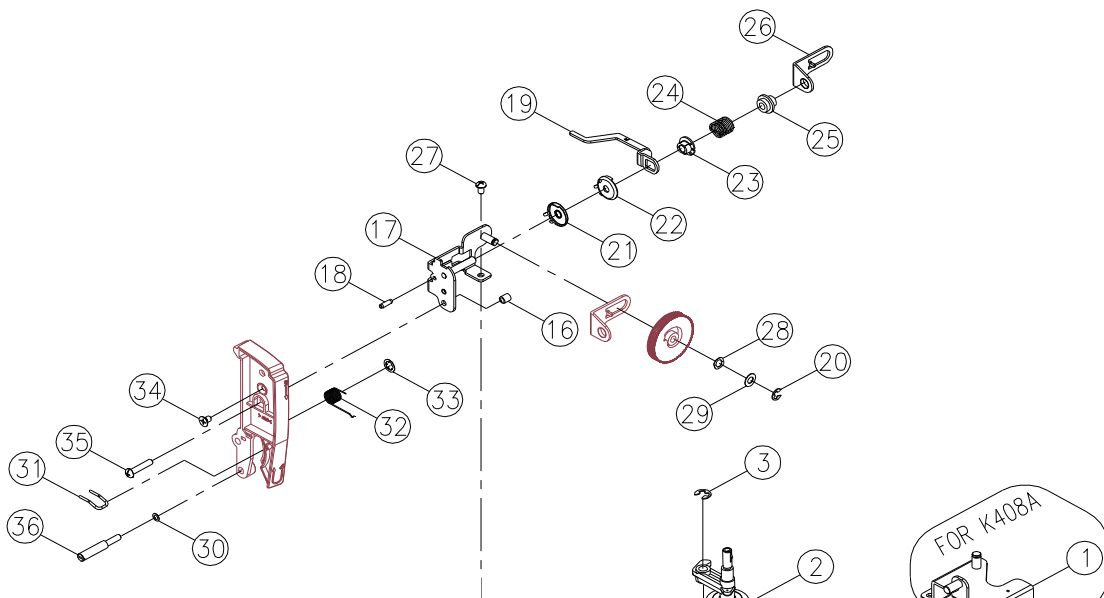




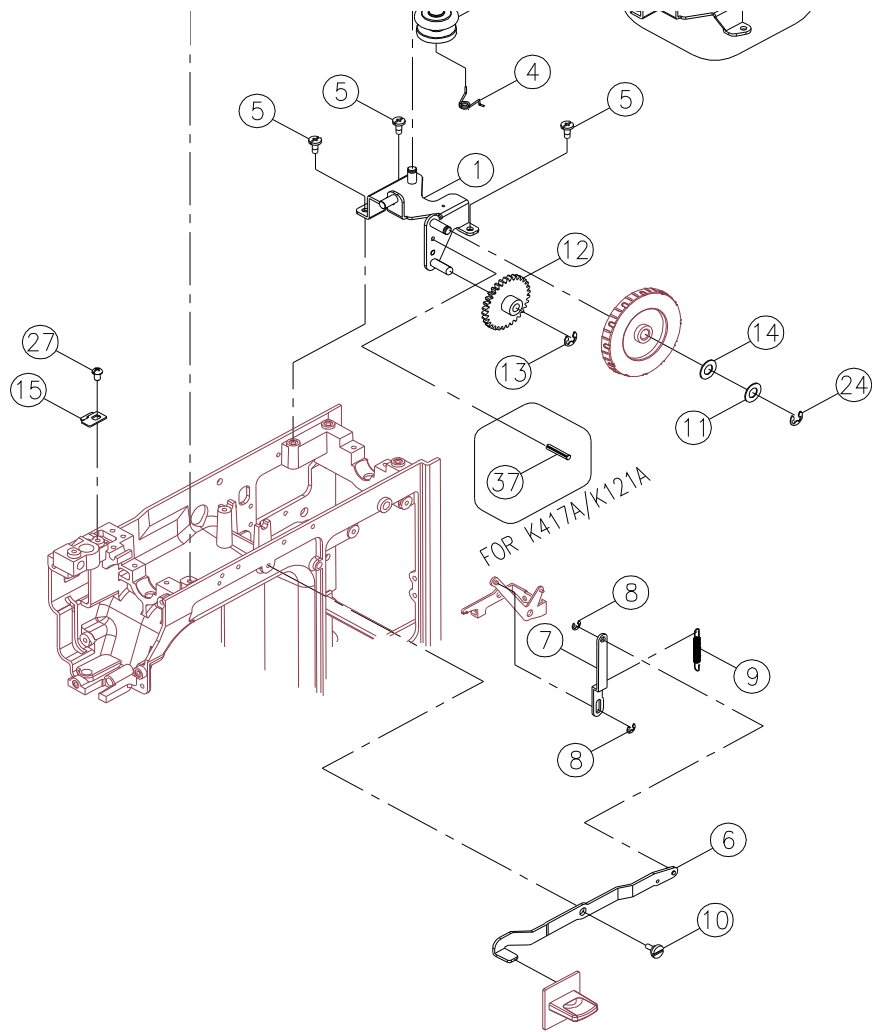


L8NZK7Q01-Nov. d, yyyy

## G. BOBBIN WINDER & THREAD TENSION

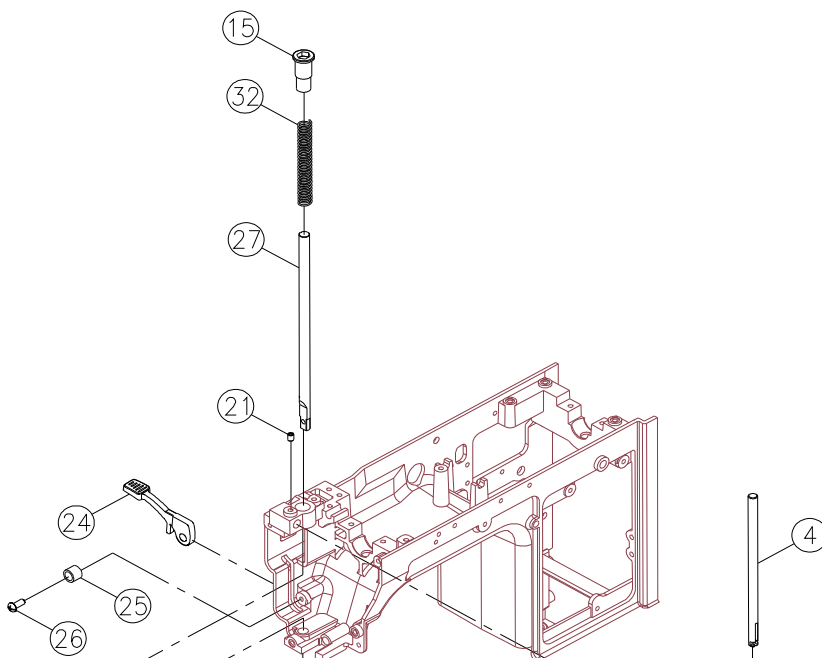






L8NZK7Q01-Nov. d, yyyy

## H. NEEDLE BAR & PRESSER MECHANISM

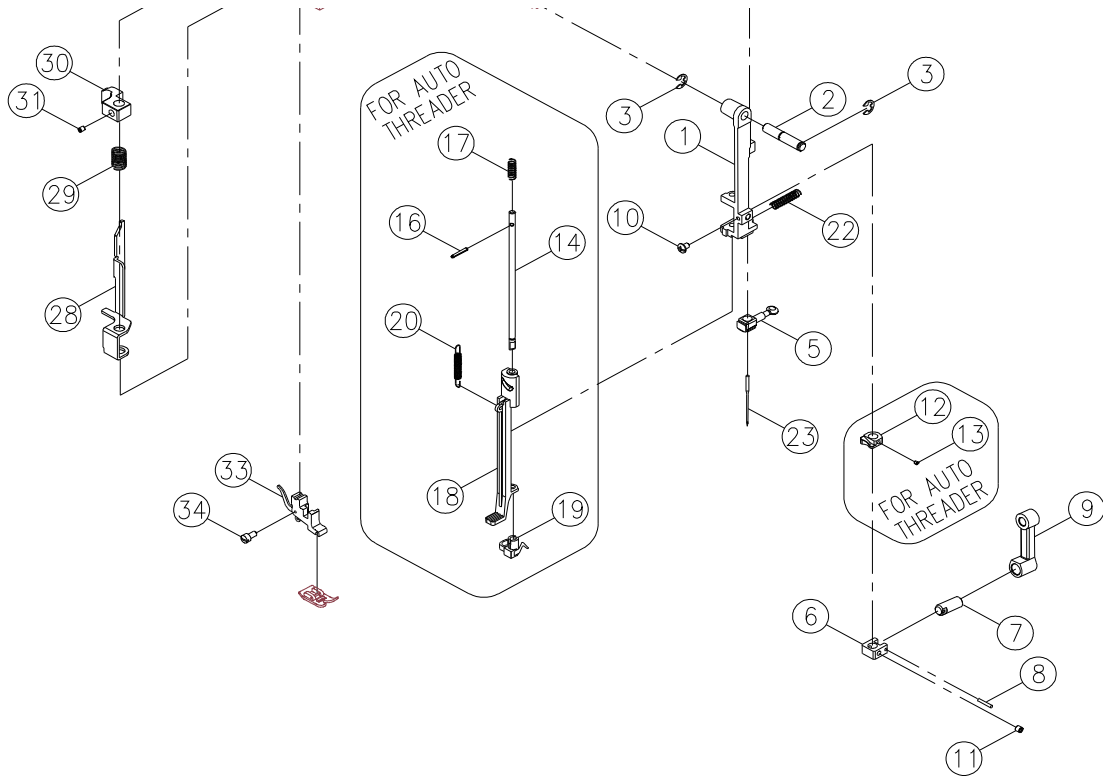


20	003010043	E-RING (ETW-4)	
21	J30423001	DIAL TENSION DISC (1)	
22	E1A2333001	DIAL TENSION DISC	
23	D6B0623000	DIAL TENSION SPRING REGULATOR	
24	V880593003	DIAL TENSION SPRING	
25	K50193000	DIAL TENSION REGULATOR	
26	V60273006	DIAL TENSION SPRING PLATE	
27	004240056	SET SCREW (M4×6 B)	
28	004500360	WASHER (WW-5)	
29	004300643	WASHER (5.2×10×0.5)	
30	004300136	WASHER (4.2×8×0.8)	
31	P3A1353001	THREAD GUIDE	
32	V60303000	DIAL TENSION SPRING	
33	003020053	CS-RING (CSTW-5)	
34	004240176	SET SCREW (M4×6 D)	
35	004240146	SET SCREW (M4×15 B)	
36	004241412	SET SCREW (M4×0.7 L42)	
37	003043014	PIN (3×14×0.6)	FOR K417A/K121A

L8NZK7Q01-Nov. d, yyyy

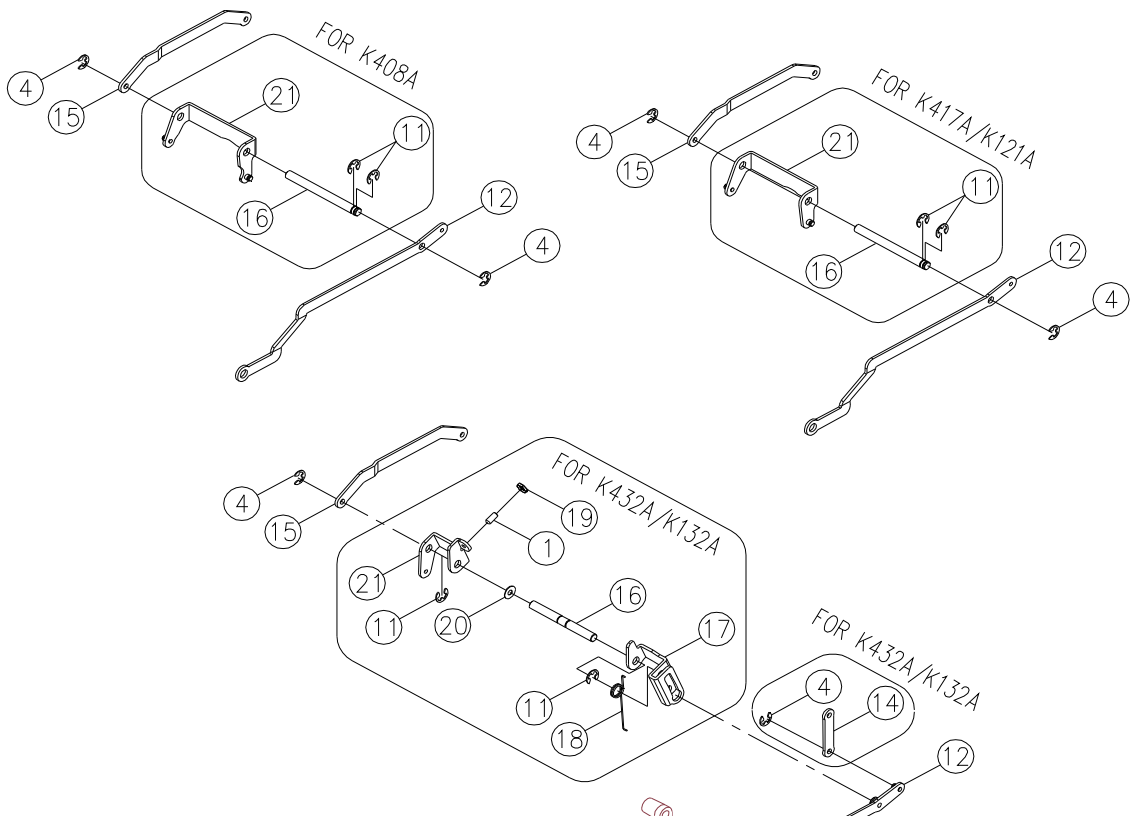
## H. NEEDLE BAR & PRESSER MECHANISM

NO.	PART NO.	DESCRIPTION	REMARK
1	V61753002	NEEDLE BAR SUPPORTER	FOR K432A/K132A
	V61973002	NEEDLE BAR SUPPORTER	FOR K417A/K121A/K408A
2	R12723003	NEEDLE BAR SUPPORTER PIN	FOR K432A/K132A
	N80223003	NEEDLE BAR SUPPORTER PIN	FOR K417A/K121A/K408A
3	003010056	E-RING (ETW-5)	
4	V70273000	NEEDLE BAR	
5	TA11034000	NEEDLE CLAMP COMPLETE	
6	V880393003	NEEDLE BAR BRACKET (1)	
7	V880483000	NEEDLE BAR BRACKET (2)	
8	0030400020	PIN (2×12)	
9	V880633000	NEEDLE BAR CRANK ROD	
10	004106202	SET SCREW (9/64×40×6)	
11	004240503	SET SCREW (M4×4 C)	
12	K7P0143000	AUTO THREADER STOPPER	FOR K432A/K132A
13	004230483	SET SCREW (M3×4 C)	FOR K432A/K132A
14	K7P0053000	AUTO THREADER SHAFT	FOR K432A/K132A
15	Q6G0273000	PRESSER BAR REGULATING SCREW	
16	003042014	PIN (2×14)	FOR K432A/K132A
17	K7P0113003	AUTO THREADER SHAFT SPRING	FOR K432A/K132A
18	K7P0063000	AUTO THREADER LEVER	FOR K432A/K132A
19	Q6G0225000	AUTO THREADER	FOR K432A/K132A
20	M70093000	AUTO THREADER LEVER SPRING	FOR K432A/K132A
21	004240033	SET SCREW (M4×5 C)	
22	H50583003	NEEDLE BAR SUPPORTER SPRING	



L8NZK7Q01-Nov. d, yyyy

# I. ZIGZAG MECHANISM



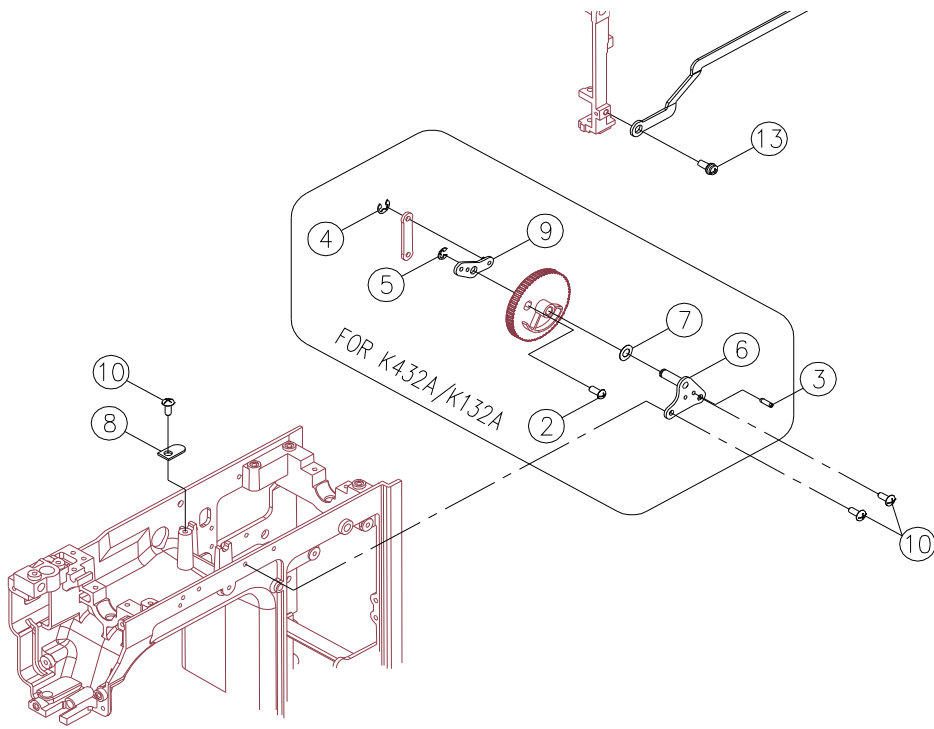
23	006046148	NEEDLE	
24	K6A1193000	PRESSER BAR LIFTER LEVER	
25	V60163000	PRESSER BAR LIFTER LEVER SCREW WASHER	
26	004240046	SET SCREW (M4×10 B)	
27	V70153002	PRESSER BAR	
28	V880573003	TENSION LEVER LIFTER	
29	H10723003	TENSION LEVER LIFTER SPRING	
30	H10533002	PRESSER BAR BRACKET	
31	004260023	SET SCREW (M6×5 C)	
32	K6E0403003	PRESSER BAR SPRING	
33	006187008	SHANK COMPLETE	
34	004106221	SHANK SCREW (9/64×40×8)	

L8NZK7Q01-Nov. d, yyyy

## I. ZIGZAG MECHANISM

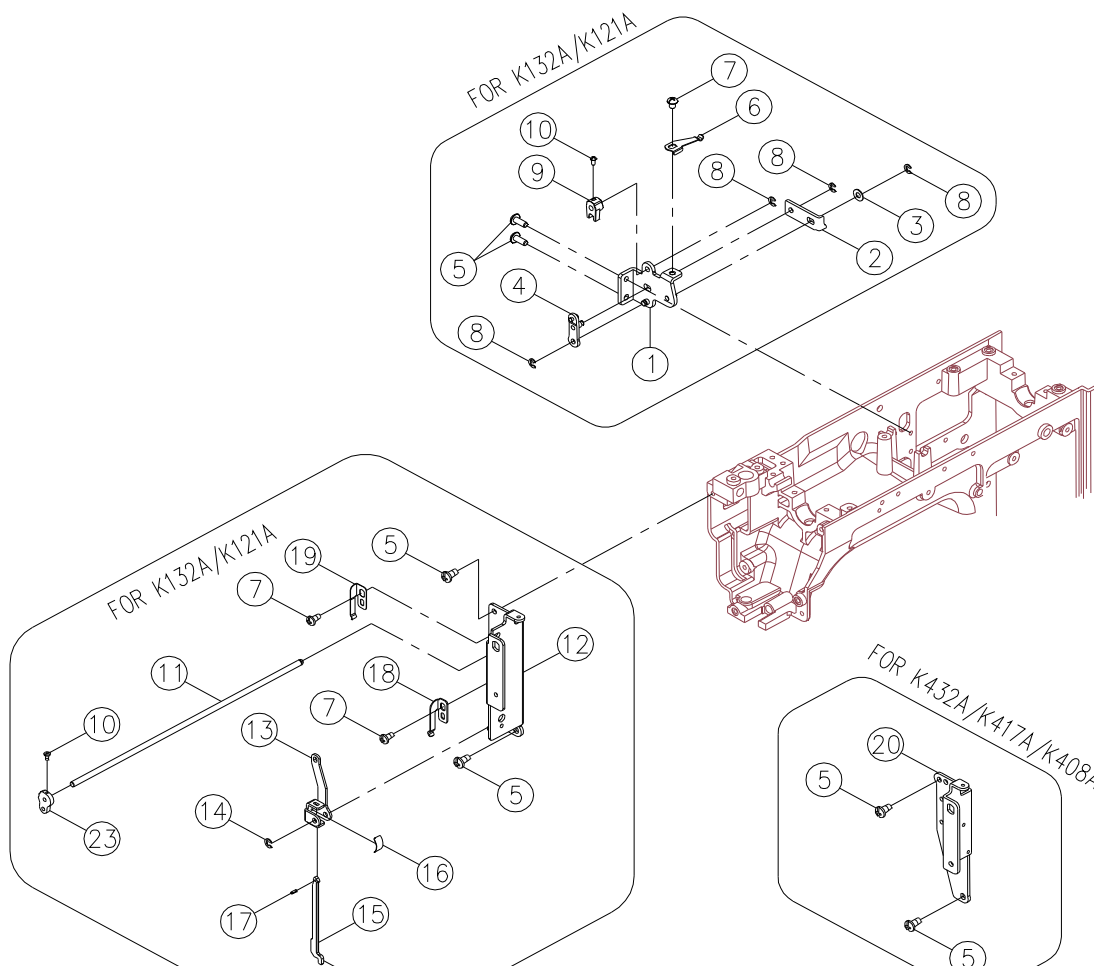
NO.	PART NO.	DESCRIPTION	REMARK
1	004241093	SET SCREW (M4×9)	FOR K432A/K132A
2	0042400286	SET SCREW (M4×10)	FOR K432A/K132A
3	003043010	PIN (3×10)	
4	003010036	E-RING (ETW-3)	
5	003010043	E-RING (ETW-4)	
6	K6A0653006	ZIGZAG WIDTH DIAL PLATE	FOR K432A/K132A
7	004500670	WASHER	FOR K432A/K132A
8	H13093003	CARRYING HANDLE PLATE	
9	K6B0143006	ZIGZAG WIDTH CRANK	FOR K432A/K132A
10	004240106	SET SCREW (M4×8 A)	
11	003010053	E-RING (ETW-5)	
12	V60175003	NEEDLE BAR DRIVING ROD COMPLETE	FOR K432A/K132A
	K3B0023003	NEEDLE BAR DRIVING ROD COMPLETE	FOR K417A/K121A/K408A
13	E1A2993000	NEEDLE BAR DRIVING ROD PIN	
14	K6A0683003	ZIGZAG WIDTH CRANK ROD	FOR K432A/K132A
15	K6A0623003	ROD	
16	K6A0593003	ZIGZAG CONTACT SUPPORTER SHAFT	FOR K432A/K132A
	K3B0063003	ZIGZAG CONTACT SUPPORTER SHAFT	FOR K417A/K121A/K408A
17	K6A0603003	ZIGZAG WIDTH REGULATING CAM BOX	FOR K432A/K132A
18	N7A0853003	ZIGZAG WIDTH SPRING	FOR K432A/K132A
19	0048400070	NUT (M4×0.7)	FOR K432A/K132A
20	004300493	WASHER (14×6.2×3)	FOR K432A/K132A
21	K6A0613003	ZIGZAG REGULATOR CRANK	FOR K432A/K132A
	K3B0053003	ZIGZAG REGULATOR CRANK	FOR K417A/K121A
	K0R0025000	ZIGZAG REGULATOR CRANK	FOR K408A





L8NZK7Q01-Nov. d, yyyy

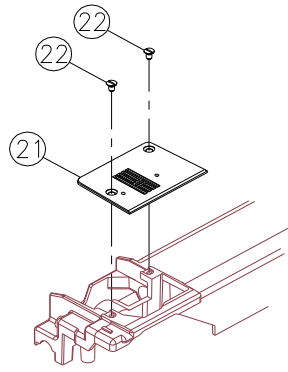
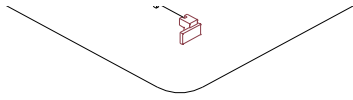
## J. BH MECHANISM & NEEDLE PLATE COMPONENTS




L8NZK7Q01-Nov. d, yyyy

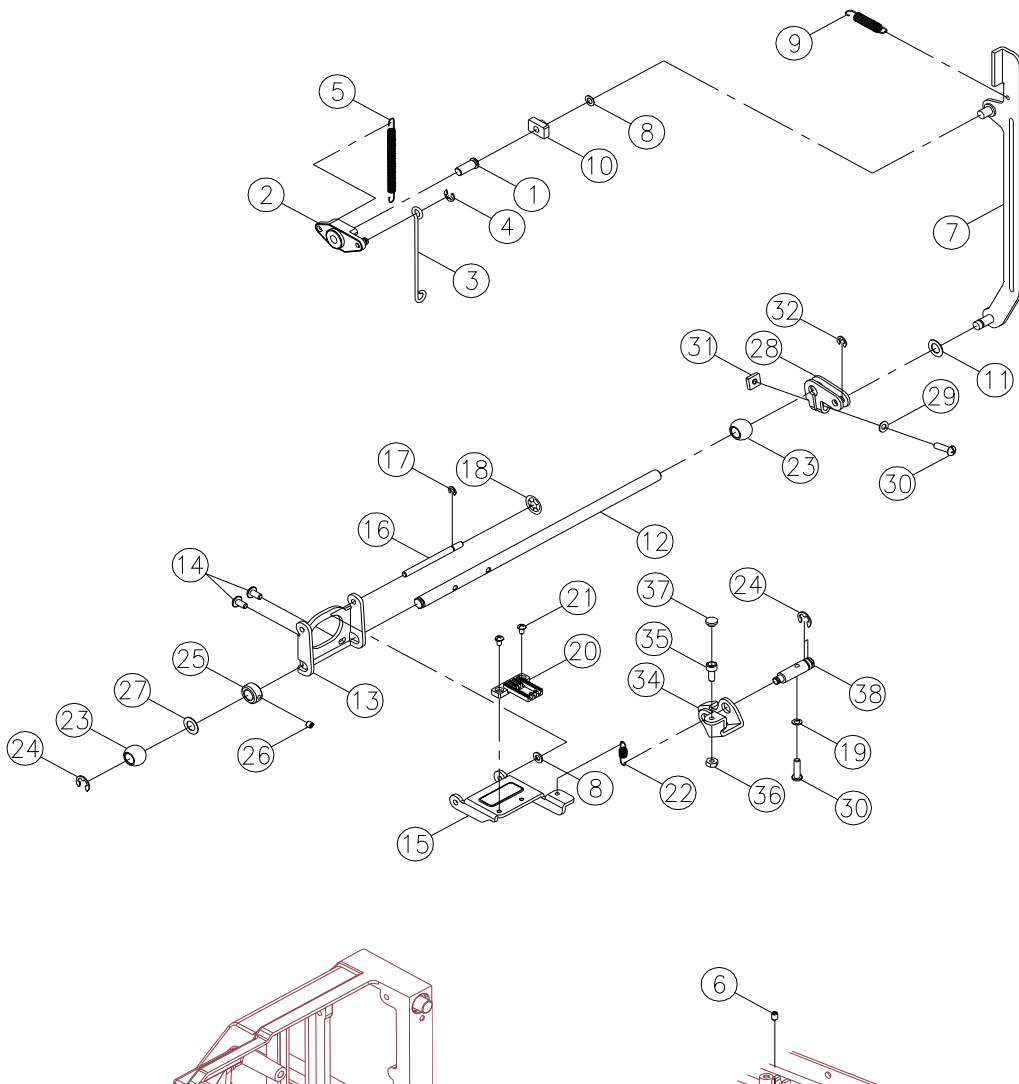
### J. BH MECHANISM & NEEDLE PLATE COMPONENTS

NO.	PART NO.	DESCRIPTION	REMARK
1	K6A0703003	BH SELECTOR PLATE	FOR K132A/K121A
2	K6A0723003	BH SLIDE PLATE	FOR K132A/K121A
3	004300076	WASHER (4.2×9×0.5)	FOR K132A/K121A
4	K6A0733003	BH SELECTOR PLATE	FOR K132A/K121A
5	004240106	SET SCREW (M4×8 A)	
6	K6A0773003	BH CAM PLATE	FOR K132A/K121A
7	004240676	SET SCREW (M4×5 B)	FOR K132A/K121A
8	003010036	E-RING (ETW-3)	FOR K132A/K121A
9	K6A0763000	BH SELECT CRANK	FOR K132A/K121A
10	004230056	SET SCREW (M3×5 B)	FOR K132A/K121A
11	E1A1433003	BH SELECT CRANK SHAFT	FOR K132A/K121A
12	K5B0035006	BH LEVER PLATE COMPLETE	FOR K132A/K121A
13	K6A0923003	BH LEVER CRANK	FOR K132A/K121A
14	003010033	E-RING (ETW-3)	FOR K132A/K121A
15	K6A0943002	BH LEVER	FOR K132A/K121A
16	K6A0933000	BH LEVER SPRING PLATE	FOR K132A/K121A
17	003041605	PIN (1.6×5)	FOR K132A/K121A
18	E1A1533003	BH POSITIONED PLATE	FOR K132A/K121A
19	E1A1523003	BH POSITIONED PLATE	FOR K132A/K121A
20	K6A5033006	LAMP BRACKET	FOR K432A/K417A/K408A
21	K6K0433001	NEEDLE PLATE	
22	004240851	NEEDLE PLATE COMPLETE SET SCREW	
23	E1A1513000	BH MOVEMENT CRANK	FOR K132A/K121A

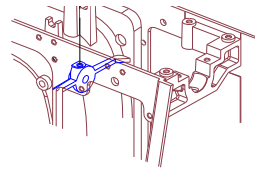
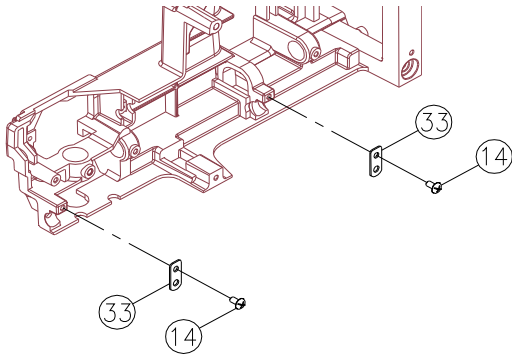


L8NZK7Q01-Nov. d, yyyy

# K FEED MECHANISM

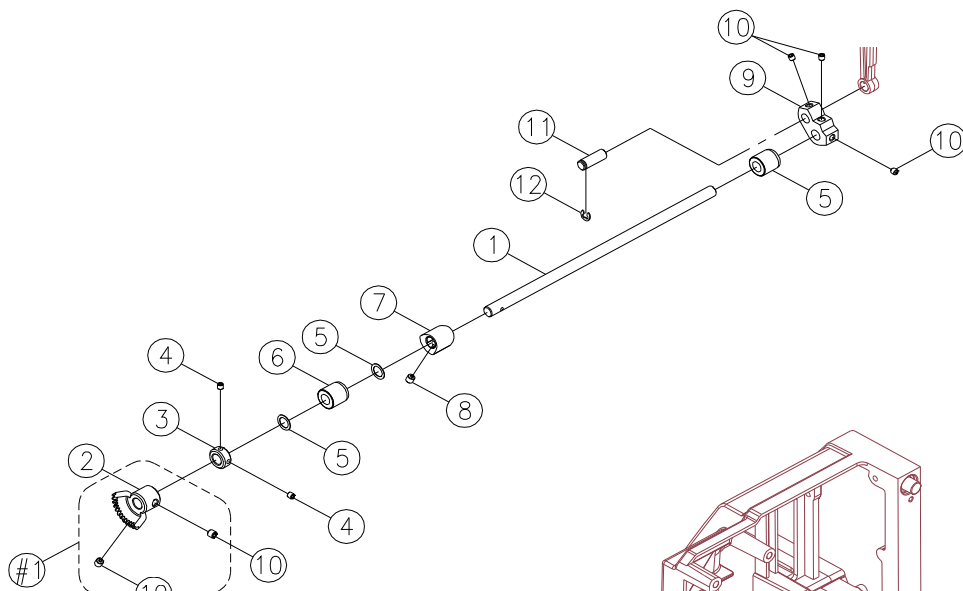
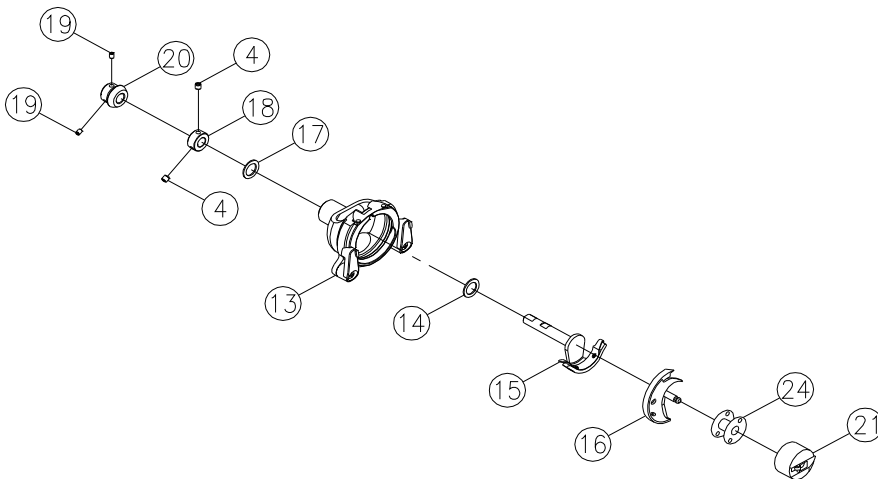




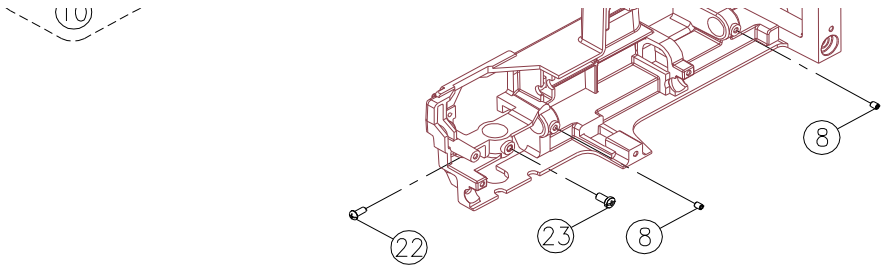


L8NZK7Q01-Nov. d, yyyy

## L HOOK & LOWER SHAFT COMPONENTS

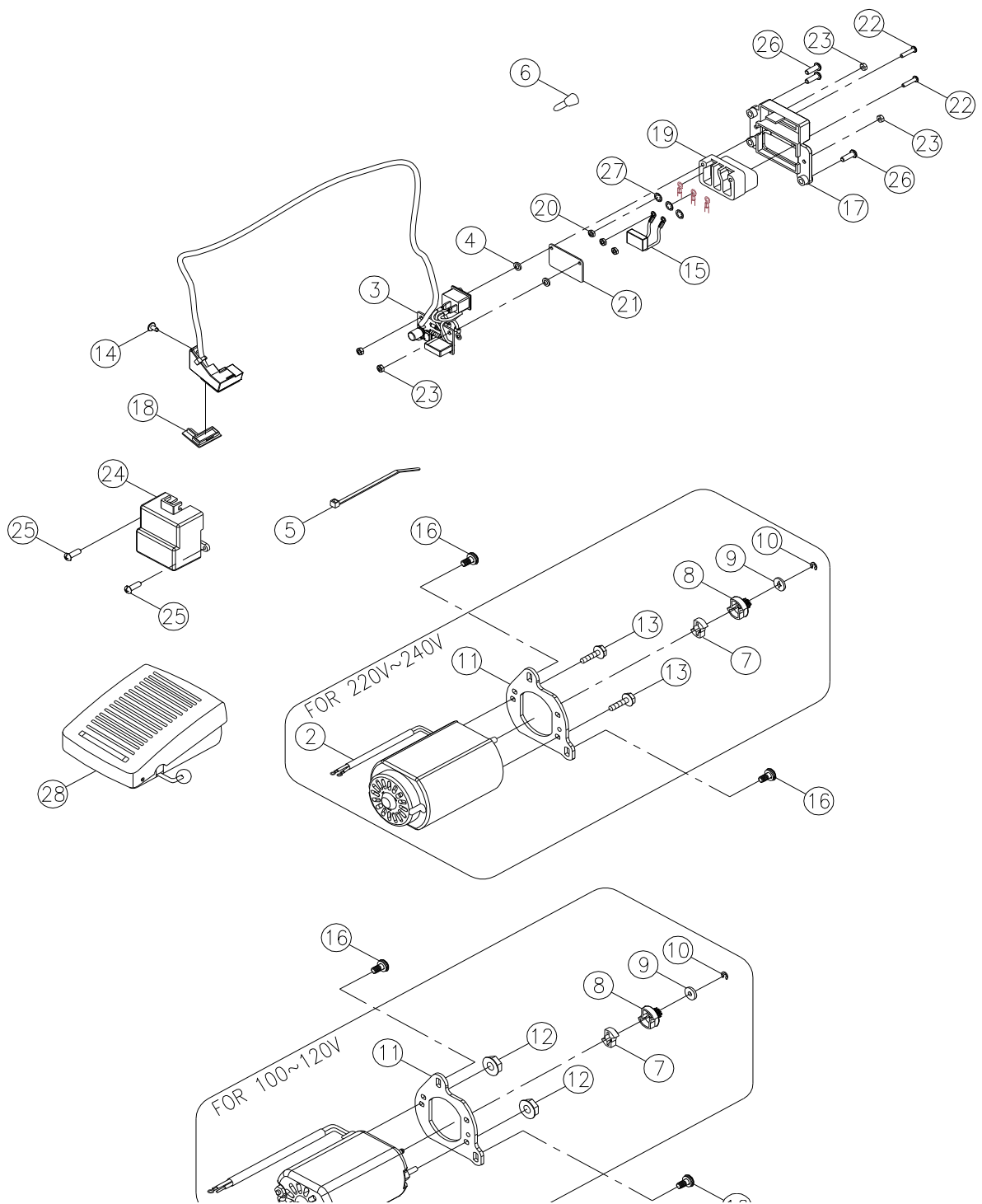






L8NZK7Q01-Nov. d, yyyy

**M. MOTOR, POWER SUPPLY & ELECTRONIC PARTS**

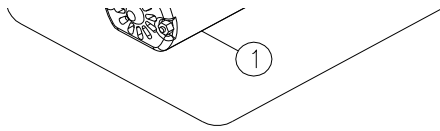



L8NZK7Q01-Nov. d, yyyy

**M. MOTOR, POWER SUPPLY & ELECTRONIC PARTS**

NO.	PART NO.	DESCRIPTION	REMARK
1	001V884005	MOTOR (FOR 120V)	FOR 120V
2	001V881007	MOTOR (FOR 220V-240V)	FOR 220V-240V
3	VGJ0745000	LED HOLDER COMPLETE	FOR 220V-240V
	VGJ0755000	LED HOLDER COMPLETE	FOR 100V-120V
4	0040300013	WASHER (3.2×8×3)	
5	002027129	CORD CLIP	
6	AA0463000	END TERMED	
7	008059302	CUSHION RUBBER	
8	002396029	BELT WHEEL	
9	002145029	MOTOR FEED REGULATOR COLLAR	
10	003010036	E-RING (ETW-3)	
11	K6A0983006	MOTOR BRACKET	
12	004840131	NUT (M4 t=5.5)	FOR 100~120V
13	0042400036	SET SCREW (M4×10.2)	FOR 220~240V
14	004231016	SET SCREW (M4×5)	
15	008K5L0001	CONDENSER	FOR 220V~240V
16	0042500096	SET SCREW (M5×12)	
17	K6A1203000	RECEPTACLE HOLDER	
18	VGJ0553031	LAMPSHADE	
19	008V540001	RECEPTACLE	
20	0048400001	NUT (M3×4)	
21	008V540002	CONCERT INSULATION PLATE	
22	004230356	SET SCREW (M3×25 B)	
23	004830016	NUT (M3 t=2.3)	
24	K6C0423000	RECEPTACLE HOLDER COVER	
25	004230286	SET SCREW (M3×8 B)	
26	004240146	SET SCREW (M4×15 B)	
27	0030200001	CS (CSTW-3.2)	
28	002V881013	FOOT CONTROLLER	FOR EU.
	002V884003	FOOT CONTROLLER	FOR USA.
	002V881041	FOOT CONTROLLER	FOR UK.





(16)

L8NZK7Q01-Nov. d, yyyy

## N. ACCESSORIES (STANDARD)

