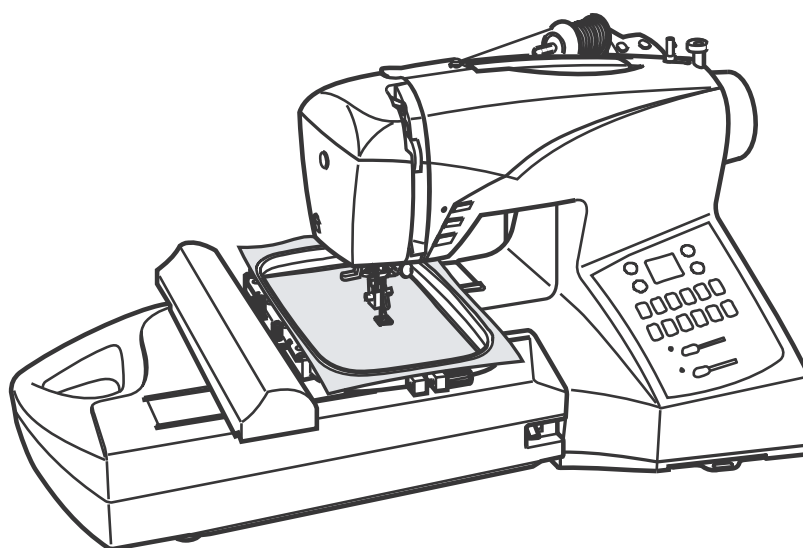


Parts List



500E



Please note that on disposal, this product must be safely recycled in accordance with relevant National legislation relating to electrical/electronic products. If in doubt please contact your retailer for guidance.

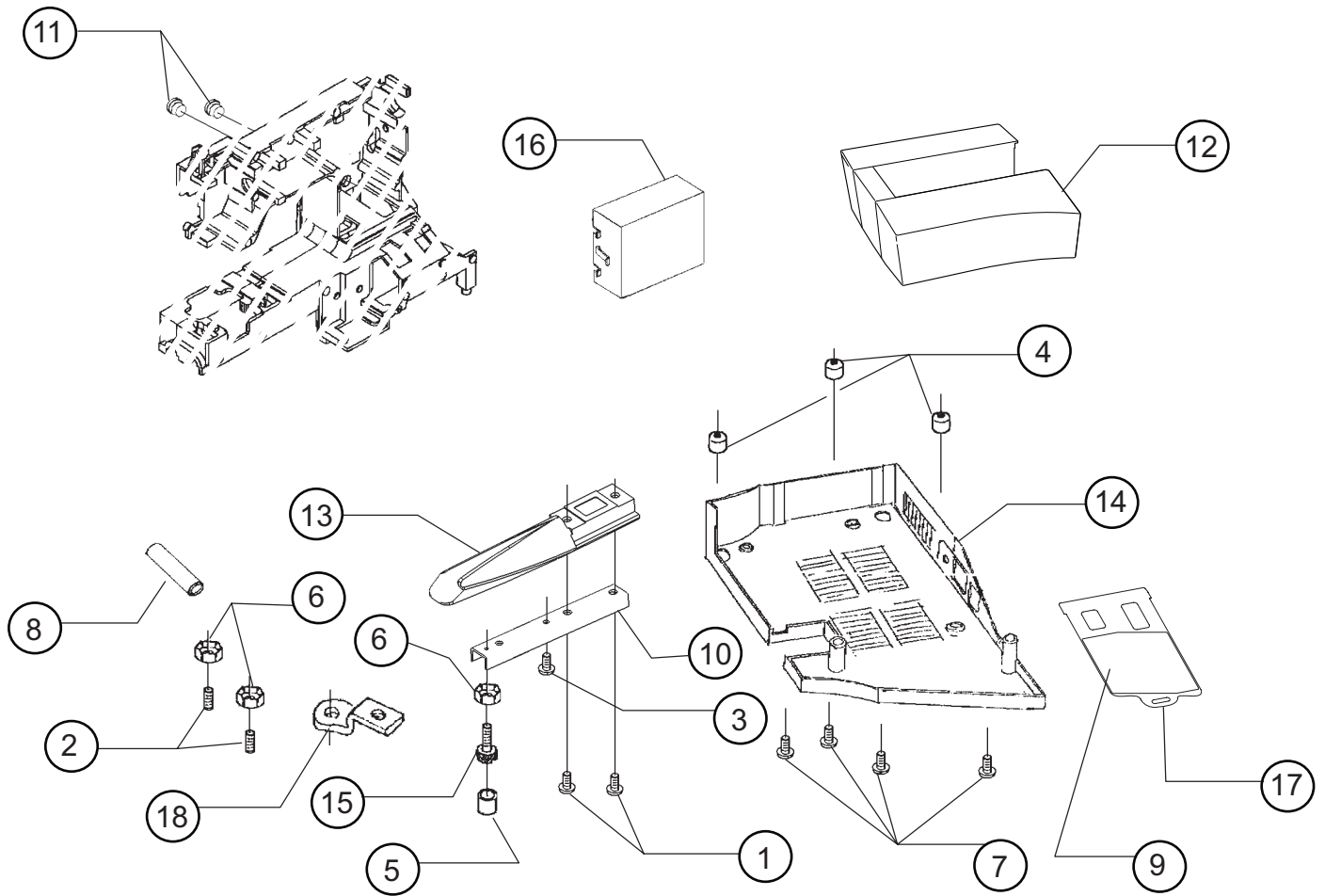


Bitte beachten Sie, dass hinsichtlich der Entsorgung dieses Produkts, vorschriftsmäßig entsprechend der gültigen nationalen Gesetzgebung für elektrische/elektronische Produkte, recycelt werden muss. Bei Zweifel setzen Sie sich bitte mit Ihrem Fachhändler in Verbindung.

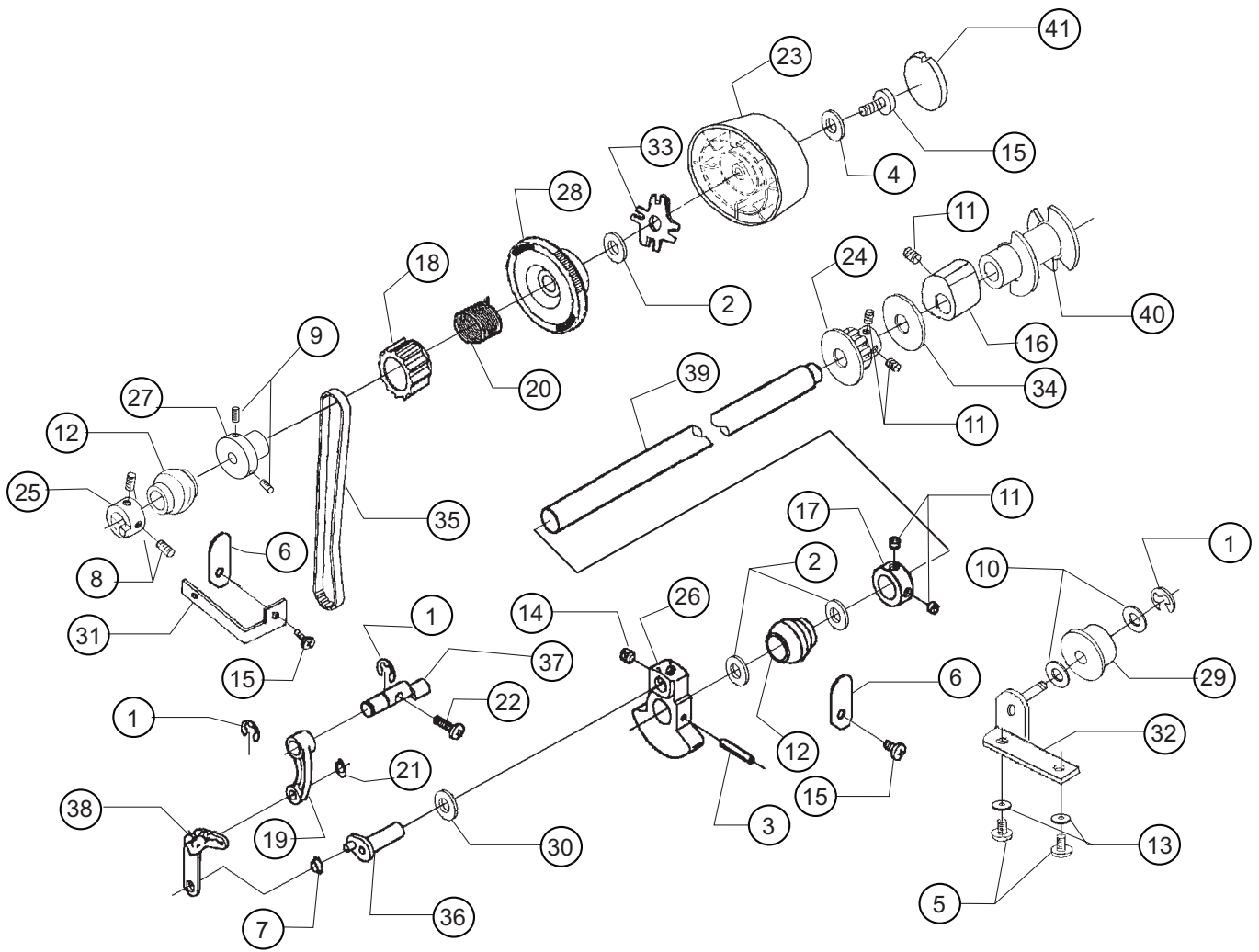


Veillez noter qu'en cas de destruction, ce produit doit bénéficier d'un recyclage sécurisé, conforme à la législation nationale applicable aux produits électriques/électroniques. En cas de doute, veuillez contacter votre distributeur agréé.

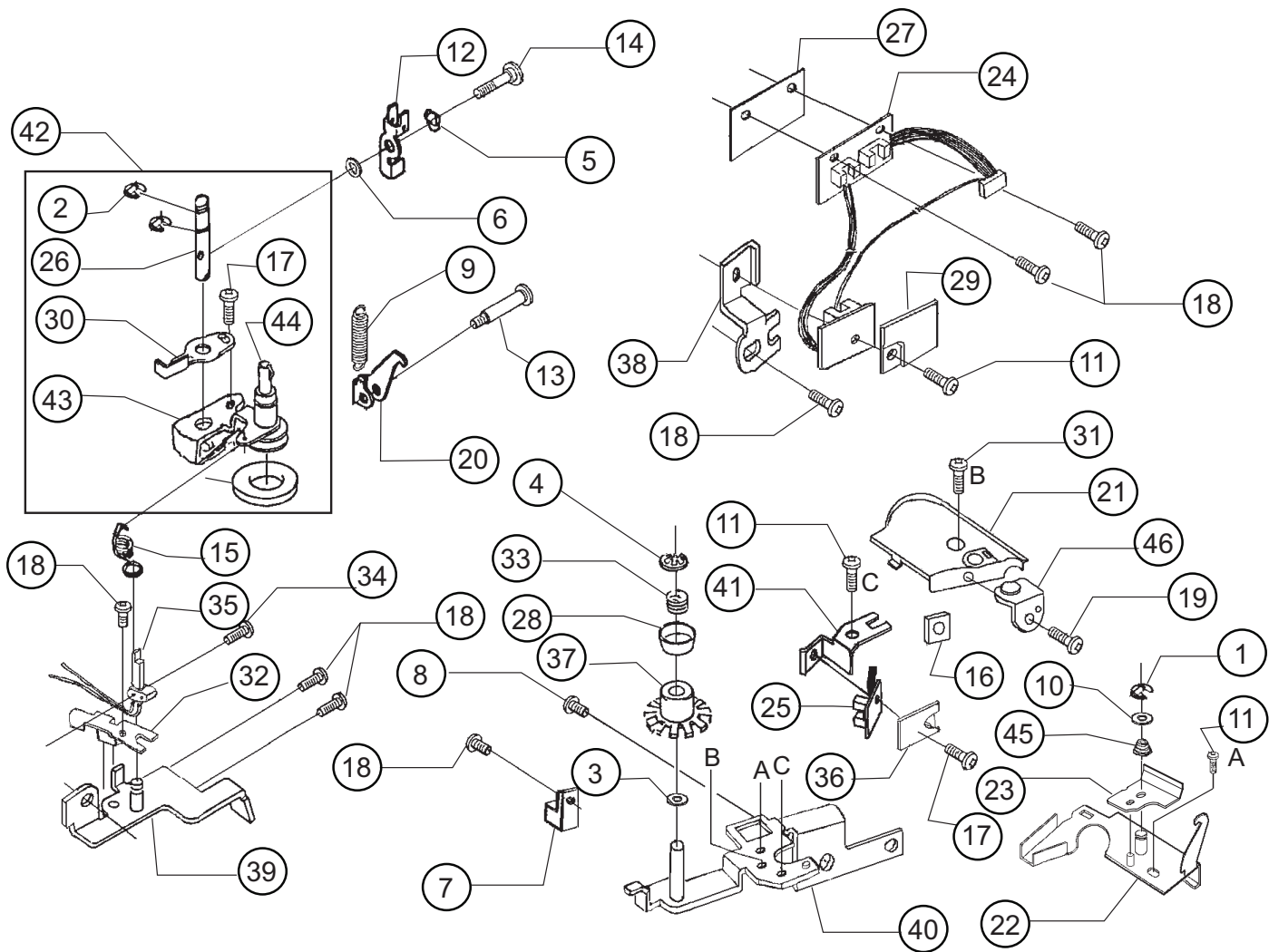
- All casted parts within our products are marked with name of material if allowed by size.
- All molded plastic parts within our products are marked with name of material if allowed by size.



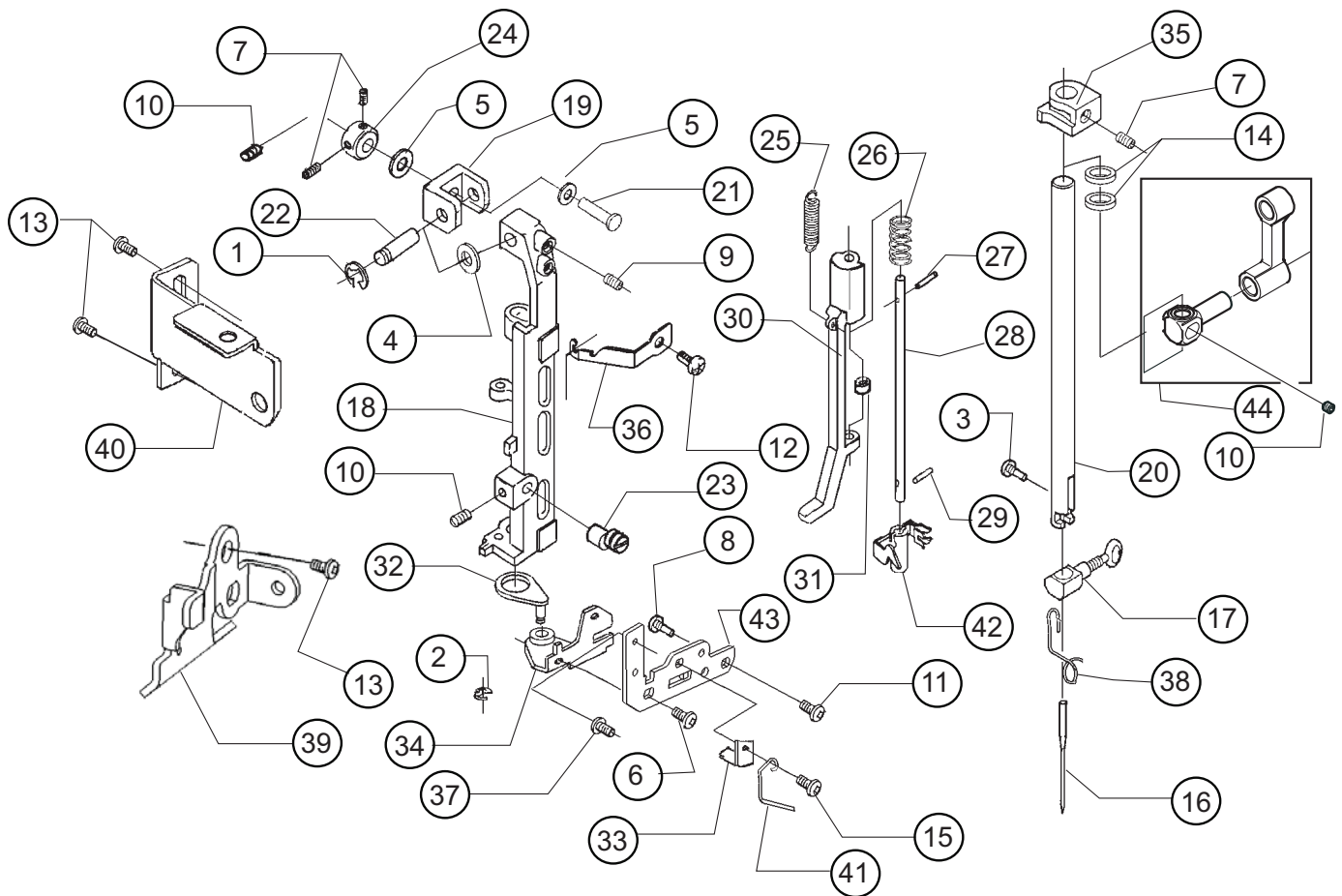
Pos	Part No	Description
1	270 061227	E6 PHILLIPS SCREW
2	270 061341	M4 SCREW
3	270 064203	TAPPING SCREW
4	270 066124	RUBBER FOOT
5	270 067533	RUBBER CUSHION
6	270 073299	M4 TORQUE NUT
7	270 077042	M4 PHILLIPS SCREW
8	N/S	TUBE
9	270 080070	COLLAR
10	270 083063	LEG
11	270 083077	REFERENCE SEET
12	270 083115	ACCESSORY BOX SET
13	416392301	LEG COVER
14	416392401	BOTTOM COVER
15	270 086038	STUD SCREW
16	270 086165	INSULATION BOX
17	270 086910	PATTERN DRAWER
18	270 086990	SECURING PLATE



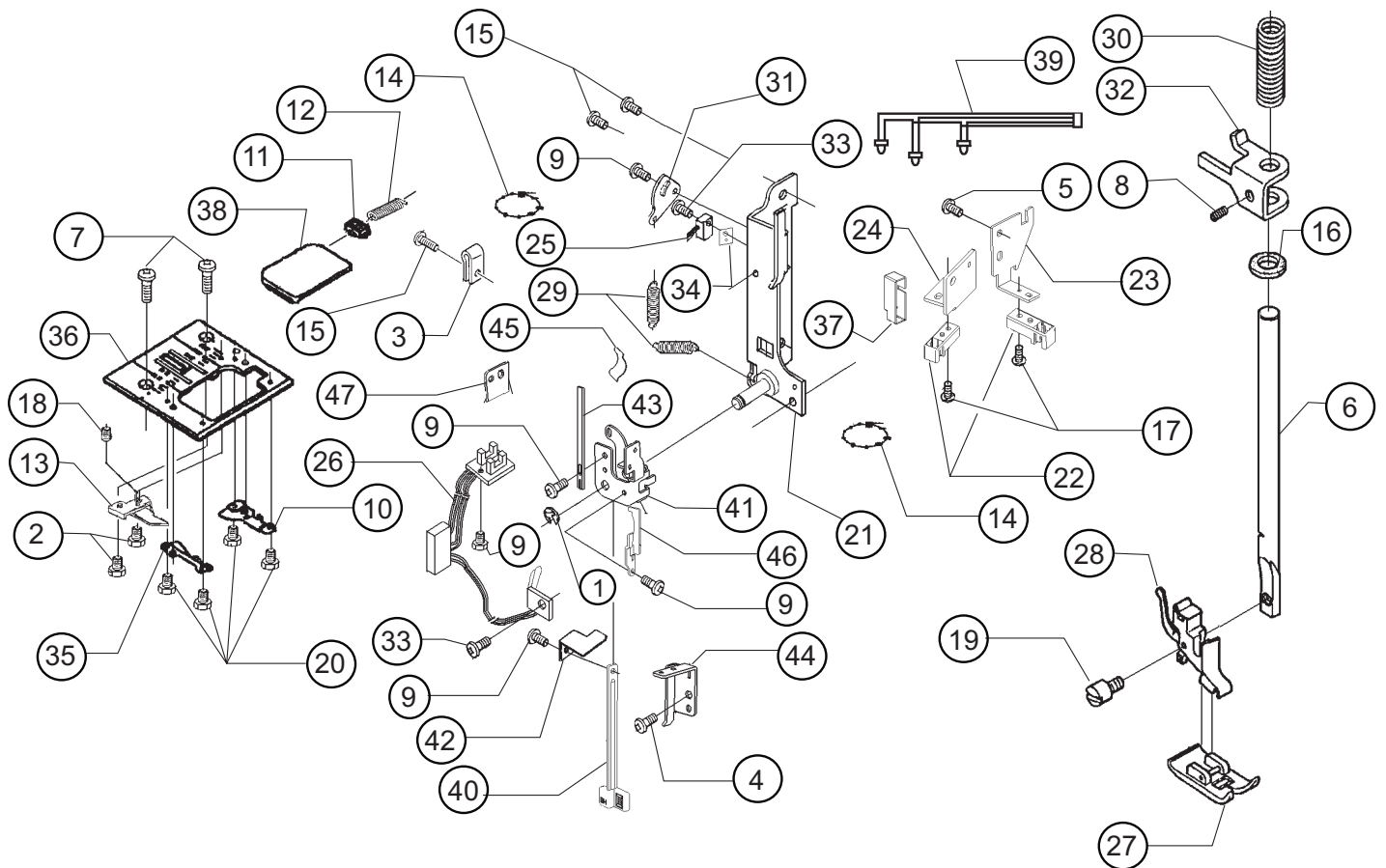
Pos	Part No	Description
1	270 010963	E6 CLIP-ON-WASHER
2	270 043389	THRUST WASHER
3	270 043930	SPRING PIN
4	270 053403	WASHER
5	270 061224	M4 PHILLIPS SCREW
6	270 066235	SECURING PLATE
7	270 066437	BUSH
8	270 066725	M4 SCREW
9	270 066727	M4 SCREW
10	270 066787	WASHER
11	270 067447	M5 SCREW
12	270 068152	BALL BUSH
13	270 068891	WASHER
14	270 073371	M6 SCREW
15	270 073434	M4 PHILLIPS SCREW
16	270 073471	FEED REGULATING CAM
17	270 073472	COLLAR
18	270 075047	CLUTCH
19	270 075060	TAKE-UP LEVER CRANK
20	270 075194	TORSION SPRING
21	270 075207	CS-CLIP
22	270 077035	M4 PHILLIPS SCREW
23	270 083050	HAND WHEEL
24	270 085003	BELT PULLEY
25	270 085013	POSITIONING COLLAR
26	270 085017	BLANCER
27	270 085046	COLLAR
28	270 085103	BELT PULLEY
29	270 085138	TENSION ROLLER
30	270 085178	WASHER
31	270 085184	LEAF SPRING
32	270 085189	TENSION ROLLER PLATE
33	270 085217	RETAINER
34	270 085253	WASHER
35	270 085403	TIMING BELT
36	270 086006	CRANK SHAFT
37	270 086007	SHAFT
38	270 086008	TAKE-UP LEVER
39	270 086030	MAIN SHAFT
40	270 086130	SENSOR CAM
41	270 087288	PULLEY CAP



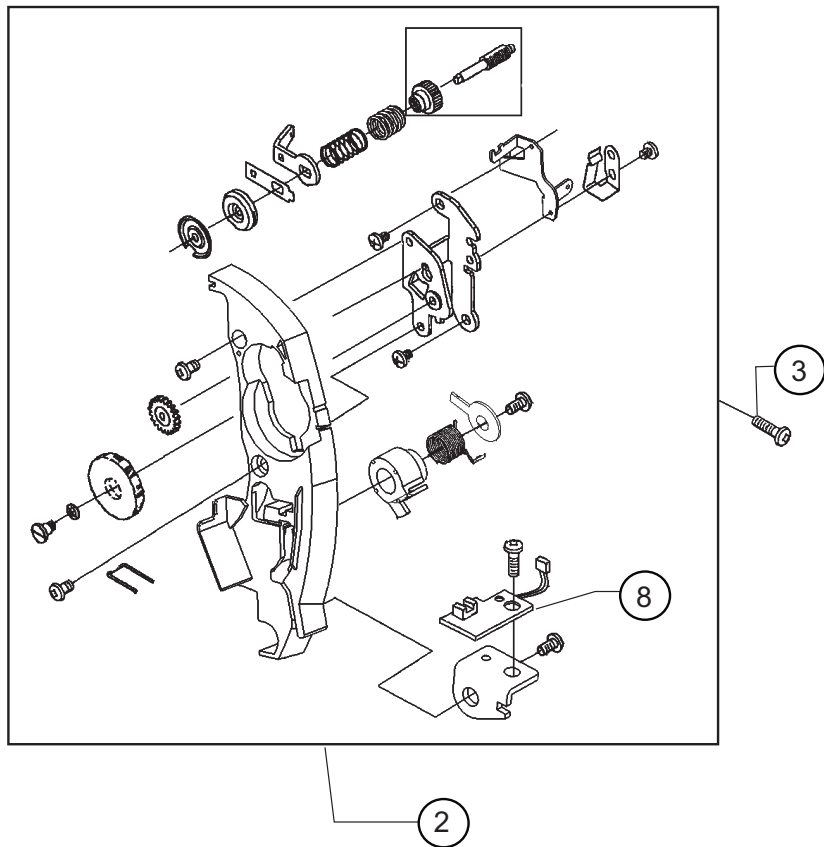
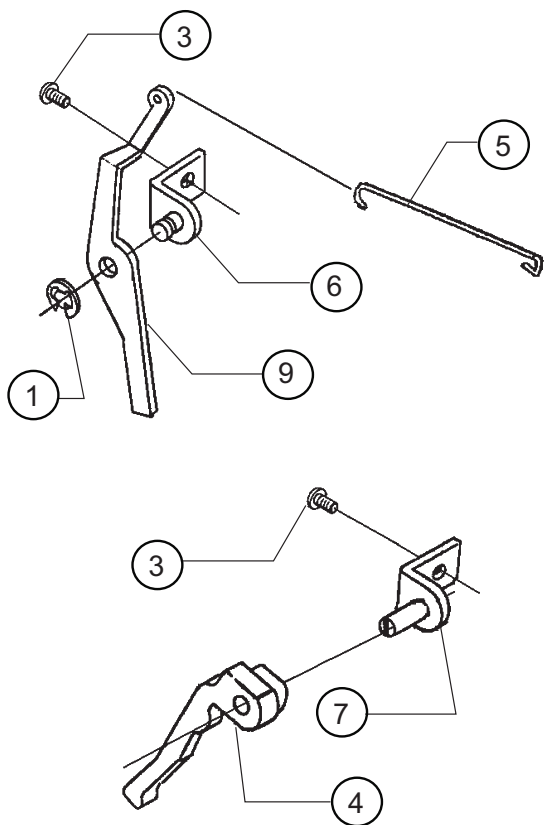
Pos	Part No	Description
1	270 001520	E3 CLIP-ON-WASHER
2	270 010963	E6 CLIP-ON-WASHER
3	270 035942	WASHER
4	270 039542	CLIP-ON-WASHER
5	270 042359	CRINKLE WASHER
6	270 058220	WASHER
7	270 058741	CORD GUARD
8	270 061224	M4 PHILLIPS SCREW
9	270 068332	EXTENSION SPRING
10	270 072858	WASHER
11	270 073900	M3 SCREW
12	270 075131	RATCHET B
13	270 075163	M4 STUD SCREW
14	N/S	M4 STUD SCREW
15	270 075196	TORSION SPRING
16	270 075226	SQUARE NUT
17	270 076317	M3 PHILLIPS SCREW
18	270 077042	M4 PHILLIPS SCREW
19	270 077044	M3 PHILLIPS SCREW
20	N/S	RATCHET A
21	270 083061	TENSION SENSOR COVER
22	N/S	THREAD PLATE
23	N/S	THREAD REGULATE PLATE
24	270 084018	MAIN SHAFT SENSOR HARNESS
25	270 084019	THREAD SENSOR
26	270 085071	SHAFT#8
27	270 085102	PROTECTION SHEET
28	270 085135	END CAP
29	270 085174	COVER
30	270 085221	ABUTMENT LEVER
31	270 085263	M3 PHILLIPS SCREW
32	270 085268	SENSOR BRACKET
33	270 085270	COIL SPRING
34	270 085274	M2 SCREW
35	270 085355	SENSOR HARNESS
36	270 085358	COVER
37	N/S	SENSOR WHEEL
38	270 086212	ENCODER FIXING PLATE
39	270 086236	BASE PLATE
40	270 086926	SECURING PLATE
41	270 086927	SECURING PLATE
42	270 086928	BOBBIN WINDER COMPLETE
43	270 086929	BOBBIN WINDER BASE
44	270 086930	BOBBIN WINDER SHAFT
45	270 086999	SPRING
46	270 087007	THREAD GUIDE



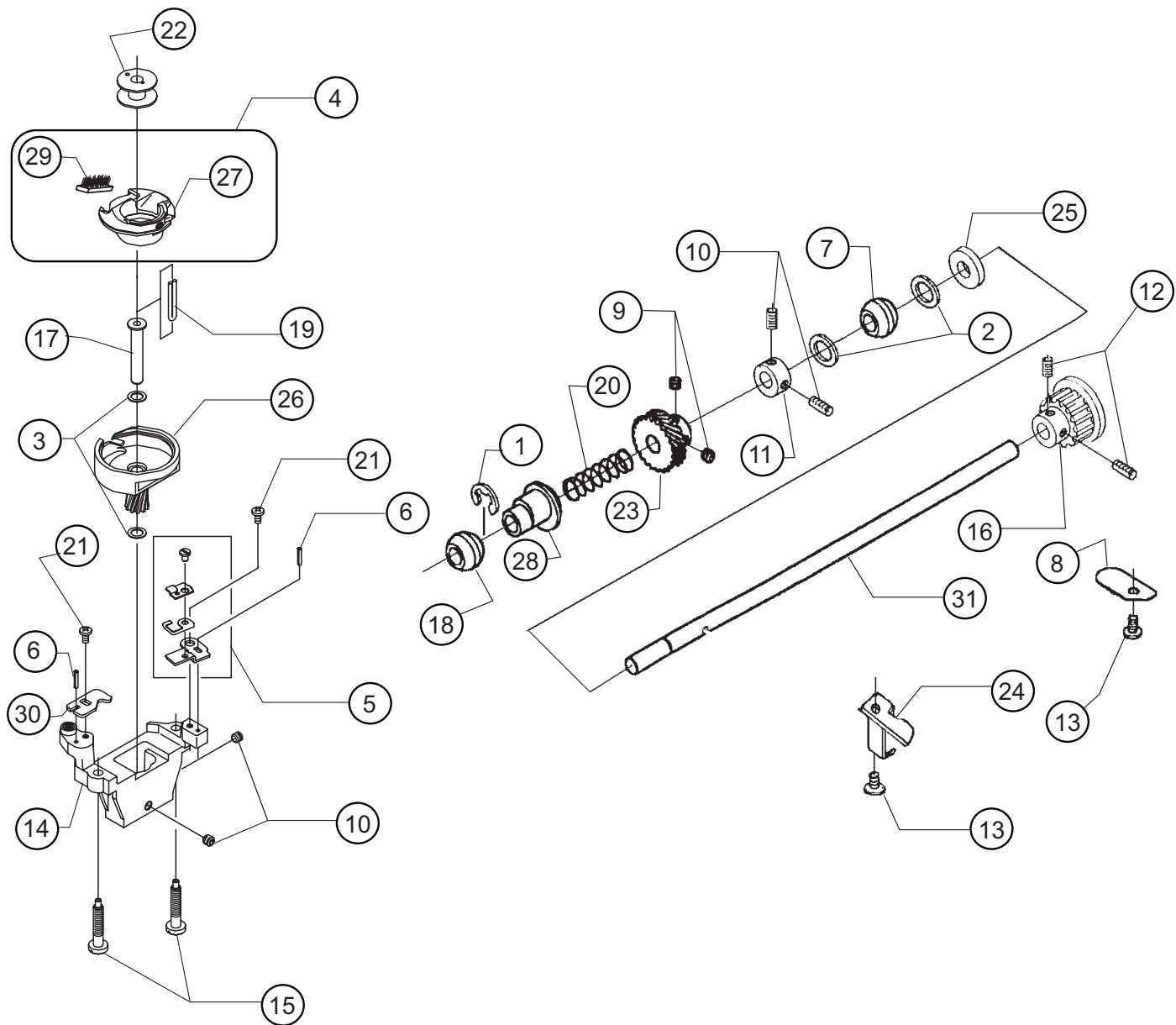
Pos	Part No	Description
1	270 001513	E4 CLIP-ON-WASHER
2	270 001520	E3 CLIP-ON-WASHER
3	270 026934	#8 SCREW
4	270 043392	THRUST WASHER
5	270 043393	WASHER
6	270 061222	M4 PHILLIPS SCREW
7	270 064653	M3 SCREW
8	270 065818	M4 BOLT
9	270 066052	M4 SCREW
10	270 066725	M4 SCREW
11	270 073434	M4 PHILLIPS SCREW
12	270 073900	M3 SCREW
13	270 077042	M4 PHILLIPS SCREW
14	N/S	FELT
15	270 077044	M3 PHILLIPS SCREW
16	N/S	NEEDLE
17	270 083132	NEEDLE CLAMP SET
18	270 085005	NEEDLE BAR SUPPORT
19	270 085014	FULCRUM BLOCK
20	270 085041	NEEDLE BAR
21	N/S	HEADED PIN
22	270 085045	PIN
23	270 085050	ECCENTRIC
24	270 085058	COLLAR
25	270 085059	EXTENSION SPRING
26	270 085060	COMPRESSION SPRING
27	270 085061	SPRING PIN
28	270 085062	THREADER SHAFT SET
29	270 085075	SPRING PIN
30	270 085152	LEVER
31	270 085158	COLLAR
32	270 085206	SUPPORT
33	270 085208	PLATE
34	270 085209	SUPPORT PLATE
35	270 085235	STOPPER
36	270 085245	LEFT SPRING
37	270 085263	M3 SCREW
38	270 086046	THREAD GUIDE
39	N/S	THREAD GUIDE PLATE
40	270 086216	COVER MOUNTING PLATE
41	270 087008	WIRE SPRING
42	270 087010	THREADER ASSEMBLY
43	N/S	SUPPORT PLATE
44	270 087703	NEEDLE BAR CLAMP SET



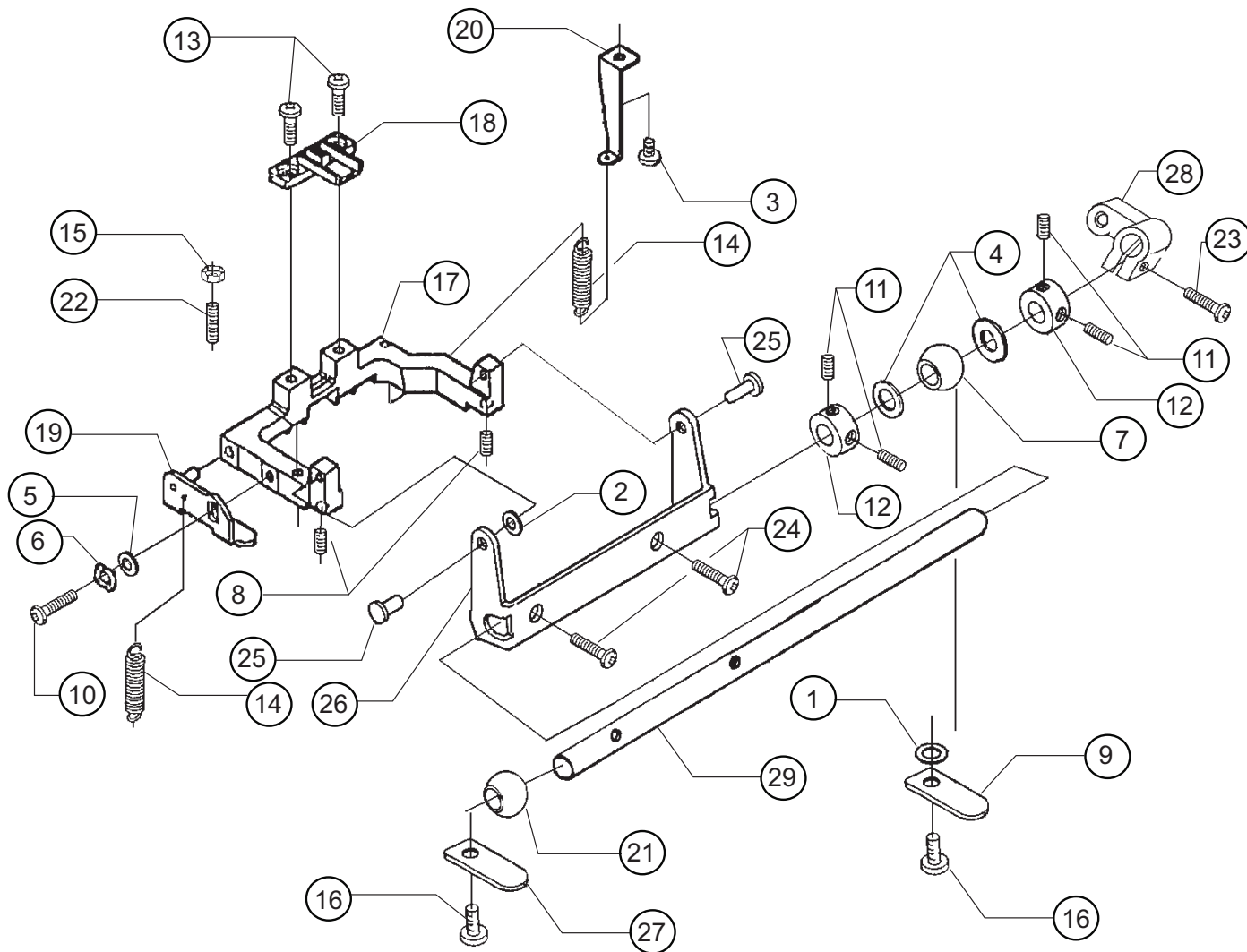
Pos	Part No	Description
1	270 001520	E3 CLIP-ON-WASHER
2	270 056858	M2 PHILLIPS SCREW
3	270 058741	CORD GUARD
4	270 061221	M4 PHILLIPS SCREW
5	270 061222	M4 PHILLIPS SCREW
6	270 063278	PRESSER BAR
7	270 064051	M4 SCREW
8	270 066727	M4 SCREW
9	270 073900	M3 SCREW
10	270 076114	COVER GUIDE (R)
11	270 076158	RELEASE LEVER
12	270 076159	COMPRESSION LEVER
13	270 076547	THREAD CONTROL PLATE
14	270 077041	UNITY FASTENER
15	270 077042	M4 PHILLIPS SCREW
16	270 077043	FELT
17	270 077057	M3 SCREW
18	270 079491	SET SCREW
19	270 080065	#7 SCREW FOR SHANK
20	270 080096	M2 PHILLIPS SCREW
21	N/S	PRESSER BAR MOUNTING PLATE
22	N/S	LED LIGHT HOLDER
23	N/S	LED LIGHT PLATE (B1)
24	N/S	LED LIGHT PLATE (B2)
25	270 084029	MINI SWITCH
26	270 084039	BH LEVER SWITCH
27	270 085015	ZIGZAG PRESSER FOOT
28	270 085016	PRESSER FOOT HOLDER
29	270 085064	EXTENSION SPRING
30	270 085065	COMPRESSION SPRING
31	270 085182	CONTROL PLATE
32	270 085227	PRESSER BAR BLOCK
33	270 085262	M2 SCREW
34	270 085332	SPACER
35	270 086228	COVER GUIDE (L)
36	270 086996	NEEDLE PLATE
37	N/S	LED LIGHT HOLDER
38	270 087456	SHUTTLE RACE COVER
39	270 087605	LED LIGHT
40	270 087677	BH PLATE (A)
41	270 087679	BH PLATE (B)
42	270 087680	BH PLATE (C)
43	270 087692	BH CANTILEVER
44	270 087693	BH PALTE
45	270 087694	LEAF SPRING
46	270 087695	BH CANTILEVER SUPPORT
47	270 088112	INSULATION SHEET



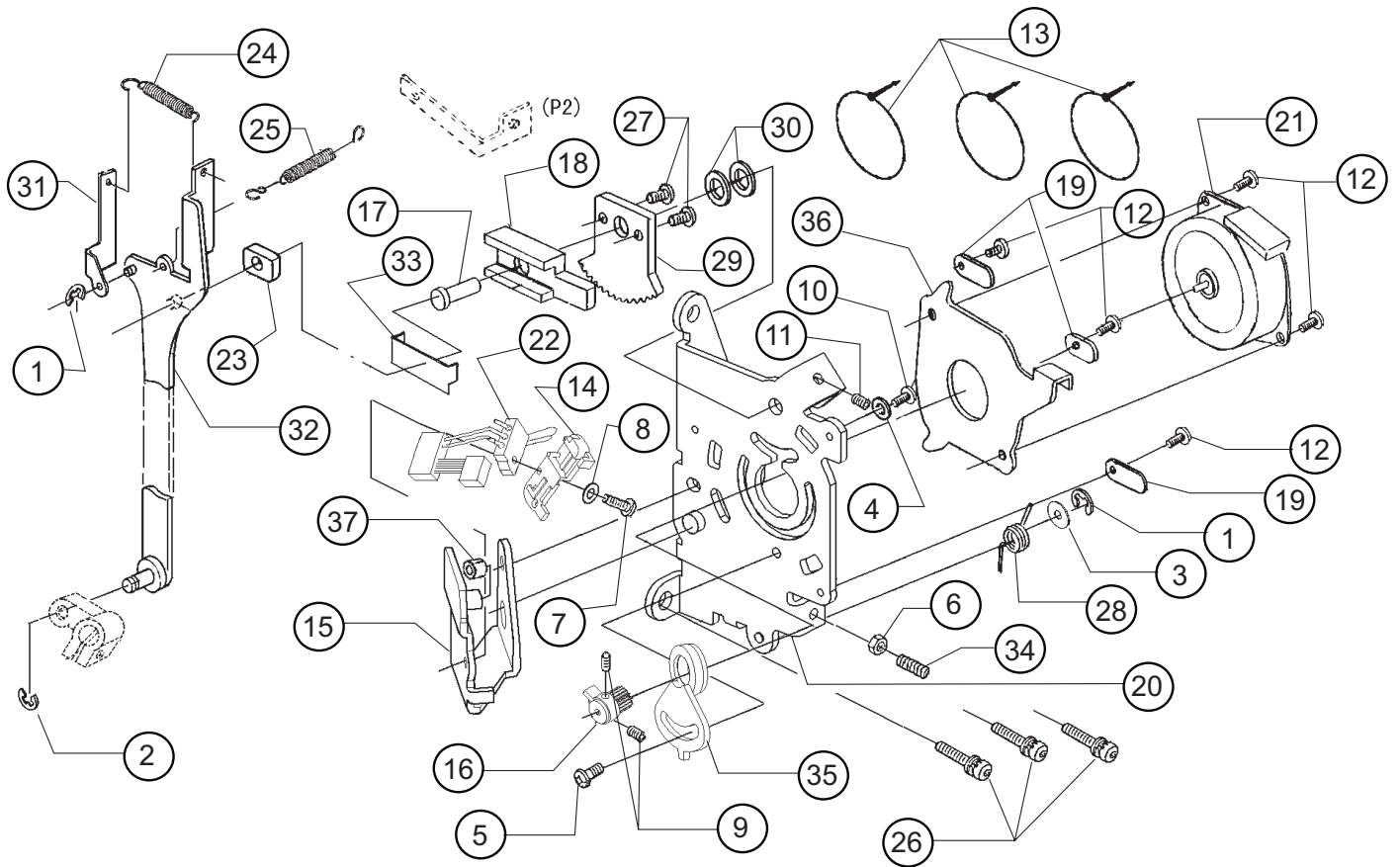
Pos	Part No	Description
1	270 008400	E5 CLIP-ON-WASHER
2	270 051094	THREAD GUIDE PLATE UNIT
3	270 077042	M4 PHILLIPS SCREW
4	270 085002	PRESSER BAR LIFTER
5	270 085054	CONNECTING WIRE
6	270 085226	PLATE WITH PIN
7	270 085228	PLATE WITH PIN
8	270 086182	THREAD SENSOR 2
9	270 086195	RELEASE LEVER



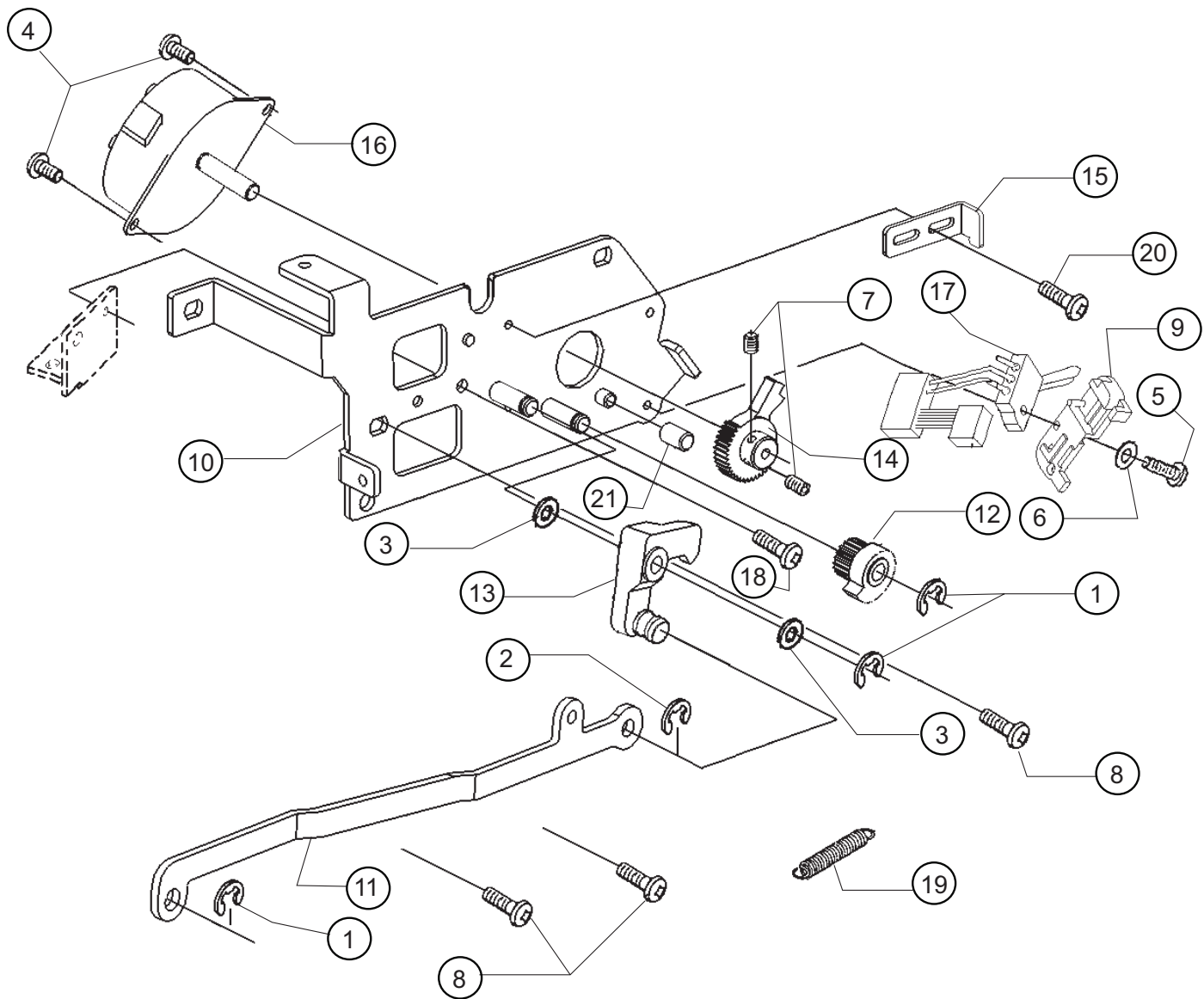
Pos	Part No	Description
1	270 001504	E7 CLIP-ON-WASHER
2	270 043390	THRUST WASHER
3	270 043392	THRUST WASHER
4	270 051045	BOBBIN CASE SET
5	270 051058	RETAINER SET
6	270 060162	KNOCK PIN
7	270 061770	BALL BUSHING
8	270 066235	SECURING PLATE
9	270 066474	M5 SCREW
10	270 066725	M4 SCREW
11	270 067444	COLLAR
12	270 067447	M5 SCREW
13	270 073434	M4 PHILLIPS SCREW
14	270 076027	SHUTTLE RACE BASE
15	270 076134	SCREW
16	270 076136	BELT METAL
17	270 076137	SHUTTLE RACE SHAFT
18	270 076141	BALL BUSHING
19	270 076203	OILING CORD
20	270 076205	TORSION SPRING
21	270 076317	M3 PHILLIPS SCREW
22	270 085128	BOBBIN
23	270 085129	BEVEL GEAR
24	270 085239	SECURING PLATE
25	270 085251	WASHER
26	270 086080	SHUTTLE RACE
27	270 086132	BOBBIN CASE
28	270 086133	FEED LIFTING CAM
29	270 086136	BRUSH
30	270 086239	BOBBIN CASE STOPPER
31	270 086899	LOWER SHAFT



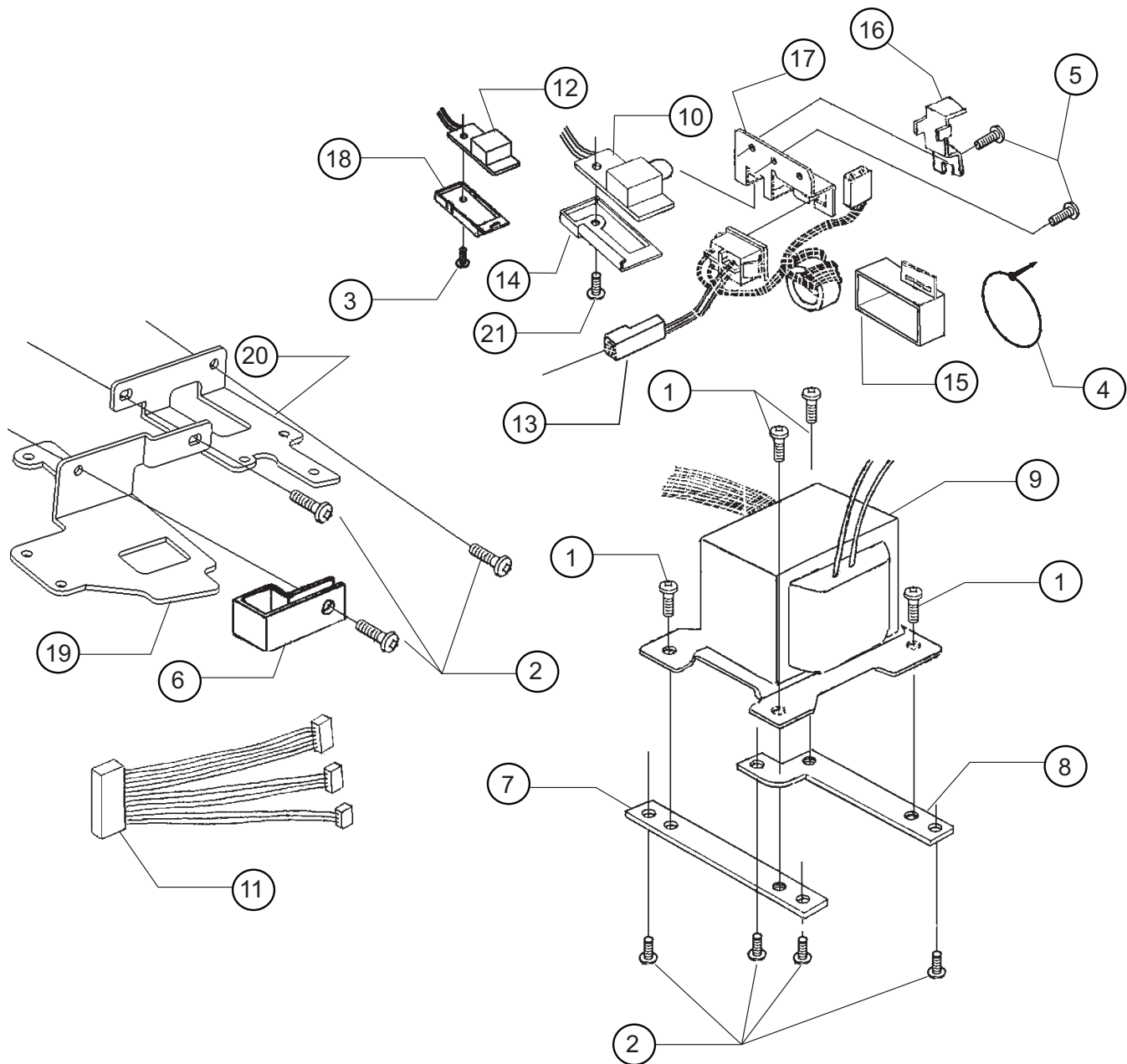
Pos	Part No	Description
1	270 032949	WASHER
2	270 037515	WASHER
3	270 039817	M4 PHILLIPS SCREW
4	270 043390	THRUST WASHER
5	270 043858	WASHER
6	270 061381	CRINKLE WASHER
7	270 061770	BALL BUSHING
8	270 064653	M3 SCREW
9	270 066235	SECURING PLATE
10	270 066481	M4 STUD SCREW
11	270 066725	M4 SCREW
12	270 067444	COLLAR
13	270 072791	M4 SCREW
14	270 072826	EXTENSION SPRING
15	270 073299	M4 TORQUE NUT
16	270 073434	M4 PHILLIPS SCREW
17	270 076025	FEED DOG BASE
18	270 076104	FEED DOGS
19	270 076122	FEED BASE ADJUSTMENT
20	270 076125	SPRING HOOK PLATE
21	270 076141	BALL BUSHING
22	270 076324	M4 SCREW
23	270 077035	M4 PHILLIPS SCREW
24	270 077042	M4 PHILLIPS SCREW
25	270 085052	PIN W / HEAD
26	270 085192	FEED-DOG BASE BRACKET
27	270 085247	SECURING PLATE
28	270 086004	FEED REGULATING ARM
29	270 086032	HORIZONTAL FEED SHAFT



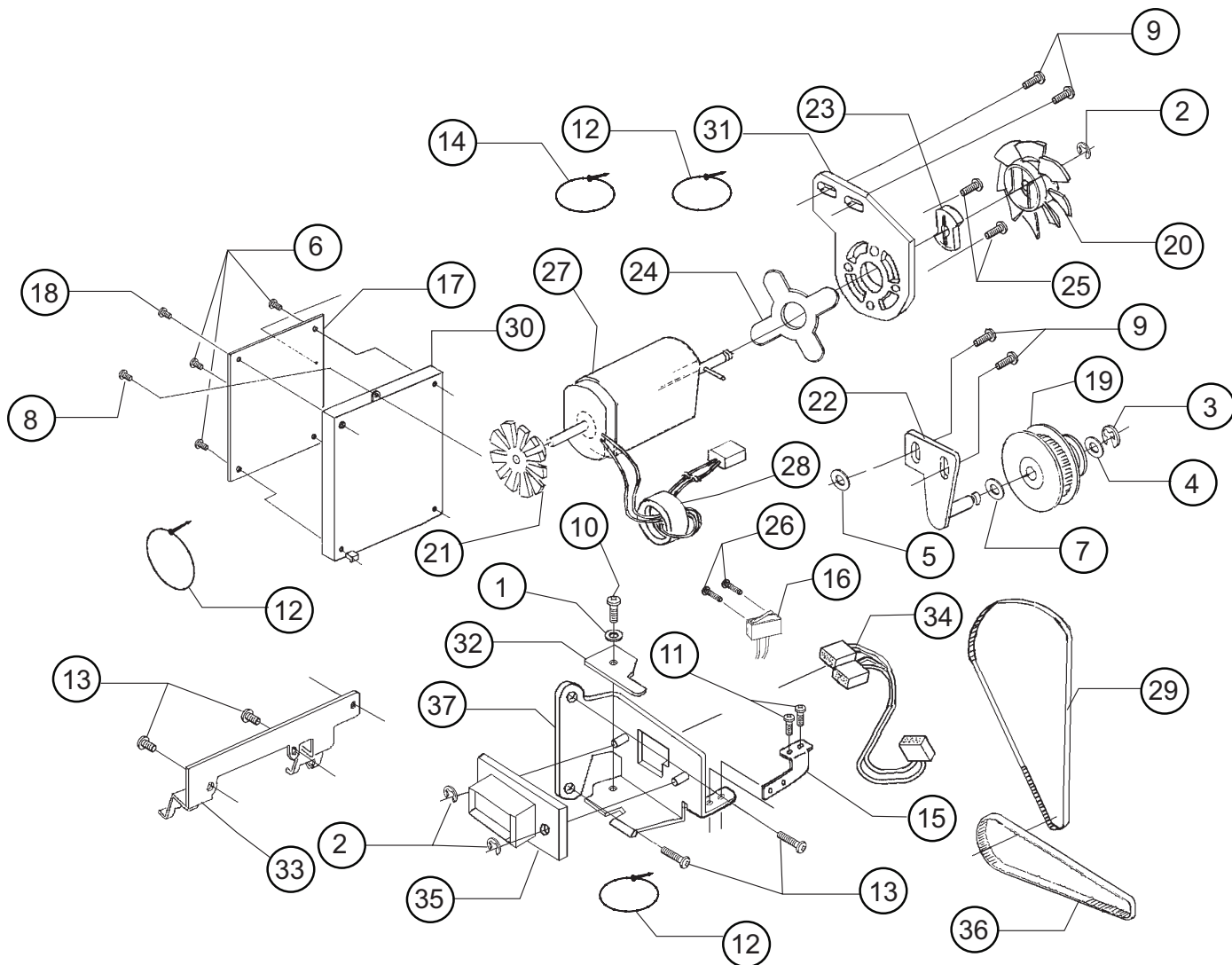
Pos	Part No	Description
1	270 001513	E4 CLIP-ON-WASHER
2	270 008400	E5 CLIP-ON-WASHER
3	270 032949	WASHER
4	270 058220	WASHER
5	270 061221	M4 PHILIPS SCREW
6	270 062215	M4 NUT
7	270 063796	M3 SCREW
8	270 063805	WASHER
9	270 064653	M3 SCREW
10	270 064686	M4 HEX HEADED STUD SCREW
11	270 068922	M4 SCREW
12	270 076317	M3 PHILIPS SCREW
13	270 077041	UNITY FASTENER
14	270 077527	SENSOR COVER
15	N/S	FEED SENSOR BRACKET
16	270 083032	PINION GEAR
17	N/S	HEADED PIN
18	N/S	FEED CONTROL REGULATOR
19	N/S	SECURING PLATE
20	N/S	MOUNTING BRACKET
21	270 084006	STEP MOTOR
22	N/S	HARNES FOR PULS MOTOR
23	270 085009	SLIDE BLOCK
24	270 085055	EXTENSION SPRING
25	270 085066	EXTENSION SPRING
26	270 085068	CAP-BOLT
27	270 085072	M3 SCREW
28	270 085076	TORSION SPRING
29	270 085137	FEED CONTROL GEAR
30	270 085162	WASHER
31	270 085180	PLATE
32	270 085191	FEED CONTROL ROD
33	270 085254	PLATE
34	270 086034	M4 SCREW
35	N/S	BUSH
36	270 086196	MOTOR BRACKET
37	270 087273	RING



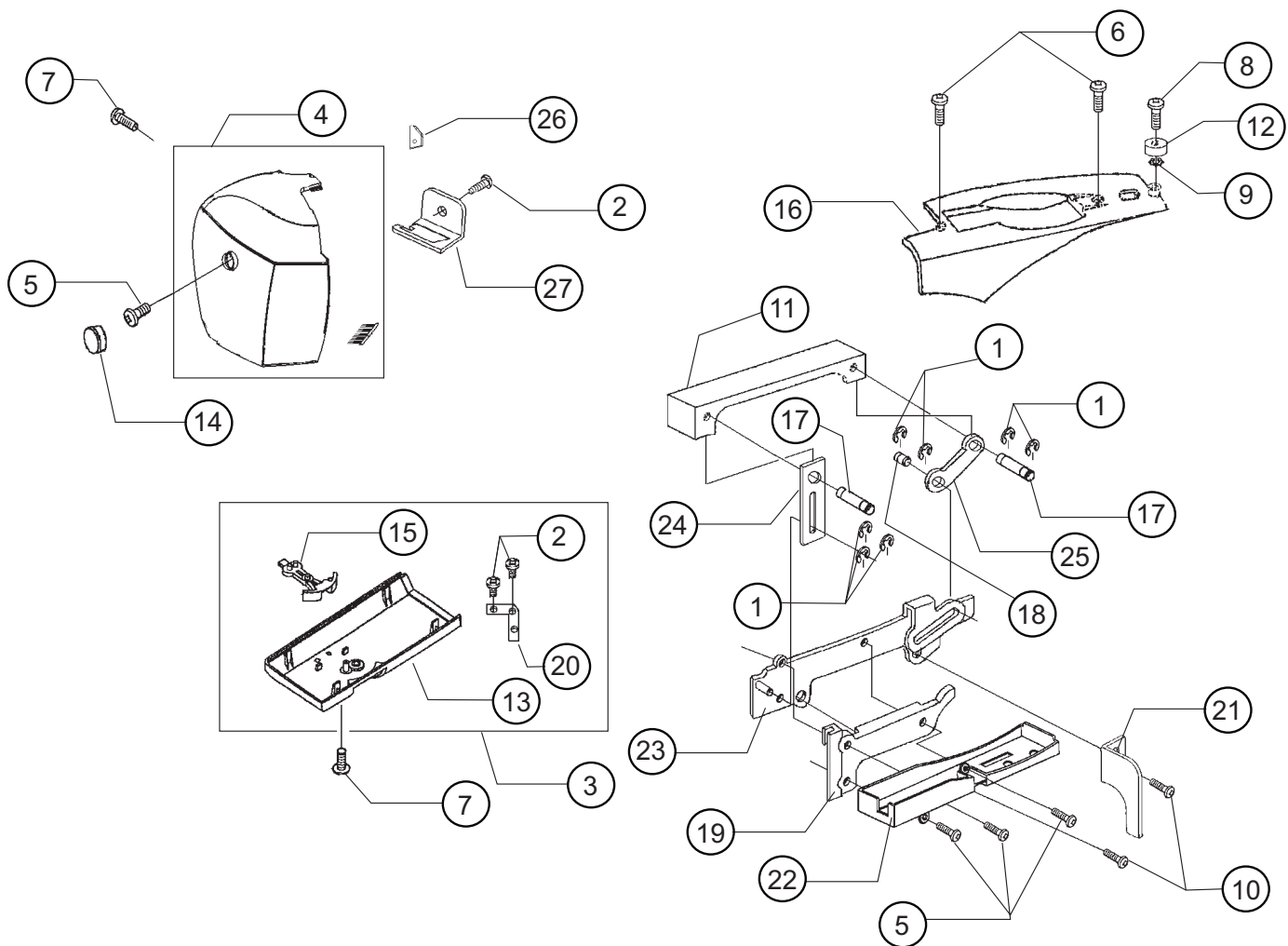
Pos	Part No	Description
1	270 001513	E4 CLIP-ON-WASHER
2	270 001520	E3 CLIP-ON-WASHER
3	270 009098	WASHER
4	270 063524	M3 BOLT
5	270 063796	M3 SCREW
6	270 063805	WASHER
7	270 064653	M3 SCREW
8	270 077042	M4 PHILIPS SCREW
9	270 077527	SENSOR COVER
10	N/S	MOTOR BRACKET
11	N/S	ZIGZAG CONNECTING ROD
12	270 083027	ZIGZAG DRIVE GEAR
13	N/S	ZZ LIMITING PLATE
14	270 083029	SENSOR SUPPORT LEVER
15	N/S	SECURING PLATE
16	270 084007	STEP MOTOR
17	270 084021	SENSOR UNIT
18	270 085263	M3 SCREW
19	270 087183	SPRING
20	270 087256	M3 SCREW
21	270 087273	RING



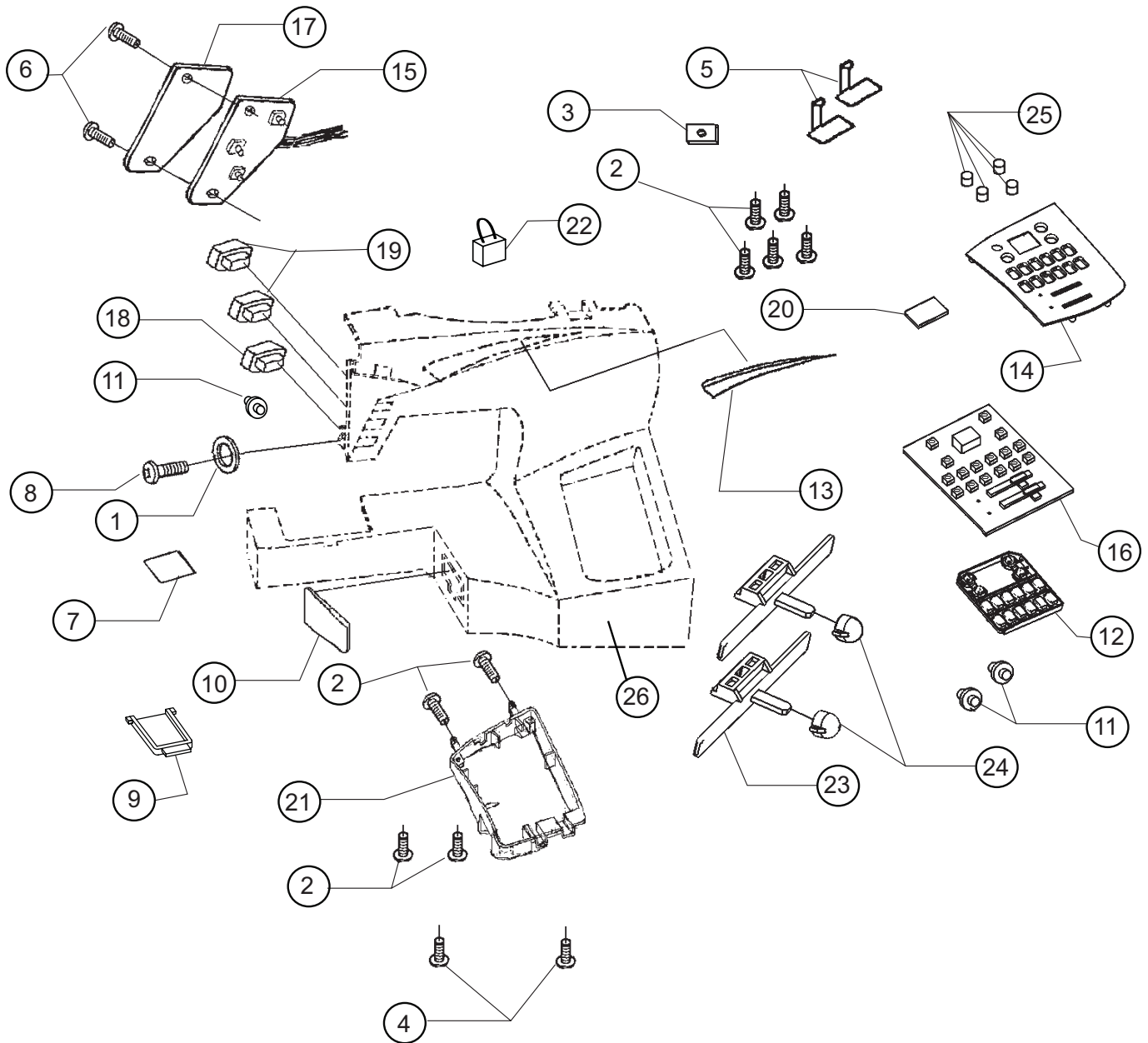
Pos	Part No	Description
1	270 061221	M4 PHILLIPS SCREW
2	270 061224	M4 PHILLIPS SCREW
3	270 073900	M3 SCREW
4	270 077041	UNITY FASTENER
5	270 077042	M4 PHILLIPS SCREW
6	N/S	CORD GUARD
7	N/S	BRACKET A
8	N/S	BRACKET B
9	270 084015	TRANSFORMER (120V)
10	270 084023	F.C.JACK HARNESS
11	270 084024	CONNECTING HARNESS
12	270 084030	USB HARNESS
13	270 084040	SWITCH HARNESS (120V)
14	270 086149	JACK COVER
15	270 086151	SWITCH COVER
16	270 086194	SECURING PLATE
17	270 086217	SWITCH BRACKET
18	270 086934	USB INSULATION COVER
19	270 087027	CORD BRACKET(A)
20	270 087033	CORD BRACKET B
21	270 087256	M3 SCREW



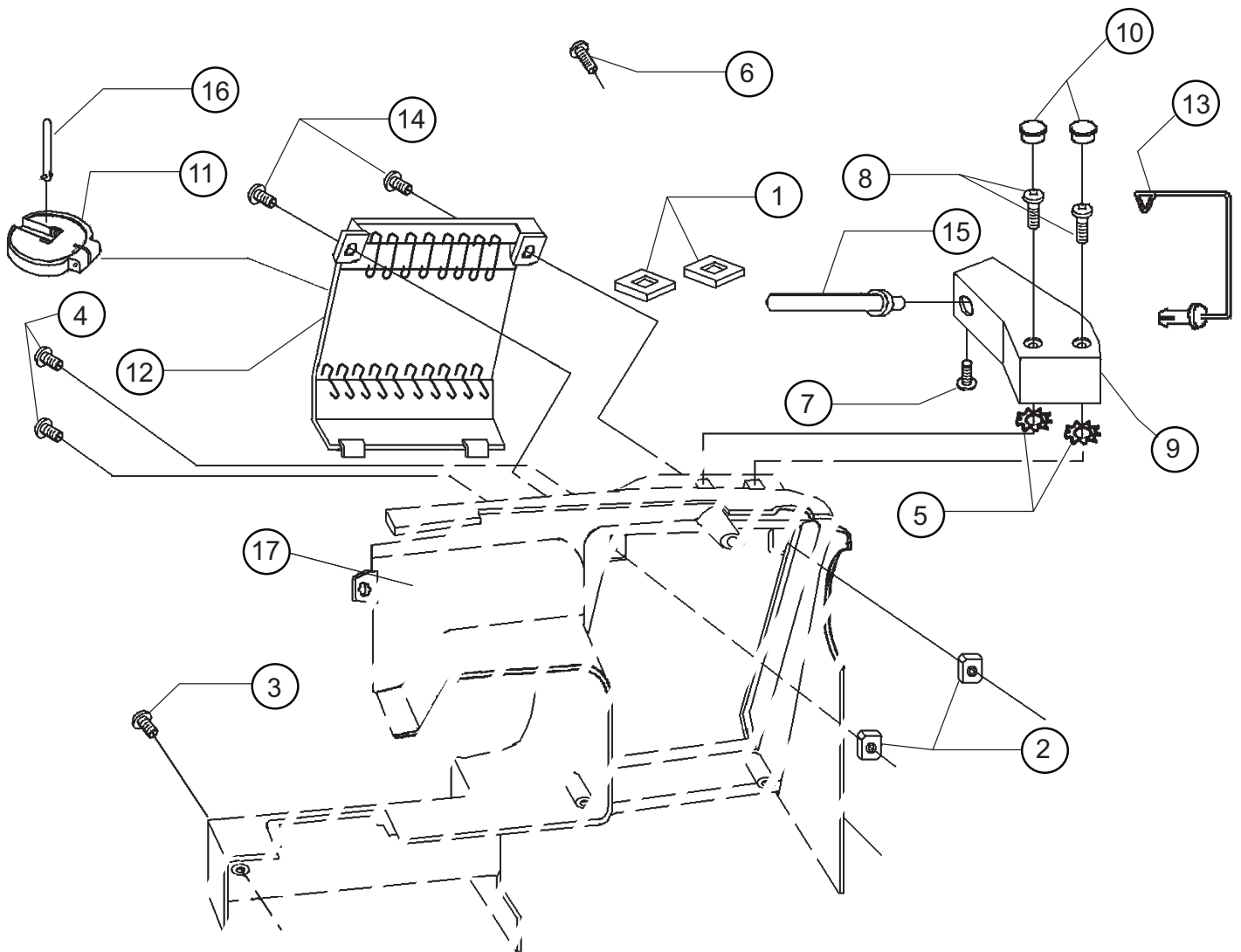
Pos	Part No	Description
1	270 001424	WASHER
2	270 001520	E3 CLIP-ON-WASHER
3	270 008400	E5 CLIP-ON-WASHER
4	270 008466	WASHER
5	270 035818	WASHER
6	270 039163	TAPPING SCREW
7	270 043392	THRUST WASHER
8	270 061224	M4 PHILLIPS SCREW
9	270 063560	M4 PHILLIPS SCREW
10	270 065818	M4 BOLT
11	270 073900	M3 SCREW
12	270 077041	UNITY FASTENER
13	270 077042	M4 PHILLIPS SCREW
14	N/S	UNITY FASTENER
15	N/S	SWITCH BRACKET
16	270 084004	SWITCH HARNESS
17	270 084060	MAIN CIRCUIT BOARD
18	270 085074	M3 SCREW
19	270 085126	IDLER PULLEY
20	270 085130	MOTOR PULLEY
21	270 085132	ENCODER
22	270 085188	IDLER PULLEY BRACKET
23	270 085257	RUBBER STOPPER
24	270 085259	RUBBER CUSHION
25	270 085263	M3 SCREW
26	270 085274	M2 SCREW
27	270 085302	MOTOR
28	270 085318	FERRITE RING
29	270 085400	BELT (L)
30	270 086166	C.B. CONTAINER
31	270 086201	MOTOR BRACKET
32	270 086204	STOPPER
33	270 086218	BOARD BRACKET
34	270 086262	HARNESS (A)
35	270 086270	CONNECTOR
36	270 086279	BELT (S)
37	270 086923	CONNECTOR BRACKET



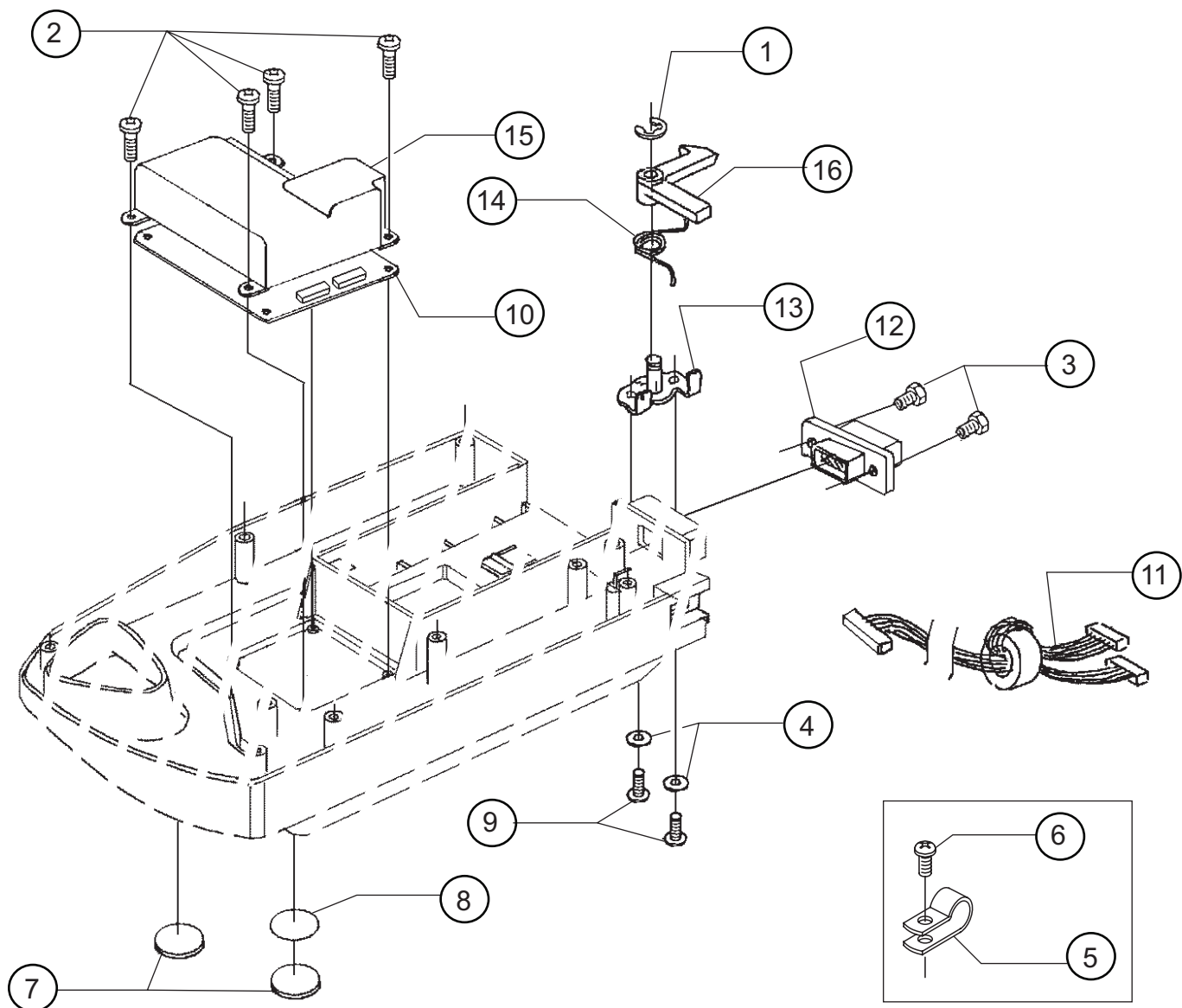
Pos	Part No	Description
1	270 001513	E4 CLIP-ON-WASHER
2	270 039213	M3 SCREW
3	270 051095	BOTTOM COVER SET
4	416392501	FACE COVER
5	270 061222	M4 PHILLIPS SCREW
6	270 061224	M4 PHILLIPS SCREW
7	270 061225	M4 PHILLIPS SCREW
8	270 063736	TAPPING SCREW
9	270 064360	TOOTHED WASHER
10	270 067394	M5 PHILLIPS SCREW
11	270 083055	HANDLE
12	N/S	BOBBIN WINDER LATCH
13	270 083065	BOTTOM COVER
14	270 083116	CAP
15	270 083121	DROP KNOB
16	416392601	ROOF COVER
17	270 086033	SHAFT
18	270 086035	SHAFT
19	270 086127	HANDLE GUIDE
20	270 086139	DROP KNOB PLATE
21	N/S	LIMITING PLATE
22	270 086249	HANDLE BASE COVER
23	270 086250	HANDLE BRACKET
24	270 086251	SLIDE LINK (LEFT)
25	270 086252	SLIDE LINK (RIGHT)
26	270 087344	BLADE
27	270 087345	BLADE FIXTURE



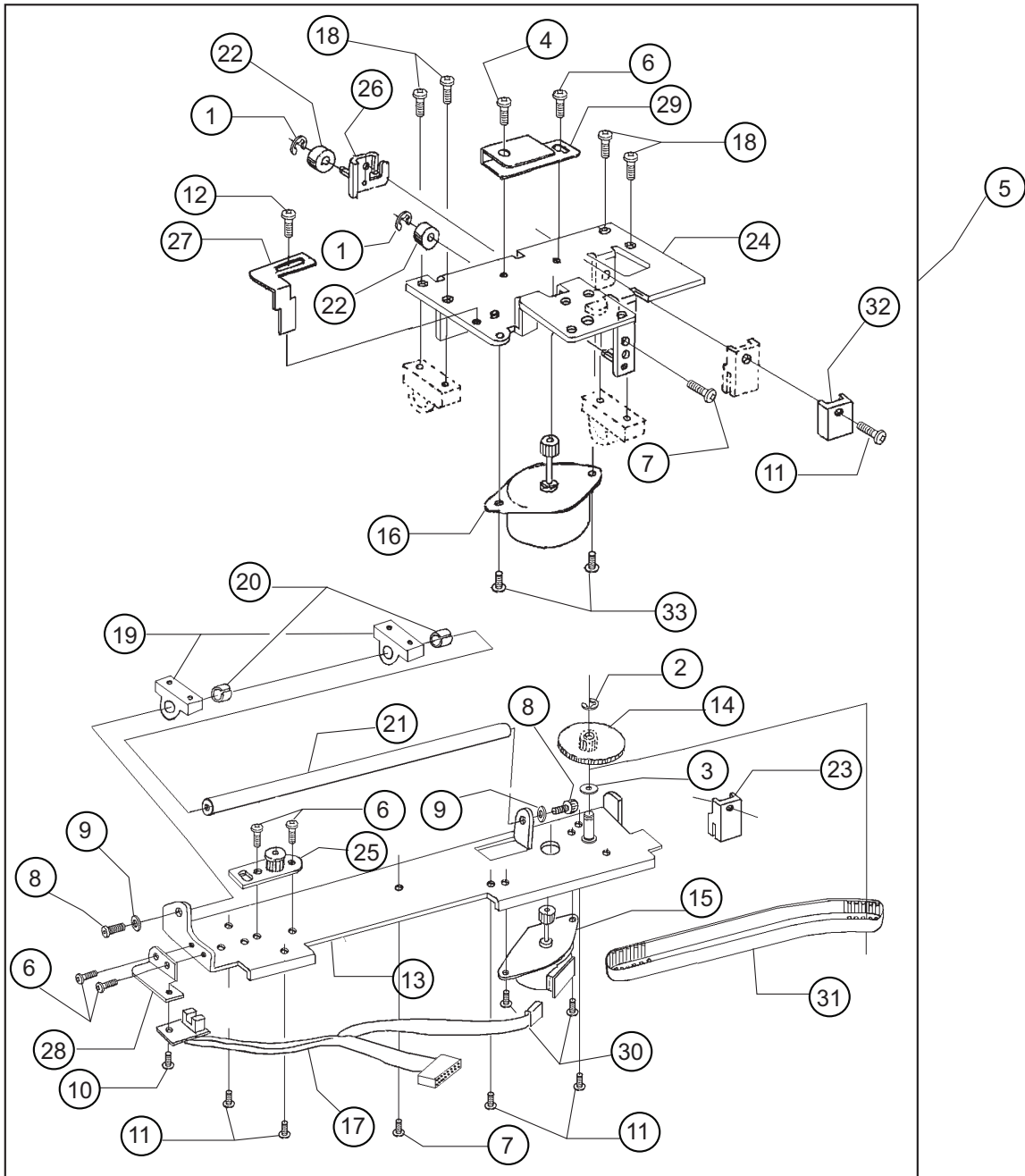
Pos	Part No	Description
1	270 025670	WASHER
2	270 039213	M3 SCREW
3	270 039816	M4 SQUARE NUT
4	270 061222	M4 PHILLIPS SCREW
5	270 064629	CORD GUIDE
6	270 065826	M3 SCREW
7	270 076511	SEAL
8	270 077044	M3 PHILLIPS SCREW
9	N/S	LED COVER
10	270 083041	CONNECTOR CAP
11	270 083044	LED PANEL
12	270 083046	PATTERN SWITCH
13	416392701	PANEL
14	416392801	CONTROL PANEL
15	270 084026	SWITCH HARNESS
16	270 084042	CIRCUIT BOARD
17	270 086042	INSULATION SHEET
18	270 086141	BUTTON (A)
19	270 086142	BUTTON (B)
20	270 086902	INDICATOR WINDOW
21	270 086907	CIRCUIT BOARD HOLDER
22	270 086945	JUMPER HARNESS
23	270 087293	SLIDE LEVER
24	270 087404	KNOB
25	270 087477	BUTTON
26	416392901	FRONT COVER



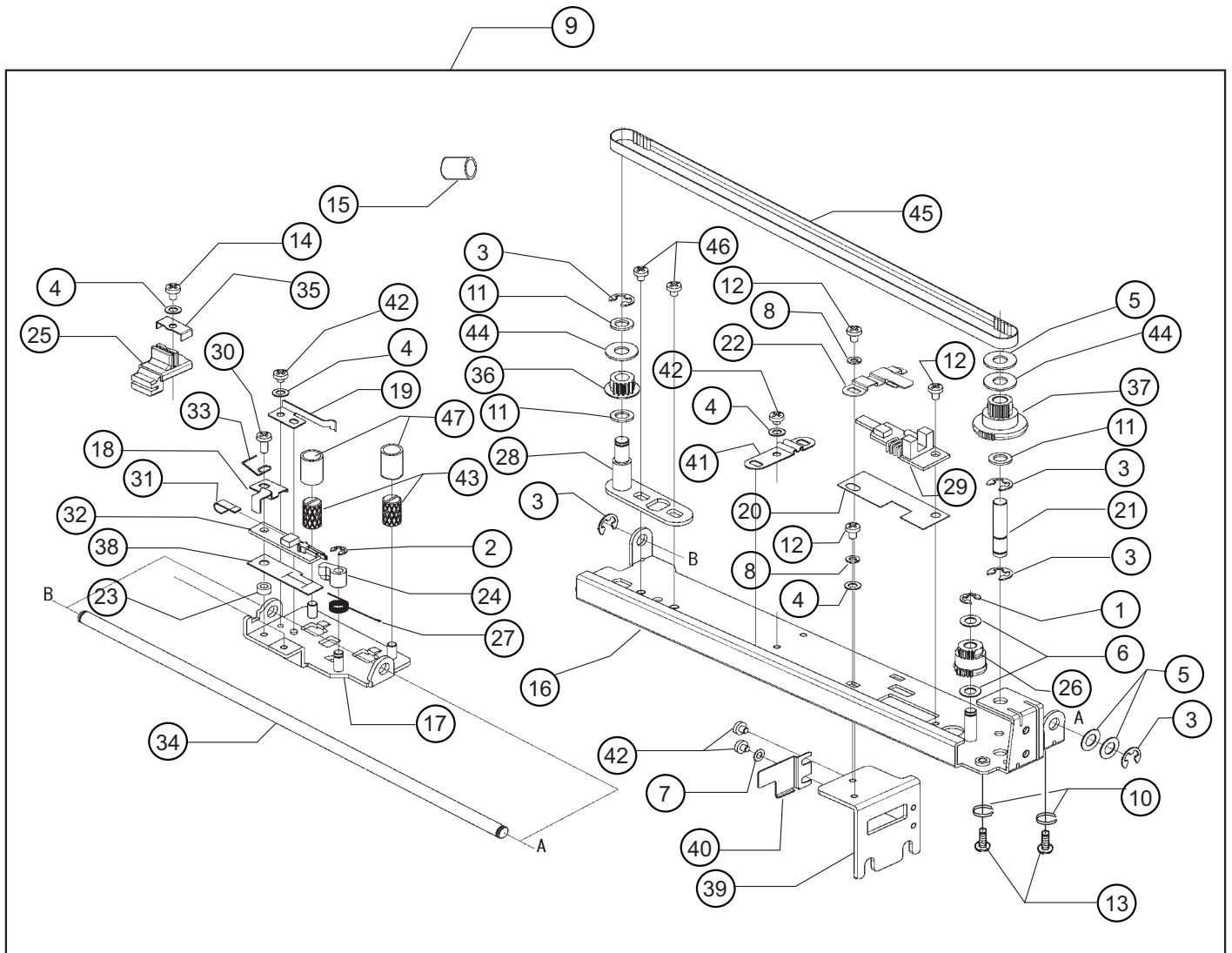
Pos	Part No	Description
1	270 039816	M4 SQUARE NUT
2	270 044498	M3 SQUARE NUT
3	270 057746	TAPPING SCREW
4	270 061224	M4 PHILLIPS SCREW
5	270 064360	TOOTHED WASHER
6	270 064484	TAPPING SCREW
7	270 065826	M3 SCREW
8	270 066352	M4 PHILLIPS SCREW
9	270 083072	SPOOL PIN HOLDER (A)
10	270 083116	CAP
11	270 083120	SPOOL PIN HOLDER (B)
12	270 083128	BACK COVER
13	270 083130	THREAD GUIDE POLE
14	270 085081	SCREW
15	270 086123	SPOOL PIN (A)
16	270 086913	SPOOL PIN (B)
17	416393001	BACK COVER



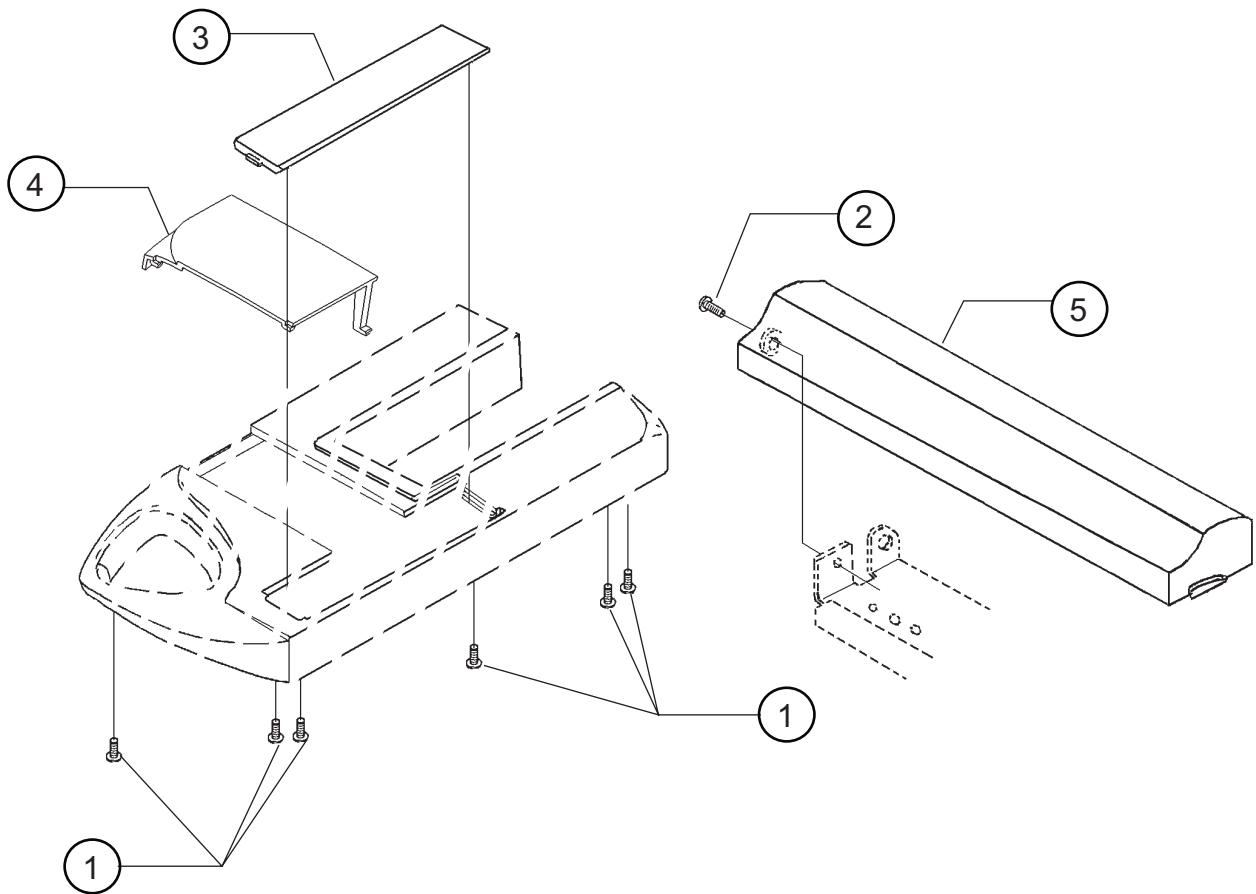
Pos	Part No	Description
1	270 008400	E5 CLIP-ON-WASHER
2	270 039213	M3 SCREW
3	270 047181	TAPPING SCREW
4	270 058220	WASHER
5	270 058741	CORD GUIDE
6	270 058981	M3 SCREW
7	270 060594	RUBBER FOOT
8	270 073926	SPACER
9	270 077042	M4 PHILLIPS SCREW
10	270 084001	CIRCUIT BOARD
11	270 084032	HARNESS
12	270 086303	CONNECTOR
13	270 086317	SUPPORTING PLATE
14	270 086329	TORSION SPRING
15	270 086346	BOARD COVER
16	270 087004	RELEASE LEVER



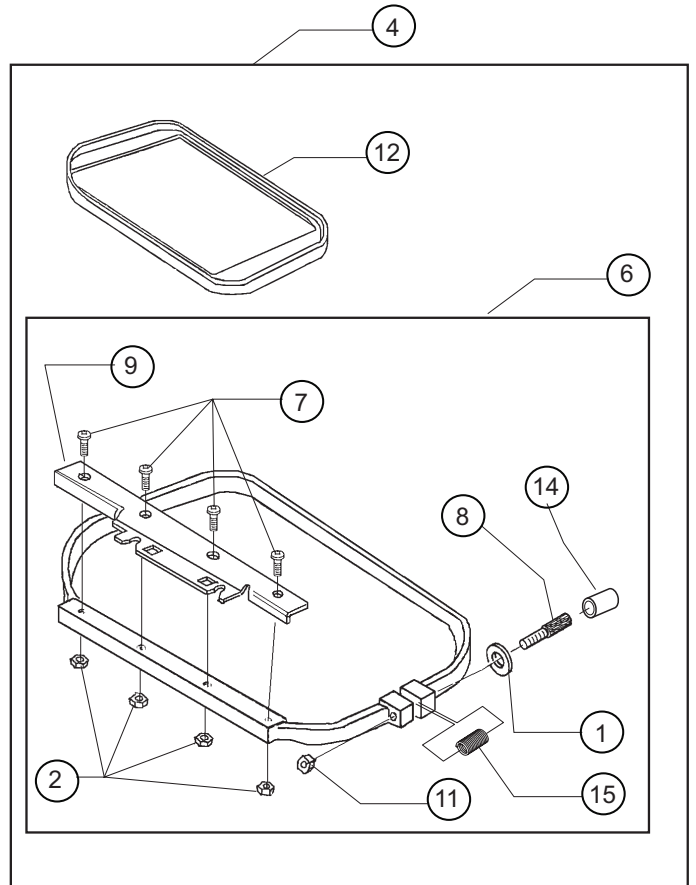
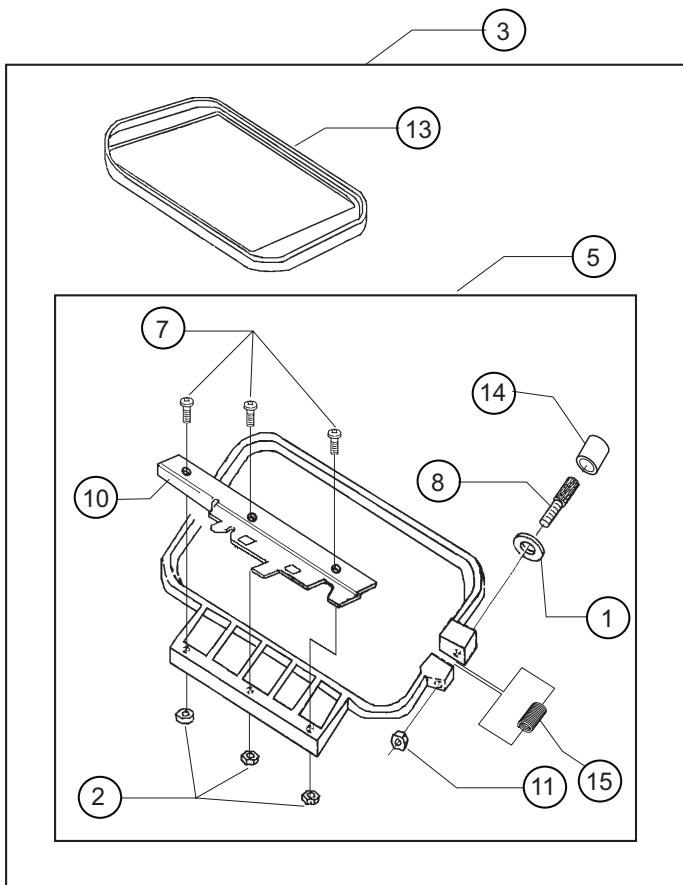
Pos	Part No	Description
1	270 001513	E4 CLIP-ON-WASHER
2	270 008400	E5 CLIP-ON-WASHER
3	N/S	WASHER
4	270 039817	M4 PHILLIPS SCREW
5	270 051092	X-UNIT ASSY
6	270 061221	M4 PHILLIPS SCREW
7	270 061222	M4 PHILLIPS SCREW
8	270 066798	M4 SCREW
9	270 072858	WASHER
10	270 076317	M3 PHILLIPS SCREW
11	270 077042	M4 PHILLIPS SCREW
12	270 080098	M3 SCREW
13	N/S	X BASE
14	N/S	T PULLEY & GEAR (X)
15	270 084008	STEP MOTOR
16	270 084009	STEP MOTOR
17	270 084034	HARNESS
18	270 085072	M3 SCREW
19	270 086320	BEARING SUPPORT
20	270 086321	COLLAR
21	270 086323	SHAFT
22	270 086349	GUIDE ROLLER
23	270 086350	BELT HOLDER
24	270 086357	X MOVING PLATE
25	270 086359	T PULLEY BASE (X)
26	270 086360	GUIDE ROLLER BASE
27	270 086362	X SENSOR PLATE
28	270 086363	SENSOR FIXING PLATE
29	270 086370	CORD GUIDE (A)
30	270 086376	M3 SCREW
31	270 086380	TIMING BELT (X)
32	270 086384	PROTECTION PLATE
33	270 087262	M3 PHILLIPS SCREW



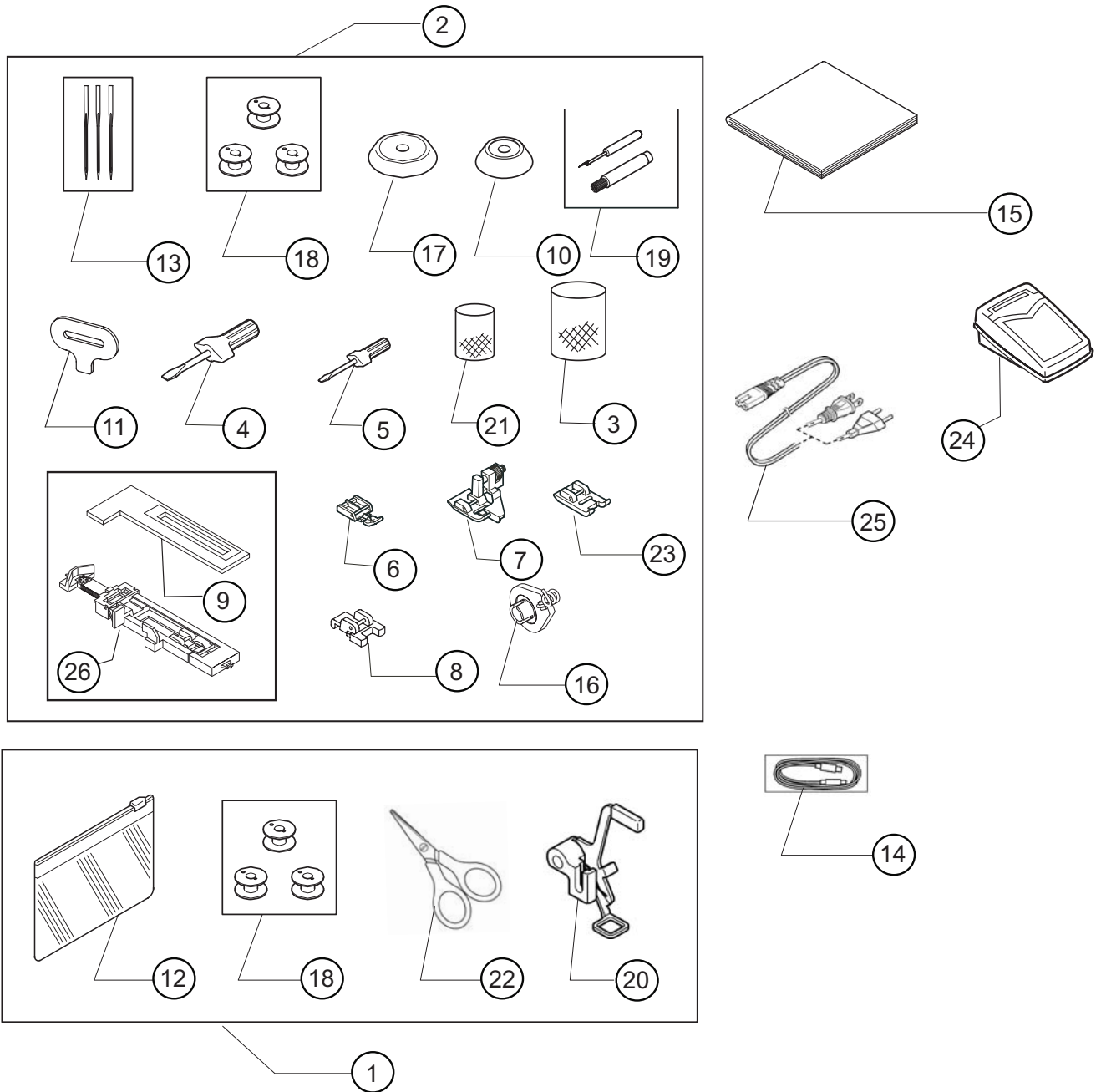
Pos	Part No	Description
1	270 001513	E4 CLIP-ON-WASHER
2	270 001520	E3 CLIP-ON-WASHER
3	270 008400	E5 CLIP-ON-WASHER
4	270 025670	WASHER
5	270 032316	WASHER
6	270 032949	WASHER
7	270 037515	WASHER
8	270 044267	SPRING WASHER
9	270 051093	Y-UNIT ASSY
10	270 053740	SPRING WASHER
11	270 061592	WASHER
12	270 066318	M3 SCREW
13	270 066798	M4 SCREW
14	270 076317	M3 PHILIPS SCREW
15	N/S	TUBE
16	N/S	Y BASE
17	270 083005	Y MOVING PLATE
18	N/S	Y SENSOR PLATE
19	N/S	LEAF SPRING
20	N/S	INSULATION SHEET
21	N/S	φ6 SHAFT
22	N/S	CORD GUIDE (D)
23	N/S	SPACER
24	N/S	HOOP SWITCH
25	N/S	BELT HOLDER (Y)
26	N/S	GEAR (Y)
27	N/S	SPRING
28	N/S	T PULLEY BASE (Y)
29	270 084011	HARNESS
30	270 085263	M3 SCREW
31	270 086308	FLAT CABLE
32	270 086312	HOOP SWITCH UNIT
33	270 086316	CABLE GUIDE
34	270 086324	SHAFT
35	270 086335	PROTECTION PLATE (Y)
36	270 086347	T PULLEY
37	270 086353	T PULLEY & GEAR (Y)
38	270 086366	INSULATION SHEET
39	270 086368	Y BASE SUPPORT PLATE
40	270 086371	CORD GUIDE (B)
41	270 086372	CORD GUIDE (C)
42	270 086376	M3 SCREW
43	270 086377	HOOP SECURING SCREW
44	270 086379	WASHER
45	270 086381	TIMING BELT (Y)
46	270 087000	M4 SCREW
47	270 087002	VINYL TUBE



Pos	Part No	Description
1	270 044261	M4 SCREW
2	270 061221	M4 PHILLIPS SCREW
3	270 083011	COVER
4	270 083024	TOP COVER
5	416393101	CARRIAGE



Pos	Part No	Description
1	270 031246	WASHER
2	270 031733	M3 NUT
3	270 051009	SMALL HOOP
4	270 051010	LARGE HOOP
5	270 051028	OUTER FRAME (S) SET
6	270 051029	OUTER FRAME (L) SET
7	270 085072	M3 SCREW
8	270 086328	HOOP ADJUSTING SCREW
9	270 086367	HOOP MOUNTING PLATE
10	270 086369	HOOP MOUNTING PLATE
11	270 086378	M3 NUT
12	270 086582	INNER FRAME (L)
13	270 086584	INNER FRAME (S)
14	270 087001	VINYL TUBE
15	270 087014	SPRING



Pos	Part No	Description
1	270 051012	ACCESSORY SET
2	N/S	ACCESSORY SET
3	270 063523	THREAD SPOOL NET (LONG)
4	270 065811	LARGE SCREW DRIVER
5	270 074793	SMALL SCREW DRIVER
6	270 076252	ZIPPER FOOT
7	270 076255	BLIND STITCH FOOT
8	270 076257	BUTTON SEWING FOOT
9	270 076630	BUTTONHOLE PLATE
10	270 079070	SPOOL PIN CAP
11	270 079455	LARGE SCREW DRIVER
12	270 080120	ACCESSORY VINYL BAG
13	413150701	NEEDLE
14	412625904	USB CABLE
15	413249496	INSTRUCTION BOOK (ENG)
16	270 083099	REMOVABLE THREAD GUIDE
17	270 085124	SPOOL PIN CAP
18	270 085128	BOBBIN
19	270 085365	BUTTONHOLE OPENER / BRUSH
20	270 086625	EMBROIDERY PRESSER FOOT
21	270 086933	THREAD SPOOL NET (SHORT)
22	270 087003	SCISSORS
23	270 087275	SATIN FOOT
24	270 087532	FOOT CONTROL
25	270 087534	POWER CORD (120V)
26	270 087696	BUTTONHOLE FOOT