

PARTS  
LIST

**NECCHI**

**HP04**

N300H3P01  
Apr. 26, 2021

**PLEASE NOTE:**

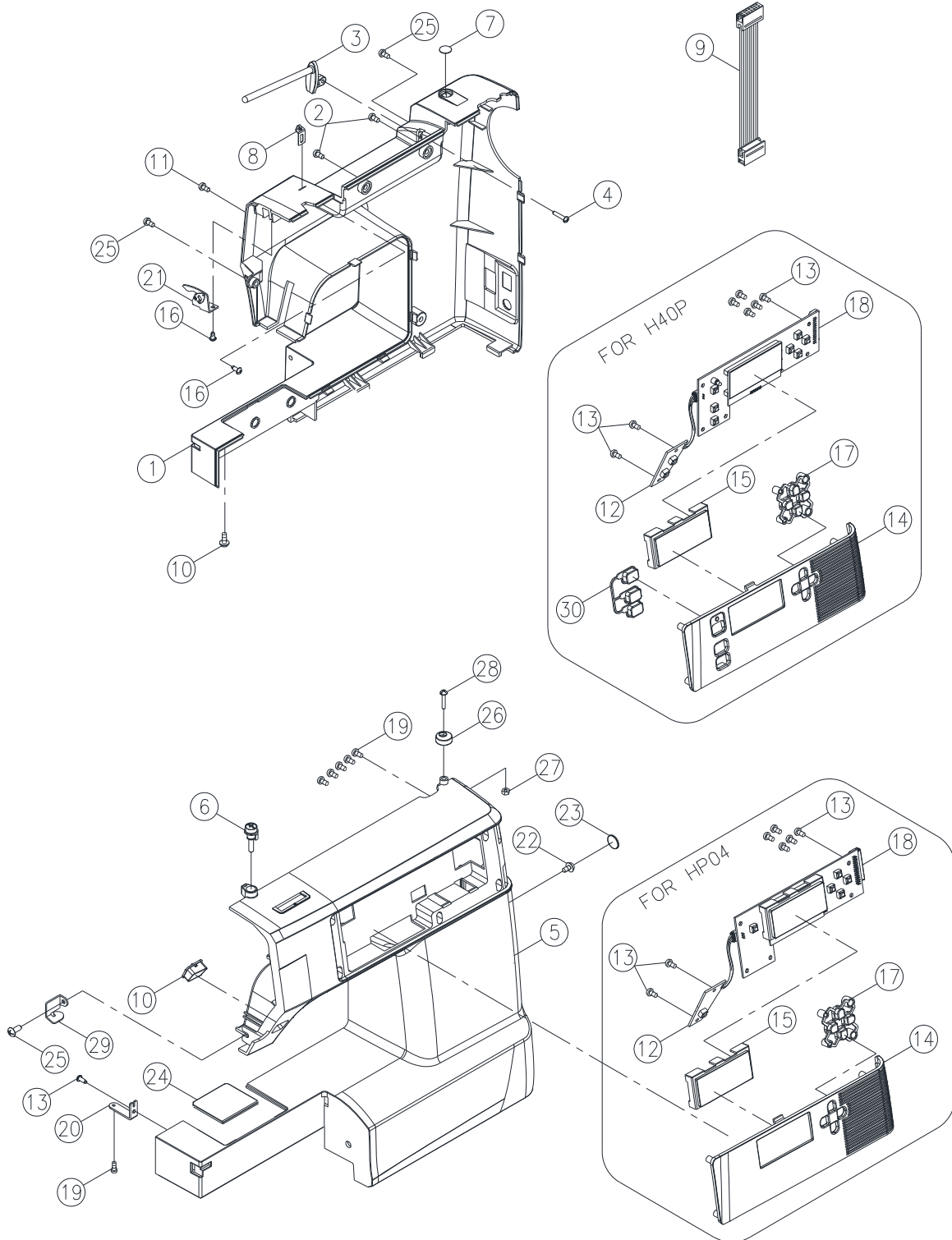
The parts mentioned without number in the parts list are not available.

Take care the parts for the model and the voltage application & spec. you need.

~ LIST OF CONTENTS ~

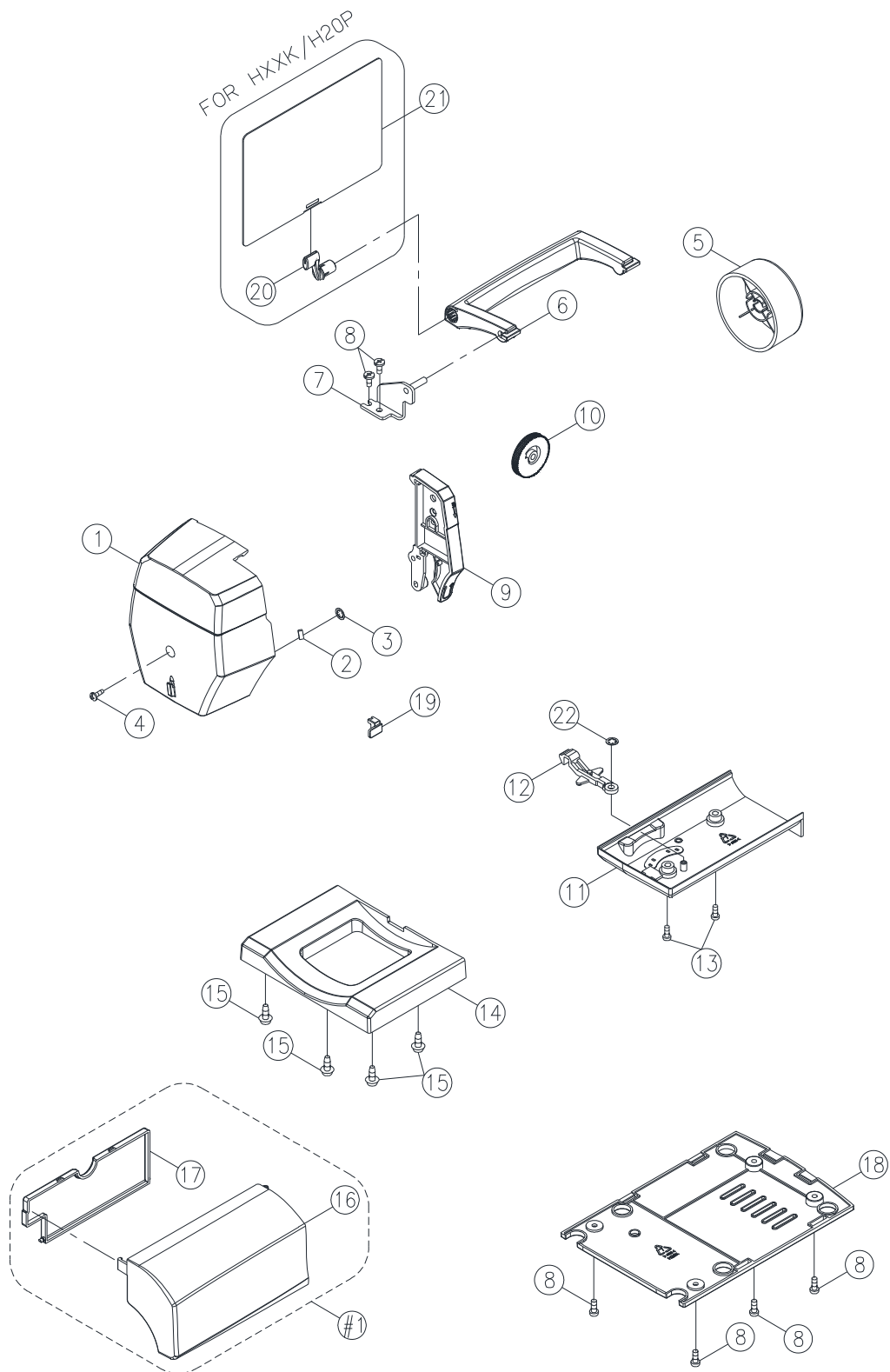
- A. PRINCIPAL COVER COMPONENTS 1
- B. PRINCIPAL COVER COMPONENTS 2
- C. UPPER SHAFT COMPONENTS
- D. NEEDLE BAR & PRESSER MECHANISM
- E. BH MECHANISM & NEEDLE PLATE COMPONENTS
- F. BOBBIN WINDER & THREAD TENSION MECHANISM
- G. ZIGZAG & FEED STEPPER MOTOR COMPONENTS
- H. FEED MECHANISM
- I. HOOK & LOWER SHAFT COMPONENTS
- J. MOTOR, POWER SUPPLY & ELECTRONIC PARTS
- K. ACCESSORIES (STANDARD)

# A. PRINCIPAL COVER COMPONENTS 1





# B. PRINCIPAL COVER COMPONENTS 2

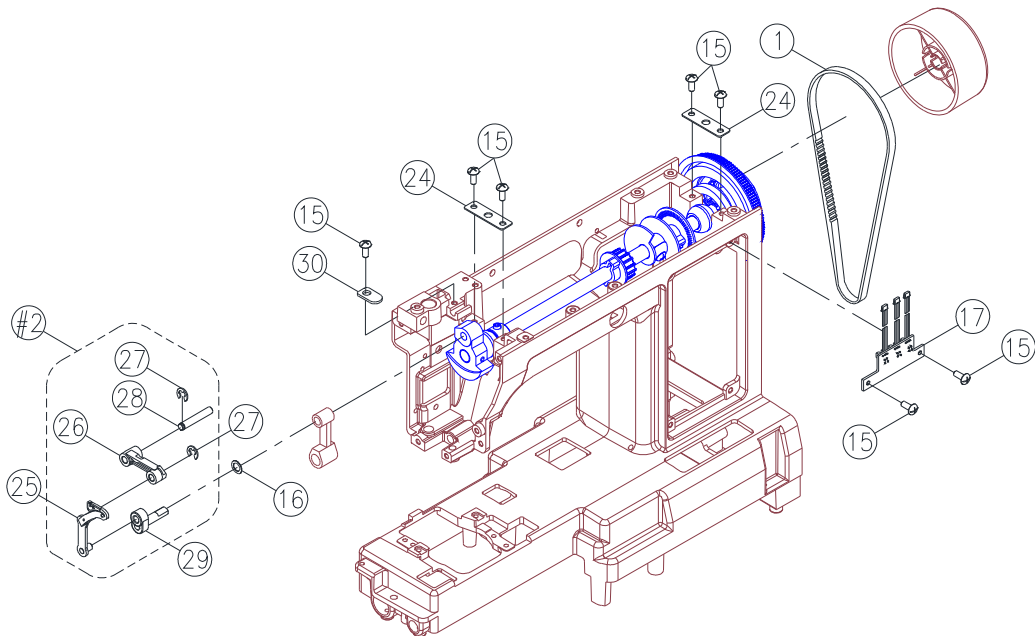
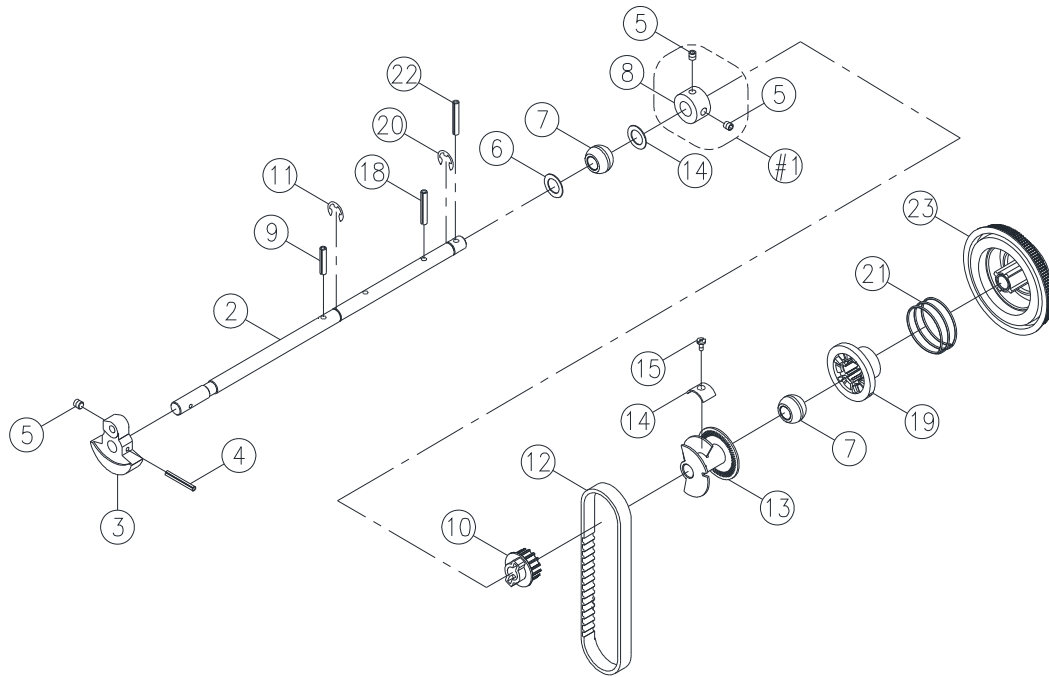


**B. PRINCIPAL COVER COMPONENTS 2**

P  
r  
e  
f  
i  
s  
s  
o  
"  
Z  
S  
"

NO.	PART NO.	DESCRIPTION	REMARK
1	H4PF013210	FACE COVER	
2	V630593000	THREAD CUTTER	
3	003020053	CS-RING (CSTW-5)	
4	004241056	SET SCREW (M4x12 A)	
5	H3KZ173837	HAND WHEEL	
6	H3KZ053210	HANDLE	
7	V62033006	ARM TOP COVER PLATE CPL.	
8	004240106	SET SCREW (M4x8 A)	
9	H3KZ043837	DIAL TENSION SUPPORTER PLATE COVER	
10	H1KD013210	DIAL TENSION KNOB	
11	H1KA013210	FREE ARM BASE	
12	P3C0483210	TOOTH LEVER ARM	
13	004240136	SET SCREW (M4x12 B)	
14	H3KZ083210	FREE ARM FOOT BUSH	
15	004230216	SET SCREW (M3x8.5)	
16	H3KZ063210	SEWING TABLE BODY	
17	H3KZ073210	SEWING TABLE BODY COVER	
18	H3KZ093210	CORD REEL COVER	
19	H1KA023210	BH LEVER BUTTON	
20			
21			
22	003020453	CS-RING (CSTW-4.5)	
#1	H3KZ064210	SEWING TABLE BODY CPL.	

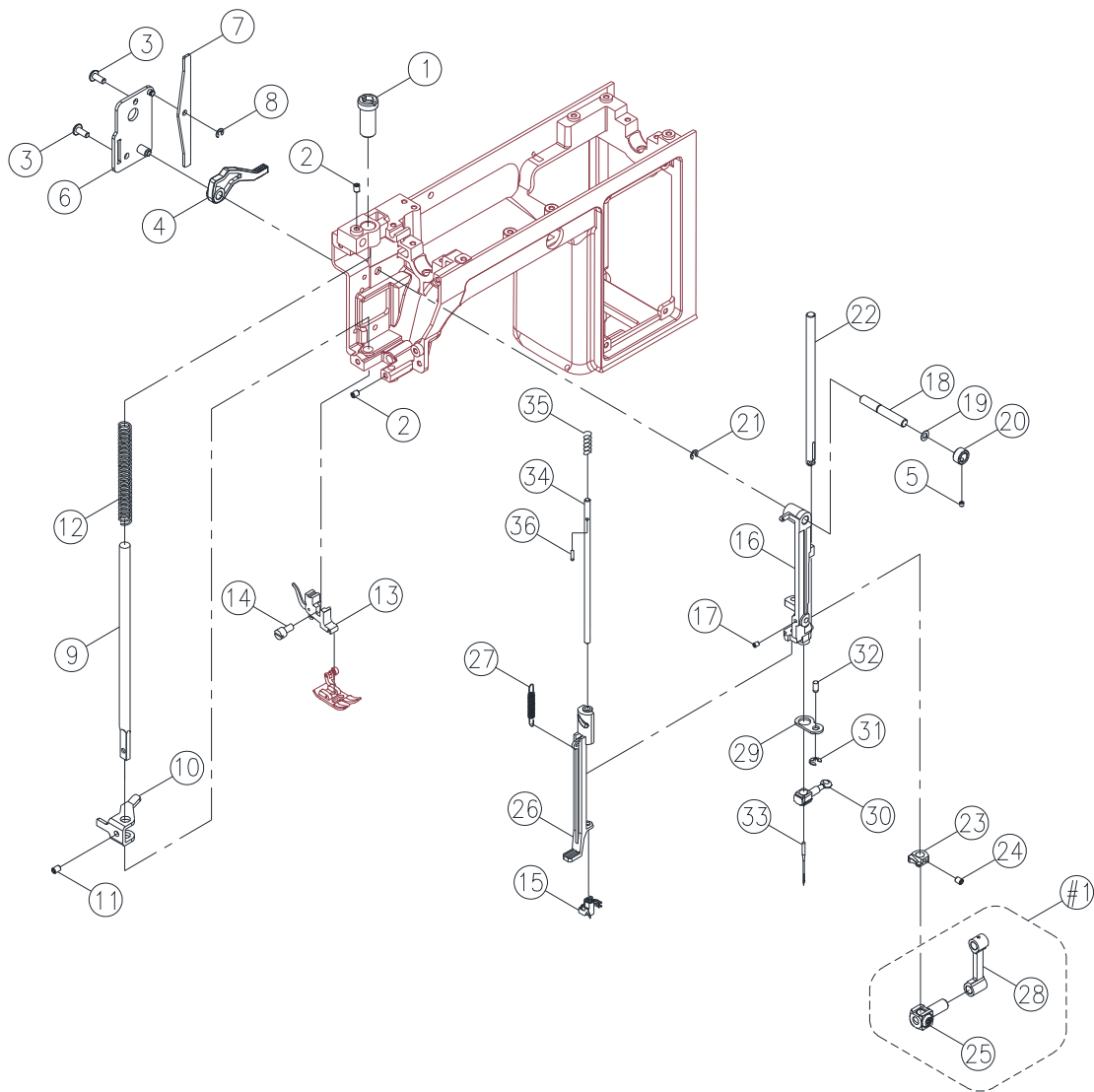
# C. UPPER SHAFT COMPONENTS







# D. NEEDLE BAR & PRESSER MECHANISM

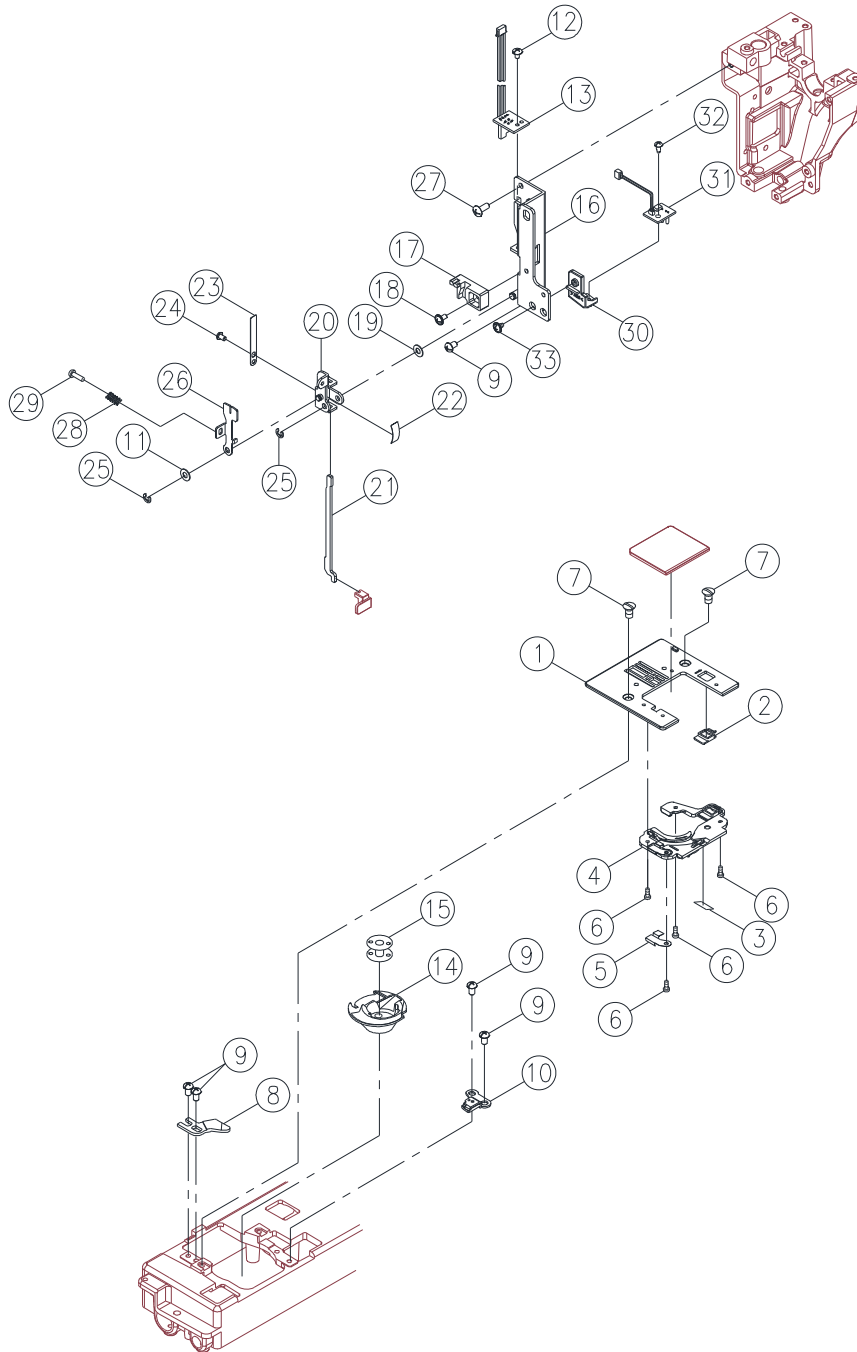


**D. NEEDLE BAR & PRESSER MECHANISM**

NO.	PART NO.	DESCRIPTION	REMARK
1	Q6G0273000	PRESSER BAR REGULATING SCREW CPL.	
2	004240033	SET SCREW (M4x5 C)	
3	004240106	SET SCREW (M4x8 A)	
4	H1A0073000	PRESSER BAR LIFTER LEVER	
5	004230433	SET SCREW (M3x3 C)	
6	H1A0053003	CLAMP PLATE	
7	H1A0063003	TENSION LEVER LIFTER	
8	003010036	E-RING (ETW-3)	
9	V70153002	PRESSER BAR	
10	H1A0093003	PRESSER BAR BRACKET	
11	004240223	SET SCREW (M4x6 C)	
12	H1F0063003	PRESSER BAR SPRING	
13	006187008	SHANK CPL.	
14	004106221	SET SCREW (9/64x40x7)	
15	Q6G0225000	AUTO THREADER	
16	H7A0383000	NEEDLE BAR SUPPORTER	
17	004230203	SET SCREW (M3x4 C)	
18	H7A0393000	NEEDLE BAR SUPPORTER PIN	
19	004300186	WASHER (6.2x12x0.5)	
20	V880743003	COLLAR	
21	003010053	E-RING (ETW-5)	
22	V70273000	NEEDLE BAR	
23	K7P0143000	THREADING STOPPER	
24	004230483	SET SCREW (M3x4 C)	
25	H10195000	NEEDLE BAR BRACKET CPL.	
26			
	K7P0063000	AUTO THREAD LEVER	
27	Q6G0313000	THREADER SHAFT SPRING	
28	F4A3343000	NEEDLE BAR CRANK ROD	
29	H7A0773003	NEEDLE BAR SWING RING	
30	TA11034000	NEEDLE CLAMP CPL.	
31	003010043	E-RING (ETW-4)	
32	CAA1823000	NEEDLE BAR SUPPORTER PLATE PIN	
33	006046148	NEEDLE	
34			
	K7P0053000	THREADING SHAFT	
35	Q6G0303003	AUTO THREADER SHAFT SPRING	
36	003042014	SPRING PIN (2x14)	
#1	F4A3335000	NEEDLE BAR CRANK ROD CPL.	

P r e f i s s o " N S "

# E. BH MECHANISM & NEEDLE PLATE COMPONENTS

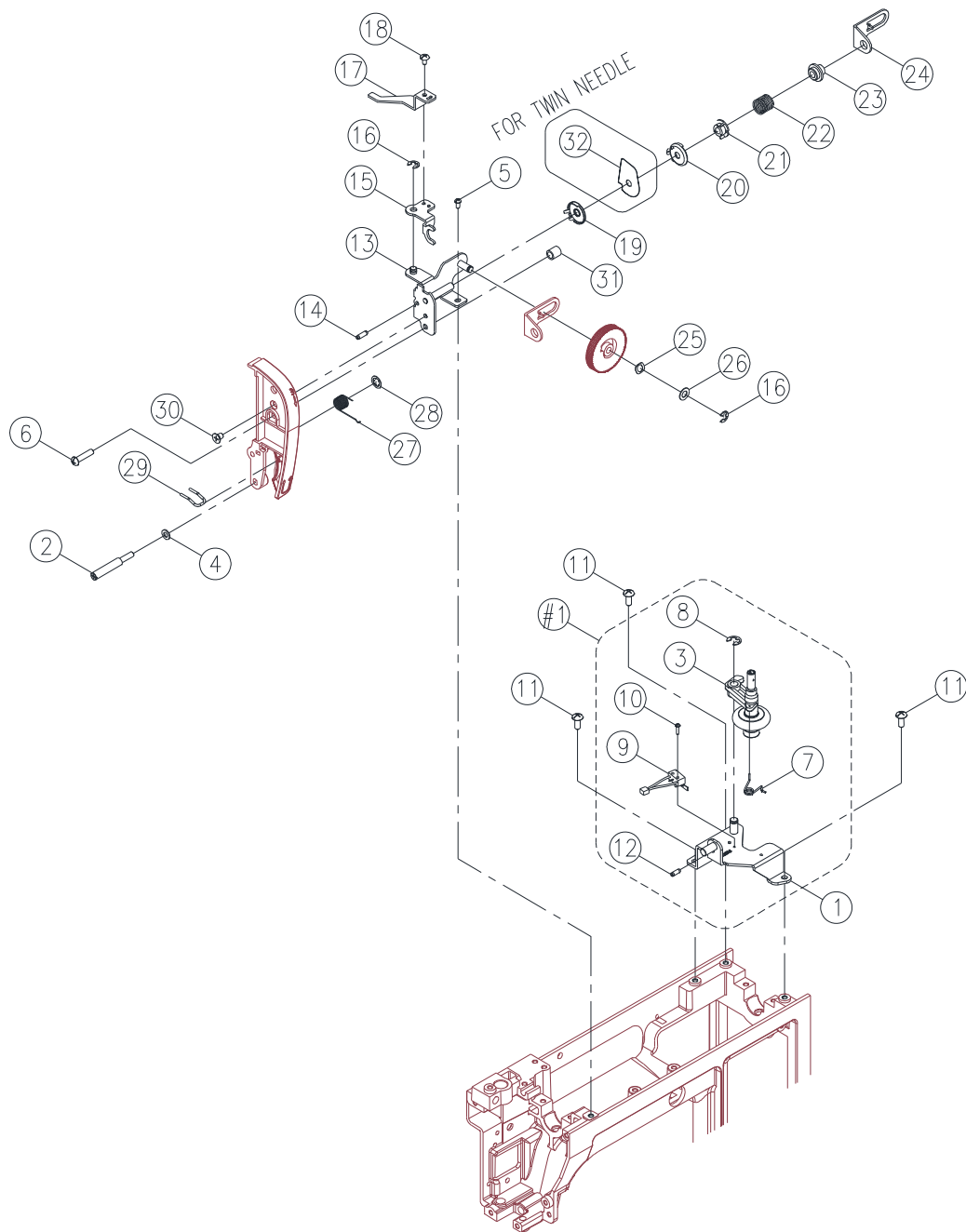


**E. BH MECHANISM & NEEDLE PLATE COMPONENTS**

P  
r  
e  
f  
i  
s  
s  
o  
"N  
Z  
S"  
"

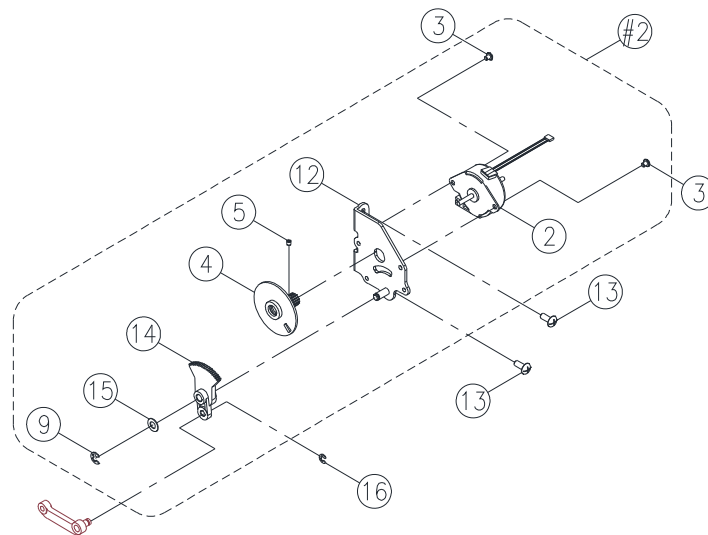
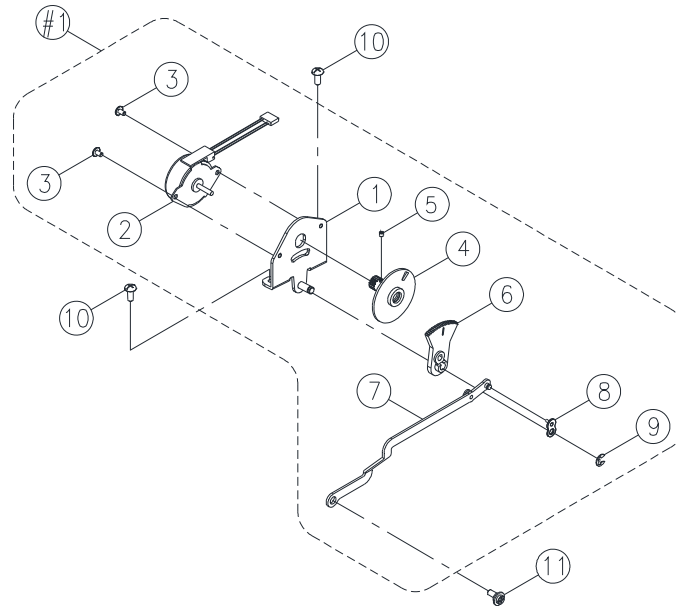
NO.	PART NO.	DESCRIPTION	REMARK
1	H2A0033004	NEEDLE PLATE	
2	NB0233000	NEEDLE PLATE COVER OPEN	
3	V630593000	THREAD CUTTER	
4	H2AA013000	NEEDLE PLATE SUPPORTER	
5	E1A2603000	NEEDLE PLATE SPRING	
6	0042200016	SET SCREW (M2x3)	
7	004240851	SET SCREW (M4x6)	
8	E1A0593002	ROTARY HOOK PLATE	
9	004240056	SET SCREW (M4x6 B)	
10	CFA0794000	ROTARY HOOK PLATE (2) CPL.	
11	004300096	WASHER (4x8x0.5)	
12	004230702	SET SCREW (M3x5 A)	
13	008H1C0007	PHOTO SENSOR PLATE	
14	H3J0064000	SHUTTLE HOOK CPL.	
15	006084009	BOBBIN	
16	H7C0165000	BH LEVER PLATE	
17	P3C0203210	BH MOVEMENT CRANK	
18	004230016	SET SCREW (M3x6 A)	
19	004300076	WASHER (5.2x10x0.2)	
20	H7A0425000	BH LEVER CRANK	
21	P3C0183002	BH LEVER	
22	E1A1483003	BH SPRING PLATE	
23	CFA1053000	BH LEVER CRANK SPRING	
24	004230056	SET SCREW (M3x5 B)	
25	003010036	E-RING (ETW-3)	
26	H7A0413003	PHOTO PLATE	
27	004240106	SET SCREW (M4x8 A)	
28	D3B1293003	SRPING	
29	004230596	SET SCREW (M3x16)	
30	H1E0203000	LED HOLDER	
31	008H1B0006	LED LIGHT LAMP CPL.	
32	004230082	SET SCREW (M3x6 B)	
33	004231016	SET SCREW (M3x5)	

# F. BOBBIN WINDER & THREAD TENSION MECHANISM





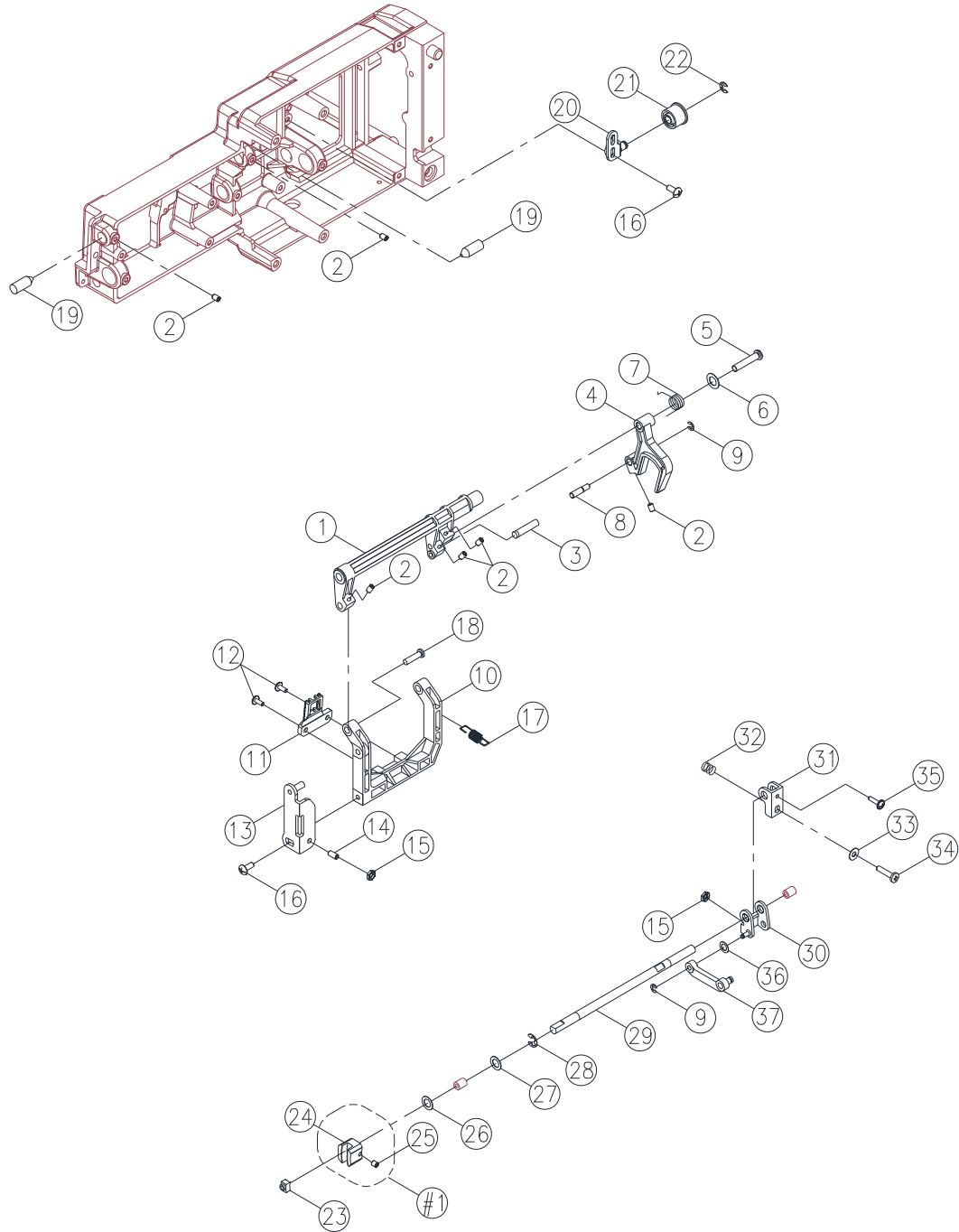
# G. ZIGZAG & FEED STEPPER MOTOR COMPONENTS







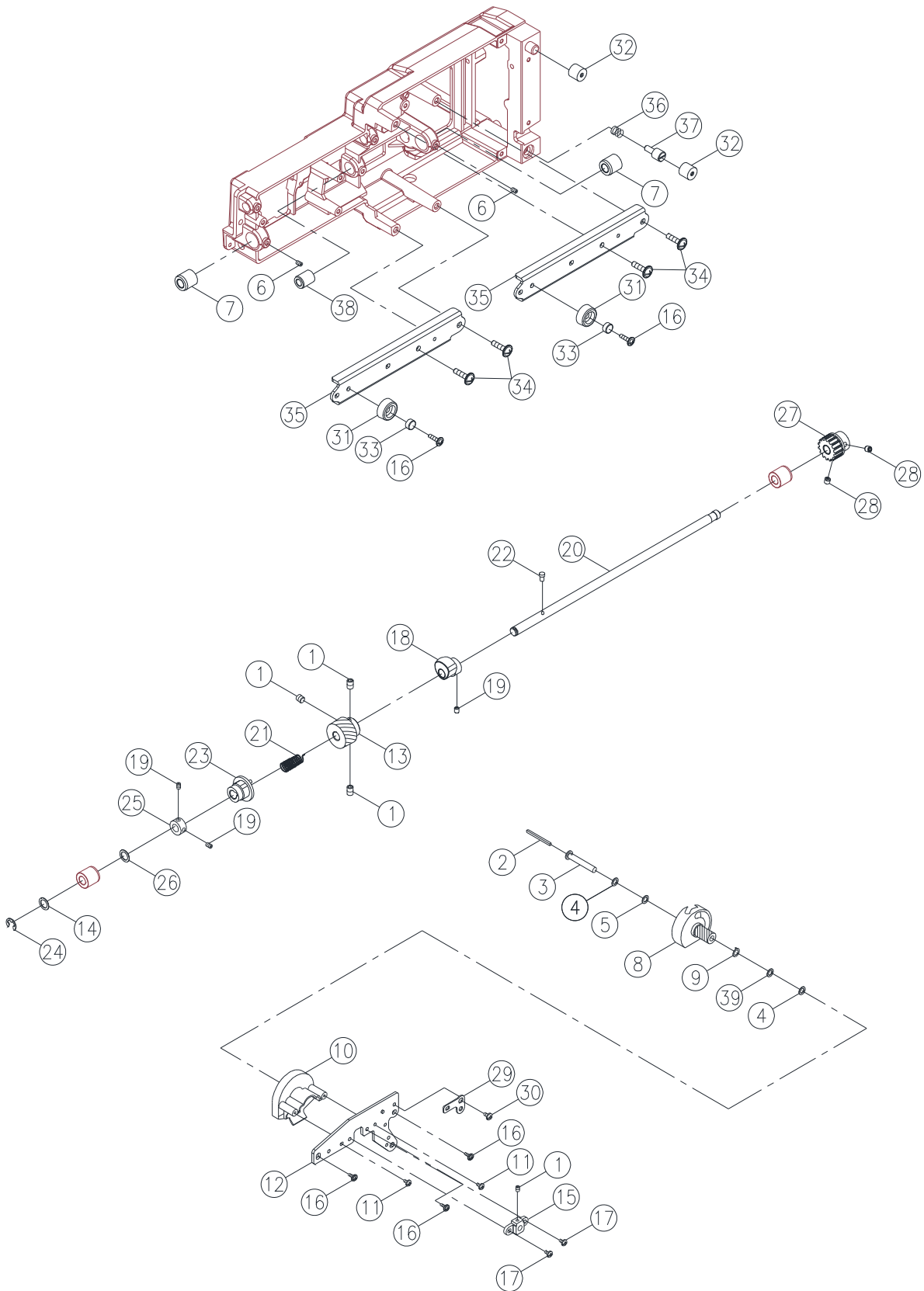
# H. FEED MECHANISM



## H. FEED MECHANISM

NO.	PART NO.	DESCRIPTION	REMARK
1	P3A0513000	FEED ROCK SHAFT	
2	004240223	SET SCREW (M4x6 C)	
3	E1A0403000	FEED ROCK FRAME SHAFT (2)	
4	P3A0573000	FEED ROCK CRANK	
5	P3A0583003	FEED ROCK SHAFT	
6	004300733	WASHER (5.2x12x1)	
7	P3A0933003	FEED ROCK CRANK SPRING	
8	P3A0593000	REGULATING BLOCK SHAFT	
9	003010036	E-RING (ETW-3)	
10	P3A0523000	FEED DOG SUPPORTER	
11	H1A1703001	FEED DOG	
12	004235016	SET SCREW (M3.5x0.6 L8)	
13	P3A0553002	FEED LIFTING ROCK CRANK	
14	004241093	SET SCREW (M4x0.7 L9)	
15	0048400070	ADJUSTING NUT (M4x0.7)	
16	004240106	SET SCREW (M4x8 A)	
17	H1G0443003	FEED DOG SPRING	
18	P3A0533003	FEED DOG SHAFT	
19	P3A0613000	FEED CRANK SHAFT	
20	H1A0433003	BELT ADJUSTING PLATE	
21	H1A0453000	BELT ADJUSTING PLATE PULLEY	
22	003010043	E-RING (ETW-4)	
23	F31403000	FEED REGULATING BLOCK	
24	F31393000	FEED REGULATING	
25	004240503	SET SCREW (M4x4 C)	
26	004400570	ENDURE ATTRITION WASHER (6.7x11.8x0.5)	
27	004300123	WASHER (6.7x12x1)	
28	003011052	E-RING (ETW-5)	
29	H1A0203000	FEED REGULATING SHAFT	
30	D3A0273003	FEED REGULATING CRANK	
31	CAA1733000	FEED CRANK	
32	D1E0783003	SPRING	
33	004300986	WASHER (4.2x10x0.5)	
34	004241202	SET SCREW	
35	004230776	SET SCREW (M3x12)	
36	004300136	WASHER (4.2x8x0.8)	
37	D3A0943000	FEED ROCK ROD	
#1	D3A1674000	FEED REGULATING CPL.	

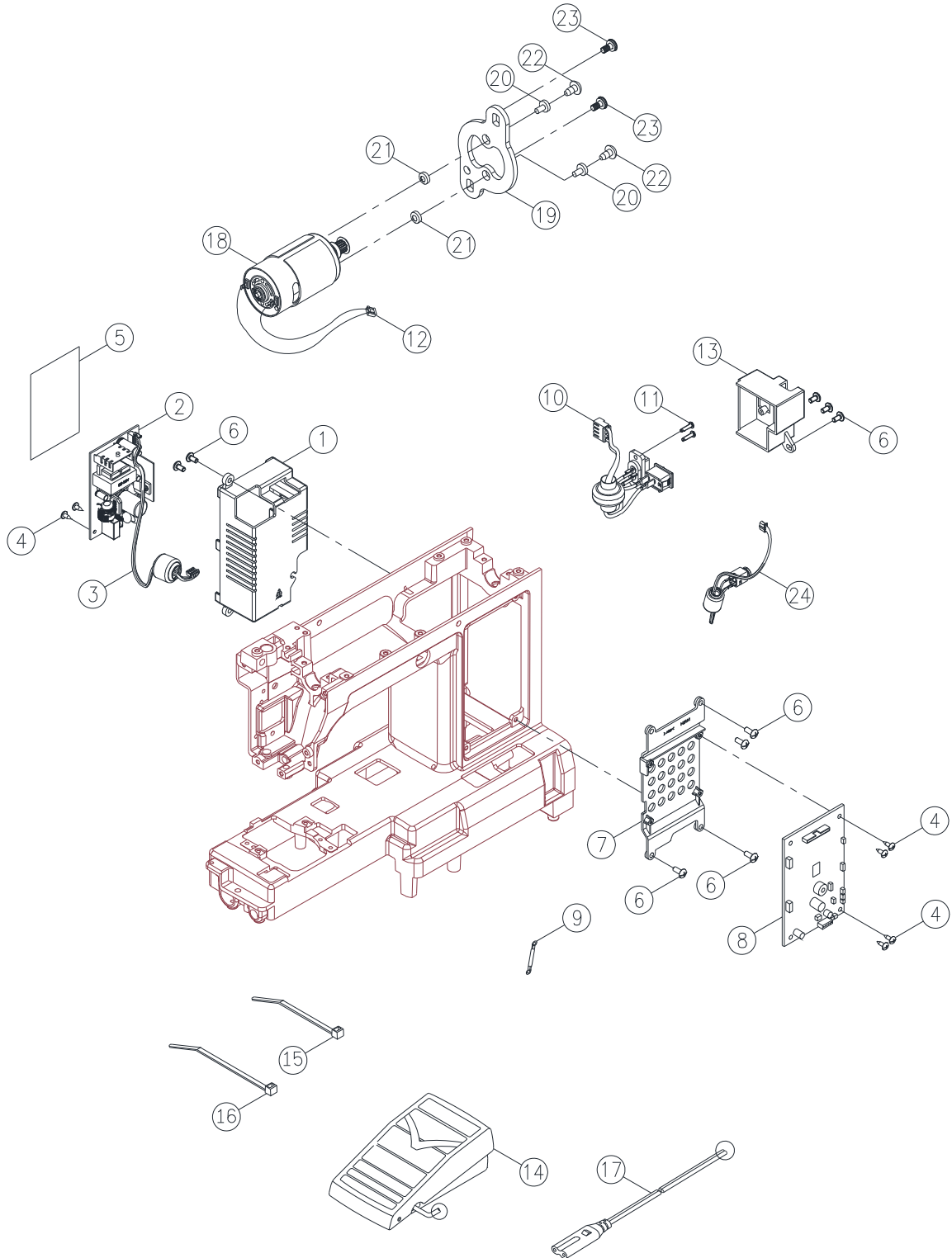
# I. HOOK & LOWER SHAFT COMPONENTS



# I. HOOK & LOWER SHAFT COMPONENTS

NO.	PART NO.	DESCRIPTION	REMARK
1	004240033	SET SCREW (M4x5 C)	
2	NB0693000	OIL CLOTH	
3	E1A2033000	BOBBIN SHAFT	
4	NB0673000	BOBBIN SHAFT WASHER (2)	
5	004400840	ENDURE ATTRITION WASHER (6.2x9.6x0.5)	
6	004240223	SET SCREW (M4x6 C)	
7	E1A0283000	LOWER SHAFT BUSHING	
8	Q6A0913000	SHUTTLE HOOK HOLDER	
9	NB0683000	BOBBIN SHAFT WASHER (3)	
10	E1A0563582	SHUTTLE HOOK COVER	
11	004230066	SET SCREW (M3x12)	
12	H1A0383006	ROTARY HOOK HOLDER	
13	P3A1853000	LOWER SHAFT GEAR	
14	004300936	WASHER (8.2x12x0.5)	
15	E1A0543000	ROTARY HOOK SUPPORTER	
16	004240586	SET SCREW (M4x8)	
17	004240106	SET SCREW (M4x8 A)	
18	H1A1503000	FEED ROCK CAM	
19	004240503	SET SCREW (M4x4 C)	
20	H1A0133000	LOWER SHAFT	
21	P3A0443003	LOWER SHAFT SPRING	
22	P3A0433003	FEED LIFTING ROCK COM PIN	
23	P3A0423000	FEED LIFTING ROCK CAM	
24	003010063	E-RING (ETW-6)	
25	V11553003	LOWER SHAFT COLLAR	
26	004400830	ENDURE ATTRITION WASHER (8.2x12x0.5)	
27	H1A0463000	LOWER SHAFT BELT PULLEY	
28	004250203	SET SCREW (M5x5 C)	
29	P3A0493003	ROTARY HOOK HOLDER POSITIONED PLATE	
30	004240056	SET SCREW (M4x6 B)	
31	F31453000	FREE ARM BASE CUSHION RUBBER	
32	K6A0063002	FREE ARM BASE CUSHION RUBBER	
33	H1A0583003	SPACER	
34	004250426	SET SCREW (M5x10)	
35	H1A0413006	FREE ARM BASE CUSHION	
36	E1A2573006	BASE PLATE ADJUSTMENT SCREW SPRING	
37	K82133006	BASE PLATE ADJUSTMENT SCREW	
38	R11443000	FEED ROCK BUSHING	
39	0044000200	ENDURE ATTRITION WASHER (6.2x9.6x0.25)	

# J. MOTOR, POWER SUPPLY & ELECTRONIC PARTS





# K. ACCESSORIES (STANDARD)

