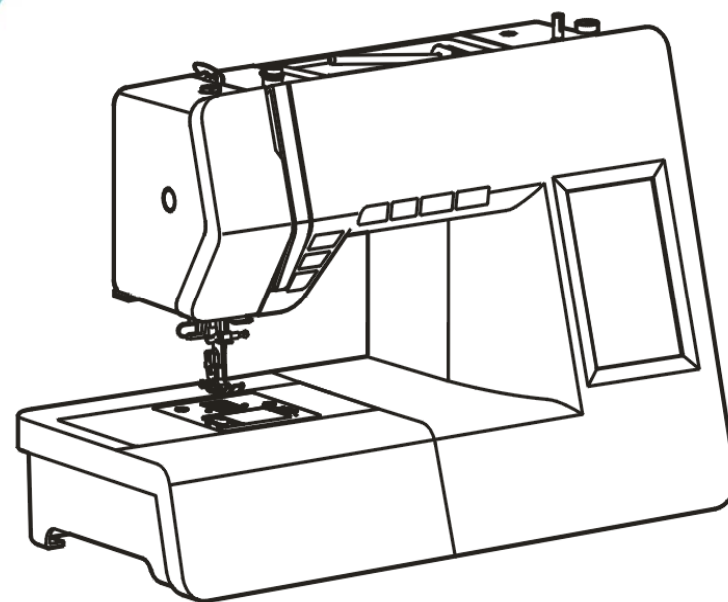


Parts List

ALFA



MODEL Smart Plus/Smart

~ LIST OF CONTENTS ~

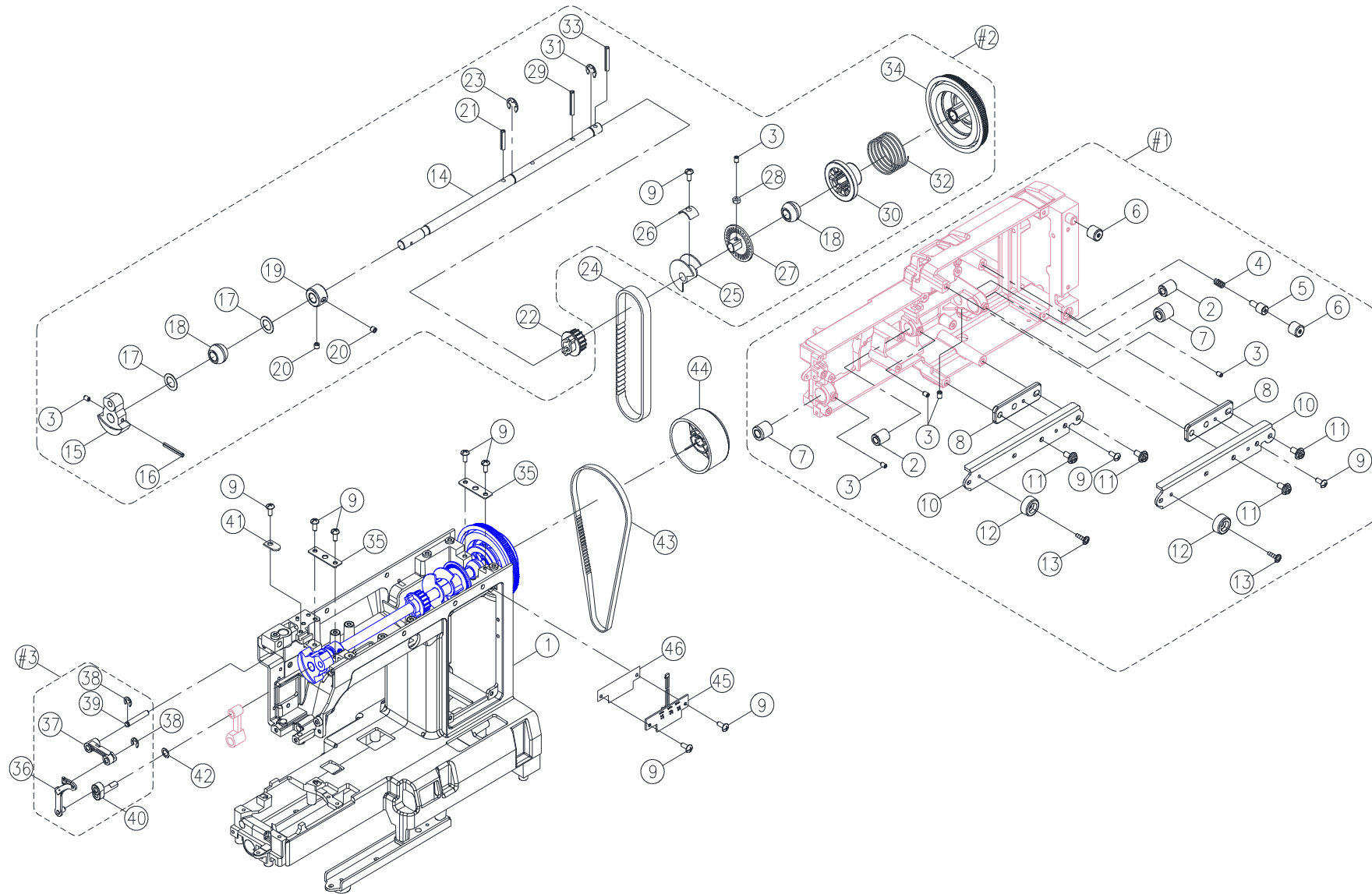
- A. ARM, THREAD TAKE UP LEVER
- B. NEEDLE BAR SUPPORTER, ZIGZAG PULSE MOTOR PLATE
- C. AUTO CUTTER, NEEDLE PLATE
- D. DIAL TENSION, BH LEVER PLATE
- E. FEED ROCK SHAFT, FEED REGULATING, PULSE SUPPORT PLATE
- F. ROTARY HOOK HOLDER, LOWER SHAFT
- G. BOBBIN WINDER PLATE, HF TRANSFORMER COMPLETE
- H. FRONT COVER, BACK COVER
- I. FREE ARM BASE, FACE PLATE , SEWING TABLE BODY
- J. ACCESSORIES

PLEASE NOTE:

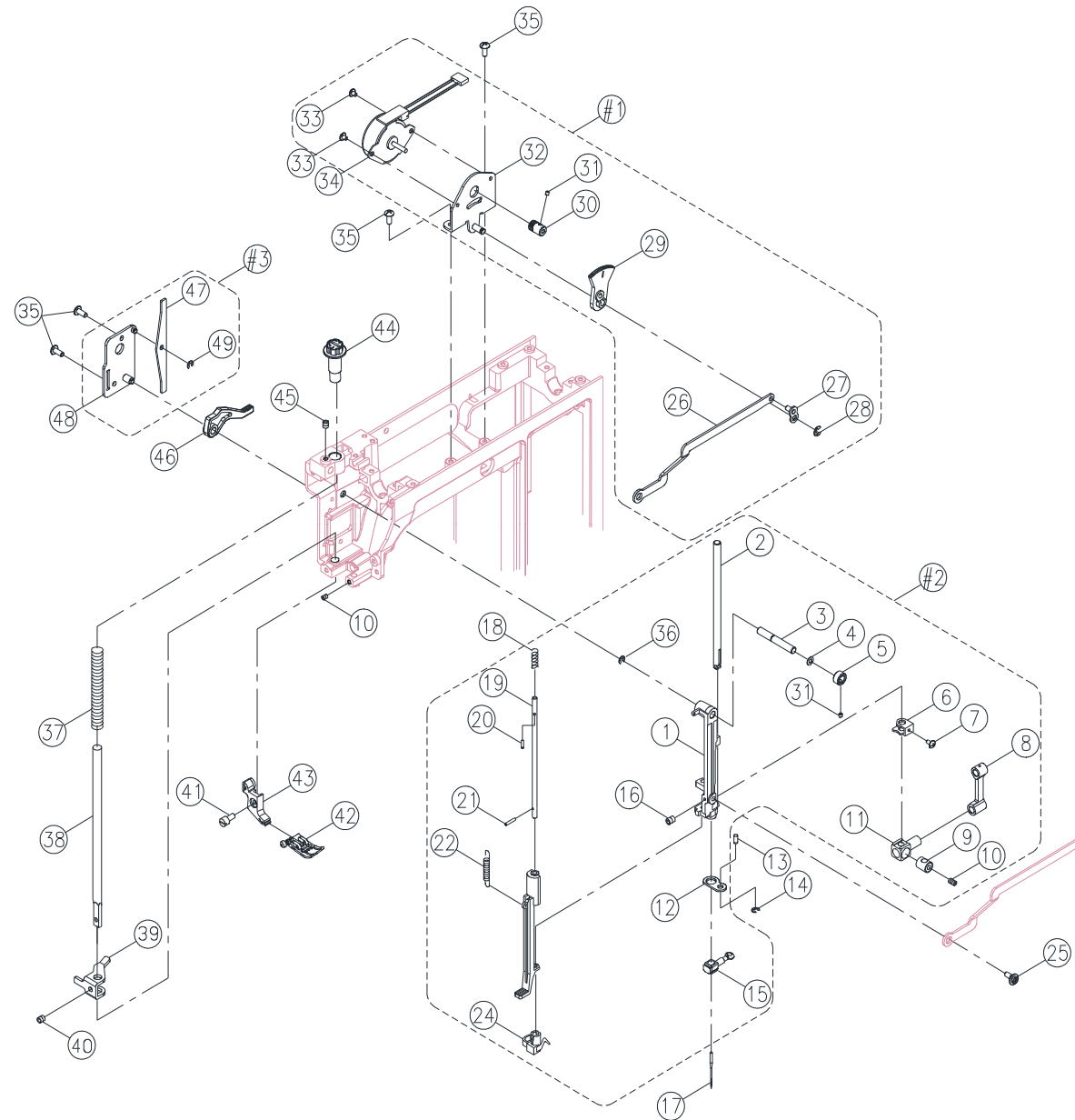
THE PARTS MENTIONED WITHOUT NUMBER IN THE PARTS LIST ARE NOT AVAILABLE.

TAKE CARE THE PARTS FOR THE MODEL AND THE VOLTAGE APPLICATION & SPEC. YOU NEED.

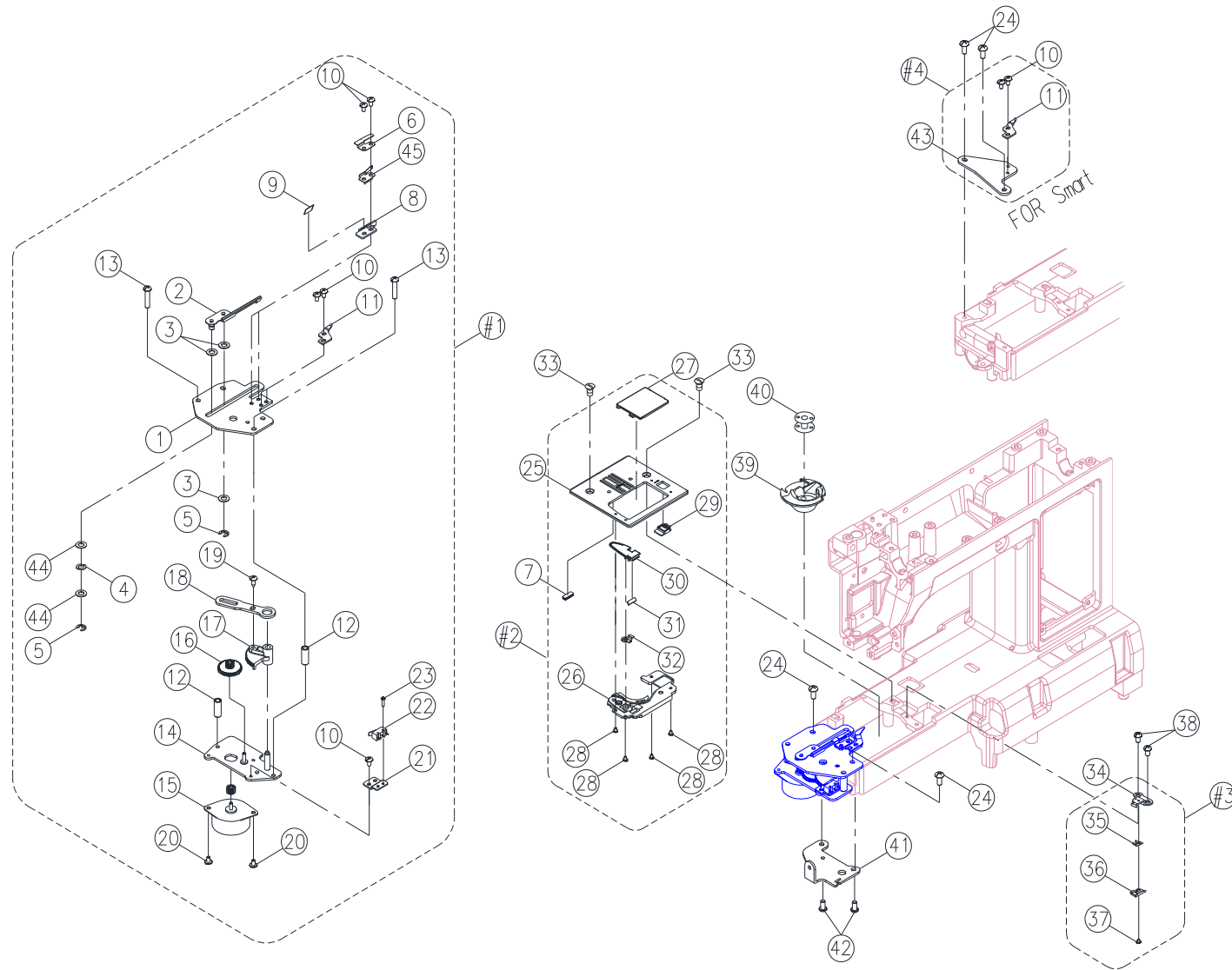
A. ARM, THREAD TAKE UP LEVER



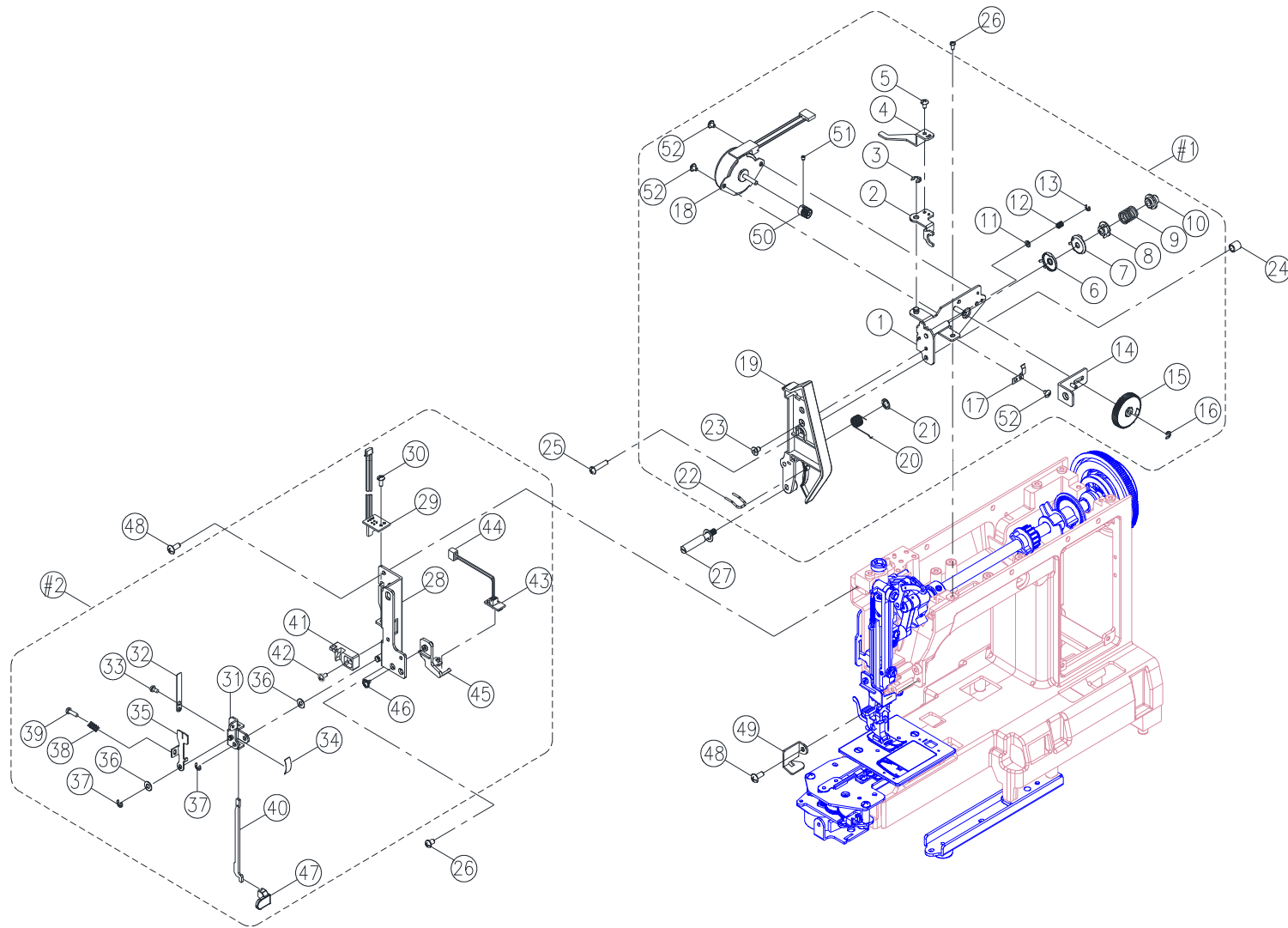
B. NEEDLE BAR SUPPORTER, ZIGZAG PULSE MOTOR PLATE



C. AUTO CUTTER, NEEDLE PLATE



D. DIAL TENSION, BH LEVER PLATE

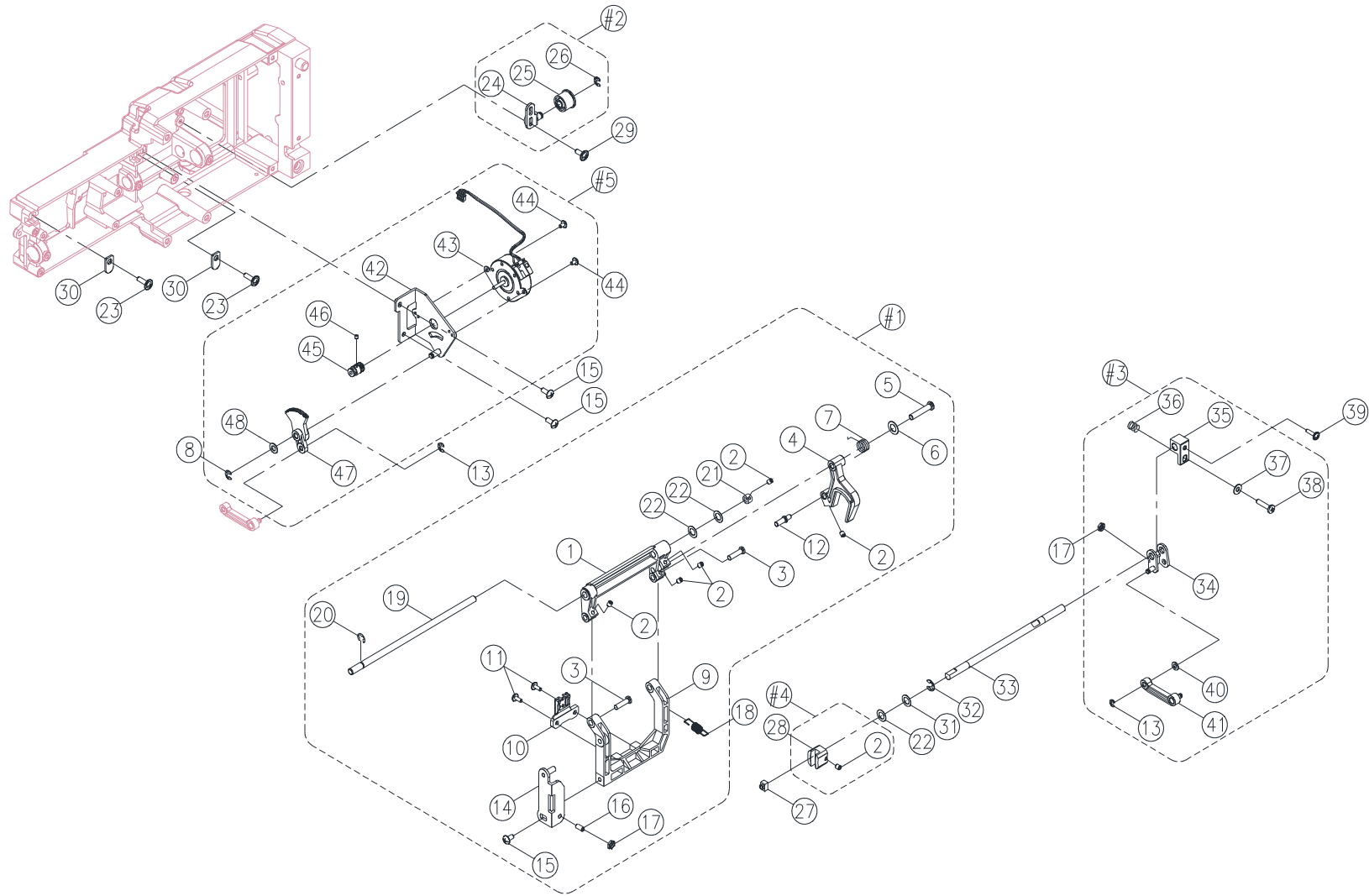


D. DIAL TENSION, BH LEVER PLATE

NO.	ITEM NO.	NAME	REMARK
1	H7B0185000	DIAL TENSION SUPPORTER PLATE COMPLETE	
2	H7B0253003	DIAL TENSION WAFT PLATE	
3	003010043	E-RING (ETW-4)	
4	H7B0263003	DIAL TENSION WAFT TRIMMING PLATE	
5	004230706	SET SCREW (M3x0.5x5 A)	
6	J30423001	DIAL TENSION DISC (1)	
7	E1A2333001	DIAL TENSION DISC	
8	R10593000	DIAL TENSION SPRING REGULATOR	
9	CFA0833000	DIAL TENSION SPRING	
10	K50193000	DIAL TENSION REGULATOR	
11	004301068	WASHER (3.2x6x0.5)	
12	H7B0243000	SPRING	
13	003010253	E-RING (ETW-2.5)	
14	H7B0215000	DIAL TENSION SPRING PLATE COMPLETE	
15	H7B0233000	DIAL TENSION GEAR	
16	003010033	E-RING (ETW-3)	
17	H7B0273003	DIAL TENSION PLATE	
18	001H1C0001	PULSE MOTOR COMPLETE	
19	H7BA033210	DIAL TENSION SUPPORTER PLATE COVER	
20	V60303000	THREAD GUIDE SPRING	
21	003020053	CS-RING (CSTW-5)	
22	P3A1353001	THREAD GUIDE	
23	004240176	SET SCREW(M4x6D)	
24	H11103001	DIAL TENSION GUIDE SPRING TUBE	
25	004240146	SET SCREW (M4x15 B)	
26	004240056	SET SCREW (M4x6 B)	
27	0042400342	SET SCREW (M4x14 L=37)	
28	H1A0273006	BH LEVER PLATE	
29	008H7B0015	PHOTO SENSOR COMPLETE	
30	004230702	SET SCREW (M3x5 A)	
31	H7A0425000	BH LEVER CRANK COMPLETE	
32	CFA1053000	BH LEVER CRANK SPRING	

NO.	ITEM NO.	NAME	REMARK
33	004230056	SET SCREW (M3x5 B)	
34	E1A1483003	BH SPRING PLATE	
35	H7A0413003	PHOTO PLATE	
36	004300096	WASHER (4x8x0.5)	
37	003010036	E-RING (ETW-3)	
38	D3B1293003	PULSE SUPPORT SPRING	
39	004230596	SET SCREW (M3x16)	
40	P3C0183002	BH LEVER	
41	P3C0203210	BH MOVEMENT CRANK	
42	004230816	SET SCREW (M3x6)	
43	008H7B0009	LED LIGHT LAMP	
44	008H7B0010	LED LAMP LINE	
45	H7BZ203210	LED HOLDER	
46	004231016	SET SCREW (M3x5)	
47	H7BA023210	BH LEVER BUTTON	
48	004240106	SET SCREW (M4x8 A)	
49	E1A1883001	ARM TOP COVER THREAD GUIDE PLATE	
50	H7B0313000	PULSE MOTOR GEAR	
51	004230433	SET SCREW (M3x3 C)	
52	0042300508	SET SCREW (M3x3.5 A)	
#1	H7BA034210	DIAL TENSION COMPLETE	
#2	H7BA024210	BH LEVER PLATE COMPLETE	

E. FEED ROCK SHAFT, FEED REGULATING, PULSE SUPPORT PLATE

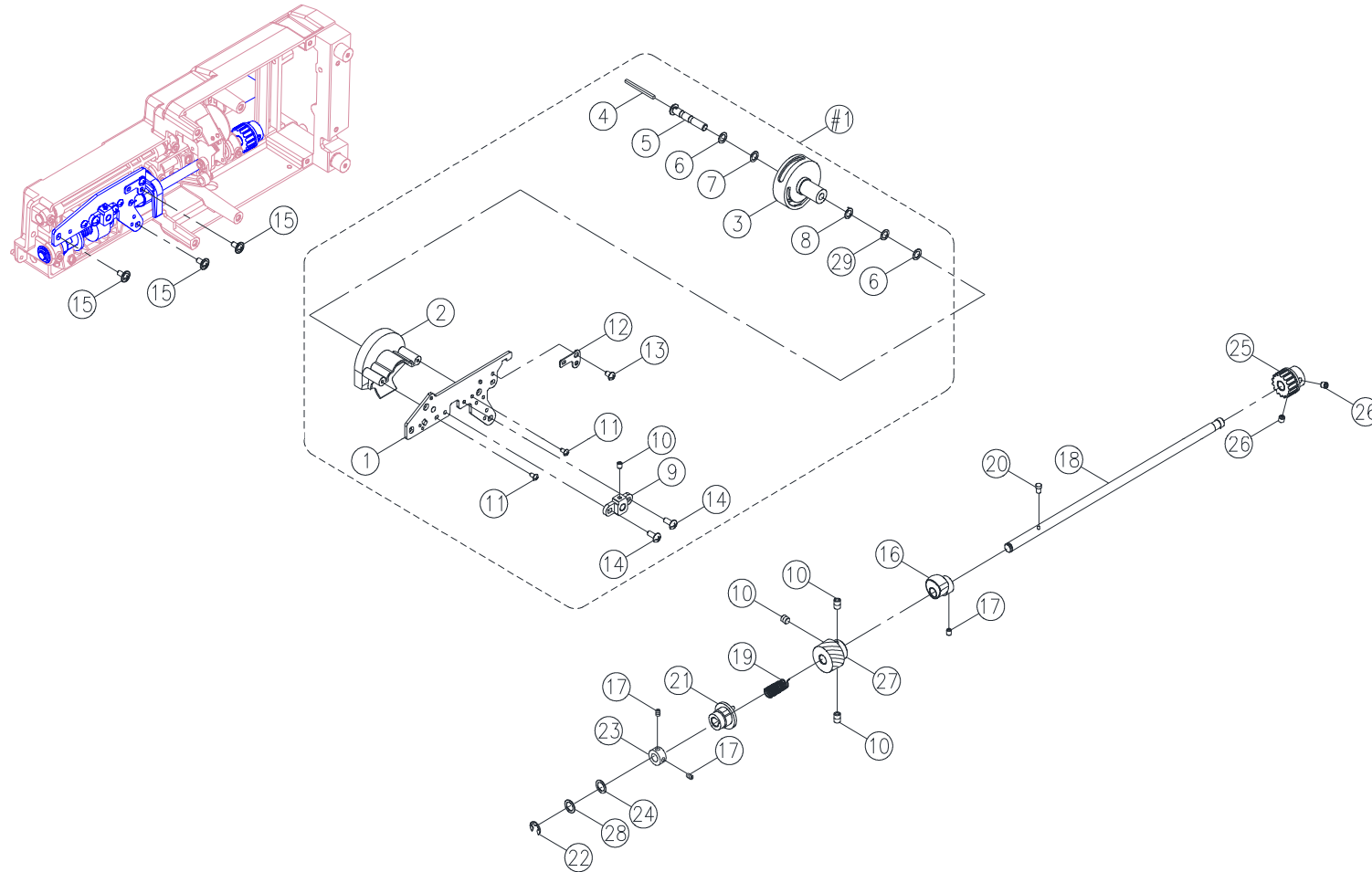


E. FEED ROCK SHAFT, FEED REGULATING, PULSE SUPPORT PLATE

NO.	ITEM NO.	NAME	REMARK
1	H7A0303000	FEED ROCK SHAFT	
2	004240503	SET SCREW (M4x4 C)	
3	P3A0533003	FEED DOG SHAFT	
4	P3A0573000	FEED ROCK CRANK	
5	P3A0583003	FEED ROCK SHAFT	
6	004300733	WASHER (5.2x12x1)	
7	P3A0933003	FEED ROCK CRANK SPRING	
8	003010046	E-RING (ETW-4)	
9	P3A0523000	FEED DOG SUPPORTER	
10	H7A0143000	FEED DOG	
11	004235016	SET SCREW (M3.5x8 A)	
12	CAA1613000	REGULATING BLOCK SHAFT	
13	003010036	E-RING (ETW-3)	
14	P3A0553002	FEED LIFTING ROCK CRANK	
15	004240106	SET SCREW (M4x8 A)	
16	004241093	SET SCREW (M4x0.7 L9)	
17	004840106	ADJUSTING NUT (ALN-4)	
18	H1G0443003	FEED DOG SPRING	
19	H7A0313000	FEED ROCK SHAFT	
20	003010053	E-RING (ETW-5)	
21	H7A0883003	FEED COLLAR	
22	004400570	ENDURE ATTRITION WASHER (6.7x11.8x0.5)	
23	004240546	SET SCREW (M4x12)	
24	H1A0433003	BELT ADJUSTING PLATE	
25	H1A0453000	BELT ADJUSTING PLATE PULLEY	
26	003010043	E-RING (ETW-4)	
27	F31403000	FEED REGULATING BLOCK	
28	F31393000	FEED REGULATING	
29	004240586	SET SCREW (M4x8)	
30	H13093003	CARRYING HANDLE SHAFT	
31	004300123	WASHER (6.7x12x1)	
32	003011052	E-RING (ETW-5)	

NO.	ITEM NO.	NAME	REMARK
33	H1A0203000	FEED REGULATING SHAFT	
34	D3A0273003	FEED REGULATING CRANK (2)	
35	CAA1733000	FEED REGULATING CRANK (1)	
36	D1E0783003	FEED REGULATING CRANK SPRING	
37	004300986	WASHER (4.2x10x0.5)	
38	004241202	SET SCREW (M4x18)	
39	004230776	SET SCREW (M3x12)	
40	004300136	WASHER (4.2x8x0.8)	
41	D3A0943000	FEED ROCK ROD	
42	H7B0285000	PULSE SUPPORT PLATE COMPLETE	
43	001H7B0003	PULSE MOTOR COMPLETE	
44	0042300508	SET SCREW (M3x3.5 A)	
45	CAA1713000	PULSE MOTOR GEAR	
46	004230433	SET SCREW (M3x3 C)	
47	P3C0243000	FEED CRANK SHAFT GEAR	
48	0043000208	WASHER (5.1x9.5x0.4)	
#1	H7B0304000	FEED ROCK SHAFT COMPLETE	
#2	H1A0425000	BELT ADJUSTING PLATE COMPLETE	
#3	H1A1544000	FEED REGULATING CRANK COMPLETE	
#4	D3A1674000	FEED REGULATING COMPLETE	
#5	H7B0284000	PULSE SUPPORT PLATE COMPLETE	

F. ROTARY HOOK HOLDER, LOWER SHAFT



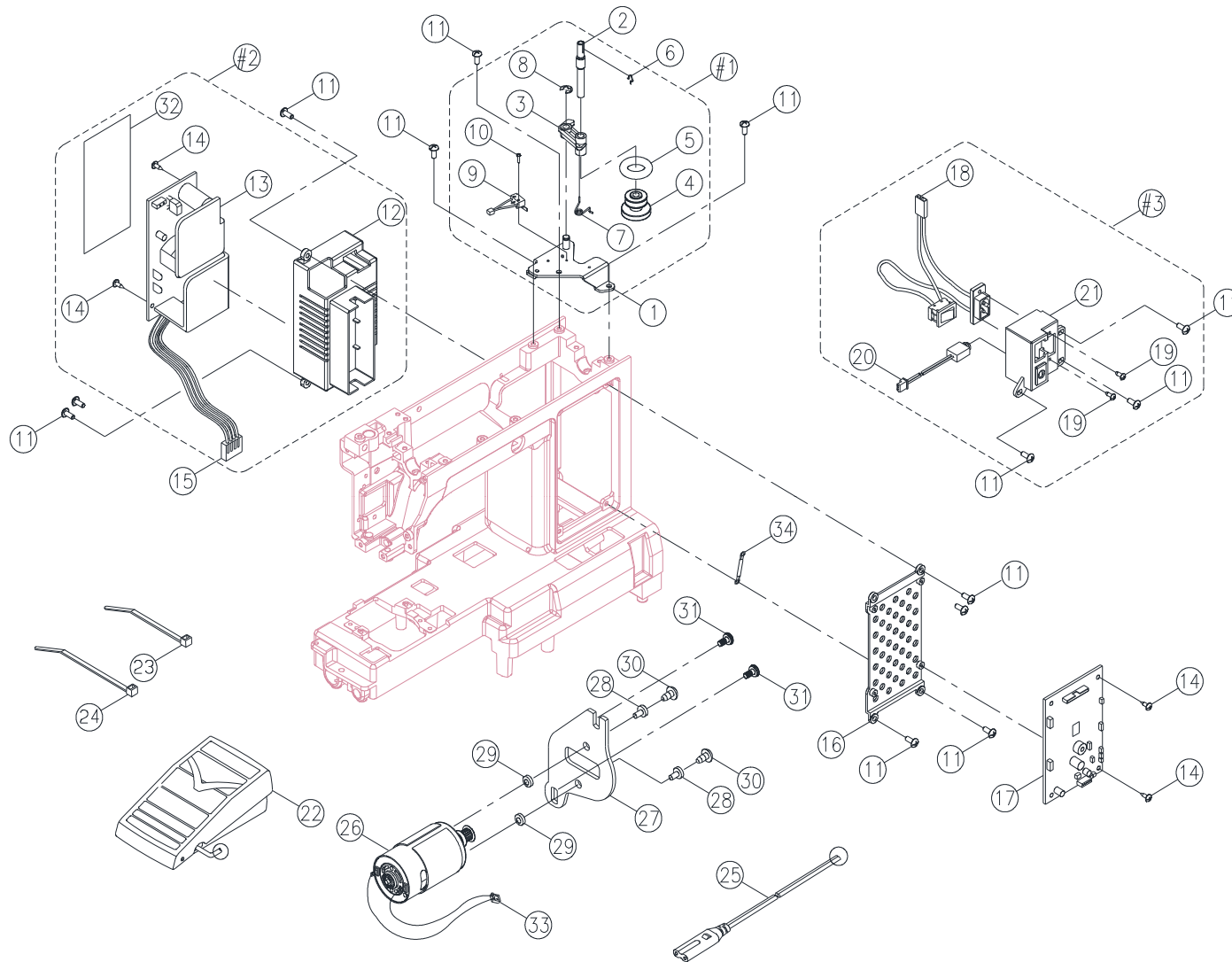
PREFIX ZS

F. ROTARY HOOK HOLDER, LOWER SHAFT

NO.	ITEM NO.	NAME	REMARK
1	CAA0783006	ROTARY HOOK HOLDER	
2	E1A0563582	SHUTTLE HOOK COVER	
3	Q6A0704000	SHUTTLE HOOK HOLDER	
4	NB0693000	BOBBIN SHAFT OIL CLOTH	
5	E1A2033000	BOBBIN SHAFT	
6	NB0673000	BOBBIN SHAFT WASHER (2)	
7	004400840	ENDURE ATTRITION WASHER (6.2x9.6x0.5)	
8	NB0683000	BOBBIN SHAFT WASHER (3)	
9	E1A0543000	ROTARY HOOK SUPPORTER	
10	004240033	SET SCREW (M4x5 C)	
11	004230066	SET SCREW (M3x12)	
12	P3A0493003	ROTARY HOOK HOLDER POSITIONED PLATE	
13	004240056	SET SCREW (M4x6 B)	
14	004240106	SET SCREW (M4x8 A)	
15	004240586	SET SCREW (M4x8)	
16	H1A1503000	FEED ROCK CAM	
17	004240503	SET SCREW (M4x4 C)	
18	H1A0133000	LOWER SHAFT	
19	P3A0443003	LOWER SHAFT SPRING	
20	P3A0433003	FEED LIFTING ROCK COM PIN	
21	P3A0423000	FEED LIFTING ROCK CAM	
22	003010063	E-RING (ETW-6)	
23	V11553003	LOWER SHAFT COLLAR	
24	004400830	ENDURE ATTRITION WASHER (8.2x12x0.5)	
25	H1A0463000	LOWER SHAFT BELT PULLEY	
26	004250203	SET SCREW (M5x5 C)	
27	P3A1133000	LOWER SHAFT GEAR	
28	004300936	WASHER (8.2x12x0.5)	
29	0044000200	ENDURE ATTRITION WASHER (6.2x9.6x0.25)	
#1	H7B0144000	ROTARY HOOK HOLDER COMPLETE	

NO.	ITEM NO.	NAME	REMARK

G. BOBBIN WINDER PLATE, HF TRANSFORMER COMPLETE

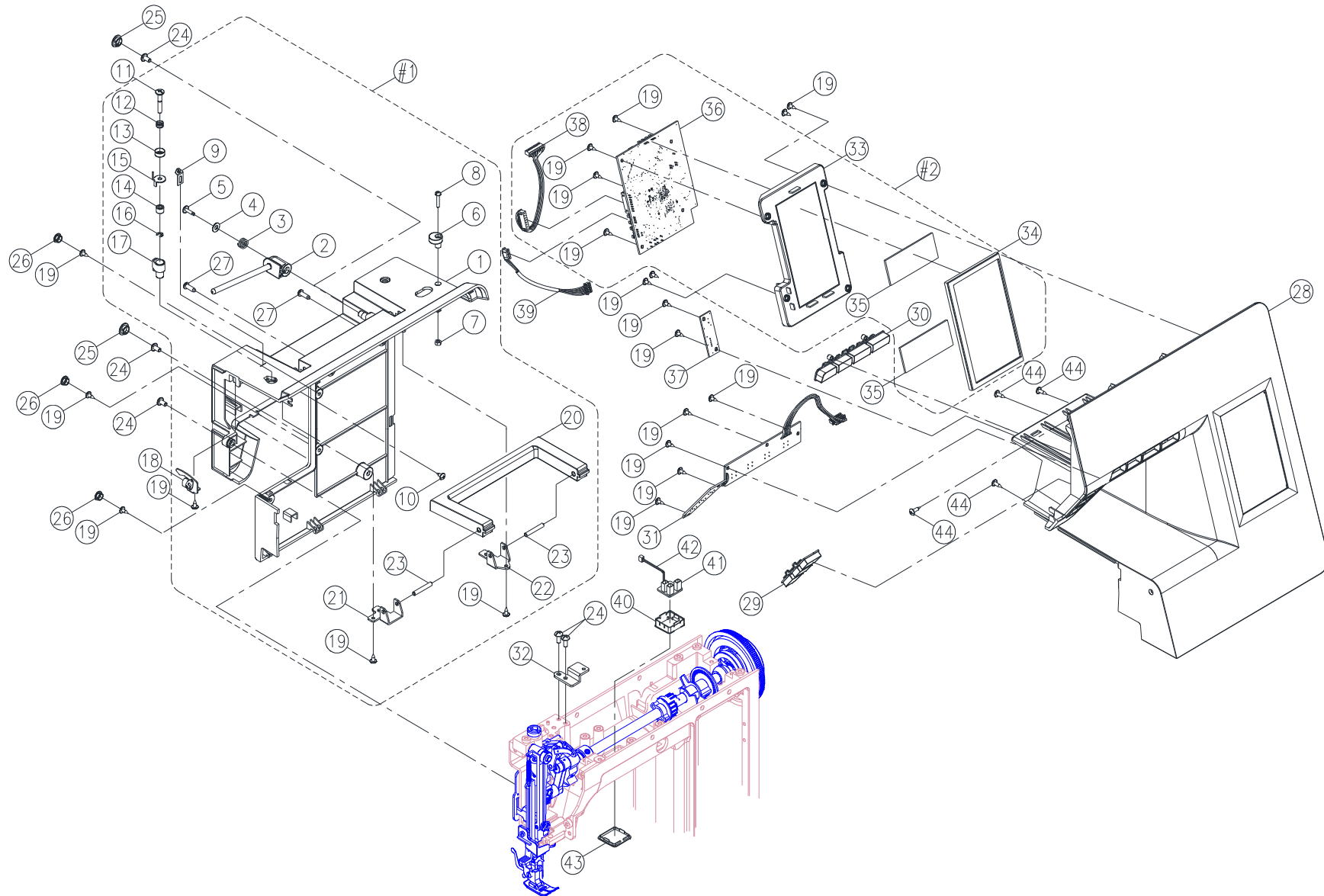


G. BOBBIN WINDER PLATE, HF TRANSFORMER COMPLETE

NO.	ITEM NO.	NAME	REMARK
1	H7B0025000	BOBBIN WINDER PLATE	
2	K6B0603001	BOBBIN WINDER CRANK	
3	K6A0563000	BOBBIN WINDER CRANK	
4	D5A0633000	BOBBIN WINDER PULLEY	
5	F20213000	BOBBIN WINDER RUBBER PULLEY	
6	F20193000	BOBBIN WINDER CRANK SPRING	
7	H2H0063003	BOBBIN WINDER CRANK SPRING	
8	003010053	E-RING (ETW-5)	
9	008H7A0010	MICRO SWITCH	
10	004220112	SET SCREW (M2x0.4x7.5)	
11	004240106	SET SCREW (M4x8 A)	
12	H1A0533000	HF TRANSFORMER BOX	
13	008CFA0022	HF TRANSFORMER COMPLETE	
14	004230216	SET SCREW (M3x8.5)	
15			
	008CGA0002	HF TRANSFORMER WIRE	
16	H1A0543209	FRAME OF MAIN CIRCUIT BOARD	
17	008H7B0008	MAIN CIRCUIT BOARD	FOR Smart
	008H7B0001	MAIN CIRCUIT BOARD	FOR Smart Plus
18			
	008CFA1003	SWITCH RECEPTACLE ASSY	
19	004230326	SET SCREW (M3x12 B)	
20			
	008CFA0007	CONTROLLER RECEPTACLE	
21	H1A0513000	RECEPTACLE HOLDER	
22	002H7B0001	FOOT CONTROLLER	
23	002030129	CORD CLIP (L=12)	
24	002549129	CORD CLIP (L=20)	
25			

NO.	ITEM NO.	NAME	REMARK
25	002542118	POWER CORD	
26	001CAA0002	DC MOTOR	
27	H1A0303006	MOTOR BRACKET	
28	P3C0443000	INSULATION SPACER	
29	P3C0453000	INSULATION SPACER	
30	004230536	SET SCREW (M3x10)	
31	0042500096	SET SCREW (M5x12)	
32	008H1A0027	SMPS INSULATING SLICE	
33	008H7B0013	DC MOTOR COMPLETE WIRE	
34	008CFA0020	GROUND CONNECTION	
#1	H7B0024000	BOBBIN WINDER COMPLETE	
#2			
	H1F0144000	HF TRANSFORMER BOX COMPLETE	
#3			
	H7B0164000	RECEPTACLE HOLDER COMPLETE	

H. FRONT COVER, BACK COVER

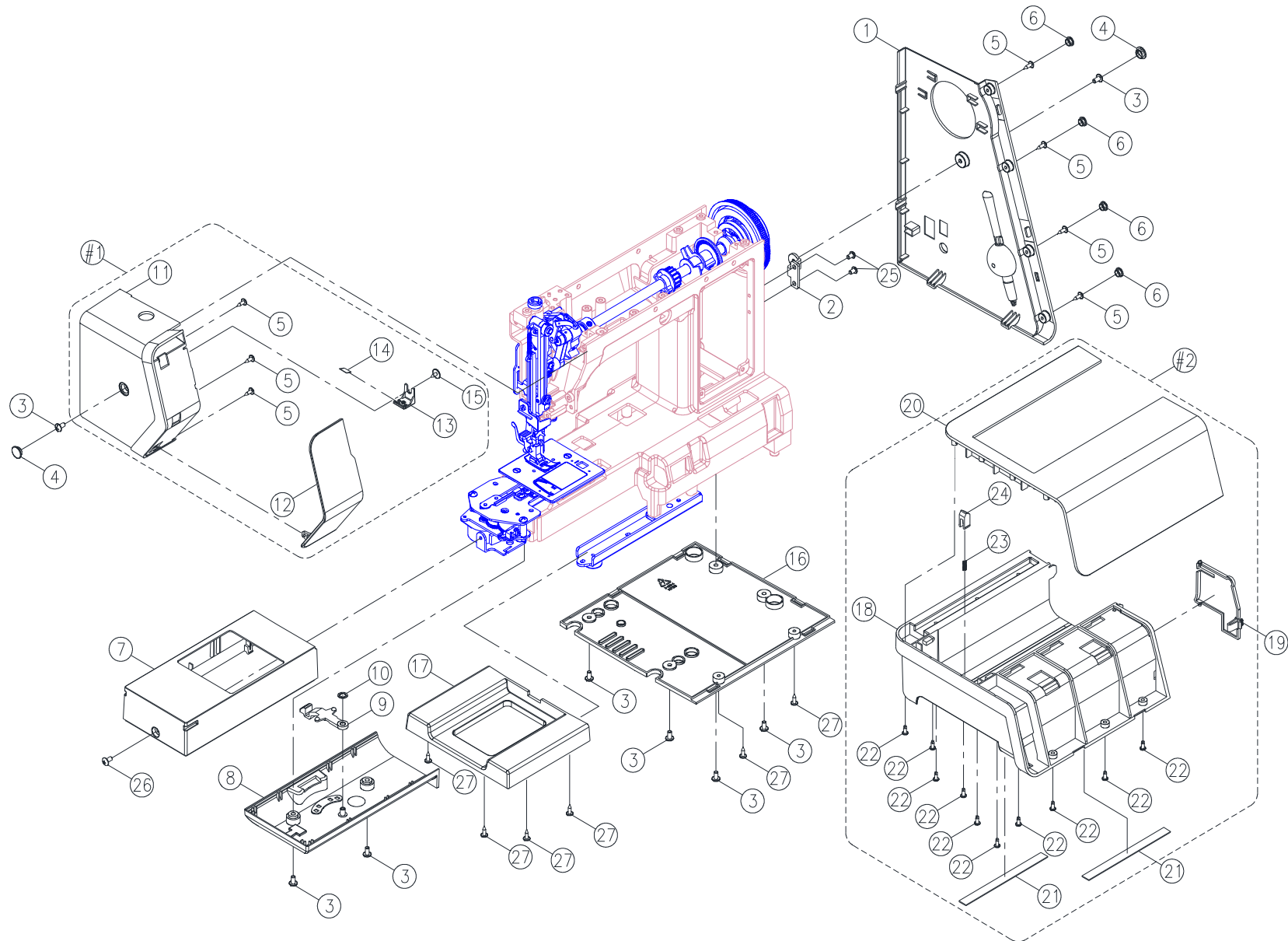


H. FRONT COVER, BACK COVER

NO.	ITEM NO.	NAME	REMARK
1	H7BB013953	BACK COVER	
2	CFA0443210	SPOOL ROD	
3	D1E0773006	SPOOL ROD SPRING	
4	004300202	WASHER (4.5x10x0.8)	
5	004230746	SET SCREW (M3x12)	
6	E1A2393000	BOBBIN WINDER STOPPER	
7	004706013	NUT (9/64x40 t=3)	
8	004106162	SET SCREW (9/64x40x16 B)	
9	H1B0603001	THREAD GUIDE	
10	004230842	SET SCREW (M3x8)	
11	V610213001	BOBBIN WINDER THREAD GUIDE ADJUSTING	
12	H13153001	SPRING	
13	H13133001	BOBBIN WINDER SPRING DISC	
14	V610223001	BOBBIN WINDER THREAD GUIDE	
15	V610233006	SPACER	
16	003010033	E-RING (ETW-3)	
17	H7BZ103953	BOBBIN WINDER THREAD GUIDE DISC	
18	Q6D0415000	THREAD GUIDE COMPLETE	
19	004230216	SET SCREW (M3x8.5)	
20	H7BZ093953	HANDLE	
21	H7B0093006	HANDLE BRACKET (LEFT)	
22	H7B0103006	HANDLE BRACKET (RIGHT)	
23	Q6D0433002	PIN	
24	004240106	SET SCREW (M4x8 A)	
25	H1FZ143953	CAPS	
26	H7BZ193953	CAP (SMALL)	
27	004240526	SET SCREW (M4x12 B)	
28	H7BC023210	FRONT COVER	FOR Smart
	H7BC013210	FRONT COVER	FOR Smart Plus
29	H7BN013210	START/STOP PUSH BUTTON	
30	H7BN033210	FUNCTION SELECT BUTTON	FOR Smart

NO.	ITEM NO.	NAME	REMARK
30	H7BN023210	FUNCTION SELECT BUTTON	FOR Smart Plus
31	008H7B0007	START CIRCUIT BOARD	
32	H7B0113006	ARM TOP COVER BRACKET	
33	H7BZ043210	LED FIXED HOLDER	
34	008H7B0002	TFT MODULE	
35	025H7B0004	EVA	
36	008H7B0018	OS BOARD	FOR Smart
	008H7B0003	OS BOARD	FOR Smart Plus
37	008H7B0004	USB CONVERTER BOARD	
38	008H7B0005	CONNECTER CABLE	
39	008H7B0006	USB CABLE	
40	CAA1103213	LIGHT CASE	
41	008H7B0011	LED LAMP PLATE	
42	008H7B0012	LED LAMP LINE	
43	CAA1093031	LIGHT COVER	
44	004230605	SET SCREW (M3x10)	
#1	H7BB014953	BACK COVER COMPLETE	
#2	H7BZ245210	LED FIXED HOLDER COMPLETE	FOR Smart
	H7BZ045210	LED FIXED HOLDER COMPLETE	FOR Smart Plus

I. FREE ARM BASE, FACE PLATE , SEWING TABLE BODY



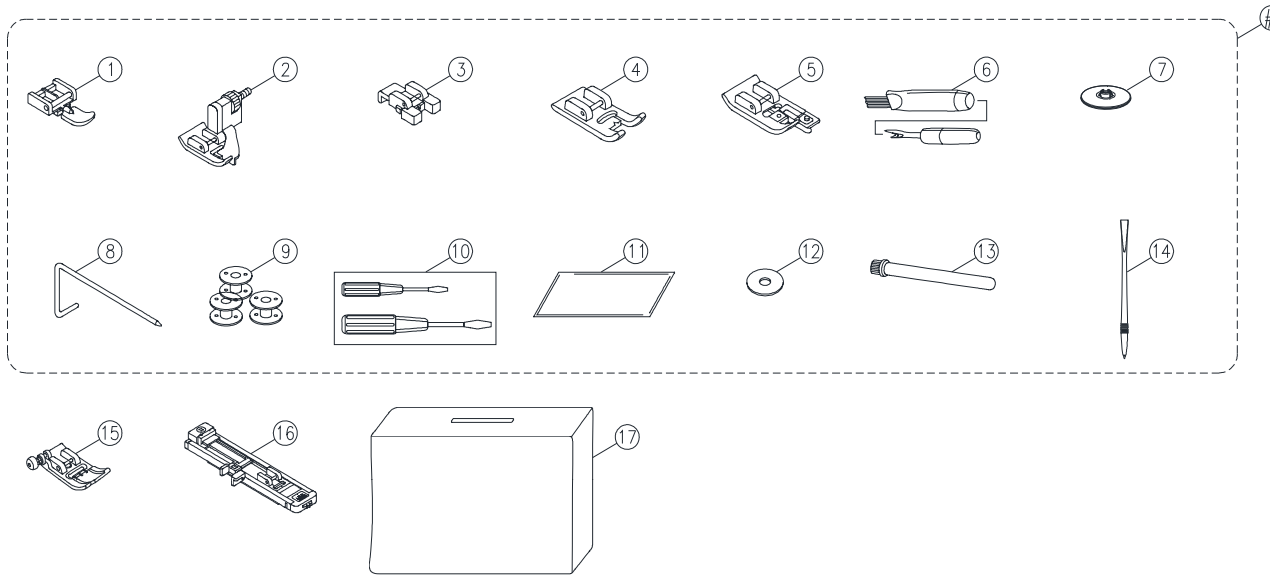
I. FREE ARM BASE, FACE PLATE , SEWING TABLE BODY

NO.	ITEM NO.	NAME	REMARK
1	H7BZ173953	MOTER DRIVE BELT COVER	
2	H1D0593003	MOTOR DRIVE BELT COVER FRAME	
3	004240106	SET SCREW (M4x8 A)	
4	H1FZ143953	CAPS	
5	004230216	SET SCREW (M3x8.5)	
6	H7BZ193953	CAP (SMALL)	
7	H7BZ153210	FREE ARM SLAB	
8	H7BA043210	FREE ARM BASE	
9	H7BZ223000	TOOTH LEVER ARM	
10	003020053	CS-RING (CSTW-5)	
11	H7BF013953	FACE PLATE	
12	H7BF023210	FACE PANEL	
13	Q5E0073210	FACE CUTTER PLATE	
14	V630593000	CUTTER	
15	004230796	SET SCREW (M3x8)	
16	H7BZ183953	CORD REEL COVER	
17	H1A1393210	FREE ARM FOOT BASE	
18	H7BZ053953	SEWING TABLE BODY	
19	H7BZ073210	SEWING TABLE BODY COVER	
20	H7BZ063210	SEWING TABLE PANEL	
21	D5A0483000	SEWING TABLE BODY FELT	
22	004230842	SET SCREW (M3x8)	
23	H10133211	SEWING TABLE BODY GUIDE	
24	H10143003	SEWING TABLE BODY GUIDE SPRING	
25	004240056	SET SCREW (M4x6 B)	
26	004240516	SET SCREW (M4x6)	
27	004230605	SET SCREW (M3x10)	
#1	H7BF014953	FACE PLATE COMPLETE	
#2	H7BZ054953	SEWING TABLE BODY COMPLETE	

NO.	ITEM NO.	NAME	REMARK

J. ACCESSORIES

STANDARD ACCESSORIES



J. ACCESSORIES

STANDARD ACCESSORIES			
NO.	ITEM NO.	NAME	REMARK
1	006905008	ZIPPER FOOT (I)	
2	006904008	BLIND HEM FOOT (F)	
3	006914008	BUTTON SEW ON FOOT	
4	006172008	SATIN STITCH FOOT (A)	
5	006907008	OVERCASTTING FOOT (E)	
6	006099008	BRUSH & SEAM RIPPER COMPLETE	
7	H1D0083210	SPOOL HOLDER (LARGE)	
8	006H1G0007	SEAM GUIDE	
9	006084009	BOBBIN	
10	006012008	LARGE & SMALL SCREW DRIVE	
11	006014148	NEEDLE (3 PCS FOR 1 PACK)	
12	006015009	FELT CUSHION	
13	H1D0073210	AUXILIARY SPOOL PIN	
14	S2A0083582	TOUCH PANEL STYLUS	
15	006D1E0004	ZIGZAG PRESSER FOOT (T)	
16	006H1A0004	BUTTONHOLE FOOT	
17	H7BL014068	SOFT COVER COMPLETE	
#1	006H7B0001	ACCESSORY COMPLETE	

NOTE: WHEN YOU ORDER ANY SPARE PARTS FROM US,
PLEASE COOPERATE WITH US BY WRITING.

- (1) SECTION & SEQUENCE NO.
- (2) NAME OF PARTS
- (3) VOLTAGE, IF NECESSARY
- (4) OTHERS, IF ANY