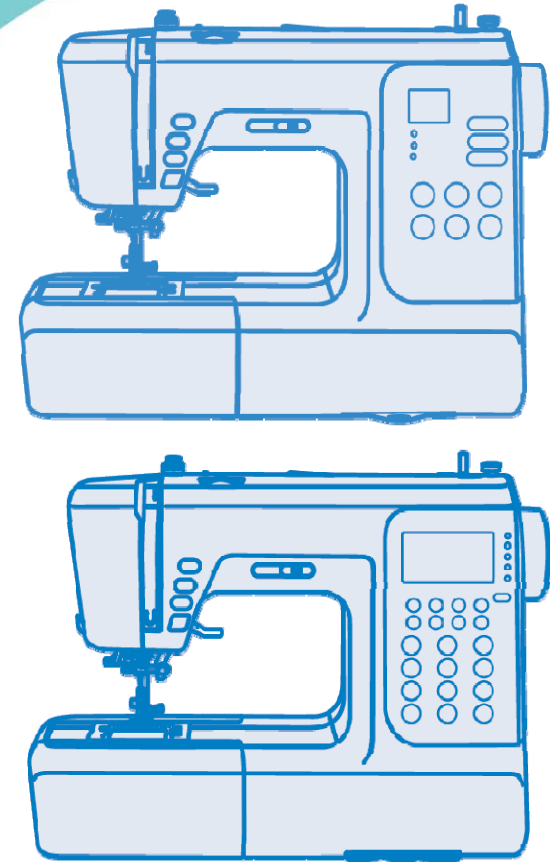


Parts List

NECCHI

**MODEL
H30E/H50E**



~ LIST OF CONTENTS ~

A. UPPER SHAFT COMPONENTS

B. ARM, NEEDLE BAR COMPONENTS, ZIGZAG MECHANISM

C. BH MECHANISM, NEEDLE PLATE COMPONENTS, THREAD TENSION MECHANISM

D. FEED MECHANISM

E. HOOK & LOWER SHAFT COMPONENTS

F. MOTOR, POWER SUPPLY & ELECTRONIC PARTS

G. FREE ARM BASE COMPONENTS, BACK COVER COMPONENTS

H. FRONT COVER COMPONENTS, FACE COVER COMPONENTS (FOR H30E)

H. FRONT COVER COMPONENTS, FACE COVER COMPONENTS (FOR H50E)

I. SEWING TABLE COMPONENTS

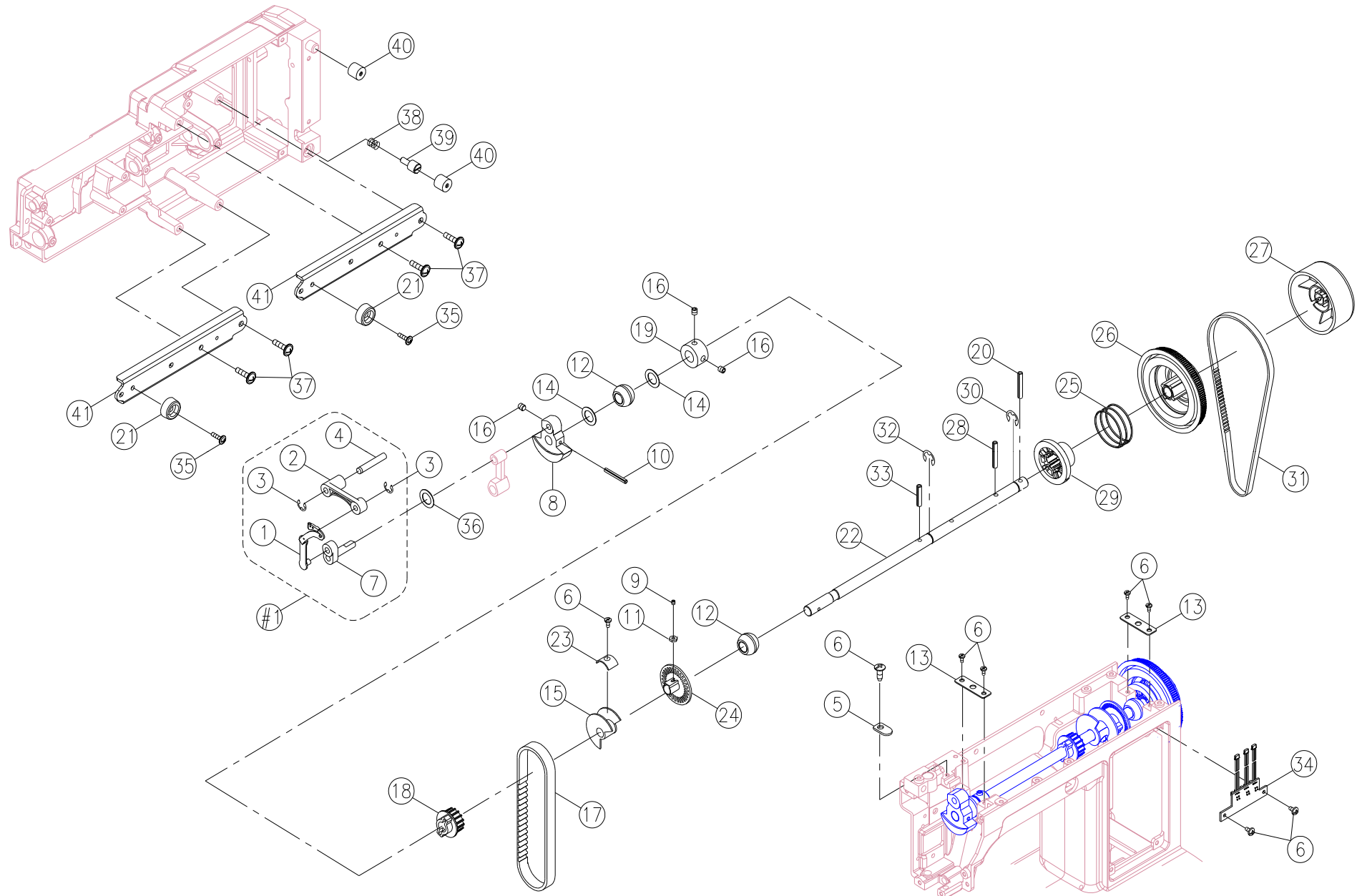
J. ACCESSORIES

PLEASE NOTE:

THE PARTS MENTIONED WITHOUT NUMBER IN THE PARTS LIST ARE NOT AVAILABLE.

TAKE CARE THE PARTS FOR THE MODEL AND THE VOLTAGE APPLICATION & SPEC. YOU NEED.

A. UPPER SHAFT COMPONENTS



A. UPPER SHAFT COMPONENTS

NO.	ITEM NO.	NAME	REMARK
1	H1A0575000	THREAD TAKE UP LEVER COMPLETE	
2	E1A2653000	THREAD TAKE UP LEVER SUPPORTER	
3	003010036	E-RING (ETW-3)	
4	V60223003	THREAD TAKE UP LEVER SUPPORTER SHAFT	
5	H13093003	SET WASTER	
6	004240106	SET SCREW (M4×8 A)	
7	H1A0493000	ARM SHAFT BALANCE PIN COMPLETE	
8	H1A0473000	ARM SHAFT BALANCE	
9	004240223	SET SCREW (M4×6)	
10	003043524	ARM SHAFT BALANCE PIN (3.5×24)	
11	004840022	NUT (M4 T=3)	
12	R10293000	ARM SHAFT BUSHING	
13	E1A2623003	ARM SHAFT BUSHING HOLDER PLATE	
14	004400080	ENDURE ATTRITION WASHER	
15	CAA1693582	ROTARY SENSOR COLLAR	
16	004250203	SET SCREW (M5×5)	
17	00742505M6	BELT	
18	H1A0403000	ARM SHAFT SPROCKET	
19	R10313000	ARM SHAFT COLLAR	
20	003043030	SPRING PIN (3×30)	
21	F31453000	FREE ARM BASE CUSHION RUBBER	
22	H1A0033000	ARM SHAFT	
23	D3A0043002	ARC WASHER	
24	008410000	REVOLUTION CONTROL PANEL	
25	D5A0573003	ARM SHAFT CLUTCH ANNULUS SPRING	
26	H1A0103000	ARM SHAFT DRIVE BELT PULLEY	
27	D6B0243209	HAND WHEEL	
28	003043028	SPRING PIN (3×28)	
29	D5A0583000	CLUTCH SLEEVE	
30	003010083	E-RING (ETW-8)	
31	00749402M5	BELT	
32	003010093	E-RING (ETW-9)	

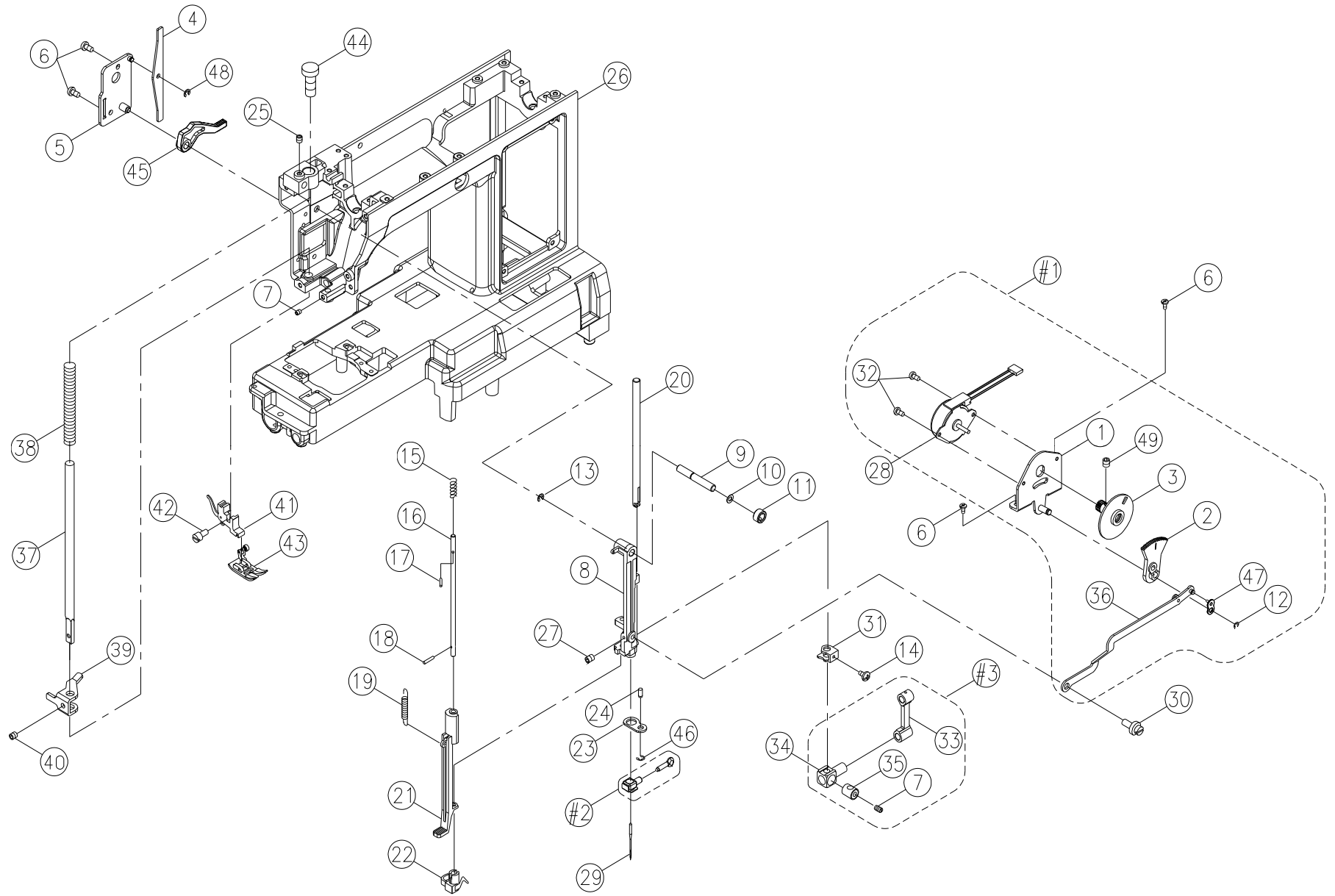
PREFISSO "Zs"
 PREFISSO "Zs"
 PREFISSO "Zs"

PREFISSO "Zs"
 PREFISSO "Zs"

PREFISSO "Zs"
 PREFISSO "Zs"

NO.	ITEM NO.	NAME	REMARK
33	003043018	SPRING PIN (3×18)	
34	008CAA0007	PHOTO SENSOR PLATE	
35	004240586	SET SCREW (M4×8)	
36	0044000020	ENDURE ATTRITION WASHER (6.2x12x0.25)	
37	004250426	SET SCREW (M5×10)	
38	E1A2573006	BASE PLATE ADJUSTMENT SCREW SPRING	
39	K82133006	BASE PLATE ADJUSTMENT SCREW	
40	K6A0063002	FREE ARM BASE CUSHION RUBBER	
41	H1A0413006	FREE ARM BASE CUSHION	
#1	H1A0494000	THREAD TAKE UP LEVER COMPLETE	

B. ARM, NEEDLE BAR COMPONENTS, ZIGZAG MECHANISM



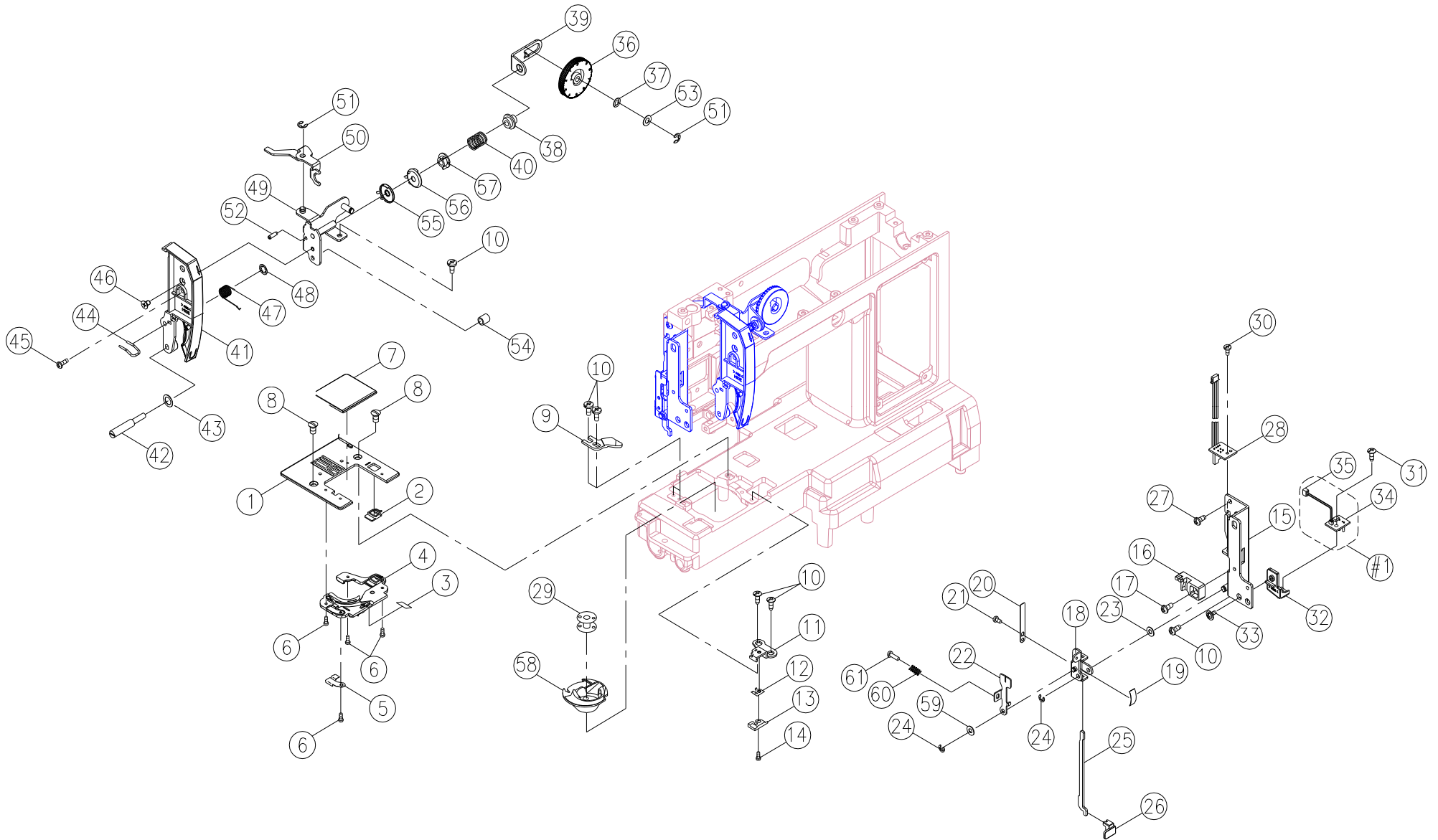
B. ARM, NEEDLE BAR COMPONENTS, ZIGZAG MECHANISM

NO.	ITEM NO.	NAME	REMARK
1	H7A1075000	ZIGZAG PULSE MOTOR PLATE	
2	H1A1533582	ZIGZAG CRANK GEAR	
3	R1A1394000	PULSE MOTOR GEAR COMPLETE	
4	H1A0063003	TENSION LEVER LIFTER	
5	H1A0053003	CLAMP PLATE	
6	004240106	SET SCREW (M4×8 A)	
7	004240503	SET SCREW (M4×4)	
8	H7A0383000	NEEDLE BAR SUPPORTER	
9	H7A0393000	NEEDLE BAR SUPPORTER PIN	
10	004300186	WASHER (6.2×12×0.5)	
11	V880413003	COLLAR	
12	003010046	E-RING (ETW-4)	
13	003010053	E-RING (ETW-5)	
14	0042300126	SET SCREW (M3×8 A)	
15	R12793003	AUTO THREADER SHAFT SPRING	
16	V61843002	THREADING SHAFT	
17	003042014	AUTO THREADER SHAFT PIN (2x14)	
18	M70043000	SHAFT PIN (2x6)	
19	M70093000	THREADER SHAFT SPRING	
20	V70273000	NEEDLE BAR	
21	R10083000	AUTO THREAD LEVER	
22	E1A2125000	AUTO THREADER	
23	H7A0773003	NEEDLE BAR SWING RING	
24	CAA1823000	NEEDLE BAR SUPPORTER PLATE PIN	
25	004240033	SET SCREW (M4×5)	
26	H1A0013000	ARM	
27	004230203	SET SCREW (M3×4 C)	
28	001H1C0001	PULSE MOTOR	
29	006K6A0005	NEEDLE (#14)	
30	E1A2993000	NEEDLE BAR DRIVING ROD PIN	
31	M70073002	THREADING STOPPER	
32	004230702	SET SCREW (M3×5 A)	

PREFISSO "ZS" PREFISSO "ZS" PREFISSO "ZS"

NO.	ITEM NO.	NAME	REMARK
33	F4A3343000	NEEDLE BAR CRANK ROD	
34	H10253000	NEEDLE BAR BRACKET (1)	
35	H10263000	NEEDLE BAR BRACKET (2)	
36	H7A0373003	NEEDLE BAR DRIVING ROD	
37	V70153002	PRESSER BAR	
38	E1A2493003	PRESSER BAR SPRING	
39	H1A0093003	PRESSER BAR BRACKET	
40	004240223	SET SCREW (M4×6)	
41	006187008	SHANK COMPLETE	
42	004106021	SET SCREW (9/64×40×7.5)	
43	006186008	ALL PURPOSE FOOT	
44	K6B0563000	PRESSER BAR REGULATING SCREW COMPLETE	
45	H1A0073000	PRESSER BAR LIFTER LEVER	
46	003010043	E-RING (ETW-4)	
47	P3C0123002	NEEDLE BAR DRIVING ROD PLATE	
48	003010036	E-RING (ETW-3)	
49	004230433	SET SCREW (M3×3)	
#1	H7A1214000	ZIGZAG PULSE MOTOR PLATE COMPLETE	
#2	TA11034000	NEEDLE CLAMP COMPLETE	
#3	F4A3335000	NEEDLE BAR CRANK ROD COMPLETE	

C. BH MECHANISM, NEEDLE PLATE COMPONENTS, THREAD TENSION MECHANISM

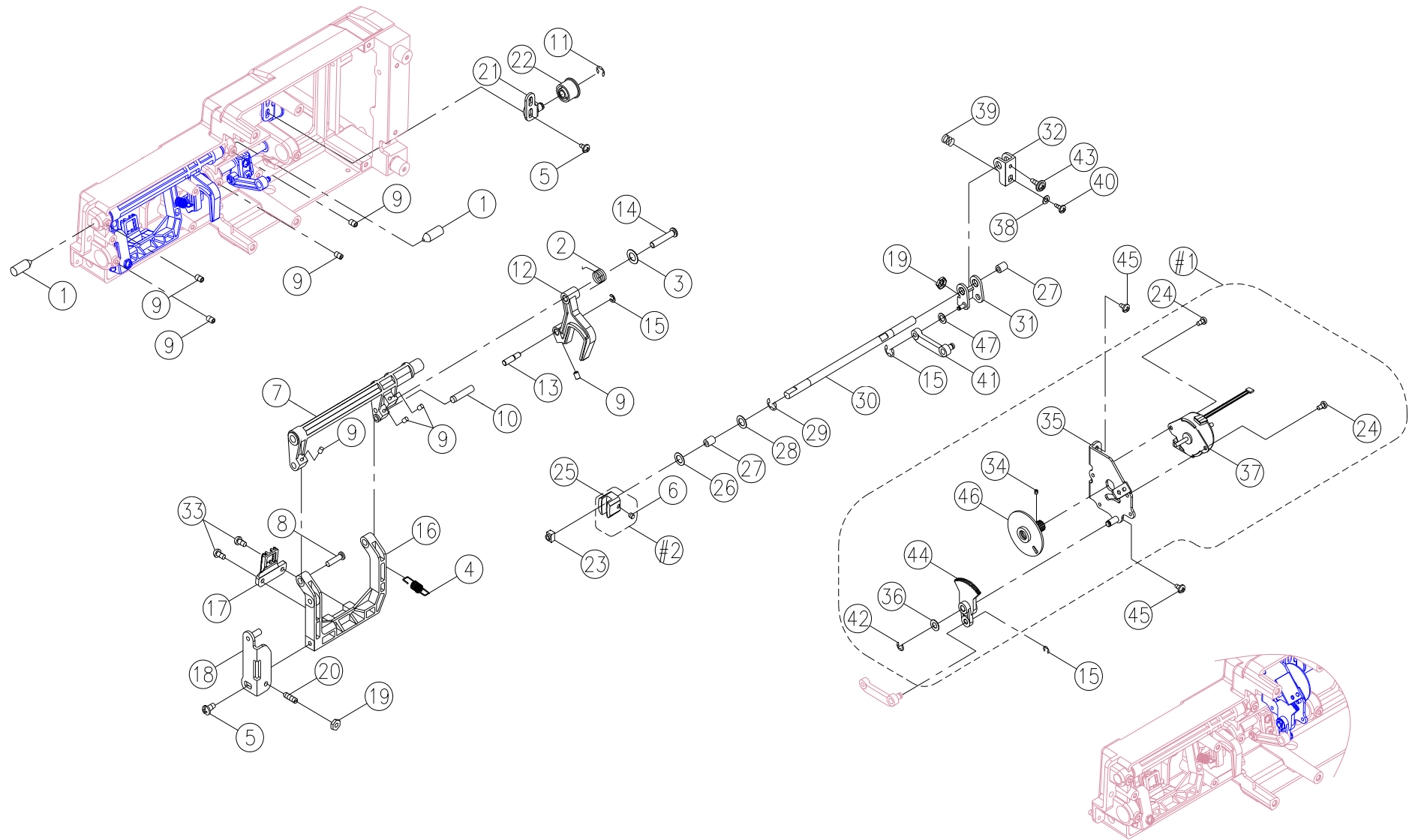


C. BH MECHANISM, NEEDLE PLATE COMPONENTS, THREAD TENSION MECHANISM

NO.	ITEM NO.	NAME	REMARK
1	H2A0033004	NEEDLE PLATE	
2	NB0233000	NEEDLE PLATE COVER OPEN	
3	V630593000	THREAD CUTTER	
4	H2AA013000	NEEDLE PLATE SUPPORTER	
5	E1A2603000	NEEDLE PLATE SPRING	
6	0042200016	SET SCREW (M2x3)	
7	H2A0053000	NEEDLE PLATE COVER	
8	004240851	SET SCREW (M4x6)	
9	E1A0593002	ROTARY HOOK PLATE	
10	004240056	SET SCREW (M4x6 B)	
11	E1A0603002	ROTARY HOOK PLATE (2)	
12	F30893000	ROTARY HOOK PLATE SPRING (2)	
13	F30883000	ROTARY HOOK PLATE SPRING (1)	
14	004220056	SET SCREW (M2x2.5)	
15	H1A0273006	BH LEVER PLATE	
16	P3C0203209	BH MOVEMENT CRANK	
17	004230016	SET SCREW (M3x6 A)	
18	H7A0425000	BH LEVER CRANK	
19	E1A1483003	BH SPRING PLATE	
20	CFA1053000	BH LEVER CRANK SPRING	
21	004230056	SET SCREW (M3x5 B)	
22	H7A0413003	PHOTO PLATE	
23	004300713	WASHER (5.2X10X0.2)	
24	003010036	E-RING (ETW-3)	
25	P3C0183002	BH LEVER	
26	H1AA023209	BH LEVER BUTTON	
27	004240106	SET SCREW (M4x8 A)	
28	008CAA0010	PHOTO SENSOR PLATE	
29	006084009	BOBBIN	
30	004230702	SET SCREW (M3x5 A)	
31	004230082	SET SCREW (M3x6 B)	
32	H1E0203000	LED HOLDER	

NO.	ITEM NO.	NAME	REMARK
33	004231016	SET SCREW (M3x5)	
34	008CFA0015	LED LIGHT LAMP	
35	008H1A0019	LED LAMP LINE	
36	H1ED033209	DIAL TENSION KNOB	
37	004500360	WASHER (WW-5)	
38	K50193000	DIAL TENSION REGULATOR	
39	K6B0193006	DIAL TENSION SPRING PLATE	
40	K50183003	DIAL TENSION SPRING	
41	H1E0073209	DIAL TENSION SUPPORTER PLATE COVER	
42	004240982	SET SCREW (M4)	
43	004300926	WASHER (4.1x8x1)	
44	P3A1353001	THREAD GUIDE	
45	004240146	SET SCREW (M4x15 B)	
46	004240176	SET SCREW (M4x6)	
47	V60303000	THREAD GUIDE SPRING	
48	003020053	CS RING (CS-5)	
49	K6B0183002	DIAL TENSION SUPPORTER PLATE	
50	H1A1383003	DIAL TENSION WAFT PLATE	
51	003010043	E-RING (ETW-4)	
52	003043010	PIN (3x10x0.6)	
53	004300643	WASHER (5.2x10x0.5)	
54	H11103001	DIAL TENSION GUIDE SPRING TUBE	
55	J30423001	DIAL TENSION DISC (1)	
56	E1A2333001	DIAL TENSION DISC	
57	R10593000	DIAL TENSION SPRING REGULATOR	
58	Q6A0764000	SHUTTLE HOOK COMPLETE	
59	004300096	WASHER (4x8x0.5)	
60	D3B1293003	PULSE SUPPORT SPRING	
61	004230596	SET SCREW (M3x16)	
#1	008H1B0006	LED LIGHT LAMP COMPLETE	

D. FEED MECHANISM



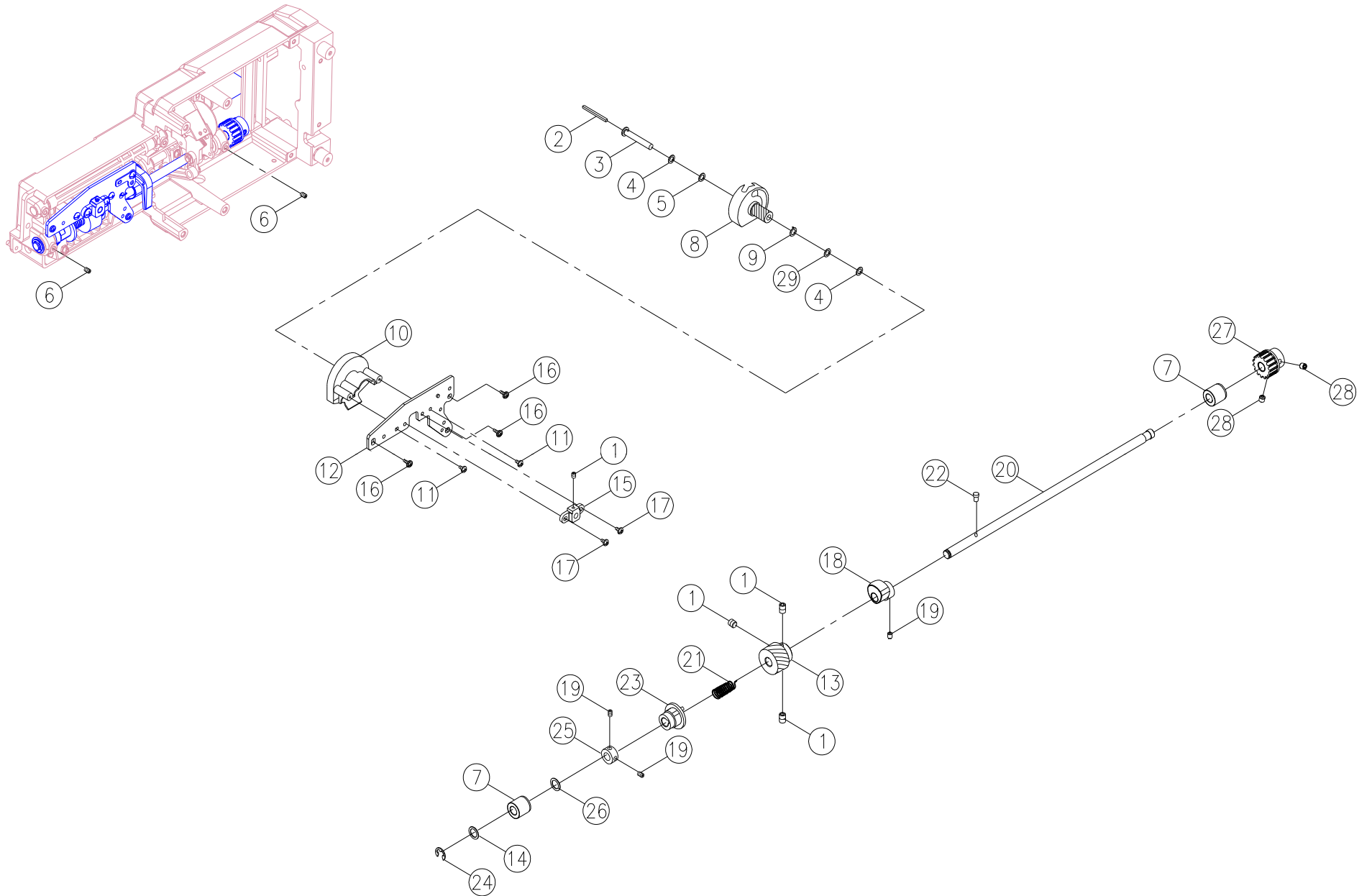
D. FEED MECHANISM

NO.	ITEM NO.	NAME	REMARK
1	P3A0613000	FEED CRANK SHAFT	
2	P3A0933003	FEED ROCK CRANK SPRING	
3	004300733	WASHER (5.2×12×1)	
4	H1G0443003	FEED DOG SPRING	
5	004240106	SET SCREW (M4×8 A)	
6	004240503	SET SCREW (M4×4)	
7	P3A0513000	FEED ROCK SHAFT	
8	P3A0533003	FEED DOG SHAFT	
9	004240223	SET SCREW (M4×6)	
10	E1A0403000	FEED ROCK FRAME SHAFT (2)	
11	003010043	E-RING (ETW-4)	
12	P3A0573000	FEED ROCK CRANK	
13	P3A0593000	REGULATING BLOCK SHAFT	
14	P3A0583003	FEED ROCK SHAFT	
15	003010036	E-RING (ETW-3)	
16	P3A0523000	FEED DOG SUPPORTER	
17	H1A0363000	FEED DOG	
18	P3A0553002	FEED LIFTING ROCK CRANK	
19	004840106	ADJUSTING NUT (ALN-4)	
20	004241093	SET SCREW (M4×0.7 L9)	
21	H1A0433003	BELT ADJUSTING PLATE	
22	H1A0453000	BELT ADJUSTING PLATE PULLEY	
23	F31403000	FEED REGULATING BLOCK	
24	004230702	SET SCREW (M3×5 A)	
25	F31393000	FEED REGULATING	
26	004400570	ENDURE ATTRITION WASHER (6.7×11.8×0.5)	
27	R11443000	FEED ROCK BUSHING	
28	004300123	WASHER (6.7×12×1)	
29	003011052	E-RING (ETW-5)	
30	H1A0203000	FEED REGULATING SHAFT	
31	D3A0273003	FEED REGULATING CRANK	
32	CAA1733000	FEED CRANK	

PREFISSO "Zs" PREFISSO "Zs" PREFISSO "Zs"

NO.	ITEM NO.	NAME	REMARK
33	004235016	SET SCREW (M3.5×0.6 L8)	
34	004230433	SET SCREW (M3×3)	
35	H1A1635000	PULSE SUPPORT PLATE	
36	004300643	WASHER (5.2×10×0.5)	
37	001H1C0001	PULSE MOTOR COMPLETE	
38	004300136	WASHER (4.2×8×0.8)	
39	D1E0783003	FEED REGULATING CRANK SPRING	
40	004241202	SET SCREW	
41	D3A0943000	FEED ROCK ROD	
42	003010046	E-RING (ETW-4)	
43	004230776	SET SCREW (M3×12)	
44	P3C0243000	FEED ROCK CRANK GEAR	
45	004230016	SET SCREW (M3×6 A)	
46	R1A1394000	PULSE MOTOR GEAR COMPLETE	
47	004300986	WASHER (4.2×10×0.5)	
#1	H2A0274000	PULSE SUPPORT PLATE COMPLETE	
#2	D3A1674000	FEED REGULATING COMPLETE	

E. HOOK & LOWER SHAFT COMPONENTS

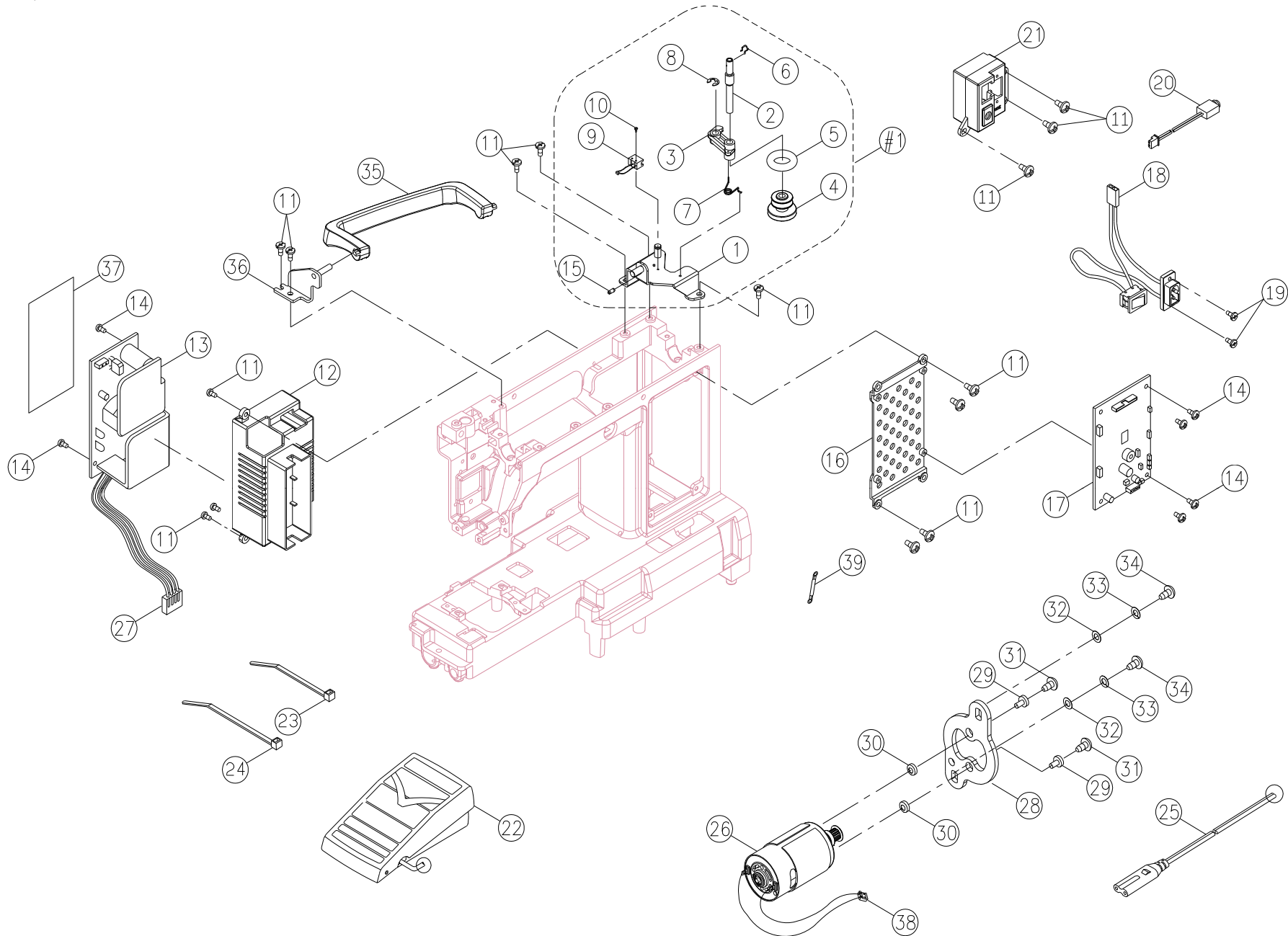


E. HOOK & LOWER SHAFT COMPONENTS

NO.	ITEM NO.	NAME	REMARK
1	004240033	SET SCREW (M4×5)	
2	NB0693000	BOBBIN SHAFT OIL CLOTH	
3	E1A2033000	BOBBIN SHAFT	
4	NB0673000	BOBBIN SHAFT WASHER (2)	
5	004400840	ENDURE ATTRITION WASHER (6.2x9.6x0.5)	
6	004240223	SET SCREW (M4×6)	
7	E1A0283000	LOWER SHAFT BUSHING	
8	Q6A0704000	SHUTTLE HOOK HOLDER	
9	NB0683000	BOBBIN SHAFT WASHER (3)	
10	E1A0563582	SHUTTLE HOOK COVER	
11	004230066	SET SCREW (M3×12)	
12	H1A0383006	ROTARY HOOK HOLDER	
13	P3A1133000	LOWER SHAFT GEAR	
14	004300936	WASHER (8.2×12×0.5)	
15	E1A0543000	ROTARY HOOK SUPPORTER	
16	004240586	SET SCREW (M4×8)	
17	004240106	SET SCREW (M4×8 A)	
18	H1A1503000	FEED ROCK CAM	
19	004240503	SET SCREW (M4×4)	
20	H1A0133000	LOWER SHAFT	
21	P3A0443003	LOWER SHAFT SPRING	
22	P3A0433003	FEED LIFTING ROCK COM PIN	
23	P3A0423000	FEED LIFTING ROCK CAM	
24	003010063	E-RING (ETW-6)	
25	V11553003	LOWER SHAFT COLLAR	
26	004400830	ENDURE ATTRITION WASHER (8.2×12×0.5)	
27	H1A0463000	LOWER SHAFT BELT PULLEY	
28	004250203	SET SCREW (M5×5)	
29	0044000200	ENDURE ATTRITION WASHER	

PREFISSO "Zs" PREFISSO "Zs"

F. MOTOR, POWER SUPPLY & ELECTRONIC PARTS

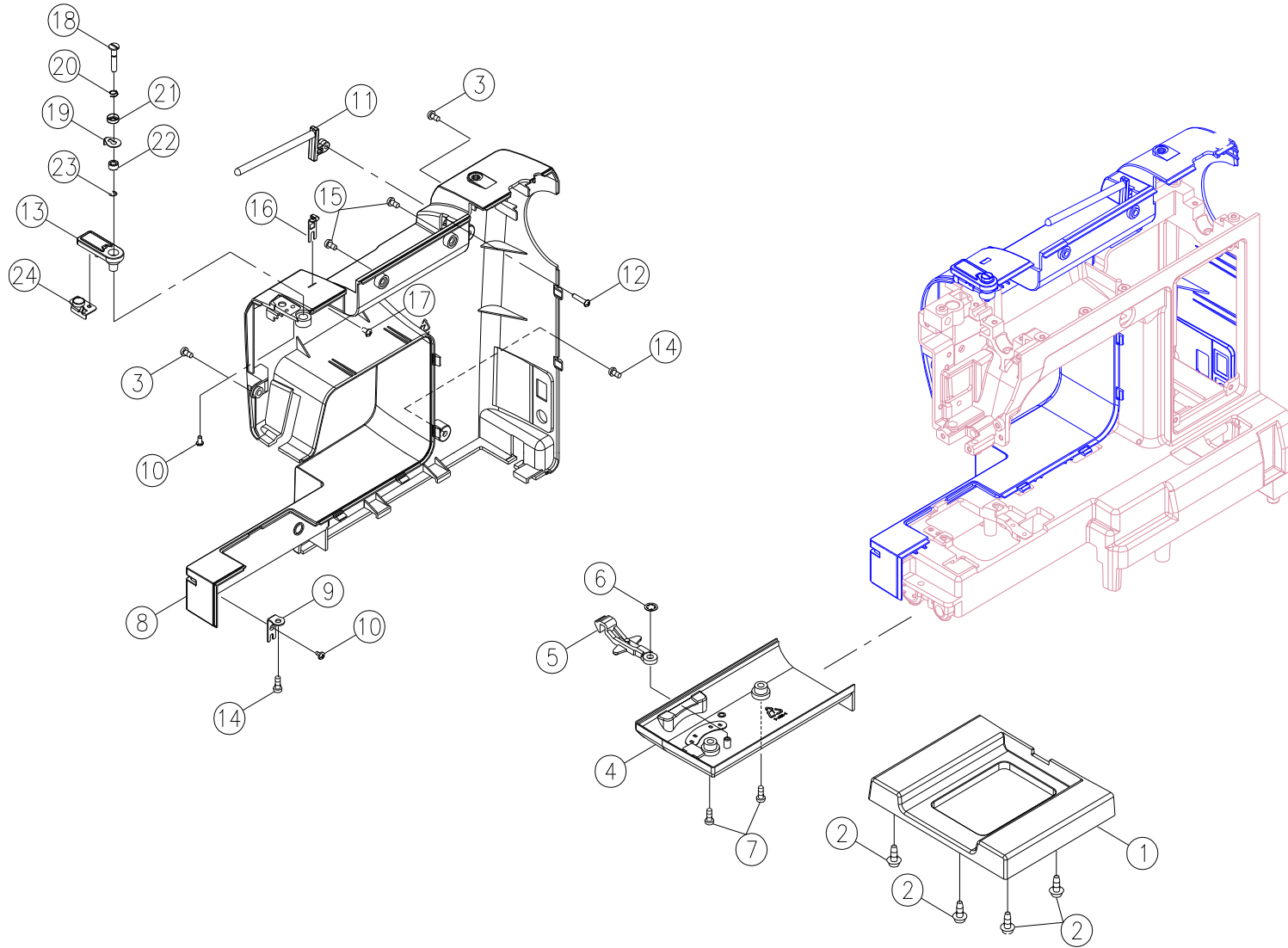


F. MOTOR, POWER SUPPLY & ELECTRONIC PARTS

NO.	ITEM NO.	NAME	REMARK
1	H1A0245006	BOBBIN WINDER PLATE	
2	K6B0603001	BOBBIN WINDER CRANK	
3	K6A0563000	BOBBIN WINDER CRANK	
4	D5A0633000	BOBBIN WINDER PULLEY	
5	F20213000	BOBBIN WINDER RUBBER PULLEY	
6	F20193000	BOBBIN WINDER CRANK SPRING	
7	K6A0573003	BOBBIN WINDER CRANK SPRING	
8	003010053	E-RING (ETW-5)	
9	008CAA0011	MICRO SWITCH	
10	004220112	SET SCREW (M2x0.4x7.5)	
11	004240106	SET SCREW (M4x8 A)	
12	H1A0533000	HF TRANSFORMER BOX	
13	008CFA0022	HF TRANSFORMER COMPLETE	
14	004230216	SET SCREW (M3x8.5)	
15	003043008	SPRING PIN (3x8x0.6)	
16	H1A0543209	FRAME OF MAIN CIRCUIT BOARD	
17			
	008H3E0005	MAIN CIRCUIT BOARD	FOR H30E
	008H5E0005	MAIN CIRCUIT BOARD	FOR H50E
18			
	008CFA1003	SWITCH RECEPTACLE ASSY	

NO.	ITEM NO.	NAME	REMARK
18			
19	004230326	SET SCREW (M3x12B)	
20	008CFA0007	CONTROLLER RECEPTACLE	FOR 100V/230V
21	H1E0153000	RECEPTACLE HOLDER	
22	002H1E0001-01	FOOT CONTROLLER (C-9000)	
23	002030129	CORD CLIP(L=12)	
24	002549129	CORD CLIP(L=20)	
25			
	002542118	POWER CORD	FOR 230V
26	001CAA0002	DC MOTOR COMPLETE	
27	008CGA0002	HF TRANSFORMER WIRE	
28	H1A0303006	MOTOR BRACKET	
29	P3C0443000	INSULATION SPACER	
30	P3C0453000	INSULATION SPACER	
31	004230536	SET SCREW (M3x10)	
32	004300306	WASHER (5.4x10x0.9)	
33	004600296	SPRING WASHER (5.1x9.2x1.3)	
34	004250086	SET SCREW (M5x12)	
35	H1E0063209	HANDLE	
36	V62033006	ARM TOP COVER PLATE COMPLETE	
37	008H1A0027	SMPS INSULATING SLICE	
38	008H1A0080	DC MOTOR LEAD CORD	
39	008CFA0020	GROUND CONNECTION	
#1	H1C0144000	BOBBIN WINDER COMPLETE	

G. FREE ARM BASE COMPONENTS, BACK COVER COMPONENTS

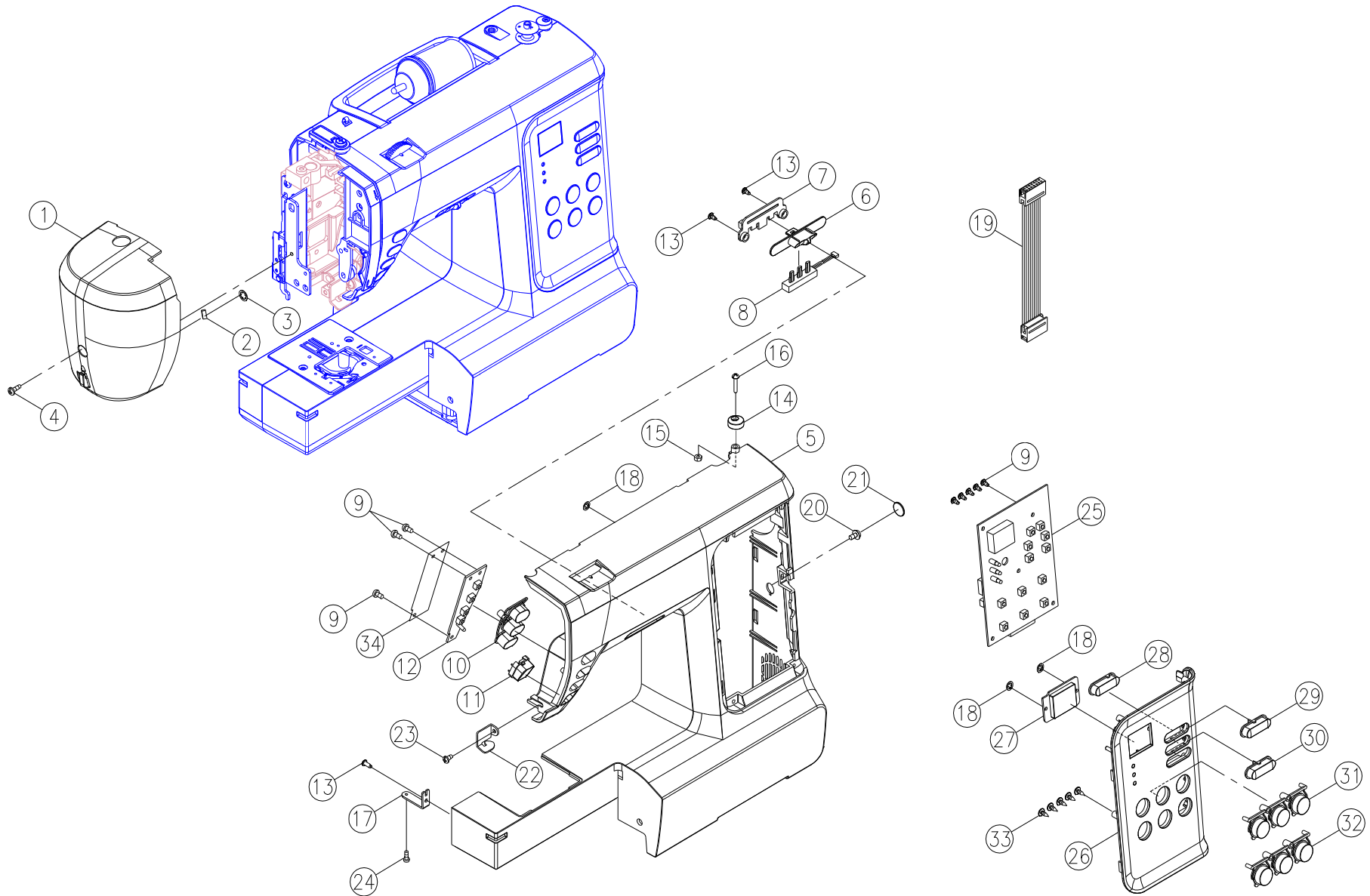


G. FREE ARM BASE COMPONENTS, BACK COVER COMPONENTS

NO.	ITEM NO.	NAME	REMARK
1	H1A1393209	FREE ARM FOOT BUSH	
2	004230216	SET SCREW (M3×8.5)	
3	004240106	SET SCREW (M4×8 A)	
4	H3BA063209	FREE ARM BASE	
5	H3B0703000	TOOTH LEVER ARM	
6	003020053	CS-RING (CS-5)	
7	004240136	SET SCREW (M4×12 B)	
8	H1EB043209	BACK COVER	
9	E1A1673002	ARM BACK COVER SET PLATE	
10	004230086	SET SCREW (M3×6 B)	
11	V610443209	SPOOL ROD	
12	004230646	SET SCREW (M3×16.7 B)	
13	P3A1483209	BOBBIN WINDER THREAD GUIDE DISC	
14	004240056	SET SCREW (M4×6 B)	
15	004240526	SET SCREW (M4×12 B)	
16	H1B0603001	THREAD GUIDE	
17	004230842	SET SCREW (M3×8)	
18	P3A1503001	BOBBIN WINDER THREAD GUIDE ADJUSTING	
19	P3A1513001	BOBBIN WINDER THREAD GUIDE	
20	P3A1533001	BOBBIN WINDER THREAD GUIDE SPRING	
21	P3A1463001	BOBBIN WINDER SPRING DISC	
22	P3A1523006	SPACER	
23	003010036	E-RING (ETW-3)	
24	V6E0395000	THREAD GUIDE COMPLETE	

PREFISSO "ZS" PREFISSO "ZS" PREFISSO "ZS" PREFISSO "ZS" PREFISSO "ZS" PREFISSO "ZS"

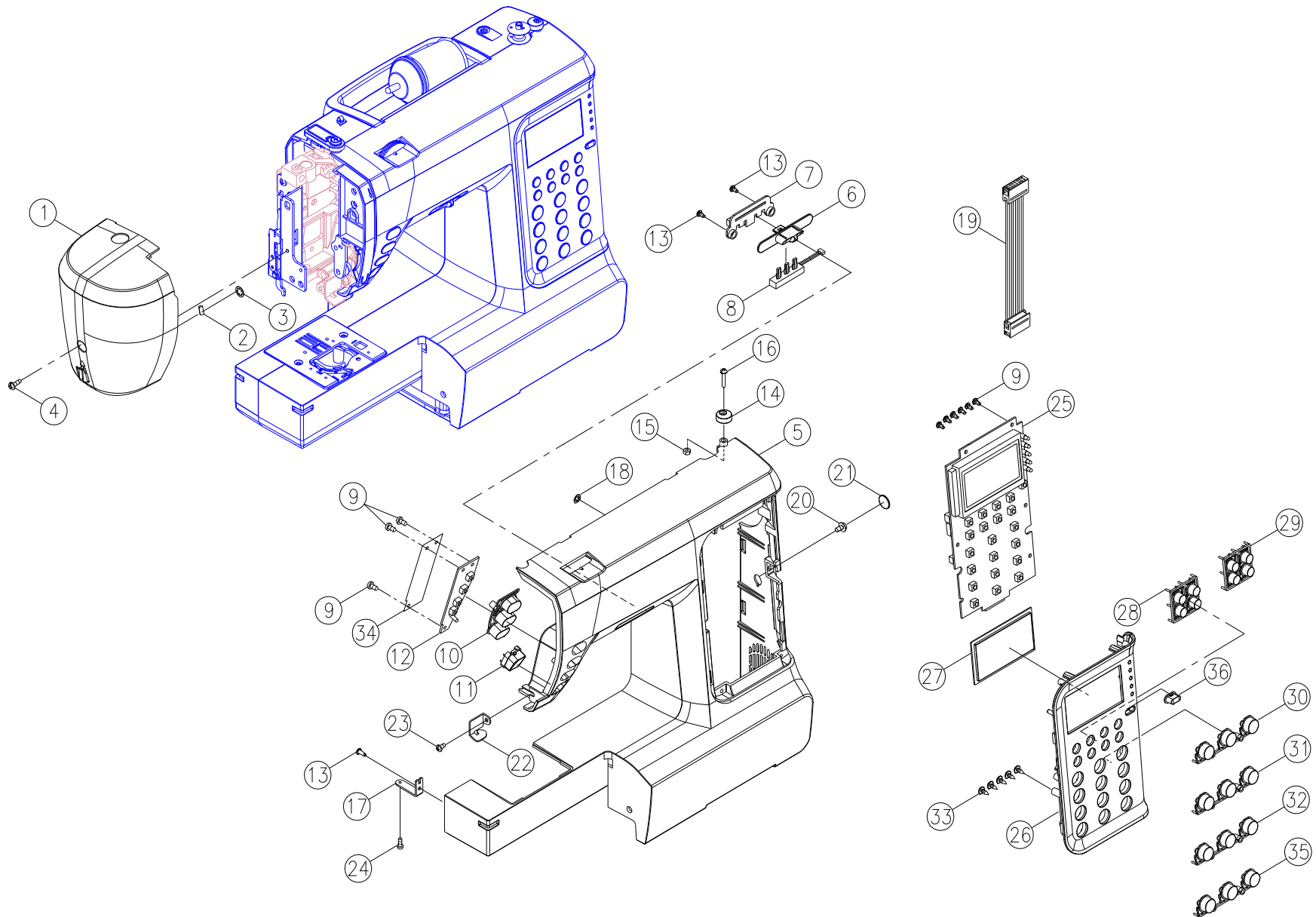
H. FRONT COVER COMPONENTS, FACE COVER COMPONENTS (FOR H30E)



H. FRONT COVER COMPONENTS, FACE COVER COMPONENTS (FOR H30E)

NO.	ITEM NO.	NAME	REMARK	NO.	ITEM NO.	NAME	REMARK
1	H1EF043209	FACE PLATE		31	H3EN313209	FUNCTION SELECT KEY	
				32	H3EN323209	FUNCTION SELECT KEY	
2	V630593000	THREAD CUTTER		33	004230786	SET SCREW (M3×7)	
3	003020053	CS RING (CS-5)		34	008H1E0009	INSULATING SLICE	
4	004241061	SET SCREW (M4×12 A)					
5	H3EC133209	FRONT COVER					
6	H1E0143209	SLIDE VOLUME LEVER					
7	H1A1223209	SLIDE VOLUME KNOB CONNECTOR					
8	008H1E0006	SLIDE VOLUME					
9	004230086	SET SCREW (M3×6 B)					
10	H1EN453209	FUNCTION SELECT KEY					
11	H3EN273209	START/STOP PUSH BUTTON					
12	008H2E0003	KEY PLATE					
13	004230126	SET SCREW (M3×8 B)					
14	K6B0393000	BOBBIN WINDER STOPPER					
15	004706013	NUT (9/64×40 T=3)					
16	004106162	SET SCREW (9/64x40x16)					
17	E1A1623002	ARM FRONT COVER SET PLATE					
18	003020033	CS RING					
19	008H1E0003	ROW LINE					
20	004240586	SET SCREW (M4×8)					
21	E9R0803209	PLUG					
22	E1A1883001	ARM TOP COVER THREAD GUIDE PLATE					
23	004240106	SET SCREW (M4×8 A)					
24	004230216	SET SCREW (M3×8.5)					
25	008H3E0003	PATTERN SELECT PLATE					
26	H3EP213209	FRONT PLATE					
27	H3E0063433	LCD COVER					
28	H3EN283209	FUNCTION SELECT KEY					
29	H3EN293209	STITCH WIDTH/LENGTH BUTTON					
30	H3EN303209	STITCH WIDTH/LENGTH BUTTON					

H. FRONT COVER COMPONENTS, FACE COVER COMPONENTS (FOR H50E)



H. FRONT COVER COMPONENTS, FACE COVER COMPONENTS (FOR H50E)

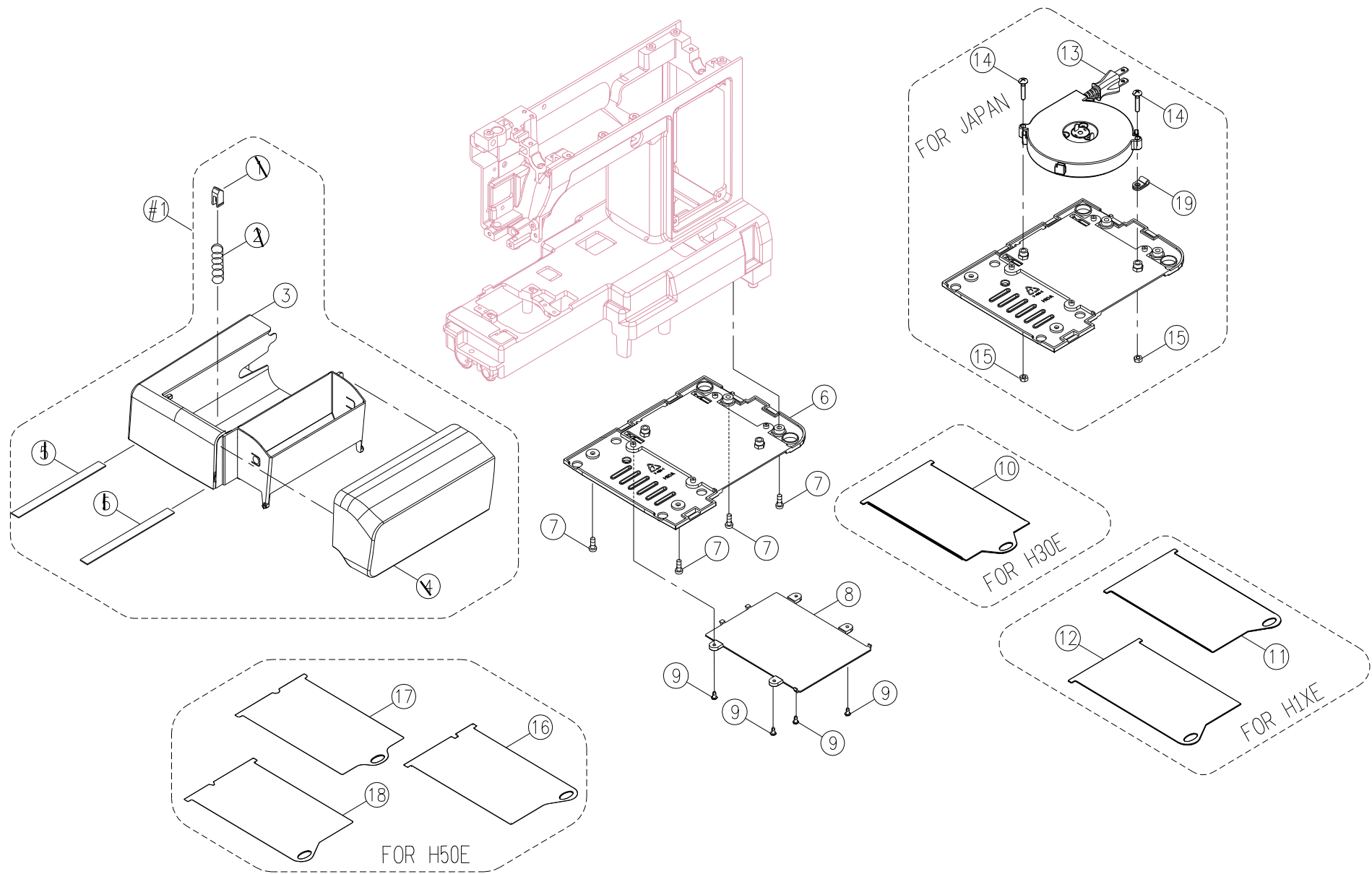
PREFISSO "ZS"
 PREFISSO "ZS"
 PREFISSO "ZS"

NO.	ITEM NO.	NAME	REMARK
1	H1EF043209	FACE PLATE	
2	V630593000	THREAD CUTTER	
3	003020053	CS RING (CS-5)	
4	004241061	SET SCREW (M4×12 A)	
5	H5EC103209	FRONT COVER	
6	H1E0143209	SLIDE VOLUME LEVER	
7	H1A1223209	SLIDE VOLUME KNOB CONNECTOR	
8	008H5E0004	SLIDE VOLUME	
9	004230086	SET SCREW (M3×6 B)	
10	H1EN453209	FUNCTION SELECT KEY	
11	H3EN273209	START/STOP PUSH BUTTON	
12	008H2E0003	KEY PLATE	
13	004230126	SET SCREW (M3×8 B)	
14	K6B0393000	BOBBIN WINDER STOPPER	
15	004706013	NUT (9/64×40 T=3)	
16	004106162	SET SCREW (9/64x40x16)	
17	E1A1623002	ARM FRONT COVER SET PLATE	
18	003020033	CS RING	
19	008H1E0003	ROW LINE	
20	004240586	SET SCREW (M4×8)	
21	E9R0803209	PLUG	
22	E1A1883001	ARM TOP COVER THREAD GUIDE PLATE	
23	004240106	SET SCREW (M4×8 A)	
24	004230216	SET SCREW (M3×8.5)	
25	008H5E0002	PATTERN SELECT PLATE	
26	H5EP213209	FRONT PLATE	
27	H5E0043031	LCD COVER	
28	H5EN183209	STITCH WIDTH/LENGTH BUTTON	
29	H5EN173209	STITCH WIDTH/LENGTH BUTTON	
30	H5EN193209	NUMERAL BUTTON (1/2/3)	
31	H5EN203209	NUMERAL BUTTON (4/5/6)	

PREFISSO "ZS"
 PREFISSO "ZS"

NO.	ITEM NO.	NAME	REMARK
32	H5EN213209	NUMERAL BUTTON (7/8/9)	
33	004230786	SET SCREW (M3×7)	
34	008H1E0009	INSULATING SLICE	
35	H5EN223209	NUMERAL BUTTON (0)	
36	H5E0033209	FUNCTION SELECT KEY	

I. SEWING TABLE COMPONENTS



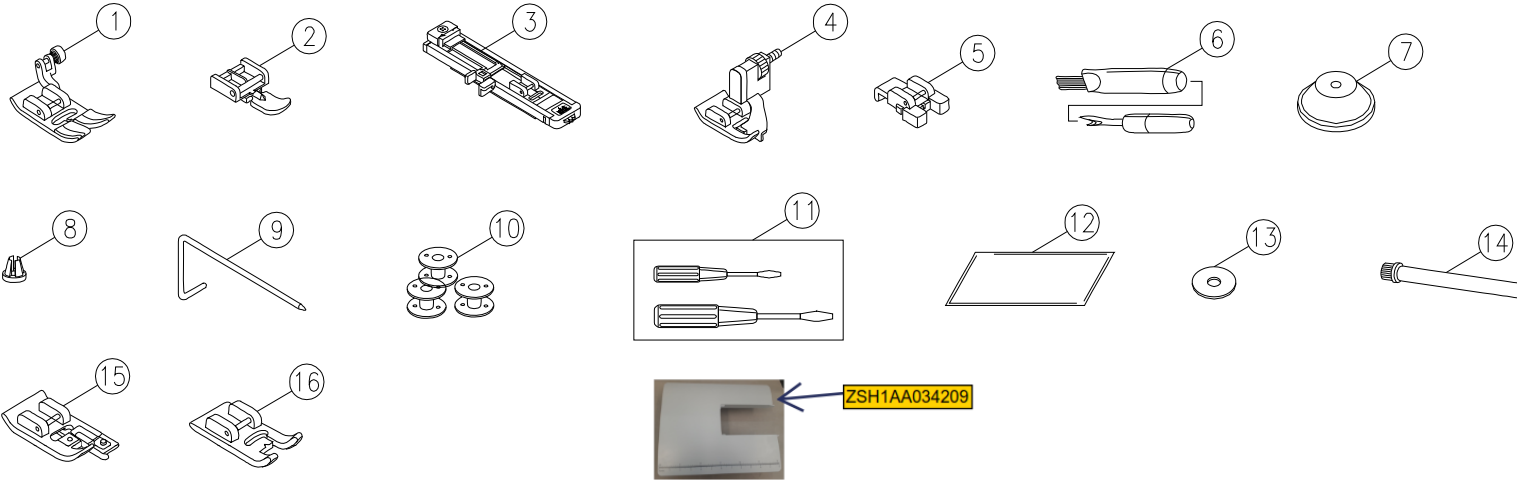
I. SEWING TABLE COMPONENTS

NO.	ITEM NO.	NAME	REMARK
1	H10133211	SEWING TABLE BODY GUIDE	
2	H10143003	SEWING TABLE BODY GUIDE SPRING	
3	H1E0103209	SEWING TABLE BODY	
4	H1E0113209	SEWING TABLE BODY COVER	
5	D6B0773000	SEWING TABLE BODY FELT	
6	H1A1423209	CORD REEL COVER	
7	004240106	SET SCREW (M4×8 A)	
8	H1A1453209	PATTERN COVER	
9	004230082	SET SCREW (M3×6 B)	
10	H3EP223209	PATTERN PLATE (MIDDLE)	FOR H30E
11			
12			
13			
14			
15			
16	H5EP183031	PATTERN PLATE (UP)	FOR H50E
17	H5EP193031	PATTERN PLATE (MIDDLE)	FOR H50E
18	H5EP203031	PATTERN PLATE (DOWN)	FOR H50E
19			
#1	H1E0114209	SEWING TABLE COMPLETE	

PREFISSO "ZS"
 PREFISSO "ZS"

J. ACCESSORIES

STANDARD ACCESSORIES



J. ACCESSORIES

STANDARD ACCESSORIES			
NO.	ITEM NO.	NAME	REMARK
1	006186008	ALL PURPOSE FOOT	
2	006905008	ZIPPER FOOT (I)	
3	006H1A0004	BUTTONHOLE FOOT	
4	006904008	BLIND HEM FOOT (F)	
5	006914008	BUTTON SEW ON FOOT	
6	006099008	BRUSH & SEAM RIPPER COMPLETE	
7	R12373209	SPOOL HOLDER (LARGE)	
8	TA10943209	SPOOL HOLDER (SMALL)	
9	006008001	SEAM GUIDE	
10	006084009	BOBBIN	
11	006012008	LARGE & SMALL SCREW DRIVE	
12	006K6A0003	NEEDLES	
13	006015009	FELT CUSHION	
14	R60033209	AUXILIARY SPOOL PIN	
15	006907008	OVERCASTTING FOOT (E)	
16	006172008	SATIN STITCH FOOT (A)	

PREFERRED "ZS" PREFERRED "ZS"

NOTE: WHEN YOU ORDER ANY SPARE PARTS FROM US,
PLEASE COOPERATE WITH US BY WRITING.

- (1) SECTION & SEQUENCE NO.
- (2) NAME OF PARTS
- (3) VOLTAGE, IF NECESSARY
- (4) OTHERS, IF ANY