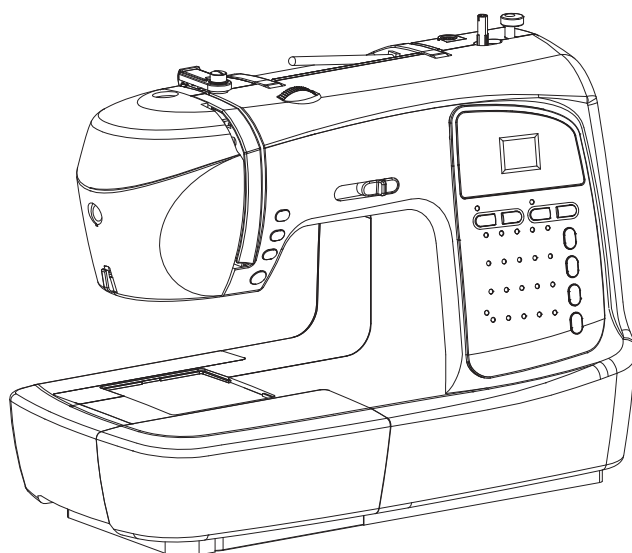


# Parts List



## H-Class 100Q



Please note that on disposal, this product must be safely recycled in accordance with relevant National legislation relating to electrical/electronic products. If in doubt please contact your retailer for guidance.



Bitte beachten Sie, dass hinsichtlich der Entsorgung dieses Produkts, vorschriftsmäßig entsprechend der gültigen nationalen Gesetzgebung für elektrische/elektronische Produkte, recycelt werden muss. Bei Zweifel setzen Sie sich bitte mit Ihrem Fachhändler in Verbindung.

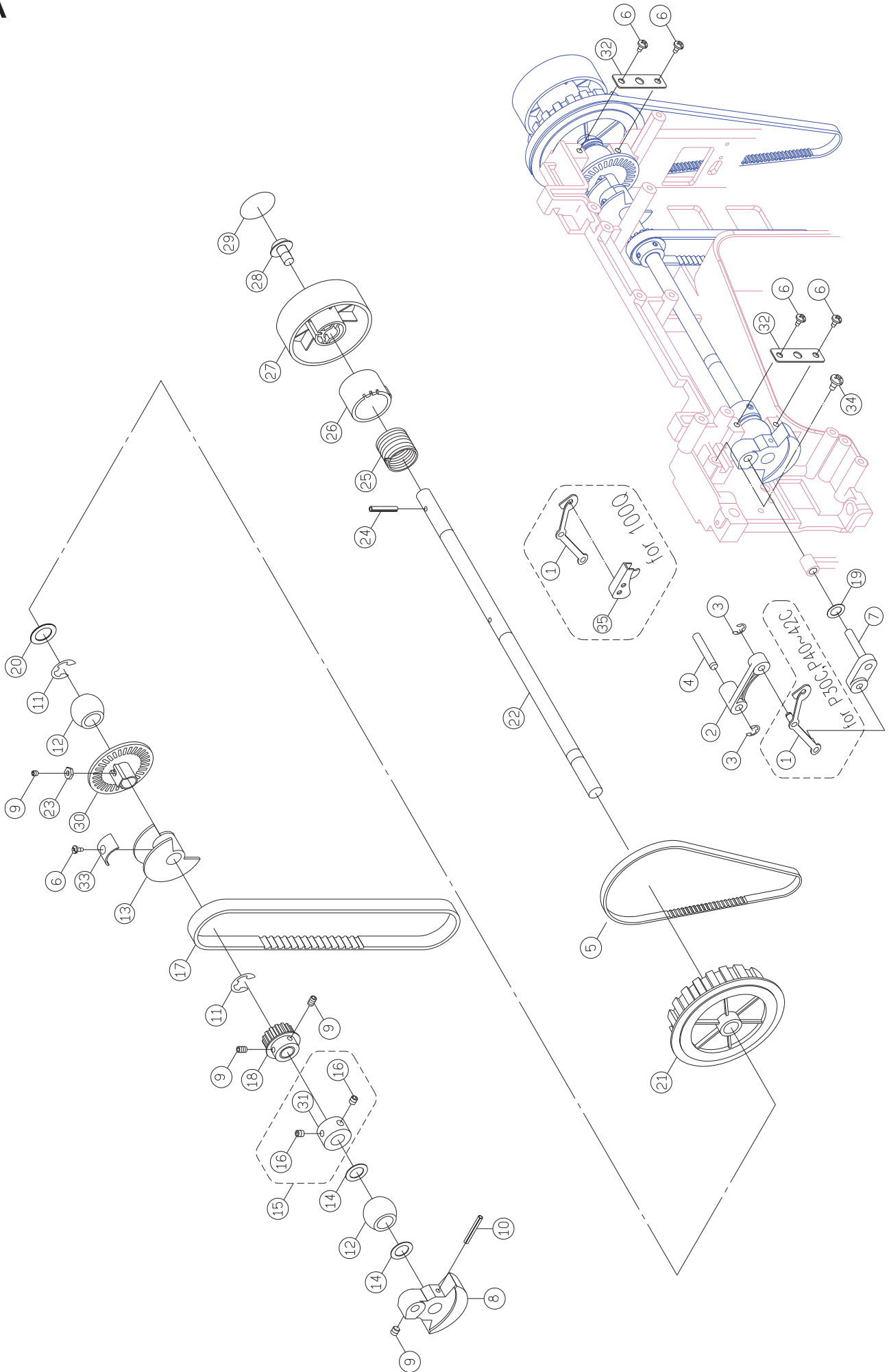


Veillez noter qu'en cas de destruction, ce produit doit bénéficier d'un recyclage sécurisé, conforme à la législation nationale applicable aux produits électriques/électroniques. En cas de doute, veuillez contacter votre distributeur agréé.

- All casted parts within our products are marked with name of material if allowed by size.
- All molded plastic parts within our products are marked with name of material if allowed by size.

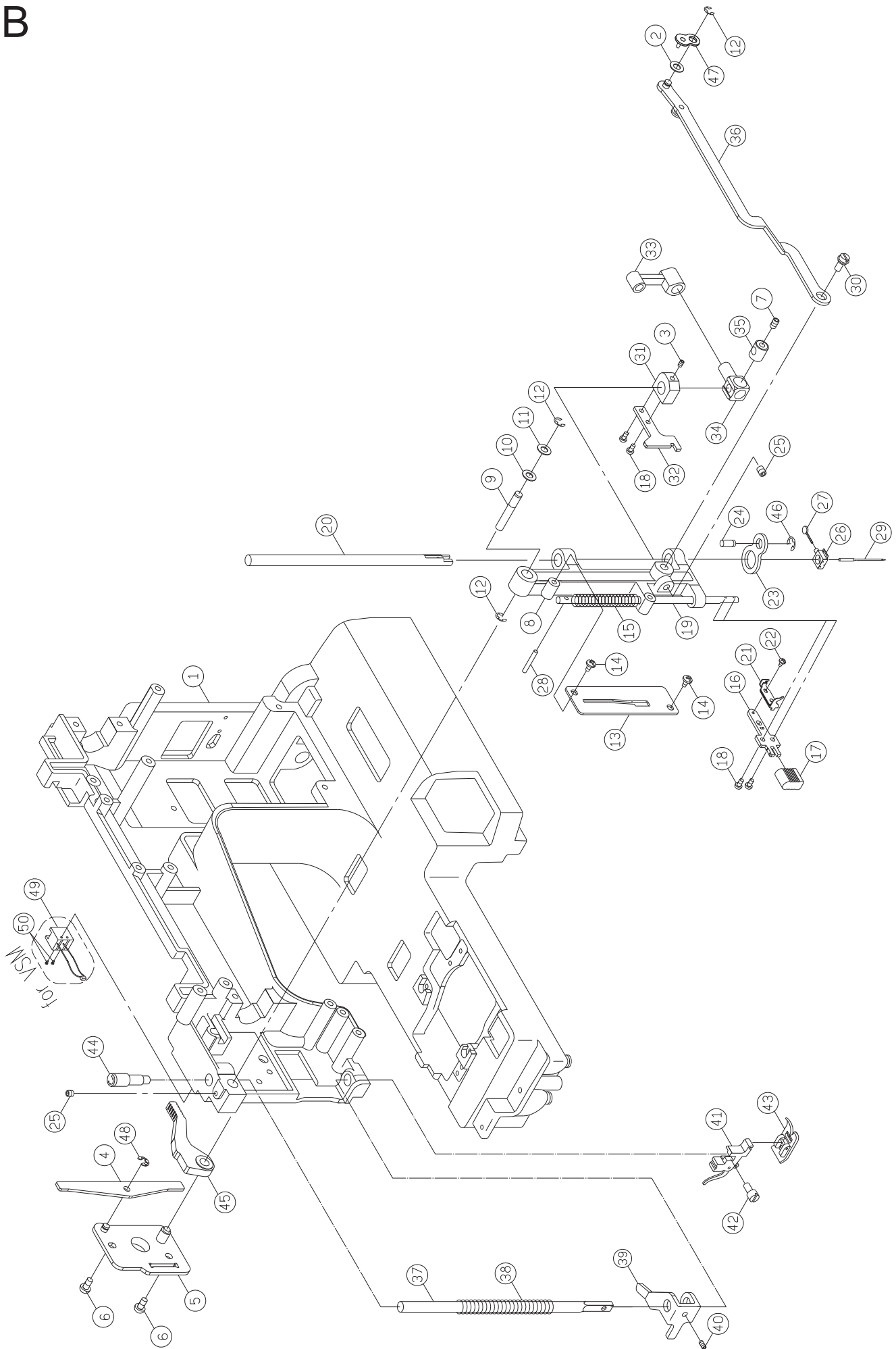


A

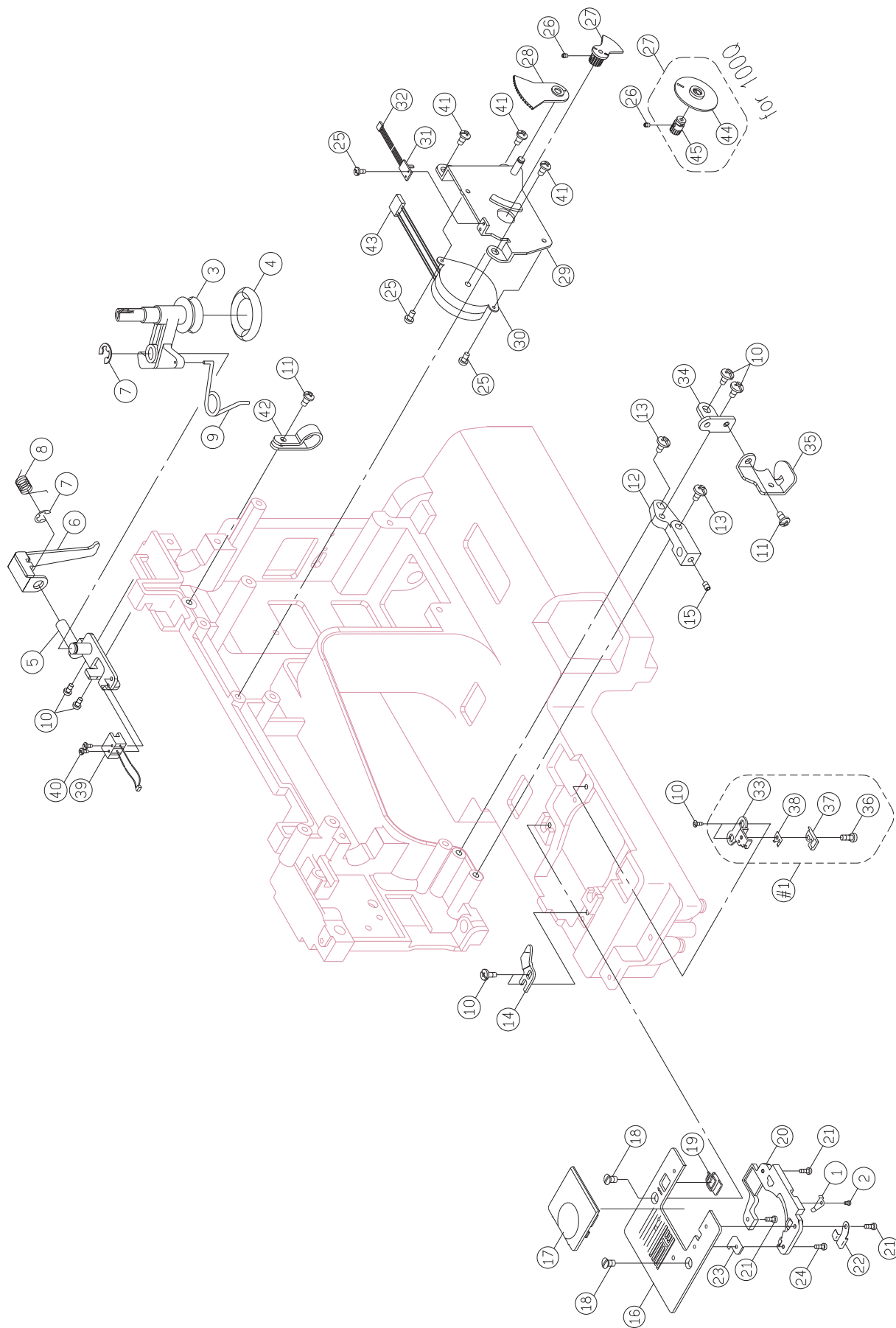


Pos	Part No	Description
1	N/S	THREAD TAKE UP LEVER
2	416157901	THREAD TAKE UP LEVER SUPPORTER
3	416116101	E-RING ( ETW-4 )
4	270 V60223003	THREAD TAKE UP LEVER SUPPORTER SHAFT
5	270 00749402M5	MOTOR DRIVE BELT
6	416121501	SET SCREW ( M4×8A )
7	416158001	ARM SHAFT BALANCE PIN COMPLETE
8	416201801	ARM SHAFT BALANCE
9	270 004240223	SET SCREW ( M4×6C )
10	270 003043524	ARM SHAFT BALANCE PIN ( $\phi$ 3.5×24 )
11	270 003010093	E-RING ( ETW-9 )
12	270 R10293000	ARM SHAFT BUSHING
13	270 D3A0033000	ROTARY SENSOR COLLAR
14	270 004400080	ENDURE ATTRITION WASHER
15	270 R10304000	ARM SHAFT COLLAR COMPLETE
16	270 004250203	SET SCREW ( M5×5C )
17	416187201	MOTOR DRIVE BELT XL (160XL03)
18	416150001	ARM SHAFT SPROCKET
19	270 0044000020	ENDURE ATTRITION WASHER
20	270 004300853	WASHER ( 10.2×15×0.5 )
21	416427801	ARM SHAFT DRIVE BELT PULLEY
22	416608801	ARM SHAFT
23	270 004840022	NUT(M4 T=3)
24	270 003043018	SPRING PIN ( $\phi$ 3×18 )
25	416156601	ARM SHAFT CLUTCH ANNULUS SPRING
26	416608901	ARM SHAFT COLLAR
27	416488501	HAND WHEEL
28	270 0042500016	SET SCREW ( M5×10 )
29	270 V16883209	HAND WHEEL DECORATED PLATE
30	416129601	REVOLUTION CONTROL PANEL
31	416156501	ARM SHAFT COLLAR
32	416609001	ARM SHAFT BUSHING HOLDER PLATE
33	270 D3A0043002	ARC WASHER
34	270 004241046	SET SCREW (M4×10A)
35		PLATE SPRING (FOR JAPAN)

# B

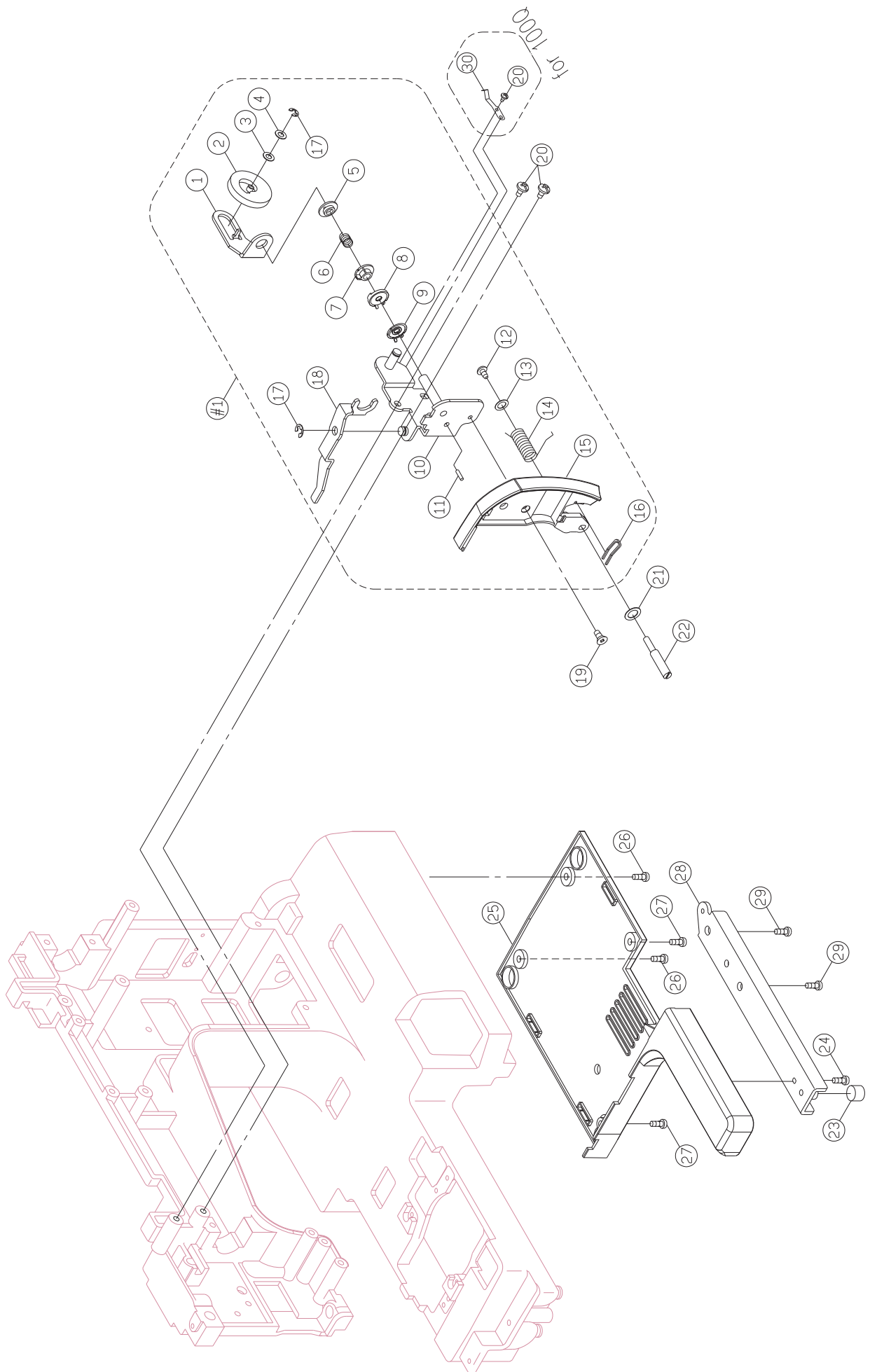


Pos	Part No	Description
1	N/S	ARM
2	416124801	WASHER (5.0X12X0.5)
3	416184601	SET SCREW (M3×4C)
4	416188501	TENSION LEVER LIFTER
5	416188501	CLAMP PLATE
6	416121501	SET SCREW (M4×8A)
7	416122401	SET SCREW (M4×4C)
8	416189201	NEEDLE BAR SUPPORTER
9	416189301	NEEDLE BAR SUPPORTER PIN
10	416186901	WASHER (WW-6)
11	416185801	WASHER (6.5×13×1)
12	270 003010046	E-RING (ETW-4)
13	416189801	THREADING GUIDE
14	416119201	SET SCREW (M3×6A)
15	270 P3A0253003	THREADING SHAFT SPRING
16	416190201	THREADING PLATE
17	416190301	THREADING BUTTON
18	416184401	SET SCREW (M2×4)
19	416189901	THREADING SHAFT
20	416189401	NEEDLE BAR
21	416190401	THREADING SHAFT COMPLETE
22	416184301	SET SCREW (M1.6×3)
23	416190601	NEEDLE BAR SUPPORTER
24	416141301	NEEDLE BAR SUPPORTER PLATE PIN
25	416121001	SET SCREW (M4×5C)
26	270 TA11033002	NEEDLE CLAMP
27	416150201	NEEDLE CLAMP SET SCREW
28	416184001	PIN (Ø2×14)
29		NEEDLE
30	416408701	NEEDLE BAR DRIVING ROD PIN
31	416189601	THREADING STOPPER
32	416189701	THREADING STOP HOLDER
33	416201701	NEEDLE BAR CRANK ROD
34	416151101	NEEDLE BAR BRACKET (1)
35	416151201	NEEDLE BAR BRACKET (2)
36	416609101	NEEDLE BAR DRIVING ROD
37	416609201	PRESSER BAR
38	416609301	PRESSER BAR SPRING
39	416189001	PRESSER BAR BRACKET
40	416122101	SET SCREW (M4×6C)
41	416304001	SHANK COMPLETE
42	416609401	SET SCREW
43	416488601	ZIGZAG PRESSER FOOT COMPLETE
44	416609501	PRESSER BAR REGULATING SCREW COMPLETE
45	416188801	PRESSER BAR LIFTER LEVER
46	416116101	RING (ETW-4)
47	270 P3C0123002	NEEDLE BAR DRIVING ROD PLATE
48	416116001	RING (ETW-3)
49	416609601	PRESSER BAR LEVER MICRO SWITCH
50	416609701	SET SCREW (M2x10B)

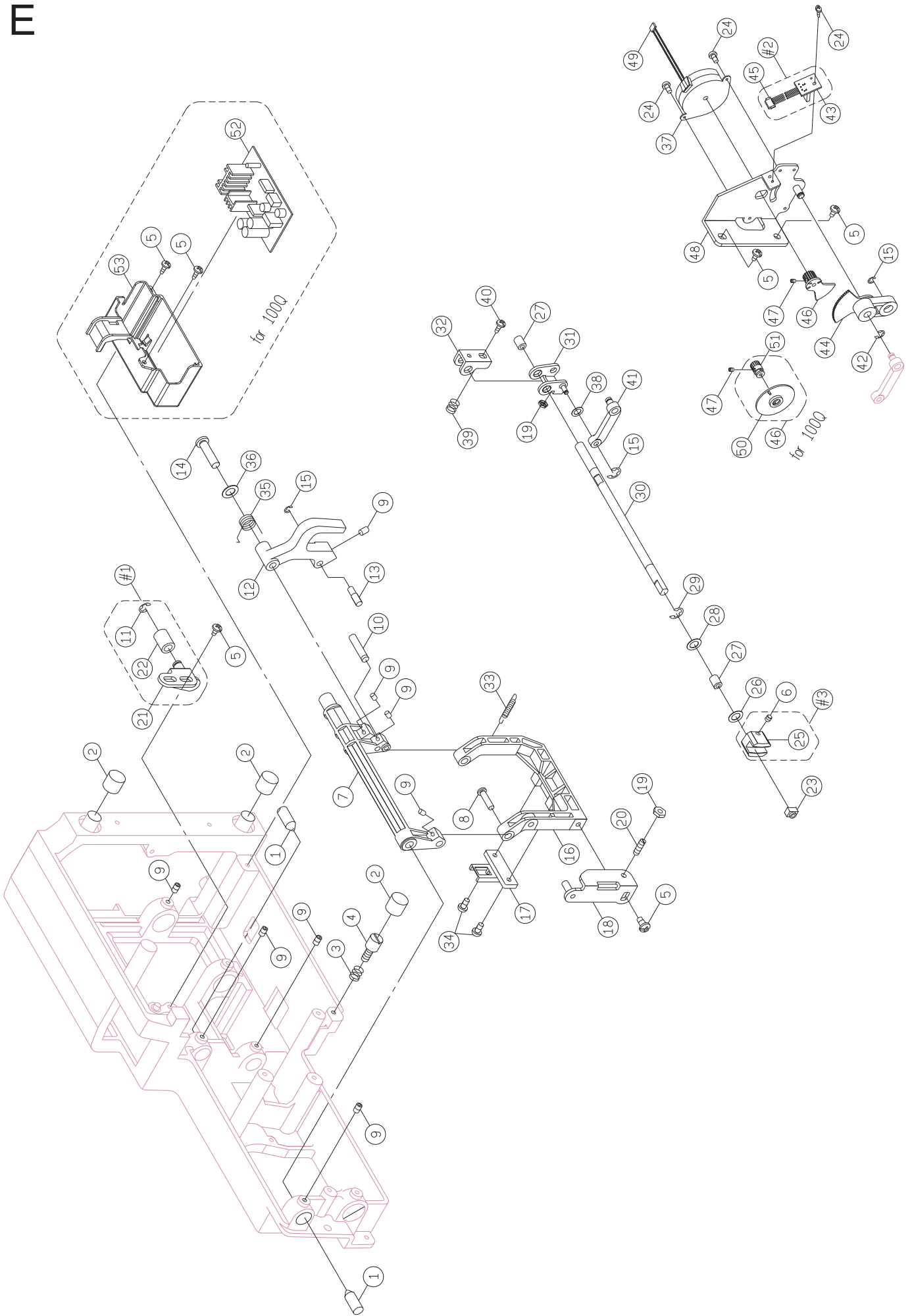




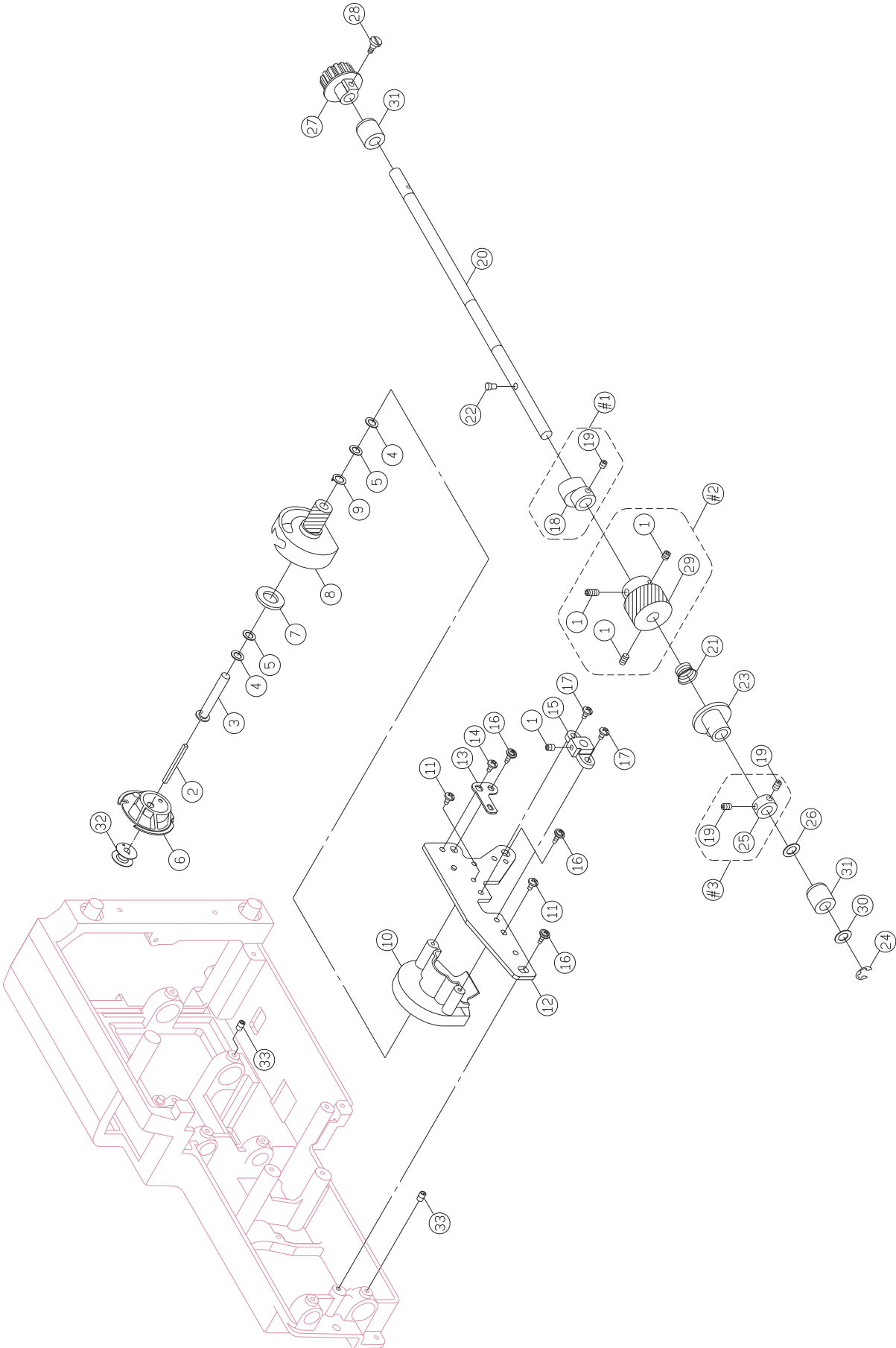
Pos	Part No	Description
1	416315101	NEEDLE PLATE COVER SPRING
2	270 004225106	SET SCREW ( M2.5×3 )
3	416169701	BOBBIN WINDER CRANK COMPLETE
4	416149201	BOBBIN WINDER RUBBER PULLEY
5	416608201	BOBBIN WINDER FRAME PLATE
6	416197501	CLUTCH ROD
7	416116301	E-RING (ETW-5)
8	N/S	CLUTCH ROD SPRING
9	416171201	BOBBIN WINDER CRANK SPRING
10	416121201	SET SCREW (M4×6 B)
11	416121501	SET SCREW (M4×8 A)
12	416190501	NEEDLE BAR SUPPORTER PLATE
13	416121101	SET SCREW (M4×10 B)
14	416144001	ROTARY HOOK PLATE
15	416122401	SET SCREW (M4×4 C)
16	416190901	NEEDLE PLATE
17	416156101	NEEDLE PLATE COVER
18	416122901	SET SCREW (M4×6)
19	416155201	NEEDLE PLATE COVER OPEN
20	416147401	NEEDLE PLATE SUPPORTER
21	416182901	SET SCREW (SM3/32×56 L3)
22	416147501	NEEDLE PLATE SPRING
23	416315001	NEEDLE PLATE COVER PLATE
24	416184101	SET SCREW (SM3/32×56 L=5)
25	416120601	SET SCREW (M5X0.5 L=5)
26	416120001	SET SCREW ( M3×3 C )
27	270 R1A1394000	PULSE MOTOR GEAR COMPLETE
28	416608301	ZIGZAG CRANK GEAR
29	416608401	ZIGZAG PULSE MOTOR PLATE
30	416642701	PULSE MOTOR COMPLETE
31	270 008P4C0007	PHOTO SENSOR PLATE (ZIGZAG)
32	270 002D5A0005	ZIGZAG WIRE
33	416144101	ROTARY HOOK PLATE (2)
34	416190801	TENSION PLATE
35	416190701	THREAD GUIDE PLATE
36	416119001	SET SCREW (M2×2.5)
37	416149801	ROTARY HOOK PLATE SPRING (1)
38	416149901	ROTARY HOOK PLATE SPRING (2)
39	270 008P4C0016	MICRO SWITCH
40	416119101	SET SCREW (M2×7.5)
41	270 004241106	SET SCREW (M4×25A)
42	416608501	CORD HOLDER (HW-5/16)
43	270 002P4C0006	ZIGZAG PULSE MOTOR LEAD CORD
44	416668401	PULSE MOTOR GEAR SPACER
45	416668401	PULSE MOTOR GEAR
#1	416143901	ROTARY HOOK PLATE COMPLETE



Pos	Part No	Description
1	416198401	DIAL TENSION SPRING PLATE
2	416488701	DIAL TENSION KNOB
3	416126001	WASHER ( WW-5 )
4	416124501	WASHER ( 5.2×10×0.5 )
5	416158101	DIAL TENSION REGULATOR
6	416155901	DIAL TENSION SPRING
7	416156701	DIAL TENSION SPRING REGULATOR
8	416153601	DIAL TENSION DISC (1)
9	416146301	DIAL TENSION DISC
10	416198301	DIAL TENSION SUPPORTER PLATE
11	416117501	SPRING PIN ( $\phi$ 3×10×0.6 )
12	270 004230216	SET SCREW ( M3×8.5 )
13	416186701	WASHER (3.2×10.5×0.5)
14	416198601	THREAD TAKE SPRING
15	416488801	DIAL TENSION SUPPORTER PLATE COVER
16	416198701	THREAD GUIDE
17	416116101	E-RING ( ETW-4 )
18	416198501	DIAL TENSION WAFT PLATE
19	416184501	SET SCREW (M3×6 D)
20	416121201	SET SCREW (M4×6 B)
21	270 004300926	WASHER ( 4.1×8×1 )
22	270 004240982	SET SCREW (M4)
23	416152901	FREE ARM BASE CUSHION RUBBER
24	416184801	SET SCREW ( M3×8 )
25	416200001	FREE ARM FOOT BUSH
26	416121501	SET SCREW (M4×8 A)
27	416185201	SET SCREW (M4×10)
28	416609801	FREE ARM FOOT
29	416185701	SET SCREW (M6×10 B)
30	416609901	DIAL TENSION KNOB PLATE
#1	416610001	DIAL TENSION COMPLETE

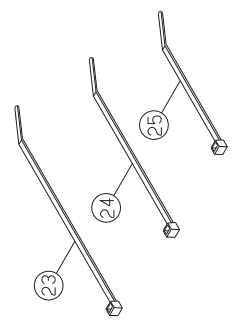
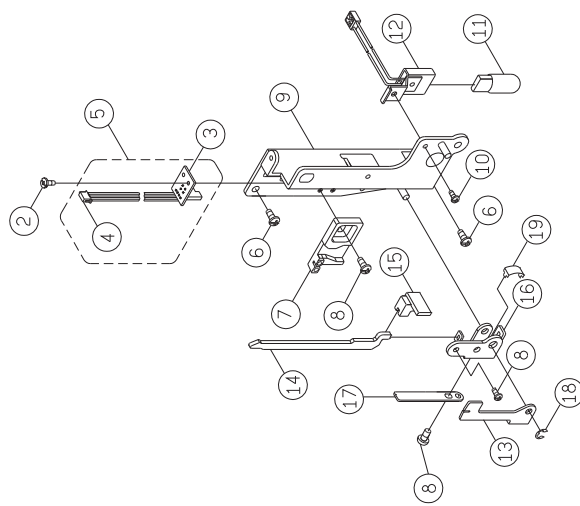
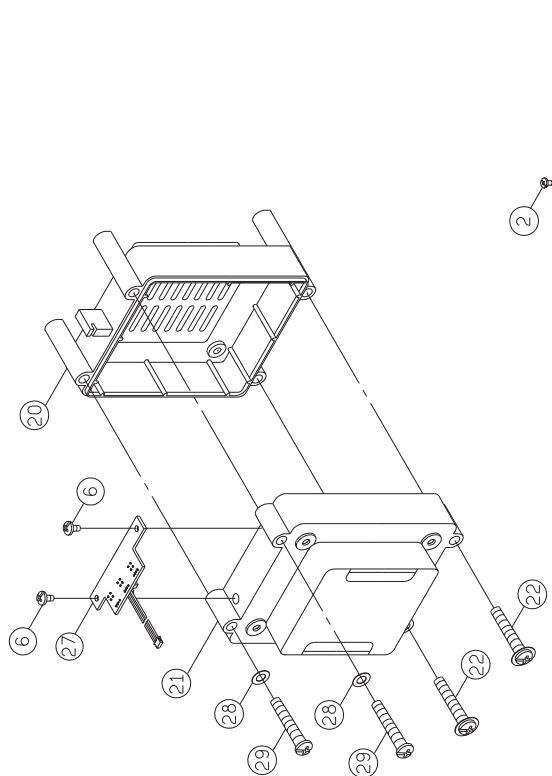
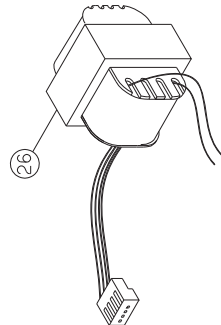
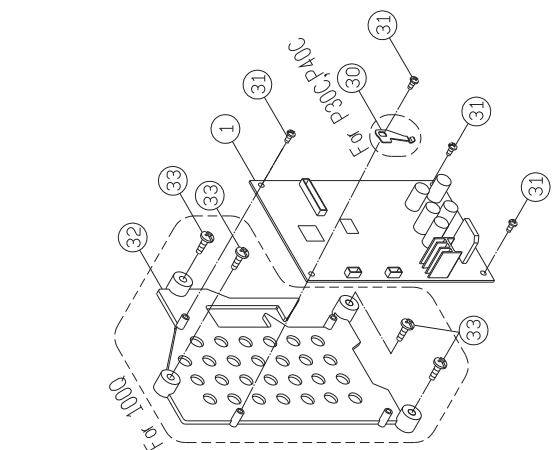


Pos	Part No	Description
1	416192801	FEED CRANK SHAFT
2	416152901	FREE ARM BASE CUSHION RUBBER
3	416147301	BASE PLATE ADJUSTMENT SCREW SPRING
4	416154601	BASE PLATE ADJUSTMENT SCREW
5	416121501	SET SCREW ( M4×8 A )
6	416122401	SET SCREW (M4×4 C)
7	416191901	FEED ROCK SHAFT
8	416192101	FEED DOG SHAFT
9	416122101	SET SCREW ( M4×6 C )
10	270 E1A0403003	FEED ROCK FRAME SHAFT (2)
11	416116101	E-RING (ETW-4)
12	416192401	FEED ROCK CRANK
13	416192601	REGULATING BLOCK SHAFT
14	270 P3A0583003	FEED ROCK SHAFT
15	416116001	E-RING ( ETW-3 )
16	416192001	FEED DOG SUPPORTER
17	270 H1A0363000	FEED DOG
18	416192301	FEED LIFTING ROCK CRANK
19	416126801	ADJUSTING NUT (ALN-4)
20	416185501	SET SCREW (M4×0.7 L9)
21	416191601	BELT ADJUSTING PLATE
22	416152001	BELT ADJUSTING PLATE PULLEY
23	416356601	FEED REGULATING BLOCK
24	416120601	SET SCREW (M3×5A)
25	416356501	FEED REGULATING
26	416125601	ENDURE ATTRITION WASHER(6.7×11.8×0.5)
27	416156901	FEED ROCK BUSHING
28	416124001	WASHER ( 6.7×12×1 )
29	416116601	E-RING ( ETW-5 )
30	416610101	FEED REGULATING SHAFT
31	270 D3A0273003	FEED REGULATING CRANK
32	270 D3A0263003	FEED CRANK
33	416192701	FEED DOG SPRING
34	270 004235016	SET SCREW (M3.5×0.6 L8 A)
35	416195701	FEED ROCK CRANK SPRING
36	416186301	WASHER (5.2×12×1)
37	416642701	PULSE MOTOR COMPLETE
38	416124101	WASHER (4.2×8×0.8)
39	270 D3A0293003	FEED REGULATING CRANK SPRING
40	270 004241202	FEED REGULATING CRANK SET SCREW
41	270 D3A0943000	FEED ROCK ROD
42	270 003010046	E-RING ( ETW-4 )
43	270 008D5A0026	PHOTO SENSOR PLATE
44	270 P3C0243000	FEED ROCK CRANK GEAR
45	270 002D5A0006	FEED WIRE
46	270 R1A1394000	PULSE MOTOR GEAR COMPLETE
47	416120001	SET SCREW (M3×3 C)
48	416610201	PULSE SUPPORT PLATE
49	416610301	PULSE MOTOR LEAD CORD
50	416668401	PULSE MOTOR GEAR SPACER
51	416668401	PULSE MOTOR GEAR
52	416488901	POWER CIRCUIT BOARD
53	416610401	POWER CIRCUIT BOARD COVER
54	416571401	WASHER (4×10×0.4)
#1	416191501	BELT ADJUSTING PLATE COMPLETE
#2	270 008D5A0016	PHOTO SENSOR COMPLETE
#3	270 D3A1674000	FEED REGULATING COMPLETE



---

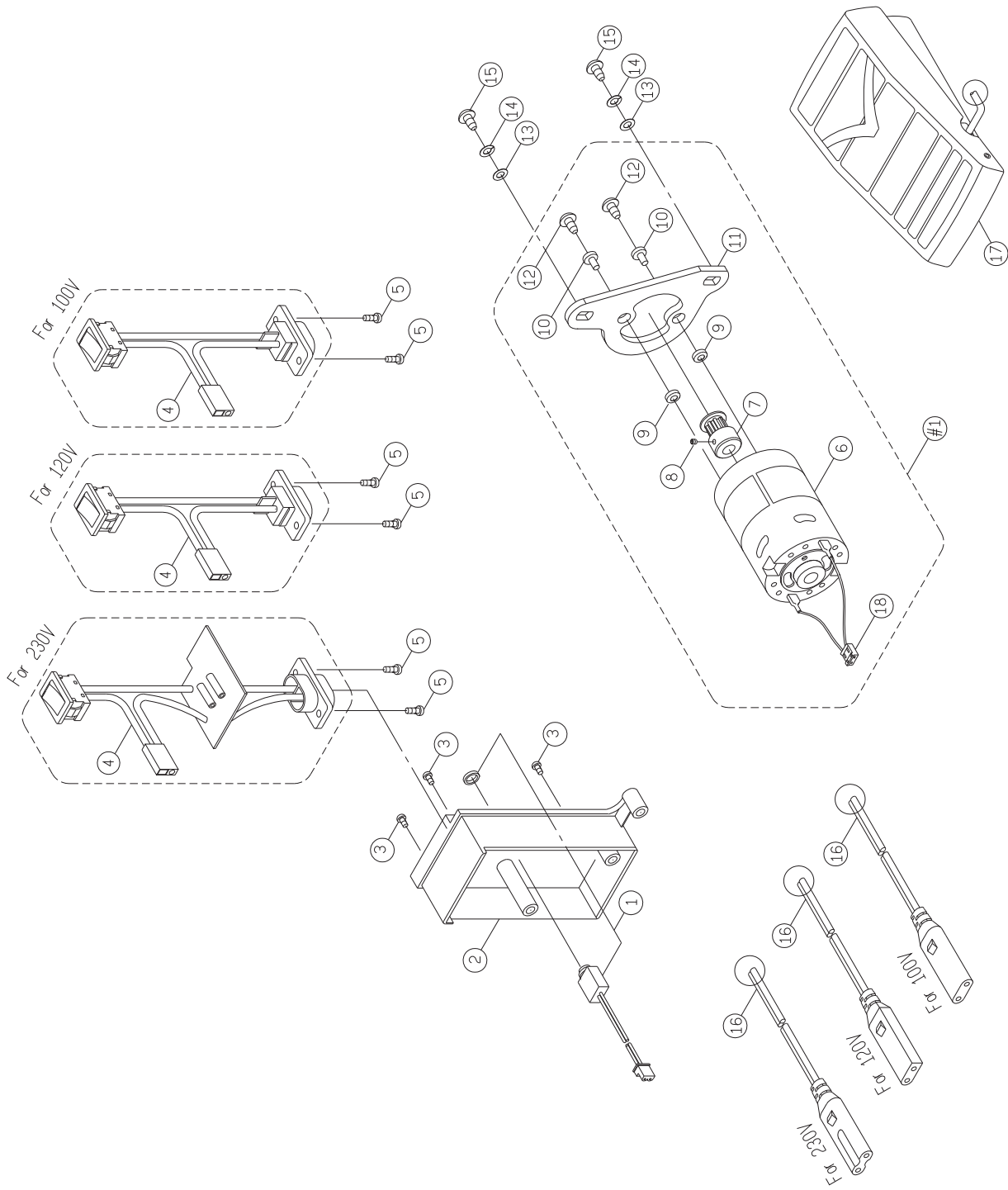
Pos	Part No	Description
1	416121001	SET SCREW ( M4×5 C )
2	416155801	BOBBIN SHAFT OIL CLOTH
3	416145401	BOBBIN SHAFT
4	416155601	BOBBIN SHAFT WASHER (2)
5	416125901	ENDURE ATTRITION WASHER (6.2x9.6x0.5)
6	416489001	SHUTTLE HOOK COMPLETE
7	416155501	MAGNET
8	416156001	SHUTTLE HOOK HOLDER
9	416155701	BOBBIN SHAFT WASHER (3)
10	416143601	SHUTTLE HOOK COVER
11	416119501	SET SCREW ( M3×12 )
12	416489101	ROTARY HOOK HOLDER
13	416191801	ROTARY HOOK HOLDER POSITIONED PLATE
14	416121201	SET SCREW ( M4×6 B )
15	416143401	ROTARY HOOK SUPPORTER
16	270 004240586	SET SCREW ( M4×8 )
17	416121501	SET SCREW ( M4×8 A )
18	416200601	FEED ROCK CAM
19	416122401	SET SCREW (M4×4 C)
20	416191101	LOWER SHAFT
21	416191401	LOWER SHAFT SPRING
22	270 P3A0433003	FEED LIFTING ROCK COM PIN
23	416191201	FEED LIFTING ROCK CAM
24	416116401	E-RING ( ETW-6 )
25	416158701	LOWER SHAFT COLLAR
26	416125801	ENDURE ATTRITION WASHER(8.2×12×0.5)
27	416489201	LOWER SHAFT BELT PULLEY
28	416120501	SET SCREW ( M3×14.5 )
29	416197201	LOWER SHAFT GEAR
30	416186501	WASHER ( 8.2×12×0.5 )
31	416141701	LOWER SHAFT BUSHING
32	416489301	BOBBIN
33	416122101	SET SCREW ( M4×6 C )
#1	416200601	FEED ROCK CAM COMPLETE
#2	416197101	LOWER SHAFT GEAR COMPLETE
#3	416158801	LOWER SHAFT COLLAR COMPLETE



All voltage application & spec., please check next page.

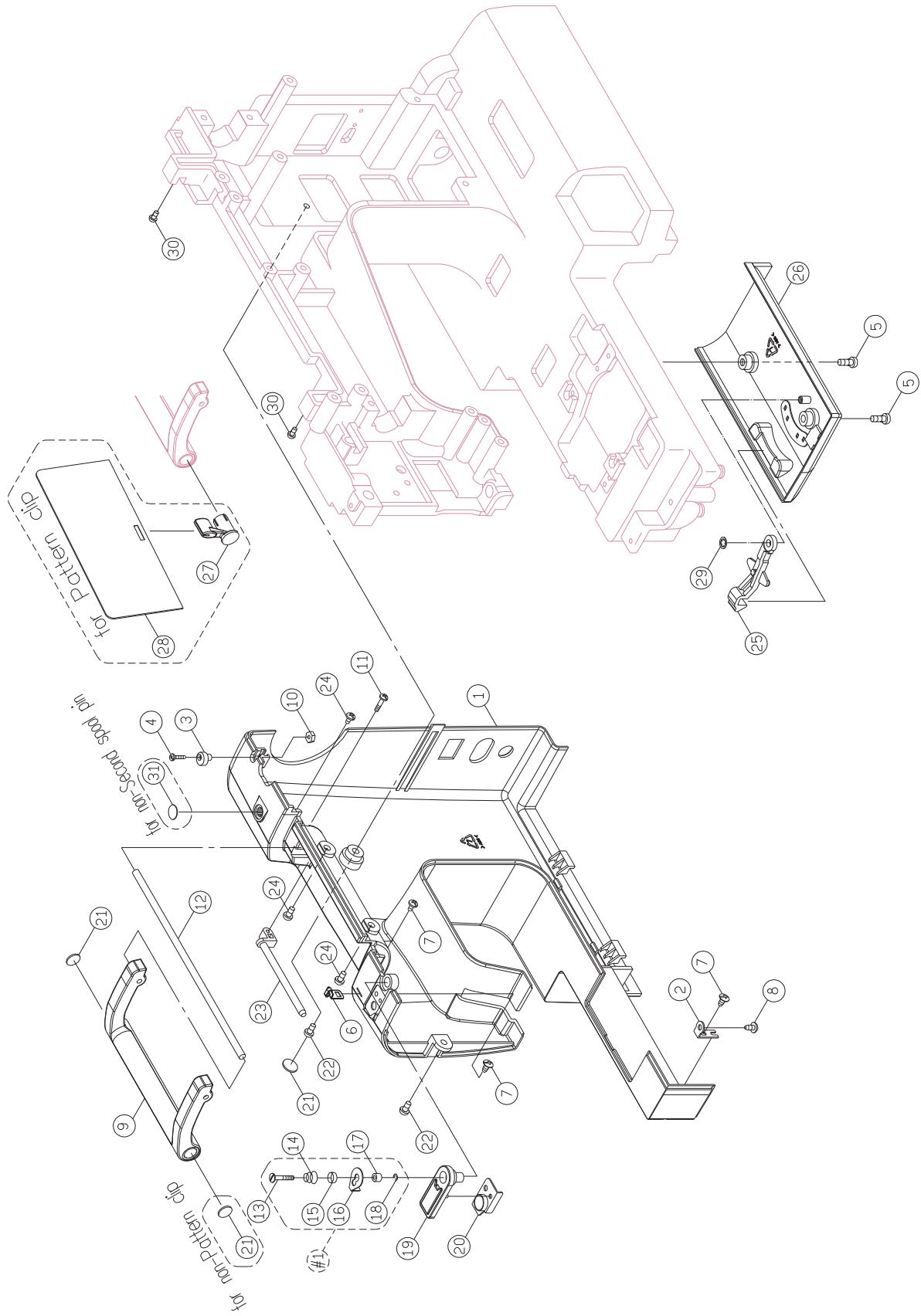


Pos	Part No	Description
1	416489401	MAIN CIRCUIT BOARD COMPLETE
2	416120601	SET SCREW ( M3×5A )
3	416489501	PHOTO SENSOR PLATE
4	416489501	PHOTO SENSOR WIRE
5	416489501	PHOTO SENSOR COMPLETE
6	416121501	SET SCREW ( M4×8A )
7	270 P3C0203209	BH MOVEMENT CRANK
8	270 004230056	SET SCREW ( M3×5B )
9	416610701	BH LEVER PLATE
10	416119201	SET SCREW (M3×6A)
11	416610801	LAMP (12V 5W)
12	416135801	LAMP RECEPTACLE COMPLETE
13	270 P3C0193003	PHOTO PLATE
14	270 P3C0183002	BH LEVER
15	416148701	BH LEVER BUTTON
16	270 P3C0173003	BH LEVER CRANK
17	270 D3A0473000	BH LEVER CRANK SPRING
18	416148701	E-RING ( ETW-3 )
19	416413101	BH SPRING PLATE
20	416610901	TRANSFORMER FRONT COVER
21	416611001	TRANSFORMER BACK COVER
22	416611101	SET SCREW ( M4×50 )
23	416113901	CORD CLIP
24	270 002030129	CORD CLIP
25	270 002549129	CORD CLIP
26	N/S	TRANSFORMER (100V) (FOR JAPAN)
26	416489601	TRANSFORMER (120V) (FOR U.S.A.)
26	416489701	TRANSFORMER (230V) (FOR EU.)
26	416668301	TRANSFORMER (240V) (FOR SAA, U.K)
27	416489801	PHOTO SENSOR COMPLETE
28	270 004300096	WASHER (4×8×0.5)
29	416611301	SET SCREW ( M4x50 )
30		
31	416121601	SET SCREW ( M4x12B )
32	416611401	MAIN CIRCUIT BOARD HOLDER
33	416121101	SET SCREW ( M4x10B )



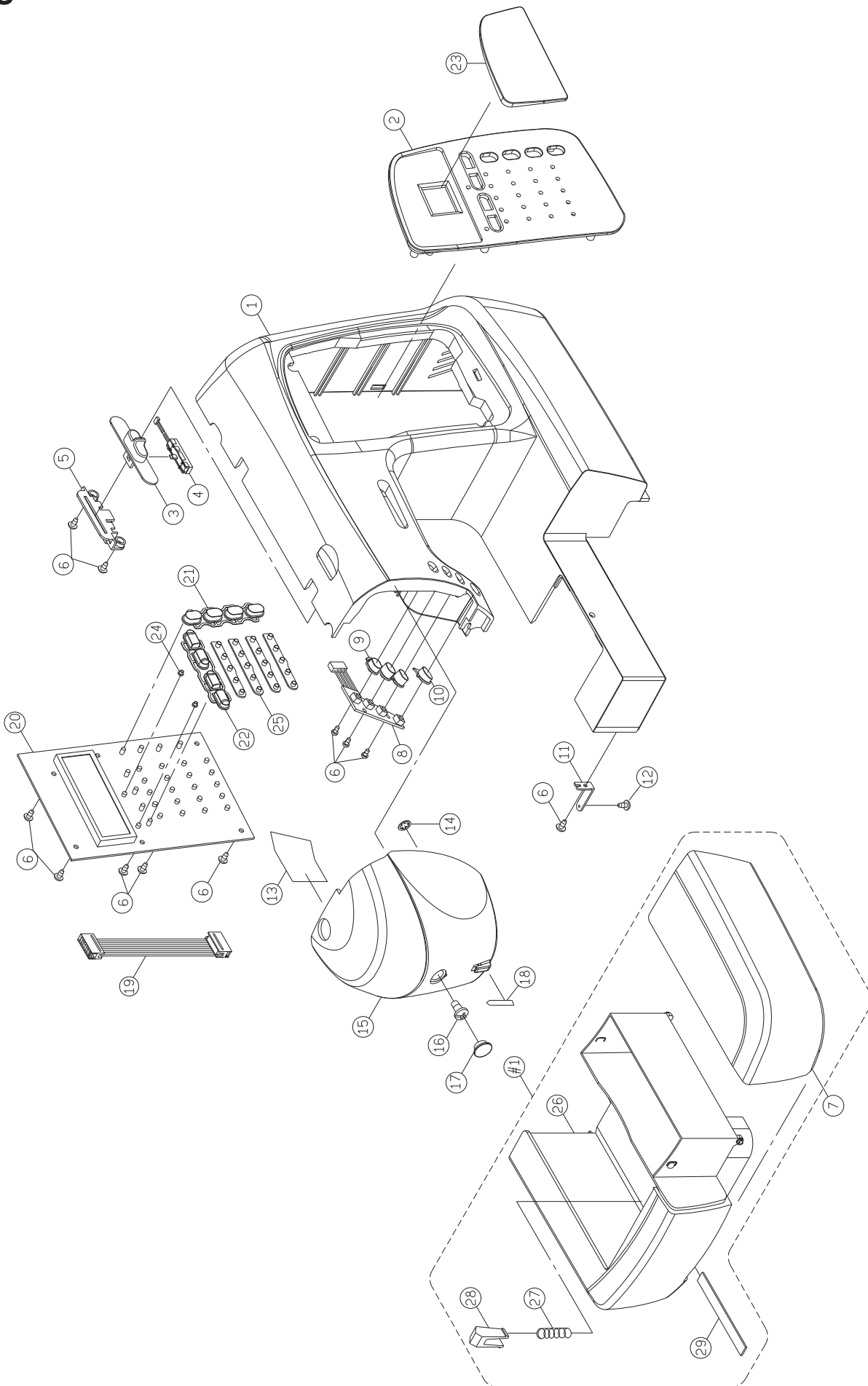
All voltage application & spec. ,please check next page.

Pos	Part No	Description
1	416129901	CONTROLLER RECEPTACLE (FOR U.S.A.)
1	416420201	CONTROLLER RECEPTACLE (FOR EU.)
2	416489901	RECEPTACLE HOLDER
3	416121501	SET SCREW ( M4×8A )
4	416490001	SWITCH RECEPTACLE ASS'Y (230V~240V)
4	416480402	SWITCH RECEPTACLE ASS'Y (120V)
5	416119901	SET SCREW ( M3×12 )
6	416417101	DC MOTOR COMPLETE TRW555-240L01
7	416417101	MOTOR WHEEL
8	416120101	SET SCREW (M3×3 C)
9	416418901	INSULATION PAD
10	416419001	INSULATION SPACER
11	416611501	MOTOR BRACKET
12	416120201	SET SCREW ( M3×10A )
13	416124301	WASHER (5.4×10×0.9)
14	416126201	SPRING WASHER (5.1×9.2×1.3)
15	416224801	SET SCREW (M5×12)
16	416419702	POWER CORD (230V) (FOR EU.)
16	270 002541418	POWER CORD (120V) (FOR U.S.A)
17	416113701	FOOT CONTROLLER (FOR USA., EU.)
18	416490201	DC MOTOR LEAD CORD (FOR U.S.A.)
18	416419101	DC MOTOR LEAD CORD (FOR EU.)
#1	416490301	DC MOTOR COMPLETE (FOR U.S.A)
#1	416490401	DC MOTOR COMPLETE (FOR EU., SAA)



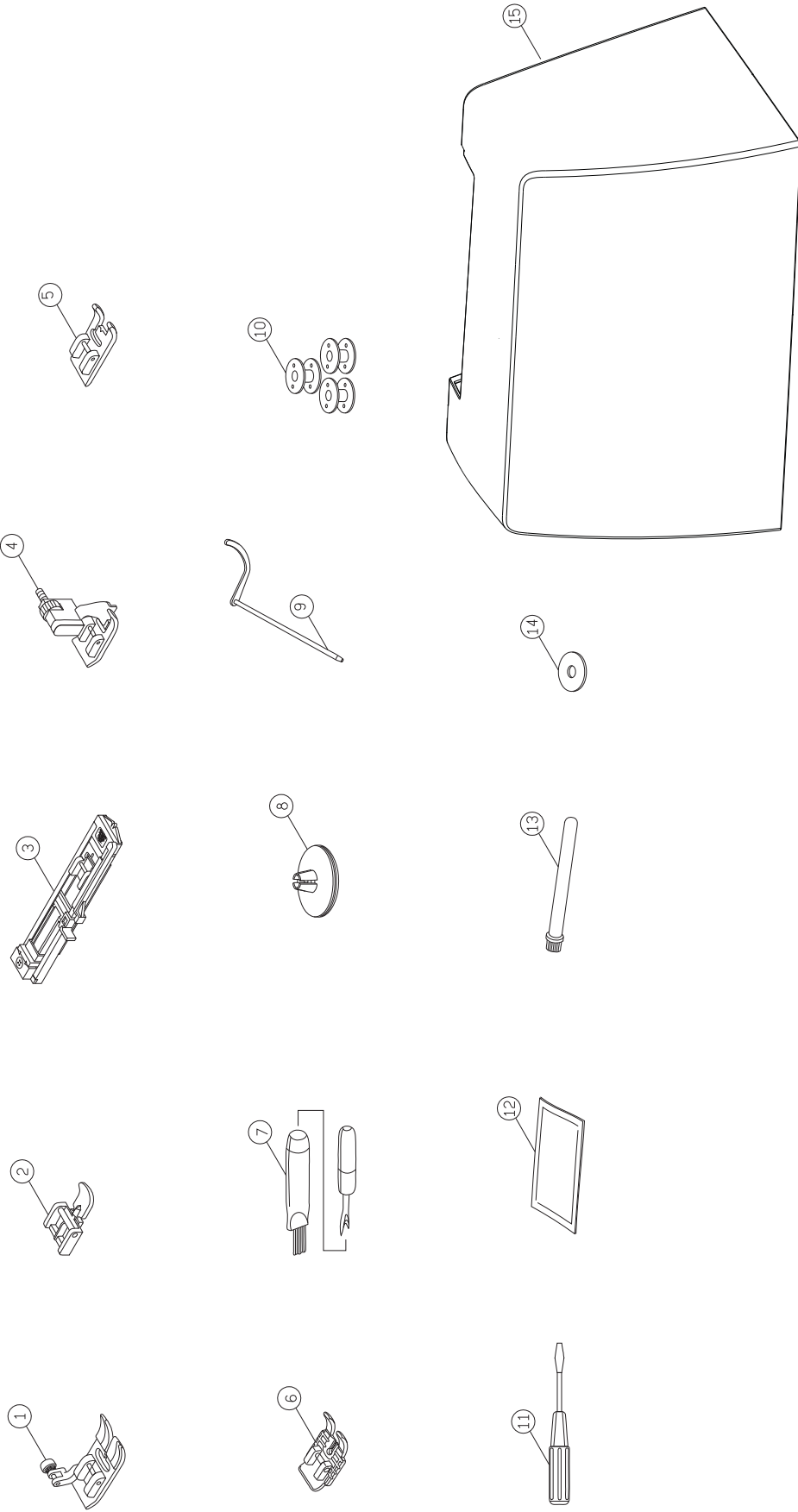
Take care the circled parts for the model you want.

Pos	Part No	Description
1	416490501	BACK COVER (FOR UL)
1	416490601	BACK COVER (FOR JAPAN, EU.)
2	270 E1A1673002	ARM BACK COVER SET PLATE
3	416146601	BOBBIN WINDER STOPPER
4	416174001	SET SCREW (9/64x40x16 B)
5	416123101	SET SCREW (M4x0.7 L12)
6	270 P3A1663001	THREAD GUIDE
7	270 004230216	SET SCREW ( M3x8.5 )
8	416121201	SET SCREW (M4x6 B)
9	416490701	HANDLE
10	416126301	NUT (9/64x40 T=3)
11	416573801	SET SCREW ( M3x1.06B )
12	416611701	HANDLE ROD
13	416199401	BOBBIN WINDER THREAD GUIDE ADJUSTING
14	270 P3A1533001	BOBBIN WINDER THREAD GUIDE SPRING
15	270 P3A1463001	BOBBIN WINDER SPRING DISC
16	270 P3A1513001	BOBBIN WINDER THREAD GUIDE
17	270 P3A1523006	SPACER
18	416116001	E-RING ( ETW-3 )
19	416199201	BOBBIN WINDER THREAD GUIDE DISC
20	270 V6E0395000	THREAD GUIDE COMPLETE
21	270 V61503209	PLATE
22	416121501	SET SCREW (M4x8 A)
23	416198901	SPOOL ROD
24	416121601	SET SCREW (M4x12 B)
25	270 P3C0483209	TOOTH LEVER ARM
26	416611601	FREE ARM BASE
27	N/S	PATTERN CLIP
28	N/S	PATTERN PLATE
29	416116701	CS-RING (CS-5)
30	270 004235016	SET SCREW (M3.5x0.6)L8
31	N/S	PLATE (FOR NON-SECOND SPOOL PIN)
#1	416199301	BOBBIN WINDER THREAD GUIDE COMPLETE



Pos	Part No	Description
1	416490801	Front cover
2	416490901	FRONT PLATE
3	416491001	Slide volume knob
4	270 008P2C0009	Slide volume complete
5	416611801	Slide volume knob connector
6	270 004230216	Set screw ( M3×8.5 )
7	416491401	Sewing table body cover
8	416491101	Up & down fixed position switch
9	416491201	Needle position knob
10	416491301	Start/stop push button
11	416144401	Arm front cover set plate
12	416119501	Set screw (M3×12)
13	416199801	Heat resistant plate
14	270 003020043	CS-ring (CSTW-4)
15	416608101	Face plate Cpl
16	416123101	Set screw (M4×0.7 L12)
17	416612001	Plug
18	416172501	Thread cutter
19	416612101	Row line
20	416491601	Key plate
21	416612201	Pattern select key
22	416612301	Function select key
23	416612401	LCD plastic cover
24	416612501	LED cover (1)
25	416612601	LED cover (2)
26	416491401	Sewing table body
27	416424401	Sewing table body guide spring
28	416424501	Sewing table body guide
29	416144901	Sewing table body felt
#1	416491401	Sewing table complete

# Standard accessories





---

<u>Pos</u>	<u>Part No</u>	<u>Description</u>
1	412764001	All purpose foot (A)
2	412801501	Zipper foot (E)
3	416284701	Buttonhole foot (C)
4	412380401	Blind hem foot (D)
5	412785401	Satin stitch foot (B)
6	412785501	Piecing foot (P)
7	401555501	Brush
	401539901	Seam ripper
8	412371101	Spool holder (large)
9	412601901	Seam guide
10	416489301	Bobbin
11	412381501	Large screwdriver
12		Pack needles
13	416157501	Second spool pin
14	416483501	Felt cushion
15	416512701	HARD COVER 100Q