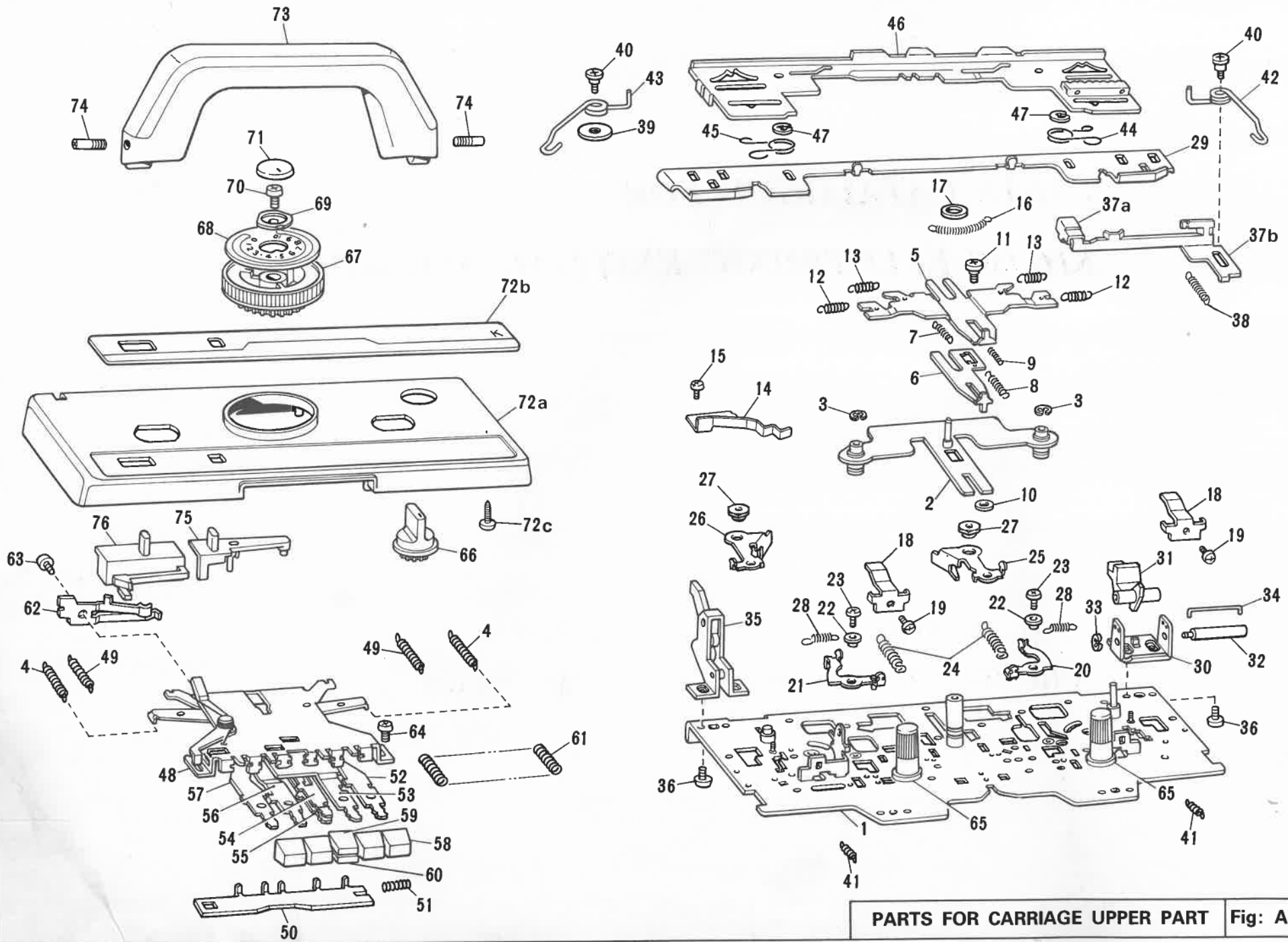


***CATALOGO PARTI DI RICAMBIO PER MACCHINA  
PER MAGLIERIA DEFENDI BROTHER FIRST LADY***

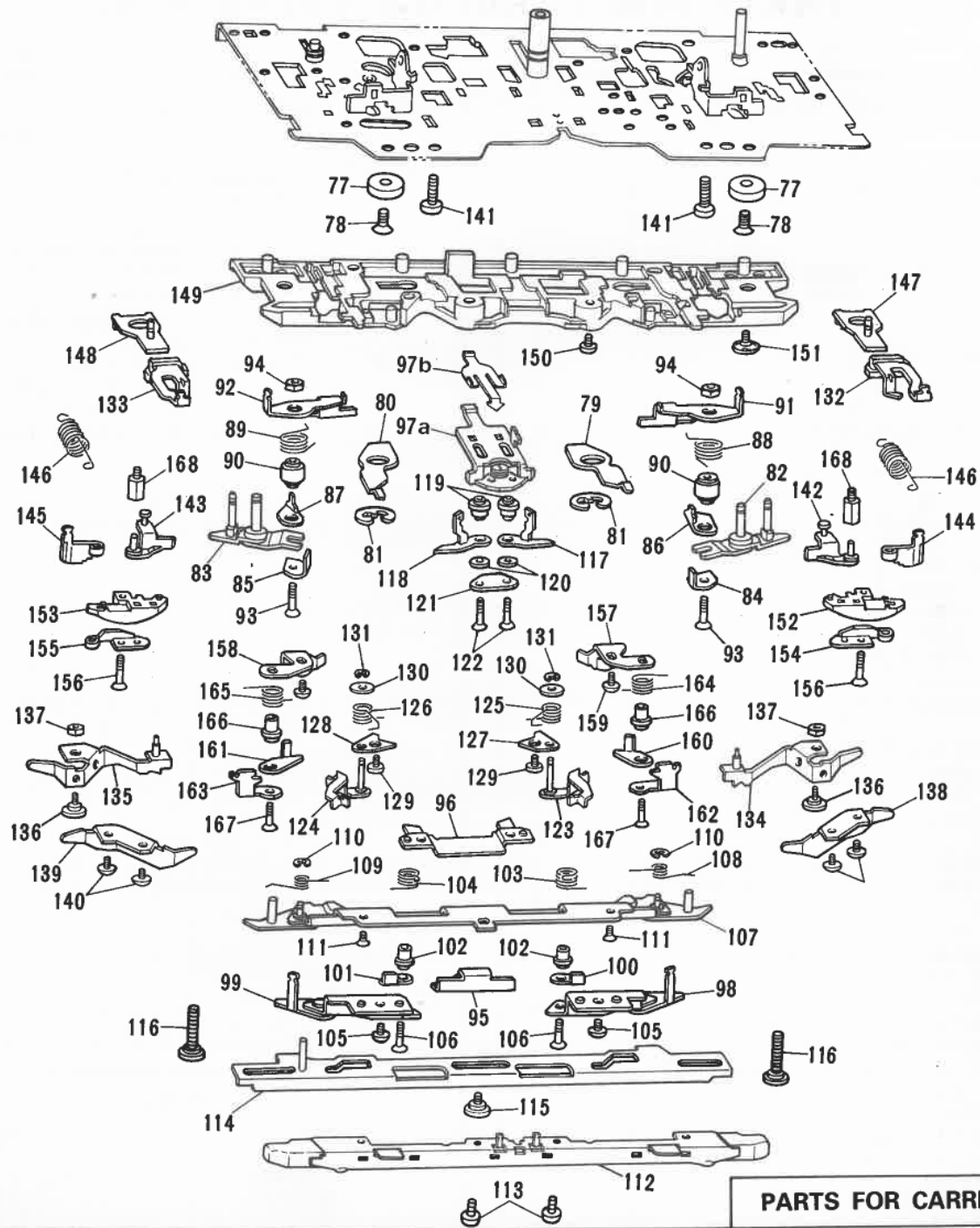
*Le parti contrassegnate con "O" non sono intercambiabili  
con altri modelli*



PARTS FOR CARRIAGE UPPER PART Fig: AI

## PARTS FOR CARRIAGE UPPER PART

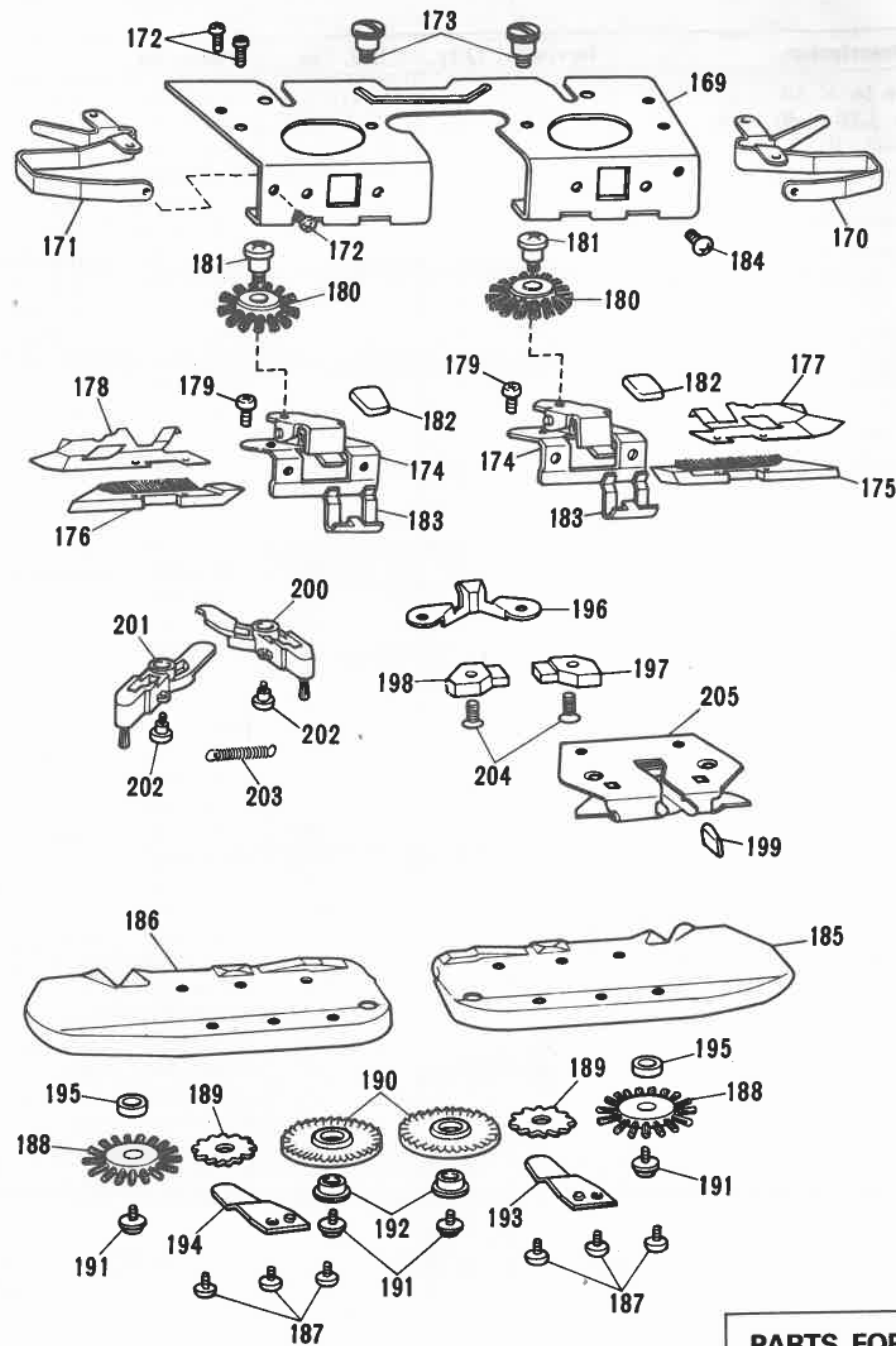
Ref. No.	Parts No.	Description	Revised	Q'ty	Ref. No.	Parts No.	Description	Revised	Q'ty
AI-1-AII-204		K carriage complete set for KH930		1	AI-67	409599003	Stitch dial		1
○ AI- 1	414011001	Carriage plate		1	68	414174001	Stitch dial indicator plate		1
○ 2	414022001	Stitch cam guide plate		2	69	406283001	Stitch dial presser		1
3	048030346	Snap ring 3		2	70	060660606	Screw 3.18 - 40 × 6		1
4	407432001	Raising cam change spring		1	71	409601005	Stitch dial cap		1
○ 5	414053000	Change plate A		1	72a-b		K carriage cover assembly		1
○ 6	414054000	Change plate B		1	72b	414111001	Carriage cover decoration plate for KH930		1
○ 7	414370001	Change plate A spring		1	72c	037351615	Screw 3.5 × 16		2
○ 8	414252001	Change plate B spring		1	73	409605007	K carriage handle (White)		1
○ 9	413452001	Change plate spring		1		409605009	K carriage handle (Beige and White)		1
○ 10	414251001	Collar		1	74	409608001	Screw		1
○ 11	414025001	Change plate guide collar		1	75	413437001	Plain lever knob (White)		1
○ 12	414241001	MC cam Change spring		2		413437003	Plain lever knob (Beige)		1
○ 13	414178001	MC cam spring A		2	76	414112001	H.C.L knob (White)		1
○ 14	414065001	Front slide plate spring		1		414112002	H.C.L knob (Beige)		1
15	060660406	+ - Screw 3.18 - 40 × 4		1					
○ 16	414069001	Tuck cam spring		1					
○ 17	414180001	Presser ring		1					
○ 18	414084001	Handle lock spring		2					
19	062670406	Screw 3.57 - 40 × 4		2					
○ 20	414014001	Intarsia lever, R		1					
○ 21	414017001	Intarsia lever, L		1					
○ 22	414019001	Intarsia lever collar		2					
23	060660406	Screw 3.18 - 40 × 4		2					
○ 24	414090001	Intarsia lever spring		2					
○ 25	414092001	Intarsia cam A, R		1					
○ 26	414093001	Intarsia cam A, L		1					
○ 27	414094001	Nut		2					
○ 28	414095001	Intarsia cam A spring		2					
29	409554001	Rear plate		1					
30-34	410130001	Row counter tripper		1					
35	410132001	Knit leader tripper		1					
36	060660406	Screw 3.18 - 40 × 4		4					
37	410141003	K carriage sensor magnet assembly		1					
38	412131001	Shift spring for K carriage sensor		1					
39	025050335	Washer		1					
40	410146001	Shaft for K carriage sensor magnet		2					
41	410135001	End needle selection cam spring		2					
○ 42	414189001	Needle selection change spring, R		1					
○ 43	414190001	Needle selection change spring, L		1					
44	409543001	Connecting plate spring, R		1					
45	409544001	Connecting plate spring, L		1					
46	410138001	Upper slide plate		1					
47	048040346	Snap ring		2					
○ 48-62	414113001	Cam button unit		1					
63	060660406	Screw 3.18 - 40 × 4		1					
64	060670406	Screw 3.57 - 40 × 4		2					
65	409596003	Thumb nut		2					
66	409597006	Change knob		1					



**PARTS FOR CARRIAGE LOWER PART Fig: AII**

## PARTS FOR CARRIAGE LOWER PART

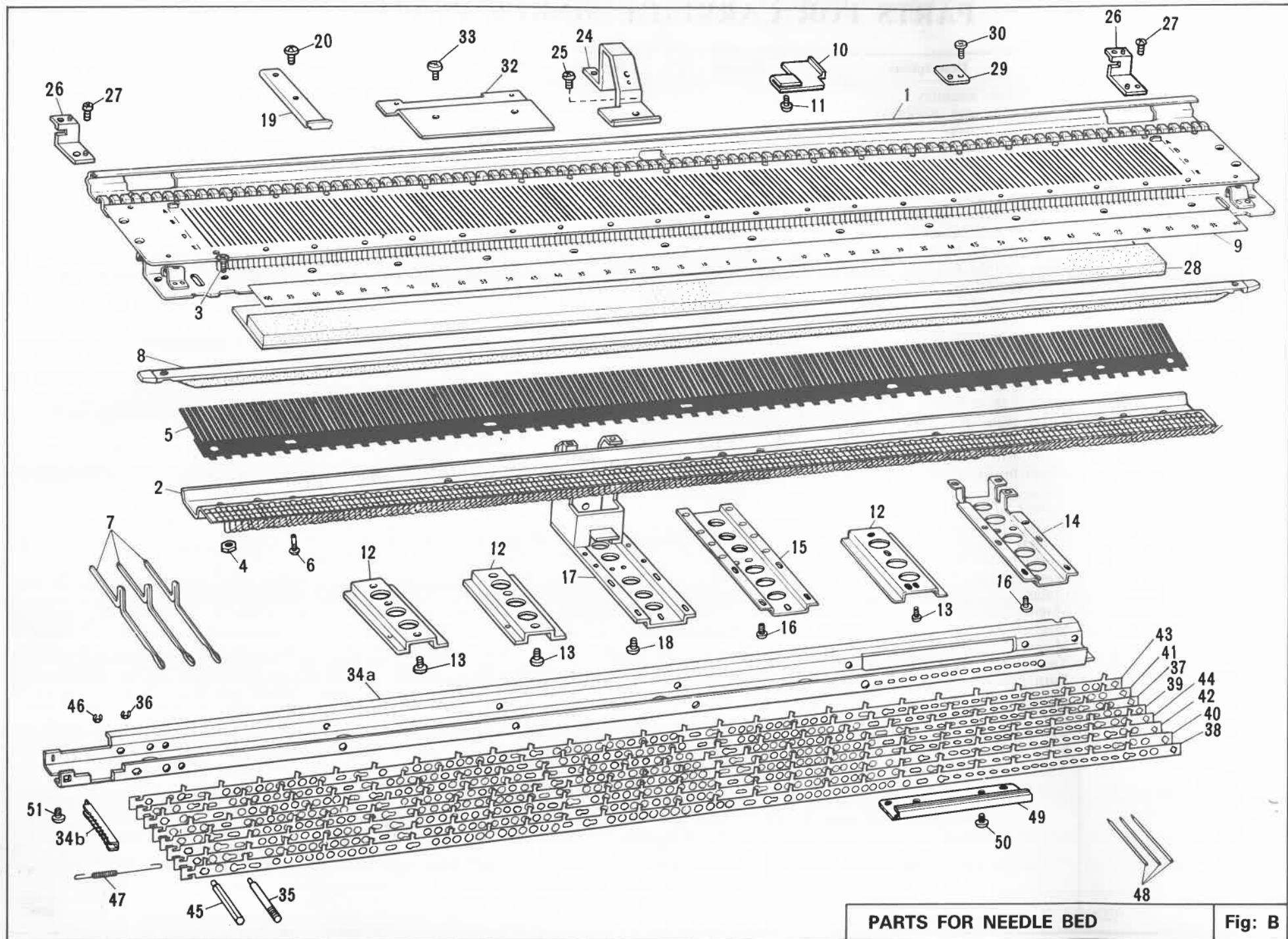
Ref. No.	Parts No.	Description	Revised	Q'ty	Ref. No.	Parts No.	Description	Revised	Q'ty
AII- 77	407285000	Carriage magnet 16 × 18		2	○ AII-125	414075001	Valve cam G spring, R		1
78	408773006	Flat head screw 3.18 - 40 × 9		2	○ 126	414076001	Valve cam G spring, L		1
○ 79	414242001	Raising cam guide, R		1	○ 127/128	414077001	Cam plate		1
○ 80	414243001	Raising cam guide, L		1	○ 129	414049001	Screw		2
81	048070346	Snap ring		2	130	025350233	Washer		2
○ 82	414026001	Stitch cam assembly, R		1	131	048020346	Snap ring		2
○ 83	414030001	Stitch cam assembly, L		1	132	409510001	Selection cam for right end needle		1
84	407296001	Sub stitch cam, R		1	133	409513001	Selection cam for left end needle		1
85	407297001	Sub stitch cam, L		1	○ 134	414078001	Separation cam, R		1
86	410488001	Valve cam D, R		1	○ 135	414080001	Separation cam, L		1
87	410489001	Valve cam D, L		1	136	410115001	Screw 3.18		2
88	410490001	Valve cam D spring, R		1	137	021660306	Nut 3.18 - 40		2
89	410491001	Valve cam D spring, L		1	○ 138	414082001	Guide cam F, R		1
○ 90	414245001	Sub stitch cam shaft		2	○ 139	414083001	Guide cam F, L		1
○ 91	414032001	MC cam, R		1	140	413554001	Screw 3.18 × 3		4
○ 92	414033001	MC cam, L		1	141	062681206	Screw 4.37 - 40 × 12		2
93	407312001	Screw		2	○ 142	414185001	Needle selection change cam, R		1
94	021660306	Nut		2	○ 143	414187001	Needle selection change cam, L		1
○ 95	414034001	Slide cam		1	○ 144	414203001	Valve cam F, R		1
○ 96	414035001	Slide cam guide		1	○ 145	414204001	Valve cam F, L		1
○ 97a	414036001	Guide cam C		1	146	410129001	Valve cam F spring		2
○ 97b	414462000	Guide cam C spring		1	147	410123001	Connecting plate, R		1
○ 98	414041001	Guide cam B, R		1	148	410125001	Connecting plate, L		1
○ 99	414045001	Guide cam B, L		1	○ 149	414086001	Rear foot		1
○ 100	414176001	Valve cam B, R		1	150	060660406	Screw 3.18 - 40 × 6		4
○ 101	414177001	Valve cam B, L		1	151	409494001	Screw 3.57		2
○ 102	414050001	Valve cam B shaft		2	○ 152	414096001	Selection cam, R		1
○ 103	414051001	Valve cam B spring, R		1	○ 153	414098001	Selection cam, L		1
○ 104	414052001	Valve cam B spring, L		1	154	409537001	Guide cam G, R		1
105	413554001	Screw 3.18 × 3		2	155	409538001	Guide cam G, L		1
106	407299001	Screw		2	156	410030001	Screw 2.38 × 14		2
○ 107	414055001	Guide cam A		1	○ 157	414100001	Sub selection cam, R		1
○ 108	414194001	Change cam spring, R		1	○ 158	414101001	Sub selection cam, L		1
○ 109	414195001	Change cam spring, L		1	159	413554001	Screw 3.18 × 3		2
110	048025346	Snap ring		2	○ 160	414102001	Intarsia cam B, R		1
111	413285001	Screw 3.18 × 4		2	○ 161	414103001	Intarsia cam B, L		1
○ 112	414172001	Front foot		1	○ 162	414104001	Intarsia cam B plate, R		1
113	413554001	Screw 3.18 × 3		2	○ 163	414105001	Intarsia cam B plate, L		1
○ 114	414062001	Front slide plate		1	○ 164	414106001	Intarsia cam B spring, R		1
○ 115	414184001	Screw 3.18 × 4		1	○ 165	414107001	Intarsia cam B spring, L		1
116	408504001	Screw 3.18		2	○ 166	414108001	Intarsia cam B shaft		2
○ 117	414066001	Tuck cam, R		1	○ 167	407299001	Screw		2
○ 118	414067001	Tuck cam, L		1	○ 168	414091001	Selection change cam shaft		2
○ 119	414068001	Tuck cam, shaft		2					
○ 120	414179001	Washer		2					
121	407340001	Tuck cam plate		1					
122	407299001	Screw		2					
○ 123	414070001	Valve cam G, R		1					
○ 124	414073001	Valve cam G, L		1					



PARTS FOR CARRIAGE SINKER PLATE Fig: AII

## PARTS FOR CARRIAGE SINKER PLATE

Ref. No.	Parts No.	Description	Revised	Q'ty	Ref. No.	Parts No.	Description	Revised	Q'ty
All-169-205	414120001	Sinker plate assembly		1					
169-195	414121001	Sinker plate arm assembly		1					
○ 169	414416001	Sinker plate arm		1					
○ 170	414122000	Weaving thread guide, R		1					
○ 171	414123000	Weaving thread guide, L		1					
172	409162001	Tapping screw 2.6		6					
173	409626001	Thumb screw		2					
174a	410026001	Weaving lever assembly, R		1					
174b	410027001	Weaving lever assembly, L		1					
175	407435002	Latch opening brush, R		1					
176	407436002	Latch opening brush, L		1					
○ 177	414191000	Latch presser plate, R		1					
○ 178	414192000	Latch presser plate, L		1					
179	037286616	Screw 2.6 × 6		4					
○ 180	414417001	Weaving pattern brush		2					
181	408316001	Screw 3.18		2					
182	409629003	Weaving lever knob		2					
183	407441001	Weaving lever spring		2					
184	408305001	Screw 3.18 × 5		4					
○ 185	414253001	Sinker plate, R		1					
○ 186	414257001	Sinker plate, L		1					
187	412049006	Screw 3.18 - 40 × 3.5		6					
188	408146002	Wheel brush		2					
○ 189	414259001	Plastic gear		2					
190	413403001	Rubber wheel		2					
191	409621001	Screw 3.18 × 4		2					
○ 192	410970001	Holder		2					
○ 193	414261001	Wheel brush plate, R		1					
○ 194	414262001	Wheel brush plate, L		1					
○ 195	414260001	Collar		2					
196	409625000	Magnet holder plate		1					
197	407454000	Magnet, R		1					
198	407578000	Magnet, L		1					
199	407450004	Yarn feeder knob		1					
○ 200	414196001	Yarn presser brush, R		1					
○ 201	414197001	Yarn presser brush, L		1					
○ 202	414249001	Screw		2					
○ 203	414250001	Spring		1					
204	413247001	Screw 2.38 × 10		2					
○ 205	414130001	Yarn feeder body		1					



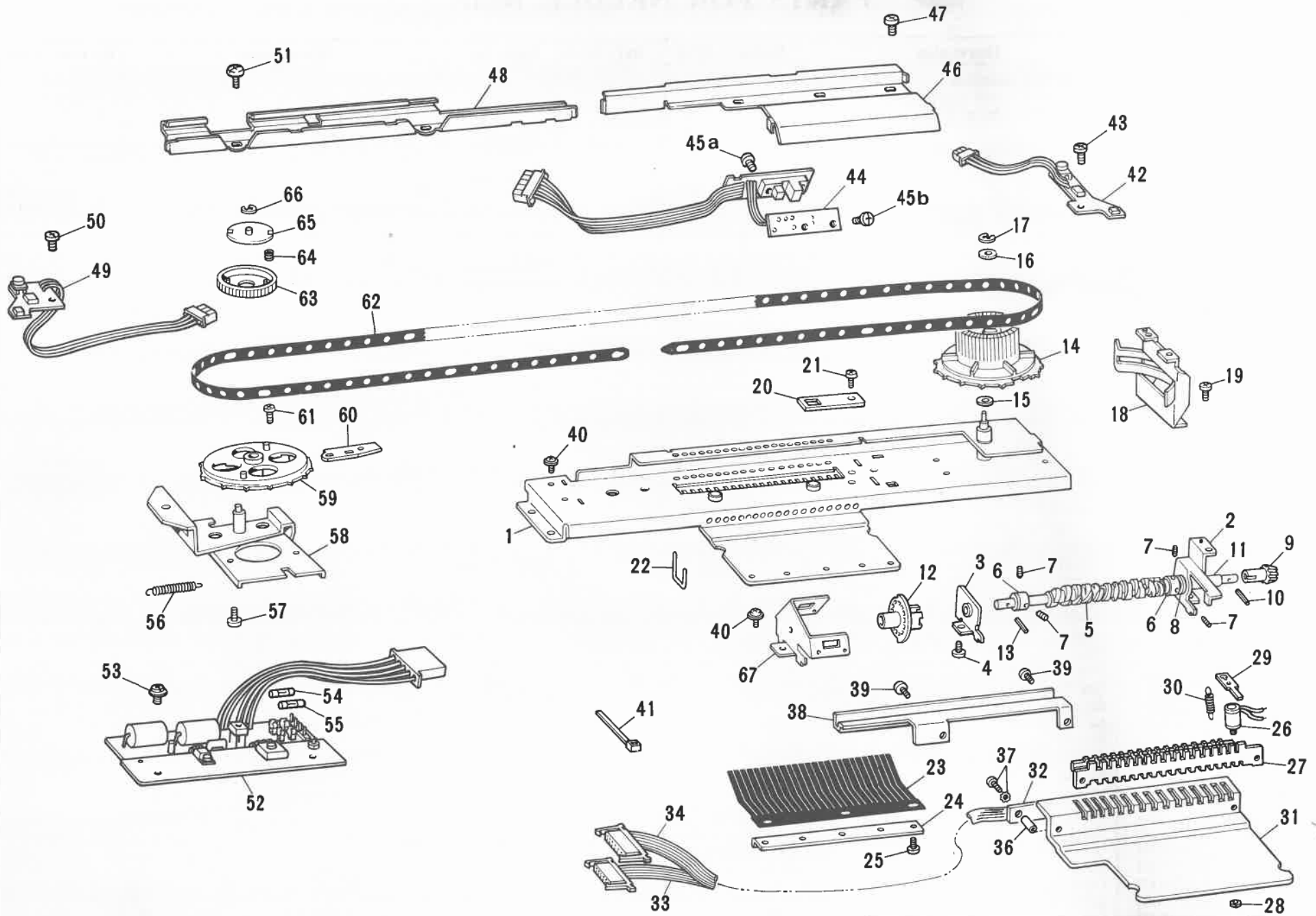
PARTS FOR NEEDLE BED

Fig: B



# PARTS FOR NEEDLE BED

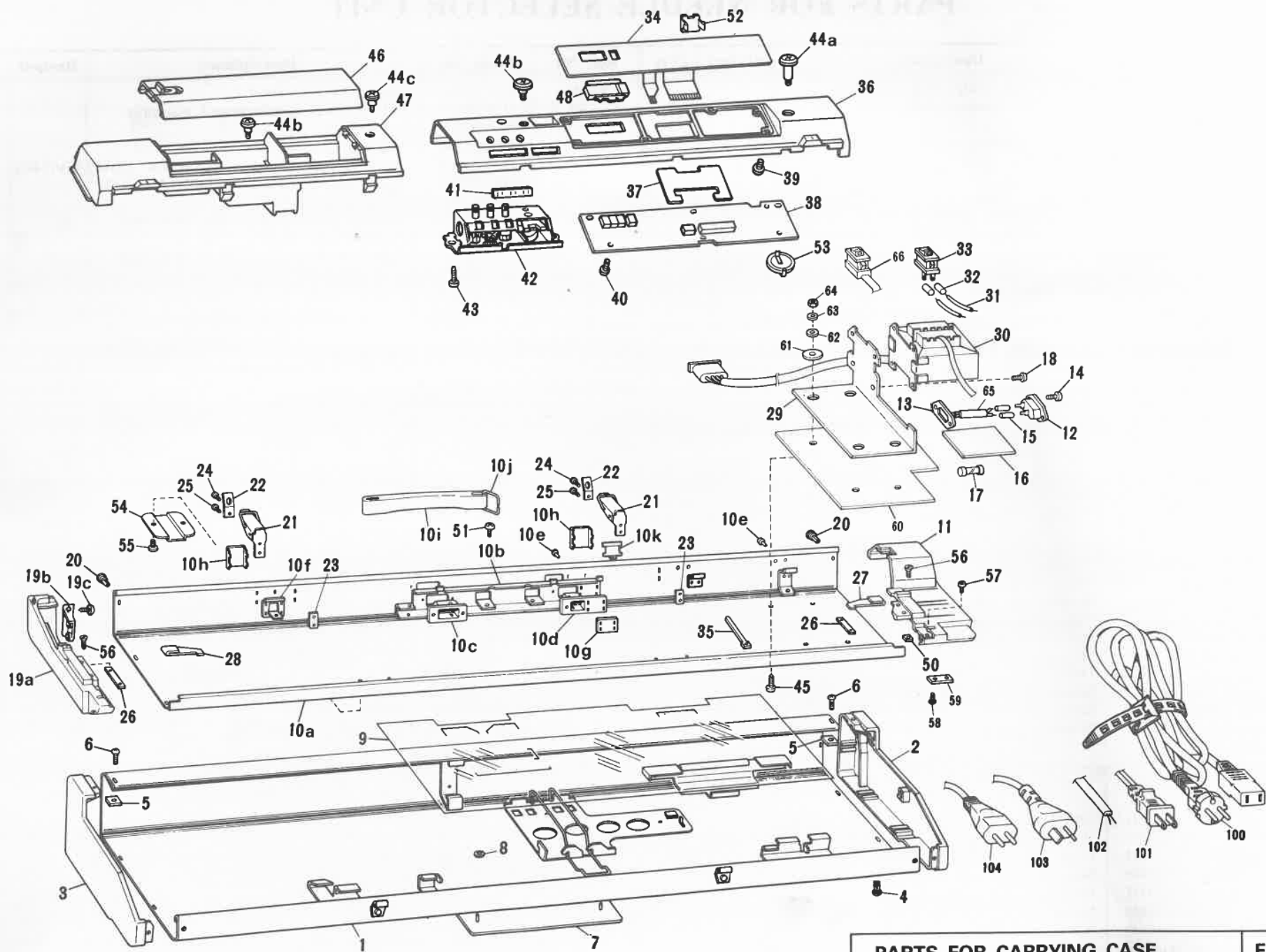
Ref. No.	Parts No.	Description	Revised	Q'ty	Ref. No.	Parts No.	Description	Revised	Q'ty
B- 1	412803001	Needle bed assembly		1					
2	410154001	Needle bed comb assembly		1					
3	412109004	Screw 2.38 - 56 x 7		12					
4	405077001	Nut		12					
5	407112001	Needle retaining spring		1					
6	407687001	Screw 3.18		3					
7	407113001	Plain needle		200					
8	409643001	Needle presser bar assembly		1					
9	410157001	Needle position indicator		1					
10	410156000	Timing belt cover		1					
11	412048006	Screw 3.18 - 40 x 3		1					
12	407120000	Lower holder plate		3					
13	409197001	Screw with washer		6					
14	410159000	Stay, R		1					
15	410160000	Stay centre, A		1					
16	409197001	Screw 3.18 x 4		8					
17	410161001	Stay centre, B		1					
18	409197001	Screw with washer		4					
19	410170000	Carrying case reinforcing plate		1					
20	410523001	Screw 3.18 x 5		1					
24	410177000	Pattern case setting base		1					
25	410523001	Screw 3.18 x 5		1					
26	410175000	Position sensor board holder plate		2					
27	410523001	Screw 3.18 x 5		2					
28	407703000	Sponge bar		1					
○ 29	413952000	Pattern case holder plate		1					
30	410523001	Screw 3.18 x 5		1					
○ 32	413924000	Insulation sheet holder plate		1					
33	060660606	Screw 3.18 - 40 x 6		2					
34-47	410188001	Needle selector plate holder assembly		1					
34-36	410189001	Needle selector plate holder		1					
35	408159001	Shaft A		6					
36	048025346	Snap ring		6					
37	410191001	Needle selector plate 1		1					
38	410192001	Needle selector plate 2		1					
39	410193001	Needle selector plate 3		1					
40	410194001	Needle selector plate 4		1					
41	410195001	Needle selector plate 5		1					
42	410196001	Needle selector plate 6		1					
43	410197001	Needle selector plate 7		1					
44	410198001	Needle selector plate 8		1					
45	408172001	Shaft B		1					
46	048025346	Snap ring		1					
47	410476001	Needle selector plate spring		8					
48	408098001	N.S.P. Operation lever		16					
49	410199001	Operation lever presser		1					
50	409197001	Screw with washer		2					
51	409197001	Screw with washer		9					



**PARTS FOR NEEDLE SELECTOR UNIT** Fig: C

# PARTS FOR NEEDLE SELECTOR UNIT

Ref. No.	Parts No.	Description	Revised	Q'ty	Ref. No.	Parts No.	Description	Revised	Q'ty
○ C- 1-39	413906001	Rotary cam holder body assembly		1	C-48	410176001	Timing belt cover, L		1
1	410202001	Rotary cam holder body		1	○ 49	413928001	Left position sensor board assembly		1
2	410207001	Rotary cam holder, R		1	50	060660406	Screw 3.18 - 40 × 4		1
3	410210001	Rotary cam holder, L		1	51	060660406	Screw 3.18 - 40 × 4		2
4	409197001	Screw with washer		1	○ 52	413920001	Power supply board assembly for 220V/230V/240V		1
○ 5	413907001	Rotary cam		1		414472001	Power supply board assembly for 115V		1
6	410215001	Rotary cam adjuster collar		2	53	409197001	Screw 3.18 × 4		2
7	013680516	Stopper screw		4	54	410475001	Tubular fuse 2A for 220V/230V/240V		1
8	411013001	Washer		1		U15083000	Tubular fuse 2A for 115V		1
9	410216000	Bevel gear Z12		1	○ 55	413943001	Tubular fuse 5A for 220V/230V/240V		1
10	047201042	Spring pin AW2		1	55	U15100000	Tubular fuse 5A for 115V		1
11	410217001	Spacer 6.2 × 19		1	56	410016001	Belt tension control spring		1
○ 12	413910001	Slit disc		1	57	406397001	Screw 3.18 × 5		2
13	047201242	Spring pin AW2		1	58-66	410181002	Pulley assembly		1
14	410219001	Rotary encoder assembly		1	58	410180001	Pulley holder plate		1
15	410223001	Washer 6.3		1	59	410182002	Pulley		1
16	400806004	Washer		1	60	412034000	Pulley adjusting plate		1
17	048025346	Snap ring		1	61	409197001	Screw 3.18 × 4		2
18	410224000	Encoder board holder		1	62	410186001	Timing belt		1
19	409197001	Screw with washer		2	63	410477001	Friction plate		1
20	408068001	Card reader guide stopper		1	64	410479001	Friction plate spring		4
21	060660406	Screw 3.18 - 40 × 4		1	65	410478000	Presser for friction plate spring		1
22	410225001	Rotary cam lever		16	66	048030346	Snap ring		1
23	410226001	Rotary cam lever spring		1	67	413909000	Encoder board holder plate		1
24	410227001	Cam lever spring presser plate		1					
25	060660406	Screw 3.18 - 40 × 4		5					
○ 26-37	414004001	Needle selector solenoid assembly		1					
26	410229001	Solenoid		16					
27	410238001	Solenoid Yoke 16		1					
28	021260206	Nut 2 - 2.6		16					
29	410239001	Armature		16					
30	410240001	Spring for armature		16					
31	410241000	Heat Sink plate for solenoid		1					
32	410327001	Solenoid board		1					
○ 33	414006001	Solenoid cord 1		1					
○ 34	414007001	Solenoid cord 2		1					
36	408481002	Spacer 4 × 7		2					
37	410249001	Screw with washer 3 × 14		2					
38	410243000	Timing belt cover, R		1					
39	060670506	Screw 3.75 - 40 × 5		2					
40	409197001	Screw with washer		6					
41	547262001	Wire binder		1					
○ 42	413925001	Right position sensor board assembly		1					
43	060660406	Screw 3.18 - 40 × 4		1					
○ 44	413912001	Encoder sensor assembly		1					
45a	062660806	Screw 3.18 - 40 × 8		2					
45b	062660506	Screw 3.18 - 40 × 5		2					
○ 46	413911000	Cored cover		1					
47	060630416	Screw 2.38 - 56 × 4		3					

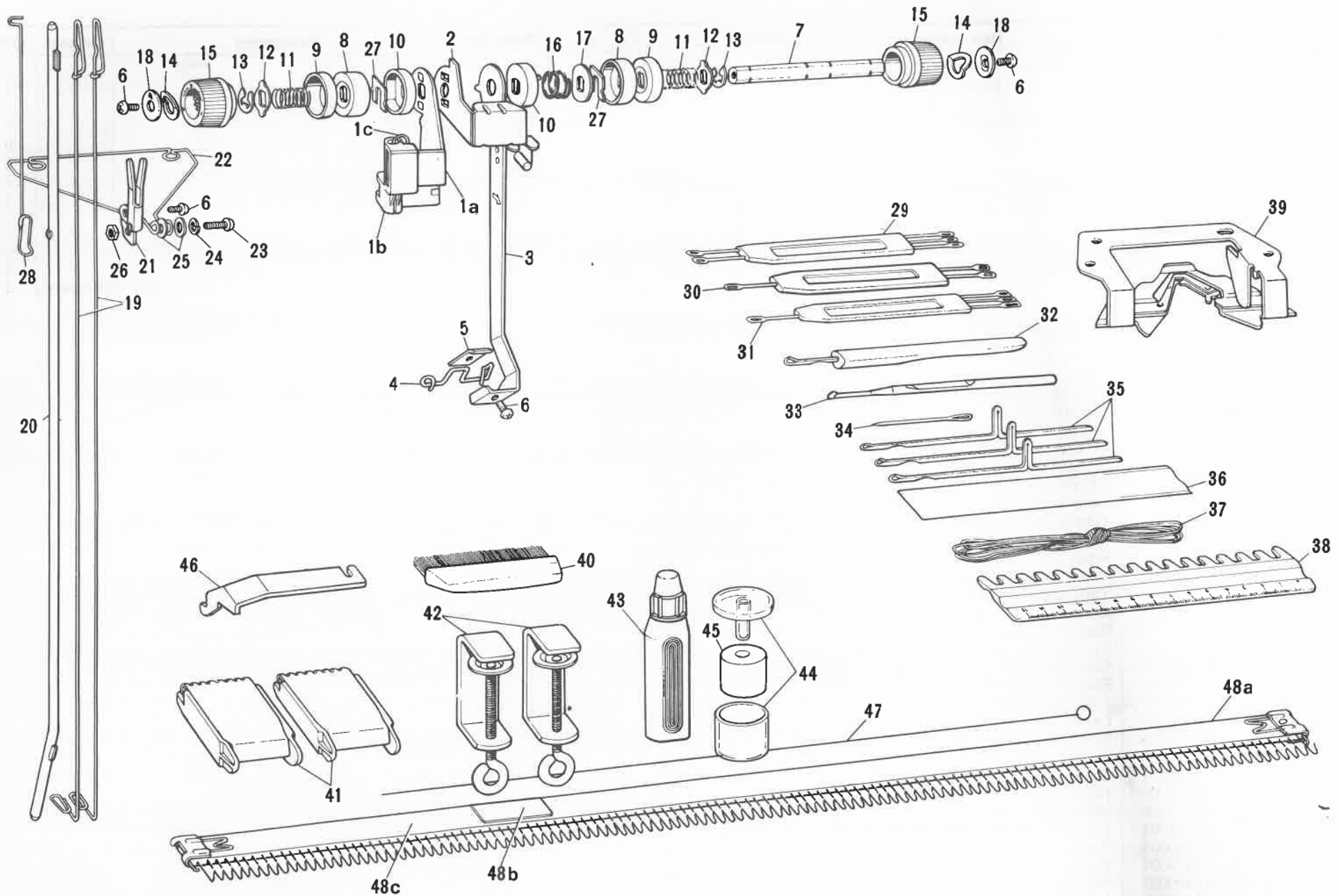


**PARTS FOR CARRYING CASE**

**Fig: D**

# PARTS FOR CARRYING CASE

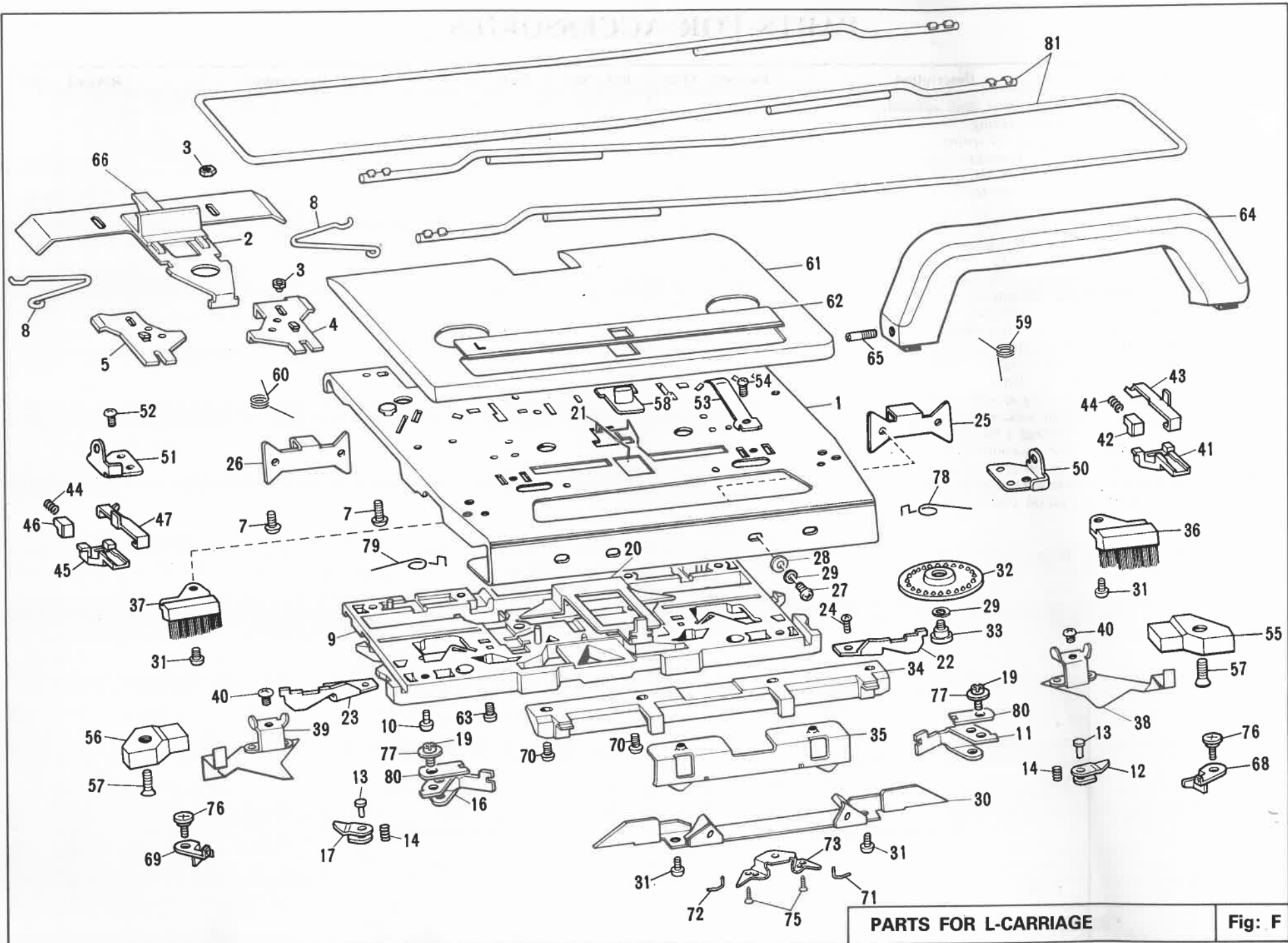
Ref. No.	Parts No.	Description	Revised	Q'ty	Ref. No.	Parts No.	Description	Revised	Q'ty
○		Carrying case complete KH930		1	D- 35	547262001	Wire binder		2
○ D-	1-9	Carrying case upper assembly KH930		1	○ 36		Pattern case		1
	1	412885002 Carrying case upper body		1	○ 37	414351000	Cord protection sheet		1
	2	409692003 Upper side plate, R		1	○ 38	413974001	Main P.C. board assembly		1
	3	409693003 Upper side plate, L		1	39	412048006	Screw 3.18 - 40 × 3		6
	4	408194003 Plastic rivet		8	40	037280816	Screw 2.6 × 8		6
	5	407252001 Square bat 3.18		2	41	409721003	Row counter panel		1
	6	412360001 Screw 3.18 × 6		2	42	410531003	Row counter assembly		1
○	7	413956001 Brother name plate 930		1	43	037351016	Screw 3.5 × 10		2
	8	408784001 Pushing nut		2	44a	413946001	Screw 3.18		1
	9	412859001 Packing instruction sheet		1	44b	410535001	Screw 3.18		2
○		Carrying case lower assembly		1	44c	410529001	Screw 3.18		1
○	10a-k	413935001 Carrying case lower body		1	45	410864001	Screw 3.18 × 14 for Heat sinker (220V/230V/240V)		4
11-17,65b,66		413938001 Lower side plate R, assembly for 220V/230V/240V		1	○ 46-47	408306001	Screw 3.18 × 6 for Heat sinker (115V)		4
		410849002 Lower side plate R, assembly for 115V (UL, CSA)		1	○ 48	413942001	Accessory box assembly		1
		414578001 Lower side plate R, assembly for NEW ZEALAND		1	○ 50	409700001	Filter		1
	11	410519003 Lower side plate, R for 220V/230V/240V		1	51	060660406	Square nut		2
		410876002 Lower side plate, R for 115V (UL, CSA)		1	○ 52	413941001	Screw 3.18 - 40 × 4		2
	12	412033001 AC inlet		1	○ 53	413985001	Connector cover		1
		410816001 AC inlet for NEW ZEALAND		1	54	407261001	Battery		1
	13	410306000 AC inlet clamp		1	55	060660704	Table clamp setting plate		2
	14	060301004 + Screw 3 × 10		2	56	060660704	Screw 3.18 - 40 × 7		4
	15	410410000 Instruction sleeve 4 × 15		1	57	407119001	Screw 4.37		4
	16	410817001 Filter board assembly for 220V/230V/240V		1	58	060660704	Screw 3.18 - 40 × 7		2
		410851001 Filter board assembly for 115V (UL, CSA)		1	59	037300816	Screw 3 × 8		2
	17	410828001 Tubular fuse 1A for 220V/230V/240V		1	60	410891001	Presser for cord clamp		1
		411433001 Tubular fuse 1A for 115V (UL, CSA)		1	61	410830000	Insulation board		1
	18	060670606 Screw 3.57 - 40 × 6		4	62	410829000	Insulation spacer		4
	19a	409699003 Lower side plate, L		1	63	025660336	Washer 3.18		4
○	19b	414005001 Yarn tention support base		1	64	028350246	Spring washer		4
	19c	037281216 Screw 2.6 × 12		4	65	021660206	Nut		4
	20	408194003 Plastic rivet		6	66	410895001	AC inlet cord		1
	21	404022002 Carrying case lock assembly		2	100	410892001	Power switch WK2A5 assembly for 220V/230V/240V		1
	22	404027001 Carrying case lock spring		2	101	410831001	Power cord (220V)		1
	23	403542001 Fastening plate		2	101	410832001	Power cord (115V) for UL & TAIWAN		1
	24	405658001 Fastening screw 3.18		2		411430001	Power cord (115V) for CSA		1
	25	062660504 Fastening screw 3.18 - 40 × 5		2	102	410833001	Power cord (240V)		1
	26	407265000 Needle bed fastening plate		2	103	410834001	Power cord (240V)		1
	27	409640001 Extention rail lock spring, R		1		414581001	Power cord (230V) for NEW ZEALAND		1
	28	409639001 Extention rail lock spring, L		1	104	410854001	Power cord (220V)		1
	29	410818000 Heat sinker plate for 220V/230V/240V		1					
		410517000 Heat sinker plate for 115V		1					
○	30	413961001 Power transformer for 220V		1					
○		414580001 Power transformer for 230V		1					
○		414478001 Power transformer for 115V		1					
	31	410400001 Primary cord for 115V		1					
	32	410410000 Insulation sleeve 4 × 15 for 115V		1					
	33	410309001 Power switch-1801 for 115V		1					
○	34	413936301 Operation P.C. board assembly		1					



**PARTS FOR ACCESSORIES** **Fig: E**

## PARTS FOR ACCESSORIES

Ref. No.	Parts No.	Description	Revised	Q'ty	Ref. No.	Parts No.	Description	Revised	Q'ty
E- 1-28	412183001	Yarn tension unit assembly		1					
19	404755001	Take-up spring		2					
28	408614001	Sub take-up spring		1					
29	402631005	2 × 3 Transfer tool		1					
30	402576005	1 × 2 Transfer tool		1					
31	402575005	1 × 3 Transfer tool		1					
32	407458004	Latch tool		1					
33	402577001	Crochet		1					
34	402714001	Tapestry needle		1					
35	407113001	Plain needle		3					
36	407483000	Spare needle case		1					
37	402389001	Cast-on thread		1					
38	407482004	1/1 Needle pusher		1					
39	410971001	Plating yarn feeder assembly		1					
40	403552004	Hand brush		1					
41	404883007	Claw weight		2					
42	409198001	Table clamp		2					
43	405135004	Knitting machine oil		1					
44-45	487221001	Yarn wax with case		1					
46	409756001	Carriage lock		1					
48a-c	412878001	Cast-on comb assembly		1					
48a	412879001	Cast-on comb, long		1					
48b	411365000	Connecting plate		1					
48c	412881001	Cast-on comb, short		1					



PARTS FOR L-CARRIAGE

Fig: F



# PARTS FOR L-CARRIAGE

Ref. No.	Parts No.	Description	Revised	Q'ty	Ref. No.	Parts No.	Description	Revised	Q'ty
○ F- 1-80	413953001	L carriage assembly KH930		1	F- 54	060660406	Screw 3.57 - 40 × 4		2
1	410481001	L carriage plate		1	55	407454000	Magnet, R		1
2	410483001	Release button plate		1	56	407578000	Magnet, L		1
3	408166001	Stud for release button plate		4	57	061661006	Screw		2
4	410484001	Connecting plate R for L carriage		1	○ 58	409744005	Lace selecting knob (White)		1
5	410485001	Connecting plate L for L carriage		1	○	409744006	Lace selecting knob (Beige)		1
7	060660706	Screw 3.18 - 40 × 7		4	59	412148001	L valve cam C spring, L		1
8	410486001	Connecting plate spring		2	60	412147001	L valve cam C spring, R		1
9	412138001	Main cam		1	○ 61-62	413954001	L carriage cover		1
10	060660806	Screw 3.18 - 40 × 8		2	○ 62	413955001	L carriage cover decoration plate		1
11	410578001	Separation cam R for L carriage		1	63	060660406	Screw 3.18 - 40 × 4		2
12	408132001	Raising cam right for L carriage		1	○ 64	409948007	L carriage handle (White)		1
13	410579001	Shaft for separation cam		1	○	409748008	L carriage handle (Beige and White)		1
14	408134001	Raising cam spring		1	65	409751001	Screw		2
16	410581001	Separation cam L for L carriage		1	○ 66	410585005	Release button (White)		1
17	408137001	Raising cam left for L carriage		1	○	410585006	Release button (Beige)		1
19	060660706	Screw 3.18 - 40 × 7		2	68	412145001	L valve cam C, R		1
20	408582001	Lace selecting cam		1	69	412146001	L valve cam C, L		1
21	408583001	Change lever spring		1	70	060660806	Screw 3.18 - 40 × 8		4
22	410583001	Right end needle separation cam for L		1	71	412141001	L valve cam B, R		1
23	410584001	Left end needle separation cam for L		1	72	412142001	L valve cam B, L		1
24	410592001	+ - Screw 3.18 × 12		2	73	410575001	Reinforcing cam A		1
25	410494001	Needle transfer plate R		1	75	040210812	Screw 2 × 8		2
26	410495001	Needle transfer plate L		1	76	409528001	Lever shaft		2
27	060660504	Screw 3.18 - 40 × 5		4	77	403069001	Washer 3.3		2
28	403069001	Washer		4	78	410966001	R end needle selection change spring		1
29	028030243	Spring washer		6	79	410967001	L end needle selection change spring		1
30	408573001	Cam plate		1	80	412898000	Separation cam plate		2
31	060660406	Screw 3.18 - 40 × 4		4	81	412205001	Extension rail		2
32	411003001	Wheel brush		2					
33	405029001	Stud Screw		2					
34	407490000	Front foot		1					
35	408579000	Front foot holder		1					
36	408580003	Small brush, R		1					
37	408581003	Small brush, L		1					
38	408561001	Spring plate, R		1					
39	408562001	Spring plate, L		1					
40	060660406	Screw 3.18 - 40 × 4		2					
41	410957002	R end needle selection cam for L		1					
42	410959001	R end needle selection change cam for L		1					
43	410958001	R end needle selection plate for L		1					
44	410963001	End needle selection cam spring for L		2					
45	410960002	L end needle selection change cam for L		1					
46	410962001	L end needle selection change cam for L		1					
47	410961001	L end needle selection plate for L		1					
50	409740001	Handle setting base, R		1					
51	409739001	Handle setting base, L		1					
52	060670506	Screw 3.57 - 40 × 5		2					
53	407522001	Handle lock spring		2					