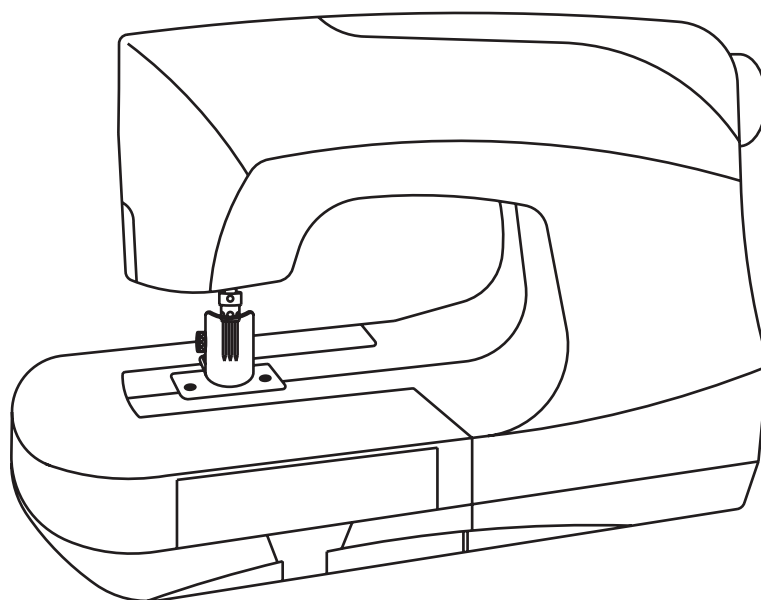
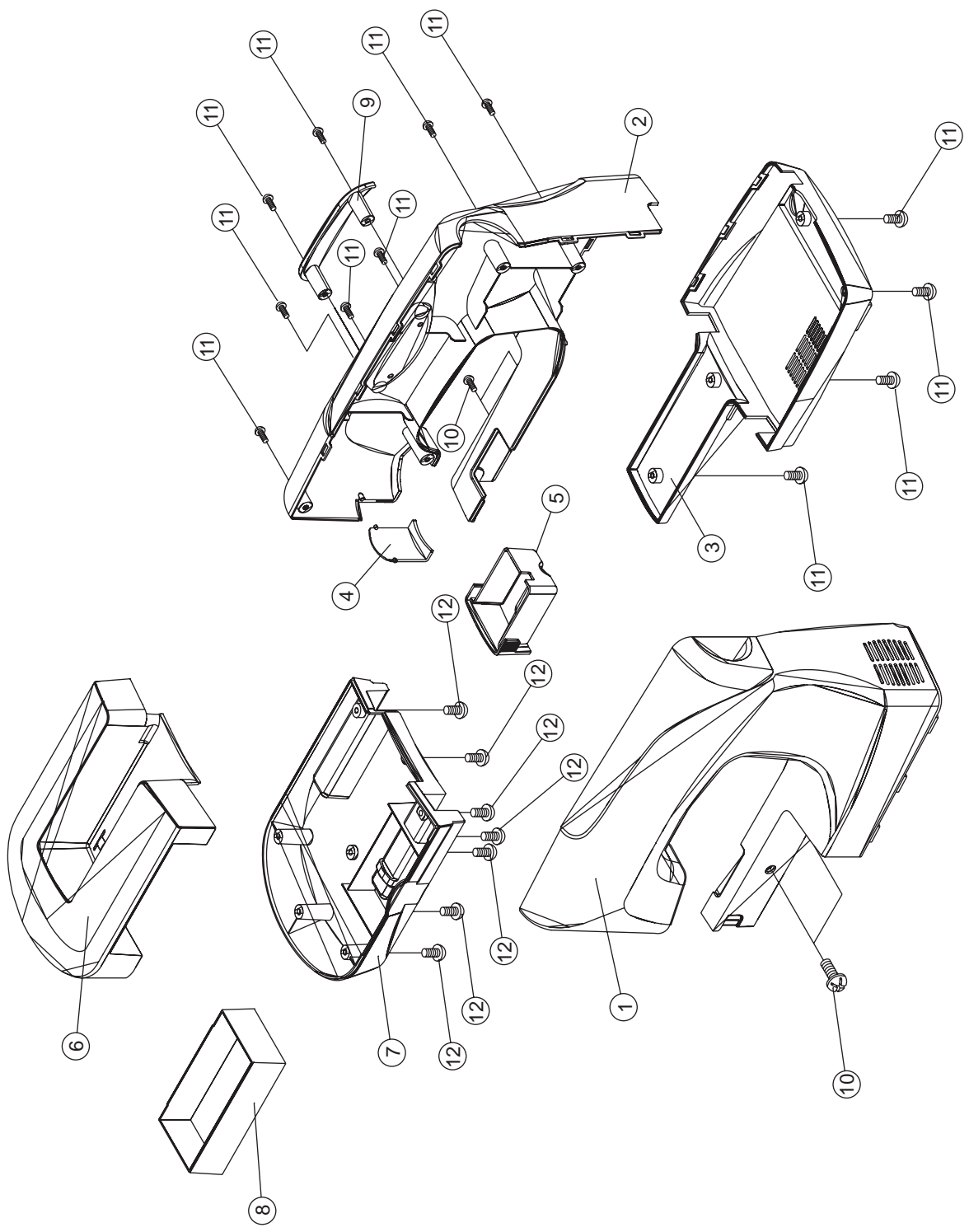


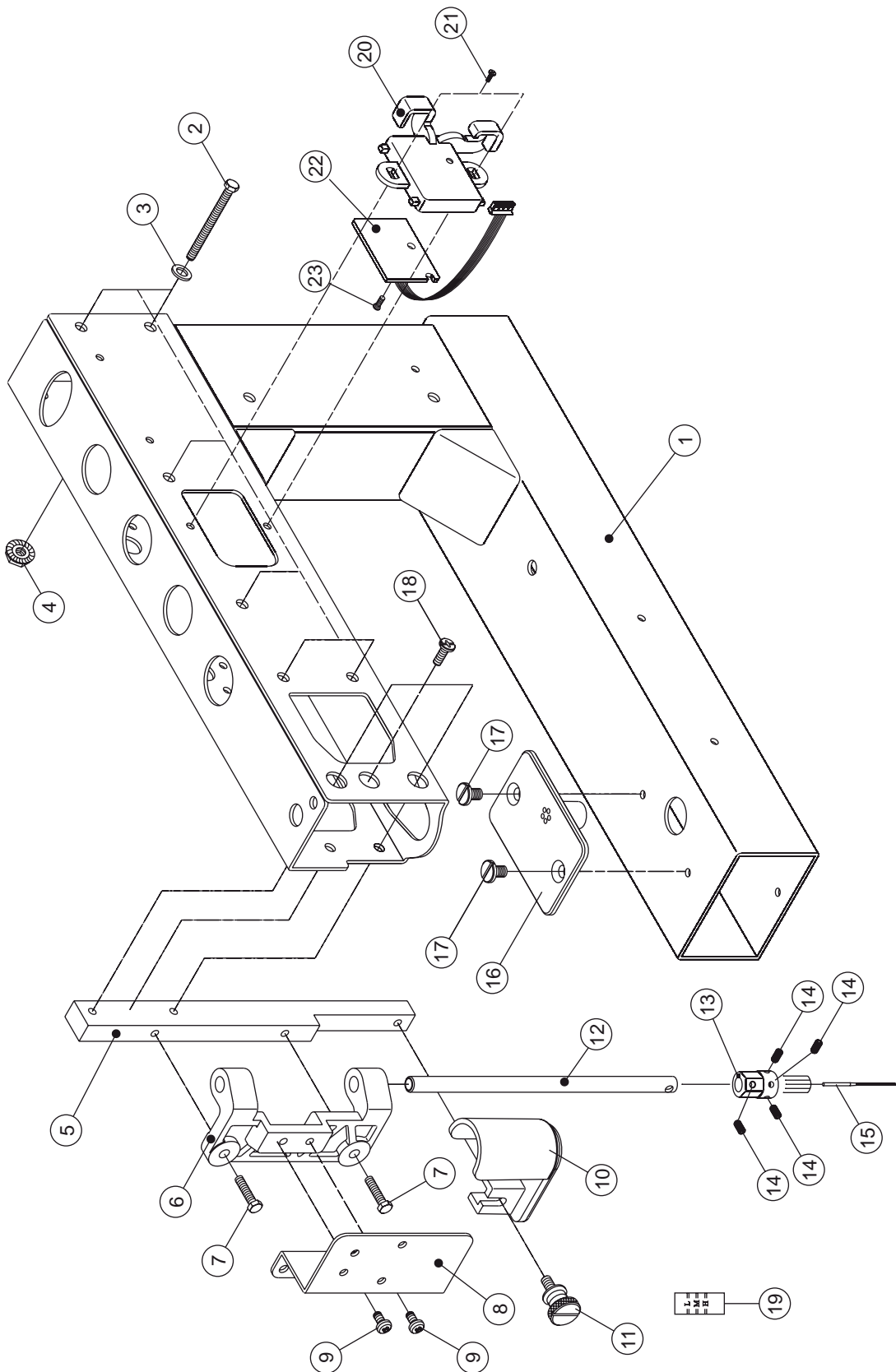
PARTS LIST



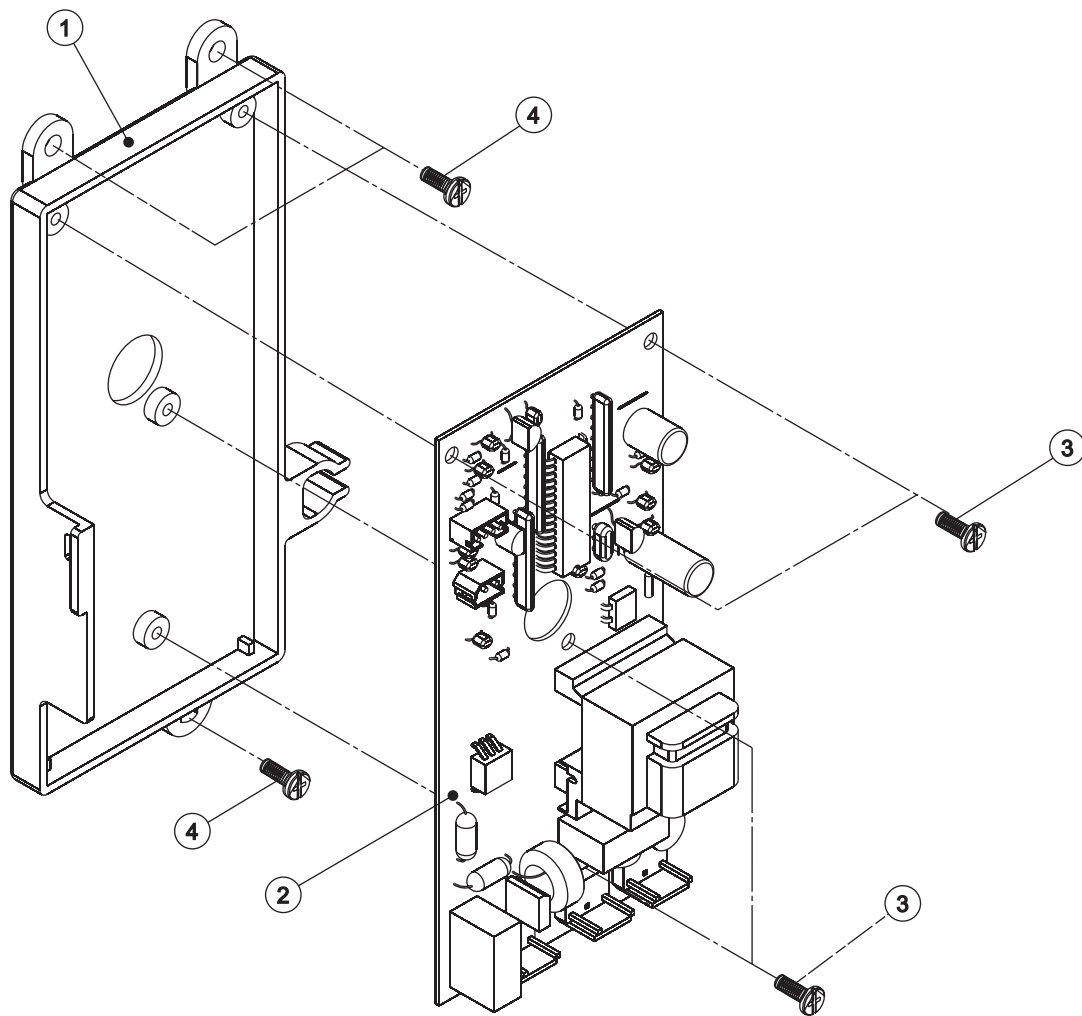
ER-10



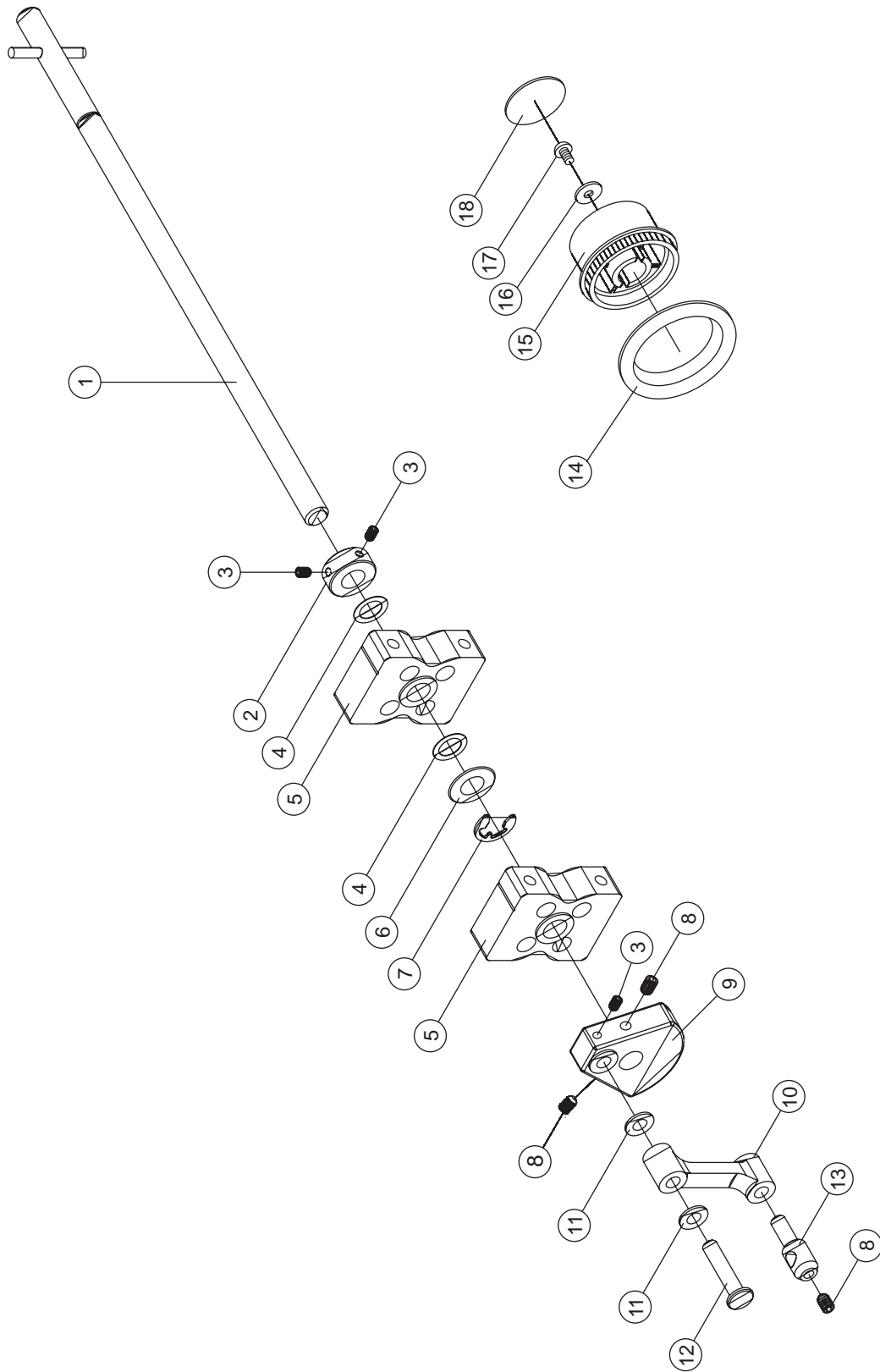
No.	Parts No.	Parts Name
1	N/A	Front cover
2	N/A	Back cover
3	416 31 90-01	Base plate
4	N/A	Bulb cover
5	416 29 09-01	Chip box
6	416 29 10-01	Extension table cover
7	N/A	Extension table base
8	416 29 12-01	Accessory box
9	416 31 82-01	Handle ER10
10	N/A	Set screw
11	N/A	Set screw
12	N/A	Set screw



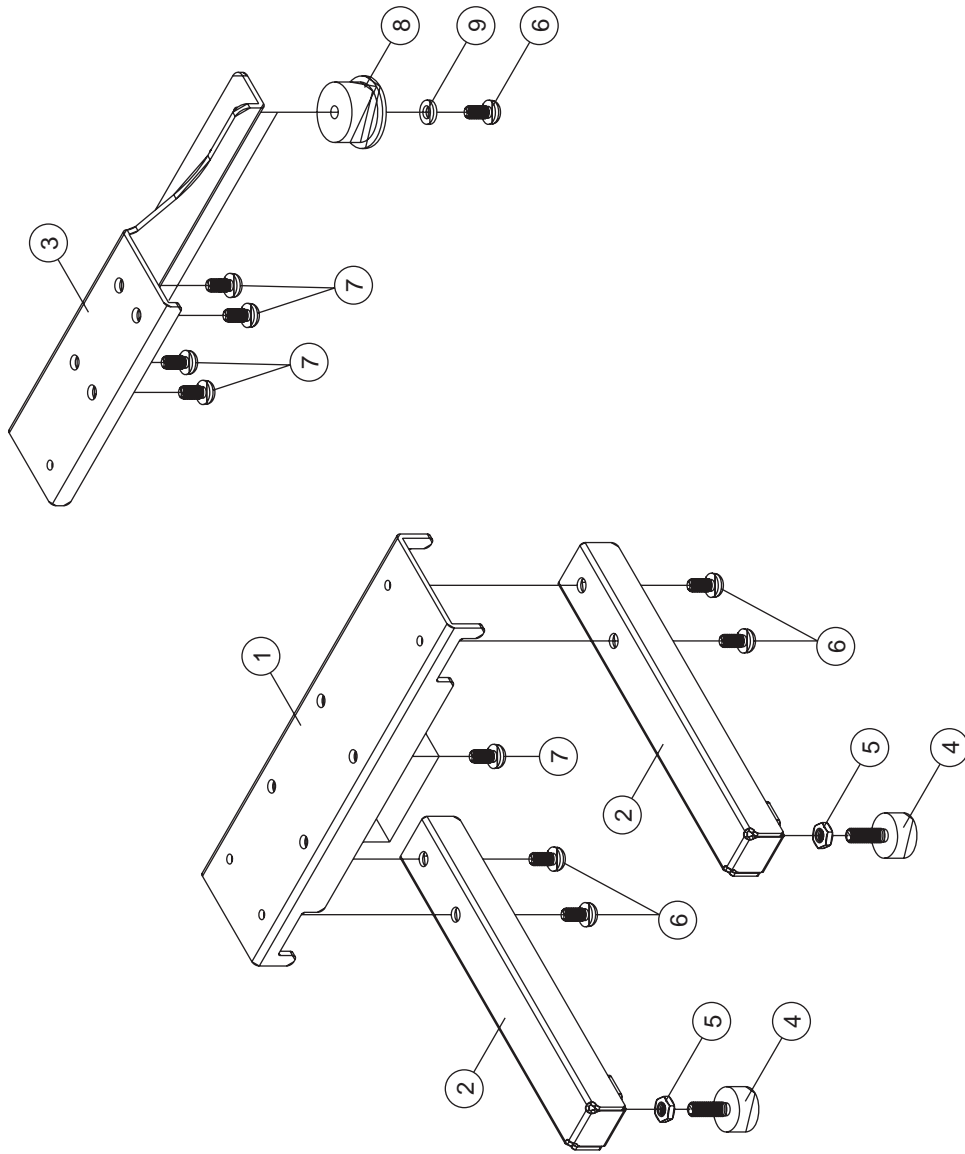
No.	Parts No.	Parts Name
2	N/A	Set screw
3	N/A	Washer
4	N/A	Nut
5	N/A	Presser bar
6	N/A	Needle bar holder
7	N/A	Set screw
8	N/A	Bulb holder
9	N/A	Set screw
10	416 29 25-01	Presser foot
11	416 29 26-01	Set screw
12	416 29 27-01	Needle bar
13	416 29 29-01	Needle clamp
14	416 29 30-01	Set screw
15	416 29 32-01	Needle
16	416 29 33-01	Stitch plate
17	416 29 34-01	Set screw
18	N/A	Set screw
19	N/A	Sticker
20	N/A	Needle up wheel holder
21	N/A	Set screw
22	N/A	Sensor board
23	N/A	Set screw



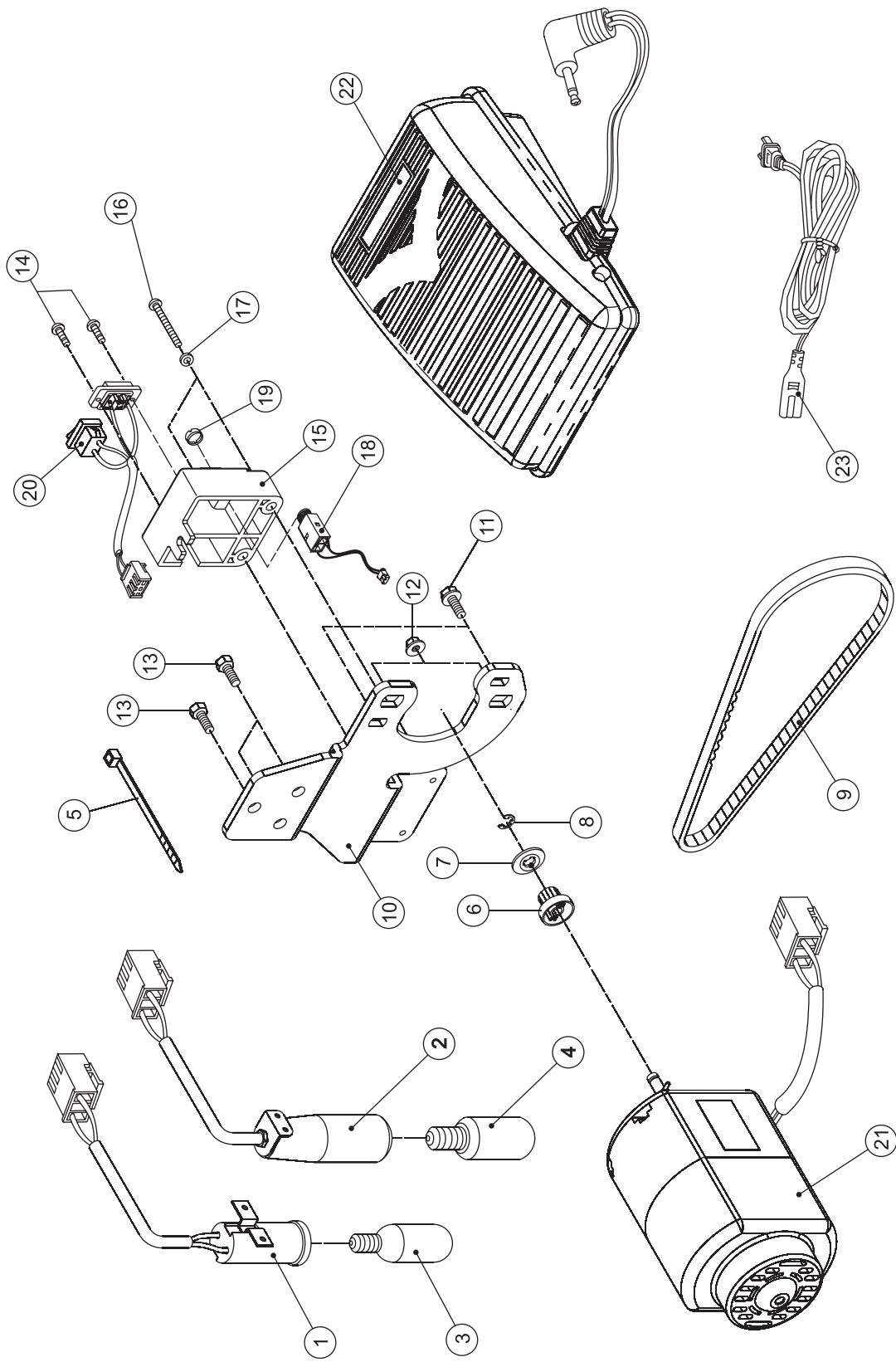
No.	Parts No.	Parts Name
1	N/A	Control Board Holder
2	4163022-01	Control Board (120 V)
	4163023-01	Control Board (230 V)
3	N/A	Set Screw
4	N/A	Set Screw



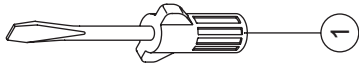
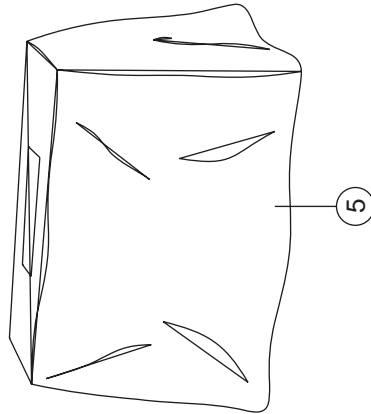
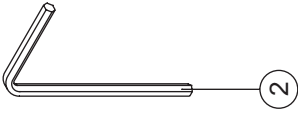
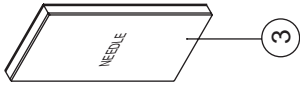
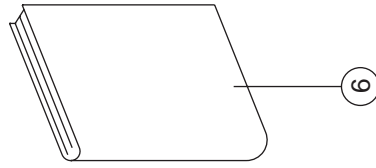
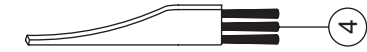
No.	Parts No.	Parts Name
1	N/A	Main shaft set
2	N/A	Setting collar
3	N/A	Set screw
4	N/A	Washer
5	N/A	Main shaft bushing
6	N/A	Washer
7	N/A	E ring
8	N/A	Set screw
9	N/A	Cam
10	416 29 55-01	Needle bar connecting bar
11	416 29 56-01	Washer
12	416 29 57-01	Connecting pin
13	416 29 58-01	Needle bar setting link
14	416 29 59-01	Handwheel setting collar
15	416 30 19-01	Handwheel
16	416 29 61-01	Washer
17	416 29 62-01	Set screw
18	416 29 63-01	Handwheel decorate plate



No.	Parts No.	Parts Name
1	N/A	Extension bar holder
2	416 29 65-01	Extension bar
3	N/A	Rubber holder
4	416 30 12-01	Set Screw
5	416 29 20-01	Nut
6	N/A	Set screw
7	N/A	Set screw
8	416 30 10-01	Rubber
9	N/A	Washer
10	416 30 13-01	Rubber



No.	Parts No.	Parts Name
1	N/A	Lighting set(120v)
2	415 53 63-01	Light bulb (110V / 15W) : USA
3	N/A	Lighting set(240v)
4	415 50 85-01	Light bulb (240V / 15W) : EU / AUST
5	N/A	Cord clip
6	416 30 21-01	Timing belt pulley
7	416 29 87-01	Timing belt pulley cover
8	N/A	E ring
9	416 30 09-01	Timing belt
10	N/A	Motor supporter
11	N/A	Set screw
12	N/A	Nut
13	N/A	Set screw
14	N/A	Ser Screw
15	N/A	Machine socket
16	N/A	Set screw
17	N/A	Washer
18	416 30 24-01	Earphone type socket
19	N/A	Nut
20	416 30 25-01	Power and socket set
21	416 30 16-01	Motor 115V
	416 30 18-01	Motor 230V
22	416 30 17-01	Foot Controller (DC 15V)
23	412 15 78-01	Cord device, stand
	412 15 79-01	Cord USA, Canada
	412 15 80-02	Cord device, UK
	412 15 81-01	Cord device,Australia



No.	Parts No.	Parts Name
1	412 28 90-01	Screw driver
2	411 66 89-01	Hexagon wrench
3	416 30 08-01	Needle x 5 L37 x D1.2 x T0.6
	620 07 92-96	Needle x 5 L37 x D1.2 x T0.7
4	401 55 55-01	Cleaning brush
5	416 30 07-01	Dust cover
6	413 08 41-01	OPERATING MANUAL , SWE
	413 08 41-06	OPERATING MANUAL , DAN
	413 08 41-11	OPERATING MANUAL , FIN
	413 08 41-21	OPERATING MANUAL , NOR
	413 08 41-46	OPERATING MANUAL , SPA
	413 08 41-56	OPERATING MANUAL , RUS
	413 08 41-91	OPERATING MANUAL , ENG/GER/FRE/ITA/DUTCH