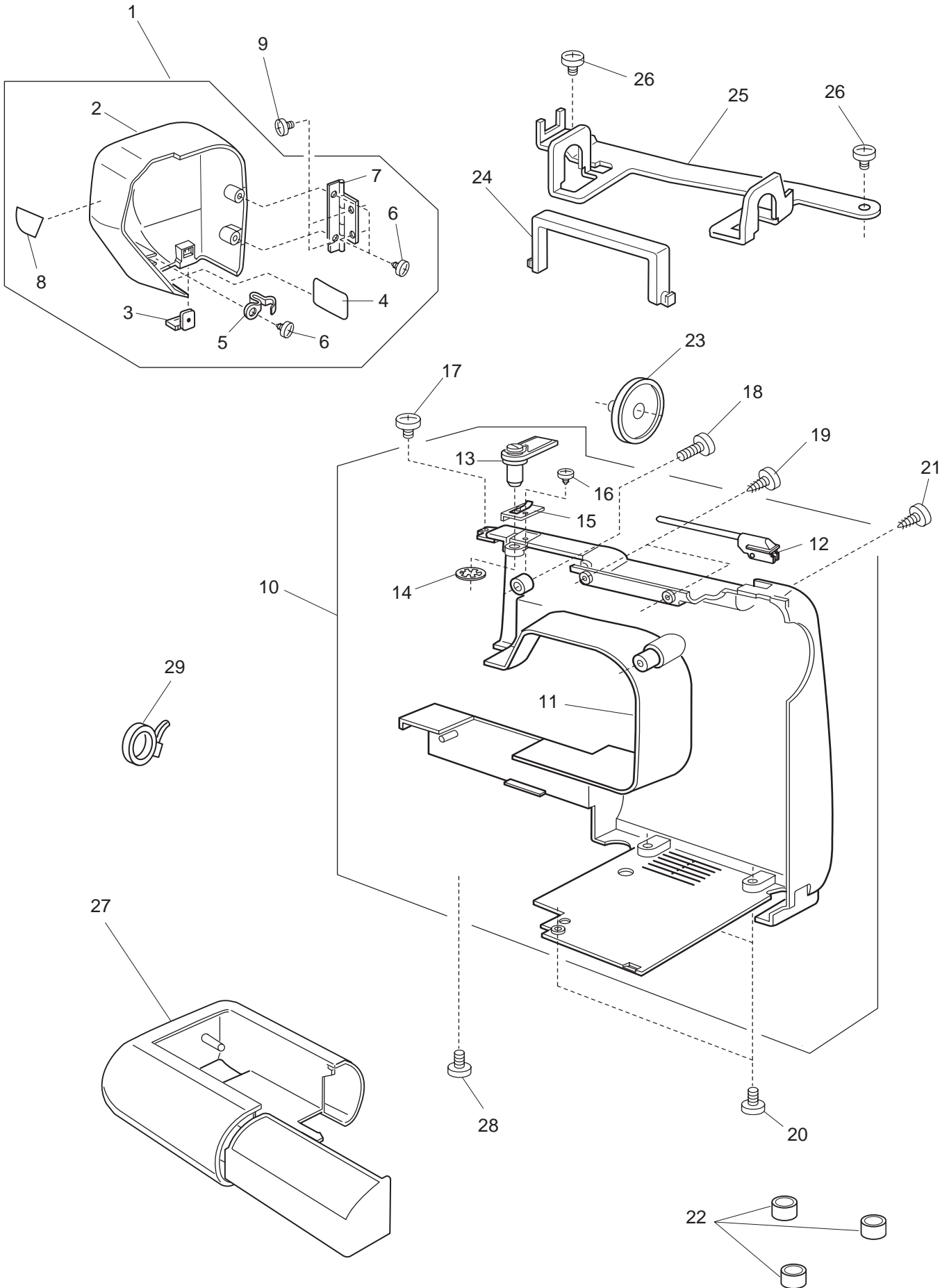


PARTS LIST

MODEL: 520

elna

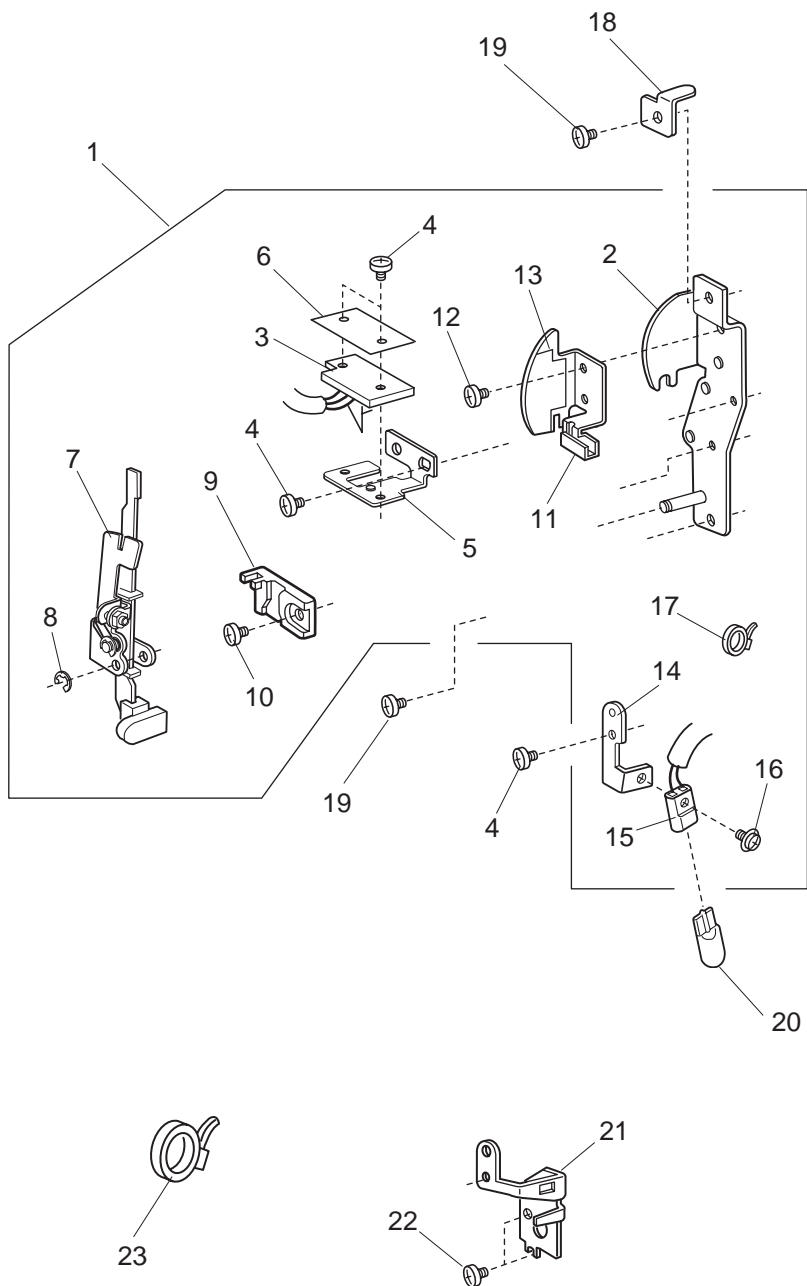
PARTS LIST



PARTS LIST

KEY NO.	PARTS NO.	DESCRIPTION
1	843653920	Face plate (unit)
2	843128208	Face plate
3	840602006	Thread cutter (unit)
4	827099003	Face plate sticker
5	731067002	Spring
6	000161206	Setscrew 3x10 (B)
7	843545009	Face plate hinge (unit)
8	843129807	Plate
9	000081119	Setscrew TP4x6
10	843646207	Rear cover (unit)
11	843126125	Rear cover
12	659067005	Spool pin
13	650503702	Thread guide (unit)
14	000014409	Snap ring CS-8
15	827503005	Top cover thread guide (unit)
16	000162001	Setscrew 2.6x5 (B)
17	810220003	Setscrew
18	000104119	Setscrew 4x20
19	000161309	Setscrew 3x12 (B)
20	000103509	Setscrew 4x10
21	000119601	Setscrew 4x25 (B)
22	647009002	Bed rubber foot
23	822020503	Spool cap (large)
24	751100000	Carrying handle
25	843005002	Carrying handle base plate
26	000081005	Setscrew 4x8
27	843127001	Extension table (unit)
28	000115205	Setscrew TP4x6
29	000053008	Cord binder

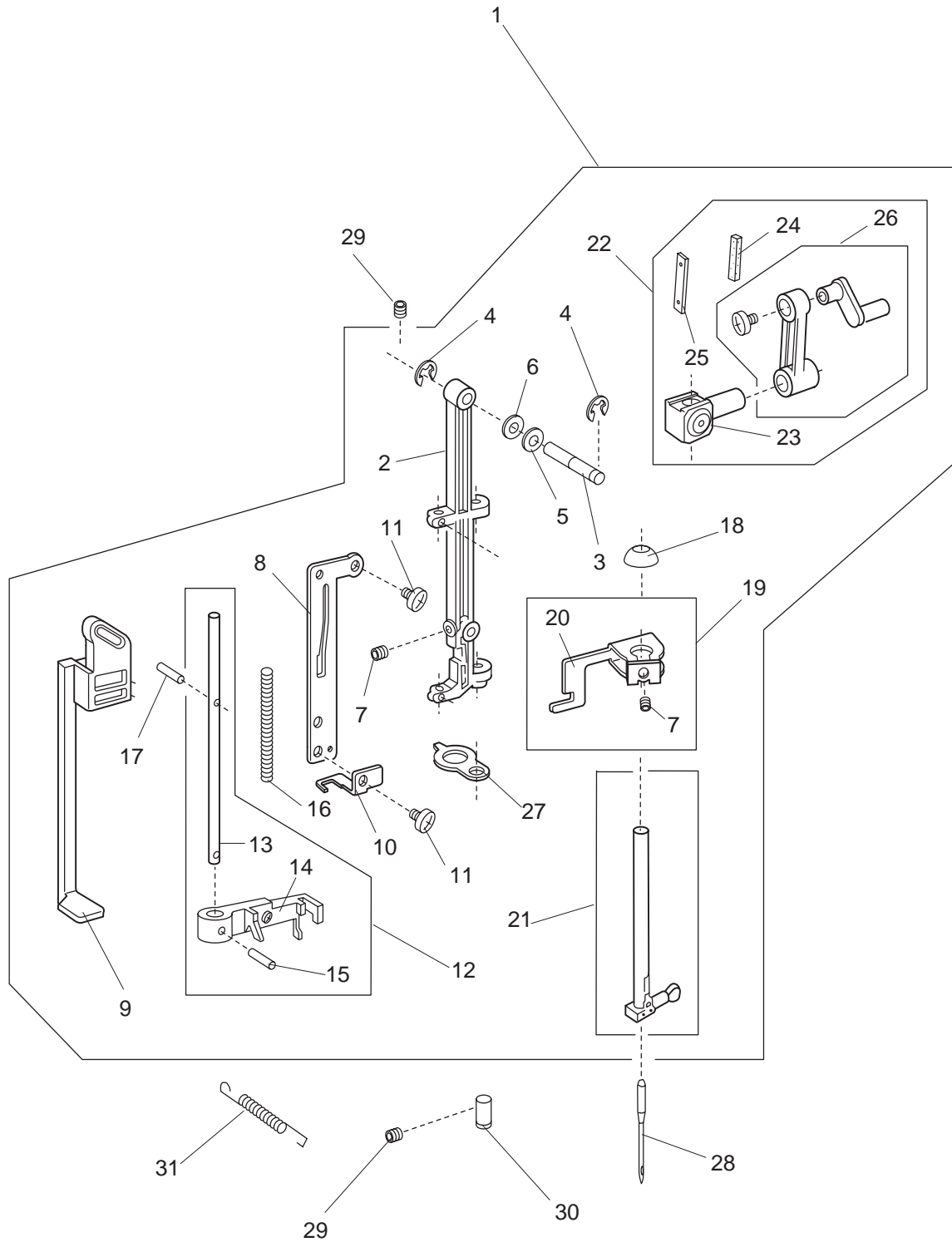
PARTS LIST



PARTS LIST

KEY NO.	PARTS NO.	DESCRIPTION
1	PREFISSO "J" 843623703	Front base plate (unit)
2	827028012	Front base plate
3	843502004	Printed circuit board E-1 (unit)
4	000101105	Setscrew 3x4
5	844040013	BH sensor set plate
6	845029008	Insulation paper
7	843625107	BH lever (unit)
8	000002105	Snap ring E-3
9	PREFISSO "J" 830057010	BH lever guide
10	000103808	Setscrew 3x5
11	827029013	Cord guide plate
12	652203004	Setscrew 3x3.5
13	829016002	Sticker
14	PREFISSO "J" 843055007	Lamp set plate (2)
15	843508000	Lump socket (uint)
16	000115308	Setscrew TP2x8
17	PREFISSO "J" 000053709	Cord binder
18	827106004	Set plate
19	000081005	Setscrew 4x8
20	000026002	Wedge base lamp 12V 5W
21	843038004	Lamp set plate (1)
22	000101507	Setscrew 3.5x5
23	PREFISSO "J" 000053101	Cord binder

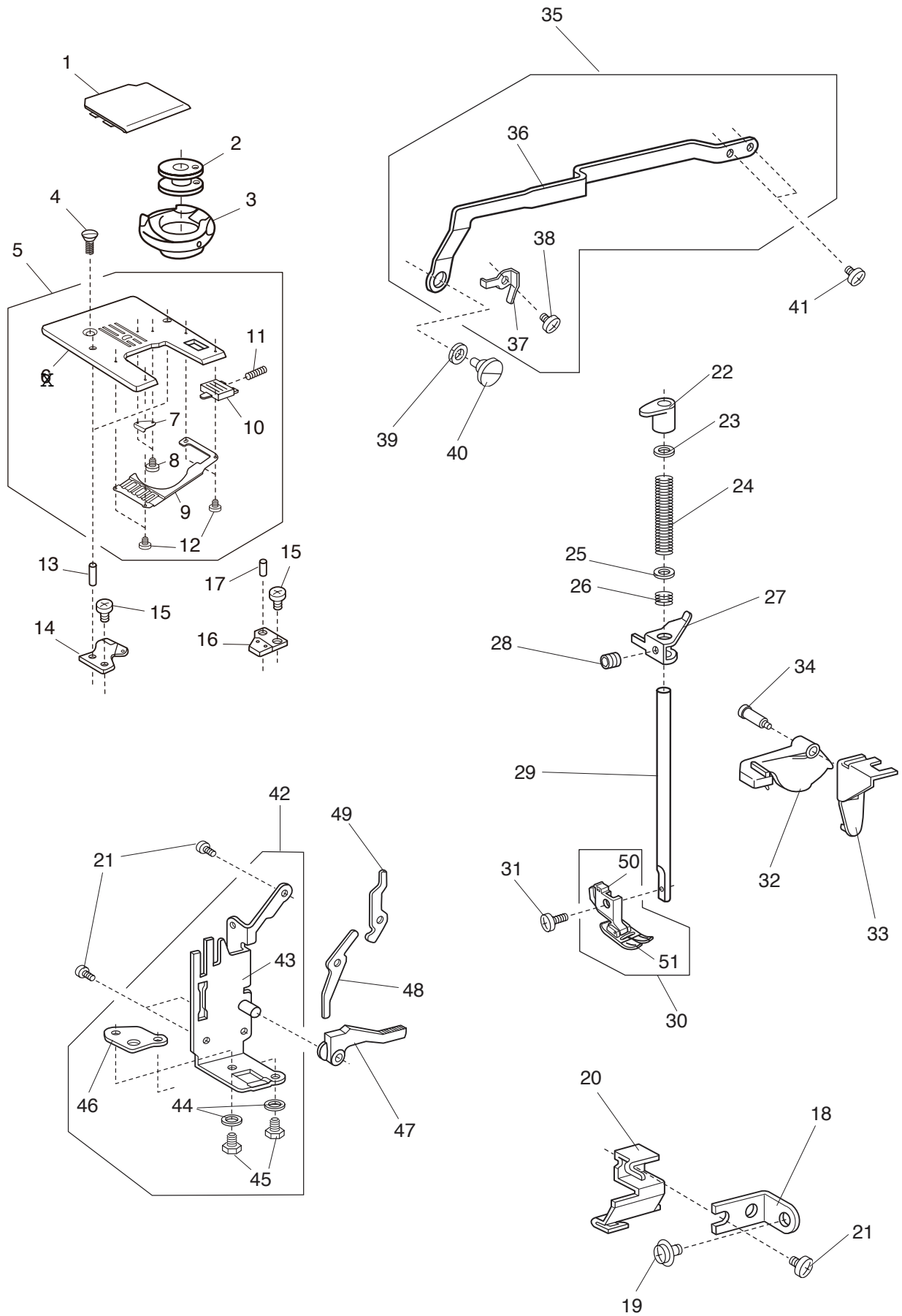
PARTS LIST



PARTS LIST

KEY NO.	PARTS NO.	DESCRIPTION
1	840647003	Needle bar supporter (unit)
2	827026010	Needle bar supporter
3	730022002	Needle bar supporter pin
4	000002507	Snap ring E-4
5	000070609	Washer
6	673022002	Washer
7	000111902	Hexagonal socket screw 3x4
8	840033000	Thread guide plate
9	840034001	Needle threader lever
10	840037004	Needle threader lever set plate
11	000078319	Setscrew 3x6
12	840646002	Needle threader bar (unit)
13	840036003	Needle threader bar
14	755643002	Threader plate (unit)
15	000003508	Pin 2x8
16	840035002	Needle threader spring
17	000125105	Pin E-2x6-CH
18	827098013	Washer
19	807607008	Threader position set plate (unit)
20	807018006	Threader position set plate
21	653503103	Needle bar (unit)
22	843652000	Needle bar connecting stud (unit)
23	639516002	Needle bar connecting stud (unit)
24	650040005	Felt
25	650041006	Felt holder spring
26	843543007	Needle bar crank pin (unit)
27	829027006	Supporter guide plate
28	102408089	Needle HA1-14
29	000111201	Hexagonal socket screw 4x4
30	827083004	Supporter guide plate pin
31	827092006	Supporter spring

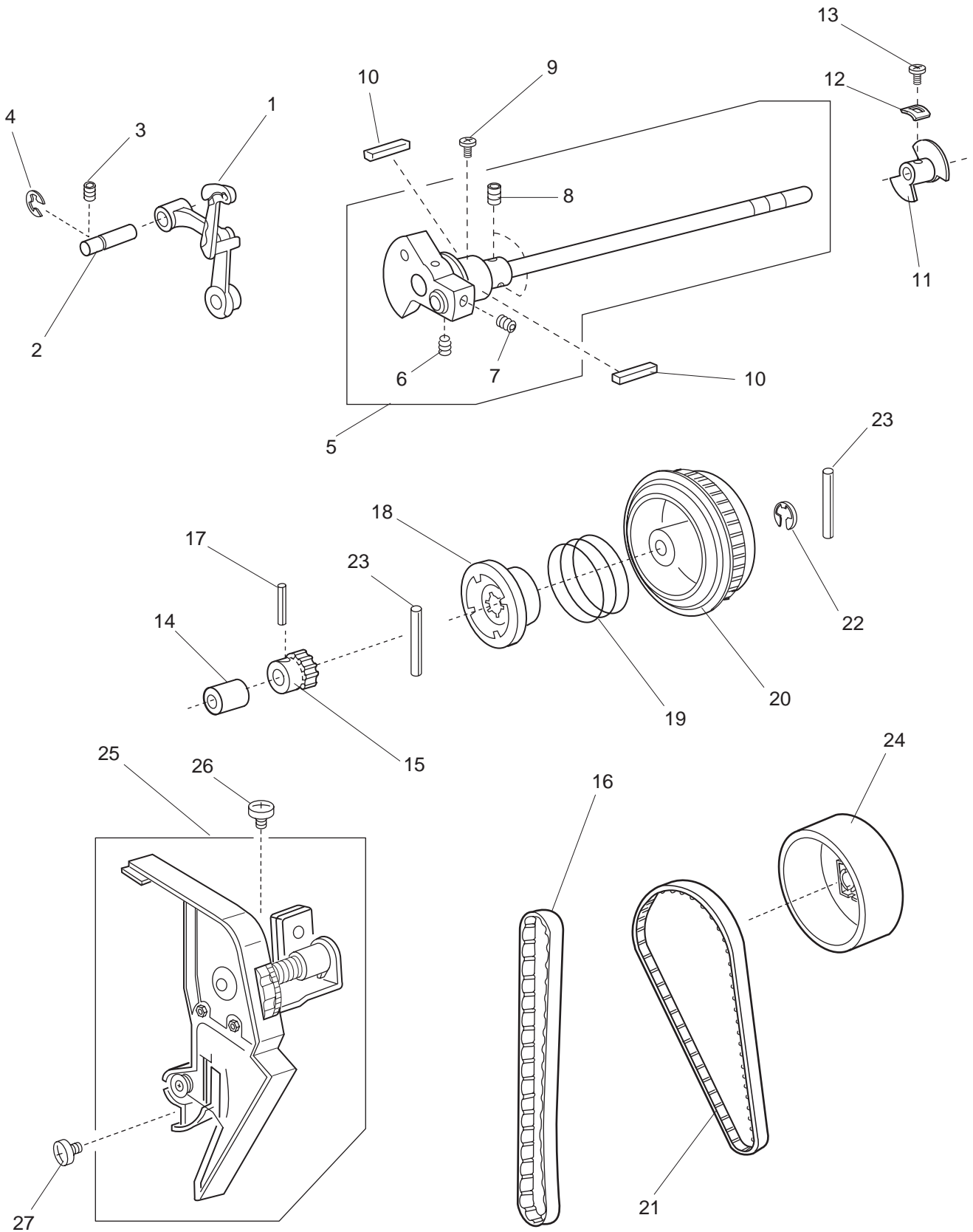
PARTS LIST



PARTS LIST

KEY NO.	PARTS NO.	DESCRIPTION
1	750036012	Hook cover plate
2	102261000	Bobbin
3	627569106	Bobbin holder (unit)
4	PREFISSO "J" 681009101	Needle plate set screw
5	756604509	Needle plate (unit)
6	756608105	Needle plate
7	654078004	Rotation stopper
8	820373003	Setscrew 2x3
9	751374007	Hook cover plate holder
10	825016000	Hook cover plate holder release button
11	825017001	Hook cover plate holder spring
12	820374004	Setscrew 2x2.3
13	PREFISSO "J" 000122504	Pin D3x10CH
14	827011001	Bobbin holder stopper
15	810220003	Setscrew
16	627567001	Bobbin holder stopper (unit)
17	000122700	Pin D2.5x6-LC
18	827037003	Front panel set plate
19	000115205	Setscrew 4x6
20	PREFISSO "J" 827036002	Arm thread guide
21	000081005	Setscrew 4x8
22	PREFISSO "J" 652104004	Bushing
23	652201002	Washer
24	826006000	Presser bar spring
25	826055004	Washer
26	826056005	Spring
27	735028003	Presser bar supporter
28	000111500	Hexagonal socket screw 4x8
29	PREFISSO "J" 827021004	Presser bar
30	660509008	Presser foot (unit)
31	660106001	Setscrew
32	829013009	Presser foot pressure adjusting lever
33	829014000	Presser foot pressure adjusting plate
34	PREFISSO "J" 820090003	Setscrew
35	827622012	Zigzag rod (unit)
36	827055018	Zigzag rod
37	827088009	Zigzag rod spring
38	820373003	Setscrew 2x3
39	653037008	Washer
40	PREFISSO "J" 678084007	Eccentric pin
41	000078319	Setscrew 3x6
42	PREFISSO "J" 827608012	Presser base plate (unit)
43	827020014	Presser base plate
44	000070908	Washer 4
45	000066303	Hexagonal bolt 4x6
46	827082003	Foot regulating plate
47	735029200	Presser foot lifter
48	827022005	Tension release lever (1)
49	827023006	Tension release lever (2)
50	660806008	Presser foot holder (unit)
51	832523007	Zigzag foot (unit)

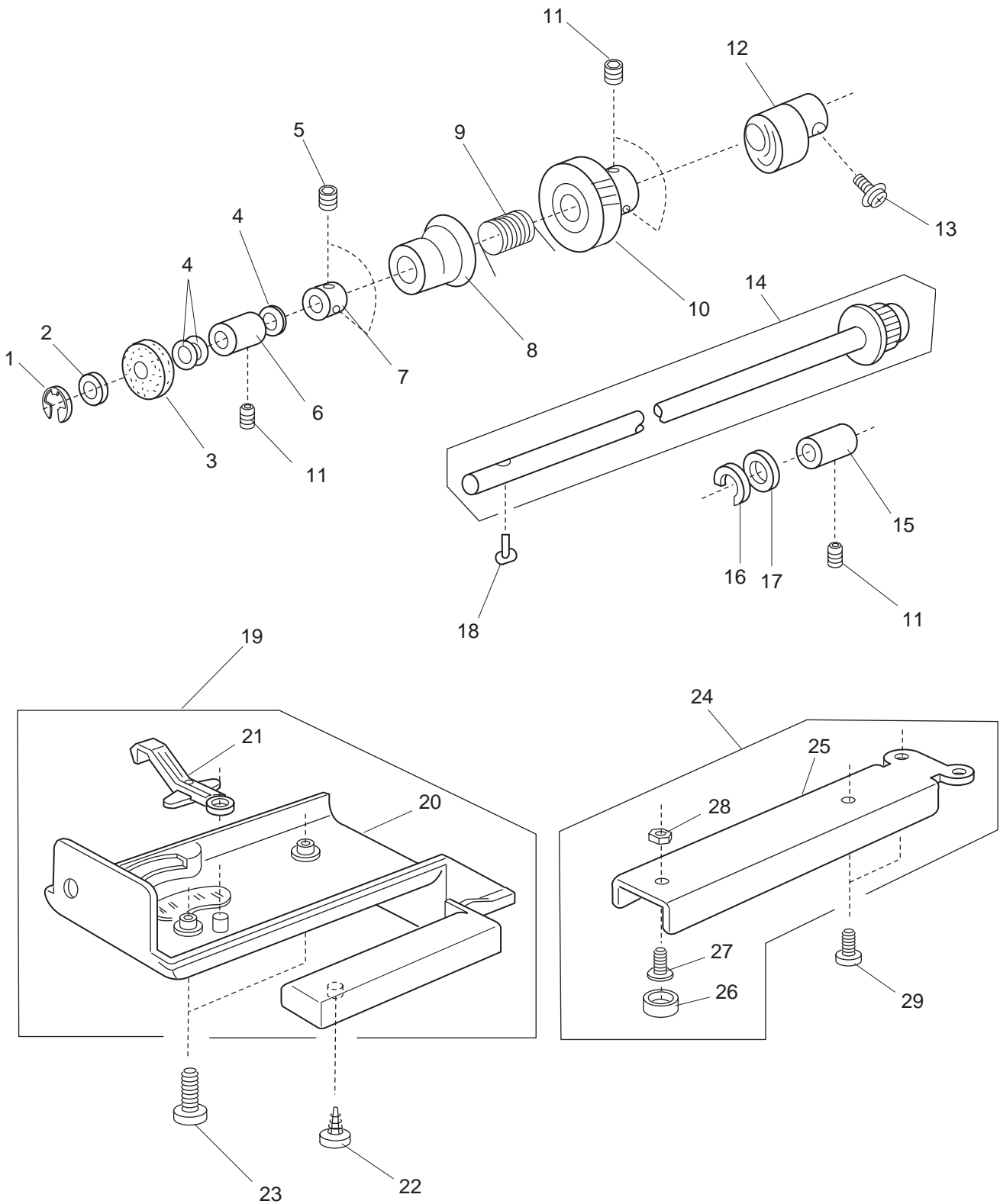
PARTS LIST



PARTS LIST

KEY NO.	PARTS NO.	DESCRIPTION
1	820511108	Thread take-up lever (unit)
2	650062003	Thread take-up lever pin
3	000111201	Hexagonal socket screw 4x4
4	000002806	Snap ring E-6
5	843643101	Upper shaft (unit)
6	000111706	Hexagonal socket screw 5x8
7	000110901	Hexagonal socket screw 5x4
8	000111304	Hexagonal socket screw 5x5
9	000172602	Setscrew 5x8
10	731384008	Felt
11	830095010	Upper shaft shielding plate
12	820102009	Washer
13	000081005	Setscrew 4x8
14	673062004	Upper shaft bushing (rear)
15	756017004	Upper shaft gear
16	650071005	Timing belt
17	000020501	Spring pin 3x22
18	502064003	Clutch ring
19	502065004	Clutch spring
20	844050016	Belt wheel
21	653139012	Timing belt
22	000030205	Snap ring E-8
23	000024206	Spring pin 3x30
24	844077008	Handwheel
25	843538009	Thread tension (unit)
26	000101404	Setscrew 4x6
27	000101703	Setscrew 4x12

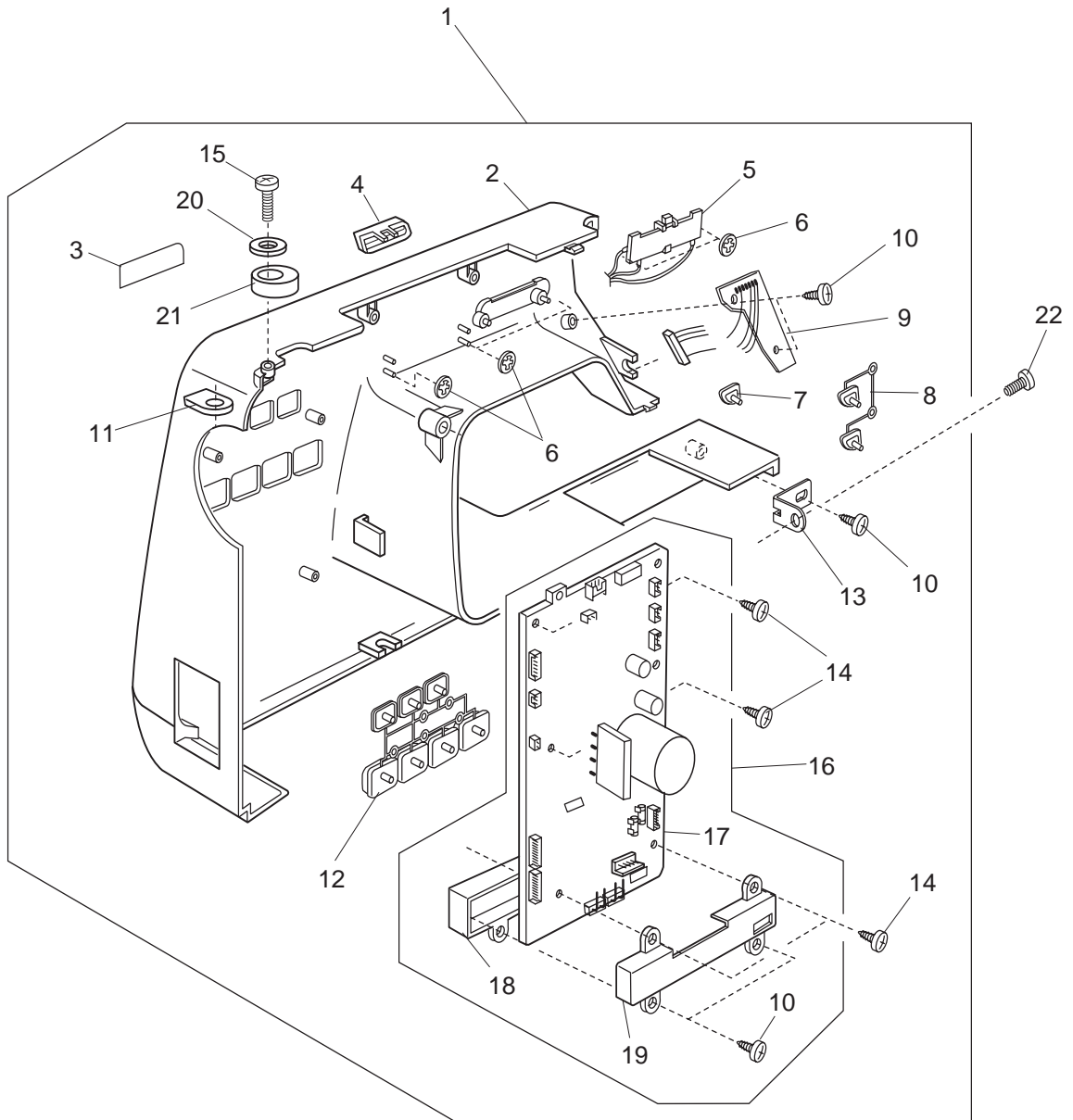
PARTS LIST



PARTS LIST

KEY NO.	PARTS NO.	DESCRIPTION
1	000002806	Snap ring E-6
2	858177002	Lower shaft washer
3	735143005	Felt
4	000038502	Washer
5	000111201	Hexagonal socket screw 4x4
6	650078002	Lower shaft bushing (Front)
7	820166001	Ring
8	753183025	Feed lifting cam
9	686035008	Feed lifting cam spring
10	650955002	Lower shaft gear
11	000111304	Hexagonal socket screw 5x5
12	751148000	Feed cam
13	000115009	Setscrew TP3x8
14	751612206	Lower shaft (unit)
15	650079003	Lower shaft bushing (rear)
16	822112008	Felt holder (1)
17	822070003	Felt
18	820161006	Feed lifting pin
19	843601004	Bed cover (unit)
20	843001008	Bed cover
21	753005000	Drop feed lever
22	000120203	Setscrew 3x8 (B)
23	000101703	Setscrew 4x12
24	827601107	Arm base (unit)
25	827002102	Arm base
26	735002001	Bed rubber foot
27	000097901	Setscrew 5x18
28	000061412	Nut 5-3-8
29	000066808	Setscrew 6x14

PARTS LIST



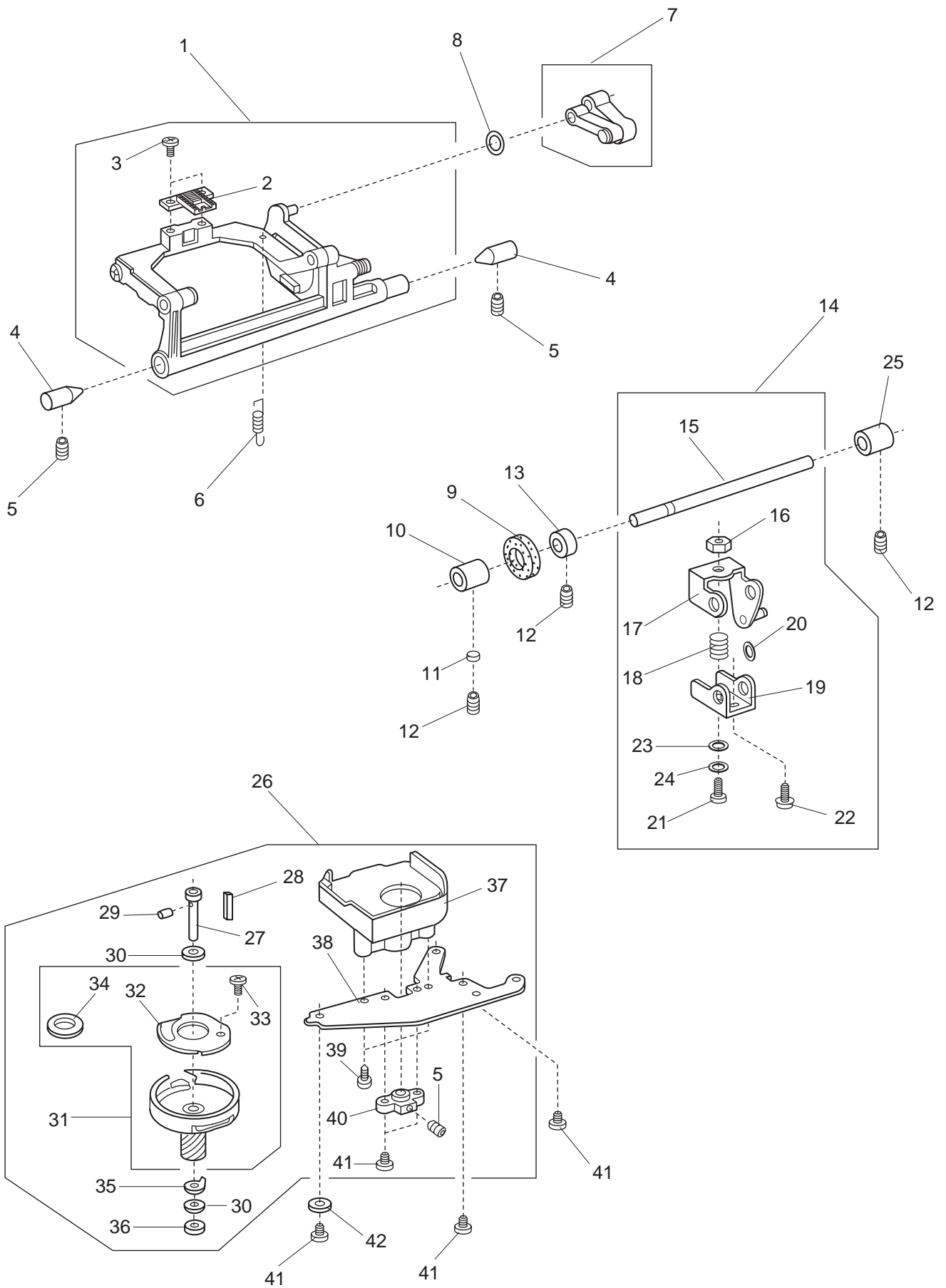
PARTS LIST

KEY NO.	PARTS NO.	DESCRIPTION
1	843648807	Front cover (unit)
2	843132102	Front cover
3	843137509	Indicator window
4	843133000	Slide volume lever
5	653507082	Slide volume (unit)
6	000014306	Snap ring CS-3
7	843134104	Button
8	843135105	Button
9	849507100	Printed circuit board F (unit)
10	000120203	Setscrew 3x8 (B)
11	843014004	Nut
12	843136106	Button
13	827069004	Front cover set panel (lower)
14	000161206	Setscrew 3x10 (B)
15	000103107	Setscrew 4x14
16	843403060	Printed circuit board A (unit)
17	843401035	Printed circuit board A
18	843020106	Board A case cover
19	843021107	Board A case
20	000071013	Washer
21	735016307	Bobbin winder stopper
22	000101404	Setscrew 4x6

PREFISSO "J"

PREFISSO "J"

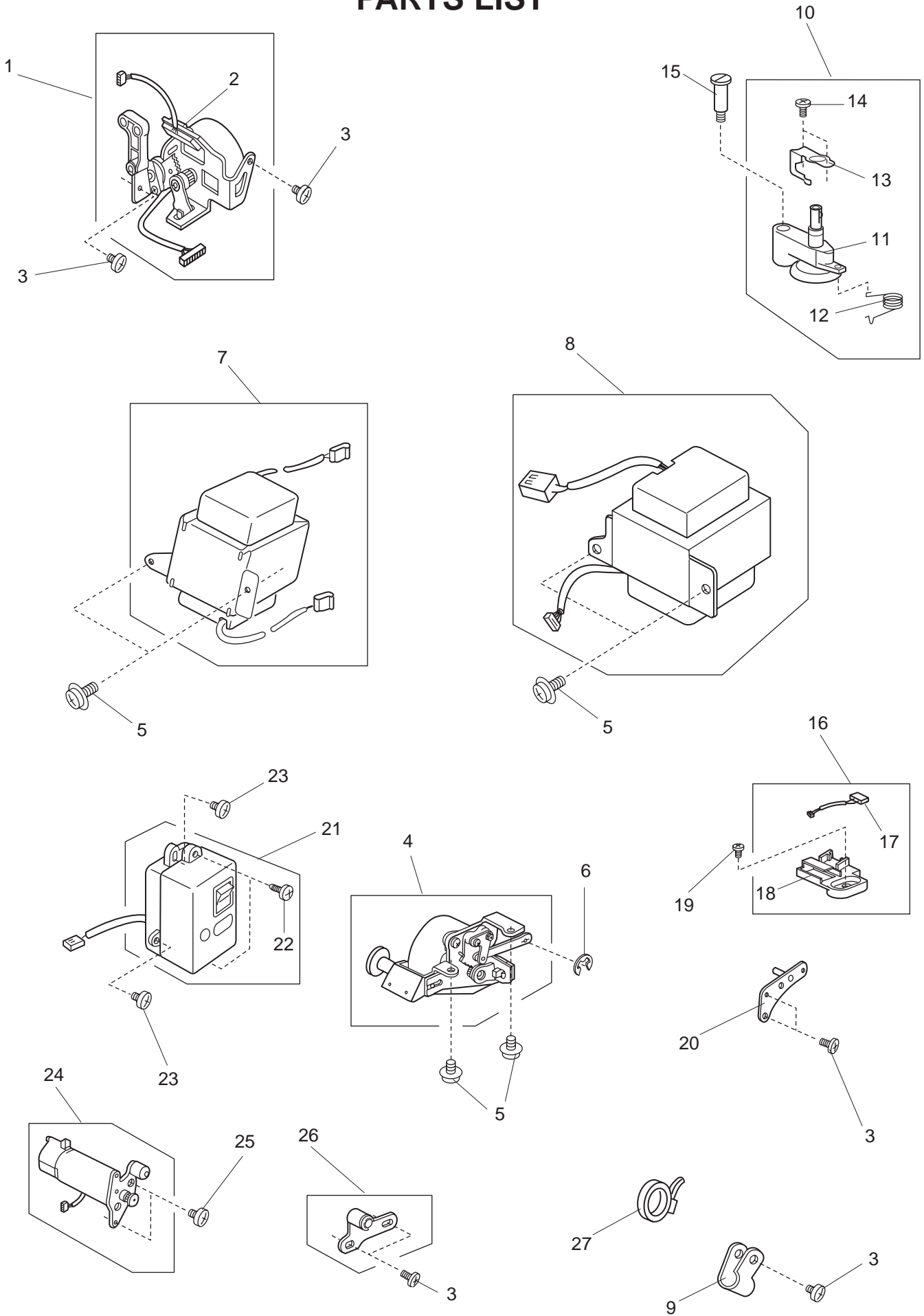
PARTS LIST



PARTS LIST

KEY NO.	PARTS NO.	DESCRIPTION
1	834527100	Feed rock shaft (unit)
2	840005003	Feed dog
3	000104005	Setscrew 3.5x8
4	738055008	Center pin
5	000111304	Hexagonal socket screw 5x5
6	650085002	Spring
7	650612004	Feed regulator (unit)
8	000036603	Washer
9	823110009	Felt
10	625144002	Bushing (front)
11	650175000	Washer
12	000111201	Hexagonal socket screw 4x4
13	820387000	Ring
14	840603007	Feed shaft (unit)
15	840006004	Feed shaft
16	000160102	Adjustable lock nut 4
17	825261002	Feed adjusting arm (2)
18	589040002	Spring
19	827043105	Feed adjusting arm (1)
20	810207004	Washer
21	827086007	Feed adjusting arm screw
22	000115906	Setscrew 3x12
23	000071013	Washer
24	000036407	Thrust washer FT 50
25	650092002	Bushing (rear)
26	827614033	Hook race (unit)
27	820123006	Hook race shaft
28	820124007	Hook shaft oil wick (1)
29	820125008	Hook shaft oil wick (2)
30	000038409	Washer
31	650623008	Hook body (unit)
32	627191000	Thread guard plate
33	820374004	Setscrew 2x2.3
34	627190010	Magnet
35	627192001	Washer
36	625102008	Washer
37	827040009	Cover
38	823106002	Hook race set plate
39	000107204	Setscrew 3x12 (B)
40	650094004	Hook race shaft base
41	000081005	Setscrew 4x8
42	000070506	Washer 4

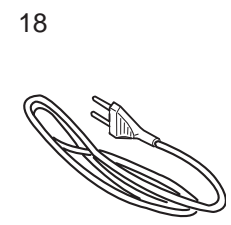
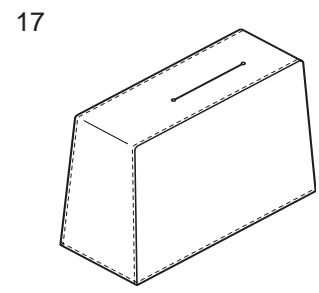
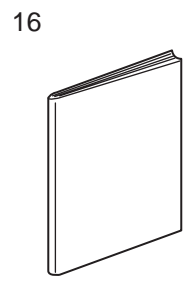
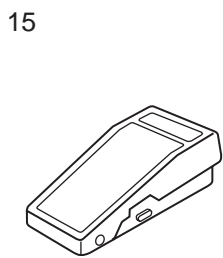
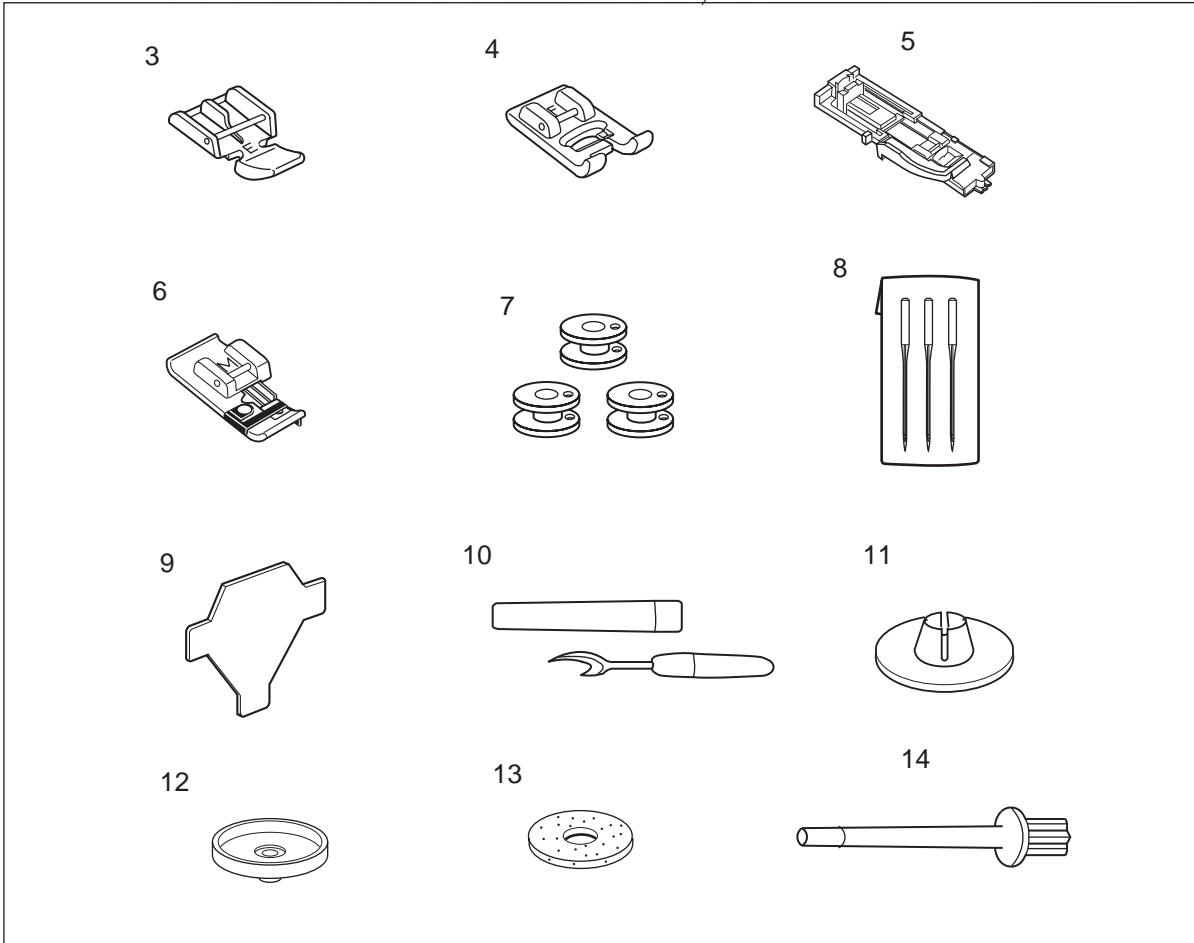
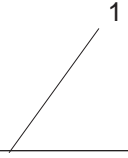
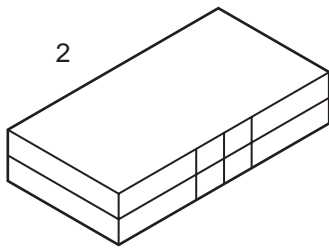
PARTS LIST



PARTS LIST

KEY NO.	PARTS NO.	DESCRIPTION
1	843608001	Zigzag width motor (unit)
2	843505007	Printed circuit board P (unit)
3	000081005	Setscrew 4x8
4	843606102	Feed motor (unit)
5	000115205	Setscrew TP4x6
6	000002105	Snap ring E-3
7	843512007	Transformer (unit) (120V)
8	843516001	Transformer (unit) (230V)
9	000188209	Nylon clip
10	844628033	Bobbin winder (unit)
11	827506008	Bobbin winder (unit)
12	823119008	Bobbin winder arm spring
13	844075039	Clutch releasing arm
14	000120203	Setscrew 3x8 (B)
15	652093009	Setscrew
16	843628007	Machine socket base plate (unit)
17	753507203	Buttonhole selector switch (unit)
18	843067002	Switch fixing base
19	000101404	Setscrew 4x6
20	843034000	Fixing plate
21	843519004	Machine socket (unit)
22	000121204	Setscrew 4x8 (B)
23	000103509	Setscrew 4x10
24	843615001	Motor (unit)
25	000115700	Setscrew TP4x10
26	652611009	Idler (unit)
27	000053008	Cord binder

PARTS LIST



PARTS LIST

KEY NO.	PARTS NO.	DESCRIPTION
1	843870246	Accessory set (unit)
2	843823004	Accessory box
3	829801002	Zipper foot
4	822804118	Satin foot
5	753801004	Buttonhole foot
6	822808008	Overedge foot
7	102261000	Bobbin
8	639804000	Needle set
9	653802002	Screwdriver
10	647808009	Seam ripper
11	822019509	Spool cap (small)
12	829803004	Spool stand
13	102403109	Felt
14	625031500	Spool pin (2)
15	C-1036	Foot control
16	843801431	Instruction book
17	741811000	Cover
18	830335004	Power supply cord