

PARTS LIST

MODEL: eXperience 450

First Edition: 28 August 2019

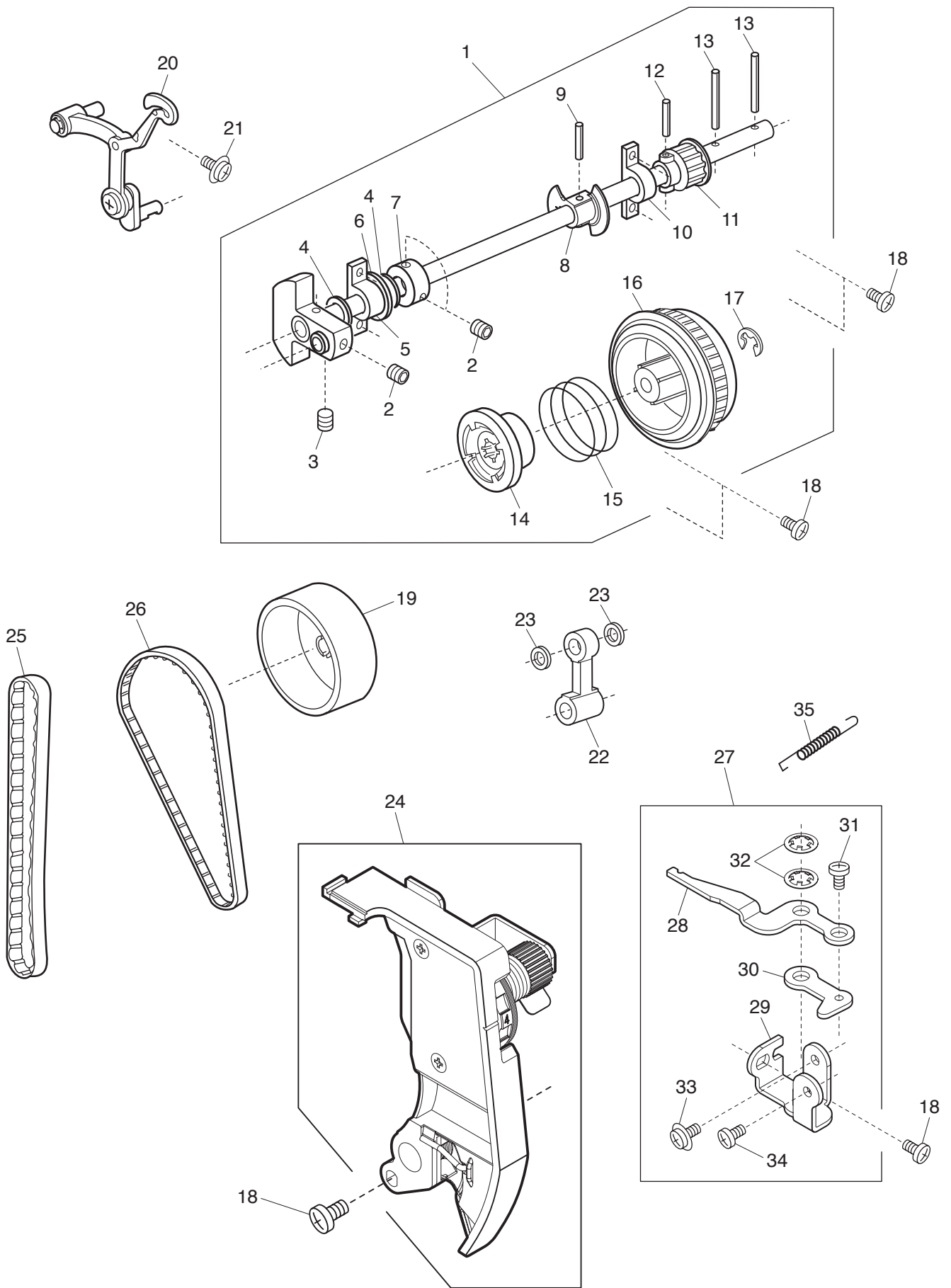
Modified info.

Modified: 25 February 2021

P3-35: 639080002 → 639026000

P13-23: 805020005 → 805038006

PARTS LIST



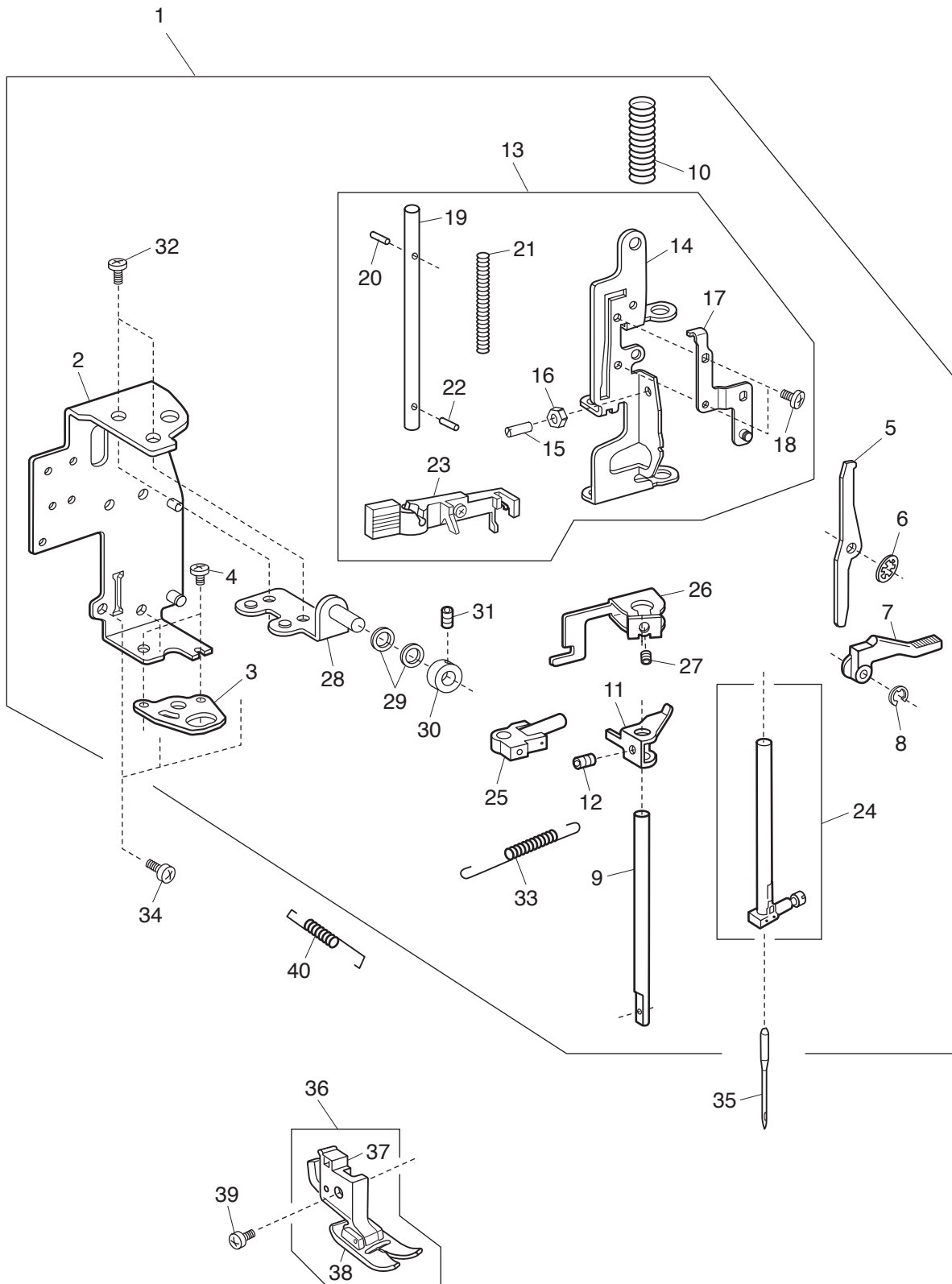
PARTS LIST

KEY NO.	PARTS NO.	DESCRIPTION
1	805601006	Upper shaft (unit)
2	000111201	Hexagonal socket screw 4x4
3	000112800	Hexagonal socket screw 4x6
4	000036201	Washer FT80
5	508120006	Shaft supporter plate
6	823110010	Felt
7	820166001	Lower shaft ring
8	805001000	Upper shaft shielding plate
9	000004107	Spring pin 3x14
10	508054101	Shaft supporter plate
11	508021006	Upper shaft gear
12	000004200	Spring pin 3x18
13	000024206	Spring pin 3x30
14	502064003	Clutch ring
15	661024007	Clutch spring
16	508055009	Belt wheel
17	000002806	Snap ring E-6
18	000081005	Setscrew 4x8
19	508056011	Handwheel
20	508634008	Thread take-up lever (unit)
21	000115700	Setscrew TP 4x10
22	508017009	Needle bar crank rod
23	000036005	Washer FT60
24	805502006	Thread tension (unit)
25	508022007	Syncro belt S5M
26	753234011	Timing belt
27	508617005	Thread tension set plate (unit)
28	508051005	Thread tension set plate
29	508052006	Thread tension release arm
30	639025009	Thread tension release adjusting arm
31	000103808	Setscrew 3x5
32	000013903	Snap ring CS-5
33	000115205	Setscrew TP 4x6
34	810220003	Setscrew
35	639026000	Thread tension release lever spring

PREFISSO "J"

PREFISSO "J"

PARTS LIST



PARTS LIST

KEY NO.	PARTS NO.	DESCRIPTION	
	1	508640007	Presser bar base plate (unit)
	2	508036004	Presser bar base plate
	3	508037005	Needle drop adjusting plate
	4	000101507	Setscrew 3.5x5
	5	508040001	Thread tension release lever
	6	000013903	Snap ring CS-5
	7	735029004	Presser foot lifter
	8	000001609	Snap ring E-5
	9	508002001	Presser bar
	10	508038006	Presser bar spring
	11	508039007	Presser bar supporter
	12	000111500	Hexagonal socket screw 4x8
	13	508641008	Needle threader (unit)
	14	508041002	Needle bar supporter
	15	648010009	Setscrew
	16	000160102	Adjustable lock nut 4
	17	660065007	Zigzag width rod guide
	18	000101105	Setscrew 3x4
	19	660100201	Threader shaft
	20	000122906	Guide pin E-2x14-CH
	21	508152007	Threader spring
	22	000003508	Spring pin 2x8
	23	639643009	Needle threader plate (unit)
	24	508607002	Needle bar (unit)
	25	508509003	Needle bar connecting stud (unit)
	26	808011002	Threader position set plate
	27	000111902	Hexagonal socket screw 3x4
	28	660068000	Supporter adjusting plate
	29	000036500	Washer FT60
	30	650136009	Ring
	31	000111201	Hexagonal socket screw 4x4
	32	000101404	Setscrew 4x6
	33	639110002	Needle bar supporter spring 2
	34	000081005	Setscrew 4x8
	35	102408089	Needle
	36	660508007	Presser foot (unit)
	37	660806008	Presser foot holder (unit)
	38	685502019	Zigzag foot (unit)
	39	660106001	Setscrew
	40	639017008	Needle bar supporter spring

PREFISSO "J"

PREFISSO "J"

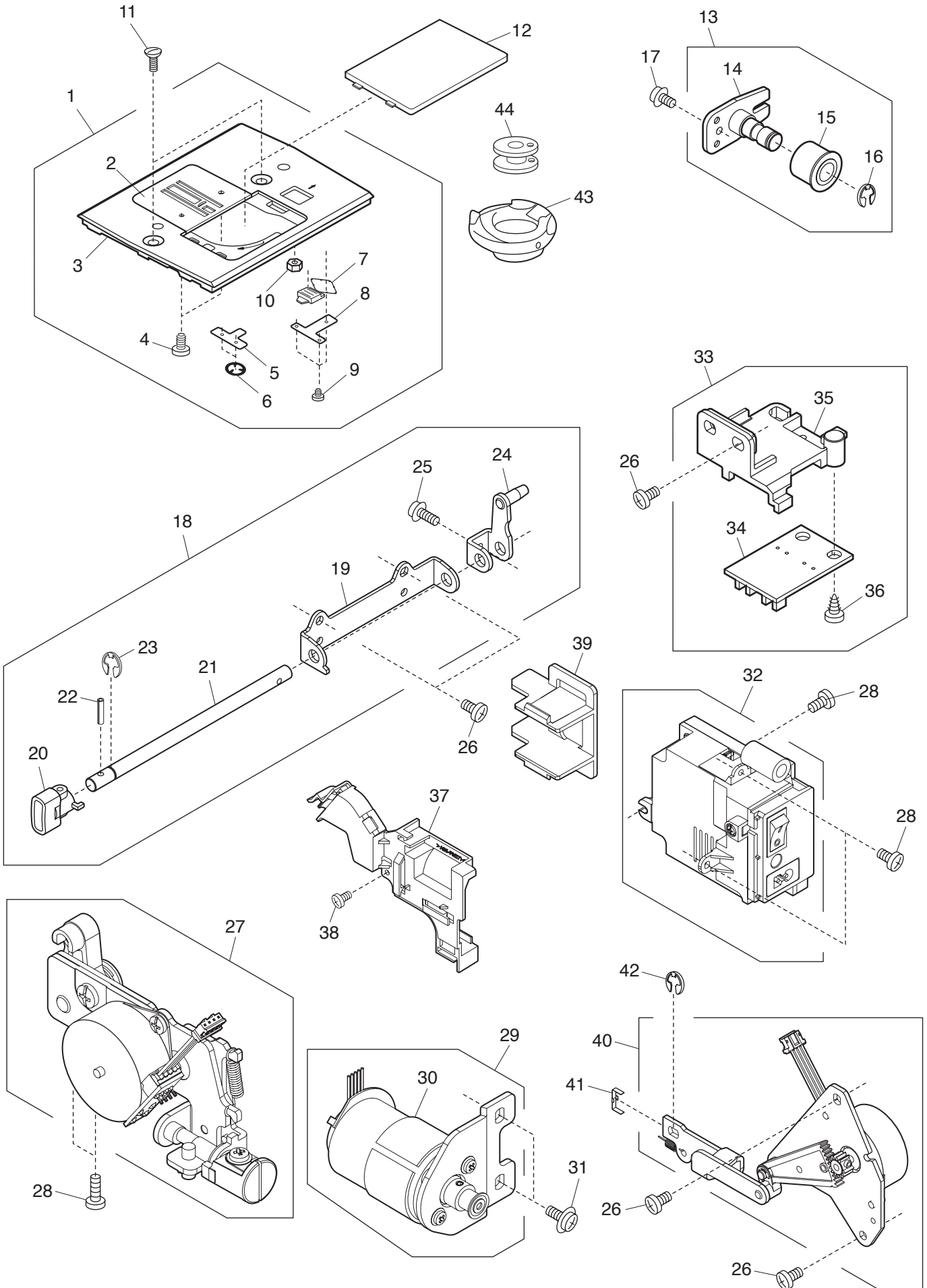
PARTS LIST

KEY NO.	PARTS NO.	DESCRIPTION
1	508636206	Hook race (whole unit)
2	508650000	Hook race (unit)
3	508611308	Lower shaft (unit)
4	508058002	Lower shaft
5	508021006	Upper shaft gear
6	000004200	Spring pin 3x18
7	508146008	Washer
8	508054101	Shaft supporter plate
9	820166001	Lower shaft ring
10	000111201	Hexagonal socket screw 4x4
11	508610008	Feed fork (unit)
12	508200001	Feed cam
13	000115009	Setscrew TP 3x8
14	508098004	Lower shaft supporter plate
15	808137005	Lower shaft gear
16	503165008	Feed lifting cam
17	820161006	Feed lifting pin
18	508113006	Feed lifting cam spring
19	000103705	Setscrew 4x5
20	508063000	Feed base spring
21	508065002	Feed fork spring
22	751152018	Feed fork spring plate
23	000002507	Snap ring E-4
24	508059003	Hook race supporter plate
25	000101703	Setscrew 4x12
26	000081500	Setscrew 3x12
27	732034003	Lower shaft bushing
28	000081005	Setscrew 4x8
29	502204007	Lower shaft bushing set plate
30	000115504	Setscrew TP 5x10

PREFISSO "J"

PREFISSO "J"

PARTS LIST



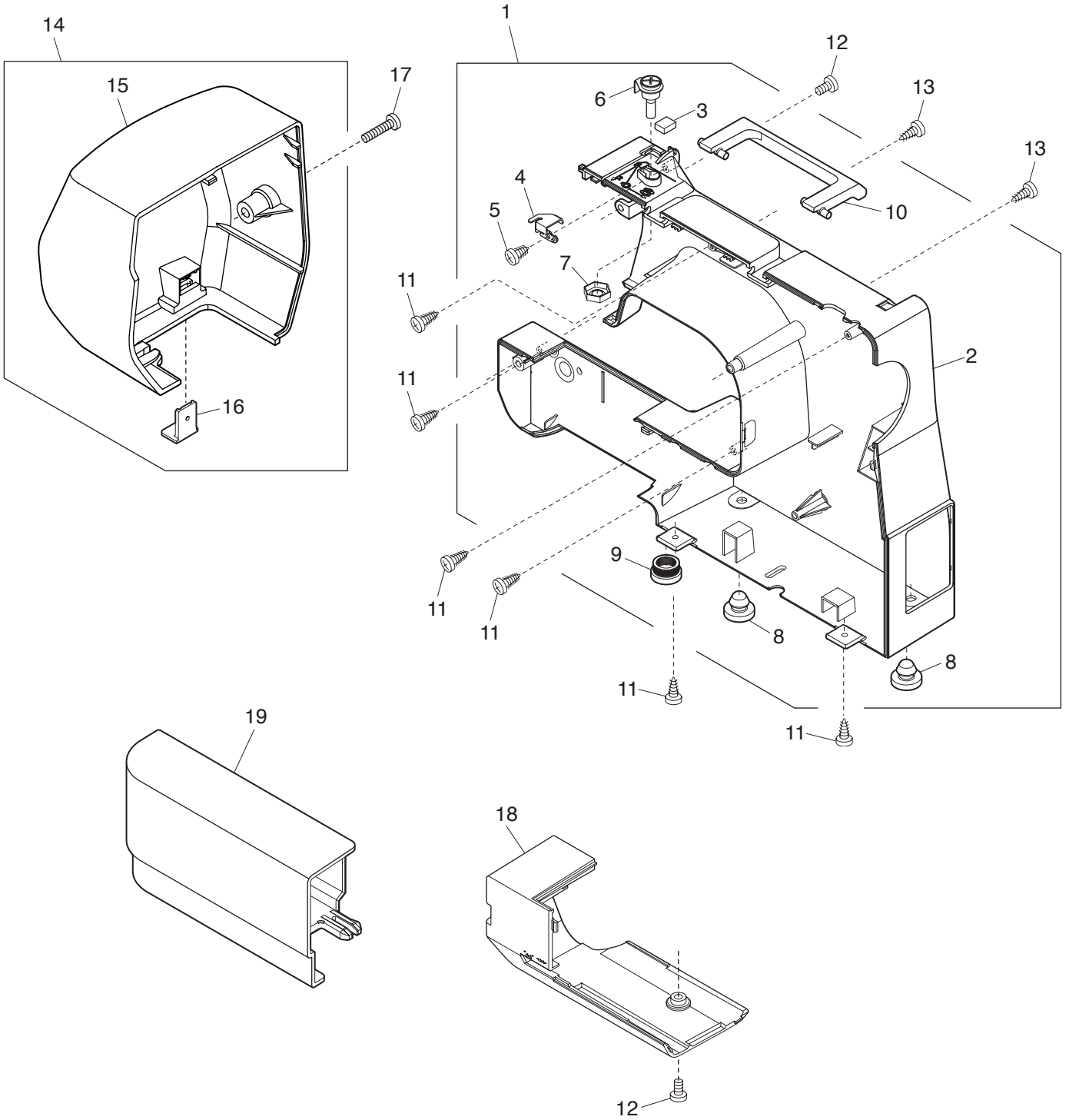
PARTS LIST

KEY NO.	PARTS NO.	DESCRIPTION
1	508612000	Needle plate (unit)
2	508033104	Needle plate
3	508034002	Support needle plate
4	000163703	Setscrew 2x3.5
5	502015009	Spring
6	000015503	Snap ring CS-2.4
7	502016000	Hook cover plate release button
8	502202005	Supporter plate
9	000130206	Setscrew 1.7x2.5 (B)
10	508116009	Nut
11	820390109	Setscrew
12	846271103	Hook cover plate
13	508614002	Idler (unit)
14	508073003	Idler set plate
15	625217100	Idler
16	000002806	Snap ring E-6
17	000115607	Setscrew TP 4x8
18	805603008	Feed regulator (unit)
19	508095001	Feed regulator shaft supporter
20	508067004	Feed regulator
21	805006005	Feed regulator shaft
22	000021801	Spring pin 2.5x12
23	000001609	Snap ring E-5
24	805007006	Feed regulator arm
25	000115906	Setscrew TP 3x12
26	000081005	Setscrew 4x8
27	805604009	Feed motor (unit)
28	000103509	Setscrew 4x10
29	805610008	DC motor (unit)
30	808502119	DC motor
31	000115504	Setscrew TP 5x10
32	805612000	Switching regulator (unit)
33	805606001	Printed circuit board P set plate (unit)
34	808504029	Printed circuit board P (unit)
35	805002001	Printed circuit board P set plate
36	000120203	Setscrew 3x8 (B)
37	805005004	Cord guide 1
38	000078320	Setscrew 3x6
39	805029004	Cord guide 2
40	805602007	Zigzag width motor (unit)
41	639098003	Zigzag width rod back plate
42	000002105	Snap ring E-3
43	627569106	Bobbin holder
44	102261000	Bobbin

PREFISSO "J"

PREFISSO "J"

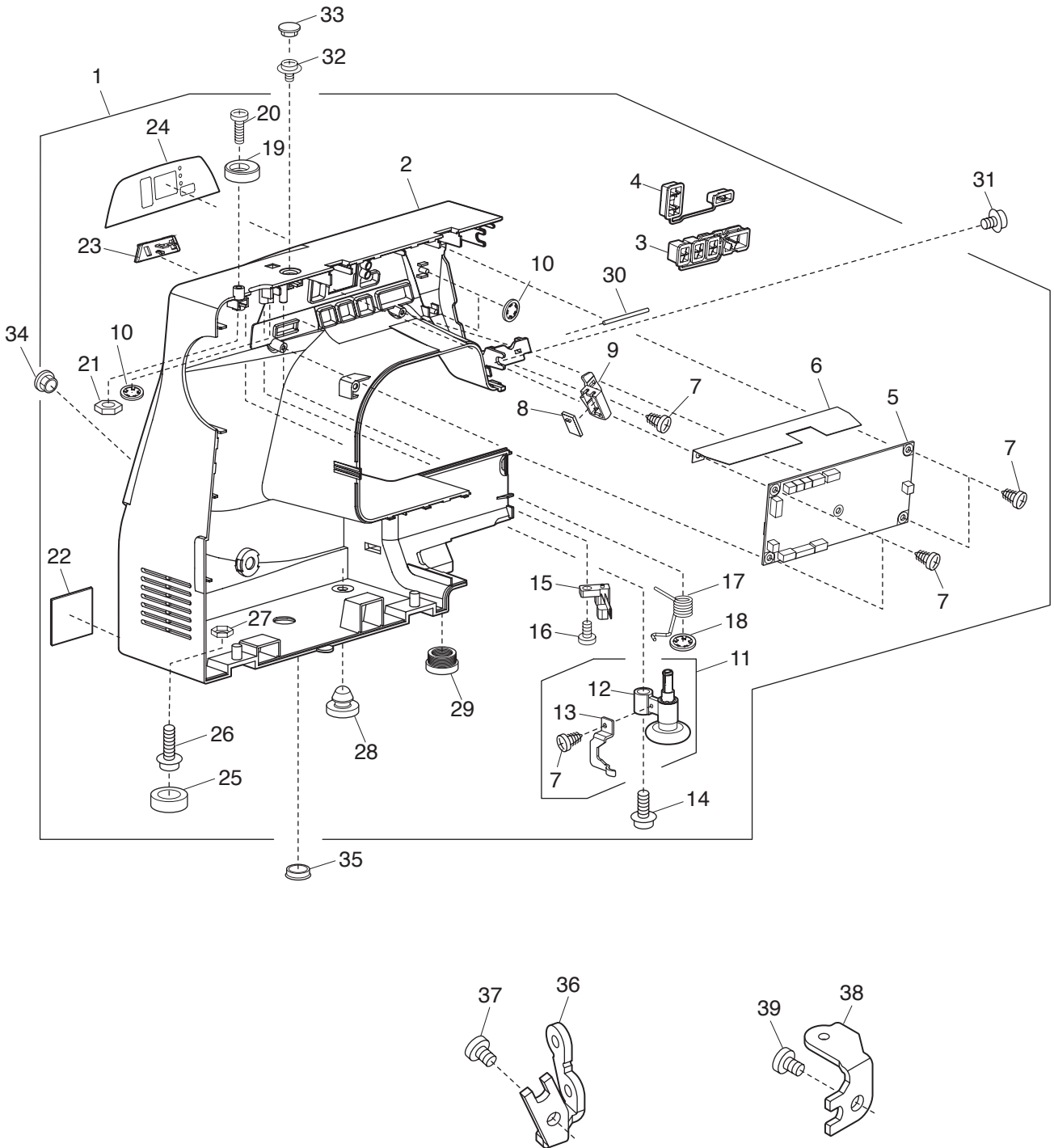
PARTS LIST



PARTS LIST

KEY NO.	PARTS NO.	DESCRIPTION	
	1	805607301	Rear cover (unit)
	2	805016A04	Rear cover
PREFISSO "J"	3	660077002	Felt
	4	660618001	Thread guide plate (unit)
	5	000107307	Setscrew 3x8 (B)
	6	730501011	Thread guide (unit)
	7	000160102	Adjustable lock nut 4
	8	525121000	Rubber base
	9	525122001	Rubber base
	10	508028003	Carrying handle
	11	000161309	Setscrew 3x12 (B)
	PREFISSO "J"	12	000081005
13		000108308	Setscrew 4x20
14		805616004	Face cover (unit)
15		805040001	Face cover
16		840602006	Thread cutter (unit)
17		000104108	Setscrew 4x20
18		805028003	Bed cover
19		805023008	Extension table (unit)

PARTS LIST

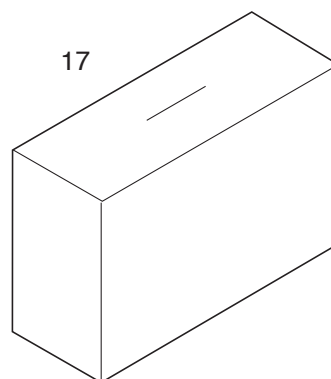
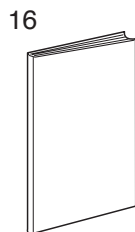
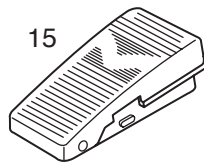
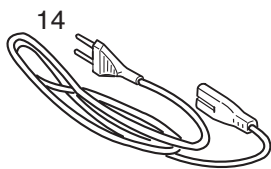
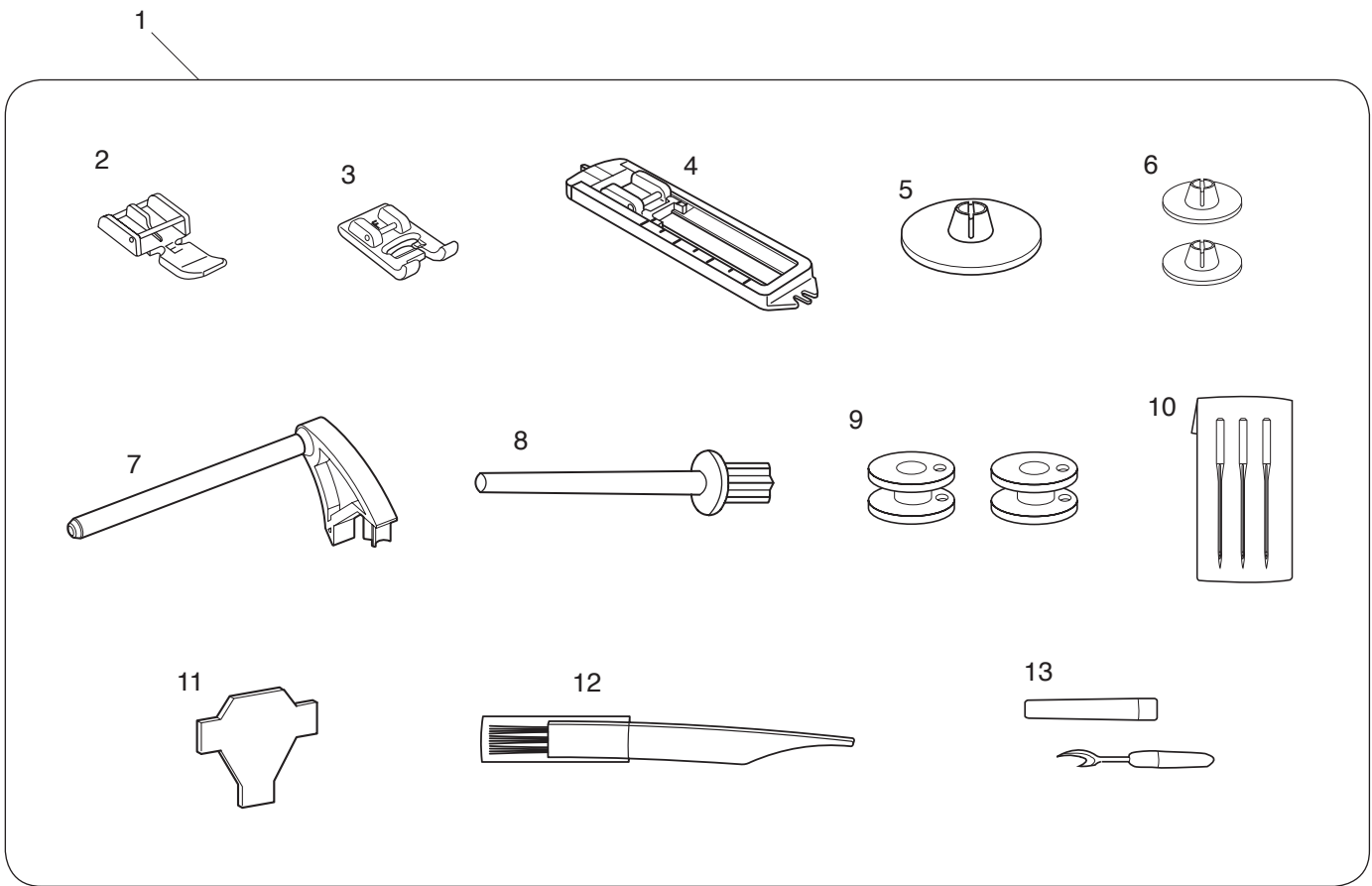


PARTS LIST

KEY NO.	PARTS NO.	DESCRIPTION
1	805615003	Front cover (unit)
2	805035A01	Front cover
3	805036A01	Button 1
4	805037A01	Button 2
5	805501201	Printed circuit board A (unit)
6	805021006	Flame retardant insulating paper
7	000120203	Setscrew 3x8 (B)
8	808506205	Printed circuit board L (unit)
9	808057000	Lamp holder
10	000014306	Snap ring CS-3
11	508620001	Bobbin winder (unit)
12	508507001	Bobbin winder arm (unit)
13	508111004	Clutch lever
14	000109103	Setscrew 4x12
15	856501106	Leaf switch (unit)
16	000120306	Setscrew 2.6x8 (B)
17	508030008	Spring
18	000013903	Snap ring CS-5
19	735016307	Bobbin winder stopper
20	000101817	Setscrew 4x16
21	000061205	Nut 4-3-7
22	805042A01	Logo panel
23	805038006	Slide volume
24	805039A01	Ornamental panel
25	639005003	Rubber foot
26	000201405	Setscrew TP 4x16
27	000160102	Adjustable lock nut 4
28	525121000	Rubber base
29	525122001	Rubber base
30	806029007	Thread guide
31	000115205	Setscrew TP 4x6
32	000114709	Setscrew TP 3x6
33	653006101	Cap
34	805022007	SS adjusting cap
35	797141201	Cap
36	508093009	Front cover set plate
37	000101404	Setscrew 4x6
38	639080002	Front cover set plate
39	000081005	Setscrew 4x8

PREFISSO "J"
PREFISSO "J"

PARTS LIST



PARTS LIST

KEY NO.	PARTS NO.	DESCRIPTION	
	1	805870019	Standard accessories
	2	808852003	Zipper foot E
PREFISSO "J"	3	822804118	Satin stitch foot F
	4	508803000	Sliding buttonhole foot
	5	822020503	Spool holder (large)
	6	822019509	Spool holder (small)
	7	660005010	Spool pin
	8	625031500	Extra spool pin
	9	102261000	Bobbin
	10	639804000	Assorted needle set
	11	653802002	Screwdriver
	PREFISSO "J"	12	739616006
13		647808009	Seam ripper (Buttonhole opener)
14		830335004	Power cable
15		808550008	Foot control
16		805800133	Instruction book (English)
		805800144	Instruction book (French)
		805800155	Instruction book (German)
17	743812100	Cover	