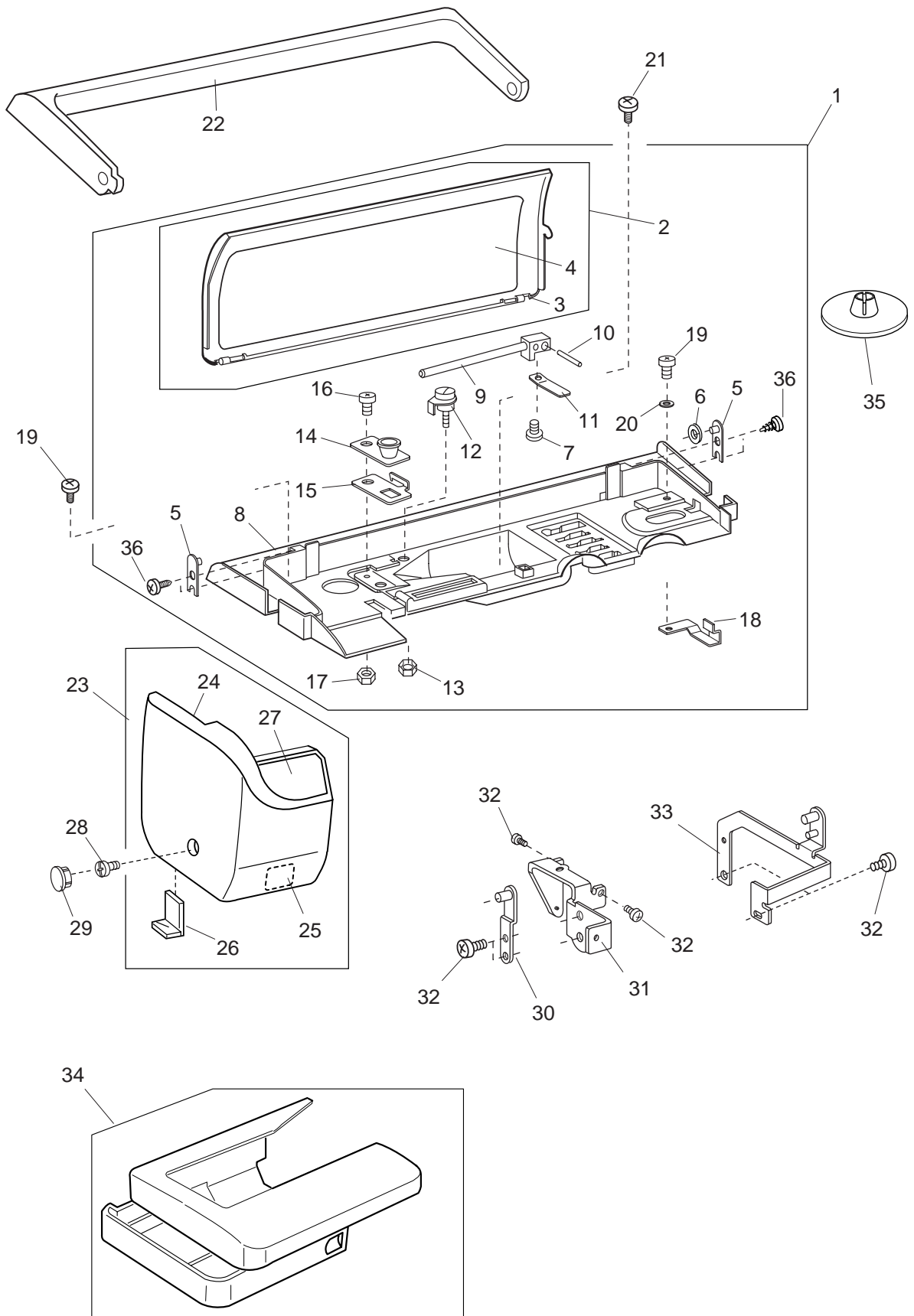


PARTS LIST

3210J

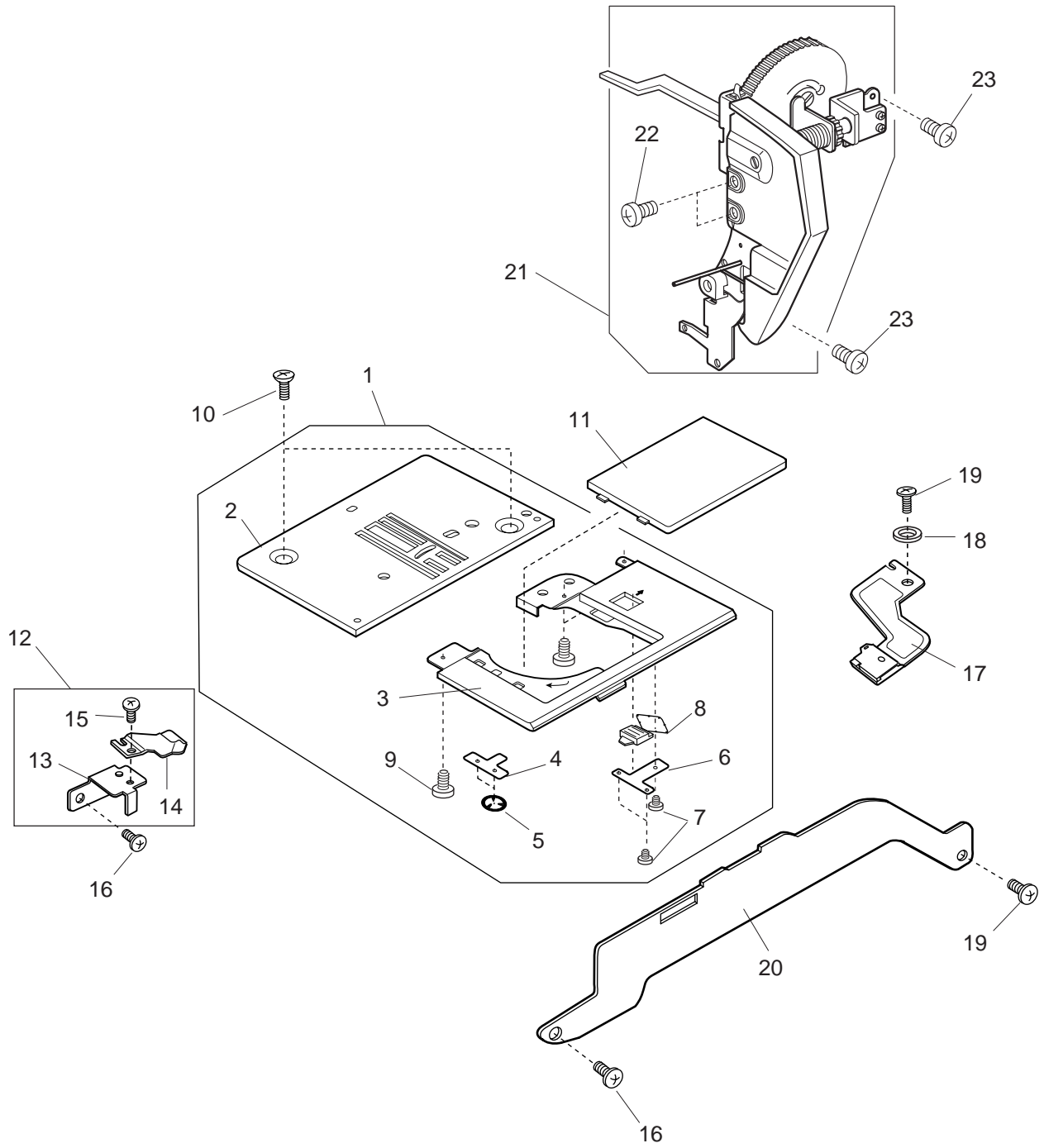
PARTS LIST



PARTS LIST

KEY NO.	PARTS NO.	DESCRIPTION
1	506601402	Top cover (unit)
2	506602403	Top cover (unit)
3	506003006	Top cover
4	506046001	Stitch chart (1)
5	506034006	Top cover hinge
6	503169002	Washer
7	000120214	Setscrew 3x8
8	506005008	Top cover compartment
9	822016609	Spool pin
10	822017002	Spool pin shaft
11	822018003	Spool pin spring
12	730501011	Thread guide plate (unit)
13	000160102	Adjustable lock nut 4
14	753502002	Top cover thread guide (unit)
15	840138006	Top cover thread guide
16	693093006	Flat screw
17	000062701	Hexagonal nut
18	503144001	Bobbin winder stopper
19	000078342	Setscrew 3x6
20	000070126	Plain washer 3
21	000103417	Setscrew 4x8
22	506006009	Handle
23	506603806	Face plate (unit)
24	506008104	Face plate
25	366076000	Face plate sticker
26	840602006	Thread cutter (unit)
27	506049107	Ornament plate
28	000103509	Setscrew 4x10
29	653006101	Cap
30	506007000	Handle bracket (front) (2)
31	503025005	Handle bracket (front)
32	000081005	Setscrew 4x8
33	506026005	Handle bracket (rear)
34	506501009	Extension table (unit)
35	822020503	Spool holder (large)
36	000161114	Setscrew 3x6 (B)

PARTS LIST



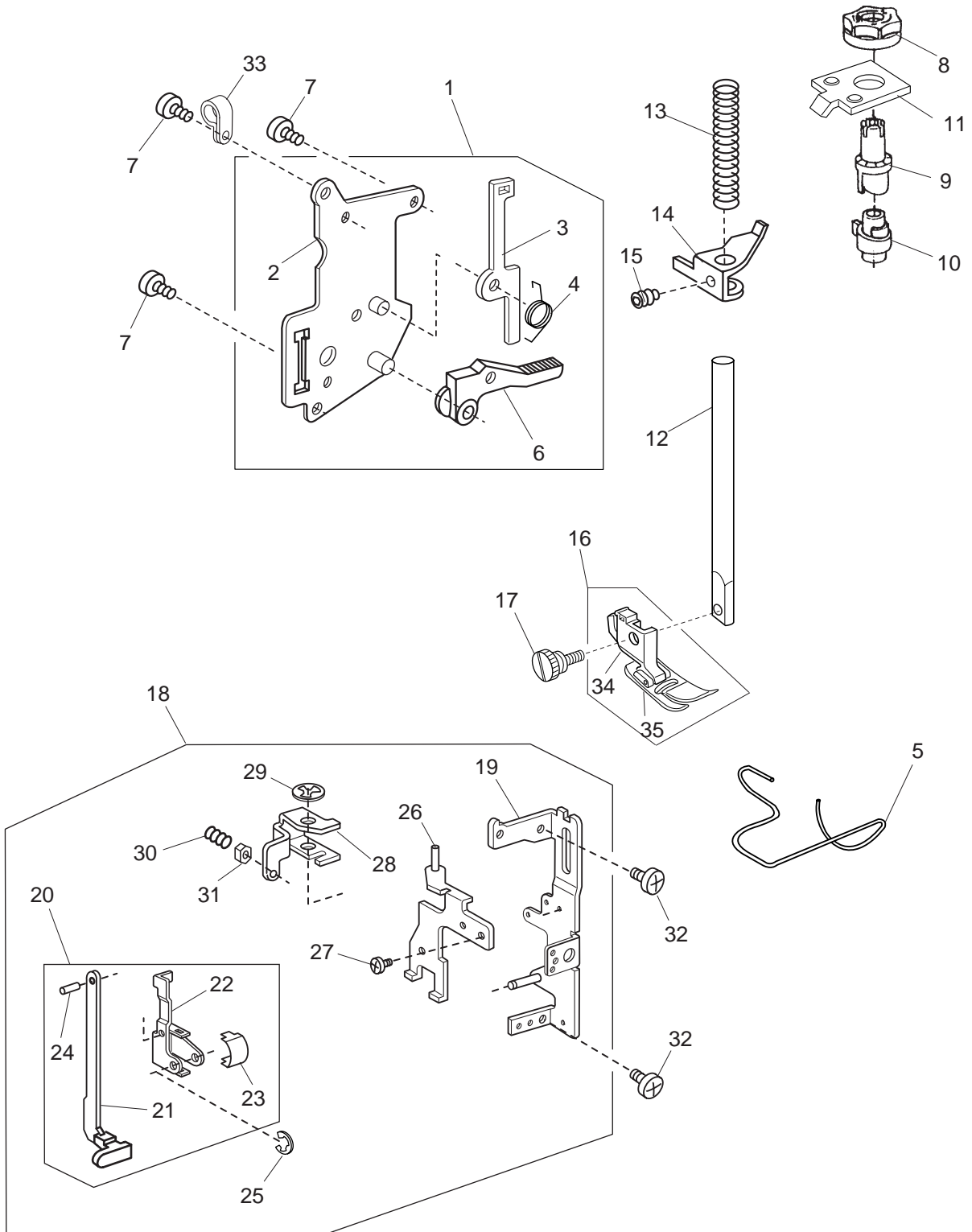
PARTS LIST

KEY NO.	PARTS NO.	DESCRIPTION
1	503601001	Needle plate (unit)
2	503006000	Needle plate
3	502014008	Sub needle plate
4	502015009	Hook cover plate holder spring
5	000015503	Snap ring CS-2.5
6	502202005	Hook cover plate holding plate
7	000130206	Tapping screw 1.7x3
8	502016000	Hook cover plate release button
9	000096911	Setscrew 2x3.5
10	681009101	Setscrew
11	846271103	Hook cover plate
12	503630009	Bobbin holder stopper (unit)
13	503141008	Bobbin holder stopper set plate
14	502018105	Bobbin holder stopper
15	000101105	Setscrew 3x4
16	000101404	Setscrew 4x6
17	503602002	Shuttle hook stopper (unit)
18	000071013	Washer
19	810220003	Setscrew
20	503008002	Needle plate fixing plate
21	506503001	Thread tension regulator (unit)
22	000115401	Setscrew 3x4
23	000081005	Setscrew 4x8

PARTS LIST

KEY NO.	PARTS NO.	DESCRIPTION
1	840647014	Needle bar supporter (unit)
2	827026010	Needle bar supporter
3	000111902	Hexagonal socket screw 3x4
4	840646002	Needle threader shaft (unit)
5	840036003	Needle threader shaft
6	755643002	Needle threader plate (unit)
7	000003508	Spring pin 2x8
8	840035002	Needle threader spring
9	000125105	Pin
10	840033000	Needle threader frame
11	840034001	Needle threader lever
12	840037005	Needle threader lever guide
13	000078319	Setscrew 3x6
14	503042008	Needle bar supporter pin
15	000002507	Snap ring E-4
16	000070609	Washer
17	673022002	Washer
18	843652103	Needle bar connecting stud complete (unit)
19	807607008	Threader position set plate (unit)
20	807018006	Threader position set plate
21	843543007	Needle bar crank (unit)
22	503163006	Eccentric pin washer
23	653503114	Needle bar (unit)
24	829027006	Supporter guide plate
25	653504104	Needle bar connecting stud complete (unit)
26	650040005	Felt
27	650041006	Felt set spring
28	000111201	Hexagonal socket screw 4x4
29	000002806	Snap ring E-6
30	102408089	Needle HA1-14
31	827083004	Supporter guide pin
32	000002105	Snap ring E-3
33	503645100	Supporter adjusting plate (unit)
34	503023106	Supporter adjusting plate
35	000216805	Hexagonal socket screw 3x3
36	000101703	Setscrew 4x12
37	503024004	Arm thread guide
38	000078319	Setscrew 3x6
39	845020009	Needle bar supporter spring
40	503647009	Zigzag width rod front (unit)
41	503086004	Zigzag width rod front
42	503162005	Zigzag width adjusting plate pin guide
43	000103808	Setscrew 3x5
44	502174007	Eccentric pin

PARTS LIST



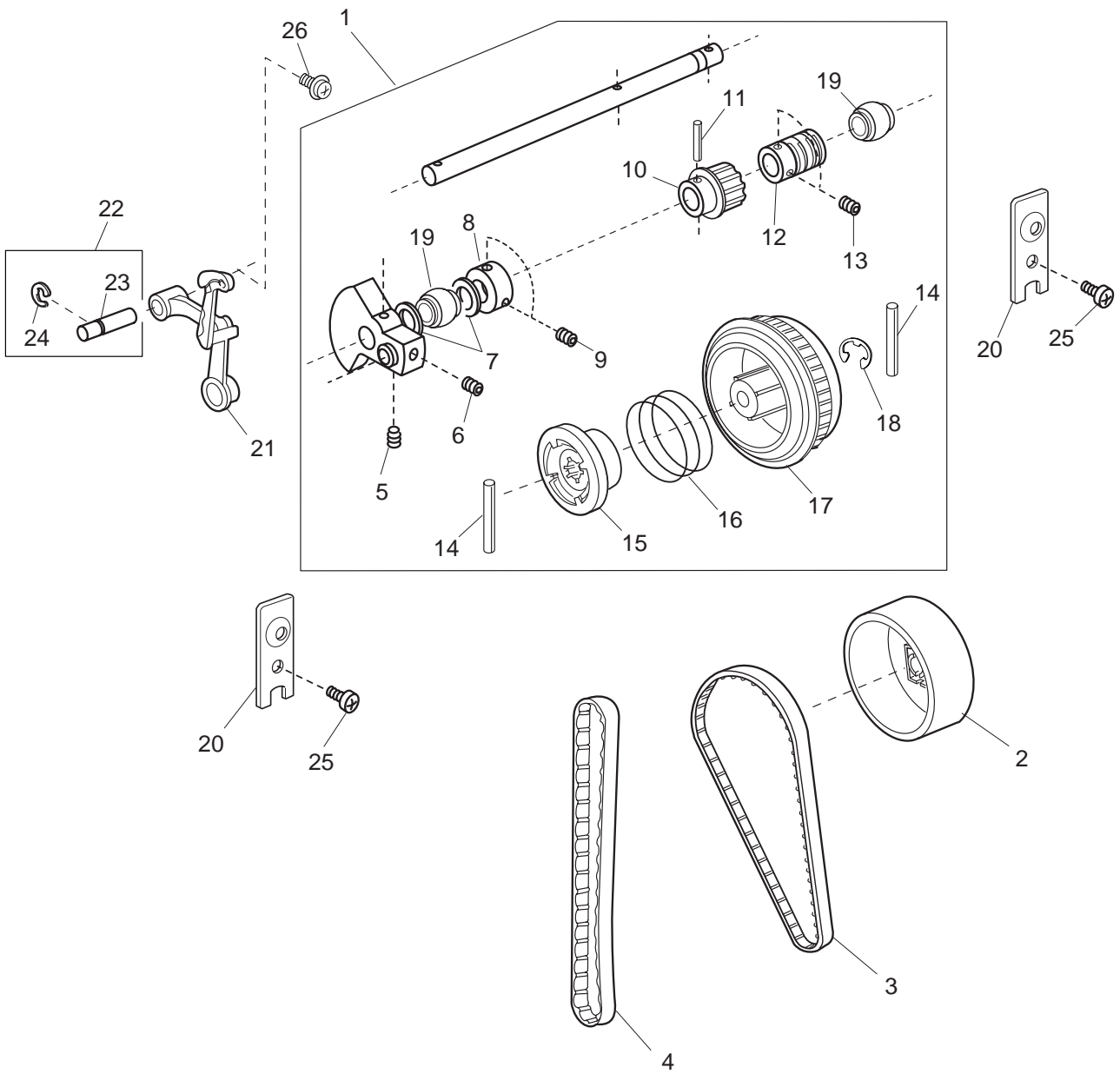
PARTS LIST

KEY NO.	PARTS NO.	DESCRIPTION
1	503607007	Presser base plate (unit)
2	503016003	Presser base plate
3	502023000	Tension releasing lever
4	503041007	Tension releasing spring
5	687803101	Finger guard
6	502024001	Presser bar lifter
7	000081005	Setscrew 4x8
8	822065005	Presser dial
9	686027007	Pressure adjusting cam (1)
10	686028008	Pressure adjusting cam (2)
11	503017004	Pressure adjusting cam holder
12	827021200	Presser bar
13	840129004	Spring
14	502026003	Presser bar supporter
15	000111500	Hexagonal socket screw 4x8
16	753663002	Presser foot (unit)
17	647112009	Setscrew
18	503636005	Front base plate (unit)
19	503018005	Front base plate
20	503609009	Buttonhole lever (unit)
21	502608005	Buttonhole lever (unit)
22	503019006	Buttonhole lever supporter
23	753027008	Friction spring
24	000023009	Spring pin
25	000001207	Snap ring E-2.5
26	503020000	Drag rod link (front) holder
27	000103808	Setscrew 3x5
28	503021001	Drag rod link (front)
29	000002105	Snap ring E-3
30	000113306	Setscrew
31	000160102	Adjustable nut
32	000101404	Setscrew 4x6
33	000188209	Nylon clip
34	660806008	Foot holder (unit)
35	825510032	Zigzag foot (unit)

PARTS LIST

KEY NO.	PARTS NO.	DESCRIPTION
1	506609008	R lever mount (unit)
2	506019005	R lever mount
3	845020009	Supporter spring
4	506610002	R lever (unit)
5	506020009	R lever
6	506021000	R button
7	506040005	R lever (2)
8	000103808	Setscrew 3x5
9	000072508	Plain washer
10	000002105	Snap ring E-3
11	503289009	Belt guard
12	506039001	R rod
13	503611004	Actuator link bracket (unit)
14	503260004	Actuator link bracket
15	503035008	Actuator link
16	503033006	Buttonhole actuator
17	000002105	Snap ring E-3
18	753099012	Buttonhole actuator (2)
19	000081005	Setscrew 4x8
20	506613005	Cam block (unit)
21	503075000	Cam block supporter
22	506015001	Zigzag width adjusting arm
23	503085003	Zigzag width adjusting plate
24	000002507	Snap ring E-4
25	000101105	Setscrew 3x4
26	506612004	Pattern selector dial shaft (unit)
27	503237002	Pattern selector dial
28	503137001	Adjusting dial
29	506614017	Indicator disk (unit)
30	506032004	Indicator disk supporter
31	755021167	Pattern indicator disk
32	752048002	Disk retainer
33	000163208	Setscrew 2x5
34	000014007	Snap ring CS-4
35	755020007	Indicator gear
36	502154001	Interim gear
37	506016105	Zigzag width dial
38	000001609	Snap ring E-5
39	503231202	Stitch length dial
40	000103705	Setscrew 4x5
41	000078319	Setscrew 3x6

PARTS LIST



PARTS LIST

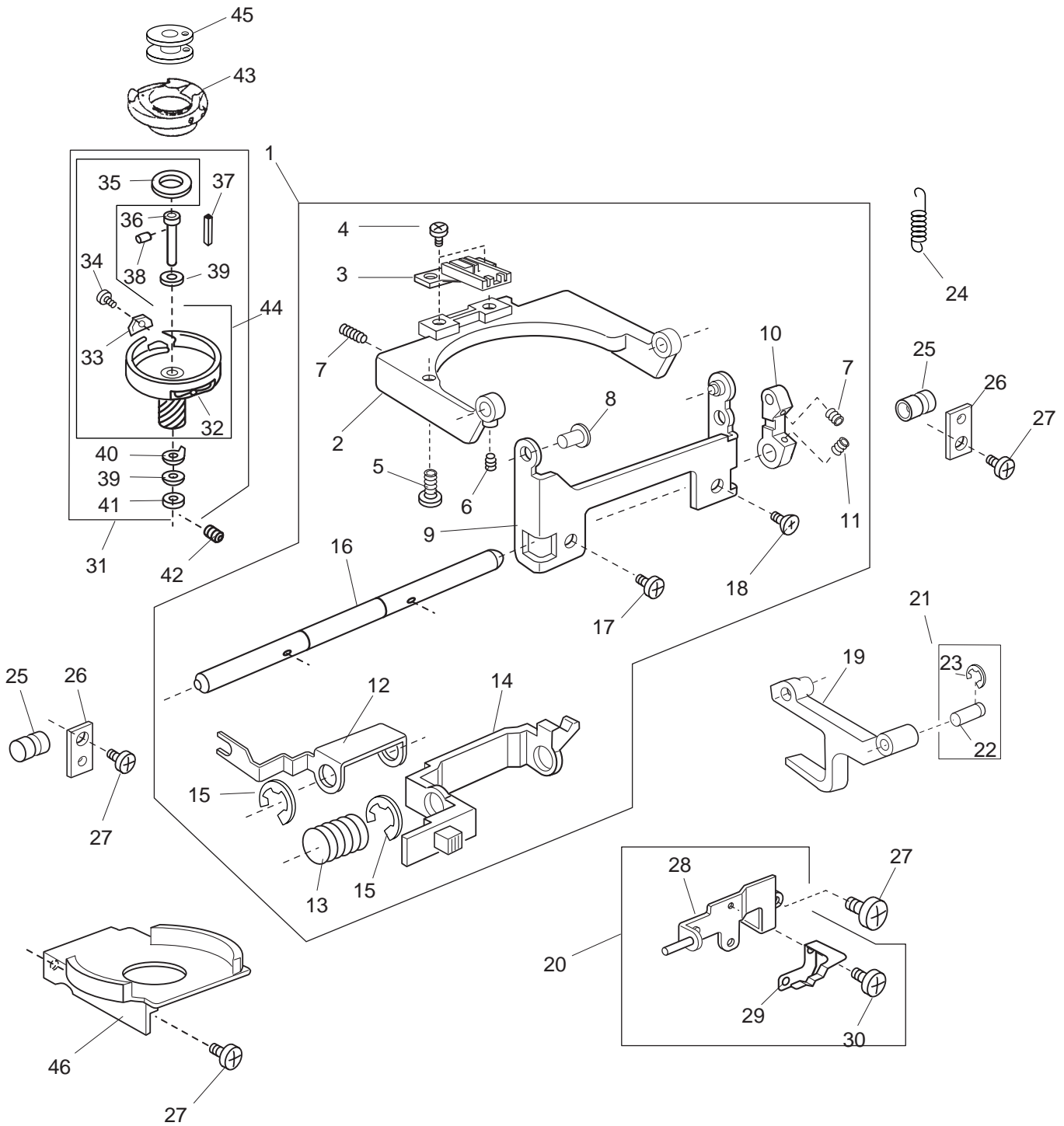
KEY NO.	PARTS NO.	DESCRIPTION
1	503612005	Upper shaft complete (unit)
2	502068007	Handwheel
3	650071005	Timing belt
4	650166008	Timing belt
5	102073003	Setscrew
6	761052007	Setscrew
7	000038801	Washer
8	639095000	Ring
9	000111304	Hexagonal socket screw 5x5
10	756017004	Upper shaft timing gear
11	000020501	Spring pin 3x22
12	650060001	Worm
13	000111201	Hexagonal socket screw 4x4
14	000024206	Spring pin 3x30
15	502064003	Clutch ring
16	502065004	Clutch spring
17	502066005	Belt wheel
18	000030205	Snap ring E-8
19	502002003	Upper shaft ball bearing
20	502067006	Upper shaft metal holder
21	820511108	Thread take-up lever (unit)
22	503644006	Thread take-up lever pin (unit)
23	503113001	Thread take-up lever pin
24	000002806	Snap ring E-6
25	000101301	Setscrew 5x10
26	000114802	Setscrew TP 4x12

PREFISSO "J"

PREFISSO "J"

PREFISSO "J"

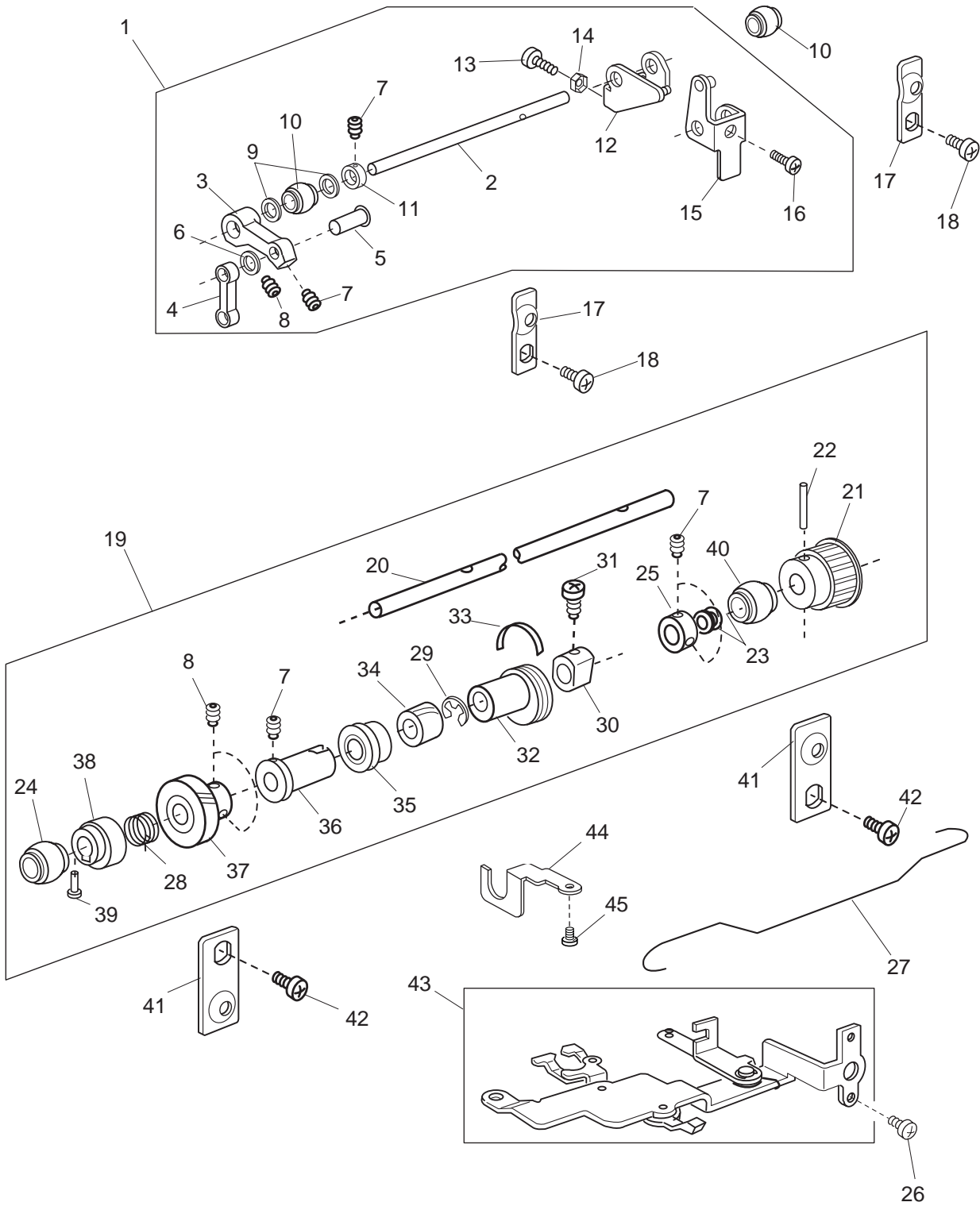
PARTS LIST



PARTS LIST

KEY NO.	PARTS NO.	DESCRIPTION
1	503686103	Horizontal feed shaft (unit)
2	503044103	Horizontal feed plate
3	840005003	Feed dog
4	000101507	Setscrew 3.5x5
5	503166009	Feed adjusting screw
6	000111902	Hexagonal socket screw 3x3
7	000111201	Hexagonal socket screw 4x4
8	503114002	Link pin
9	502079207	Horizontal feed plate supporter
10	503045001	Feed arm
11	000110901	Hexagonal socket screw 5x4
12	503168001	Drop lever
13	503281001	Sliding plate spring
14	502085000	Feed dog down lever
15	000002806	Snap ring E-6
16	503047003	Feed shaft
17	000103509	Setscrew 4x10
18	000069410	Setscrew 4x10
19	503048107	Forked rod
20	503567004	Guide plate (unit)
21	503648000	Connecting pin (unit)
22	503139003	Connecting pin
23	000002507	Snap ring E-4
24	503142009	Spring
25	502089004	Straight center
26	735085008	Center holding plate
27	000101404	Setscrew 4x6
28	503049005	Guide plate
29	503132006	Lever plate spring
30	000101105	Setscrew 3x4
31	502667002	Hook (unit)
32	650950100	Shuttle body (unit)
33	627189005	Needle guard
34	820373003	Setscrew 2x3
35	627190010	Hook race magnet
36	820123006	Hook driver shaft
37	820124007	Hook shaft oil felt (1)
38	820125008	Hook shaft oil felt (2)
39	000038409	Washer
40	627192001	Washer
41	625102008	Washer
42	000111304	Hexagonal socket screw 5x5
43	627569106	Bobbin holder (unit)
44	652623004	Hook (unit)
45	102261000	Bobbin
46	502071003	Gear cover

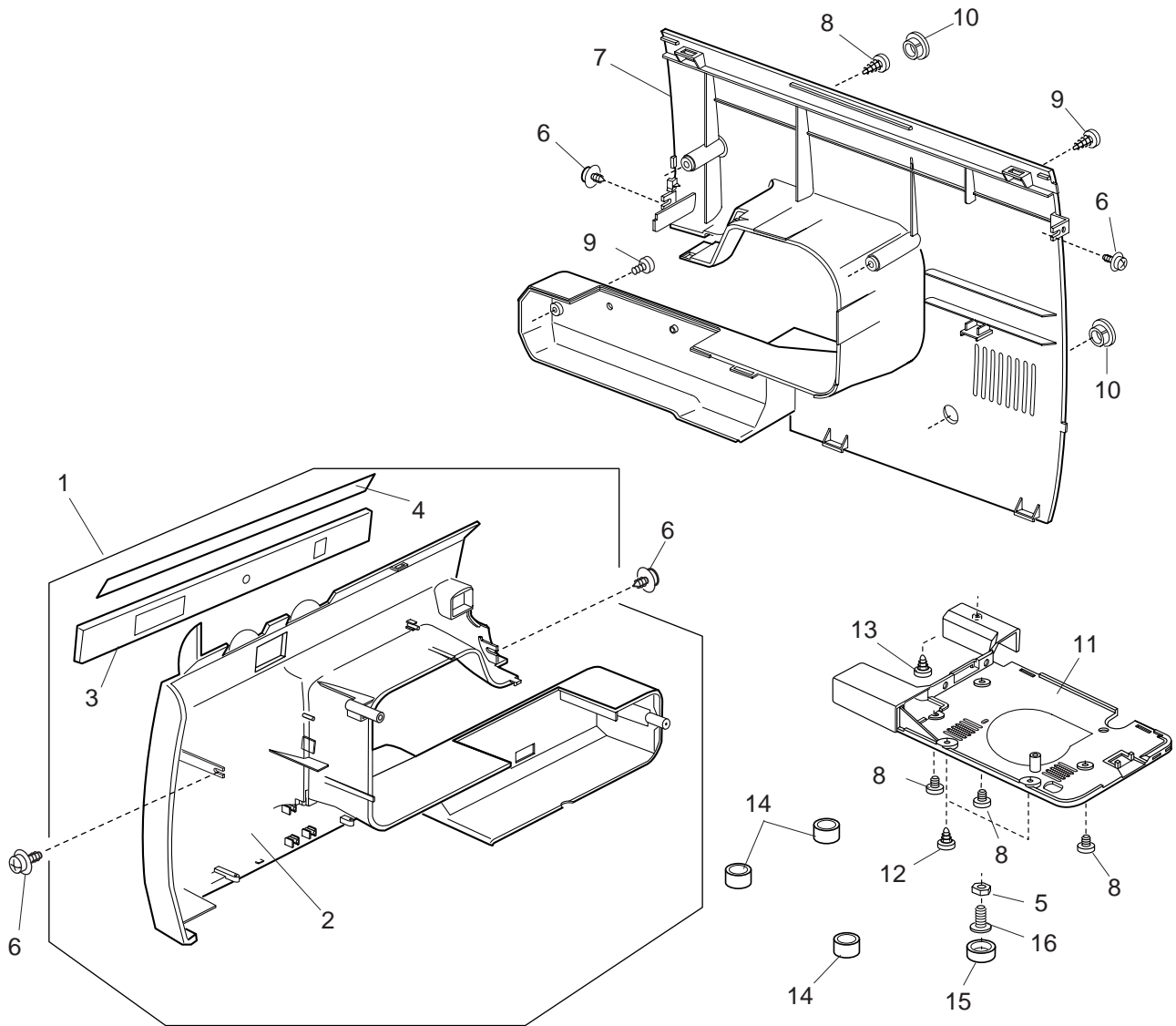
PARTS LIST



PARTS LIST

KEY NO.	PARTS NO.	DESCRIPTION
1	503616009	Feed adjusting shaft (unit)
2	503051000	Feed adjusting shaft
3	PREFISSO "J" 502093001	Feed adjusting link
4	650087004	Feed adjusting link
5	820144003	Feed adjusting link pin
6	000036407	Thrust washer
7	000111201	Hexagonal socket screw 4x4
8	000111304	Hexagonal socket screw 5x5
9	000038409	Washer
10	502003004	Feed shaft spherical bushing
11	820387000	Ring
12	PREFISSO "J" 503111009	Feed adjusting shaft arm
13	000104706	Setscrew 4x16
14	000160102	Adjustable lock 4
15	503112000	Feed adjusting shaft bracket
16	000100403	Setscrew 3x14
17	PREFISSO "J" 502096004	Feed shaft bushing holder
18	000081005	Setscrew 4x8
19	503613110	Lower shaft (unit)
20	PREFISSO "J" 503038012	Lower shaft
21	650073007	Lower shaft timing gear
22	000004200	Spring pin 3x18
23	000038502	Washer
24	732034003	Lower shaft bushing (rear)
25	PREFISSO "J" 820166001	Lower shaft ring
26	810220003	Setscrew
27	503052001	Feed converting rod
28	PREFISSO "J" 503167000	Feed lift cam spring
29	000002806	Snap ring 6
30	650074008	Forward feed cam ring
31	000121606	Setscrew 3x12
32	625120105	Feed cam
33	PREFISSO "J" 627207000	Feed cam spring
34	756019006	Reverse feed ring (1)
35	756020000	Reverse feed ring (2)
36	PREFISSO "J" 756021001	Ring
37	650076000	Lower shaft gear
38	503165008	Feed lifting cam
39	820161006	Feed lifting pin
40	732034003	Lower shaft bushing (rear)
41	PREFISSO "J" 502204007	Lower shaft bushing holder
42	000101301	Setscrew 4x6
43	503617000	Buttonhole adjustor bracket (unit)
44	503288008	Lower shaft supporter plate
45	000101404	Setscrew 4x6

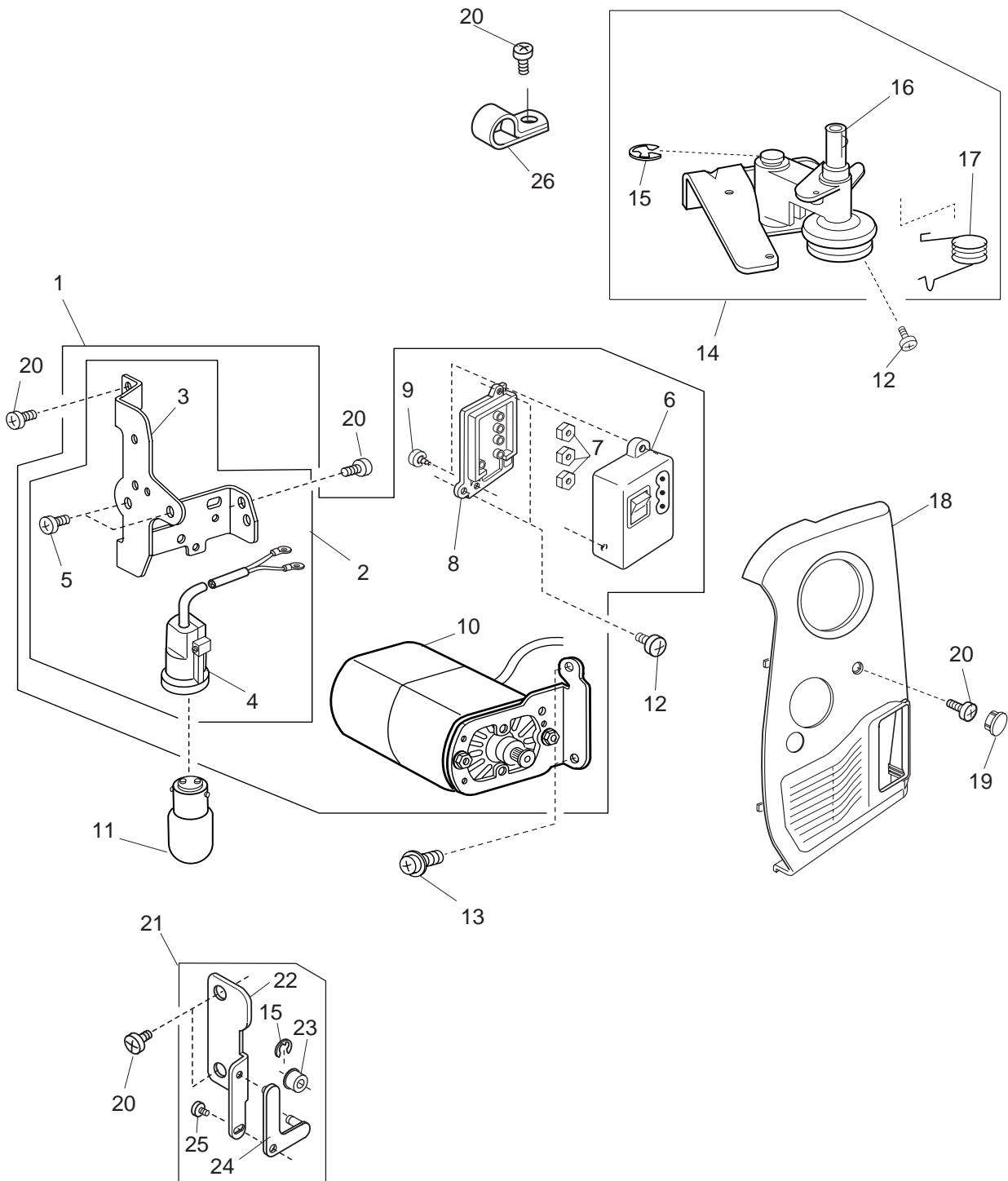
PARTS LIST



PARTS LIST

KEY NO.	PARTS NO.	DESCRIPTION
1	506615041	Front cover (unit)
2	506023404	Front cover
3	506048209	Indicator window
4	506047002	Stitch chart (2)
5	000160102	Adjustable lock nut 4
6	000115205	TP screw 4x6
7	503003409	Rear cover
8	000081005	Setscrew 4x8
9	000160319	Setscrew 4x20
10	653006101	Cap
11	503002006	Base
12	000161206	Setscrew 3x10
13	000120203	Setscrew 3x8
14	739064003	Rubber cushion
15	639005003	Rubber foot
16	000201405	TP screw 4x16

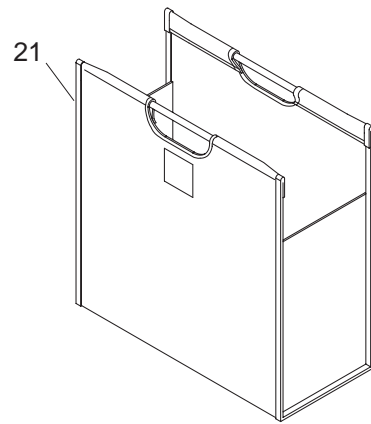
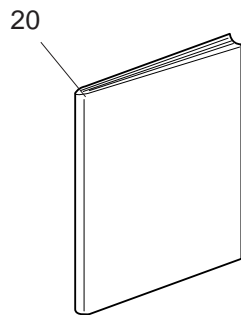
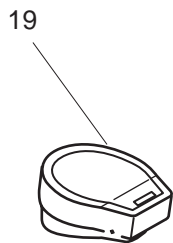
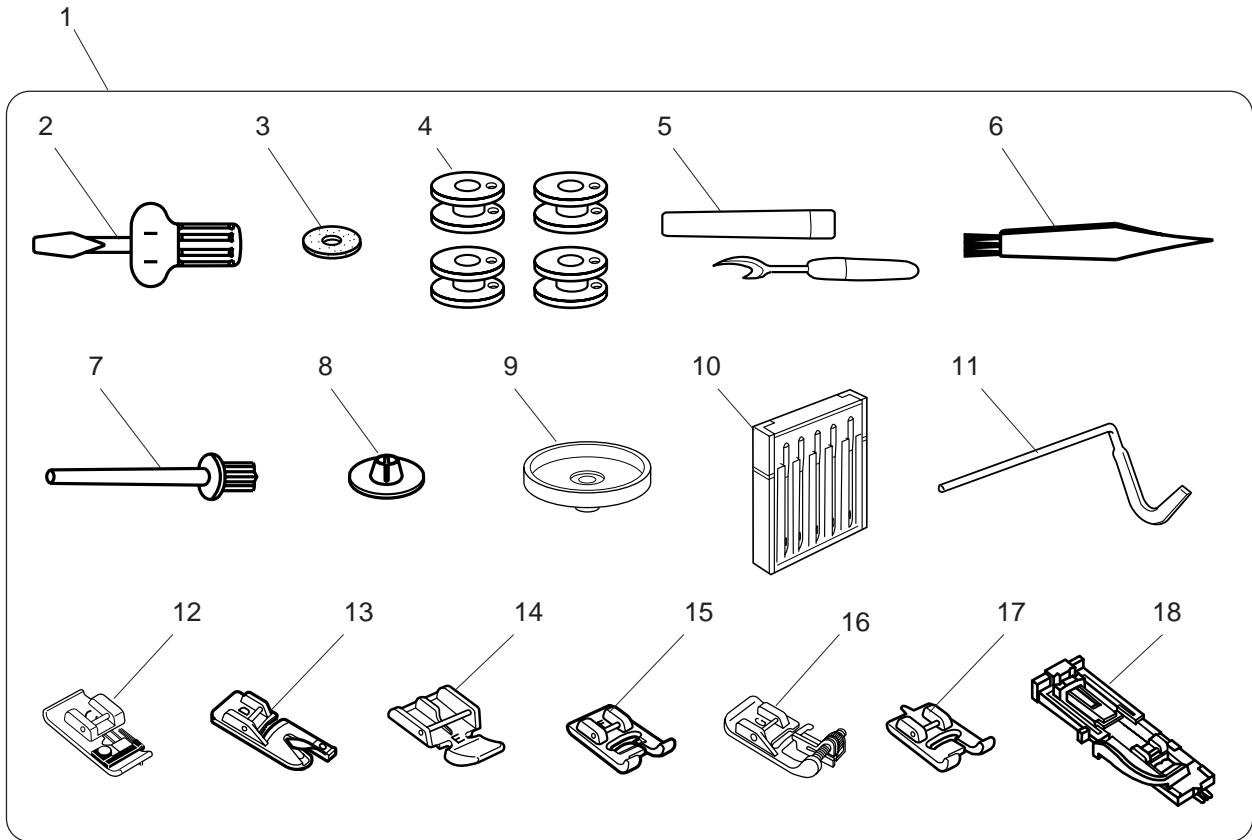
PARTS LIST



PARTS LIST

KEY NO.	PARTS NO.	DESCRIPTION
1	503650108	Electric component (unit)
2	503637006	Lamp bracket (unit)
3	503124005	Lamp bracket
4	655681009	Lamp socket (unit)
5	000120214	Setscrew 3x8 (B)
6	739503308	Machine socket (unit)
7	000060802	Hexagonal nut
8	739037007	Machine socket lid
9	000107802	Setscrew 3x10 (B)
10	503633105	Motor
11	000009009	Lamp 240V
12	000103509	Setscrew 4x10
13	000138503	Flanged hexagonal bolt 5x12
14	503508007	Bobbin winder arm (unit)
15	000002806	Snap ring E-4
16	502181007	Bobbin winder arm
17	502185001	Bobbin winder arm spring
18	506027006	Belt cover
19	653006101	Cap
20	000081005	Setscrew 4x8
21	503614007	Idler (unit)
22	502072004	Idler bracket
23	625217100	Idler
24	503145002	Idler plate
25	000103705	Setscrew 4x5
26	000188209	Nylon clip

PARTS LIST



PARTS LIST

KEY NO.	PARTS NO.	DESCRIPTION
1	506870002	Accessory set
2	820832005	Screwdriver
3	102403109	Felt
4	102261000	Bobbin
5	647808009	Seam ripper
6	802424004	Brush
7	625031500	Additional spool pin
8	822019509	Spool holder (small)
9	829803004	Spool stand
10	540401026	Needle set
11	802422002	Quilting bar
12	820804019	Overedge foot
13	820809014	Hemmer foot
14	829801002	Zipper foot
15	822804118	Satin stitch foot
16	820817015	Blind stitch foot
17	820801016	BH foot
18	753801004	Automatic BH foot
19	C-2037-1	Foot control
20	506800229	Instruction book
21	506808010	Cover