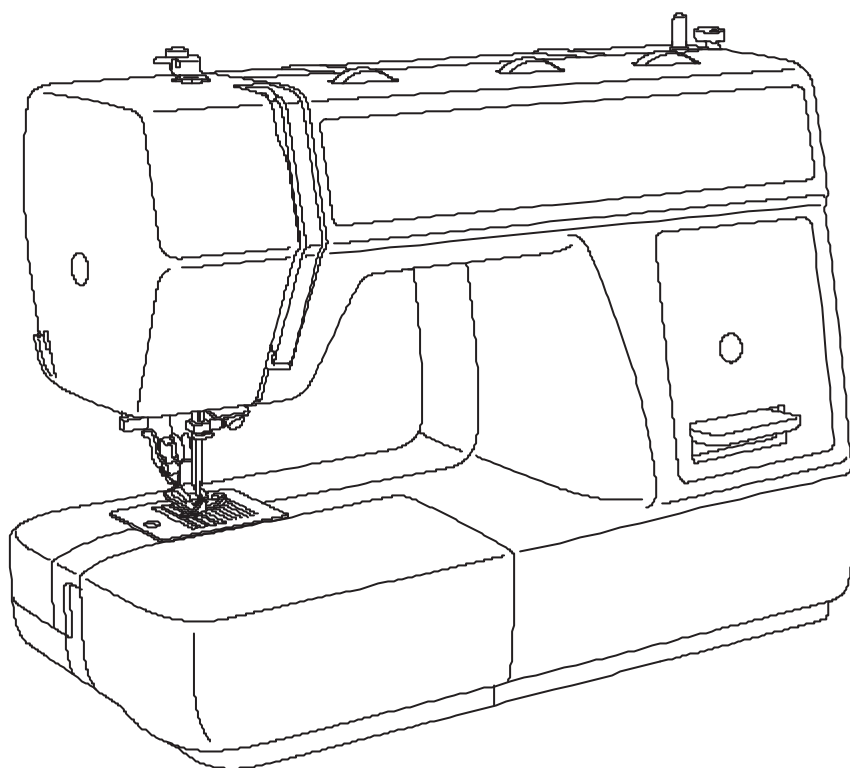


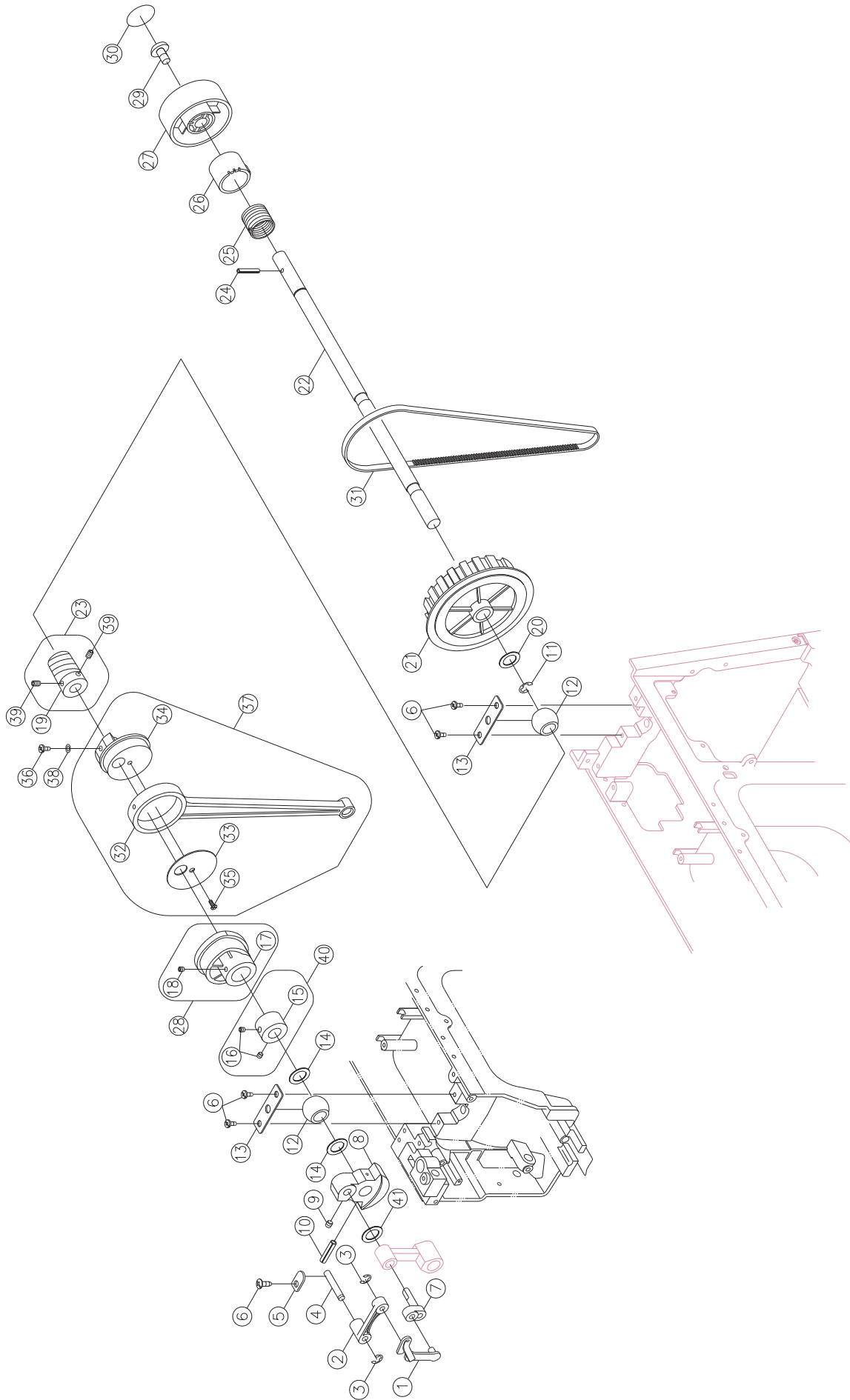
PARTS LIST



© 2019 SVP Worldwide - All Rights Reserved.

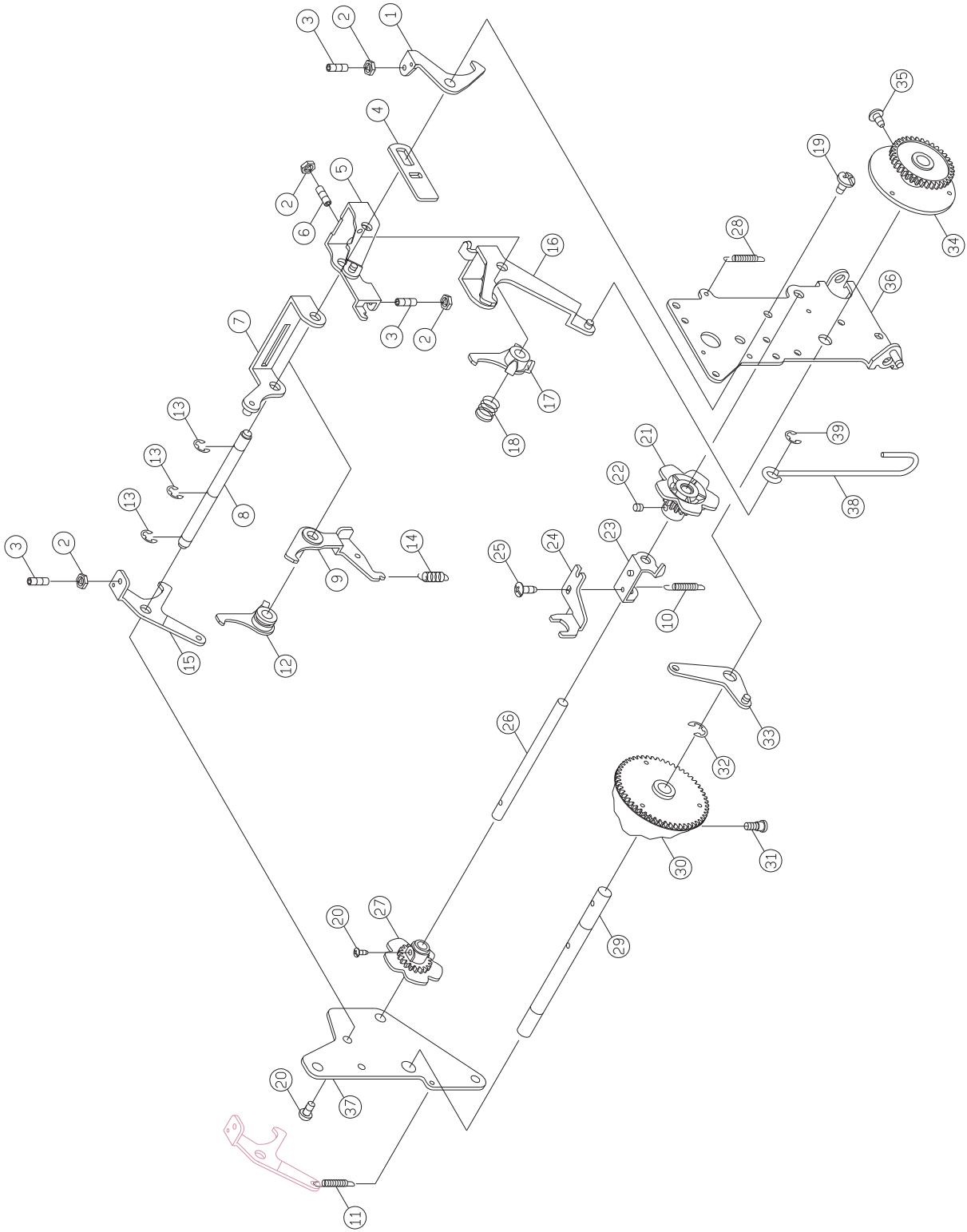
E20

A

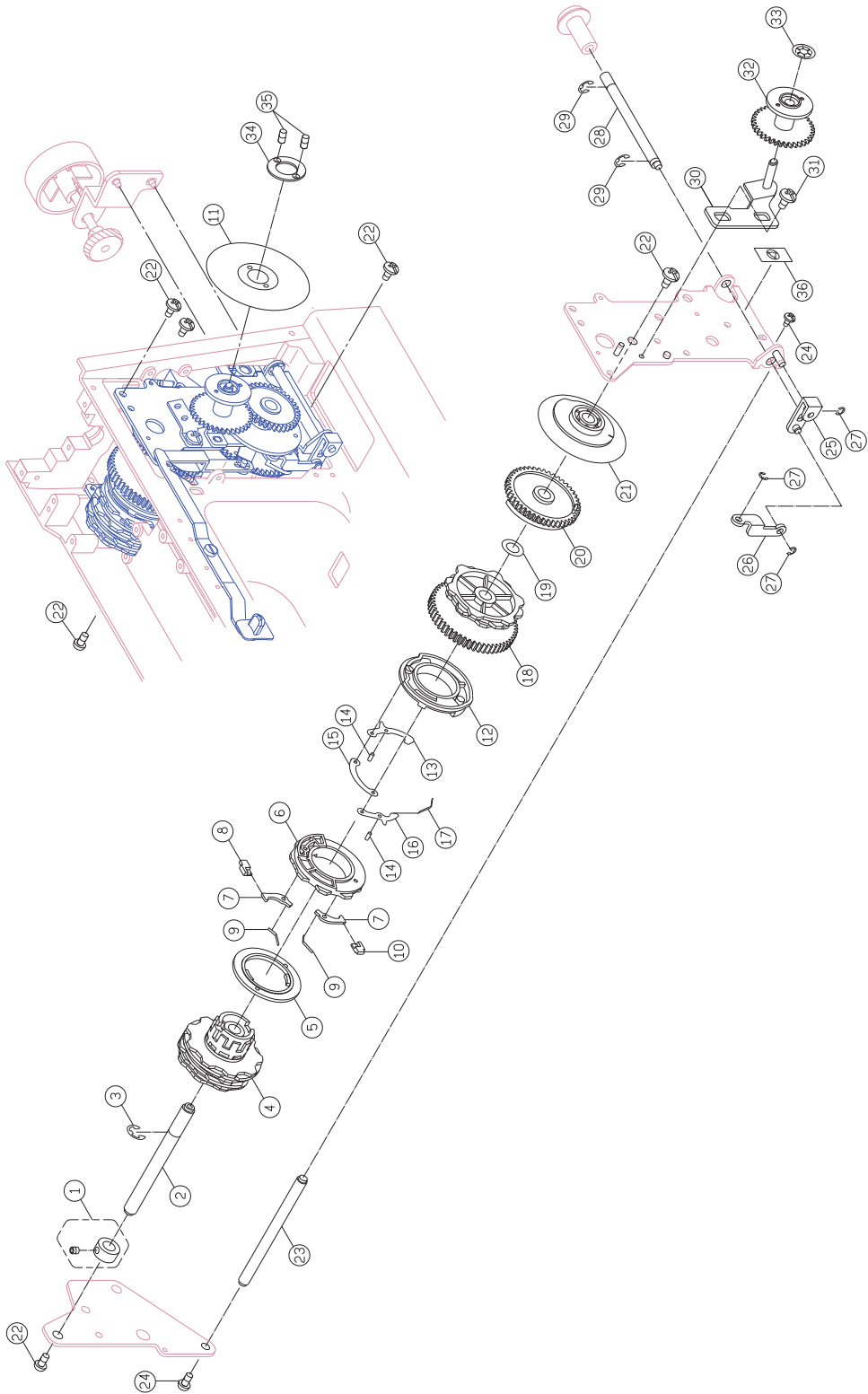


| Pos. | Part No. | Description |
|------|----------------|---|
| 1 | 68001134 | THREAD TAKE UP LEVER CPL |
| 2 | | THREAD TAKE UP LEVER SUPPORTER |
| 3 | | E-RING (ETW-4) |
| 4 | | THREAD TAKE UP LEVER SUPPORTER SHAFT |
| 5 | | SET WASHER |
| 6 | | SET SCREW (M4×8 A) |
| 7 | | ARM SHAFT BALANCE PIN |
| 8 | | ARM SHAFT BALANCE |
| 9 | | SET SCREW (M4×6 C) |
| 10 | | ARM SHAFT BALANCE PIN (ϕ 3.5×24) |
| 11 | | E-RING (ETW-9) |
| 12 | | ARM SHAFT BUSHING |
| 13 | | ARM SHAFT BUSHING HOLDER PLATE |
| 14 | | ENDURE ATTRITION WASHER |
| 15 | | ARM SHAFT COLLAR |
| 16 | | SET SCREW (M5×5 C) |
| 17 | | FEED CAM |
| 18 | | SET SCREW (M4×4 C) |
| 19 | | ARM SHAFT WORM |
| 20 | | WASHER (10.2×15×0.5) |
| 21 | | ARM SHAFT DRIVE BELT PULLEY |
| 22 | | ARM SHAFT |
| 23 | | ARM SHAFT WORM COMPLETE |
| 24 | | SPRING PIN (ϕ 3×18) |
| 25 | | ARM SHAFT CLUTCH ANNULUS SPRING |
| 26 | | ARM SHAFT COLLAR |
| 27 | 416242501 | HAND WHEEL |
| 28 | | FEED CAM COMPLETE |
| 29 | | SET SCREW (M5×10) |
| 30 | | HAND WHEEL DECORATED PLATE |
| 31 | 270 007163XXL5 | MOTOR DRIVE BELT(163XXL) |
| 32 | | CRANK CONNECTING ROD |
| 33 | | CRANK CONNECTING COVER |
| 34 | | CRANK CONNECTING ROD CAM |
| 35 | | SET SCREW (M4×6B) |
| 36 | | SET SCREW (11/64×40 L=12) |
| 37 | | CRANK CONNECTING ROD COMPETE |
| 38 | | SPRING WASHER |
| 39 | | SET SCREW |
| 40 | | ARM SHAFT COLLAR COMPLETE |
| 41 | | ENDURE ATTRITION WASHER |

B

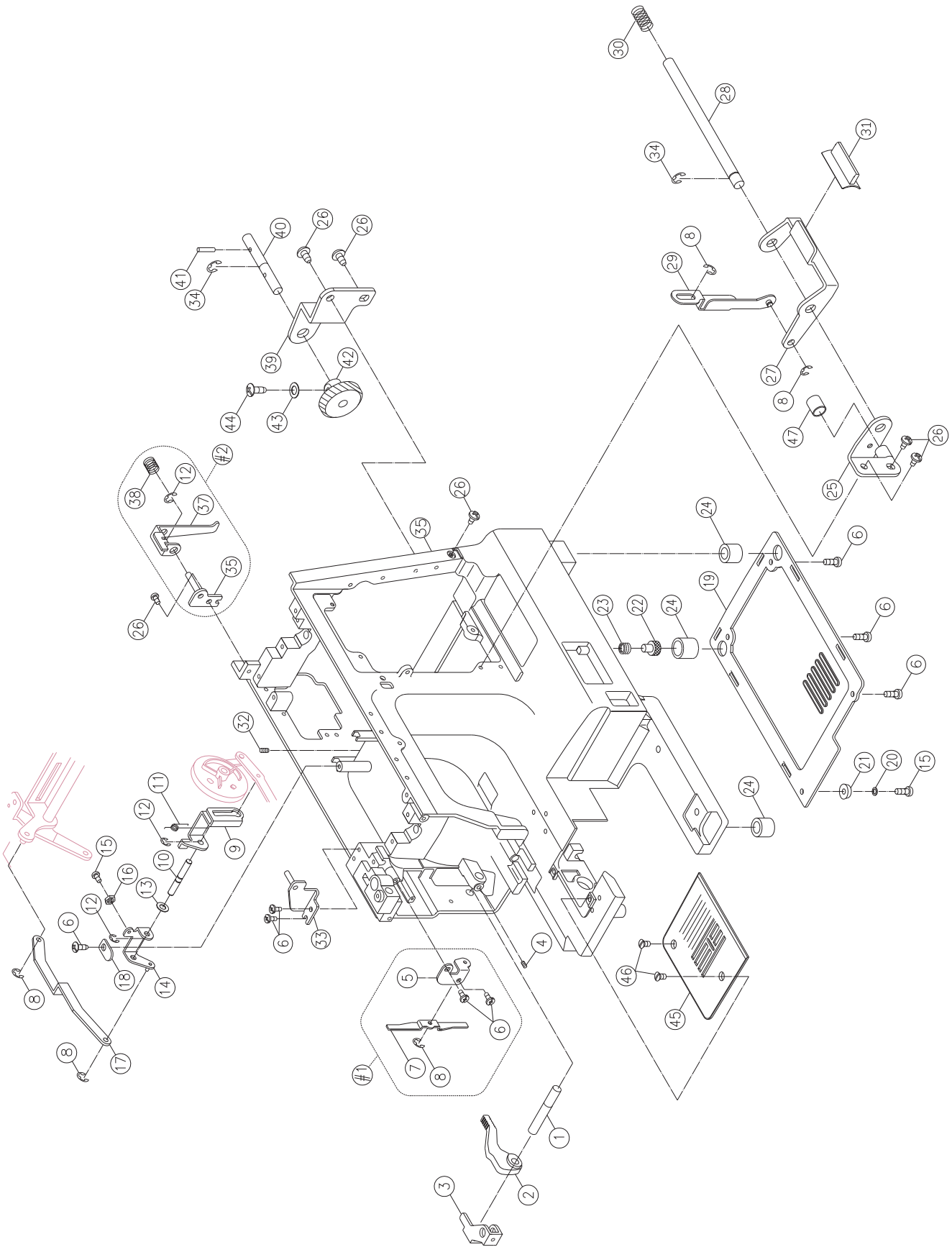


| Pos. | Part No. | Description |
|------|----------|-------------------------------------|
| 1 | | STRETCH STITCH RELEASE PLATE |
| 2 | | SET SCREW (ALN-4) |
| 3 | | SET SCREW (M4×0.7 L = 9) |
| 4 | | BH ADJUSTING PLATE |
| 5 | | BH ADJUSTING CRANK |
| 6 | | SET SCREW (M4×0.7 L = 12) |
| 7 | | ZIG ZAG CAM CONTACT SUPPORTER |
| 8 | | ZIG ZAG CAM CONTACT SUPPORTER SHAFT |
| 9 | | BH FEED CRANK |
| 10 | | AUTO THREADED LEVER SPRING |
| 11 | | SPRING |
| 12 | | ZIG ZAG CAM CONTACT |
| 13 | | E-RING (ETW-5) |
| 14 | | BH FEED CRANK SPRING |
| 15 | | ZIG ZAG RELEASE PLATE |
| 16 | | SS CAM CONTACT SUPPORTER |
| 17 | | SS CAM CONTACT |
| 18 | | SS CAM CONTACT SPRING |
| 19 | | SET SCREW (M4×8 A) |
| 20 | | SET SCREW (M3×8 B) |
| 21 | | STRETCH STITCH RELEASE |
| 22 | | SET SCREW (M4×4) |
| 23 | | ZIG ZAG MOVEMENT CONTACT |
| 24 | | MOVEMENT PLATE |
| 25 | | SET SCREW (M3×6 A) |
| 26 | | PATTERN SELECTOR CAM SHAFT |
| 27 | | ZIG ZAG CAM |
| 28 | | SPRING |
| 29 | | PATTERN SELECTOR CAM SHAFT |
| 30 | | PATTERN SELECTOR CAM |
| 31 | | SET SCREW (M4) |
| 32 | | E-RING (ETW-6) |
| 33 | | PATTERN SELECTOR ADJUSTING LEVER |
| 34 | | ZIG ZAG SELECTOR CAM |
| 35 | | SET SCREW (M4×10B) |
| 36 | | PATTERN CAM CONTACT PLATE (FRONT) |
| 37 | | PATTERN CAM CONTACT PLATE (BACK) |
| 38 | | FEED ROCK SHAFT |
| 39 | | E-RING (ETW-4) |

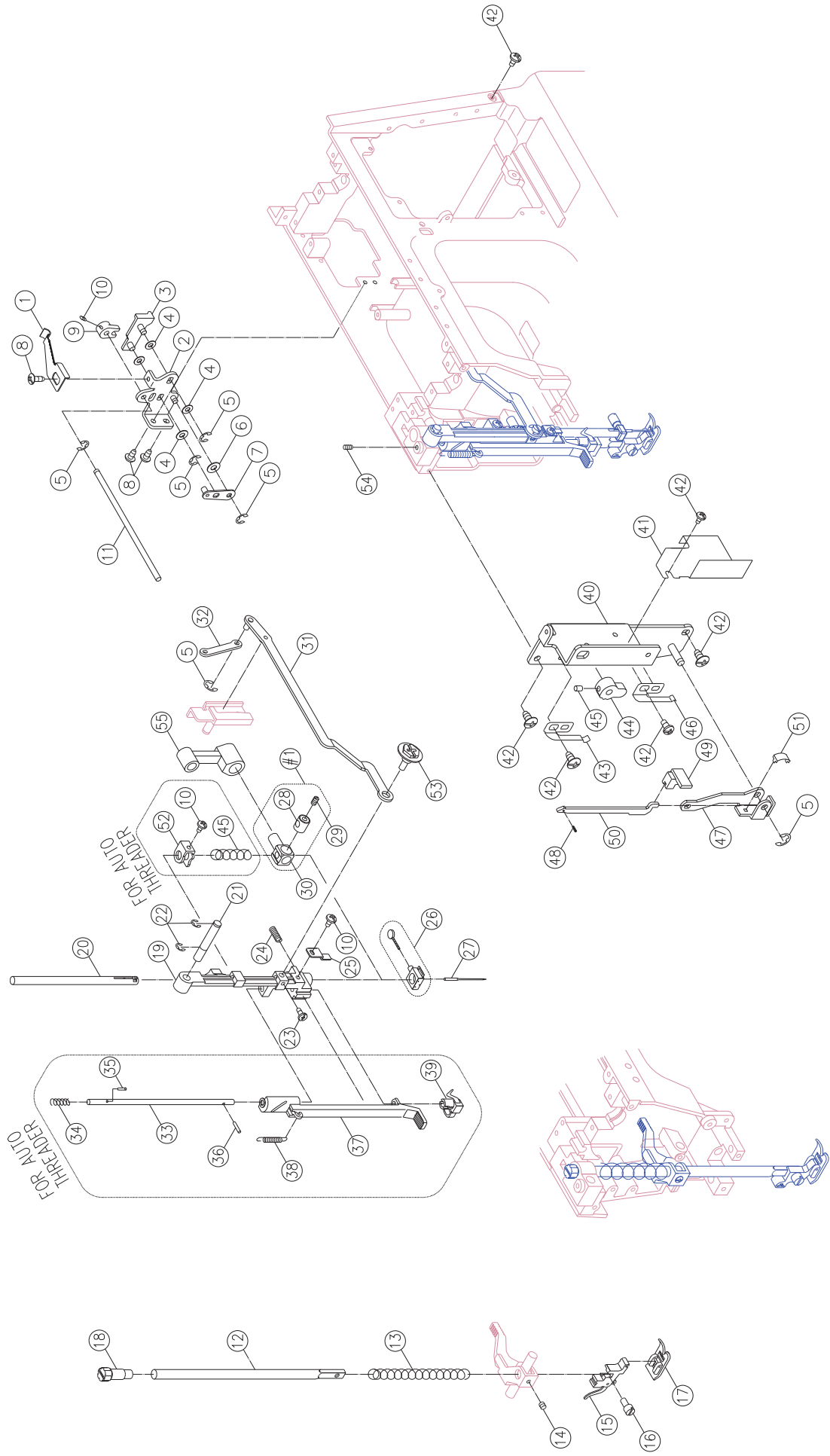


| Pos. Part No. | Description |
|---------------|-------------------------------------|
| 1 | PATTERN CAM SHAFT COLLAR COMPLETE |
| 2 | PATTERN CAM SHAFT |
| 3 | E-RING (ETW-6) |
| 4 | PATTERN CAM |
| 5 | STRAIGHT STITCH CAM |
| 6 | BH CAM |
| 7 | BH CONTACT |
| 8 | BH SLIDE BLOCK B |
| 9 | BH CONTACT SPRING PLATE |
| 10 | BH SLIDE BLOCK A |
| 11 | PATTERN SELECTOR PLATE |
| 12 | BH FEED REGULATOR CAM |
| 13 | BH CLUTCH CONTACT A |
| 14 | BH CLUTCH SHAFT |
| 15 | BH CLUTCH LEVER |
| 16 | BH CLUTCH CONTACT B |
| 17 | BH CLUTCH SPRING PLATE |
| 18 | SS CAM |
| 19 | WASHER (8.2×14×0.5) |
| 20 | FEED REGULATOR CAM |
| 21 | STRETCH STITCH SELECTOR CAM |
| 22 | SET SCREW (M4×8 A) |
| 23 | PATTERN CAM CONTACT SUPPORTER SHAFT |
| 24 | SET SCREW (M3×8 B) |
| 25 | BH ADJUSTING HOOK HOLDER |
| 26 | BH ADJUSTING ROD |
| 27 | E-RING (ETW-3) |
| 28 | ADJUSTING SHAFT |
| 29 | E-RING (ETW-4) |
| 30 | PATTERN GEAR PLATE |
| 31 | SET SCREW (M4X6 B) |
| 32 | PATTERN GEAR |
| 33 | CS RING(CSTW-4) |
| 34 | PATTERN SELECTOR PLATE |
| 35 | SET SCREW (M2*10MM) |
| 36 | SET NUT |

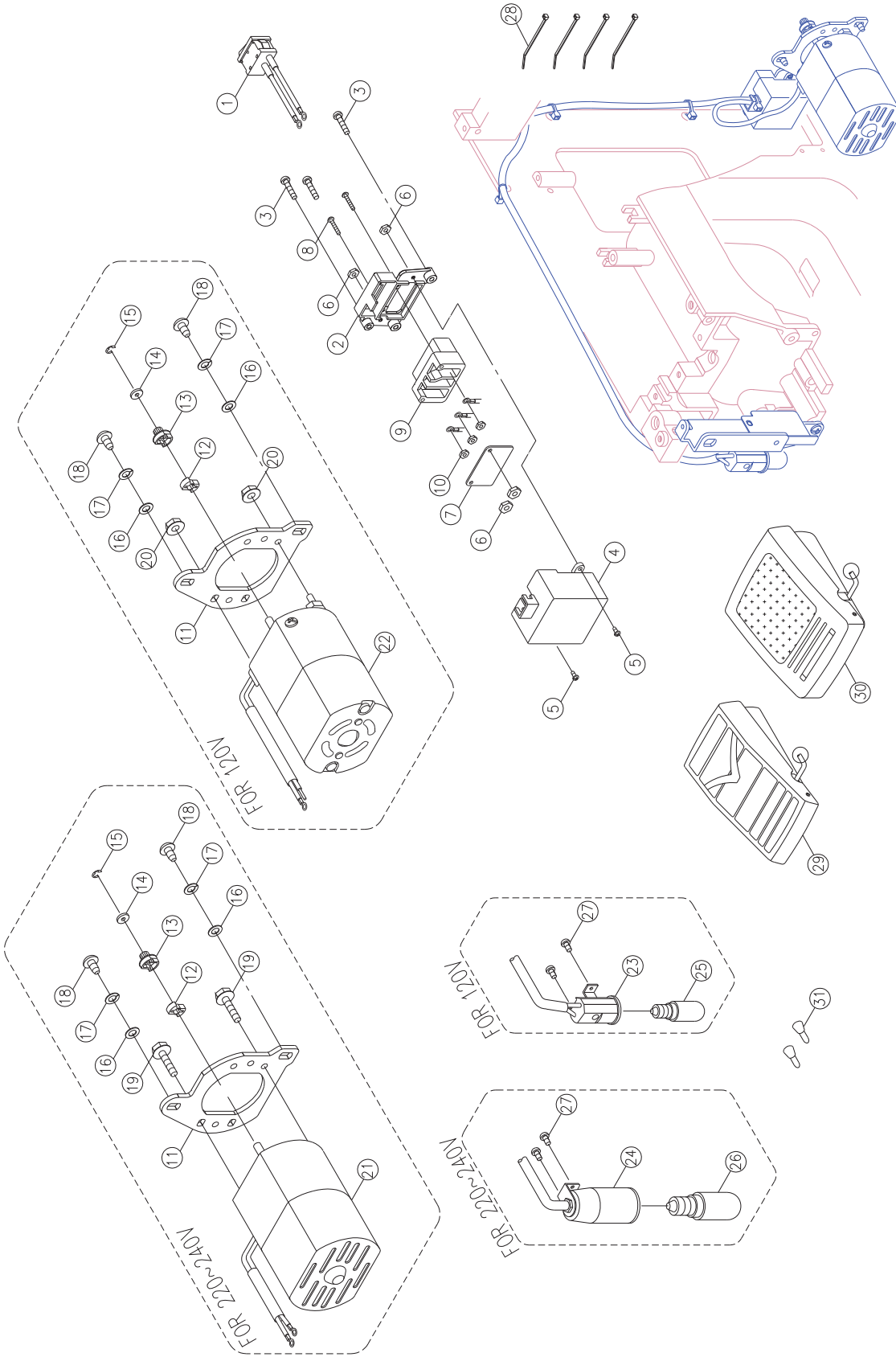
D



| Pos. | Part No. | Description |
|------|----------------|------------------------------------|
| 1 | | PRESSER BAR LIFTER LEVER SHAFT |
| 2 | 270 F4A0043000 | PRESSER BAR LIFTER LEVER |
| 3 | | PRESSER BAR BRACKET |
| 4 | | SET SCREW (M4X8 C) |
| 5 | | TENSION FRAME |
| 6 | | SET SCREW (M4×8 A) |
| 7 | | TENSION LEVER LIFTER |
| 8 | | E-RING (ETW-3) |
| 9 | | ZIGZAG WIDTH REGULATING CAM |
| 10 | | ZIGZAG WIDTH REGULATING CAM SHAFT |
| 11 | | ZIGZAG WIDTH SPRING |
| 12 | | E-RING (ETW-5) |
| 13 | | WASHER (6.7×14×0.8) |
| 14 | | ZIGZAG REGULATOR CRANK |
| 15 | | SET SCREW (M4×10 B) |
| 16 | | SET NUT (ALN-4) |
| 17 | | ROD |
| 18 | | SET WASHER |
| 19 | | PLATE |
| 20 | | WASHER (4.5×10×0.8) |
| 21 | 270 J31413000 | FREE ARM BASE CUSHION RUBBER |
| 22 | | BASE PLATE ADJUSTMENT SCREW |
| 23 | | BASE PLATE ADJUSTMENT SCREW SPRING |
| 24 | 416152901 | FREE ARM BASE CUSHION RUBBER |
| 25 | | REVERSE PLATE |
| 26 | | SET SCREW (M4×6 B) |
| 27 | | REVERSE CRANK |
| 28 | | REVERSE CRANK SHAFT |
| 29 | | REVERSE ROD |
| 30 | | REVERSE LEVER SPRING |
| 31 | | REVERSE BUTTON |
| 32 | | SET SCREW (M4×6 C) |
| 33 | | ARM TOP COVER PLATE COMPLETE |
| 34 | | E-RING (ETW-5) |
| 35 | | ARM |
| 36 | | CLUTCH ROD PLATE |
| 37 | | CLUTCH ROD |
| 38 | | CLUTCH ROD SPRING |
| 39 | | SELECTOR DIAL PLATE |
| 40 | | SELECTOR DIAL SHAFT |
| 41 | | SPRING PIN (?2.5×6) |
| 42 | | SELECTOR GEAR |
| 43 | | WASHER (3.2*8*0.8) |
| 44 | | SET SCREW (M3×8 B) |
| 45 | 416237501 | NEEDLE PLATE |
| 46 | 416122901 | SET SCREW (M4×6) |
| 47 | | REVERSE PLATE ROLLER |
| #1 | | TENSION LEVER LIFTER PLATE |
| #2 | | CLUTCH ROD COMPLETE |

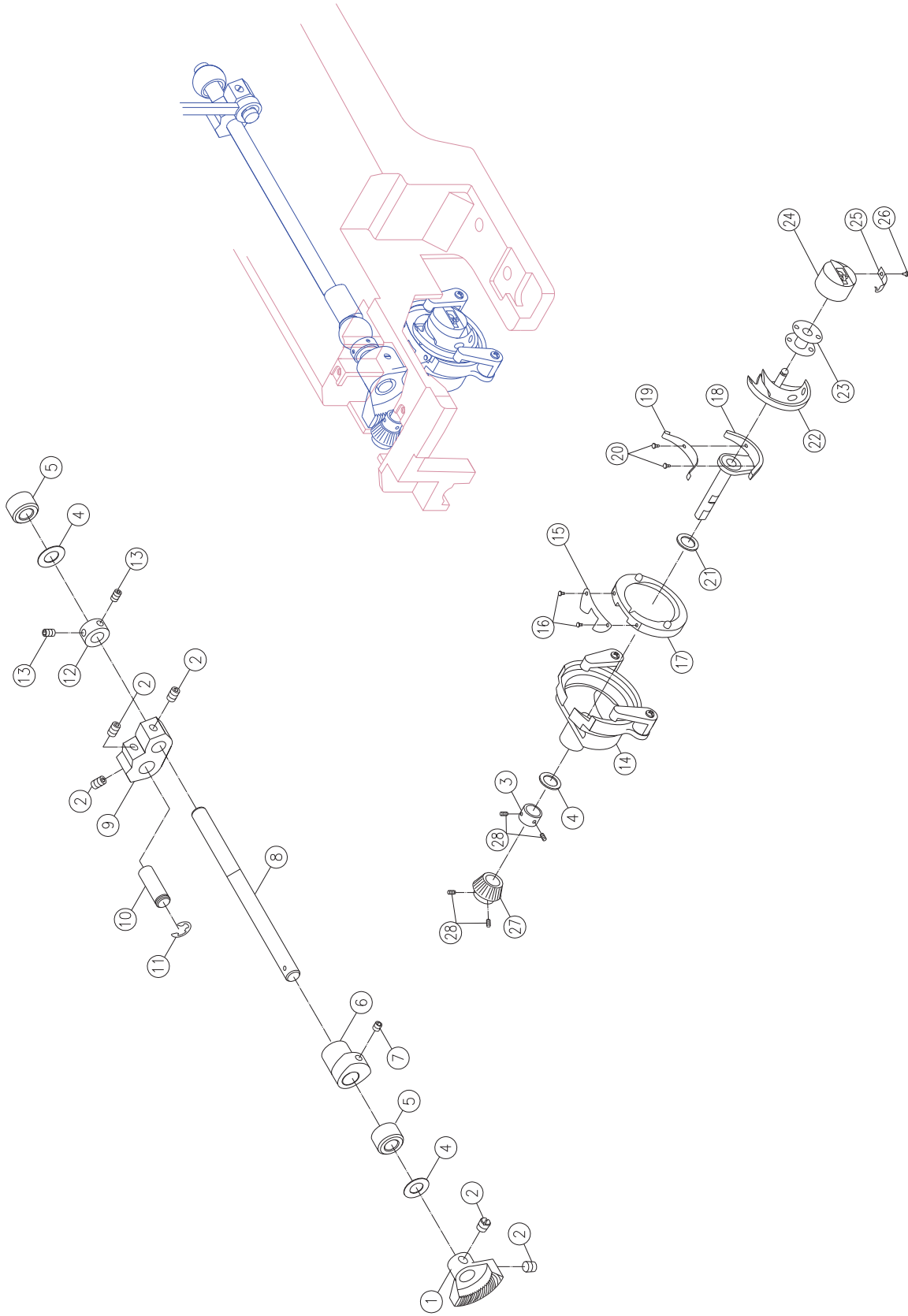


| Pos. | Part No. | Description |
|------|-----------|--|
| 1 | | BH CAM PLATE |
| 2 | | BH SELECTOR PLATE |
| 3 | | BH SLIDE PLATE |
| 4 | | WASHER (4.2×9×0.5) |
| 5 | | E-RING (ETW-3) |
| 6 | | WASHER (4.2×12×1.2) |
| 7 | | BH SELECTOR PLATE |
| 8 | | SET SCREW (M4×8 A) |
| 9 | | BH SELECT CRANK |
| 10 | | SET SCREW (M3×6 A) |
| 11 | | BH SELECT CRANK SHAFT |
| 12 | | PRESSER BAR |
| 13 | | PRESSER BAR SPRING |
| 14 | | SET SCREW (M4×8 C) |
| 15 | 416128201 | SHANK COMPLETE |
| 16 | 416118401 | SET SCREW(9/64*40*7) |
| 17 | 416128401 | ZIP ZAP PRESSER FOOT COMPLETE |
| 18 | | PRESSER BAR REGULATING SCREW |
| 19 | | NEEDLE BAR SUPPORTER |
| 19 | | NEEDLE BAR SUPPORTER FOR AUTO THREADED |
| 20 | | NEEDLE BAR |
| 21 | | NEEDLE BAR SUPPORTER PIN |
| 21 | | NEEDLE BAR SUPPORTER PIN FOR AUTO THREADED |
| 22 | | E-RING (ETW-5) |
| 23 | | SET SCREW (9/64×40×7) |
| 24 | | NEEDLE BAT SUPPORTER SPRING |
| 25 | | NEEDLE BAR STOPPER PLATE |
| 26 | 416245301 | NEEDLE CLAMP COMPLETE |
| 27 | | NEEDLE |
| 28 | | NEEDLE BAR BRACKET (2) |
| 29 | | SET SCREW (M4X4 C) |
| 30 | | NEEDLE BAR BRACKET (1) |
| 31 | | NEEDLE BAR DRIVING ROD COMPLETE |
| 32 | | ZIGZAG WIDTH CRANK ROD |
| 33 | | AUTO THREADED SHAFT |
| 34 | | AUTO THREADED SHAFT SPRING |
| 35 | | AUTO THREADED SHAFT PIN(φ2×14) |
| 36 | | AUTO THREADED SHAFT PIN(φ2×6) |
| 37 | | AUTO THREADED LEVER |
| 38 | | AUTO THREADED LEVER SPRING |
| 39 | 416145801 | AUTO THREADED |
| 40 | | BH LEVER PLATE |
| 41 | | SHIELD |
| 42 | | SET SCREW (M4×6 B) |
| 43 | | BH POSITIONED PLATE |
| 44 | | BH MOVEMENT CRANK |
| 45 | | TENSION LEVER LIFTER SPRING |
| 46 | | BH POSITIONED PLATE |
| 47 | | BH LEVER CRANK |
| 48 | | SPRING PIN (?1.6×5) |
| 49 | | BH LEVER BUTTON |
| 50 | | BH LEVER |
| 51 | | BH LEVER SPRING PLATE |
| 52 | | AUTO THREADED STOPPER |
| 53 | | NEEDLE BAR DRIVING ROD PIN |
| 54 | | SET SCREW(M4*5 C) |
| 55 | 416235801 | NEEDLE BAR CRANK ROD |
| #1 | 416150801 | NEEDLE BAR BRACKET COMPLETE |

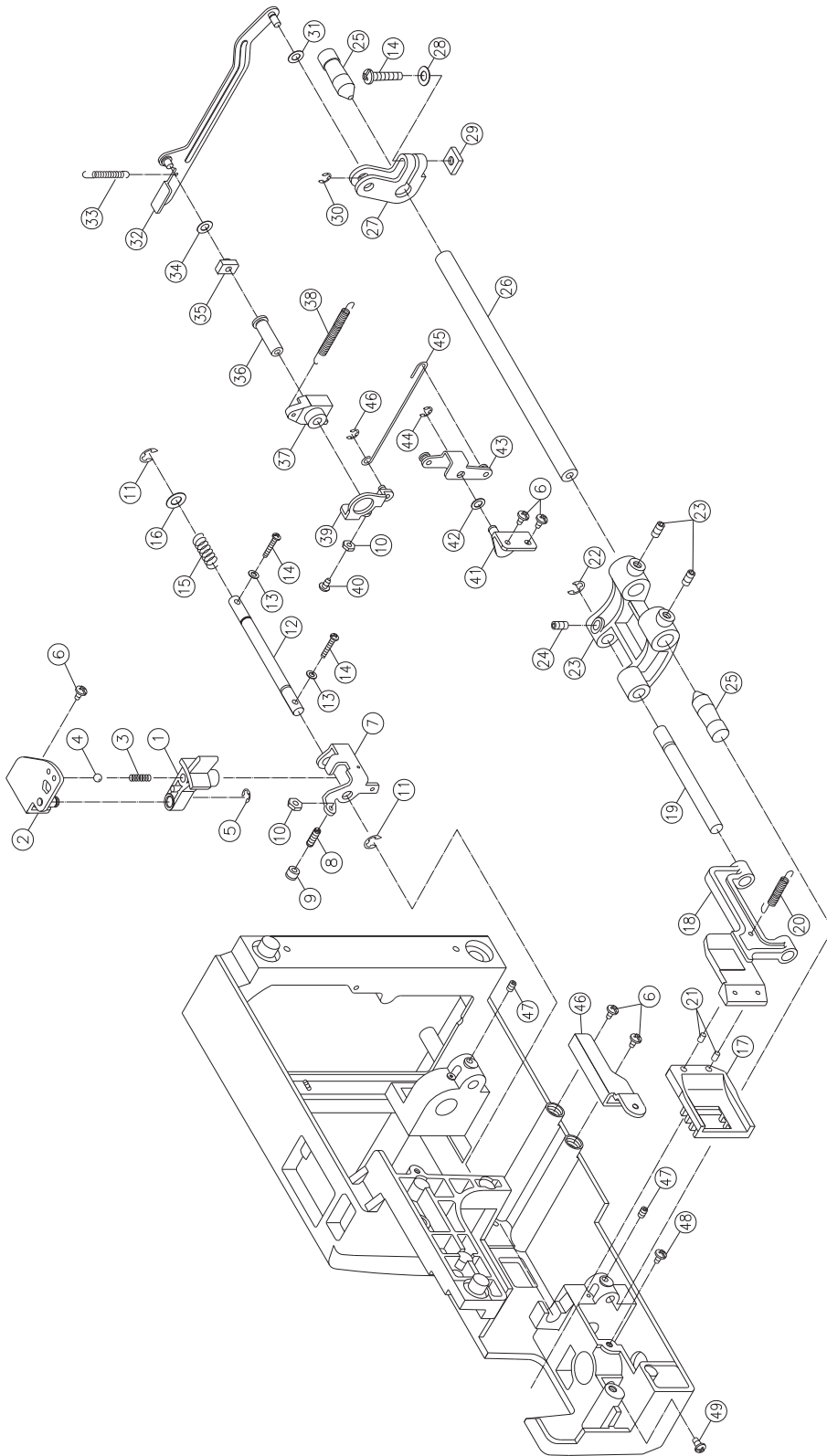


ALL VOLTAGE APPLICATION & SPEC. ,PLEASE CHECK NEXT PAGE.

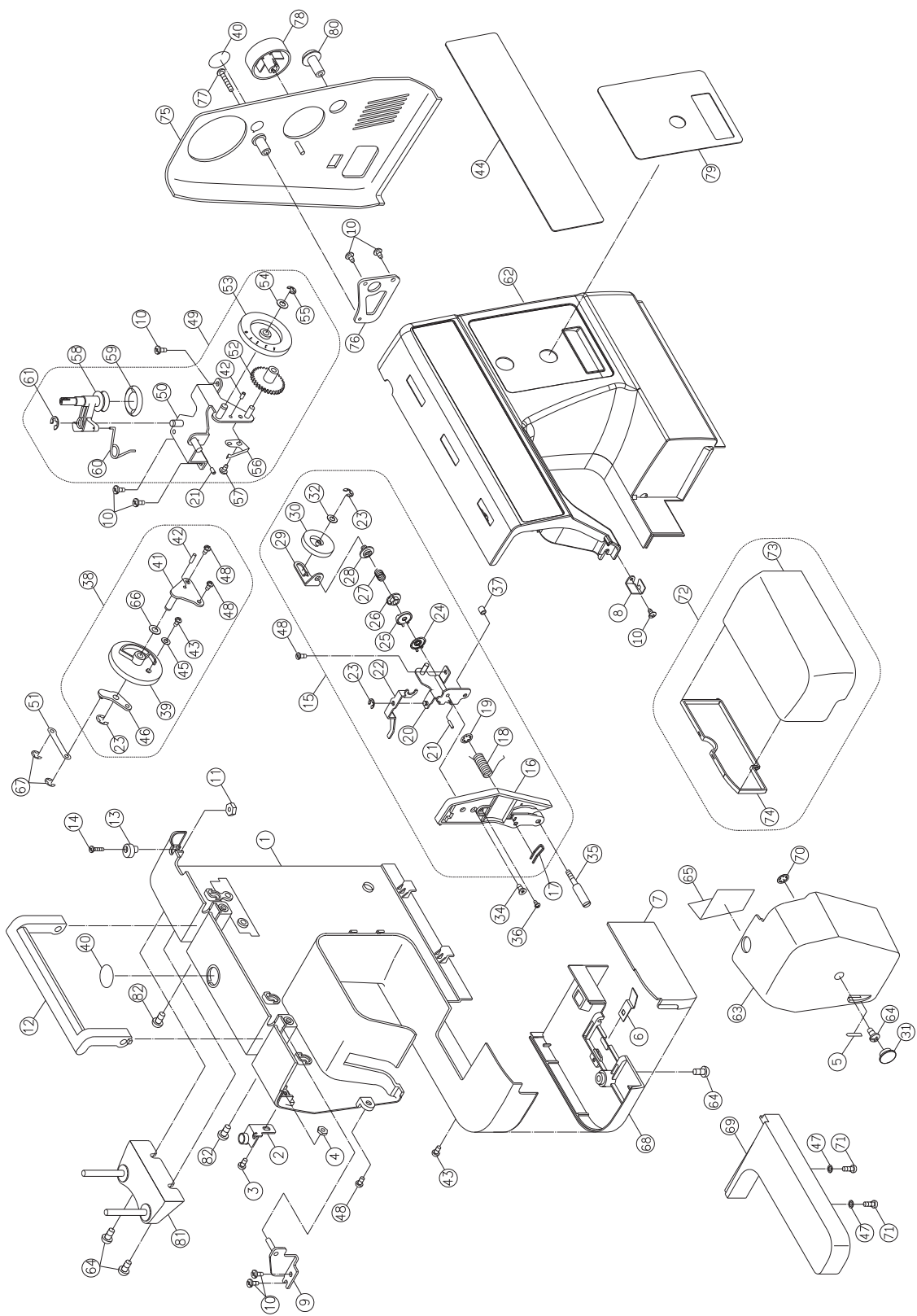
| Pos. | Part No. | Description | |
|------|----------------|------------------------------|----------------------|
| 1 | 416115001 | SWITCH ASS'Y | |
| 2 | | RECEPTACLE HOLDER | |
| 3 | | SET SCREW (M4×8 A) | |
| 4 | | RECEPTACLE HOLDER COVER | |
| 5 | | SET SCREW (M3×8 B) | |
| 6 | | NUT (M3 T=2.3) | |
| 7 | | CONCERT INSULATION PLATE | |
| 8 | | SET SCREW (M3×20) | |
| 9 | | RECEPTACLE | |
| 10 | | NUT (M3×4) | |
| 11 | | MOTOR BRACKET | |
| 12 | | CUSHION RUBBER | |
| 13 | | BELT WHEEL | |
| 14 | | MOTOR FEED REGULATOR COLLAR | |
| 15 | | E-RING (ETW-3) | |
| 16 | | WASHER (5.4×10×0.9) | |
| 17 | | SPRING WASHER (5.2×9×1) | |
| 18 | | SET SCREW (M5×12) | |
| 19 | | SET SCREW (M4×10.2) | FOR220~240V |
| 20 | | NUT (M4×5.5) | FOR120V |
| 21 | 416430001 | MOTOR COMPLETE (HF(S)-07250) | FOR 230V /EU. |
| 21 | | MOTOR COMPLETE (HF(S)-07250) | FOR 230V / DUBAI |
| 21 | 270 001V881005 | MOTOR COMPLETE (HF(S)-07250) | FOR 240V / SAA |
| 21 | 416528301 | MOTOR COMPLETE (HF(S)-07250) | FOR 240V/ U.K |
| 22 | 416528001 | MOTOR COMPLETE (HF(S)-07150) | FOR 120V/US |
| 23 | | LAMP HOLDER COMPLETE | FOR 120V |
| 24 | | LAMP HOLDER COMPLETE | FOR 230V |
| 25 | 416126901 | LAMP (10W) | FOR 120V |
| 26 | 416127001 | LAMP (15W) | FOR 230V.240V |
| 27 | | SET SCREW (M3×5 B) | |
| 28 | | CORD CLIP | |
| 29 | 416183301 | FOOT CONTROLLER (KD-1902) | FOR 100~120V / U.S.A |
| 30 | 68001147 | FOOT CONTROLLER (KD-2902) | FOR 230V / EU. |
| 30 | 416523901 | FOOT CONTROLLER (KD-2902) | FOR 230V / DUBAI |
| 30 | 416112701 | FOOT CONTROLLER (KD-2902) | FOR 240V / U.K |
| 30 | 416183701 | FOOT CONTROLLER (KD-2902) | FOR 240V / SAA |
| 31 | | END TERMED | |



| NO. | PART NO. | DESCRIPTION |
|-----|-----------|-------------------------------------|
| 1 | | LOWER SHAFT GEAR |
| 2 | | SET SCREW (M5*5 C) |
| 3 | | SHUTTLE DRIVER SHAFT COLLAR |
| 4 | | ENDURE ATTRITION WASHER(8.2×16×0.5) |
| 5 | | LOWER SHAFT BUSHING |
| 6 | | FEED LIFTING ROCK CAM |
| 7 | | SET SCREW (M4×5 C) |
| 8 | | LOWER SHAFT |
| 9 | | CRANK CONNECTING ROD CRANK |
| 10 | | CRANK CONNECTING ROD CRANK PIN |
| 11 | | E-RING (ETW-5) |
| 12 | | LOWER SHAFT COLLAR |
| 13 | | SET SCREW (M4×4 C) |
| 14 | 68000176 | OPEN SHUTTLE RACE |
| 15 | | SHUTTLE HOOK HOLDER SPRING |
| 16 | | SHUTTLE HOOK HOLDER SPRING SCREW |
| 17 | | SHUTTLE HOOK HOLDER |
| 18 | | SHUTTLE DRIVER |
| 19 | | SHUTTLE DRIVER SPRING |
| 20 | | SHUTTLE DRIVER SPRING SCREW |
| 21 | | ENDURE BAR WASHER (7.6×12×0.13) |
| 22 | 416392101 | SHUTTLE HOOK (4.6MM) |
| 23 | 68000175 | BOBBIN |
| 24 | 416153401 | BOBBIN CASE CPL |
| 25 | | BOBBIN CASE SPRING |
| 26 | | BOBBIN CASE SPRING SET SCREW |
| 27 | | SHUTTLE DRIVER SHAFT GEAR |
| 28 | | SET SCREW (11/64×40×4 C) |

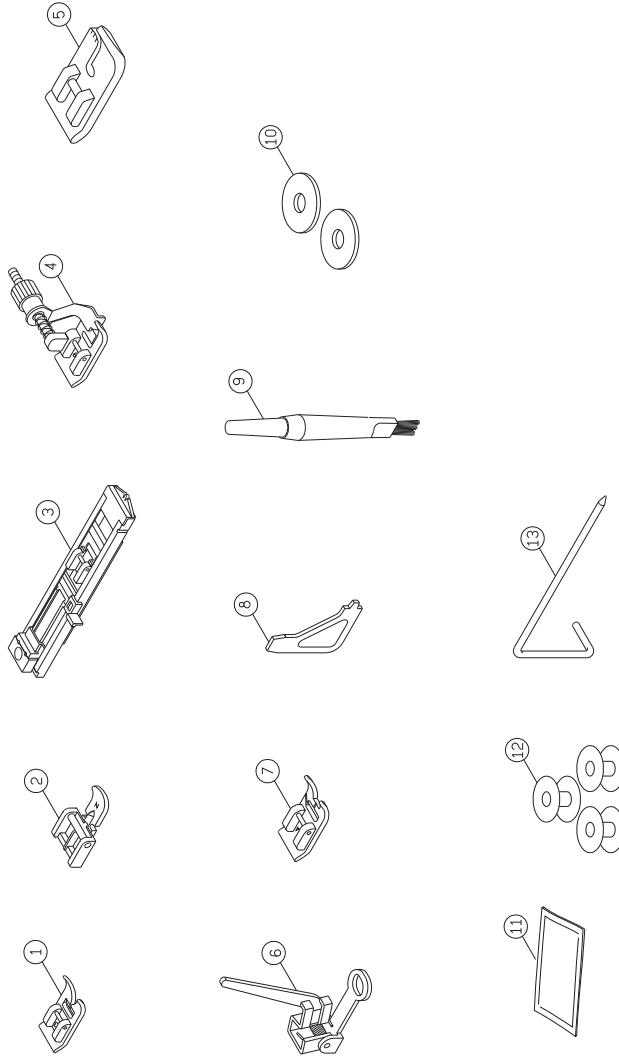


| Pos. | Part No. | Description |
|------|-----------|--------------------------------------|
| 1 | | FEED DOG LIFTING ROD |
| 2 | | FEED LIFTING SHAFT CRANK |
| 3 | | PRESSER BAR REGULATING SPRING |
| 4 | | STEEL BALL |
| 5 | | E-RING (ETW-4) |
| 6 | | SET SCREW (M4×8 A) |
| 7 | | FEED ROCK CRANK |
| 8 | | SET SCREW (M4×10) |
| 9 | | SET SCREW KNOB |
| 10 | | ADJUSTING NUT (M4X0.7) |
| 11 | | E-RING (ETW-7) |
| 12 | | FEED ROCK SHAFT |
| 13 | | WASHER (4.2×8×0.8) |
| 14 | | SET SCREW (M4×15 B) |
| 15 | | FEED LIFTING ROCK SHAFT SPRING |
| 16 | | E-RING (8.2×16×1) |
| 17 | 416244001 | FEED DOG |
| 18 | | FEED DOG FRAME |
| 19 | | FEED DOG SHAFT |
| 20 | | FEED DOG FRAME SPRING |
| 21 | | SET SCREW (1/8×44 L=5) |
| 22 | | E-RING (ETW-5) |
| 23 | | FEET ROCK FRAME |
| 24 | | SET SCREW (M4×6C) |
| 25 | | CENTER BAR |
| 26 | | FEED ROCK SHAFT |
| 27 | | FEED ROCK CRANK |
| 28 | | WASHER (4×8×0.5) |
| 29 | | FEED ROCK CRANK NUT (M4) |
| 30 | | E-RING (ETW-3) |
| 31 | | ENDURE ATTRITION WASHER(5.5×12×0.25) |
| 32 | | FORK ROD |
| 33 | | FORK ROD SPRING |
| 34 | | WASHER (5.7×10.5×0.5) |
| 35 | | FEED REGULATING BLOCK |
| 36 | | FEED REGULATING SHAFT |
| 37 | | FEED REGULATING |
| 38 | | FEED REGULATING SPRING |
| 39 | | FEED REGULATING PLATE COMPLETE |
| 40 | | SET SCREW (M4×10 B) |
| 41 | | FEES ROD FRAME COMPLETE |
| 42 | | WASHER (6.2×12×0.5) |
| 43 | | FEED ROCK ROD COMPLETE (3) |
| 44 | | E-RING (ETW-5) |
| 45 | | FEED ROCK ROD (2) |
| 46 | | FOOT HOOK HOLDER |
| 47 | | SET SCREW (M4×5C) |
| 48 | | SET SCREW (M5×10 B) |
| 49 | | SET SCREW (M4×8 B) |



| Pos. | Part No. | Description |
|------|---------------|-------------------------------------|
| 1 | | BACK COVER |
| 2 | 270 V61325000 | BOBBIN WINDER THREAD GUIDE COMPLETE |
| 3 | | SET SCREW (9/64×40×7) |
| 4 | | NUT (9/64×40) |
| 5 | 416172501 | THREAD CUTTER |
| 6 | | HOOK COVER SPRING |
| 7 | | HOOK COVER |
| 8 | | ARM TOP COVER THREAD GUIDE PLATE |
| 9 | | ARM TOP COVER PLATE |
| 10 | | SET SCREW (M4×8 A) |
| 11 | | NUT (9/64×40 T=3) |
| 12 | 270 V61273209 | HANDLE |
| 13 | | BOBBIN WINDER STOPPER |
| 14 | | SET SCREW □9/64×40×18□ |
| 15 | | DIAL TENSION COMPLETE |
| 16 | | DIAL TENSION SUPPORTER PLATE COVER |
| 17 | 416171301 | THREAD GUIDE |
| 18 | | THREAD GUIDE SPRING |
| 19 | | CS-RING (CSTW-4.5) |
| 20 | | DIAL TENSION SUPPORTER PLATE |
| 21 | | SPRING PIN (□3×10×0.6) |
| 22 | | DIAL TENSION WAFT PLATE |
| 23 | | E-RING (ETW-4) |
| 24 | 416153601 | DIAL TENSION DISC (1) |
| 25 | 416146301 | DIAL TENSION DISC |
| 26 | 416412001 | DIAL TENSION SPRING REGULATOR |
| 27 | 416155901 | DIAL TENSION SPRING |
| 28 | 416153801 | DIAL TENSION REGULATOR |
| 29 | | DIAL TENSION SPRING PLATE |
| 30 | | DIAL TENSION KNOB |
| 31 | | CAP |
| 32 | | WASHER (WW-5) |
| 33 | | FREE ARM BASE CUSHION RUBBER |
| 34 | | SET SCREW (M4×6 D) |
| 35 | | SET SCREW □M4□ |
| 36 | | SET SCREW (M4×15 B) |
| 37 | | DIAL TENSION GUIDE SPRING TUBE |
| 38 | | ZIGZAG WIDTH DIAL COMPLETE |
| 39 | | ZIGZAG WIDTH CAM |
| 40 | | PLATE |
| 41 | | ZIGZAG WIDTH DIAL PLATE |
| 42 | | SPRING PIN (□3×6×0.6) |
| 43 | | SET SCREW (M4×10B) |
| 44 | | FRONT PLATE |
| 45 | | WASHER(4.2×9×0.5) |
| 46 | | ZIGZAG WIDTH CRANK |
| 47 | | WASHER (4.2*8*0.8) |
| 48 | | SET SCREW (M4×6 B) |
| 49 | | BOBBIN WINDER FRAME COMPLETE |
| 50 | | BOBBIN WINDER FRAME |
| 51 | | ZIGZAG WIDTH CRANK ROD |
| 52 | | FEED REGULATOR GEAR |
| 53 | | FEED REGULATOR DIAL |
| 54 | | WASHER (6.2×12×0.5) |
| 55 | | E-RING (ETW-4) |
| 56 | | FEED REGULATOR SET PLATE |
| 57 | | SET SCREW (M4×5 B) |
| 58 | 416169701 | BOBBIN WINDER CRANK COMPLETE |
| 59 | 416149201 | BOBBIN WINDER RUBBER PULLEY |
| 60 | | BOBBIN WINDER CRANK SPRING |
| 61 | | E-RING (ETW-5) |
| 62 | | FRONT COVER |
| 63 | | FACE PLATE |
| 64 | | SET SCREW (M4×12A) |
| 65 | | HEAT RESISTANT PLATE |
| 66 | | WASHER (6.5×10.5×1.5) |
| 67 | | E-RING □ETW-3□ |
| 68 | | FREE ARM BASE |
| 69 | | FREE ARM FOOT BUSH |
| 70 | | CS-RING (CSTW-5) |
| 71 | | SET SCREW (M3×8.5) |
| 72 | | SEWING TABLE COMPLETE |
| 73 | | SEWING TABLE BODY |
| 74 | | SEWING TABLE BODY COVER |
| 75 | | MOTOR DRIVE BELT COVER |
| 76 | | MOTOR DRIVE BELT COVER FRAME |
| 77 | | SET SCREW □M4×0.7 L25□ |
| 78 | | SELECTOR DIAL |
| 79 | | FRONT PLATE |
| 80 | | ADJUSTING DIAL |
| 81 | 416244101 | SPOOL PIN PLATE (FIXED) |
| 82 | | SET SCREW (M4×12B) |

STANDARD ACCESSORIES



Standard accessories

J

| No. | Part No. | Description |
|-----|-----------|---------------------------------------|
| 1 | 416128401 | ALL PURPOSE FOOT(J) |
| 2 | 416128701 | ZIPPER FOOT (I) |
| 3 | 68003698 | BUTTONHOLE FOOT (D) |
| 4 | 416128501 | BLIND HEM FOOT |
| 5 | 416129101 | QUILTING FOOT(P) |
| 6 | 416127401 | EMBROIDERY FOOT |
| 7 | 416128301 | SATIN STITCH FOOT |
| 8 | 68000177 | SCREWDRIVER |
| 9 | 416127701 | BRUSH □ SEAM RIPPER COMPLETE |
| 10 | 416127301 | FELT CUSHION |
| 11 | 620098196 | Needle #80x10 |
| 12 | 68000175 | BOBBIN |
| 13 | 416127101 | QUILTING BAR SOFTCOVER E-10 - E-20 |