

**PARTS  
LIST**

***NECCHI***

**C12**

N300LBC02  
Sep. 1, 2022

**PLEASE NOTE:**

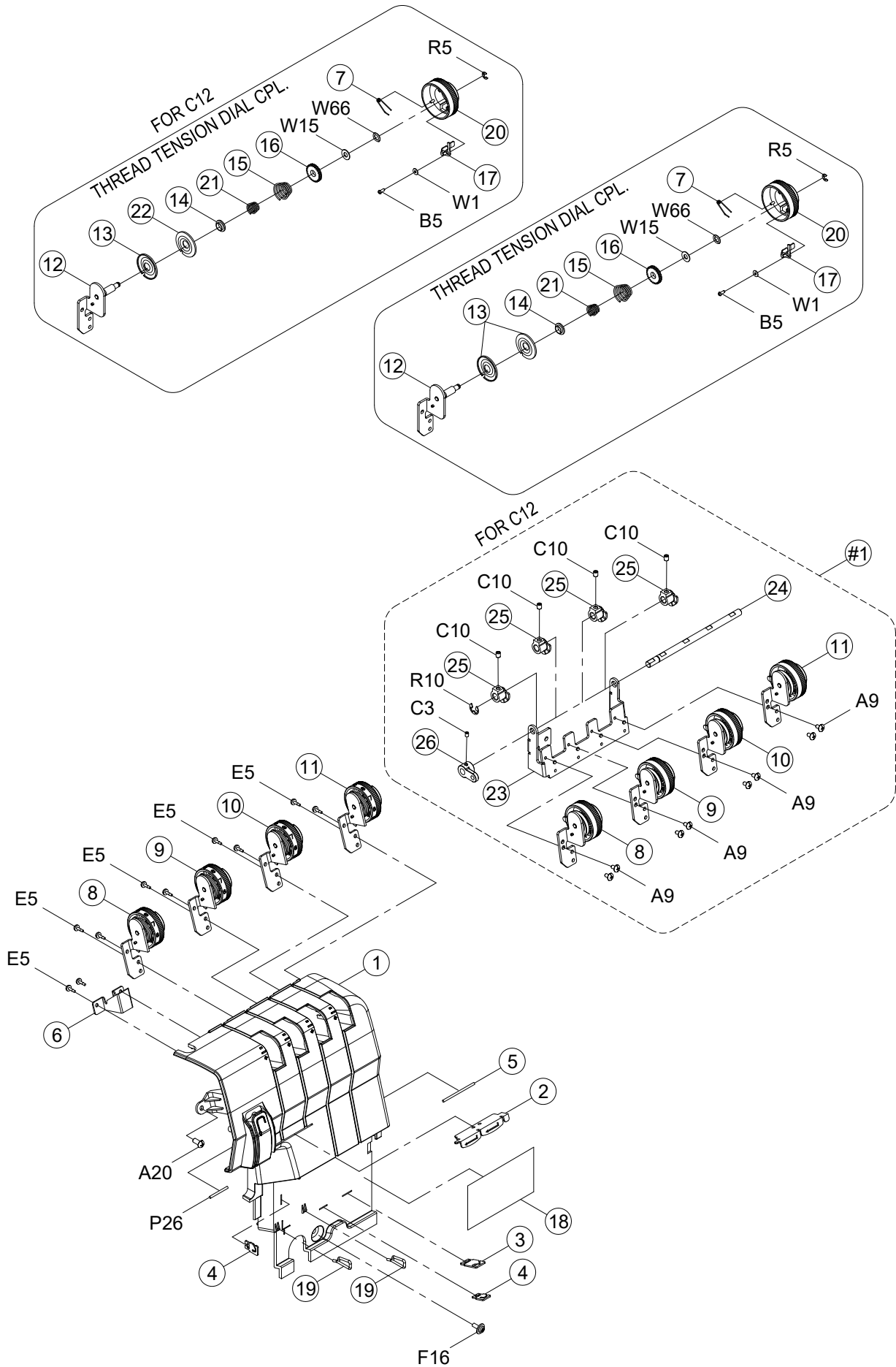
The parts mentioned without number in the parts list are not available.

Take care the parts for the model and the voltage application & spec. you need.

~ LIST OF CONTENTS ~

- A. FRONT COVER & THREAD TENSION COMPONENTS
  - B. BACK COVER, SPOOL STAND BASE COMPONENTS
  - C. SEWING TABLE, BASE COVER, SPOOL STAND BASE COMPONENTS
  - D. FEED MECHANISM
  - E. PATTERN CONTACT MECHANISM
  - F. NEEDLE BAR & PRESSER MECHANISM
  - G. LOWER SHAFT, OVERLOOPER & UNDERLOOPER MECHANISM
  - H. UPPER BLADE & LOWER BLADE MECHANISM
  - I. MOTOR, FOOT CONTROLLER & ELECTRONIC PARTS
  - J. ACCESSORIES
- GENERAL REFERENCE CHART

# A. FRONT COVER & THREAD TENSION COMPONENTS

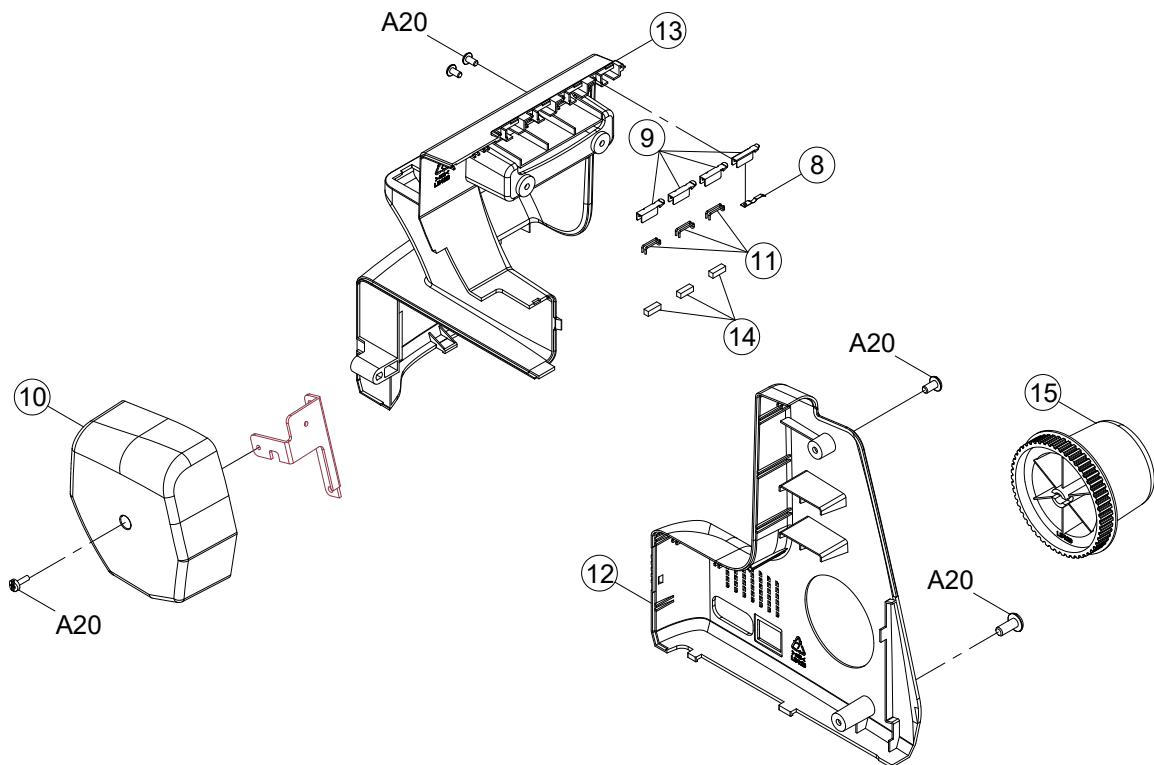
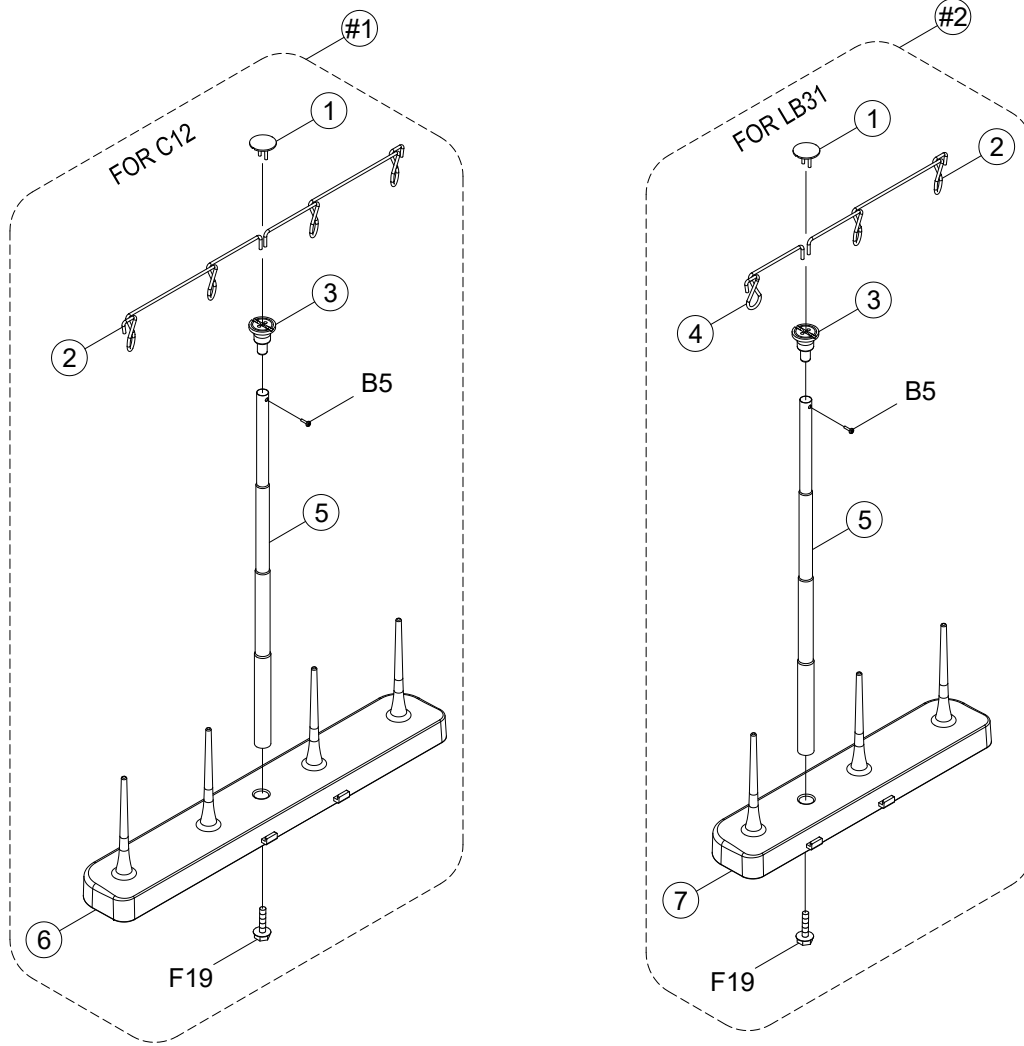


**A. FRONT COVER & THREAD TENSION COMPONENTS**

P  
R  
E  
F  
E  
R  
R  
E  
N  
C  
E  
S

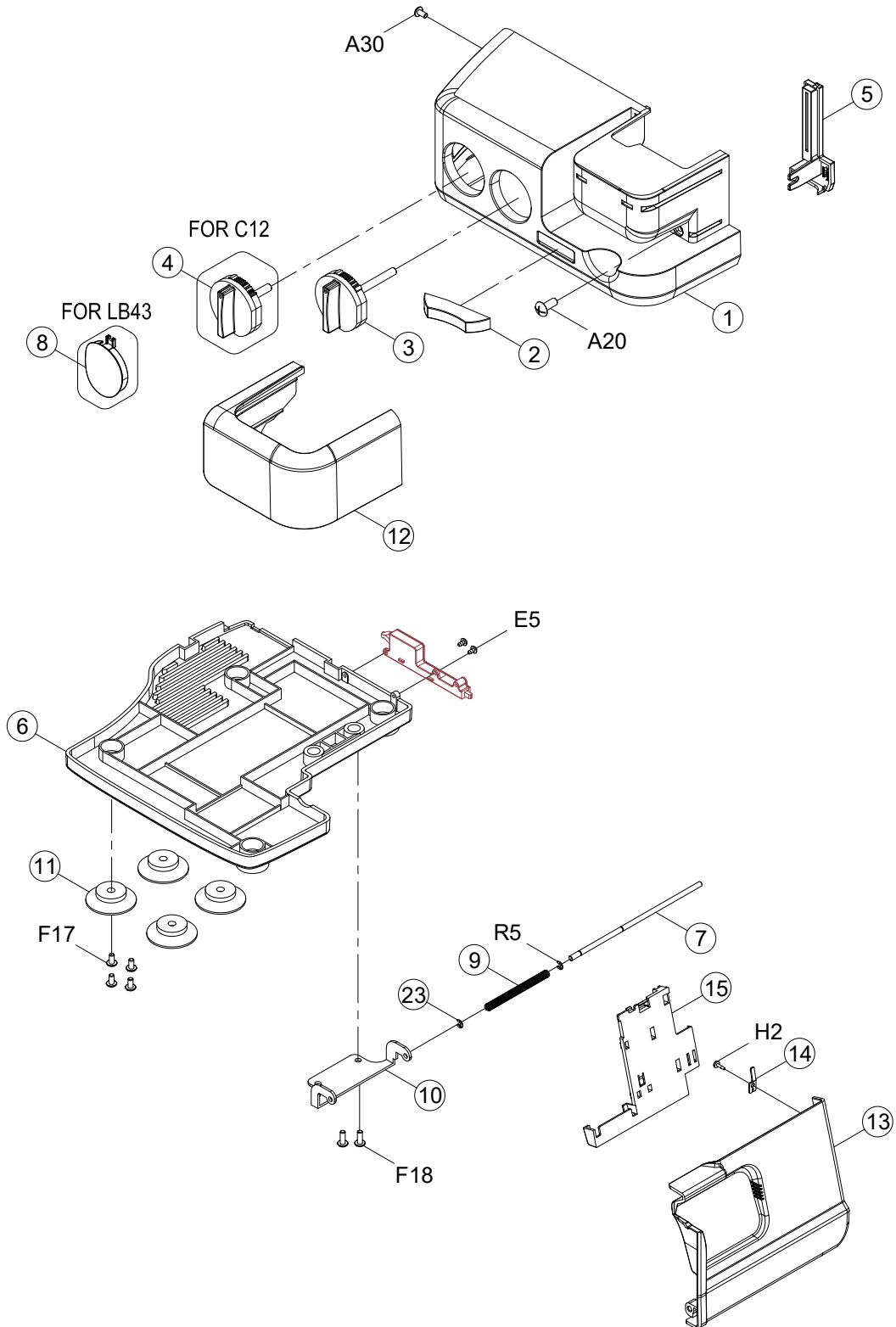
NO.	PART NO.	DESCRIPTION	REMARK
1	LBCC013210	FRONT COVER	
2	LBA1473001	GUIDE PLATE	
3	LBA1953000	FEEDING THREAD GUIDE PLATE	
4	LBA1963000	FEEDING THREAD GUIDE PLATE A	
5	LBA1613000	STAINLESS STEEL SHAFT	
6	LBA0073001	THREAD TAKE-UP GUIDE	
7	LBA1743003	THREAD TENSION CLUTCH SPRING	
8	LBCD015447	THREAD TENSION DIAL CPL. 1	
9	LBDD025447	THREAD TENSION DIAL CPL. 2	
10	LBCD025447	THREAD TENSION DIAL CPL. 3	
11	LBDD045447	THREAD TENSION DIAL CPL. 4	
12	LBA0145000	SUPPORT PLATE CPL.	
13	LBA0163000	THREAD TENSION DISC	
14	LBA0113003	SPRING PLATE	
15	LBA0123003	THREAD TENSION SPRING	
	LBA1783003	THREAD TENSION SPRING B	
	LBA0193003	THREAD TENSION SPRING A	
16	LBA0173003	THREAD TENSION GEAR	
17	LBA2063002	THREAD TENSION RELEASER	
18	028LBB0001	STICKER	
19	LBA1873001	THREAD GUIDE	
20	LBCD013447	THREAD TENSION DIAL (LEFT NEEDLE)	
	LBBD023447	THREAD TENSION DIAL (RIGHT NEEDLE)	
	LBCD023447	THREAD TENSION DIAL (OVERLOOPER_)	
	LBBD043447	THREAD TENSION DIAL (UNDERLOOPER)	
21	LBA0133003	SPRING	
22	LBA2093000	THREAD TENSION DISC	
23	LBA2293008	THREAD TENSION DIAL BRACKET	
24	LBA2123003	TENSION RELEASE SHAFT	
25	LBA2103000	TENSION RELEASE CAM	
26	LBA2173000	TENSION RELEASE ARM	
#1	LBCD014447	THREAD TENSION DIAL CPL. & THREAD LOOSEN CPL.	

# B. BACK COVER, SPOOL STAND BASE COMPONENTS





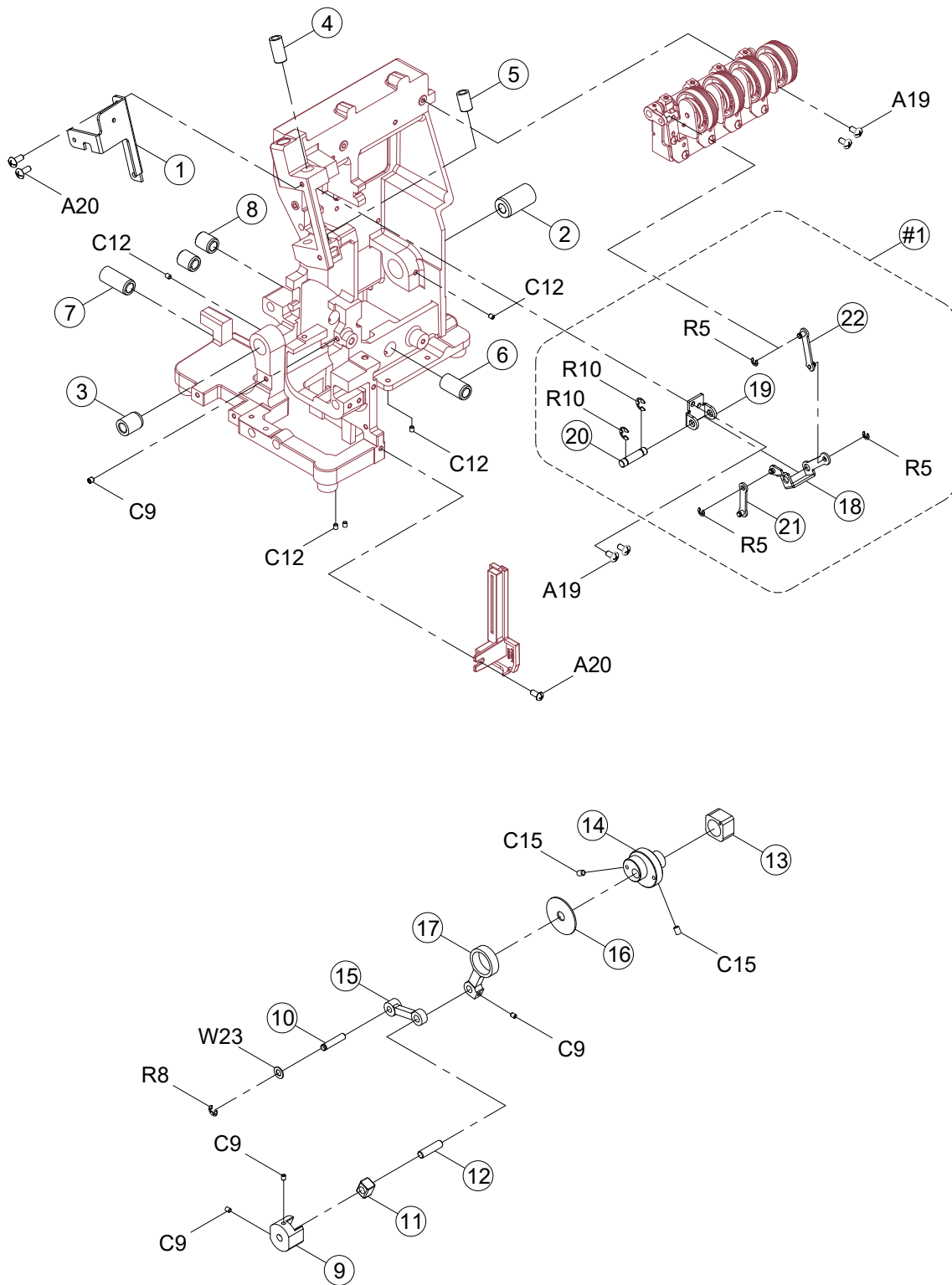
# C. SEWING TABLE, BASE COVER, SPOOL STAND BASE COMPONENTS





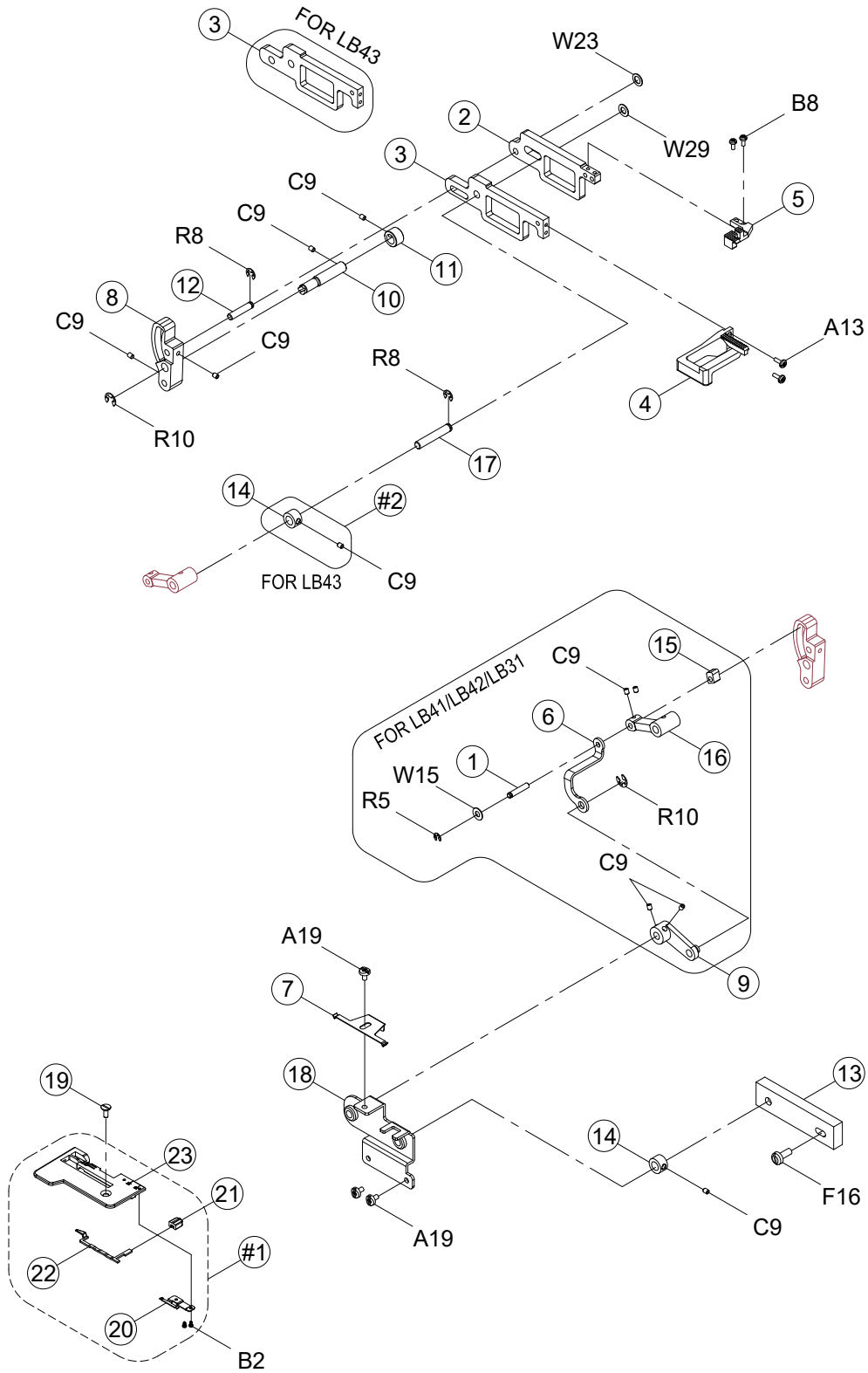


# D. FEED MECHANISM



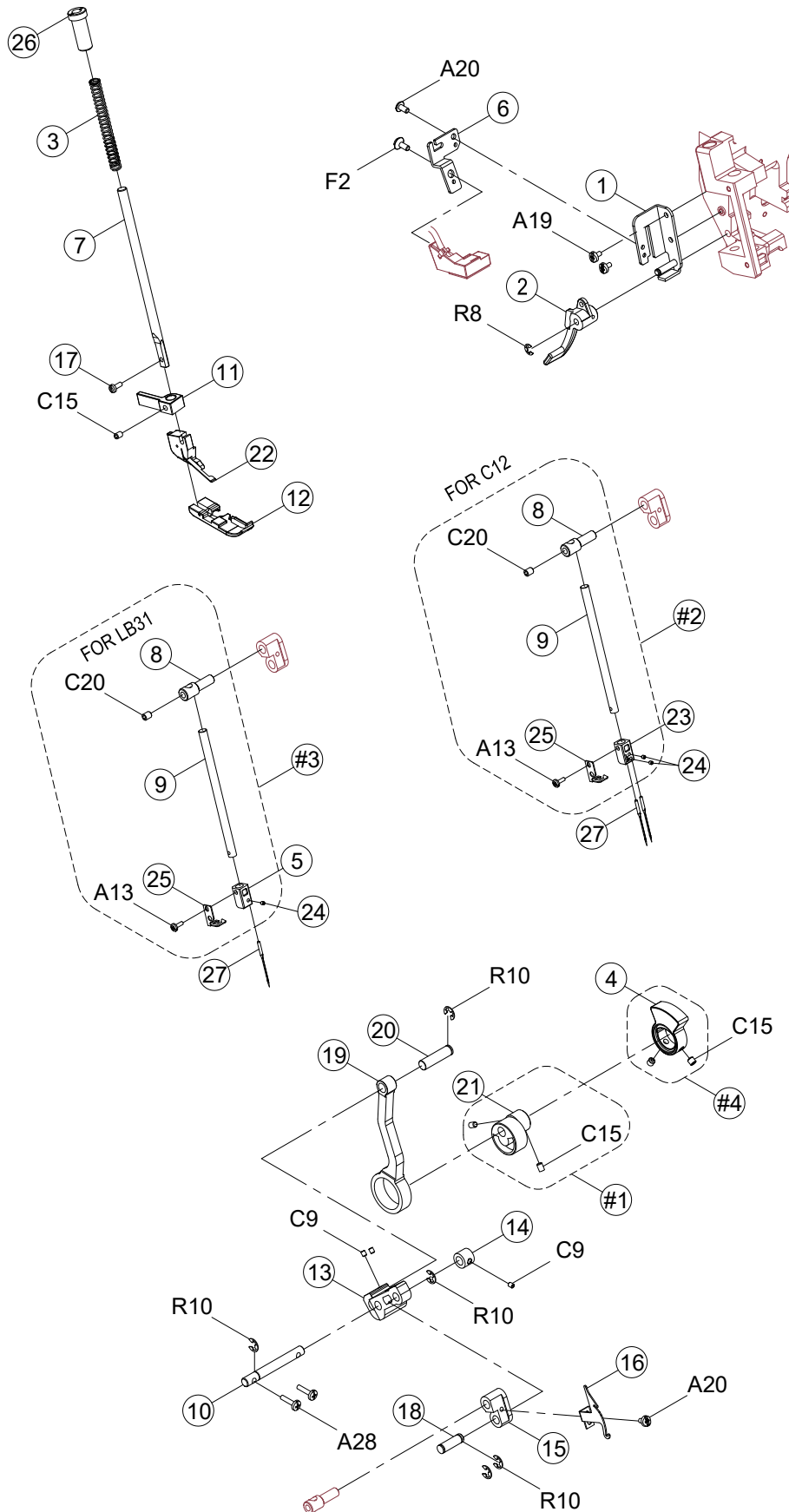


# E. PATTERN CONTACT MECHANISM





# F. NEEDLE BAR & PRESSER MECHANISM

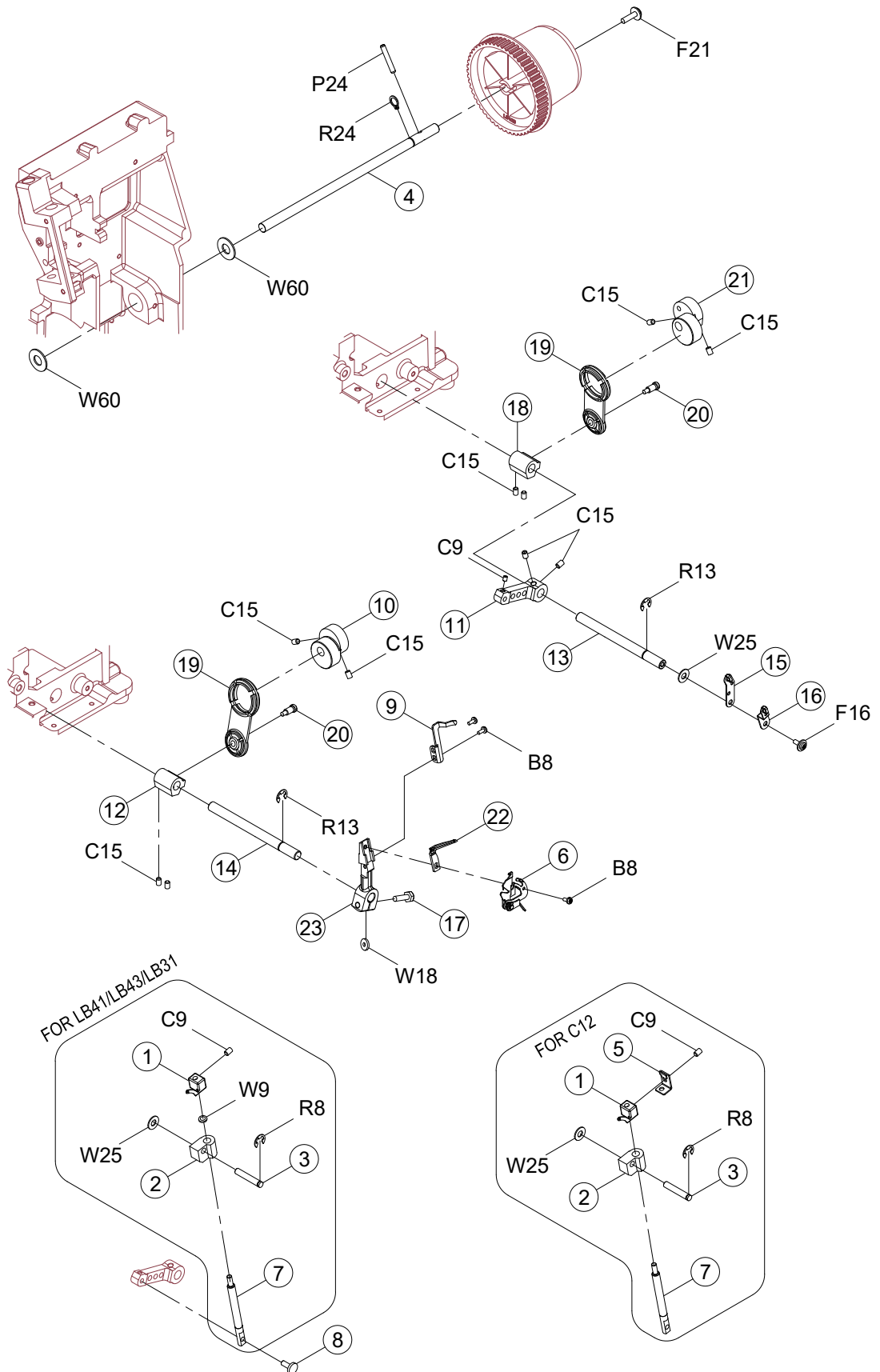


### F. NEEDLE BAR & PRESSER MECHANISM

PRESSER "N"s

NO.	PART NO.	DESCRIPTION	REMARK
1	LBA1985000	PRESSER BAR GUIDE PLATE CPL.	
2	LBA2113000	PRESSER FOOT LIFTER	
3	LBB0093008	PRESSER BAR SPRING	
4	LBA2073000	NEEDLE BAR DRIVING CAM	
5			
6	LBA1583008	LED BRACKET	
7	LBA0563002	PRESSER BAR	
8	LBA0423000	NEEDLE BAR CONNECTING STUD	
9	LBA0433000	NEEDLE BAR	
10	LBA0383000	NEEDLE BAR SHAFT	
11	LBA2013000	PRESSER BAR GUIDE BRACKET	
12	0060A24021	PRESSER FOOT CPL.	
13	LBA0333000	NEEDLE BAR DRIVING CRANK	
14	LBA1733003	NEEDLE BAR SHAFT COLLAR	
15	LBA0343000	NEEDLE BAR CONNECTING CRANK	
16	LBA0373001	THREAD TAKE-UP PLATE	
17	0042100302	PRESSER FOOT SCREW	
18	LBA0353000	NEEDLE BAR CRANK SHAFT B	
19	LBA0313000	NEEDLE BAR DRIVING ROD	
20	LBA0323000	NEEDLE BAR CRANK SHAFT A	
21	LBA0303000	NEEDLE BAR DRIVING CAM	
22	LBB0104000	PRESSER HOLDER CPL.	
23	LBA1603001	NEEDLE CLAMP	
24	LBA0463003	NEEDLE CLAMP SCREW	
25	LBA0453001	NEEDLE BAR THREAD GUIDE	
26	LBBZ103210	PRESSER ADJUSTING SCREW	
27	006L1A0015	NEEDLE	
#1	LBA0305000	NEEDLE BAR DRIVING CAM CPL.	
#2	LBA0444000	NEEDLE CLAMP CPL.	
#3			
#4	LBA2075000	NEEDLE BAR DRIVING CAM CPL.	

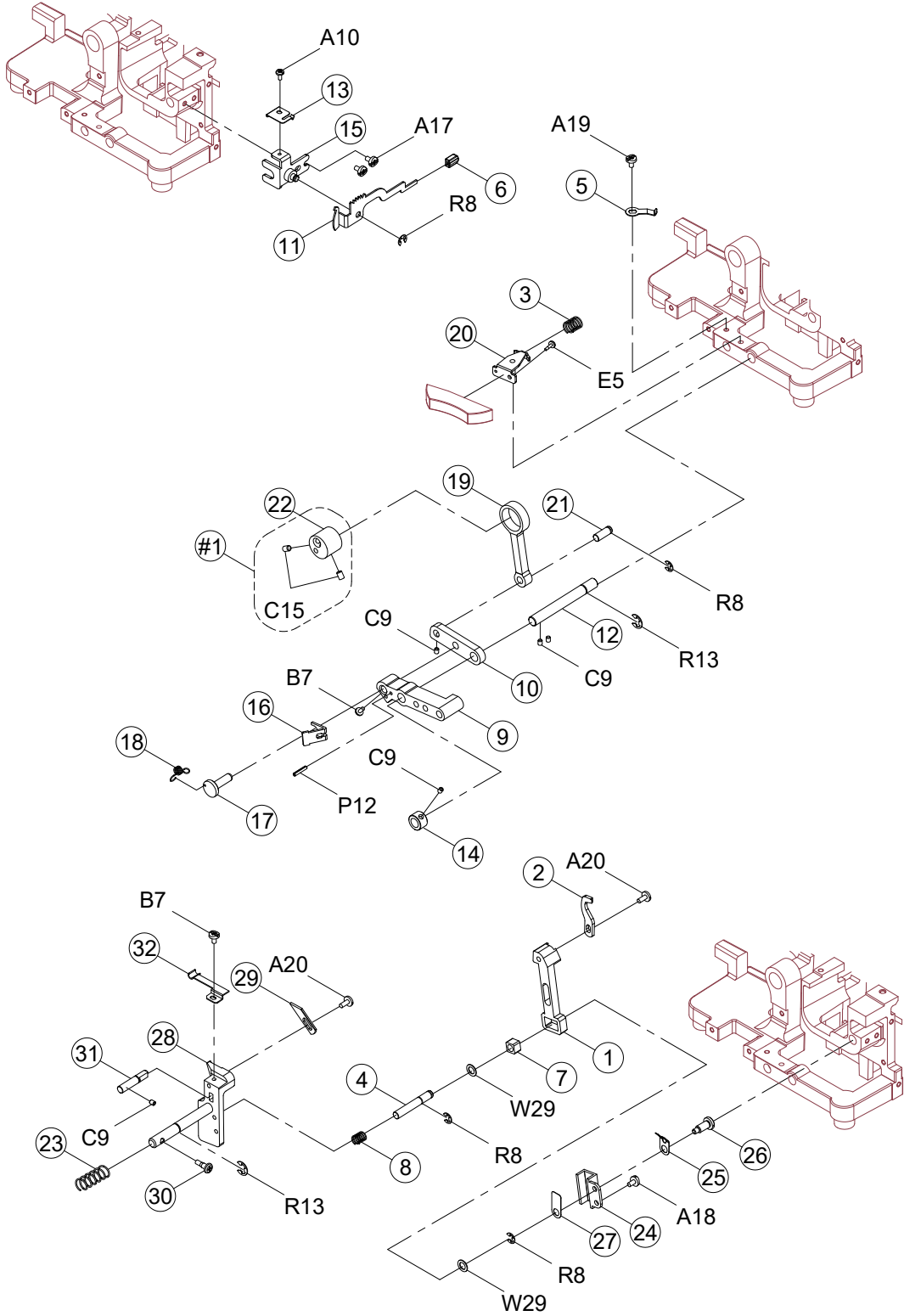
# G. LOWER SHAFT, OVERLOOPER & UNDERLOOPER MECHANISM







# H. UPPER BLADE & LOWER BLADE MECHANISM

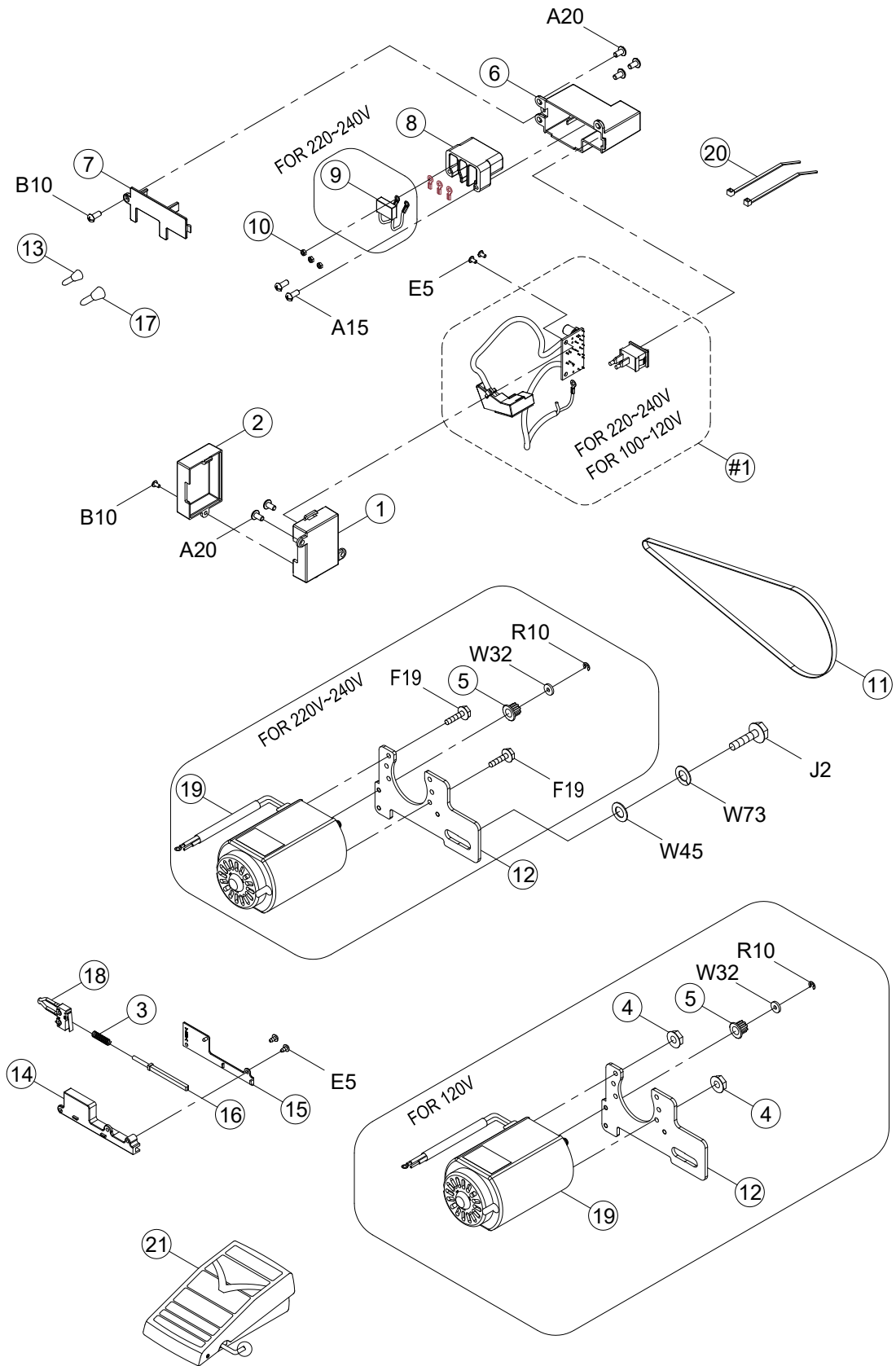


### H. UPPER BLADE & LOWER BLADE MECHANISM

NO.	PART NO.	DESCRIPTION	REMARK
1	LBA0973000	UPPER BLADE HOLDER	
2	LBC0023000	UPPER BLADE	
3	LBA1263003	RELEASE SPRING	
4	LBA1003000	UPPER BLADE ROD SHAFT	
5	LBA1163003	UPPER BLADE LEVER PLATE	
6	LBA0503210	STITCH LEVER KNOB	
7	LBA1013000	UPPER BLADE BLOCK	
8	LBA1973003	UPPER BLADE HOLDER SPRING	
9	LBA0913000	UPPER BLADE FRAME	
10	LBA0993000	UPPER BLADE ROD B	
11	LBA1763003	LOWER BLADE CONTROL LEVER	
12	LBA0943000	UPPER BLADE CRANK SHAFT	
13	LBA1123003	LOWER BLADE CONTROL SET PLATE	
14	LBA0643003	FEED REGULATING SHAFT COLLAR	
15	LBA1185000	LOWER BLADE CONTROL SUPPORTER CPL.	
16	LBA1433008	UPPER BLADE CANCEL PLATE	
17	LBA1393000	UPPER BLADE CONNECT SHAFT	
18	LBA1443003	RELEASE PLATE SPRING	
19	LBA0893000	UPPER BLADE ROD A	
20	LBA1155000	UPPER BLADE CANCEL PLATE CPL.	
21	LBA0903000	UPPER BLADE LINK SHAFT	
22	LBA0883000	UPPER BLADE ECCENTRIC WHEEL	
23	LBA1173003	LOWER BLADE SPRING	
24	LBA1143001	UPPER BLADE HOLDER GUIDE	
25	LBA1413003	UPPER BLADE PLATE SPRING B	
26	LBA1423003	SCREW	
27	LBA1403003	UPPER BLADE PLATE SPRING A	
28	LBA2085000	LOWER BLADE HOLDER CPL.	
29	LBC0033000	LOWER BLADE	
30	LBA1213003	SCREW	
31	LBA1133000	LOWER BLADE GUIDE SHAFT	
32	LBA1383003	LOWER BLADE NEEDLE GUARD	
#1	LBA0885000	UPPER BLADE ECCENTRIC WHEEL CPL.	

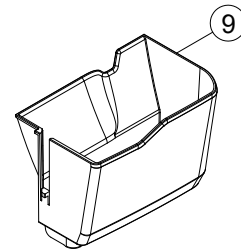
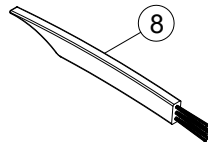
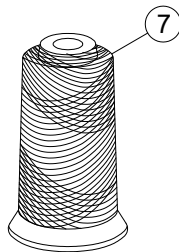
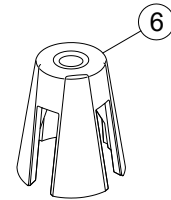
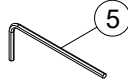
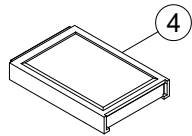
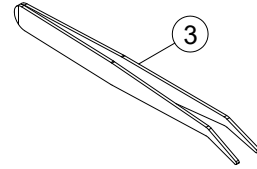
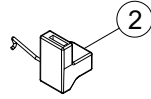
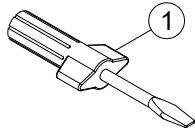
P R E F I S S O N S

# I. MOTOR, FOOT CONTROLLER & ELECTRONIC PARTS








# J. ACCESSORIES





# GENERAL REFERENCE CHART 1

NO.	PART NO.	DESCRIPTION	NO.	PART NO.	DESCRIPTION
<b>A</b>	PAN HEAD SCREWS (L)		B12	004230126	M3*0.5*L8
			B13	004230286	M3*0.5*L8
A1	0042200046	M2*0.4*L3.5	B14	004230336	M3*0.5*L10
A2	004225106	M2.5*0.45*L3	B15	004230316	M3*0.5*L10
A3	004225068	M2.5*0.45*L3	B16	0042300056	M3*0.5*L12
A4	0042300508	M3*0.5*L3.5	B17	004230326	M3*0.5*L12
A5	0042300066	M3*0.5*L4	B18	0042300076	M3*0.5*L12
A6	0042300062	M3*0.5*L4	B19	0042300706	M3*0.5*L12.7
A7	004230706	M3*0.5*L5	B20	004230646	M3*0.5*L16.7
A8	004230702	M3*0.5*L5	B21	0042300326	M3*0.5*L22
A9	004230016	M3*0.5*L6	B22	004230296	M3*0.5*L22
A10	004230012	M3*0.5*L6	B23	004230356	M3*0.5*L25
A11	004230211	M3*0.5*L8	B24	004230656	M3*1.06*L16
A12	0042300126	M3*0.5*L8	B25	0042400012	M4*0.7*L4
A13	0042300122	M3*0.5*L8	B26	004240676	M4*0.7*L5
A14	004230606	M3*0.5*L10	B27	004240056	M4*0.7*L6
A15	004230556	M3*0.5*L18	B28	004240016	M4*0.7*L8
A16	004235016	M3.5*0.6*L8	B29	004240066	M4*0.7*L8
A17	004241036	M4*0.7*L6	B30	004240306	M4*0.7*L10
A18	0042401102	M4*0.7*L6	B31	004240046	M4*0.7*L10
A19	004240106	M4*0.7*L8	B32	004240526	M4*0.7*L12
A20	004240102	M4*0.7*L8	B33	004240136	M4*0.7*L12
A21	004241046	M4*0.7*L10	B34	004240286	M4*0.7*L13
A22	004240782	M4*0.7*L11.5	B35	004240186	M4*0.7*L15
A23	004241061	M4*0.7*L12	B36	004240146	M4*0.7*L15
A24	004241056	M4*0.7*L12	B37	004240746	M4*0.7*L18
A25	004240896	M4*0.7*L15	B38	004240086	M4*0.7*L20
A26	004240751	M4*0.7*L15	B39	0042415208	M4*0.7*L22
A27	004240466	M4*0.7*L15	B40	004240376	M4*0.7*L25
A28	0042401002	M4*0.7*L15	B41	004250158	M5*0.8*L10
A29	004241386	M4*0.7*L20	B42	004250146	M5*0.8*L12
A30	004241102	M4*0.7*L25	B43	004106162	SM9/64-40*L16
A31	004106202	SM9/64-40*L7	B44	004106371	SM9/64-40*L18
			B45	004106378	SM9/64-40*L18
			B46	004107063	SM11/64-40*L12
			B47	004240652	M4*0.7*L35
<b>B</b>	PAN HEAD SCREWS (S)		<b>C</b> SET SCREWS 		
B1	004216022	M1.6*0.35*L3	C1	004230433	M3*0.5*L3
B2	0042200302	M2*0.4*L2.5	C2	004230203	M3*0.5*L4
B3	004220046	M2*0.4*L4	C3	004230483	M3*0.5*L4
B4	004220112	M2*0.4*L7.5	C4	004230573	M3*0.5*L6
B5	0042200102	M2*0.63*L6	C5	004230443	M3*0.5*L15
B6	004225096	M2.5*0.45*L5	C6	004240633	M4*0.7*L12
B7	004230056	M3*0.5*L5	C7	0042415603	M4*0.7*L16
B8	004230052	M3*0.5*L5	C8	0042415403	M4*0.7*L16
B9	004230086	M3*0.5*L6	C9	004240503	M4*0.7*L4
B10	004230082	M3*0.5*L6	C10	004240033	M4*0.7*L5
B11	004230872	M3*0.5*L8			


## GENERAL REFERENCE CHART 2

NO.	PART NO.	DESCRIPTION	NO.	PART NO.	DESCRIPTION
C11	0042415103	M4*0.7*L6	<b>F</b>	WASHER HEAD SCREWS	
C12	004240223	M4*0.7*L6			
C13	004240943	M4*0.7*L8	F1	004231016	M3*0.5*L5
C14	004241093	M4*0.7*L9	F2	0042300016	M3*0.5*L5
C15	004250203	M5*0.8*L5	F3	004230816	M3*0.5*L6
C16	004250193	M5*0.8*L6	F4	004230786	M3*0.5*L7
C17	004250363	M5*0.8*L8	F5	004230796	M3*0.5*L8
C18	0042500473	M5*0.8*L8	F6	0042300116	M3*0.5*L10
C19	004260023	M6*1.0*L5	F7	004230746	M3*0.5*L12
C20	0042600103	M6*1.0*L6	F8	004230776	M3*0.5*L12
C21	004111043	SM1/4-40*L3.3	F9	004240586	M4*0.7*L8
C22	004106053	SM9/64-40*L11	F10	0042400286	M4*0.7*L10
C23	004107293	SM11/64-40*L4	F11	004240826	M4*0.7*L12
			F12	004240546	M4*0.7*L12
			F13	004240545	M4*0.7*L12
			F14	004240806	M4*0.7*L16
			F15	0042500016	M5*0.8*L10
			F16	004240582	M4*0.7*L8
<b>D</b>	<b>FLAT HEAD SCREWS</b>		F17	0042400802	M4*0.7*L12
			F18	0042414602	M4*0.7*L25
D1	004220203	M2*0.4*L4	F19	0042414508	M4*0.7*L11
D2	004230146	M3*0.5*L6	F20	004250426	M5*0.8*L10
D3	004230666	M3*0.5*L6	F21	0042500456	M5*0.8*L15
D4	004240176	M4*0.7*L6	F22	0042500102	M5*0.8*L15
D5	004103043	SM3/32-56*L3.7	F23	0042401486	M4*0.7*L15
			F24	0042300106	M3*0.5*L8
<b>E</b>	<b>TRUSS HEAD SCREWS</b>		<b>G</b>	<b>SEMS SCREWS</b>	
			G1	0042500096	M5*0.8*L12
E1	004220056	M2*0.4*L2.5	G2	0042504708	M5*0.8*L12
E2	0042200016	M2*0.4*L3			
E3	0042200026	M2*0.4*L3.5			
E4	0042300026	M3*0.5*L6			
E5	004230216	M3*0.5*L8.5			
E6	004230605	M3*0.5*L10	<b>H</b>	<b>CHEESE HEAD SCREWS</b>	
E7	004230536	M3*0.5*L10			
E8	004230066	M3*0.5*L12	H1	004230846	M3*0.5*L8
E9	004230596	M3*0.5*L16	H2	004230842	M3*0.5*L8
E10	004240516	M4*0.7*L6	H3	0042202202	M2.5*0.45*L3.6
E11	004240166	M4*0.7*L8			
E12	004240626	M4*0.7*L10			
E13	004240396	M4*0.7*L10	<b>J</b>	<b>OTHER SCREWS</b>	
E14	004240541	M4*0.7*L20			
E15	004250346	M5*0.8*L10	J1	004111033	SM1/4-40*L4
E16	004250086	M5*0.8*L12	J2	0042800106	M8*1.25*L16
E17	004260056	M6*1.0*L10	J3	0042415308	M4*0.7*L6.5
E18	004220016	M2*0.4*L4			





# GENERAL REFERENCE CHART 4

NO.	PART NO.	DESCRIPTION	NO.	PART NO.	DESCRIPTION
<b>W</b> WASHER 			W51	004400180	φ5.7*φ10.5*0.5
			W52	0044000200	φ6.2*φ9.6*0.25
W1	0043001306	φ2.2*φ6*0.5	W53	0044000840	φ6.2*φ9.6*0.5
W2	004301068	φ3.2*φ6*0.5	W54	0044000020	φ6.2*φ12*0.25
W3	004300676	φ3.2*φ8*0.8	W55	004400260	φ6.2*φ14*0.13
W4	004300976	φ3.2*φ10.5*0.5	W56	004400190	φ6.2*φ14*0.5
W5	0043003102	φ3.6*φ8*1	W57	004400230	φ6.7*φ11.8*0.25
W6	004300096	φ4*φ8*0.5	W58	004400570	φ6.7*φ11.8*0.5
W7	0043000016	φ4*φ10*0.4	W59	004400800	φ7.6*φ12*0.13
W8	004301078	φ4.1*φ8*0.5	W60	004400410	φ8.2*φ12*0.25
W9	004300926	φ4.1*φ8*1	W61	004400830	φ8.2*φ12*0.5
W10	004300136	φ4.2*φ8*0.8	W62	004400210	φ8.2*φ16*0.5
W11	004301146	φ4.2*φ8*1	W63	004400080	φ10.2*φ15*0.5
W12	004300076	φ4.2*φ9*0.5	W64	0044000300	φ12.2*φ18*0.5
W13	0043420016	φ4.2*φ10*0.3	W65	0045520010	φ5.3*φ9.5*1*0.15
W14	004300986	φ4.2*φ10*0.5	W66	004500360	φ5.4*φ9*1.5*0.3
W15	0043000503	φ4.5*φ10*0.6	W67	004500670	φ6.4*φ11*1*0.15
W16	004300202	φ4.5*φ10*0.8	W68	004500600	φ6.5*φ10.5*1.5*0.15
W17	0043000208	φ5.1*φ9.5*0.4	W69	004500500	φ10.5*φ14.5*2*0.3
W18	0043002503	φ5.2*φ8.5*0.8	W70	004900063	φ6.2*φ12*2.0*0.15
W19	004300713	φ5.2*φ10*0.2	W71	004600026	φ4.2*φ7.2*1.2
W20	004300643	φ5.2*φ10*0.5	W72	004600296	φ5.1*φ9.2*1.3
W21	004300733	φ5.2*φ12*1	W73	0046000106	φ8.2*φ15.4*2
W22	004300586	φ5.2*φ16*1.0	W74	004300738	φ5.2*φ12*1
W23	0043000603	φ5.3*φ10*0.6	W75	0044000050	φ4.2*φ8*0.5
W24	004300306	φ5.4*φ10*0.9			
W25	0043000803	φ5.5*φ12*0.8			
W26	004300633	φ6.2*φ10.5*1			
W27	004300233	φ6.2*φ11*0.5			
W28	004300186	φ6.2*φ12*0.5			
W29	0043000703	φ6.2*φ12*1.6			
W30	004300493	φ6.2*φ14*3			
W31	004300156	φ6.4*φ13*1			
W32	0043001403	φ6.4*φ17*0.8			
W33	004300946	φ6.5*φ11*0.4			
W34	004300043	φ6.5*φ13*1			
W35	004300813	φ6.6*φ14*1			
W36	004300333	φ6.7*φ12*0.5			
W37	004300123	φ6.7*φ12*1			
W38	004300113	φ6.7*φ14*0.8			
W39	0043002908	φ7.2*φ12*0.4			
W40	004300843	φ7.2*φ12*1.0			
W41	004300823	φ8.1*φ16*0.2			
W42	004300936	φ8.2*φ12*0.5			
W43	004300863	φ8.2*φ14*0.5			
W44	004300226	φ8.2*φ16*1.0			
W45	0043001106	φ8.5*φ16*1.6			
W46	004300853	φ10.2*φ15*0.5			
W47	0043002703	φ10.2*φ20*1.0			
W48	0041000100	φ14*φ8.1*0.25			
W49	0044000400	φ3.18*φ5.5*0.5			
W50	004400450	φ5.5*φ12*0.25			