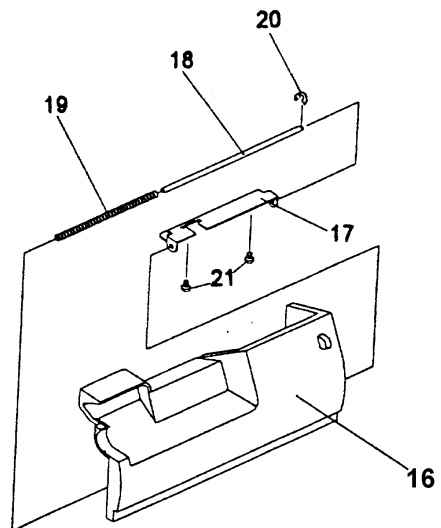
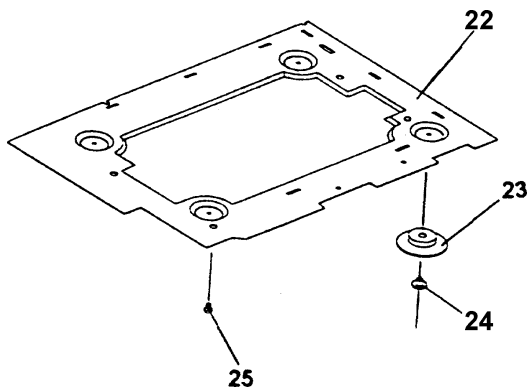
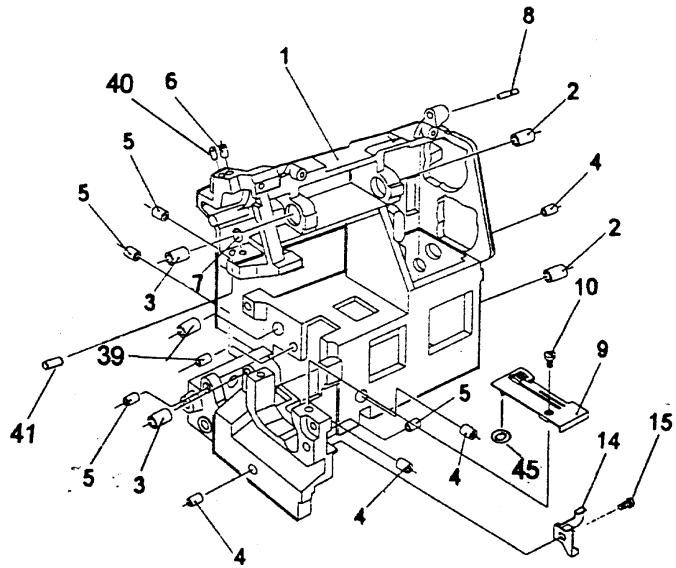
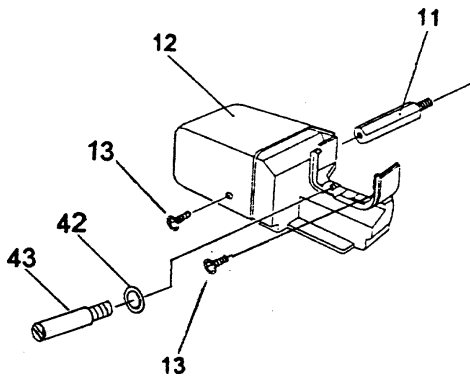
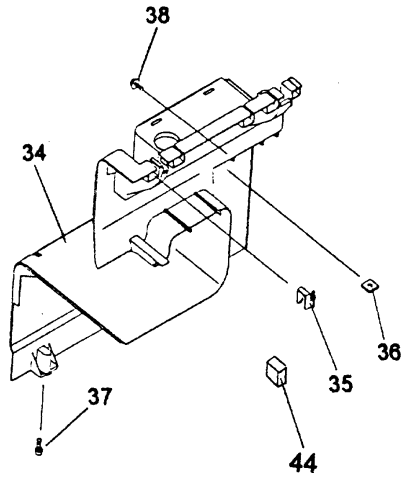
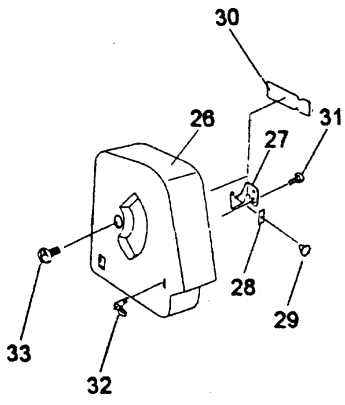
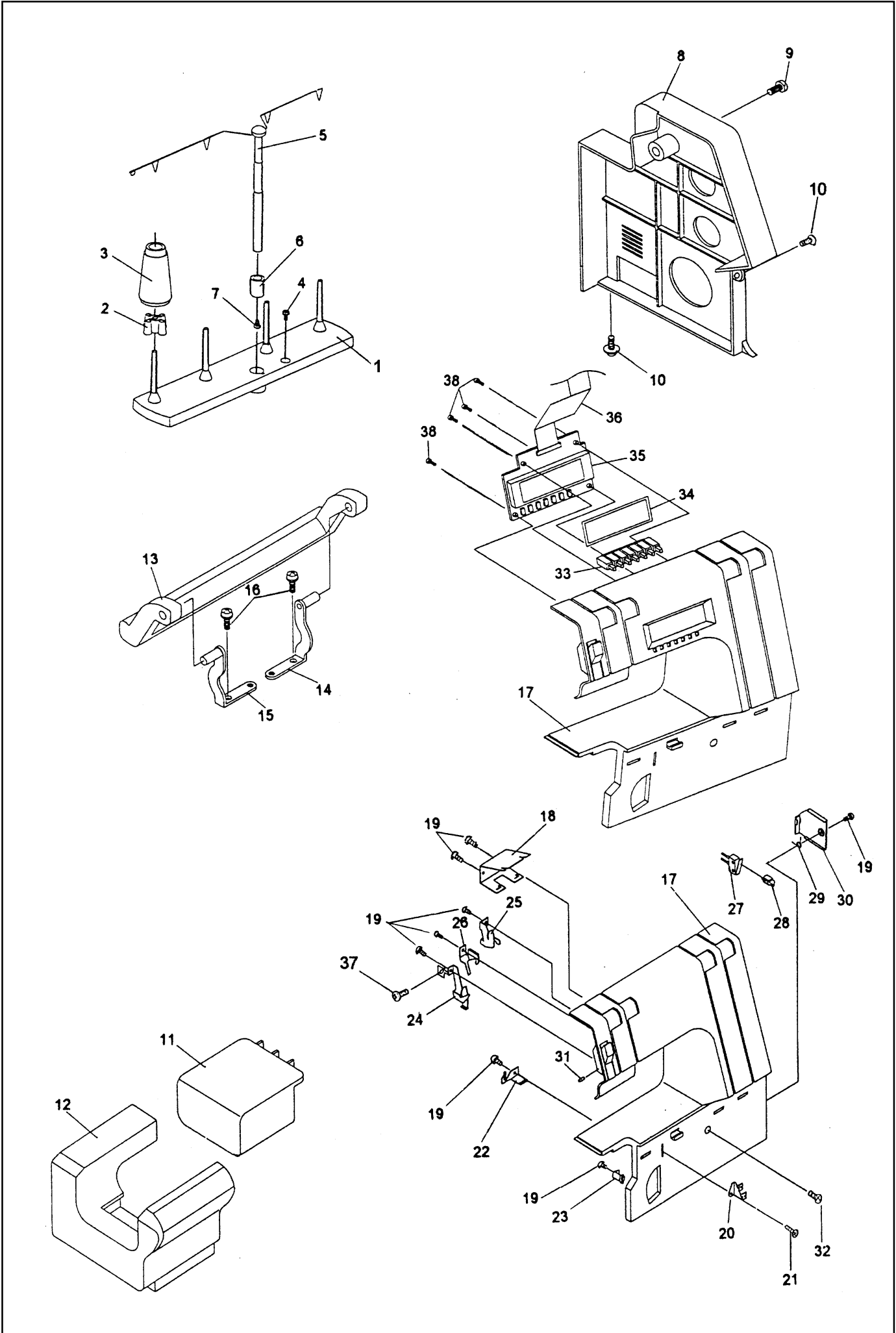


# Spare part list

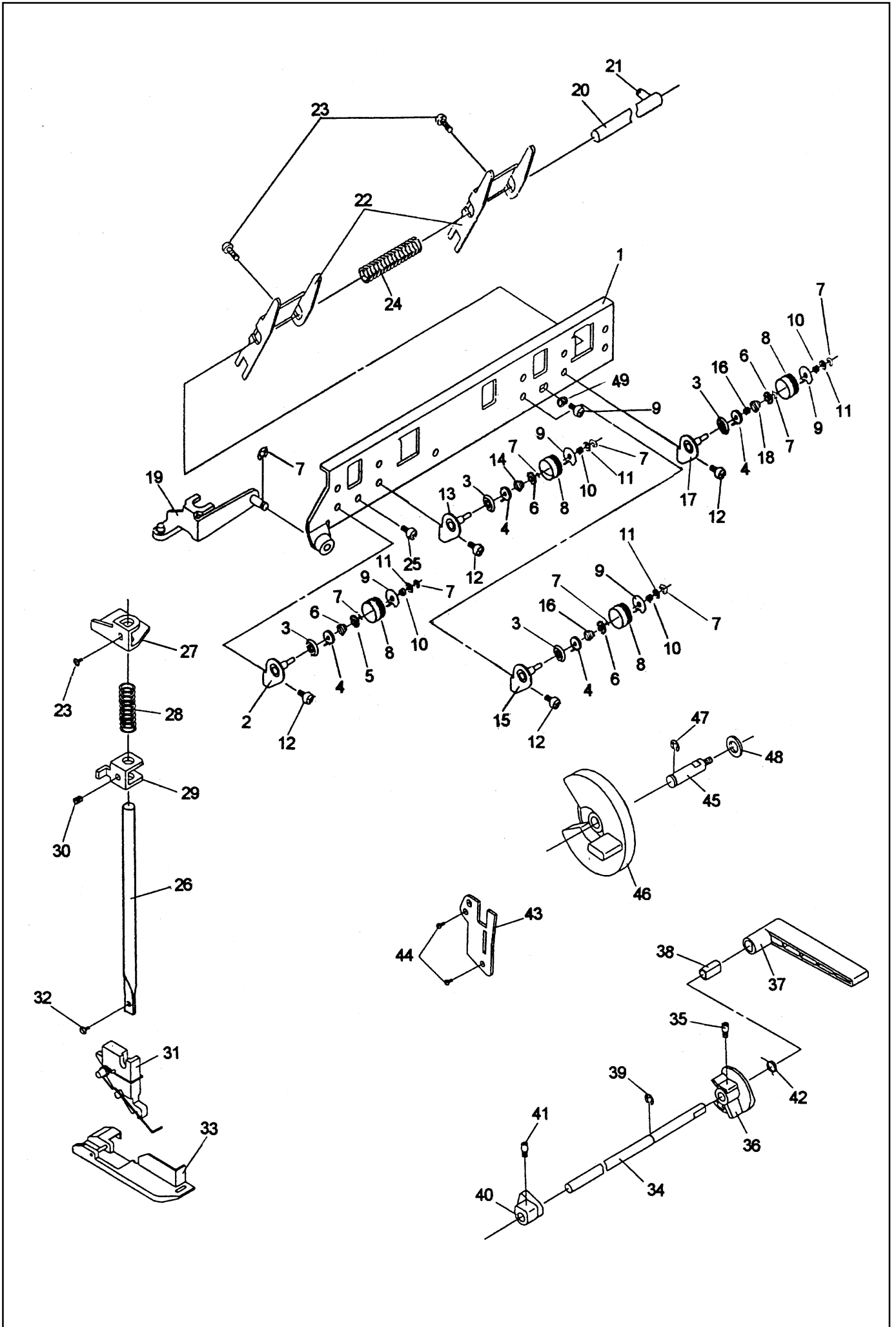
## Huskylock 905 - 910



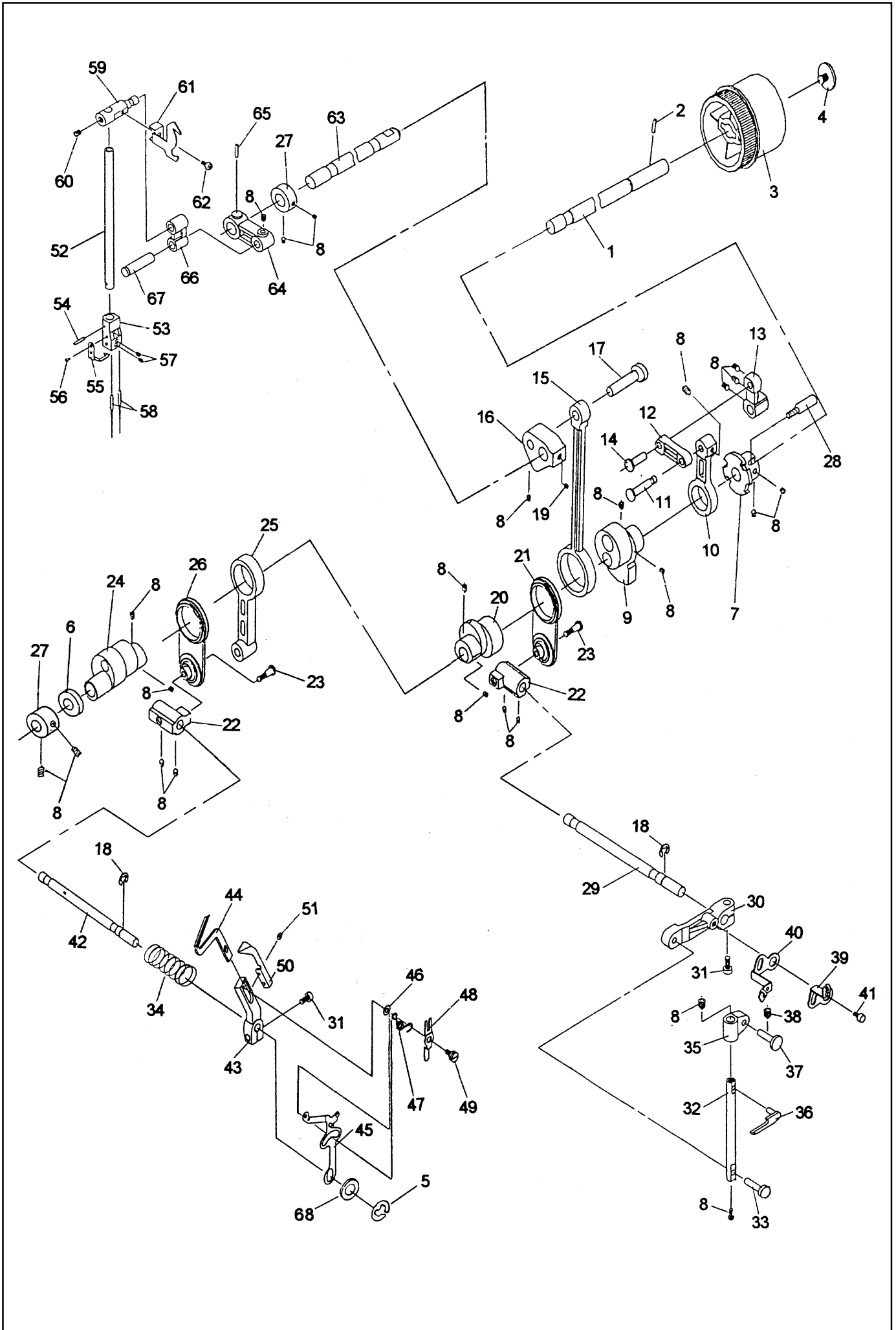
INDEX NO.	REF. NO.	PART NAME
1	2141001-112	Arm
2	2141003-542	Upper shaft bushing -R -
	2141003-542	Lower shaft bushing -R -
3	2141003-543	Upper shaft bushing -F -
	2141003-543	Lower shaft bushing -F -
4	2141004-221	Cutter link bushing (1)
5	2141004-222	Cutter link bushing (2)
6	2141002-271	Needle bar bushing (1)
7	2141002-272	Needle bar bushing (2)
8	50405	Spring pin
9	2141001-501	Needle plate
10	10811	Set screw for needle plate
1 1	2141001-145	Side cover assembly foot
12	2141001-162-651	Side cover
13	11924	Set screw for side cover
14	2141002-475	Stopper
15	10941	Set screw for stopper
16	2141011-177-651	Front cover -Husqvarna Viking 905
	2141021-177-651	Front cover - Husqvarna 905
	2143011-177-651	Front cover - Husqvarna Viking 910
	2143021-177-651	Front cover - Husqvarna 910
17	2141001-178	Front cover hinge
18	2141001-125	Front cover shaft
19	2141001-126	Front cover spring
20	40110	E-Ring
21	11907	Set screw for front cover hinge
22	2141001-161	Base
23	2141001-153	Swallow rubber foot
24	2141001-122	Set pin for swallow rubber foot
25	10946	Set screw
26	2141011-321-651	Face cover - 905
	2143011-321-651	Face cover - 910
27	1840002-661	Thread cutter plate
28	1840002-662	Thread cutter
29	11920	Set screw for thread cutter
30	2141001-323	Face cover seat
31	11203	Set screw
32	2141002-673	Assistant thread guide
33	11913	Set screw for face cover
34	2141001-175-651	Rear cover
35	2141002-111	Thread guide -A-
36	30301	Square nut
37	11203	Tapping screw
38	10986	Set screw for rear cover
39	2141004-455	Differential feed shaft bushing
40	2141002-585	Presser bar bushing (1)
41	2141002-586	Presser bar bushing (2)
42	60159	Washer
43	2141001-185	Assistant plate shaft
44	1250004-153	Felter
45	90301	Washer



INDEX	REF. NO.	PART NAME
1	2141002-180-651	Spool pin stand
2	1250002-197	Thread holder
3	2141012-199	Spool - yellow
	2141022-199	Spool - red
	2141032-199	Spool - green
	2141042-199	Spool - blue
4	11207	Set screw for spool pin stand
5	2141002-190-651	Telescopic thread stand
6	2141002-196-651	Telescopic thread stand collar
7	10990	Set screw
8	2141011-395-651	Motor cover
9	11936	Set screw for motor cover
10	11203	Set screw for motor cover
11	2141001-163-651	Free-Arm cover
12	2141001-160-651	Cover for flat bed
13	2141001-373-651	Handle
14	2141001-376	Handle hinge - R -
15	2141001-377	Handle hinge - L -
16	10955	Set screw for handle hinge
17	2141011-174-651	Front panel -905
	2143011-174-651	Front panel - 910
18	2141012-112	Thread guide (B)
19	10985	Tapping screw
20	2141012-113	Thread guide (C)
21	10408	Tapping screw
22	2141012-284	Upper looper thread guide
23	2141012-285	Lower looper thread guide
24	2141002-281	Take-up lever thread guide -A-
25	2141002-282	Take-up lever thread guide -B-
26	2141002-280	Take-up lever thread guide -C-
27	2141008-180	Front cover switch Ass'y
28	2141008-883-651	Switch button
29	2141008-882	Switch button spring
30	2141008-827	Switch cover
31	50302	Parallel pin
32	11924	Set screw
33	2143008-215	LCD operating button- 910
34	2143008-216	LCD protecting plate -910
35	2143008-710	LCD indicating plate - 910
36	2143008-213	Printing electric board- 910
37	11934	Screw
38	10949	Tapping screw- 910

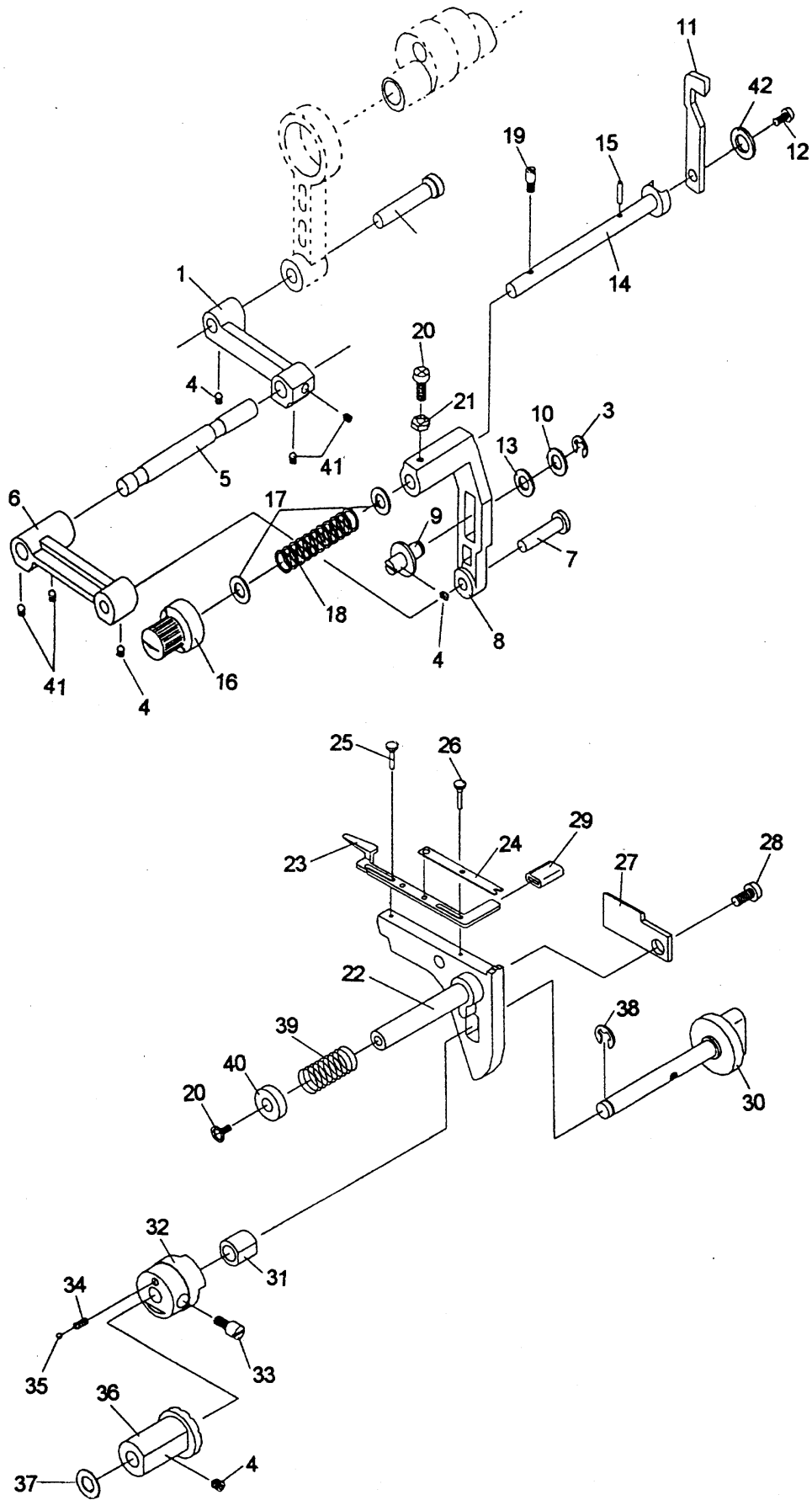


INDEX	REF. NO.	PART NAME
1	2141002-220	Tension holding plate
2	2141002-102	Tension bracket
3	2141002-131	Tension Disc -R-
4	2141002-156	Tension Disc bracket
5	1257002-138	Tension spring -A-
6	2141002-126	Tension nut
7	40110	E Ring
8	2141012-153-651	Tension dial (1) - Yellow
	2141022-153-651	Tension dial (2) - Red
	2141032-153-651	Tension dial (3) - Green
	2141042-153-651	Tension dial (4) - Blue
9	2141002-224	Tension Disc regulating plate
10	1650002-158	Tension Dial spring
11	60159	Washer
12	11907	Set screw
13	2141012-102	Tension bracket
14	1257002-138	Tension spring -A-
15	2141022-102	Tension bracket
16	1257012-138	Tension spring -B-
17	2141032-102	Tension bracket
18	1257022-138	Tension spring -C-
19	2141002-580	Pressure adjusting plate
20	2141002-242	Thread release shaft
21	2141002-243	Drive pin
22	2141002-396	Thread release plate -B-
23	11934	Set screw
24	1840012-138	Thread release stud spring
25	10964	Set screw
26	2141002-361	Presser bar
27	2141002-237	Driver plate
28	2141002-362	Presser bar spring
29	2141002-376	Presser bar bracket
30	10125	Set screw for bracket
31	2141002-520	Presser foot holder
32	11921	Set screw for presser foot holder
33	2141002-510	Presserfoot
34	2141002-542	Presser foot lifter shaft
35	1650004-696	Set screw for thread release cam
36	2141002-241	Thread release cam
37	2141002-366-651	Presser foot lifter lever
38	50421	Spring ring
39	40106	E Ring
40	2141002-541	Presser foot lifter cam
41	1650004-696	Set screw for presser bar I ifter cam
42	2141002-365	Presser foot lifter spring
43	2141002-378	Presser bar bracket stopper
44	10941	Set screw
45	2141002-584	Pressure adjusting stud
46	2141002-377-651	Pressure adjusting dial
47	40106	E Ring
48	60113	Washer
49	60181	Washer

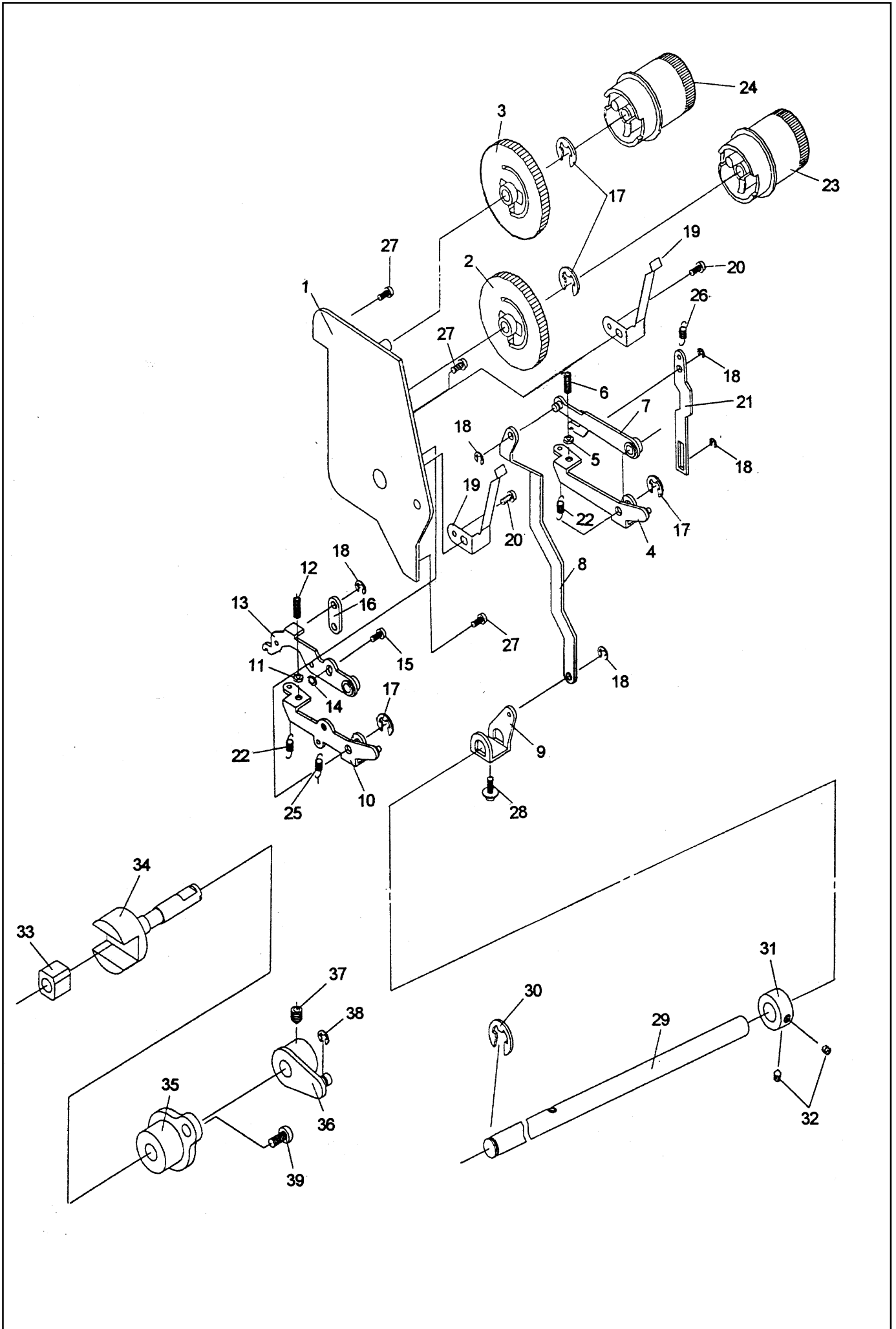




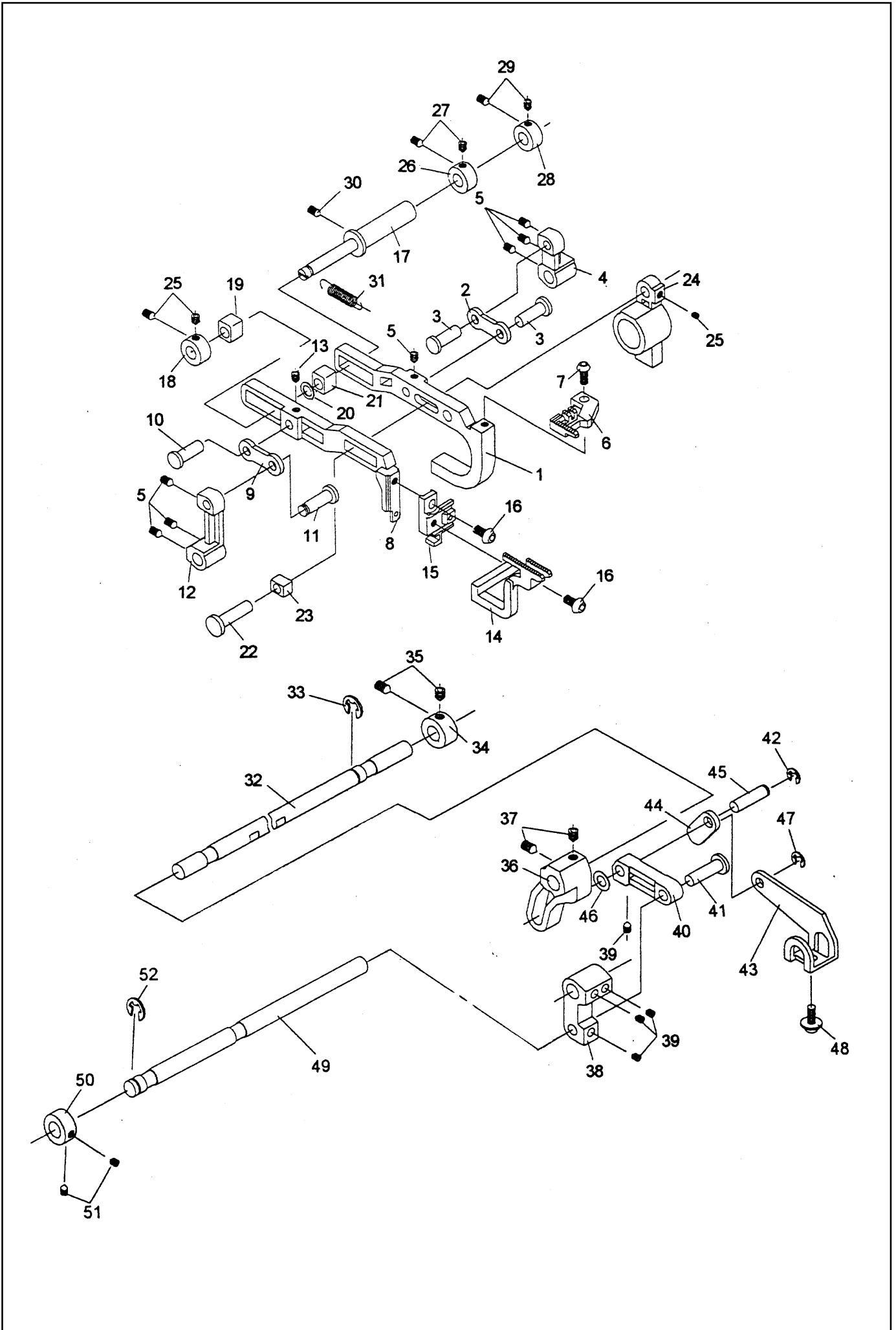
INDEX	REF. NO.	PART NAME	INDEX	REF. NO.	PART NAME
1	2141003-541	Lower shaft	51	20308	Net screw for needle guide plate
2	50415	Spring pin	52	2141002-311	Needle bar
3	2141003-151-651	Handwheel	53	2141002-343	Needle clamp
4	10936	Set screw for handwheel	54	50433	Spring pin
5	40106	E Ring	55	2141002-341	Needle bar thread guide
6	60196	Flat washer	56	10601	Set screw for thread guide
7	2141003-551	Lower shaft collar	57	10141	Set screw for needle
8	9624504-407	Set screw for lower shaft collar	58	411 31 04-01	Needle 5 x # 80
9	2141003-119	Driver cam - A -	59	2141002-322	Needle bar crank
10	2141004-241	Feed link	60	10132	Set screw for needle bar crank
11	2141004-247	Feed link pin	61	2141002-411	Take-up lever
12	2141004-193	Feed inter link	62	10965	Set screw for take-up lever
13	2141004-631	Feed lever (1)	63	2141003-111	Uppershaft
14	2141004-647	Feed differential pin	64	2141002-314	Needle bar driver lever
15	2141003-331	Upper shaft driver link	65	50406	Spring pin
16	2141003-117	Balance crank	66	2141002-321	Needle bar driver link
17	2141003-116	Upper shaft driver link pin	67	1250002-315	Needle bar driver link pin
18	40106	E Ring	68	60145	Washer
19	10126	Set screw for balance crank	69	10125	Set screw
20	2141003-431	Driver cam - B -	70	10131	Set screw
21	2141003-460	Looper link			
22	2141003-333	Looper link lever			
23	11051	Set screw for looper link			
24	2141003-432	Driver cam - C -			
25	2141004-232	Cutter driver link			
26	2141003-460	Looperlink			
27	2141003-115	Upper shaft collar			
28	1650004-696	Cam screw			
29	2141003-415	Upper looper shaft			
30	2141003-417	Upper looper driver lever			
31	20204	Set screw for upper looper driver lever			
32	2141003-412	Upper looper stand shaft			
33	2141003-418	Upper looper stand pin			
34	2441003-443	Lower looper adjusting spring			
35	2141003-426	Upper looper fulcrum			
36	2141003-433	Upper looper			
37	2141003-436	Upper looper fulcrum shaft			
38	10136	Set screw			
39	2141003-419	Upper looper take-up lever			
40	2141003-428	Lower looper take-up lever			
41	10941	Set screw for take-up lever			
42	2141003-425	Lower looper shaft			
43	2141003-424	Lower looper stand			
44	2141003-441	Lower looper			
45	2141002-590	Lower looper thread guide plate			
46	60504	Washer			
47	2141002-594	Thread guide plate spring			
48	2141002-593	Thread guide plate change lever			
49	11052	Set screw for guide plate			
50	2141002-508	Needle guide plate			



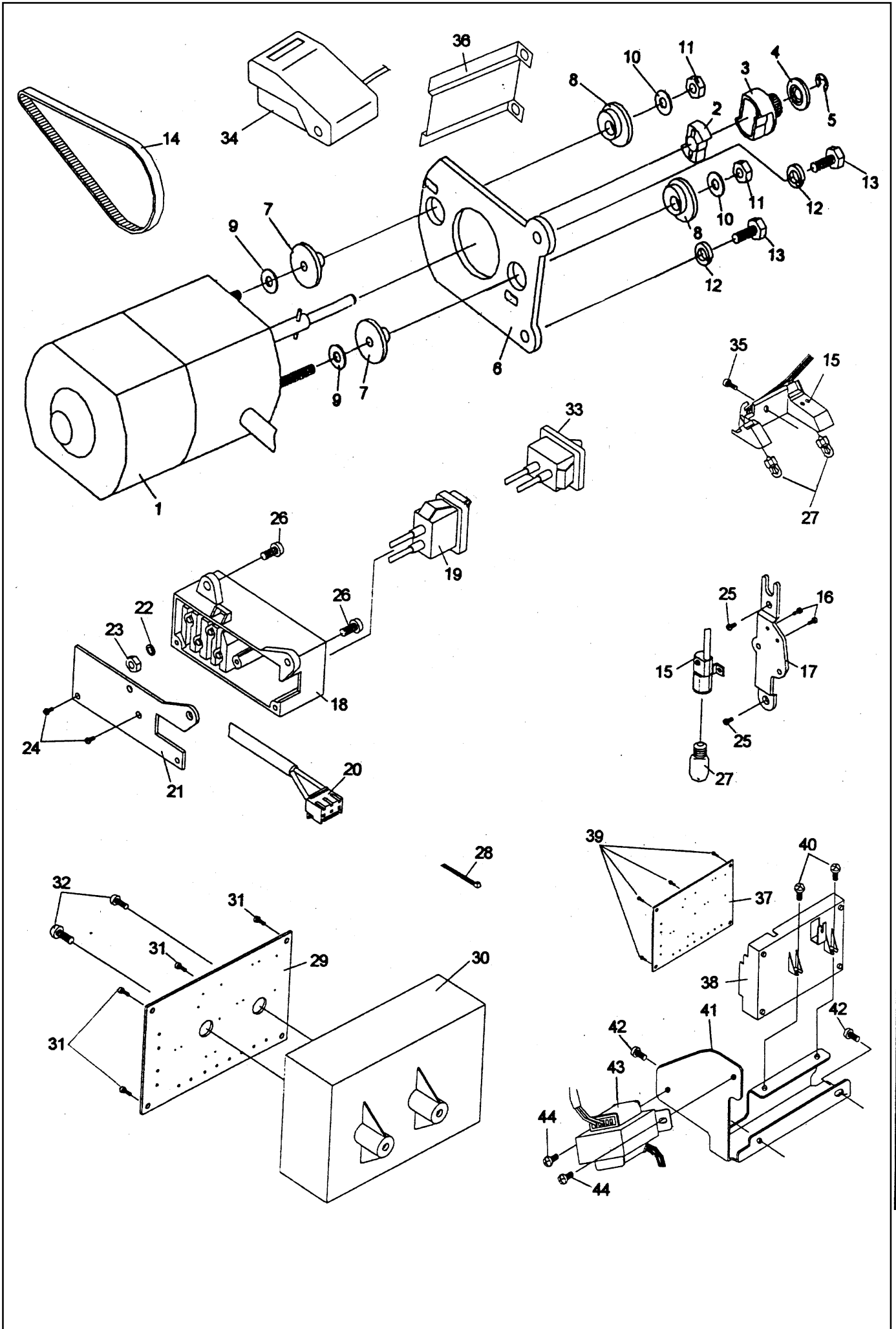
INDEX	REF. NO.	PART NAME
1	2141004-215	Cutter link (1)
2	2141004-217	Cutter link (1) pin
3	40106	E Ring
4	9624504-407	Set screw
5	2141004-219	Cutter link shaft
6	2141004-216	Cutter link (2)
7	2141004-218	Cutter link (2) pin
8	2141004-233	Upper cutter lever
9	2141004-224	Upper cutter lever pin
10	60127	Washer
11	2141004-229	Upper cutter
12	10941	Set screw for upper cutter
13	60107	Washer
14	2141004-227	Cutter stand shaft
15	50315	Parallel pin
16	2141004-225	Cutter rotating dial
17	60112	Washer
18	2141004-226	Cutter pressure spring
19	1650004-696	Set screw for feed cam
20	10972	Set screw
21	30410	Adjustable nut
22	2141004-240	Lower cutter stand
23	2141001-562	Stitch finger move plate
24	2141001-561	Stitch finger position spring
25	2141001-563	Stitch finger moves plate pin (1)
26	2141001-564	Stitch finger moves plate pin (2)
27	2141004-237	Lower cutter
28	10945	Set screw for lower cutter
29	1650001-565-651	Stitch finger knob
30	2141004-415-651	Cutting-width adjusting dial
31	2141004-423	Dial shaft bushing
32	2141004-431	Cutting-width adjusting cam
33	1650004-696	Set screw for adjusting cam
34	1650004-424	Position decided spring
35	90206	Position decided ball
36	2141004-422	Cutting-width adjusting dial bushing
37	60103	Washer
38	40104	E Ring
39	2141004-234	Lower cutter spring
40	60188	Washer
41	10131	Set screw
42	60138	Washer



INDEX	REF. NO.	PART NAME
1	2141004-450	Dial assembly plate
2	2141004-285	Feed cam
3	2141004-692	Differential feed cam
4	2141004-470	Differential feed adjusting rod (2)
5	30403	Adjustable nut
6	10144	Adjustable screw
7	2141004-460	Differential feed adjusting rod (1)
8	2141004-646	Differential feed inter rod
9	2141004-608	Differential feed adjusting lever
10	2141004-490	Feed adjusting rod (2)
11	30403	Adjustable nut
12	10144	Adjustable screw
13	2141004-480	Feed adjusting rod (1)
14	60141	Washer
15	10941	Set screw
16	2141004-163	Feed inter plate
17	40104	E-Ring
18	40110	E-Ring
19	2141004-286	Position decided spring
20	10941	Set screw
21	2141004-674	Feed adjusting refrain link
22	2141004-483	Feed adjusting spring
23	2141014-284-651	Stitch length dial
24	2141014-695-651	Differential feed adjusting dial
25	2141004-482	Feed adjusting rod spring
26	2141004-679	Feed refrain rod spring
27	10955	Set screw
28	10942	Set screw
29	2141004-686	Differential feed adjusting shaft
30	40103	E-Ring
31	2141004-668	Differential feed shaft collar
32	9624504-407	Set screw
33	2141004-122	Slide block
34	2141 004-111	Feed regulator
35	2141004-165	Feed regulator bushing
36	2141004-302	Feed adjusting lever
37	9624504-407	Set screw
38	40110	E-Ring
39	10976	Set screw

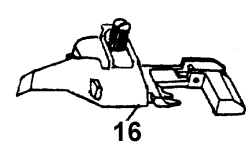
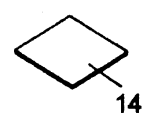
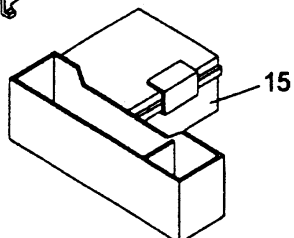
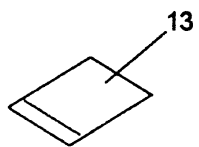
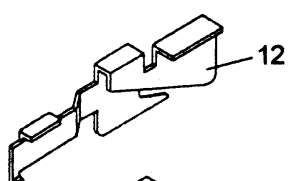
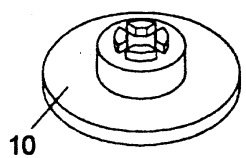
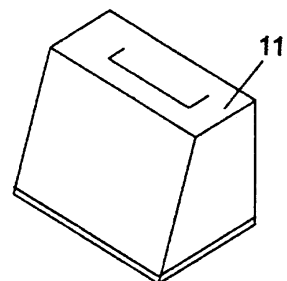
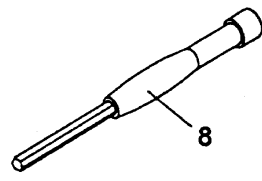
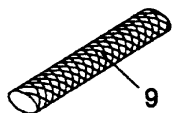
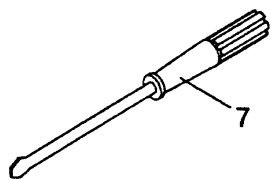
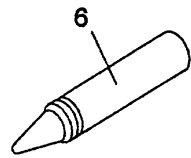
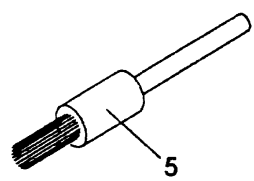
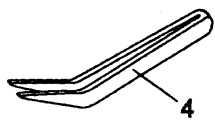
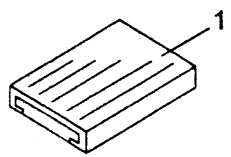
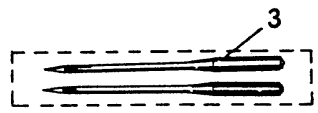
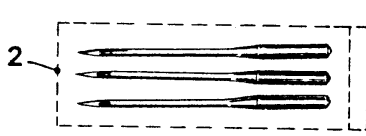


INDEX	REF. NO.	PART NAME
1	2141004-621	Feed plate
2	2141004-167	Feed rod
3	2141004-637	Feed plate pin (1)
4	2141004-631	Feed lever (1)
5	9624504-407	Set screw
6	2141004-611	Feed dog
7	20210	Set screw for feed dog
8	2141004-622	Differential feed plate
9	2141004-167	Feed rod
10	2141004-637	Feed plate pin (1)
11	2141014-637	Feed plate pin (2)
12	2141004-632	Feed lever (2)
13	9624504-407	Set screw
14	2141004-612	Differential feed dog
15	2141004-628	Feed adjusting plate
16	20210	Set screw
17	2141004-685	Differential feed plate shaft
18	2141004-656	Differential feed shaft collar (1)
19	2141004-626	Feed lifting block (1)
20	60507	Washer
21	2141004-629	Feed lifting block (3)
22	2141004-711	Feed lifter shaft
23	2141004-627	Feed lifting block (2)
24	2141004-242	Feed lifting link
25	9624504-407	Set screw
26	2141004-657	Differential feed shaft collar (2)
27	10135	Set screw
28	2141004-657	Differential feed shaft collar (2)
29	10135	Set screw
30	10132	Set screw
31	2141004-664	Differential feed plate spring
32	2141004-263	Feed shaft
33	40106	E-Ring
34	2141004-635	Feed shaft collar
35	9624504-407	Set screw
36	2141004-641	Differential feed lever
37	10131	Set screw
38	2141004-631	Feed lever (1)
39	9624504-407	Set screw
40	2141004-193	Feed inter link
41	2141004-647	Differential feed rod pin
42	40110	E-Ring
43	2141004-645	Differential feed adjusting lever
44	2141004-603	Differential feed inter lever
45	2141004-642	Differential feed lever pin
46	60167	Nylon washer
47	40104	E-Ring
48	10942	Set screw
49	2141004-687	Differential feed shaft
50	2141004-635	Feed shaft collar
51	9624504-407	Set screw
52	40106	E-Ring





INDEX	REF. NO.	PART NAME		
1	2141008-835	Motor (120V)		
	2141018-835	Motor (230V)		
2	1650008-842	Cushion rubber		
3	2141008-844	Motor pulley		
4	2141008-845	Motor pulley stopper		
5	40110	E-Ring		
6	2141008-824	Motor bracket		
7	150008-825	Insulating ring (inside) (120V)		
8	150008-832	Insulating ring (outside) (120V)		
9	60506	Washer (120V)		
10	60159	Washer (120V)		
11	30111	Nut (120V)		
12	60205	Spring washer		
13	20107	Screw		
14	2141008-843	Timing belt		
15	2141008-110	Lighting set (120V)	- 905	
	2141018-110	Lighting set (230V)	- 905	
	2143008-110	Lighting set (120V,230V)	- 910	
16	10992	Screw		
17	2141008-171	Lighting bracket		
18	2141008-838	Terminal box		
19	2141008-870	Switch		
20	2141008-135	Repeating connector (1)		
	2143008-136	Repeating connector (2) (120V, 230V)		
21	2141008-846	Terminal box holder plate		
22	60302	Washer		
23	30112	Nut		
24	10986	Tapping screw		
25	10955	Screw		
26	10964	Screw		
27	150038-116	Light bulb (120V)	- 905	
	150048-116	Light bulb (230V)	- 905	
	2143008-116	Light bulb (120V 230V)	- 910	
28	950008-848	Cord binder		
29	2141008-201	Electric board (120V)	- 905	
	2141018-201	Electric board (230V)	- 905	
	2143008-201	Electric board (120V)	- 910	
	2143018-201	Electric board (230V)	- 910	
30	2141008-811	Electric board case		
31	11203	Screw		
32	10955	Screw		
33	2141008-960	Sewing speed selector		
34	1250308-834	Foot control (120 V)		
	1921028-834	Foot control (230 V)		
35	10942	Washer (230 V)	- 910	
36	2141008-271	Insolated paper (230 V)		
37	2143008-202	Control electric board	- 910	
38	2143008-285	Control electric board case	- 910	
39	11203	Set screw	- 910	
40	10988	Set screw	- 910	
41	2143008-286	Control electric board bracket	- 910	
42	10978	Set screw	- 910	
43	2143008-381	Transformer (120 V)	- 910	
	2143018-381	Transformer (230 V)	- 910	
44	11949	Set screw	- 910	



INDEX	REF. NO.	PART NAME
2	411 31 04-01	Needle 5 x # 80
	411 31 05-01	Needle 10 x # 80
3	411 31 06-01	Needle 5 x # 90
	411 31 07-01	Needle 10 x # 90
4	2141009-191	Tweezers
5	401 55 55-01	Brush
6	1650009-842	Oiler
7	412 38 15-01	Driver - L -
8	2141009-211	Hexagon driver
9	1250009-192	Net
10	1350002-198	Spool adapter
11	2141009-112	Vinyl cover
12	1651003-435	2-Thread overlock convertor
13	150012-483	Plastic bag
14	2141009-844	Needle holder
15	2141001-350	Accessory box
16	2141002-730	Multipurpose foot

#### Accessories

2141002-501	Pearl foot
2141002-502	Gathering foot
2141002-407	Elastic foot
2141002-408	Piping foot - large
2141012-408	Piping foot - small
2141001-154	Waste tray
412 53 85-01	Instruction book - Swe
412 53 85-06	Instruction book - Dan
412 53 85-11	Instruction book - Fin
412 53 85-21	Instruction book - Nor
412 53 85-26	Instruction book - Eng
412 53 85-31	Instruction book - Fra
412 53 85-36	Instruction book - Dutch
412 53 85-41	Instruction book - Ita
412 53 85-46	Instruction book - Spa
412 53 85-51	Instruction book - Ger
412 53 85-56	Instruction book - Russian