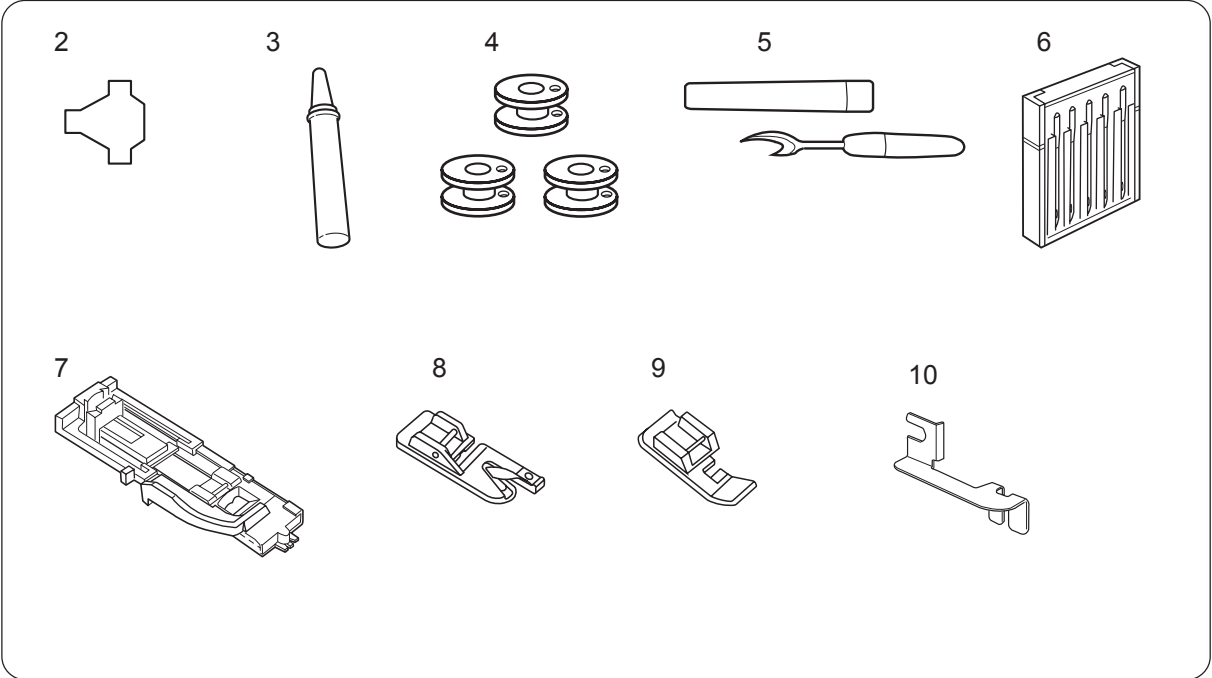


PARTS LIST

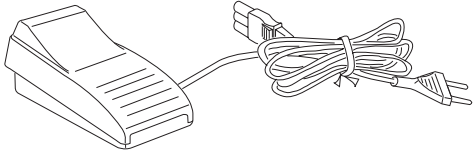
| KEY NO. | PARTS NO. | DESCRIPTION |
|---------|-----------|-----------------------------------|
| 1 | 303870018 | ACCESSORY SET |
| 2 | 653802002 | SCREW DRIVER |
| 3 | 741814003 | OIL |
| 4 | 102261000 | BOBBIN |
| 5 | 647808009 | SEAM RIPPER/BUTTONHOLE OPENER |
| 6 | 540401026 | NEEDLE SET |
| 7 | 740801004 | AUTOMATIC BUTTONHOLE FOOT |
| 8 | 743815000 | HEMMER FOOT |
| 9 | 611406002 | ZIPPER FOOT |
| 10 | 674401002 | HEM GUIDE |
| 11 | 042870102 | FOOT CONTROL (AUSTRALIA) |
| | 033870104 | FOOT CONTROL (U.S.A., CANADA) |
| | 042870401 | FOOT CONTROL (U.K.) |
| | 042870308 | FOOT CONTROL (CONTINENTAL EUROPE) |
| 12 | 303800051 | INSTRUCTION BOOK |
| 13 | 488701002 | COVER |

PARTS LIST

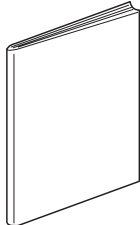
1



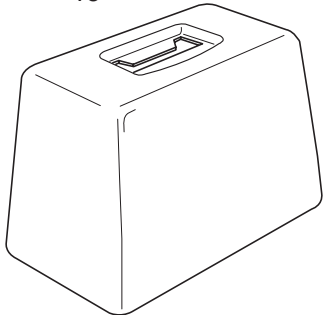
11



12



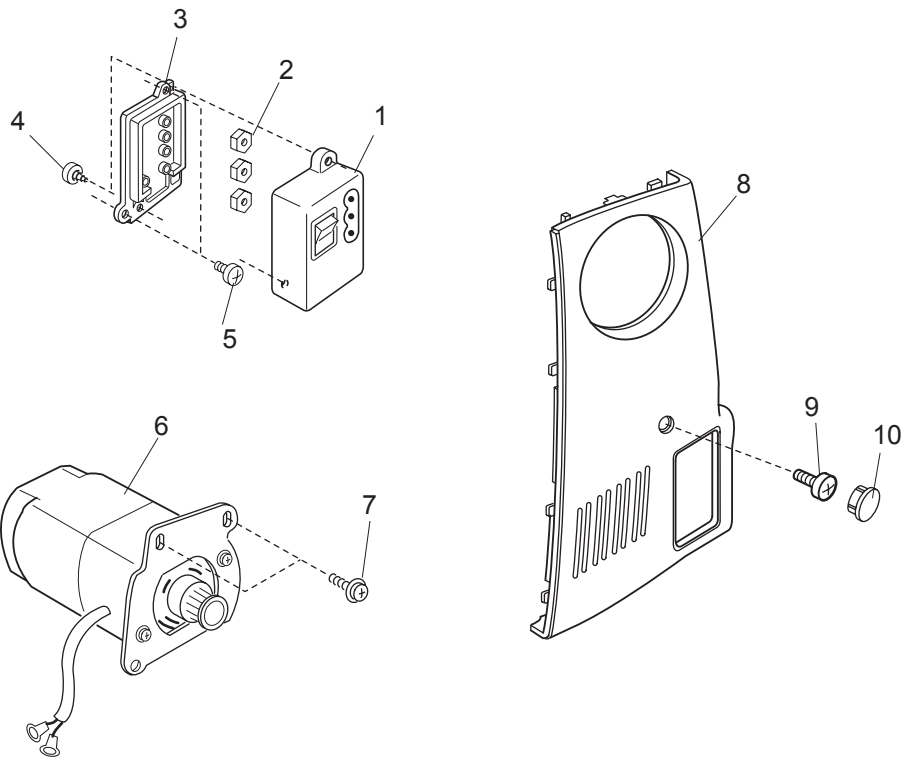
13



PARTS LIST

| KEY NO. | PARTS NO. | DESCRIPTION |
|---------|-----------|---|
| 1 | 739503308 | MACHINE SOCKET UNIT (AUSTRALIA, U.K., CONTINENTAL EUROPE) |
| | 739505403 | MACHINE SOCKET UNIT (U.S.A., CANADA) |
| 2 | 000060802 | NUT |
| 3 | 739037007 | MACHINE SOCKET COVER |
| 4 | 000107802 | TAPPING SCREW 3X10B |
| 5 | 000103509 | SETSCREW 4X10 |
| 6 | 303615002 | MOTOR UNIT (AUSTRALIA, U.K.) |
| | 303616003 | MOTOR UNIT (U.S.A., CANADA) |
| | 303615105 | MOTOR UNIT (CONTINENTAL EUROPE) |
| 7 | 000115504 | TP SCREW 5X10 |
| 8 | 303059002 | BELT COVER |
| 9 | 000106801 | SETSCREW 4X35 |
| 10 | 653006101 | CAP |

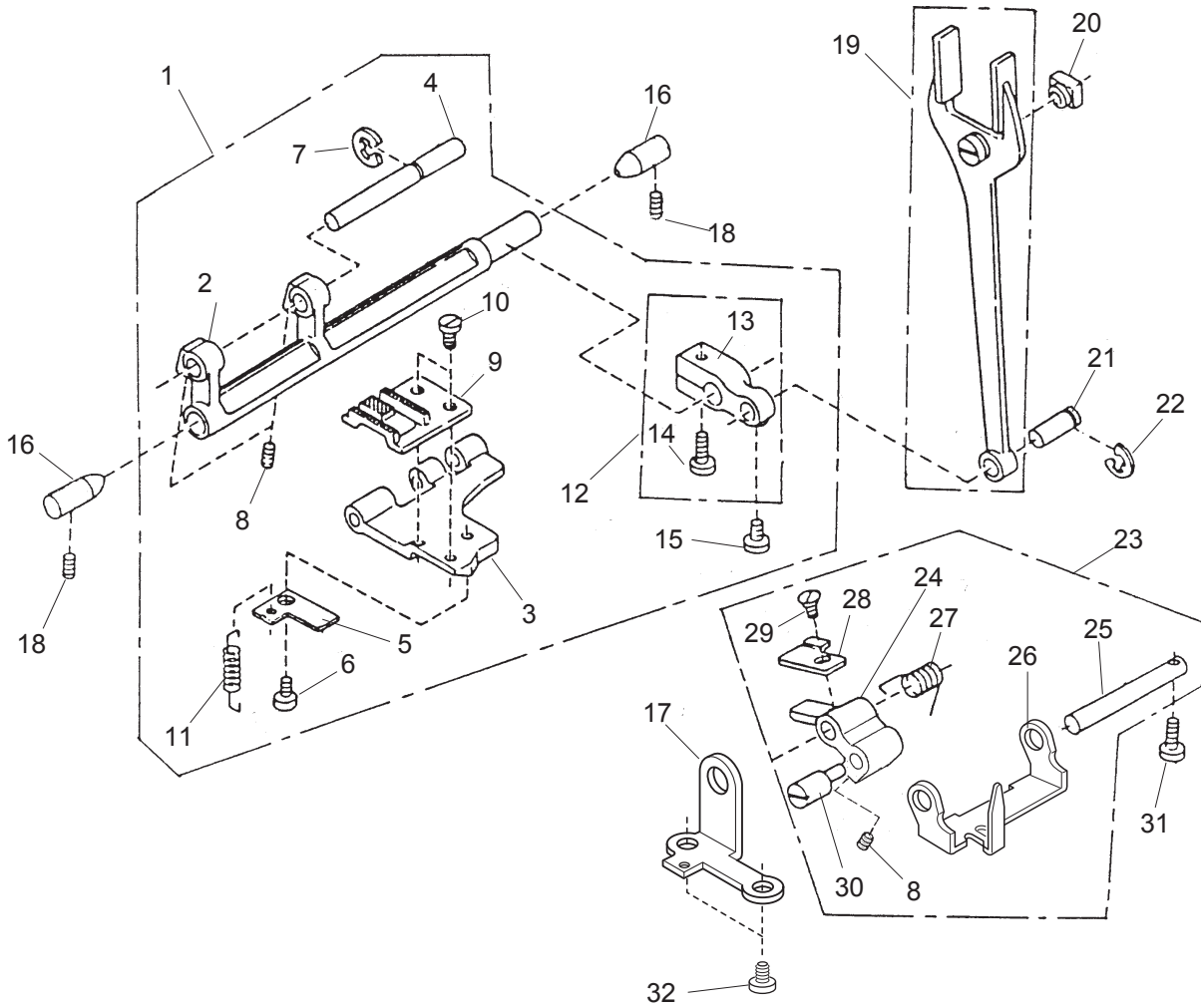
PARTS LIST



PARTS LIST

| KEY NO. | PART NO. | DESCRIPTION |
|---------|-----------|---------------------------------|
| 1 | 730611004 | FEED ROCK SHAFT UNIT |
| 2 | 730057006 | FEED ROCK SHAFT |
| 3 | 647066007 | FEED DOG BASE |
| 4 | 647134007 | FEED DOG BASE SHAFT |
| 5 | 648019008 | FEED DOG BASE SLIDING PLATE |
| 6 | 102021202 | SETSCREW |
| 7 | 000002507 | SNAP RING E-4 |
| 8 | 000111108 | HEXAGON SOCKET SCREW 4X6 |
| 9 | 730184003 | FEED DOG |
| 10 | 730183002 | SETSCREW |
| 11 | 672042005 | FEED DOG BASE SPRING |
| 12 | 647612015 | FEED ROCK SHAFT CRANK UNIT |
| 13 | 647064005 | FEED ROCK SHAFT CRANK |
| 14 | 102151006 | SETSCREW |
| 15 | 102205006 | SETSCREW |
| 16 | 738055008 | STRAIGHT PIN |
| 17 | 303033000 | FEED LIFTING ARM SHAFT HOLDER |
| 18 | 000111304 | HEXAGONAL SOCKET SCREW 5X5 |
| 19 | 647607006 | FORK ROD UNIT |
| 20 | 102141003 | FEED REGULATOR SLIDE BLOCK |
| 21 | 673103008 | FEED ROCK SHAFT CONNECTING PIN |
| 22 | 000002806 | SNAP RING E-6 |
| 23 | 303612009 | FEED LIFTING ARM UNIT |
| 24 | 738028002 | FEED LIFTING ARM |
| 25 | 730058007 | FEED LIFTING ARM SPRING |
| 26 | 303069005 | DROP FEED SELECTING PLATE |
| 27 | 730061003 | DROP FEED SELECTING SPRING |
| 28 | 730062004 | SLIDING PLATE |
| 29 | 365032001 | FLAT SCREW |
| 30 | 730063016 | FEED LIFTING CRANK ROLLER SHAFT |
| 31 | 000101703 | SCREW 4X12 |
| 32 | 000101404 | SCREW 4X6 |

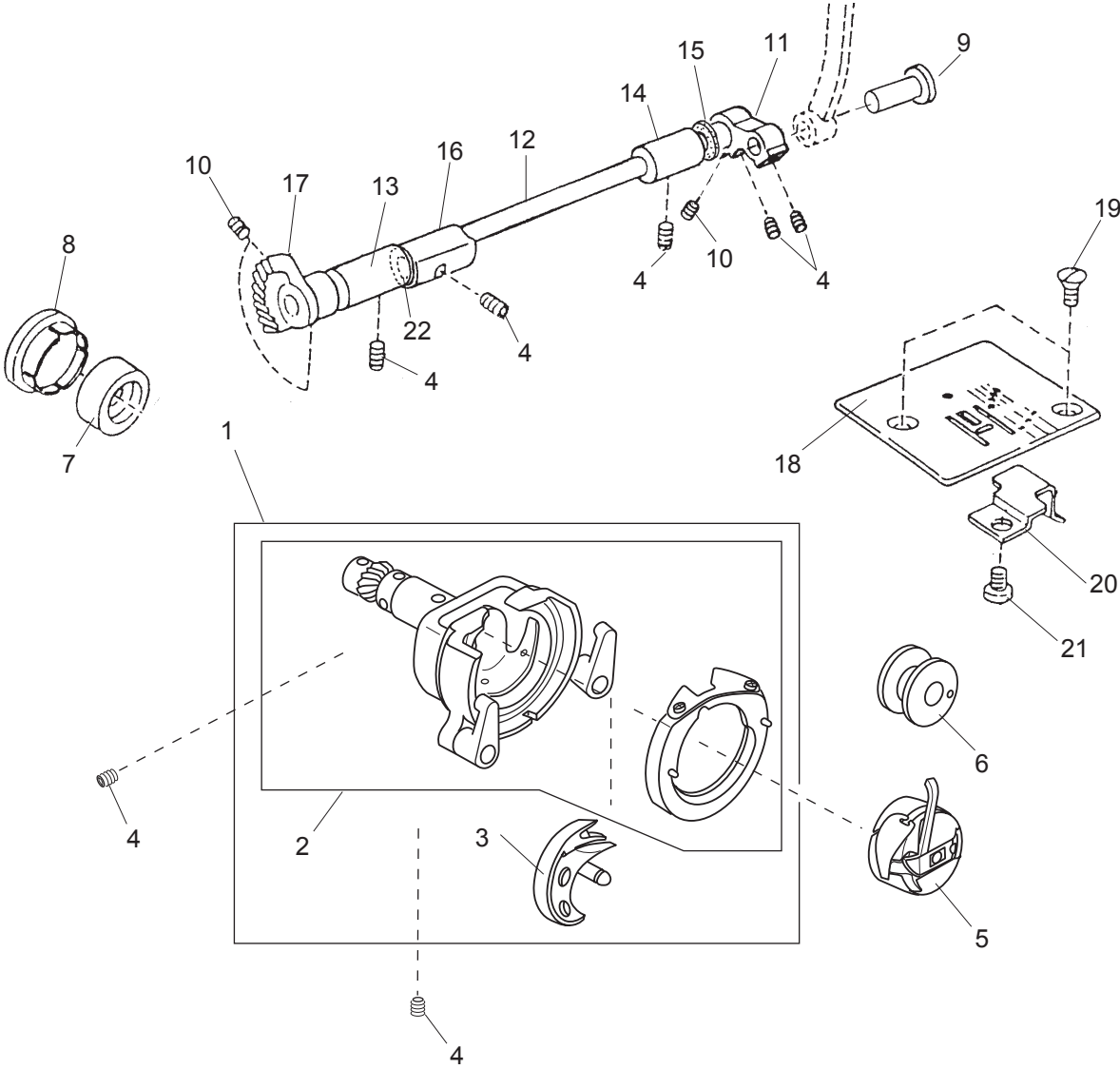
PARTS LIST



PARTS LIST

| KEY NO. | PARTS NO. | DESCRIPTION |
|---------|-----------|-------------------------------|
| 1 | 640603104 | HOOK RACE UNIT |
| 2 | 640503000 | HOOK RACE UNIT |
| 3 | 532096007 | HOOK |
| 4 | 000111304 | HEXAGONAL SOCKET SCREW 5X5 |
| 5 | 647515006 | BOBBIN CASE UNIT |
| 6 | 102261000 | BOBBIN |
| 7 | 640018003 | HOOK DRIVER SHAFT BUSHING |
| 8 | 626045407 | CAP |
| 9 | 735064001 | CRANK ROD PIN |
| 10 | 000110107 | HEXAGONAL SOCKET SCREW 5X5 WP |
| 11 | 738023007 | LOWER SHAFT CRANK |
| 12 | 647142008 | LOWER SHAFT |
| 13 | 738024008 | LOWER SHAFT FRONT BUSHING |
| 14 | 640038009 | LOWER SHAFT REAR BUSHING |
| 15 | 722034002 | FELT |
| 16 | 647043008 | FEED LIFTING CAM |
| 17 | 730038001 | LOWER SHAFT GEAR |
| 18 | 730027007 | NEEDLE PLATE |
| 19 | 681009101 | FLAT SCREW |
| 20 | 730107002 | GEAR BOX UPPER COVER |
| 21 | 000101404 | SCREW 4X6 |
| 22 | 000036201 | WASHER |

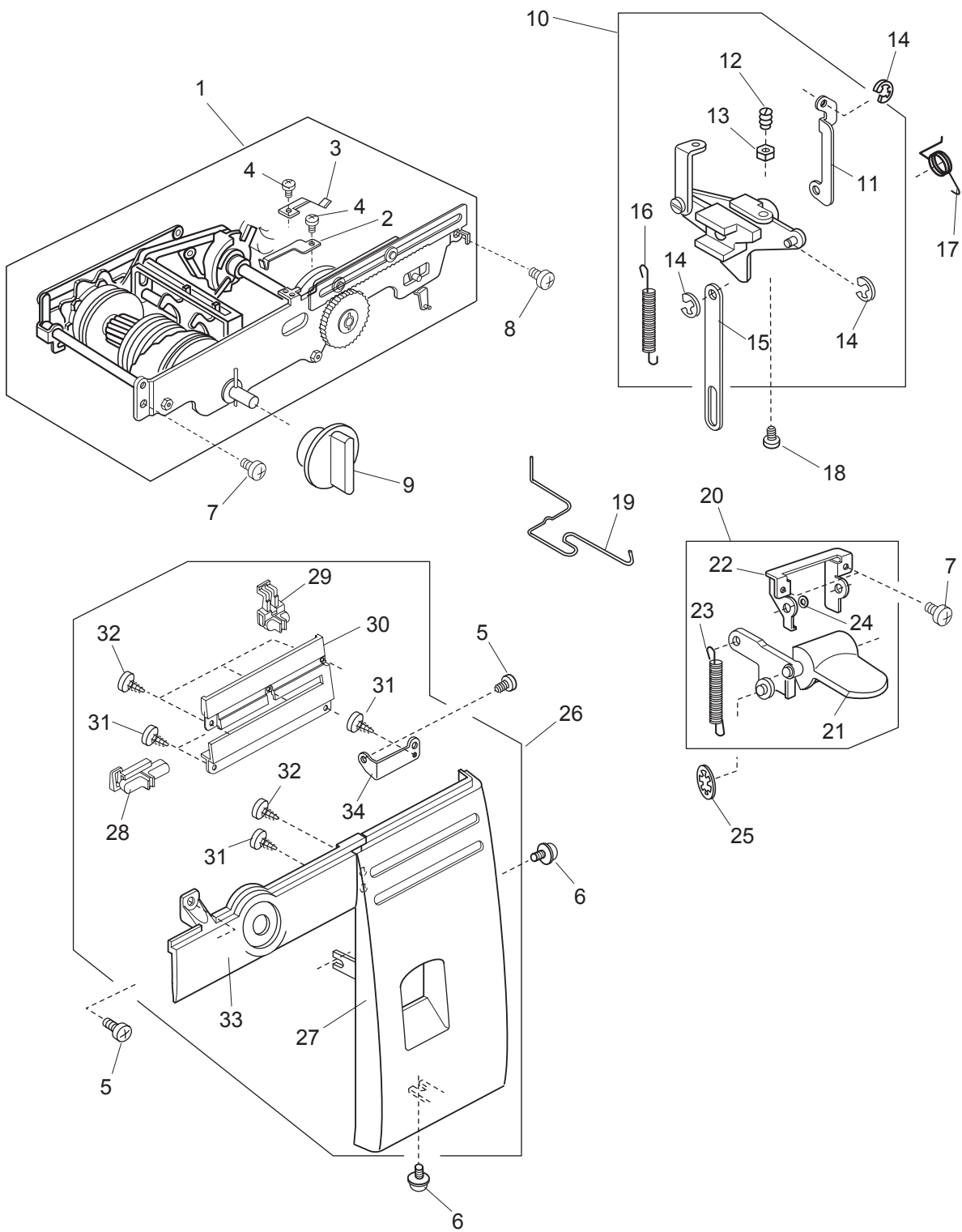
PARTS LIST



PARTS LIST

| KEY NO. | PARTS NO. | DESCRIPTION |
|---------|-----------|------------------------------------|
| 1 | 303625005 | ZIGZAG MECHANISM UNIT |
| | 303625108 | ZIGZAG MECHANISM UNIT (MODEL 419S) |
| 2 | 303028002 | INDEX SPRING |
| 3 | 303051004 | INDEX SPRING |
| 4 | 000078319 | SETSCREW 3X6 |
| 5 | 000101404 | SETSCREW 4X6 |
| 6 | 000115205 | TP SCREW 4X6 |
| 7 | 000081005 | SETSCREW 4X8 |
| 8 | 810220003 | SETSCREW |
| 9 | 303052005 | PATTERN SELECTOR DIAL |
| 10 | 303610100 | FEED REGULATOR UNIT |
| 11 | 303029003 | FEED REGULATOR ROD |
| 12 | 648010009 | SETSCREW |
| 13 | 000160102 | ADJUSTABLE NUT |
| 14 | 000002105 | SNAP RING E-3 |
| 15 | 731034000 | REVERSE LEVER ROD |
| 16 | 303085007 | FEED REGULATOR SPRING |
| 17 | 735077007 | FEED REGULATOR BODY SPRING |
| 18 | 000101301 | SETSCREW 5X10 |
| 19 | 730041007 | SPRING SUSTAINER |
| 20 | 303611008 | REVERSE LEVER UNIT |
| 21 | 303030007 | REVERSE LEVER |
| 22 | 303031008 | REVERSE LEVER SUPPORTER |
| 23 | 731033009 | REVERSE LEVER SPRING |
| 24 | 000111608 | SPRING WASHER |
| 25 | 000013903 | SNAP RING CS-5 |
| 26 | 303614012 | FRONT COVER UNIT |
| | 303614023 | FRONT COVER UNIT (MODEL 419S) |
| 27 | 303053110 | FRONT COVER |
| | 303053121 | FRONT COVER (MODEL 419S) |
| 28 | 303054007 | WIDTH SLIDE BUTTON |
| 29 | 303055008 | FEED SLIDE BUTTON |
| 30 | 303056009 | SLIDE BUTTON PLATE |
| 31 | 000120203 | TAPPING SCREW 3X8 |
| 32 | 000161103 | TAPPING SCREW 3X6 |
| 33 | 303057114 | FRONT PANEL FRAME |
| | 303057125 | FRONT PANEL FRAME (MODEL 419S) |
| 34 | 303058001 | FRONT COVER SET PLATE |

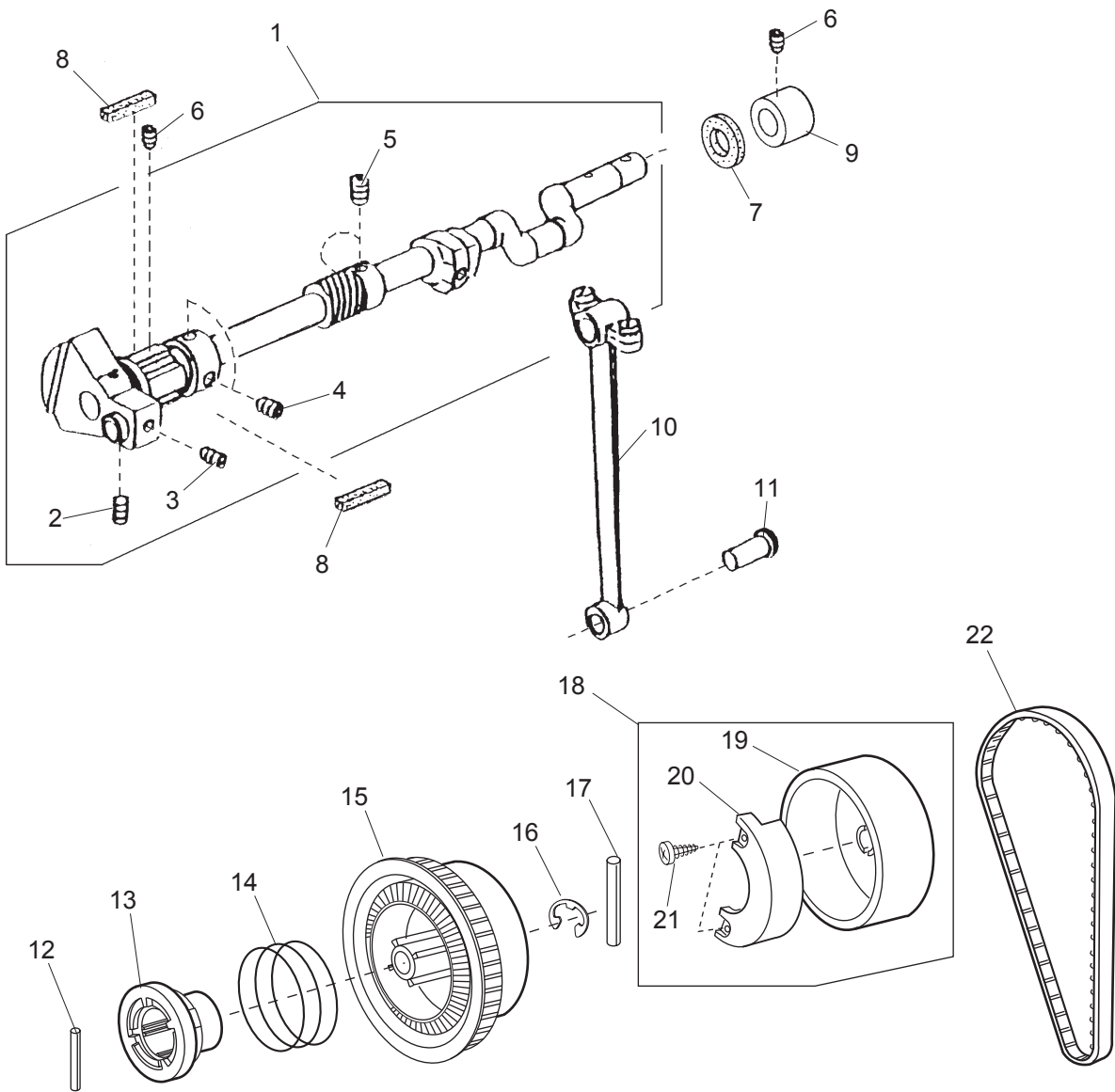
PARTS LIST



PARTS LIST

| KEY NO. | PARTS NO. | DESCRIPTION |
|---------|-----------|----------------------------|
| 1 | 303608002 | UPPER SHAFT (UNIT) |
| 2 | 102073003 | SCREW |
| 3 | 102063000 | SCREW |
| 4 | 000111304 | HEXAGONAL SOCKET SCREW 5X5 |
| 5 | 553245008 | HEXAGONAL SOCKET SCREW |
| 6 | 000111108 | HEXAGON SOCKET SCREW 4X6 |
| 7 | 743029009 | FELT |
| 8 | 731312005 | FELT |
| 9 | 732003003 | UPPER SHAFT REAR BUSHING |
| 10 | 738634007 | CRANK ROD UNIT |
| 11 | 735064001 | CRANK ROD PIN |
| 12 | 000024206 | SPRING PIN 3X30 |
| 13 | 502064003 | CLUTCH RING |
| 14 | 502065004 | CLUTCH SPRING |
| 15 | 303025009 | BELT WHEEL |
| 16 | 000030205 | SNAP RING E-8 |
| 17 | 000023803 | SPRING PIN 4X40 |
| 18 | 303609003 | HANDWHEEL UNIT |
| 19 | 303026000 | HANDWHEEL |
| 20 | 303027001 | BALANCE WEIGHT |
| 21 | 000161206 | TAPPING SCREW 3X10B |
| 22 | 738046006 | TIMING BELT |

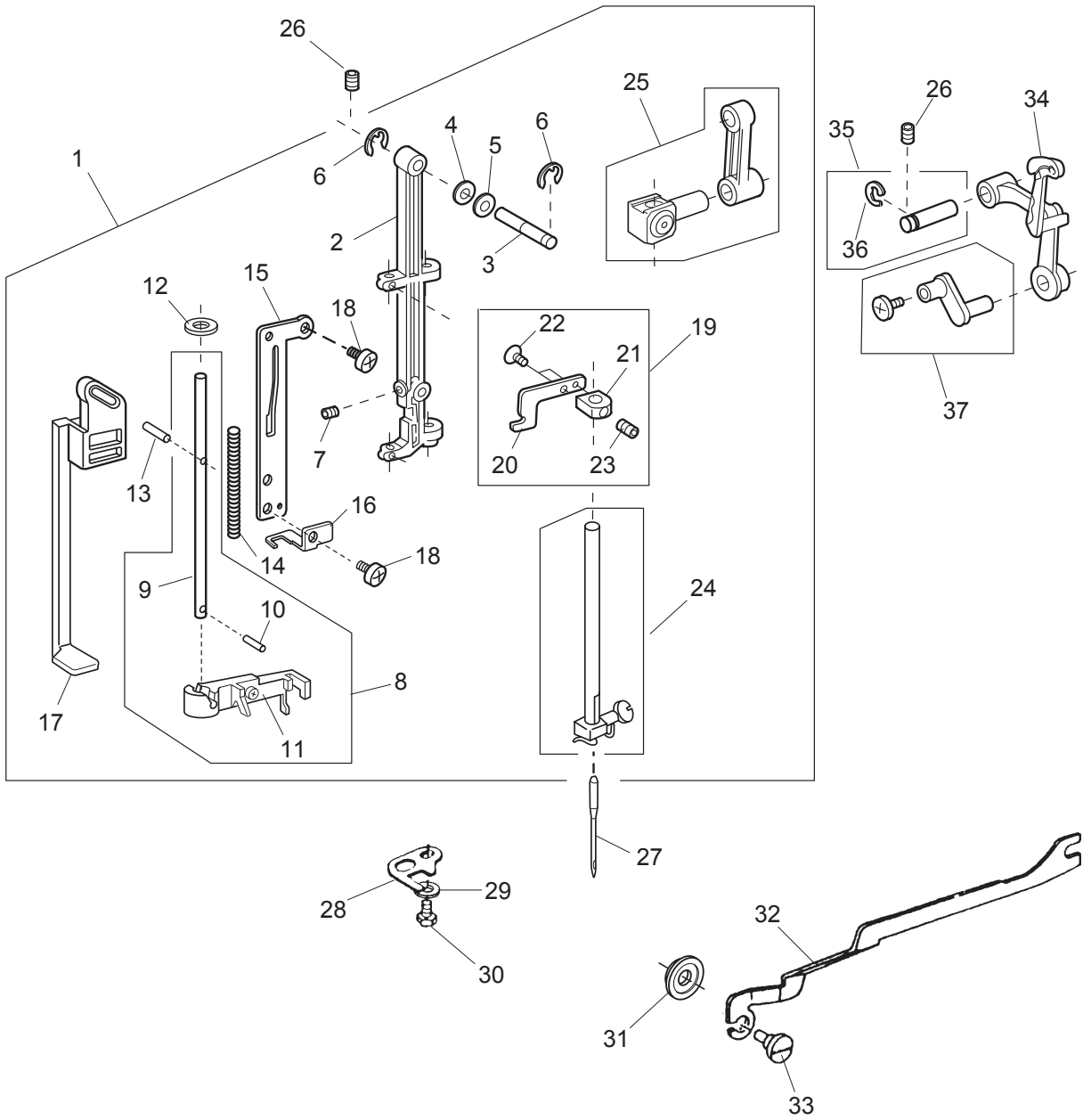
PARTS LIST



PARTS LIST

| KEY NO. | PARTS NO. | DESCRIPTION |
|---------|-----------|---------------------------------|
| 1 | 303604008 | NEEDLE BAR SUPPORTER UNIT |
| 2 | 303020107 | NEEDLE BAR SUPPORTER |
| 3 | 730022002 | NEEDLE BAR SUPPORTER PIN |
| 4 | 673022002 | SPRING WASHER |
| 5 | 000070609 | PLAIN WASHER 6 |
| 6 | 000002507 | SNAP RING E-4 |
| 7 | 000111902 | HEXAGONAL SOCKET SCREW 3X4 |
| 8 | 303605009 | NEEDLE THREADER SHAFT UNIT |
| 9 | 303016007 | NEEDLE THREADER SHAFT |
| 10 | 000003508 | SPRING PIN |
| 11 | 755643002 | NEEDLE THREADER PLATE |
| 12 | 734107004 | WASHER |
| 13 | 000125105 | GROOVED PIN |
| 14 | 840035002 | NEEDLE THREADER SPRING |
| 15 | 303064000 | NEEDLE THREADER GUIDE PLATE |
| 16 | 840037004 | NEEDLE THREADER LEVER SUPP. |
| 17 | 840034001 | NEEDLE THREADER LEVER |
| 18 | 000078319 | SETSCREW 3X6 |
| 19 | 734625003 | NEEDLE THREADER REGULATOR UNIT |
| 20 | 734101008 | NEEDLE THREADER REGULATOR |
| 21 | 734102009 | NEEDLE THREADER BASE PLATE |
| 22 | 000097602 | SETSCREW 2X4 |
| 23 | 000111902 | HEXAGONAL SOCKET SCREW 3X4 |
| 24 | 730503116 | NEEDLE BAR UNIT |
| 25 | 680504005 | NEEDLE BAR CONNECTING STUD UNIT |
| 26 | 000111304 | HEXAGONAL SOCKET SCREW 5X5 |
| 27 | 102408089 | NEEDLE HA1-14 |
| 28 | 680036001 | STOPPER |
| 29 | 000070506 | WASHER |
| 30 | 000066303 | BOLT |
| 31 | 748021006 | ZIGZAG ROD WASHER |
| 32 | 722033001 | ZIGZAG ROD |
| 33 | 678084007 | ECCENTRIC PIN |
| 34 | 625506109 | THREAD TAKE-UP LEVER UNIT |
| 35 | 731511006 | THREAD TAKE-UP LEVER PIN |
| 36 | 000002806 | SNAP RING E-6 |
| 37 | 730509008 | NEEDLE BAR CRANK PIN UNIT |

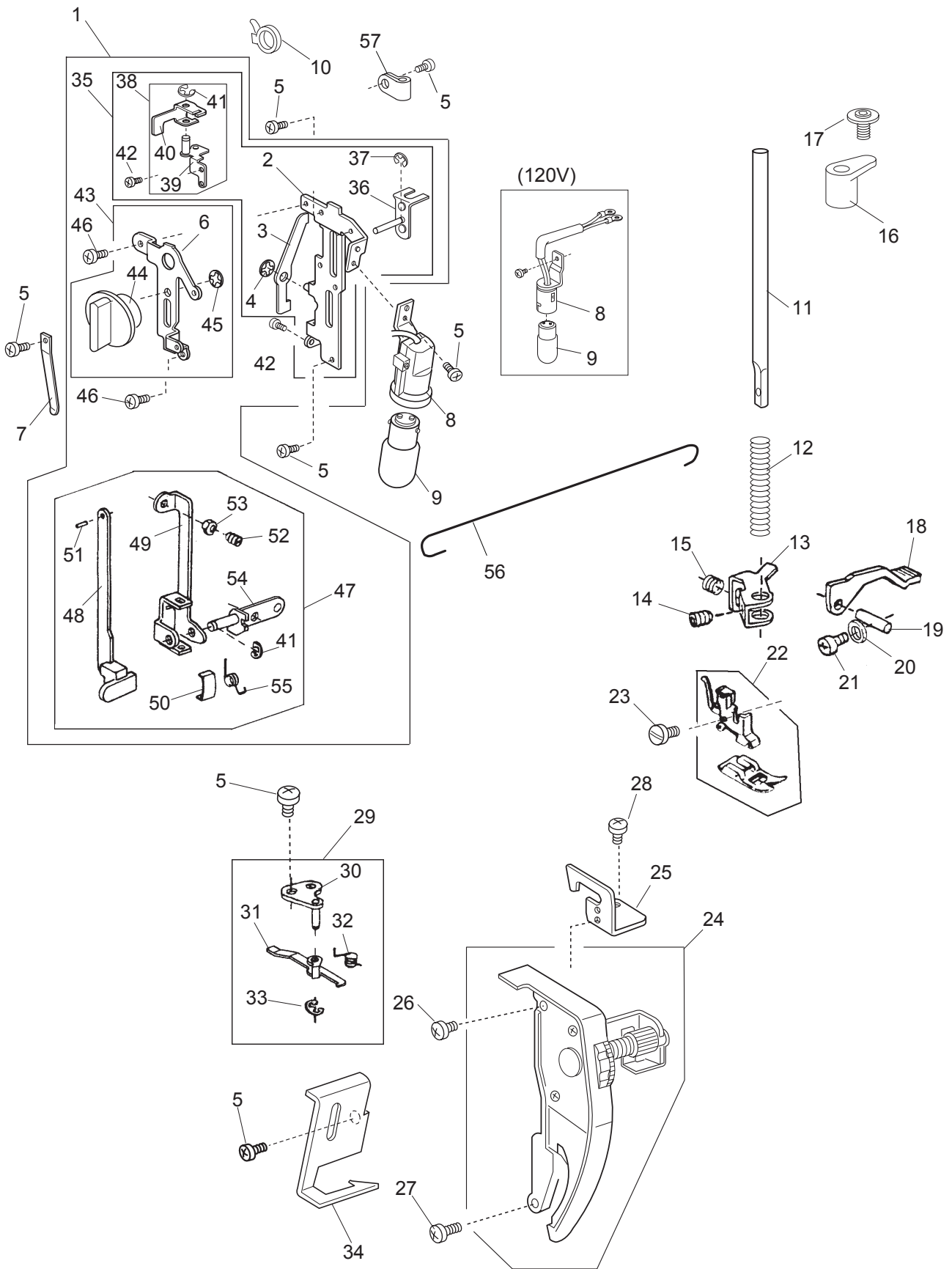
PARTS LIST



PARTS LIST

| KEY NO. | PARTS NO. | DESCRIPTION |
|---------|-----------|--|
| 1 | 303626006 | FRONT BRACKET UNIT (AUSTRALIA, U.K., CONTINENTAL EUROPE) |
| | 303627007 | FRONT BRACKET UNIT (U.S.A., CANADA) |
| 2 | 303018010 | FRONT BRACKET (AUSTRALIA, U.K., CONTINENTAL EUROPE) |
| | 303068015 | FRONT BRACKET (U.S.A., CANADA) |
| 3 | 303019000 | TENSION RELEASE LEVER |
| 4 | 000013903 | SNAP RING CS-4 |
| 5 | 000101404 | SETSCREW 4X6 |
| 6 | 303021108 | FACE PLATE BASE PLATE |
| 7 | 730024004 | NEEDLE BAR SUPPORTER SPRING |
| 8 | 740618208 | LAMP SOCKET UNIT (AUSTRALIA, U.K., CONTINENTAL EUROPE) |
| | 647510609 | LAMP SOCKET UNIT (U.S.A.) |
| | 647513048 | LAMP SOCKET UNIT (CANADA) |
| 9 | 000009009 | LAMP BULB 240V (AUSTRALIA, U.K., CONTINENTAL EUROPE) |
| | 000009803 | LAMP BULB 120V (U.S.A., CANADA) |
| 10 | 000053008 | NYLON BELT |
| 11 | 826006000 | PRESSER BAR |
| 12 | 303067003 | PRESSER BAR SPRING |
| 13 | 822069009 | PRESSER BAR BRACKET |
| 14 | 000111500 | HEXAGONAL SOCKET SCREW 4X8 |
| 15 | 102222009 | PRESSER REGULATOR SPRING |
| 16 | 652104004 | PRESSER BAR BUSHING |
| 17 | 000193001 | SETSCREW 4X6 |
| 18 | 822071004 | PRESSER FOOT LIFTER |
| 19 | 822072005 | PRESSER FOOT LIFTER PIN |
| 20 | 000072302 | WASHER |
| 21 | 000103509 | SETSCREW 4X10 |
| 22 | 611520003 | FOOT HOLDER UNIT |
| 23 | 763048006 | THUMB SCREW |
| 24 | 303503006 | TENSION REGULATOR UNIT |
| 25 | 739016000 | TOP COVER THREAD GUIDE |
| 26 | 000103808 | SETSCREW 3X5 |
| 27 | 000101703 | SETSCREW 4X12 |
| 28 | 000081005 | SETSCREW 4X8 |
| 29 | 303620000 | TENSION RELEASE ARM UNIT |
| 30 | 739017001 | TENSION RELEASE ARM BASE |
| 31 | 739018002 | TENSION RELEASE ARM |
| 32 | 303070009 | TENSION RELEASE SPRING |
| 33 | 000002105 | SNAP RING E-3 |
| 34 | 303008006 | ARM THREAD GUIDE |
| 35 | 303621001 | FRONT BRACKET UNIT (AUSTRALIA, U.K., CONTINENTAL EUROPE) |
| | 303622002 | FRONT BRACKET UNIT (U.S.A., CANADA) |
| 36 | 303062008 | PRESSER ADJUSTING PLATE |
| 37 | 000002507 | SNAP RING E-4 |
| 38 | 303628008 | BH LEVER BASE UNIT |
| 39 | 303084006 | BH LEVER BASE |
| 40 | 722009008 | BH ADJUSTING LEVER |
| 41 | 000002105 | SNAP RING E-3 |
| 42 | 000103808 | SETSCREW 3X5 |
| 43 | 303623003 | PRESSER DIAL UNIT |
| 44 | 501010001 | PRESSER DIAL |
| 45 | 000014007 | SNAP RING CS-4 |
| 46 | 000101404 | SETSCREW 4X6 |
| 47 | 740617001 | BH LEVER UNIT |
| 48 | 753629109 | BH LEVER UNIT |
| 49 | 740047004 | BH LEVER SUPPORTER |
| 50 | 753027008 | FRICTION SPRING |
| 51 | 000023009 | SPRING PIN |
| 52 | 000113306 | SCREW 4X10 |
| 53 | 000160102 | ADJUSTING LOCK NUT 4 |
| 54 | 740048005 | BH LEVER BASE |
| 55 | 740049006 | BH LEVER SPRING |
| 56 | 740052002 | BH STEP UP ROD |
| 57 | 000188405 | NYLON CRIP |

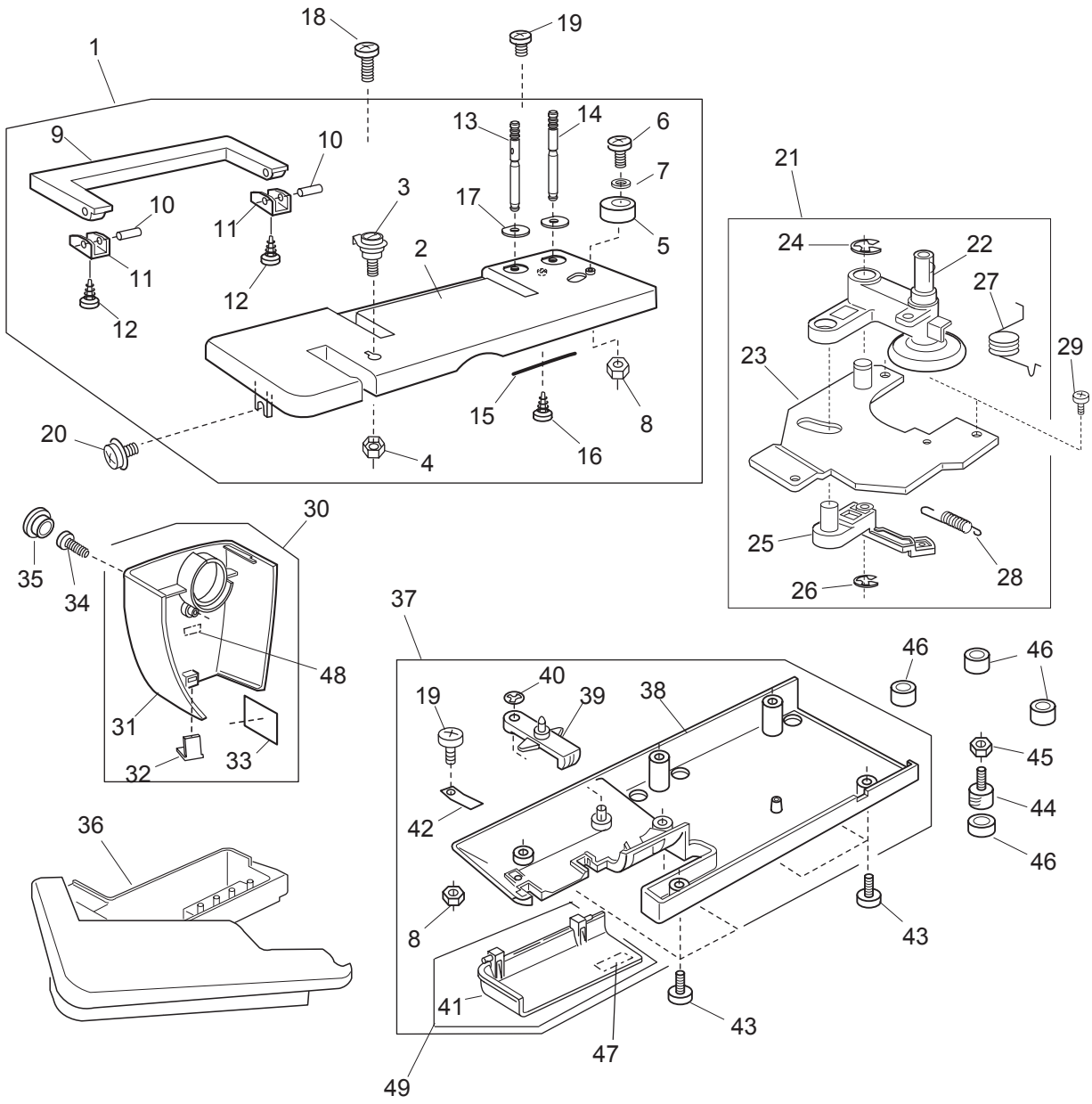
PARTS LIST



PARTS LIST

| KEY NO. | PART NO. | DESCRIPTION |
|---------|-----------|---|
| 1 | 303602006 | TOP COVER UNIT |
| 2 | 303009007 | TOP COVER |
| 3 | 730501011 | THREAD GUIDE PLATE UNIT |
| 4 | 000160102 | ADJUSTABLE NUT 4 |
| 5 | 735016307 | BOBBIN WINDER STOPPER |
| 6 | 000101828 | SETSCREW 4X16 |
| 7 | 000071013 | PLAIN WASHER |
| 8 | 000061205 | NUT |
| 9 | 303010001 | CARRYING HANDLE |
| 10 | 730015002 | HANDLE FIXING PLATE PIN |
| 11 | 730016003 | HANDLE FIXING PLATE |
| 12 | 000107204 | TAPPING SCREW |
| 13 | 652302004 | SPOOL PIN |
| 14 | 652205006 | SPOOL PIN |
| 15 | 736007009 | SPOOL PIN SPRING |
| 16 | 000076317 | SETSCREW |
| 17 | 735013005 | CUSHION |
| 18 | 000104108 | SETSCREW |
| 19 | 000101404 | SETSCREW |
| 20 | 000115205 | TP SCREW |
| 21 | 303603007 | BOBBIN WINDER UNIT |
| 22 | 303502005 | BOBBIN WINDER ARM UNIT |
| 23 | 303012003 | BOBBIN WINDER PLATE |
| 24 | 000002806 | SNAP RING |
| 25 | 303013004 | CRUCH ARM |
| 26 | 000002105 | SNAP RING |
| 27 | 303014005 | BOBBIN WINDER SPRING (1) |
| 28 | 303015006 | BOBBIN WINDER SPRING (2) |
| 29 | 000081005 | SETSCREW 4X8 |
| 30 | 303624004 | FACE PLATE UNIT (CANADA, U.K., CONTINENTAL EUROPE) |
| | 303624107 | FACE PLATE UNIT (U.S.A., AUSTRALIA, CONTINENTAL EUROPE) |
| 31 | 303063102 | FACE PLATE |
| 32 | 840602006 | THREAD CUTTER UNIT |
| 33 | 366076000 | STICKER |
| 34 | 000093309 | SETSCREW 4X14 |
| 35 | 653006101 | CAP |
| 36 | 303501004 | EXTENSION TABLE UNIT |
| 37 | 303601005 | BASE COVER UNIT (AUSTRALIA, U.K., CONTINENTAL EUROPE) |
| | 303601108 | BASE COVER UNIT (U.S.A.) |
| | 303601201 | BASE COVER UNIT (CANADA) |
| 38 | 303003001 | BASE |
| 39 | 738060006 | DROP LEVER |
| 40 | 000013903 | SNAP RING CS-5 |
| 41 | 303005003 | BED LID |
| 42 | 730006000 | LID SPRING |
| 43 | 000081005 | SETSCREW 4X8 |
| 44 | 647010006 | LEVEL ADJUSTING SCREW |
| 45 | 000061319 | NUT |
| 46 | 647009002 | BED RUBBER BASE |
| 47 | 830312016 | CAUTION STICKER (U.S.A.) |
| | 100045000 | CAUTION STICKER (CANADA) |
| 48 | 100411104 | LAMP STICKER (U.S.A., AUSTRALIA) |
| 49 | 303618005 | BED LID UNIT (U.S.A.) |
| | 303618108 | BED LID UNIT (CANADA) |

PARTS LIST



PARTS LIST

MODEL (423S, 419S)