

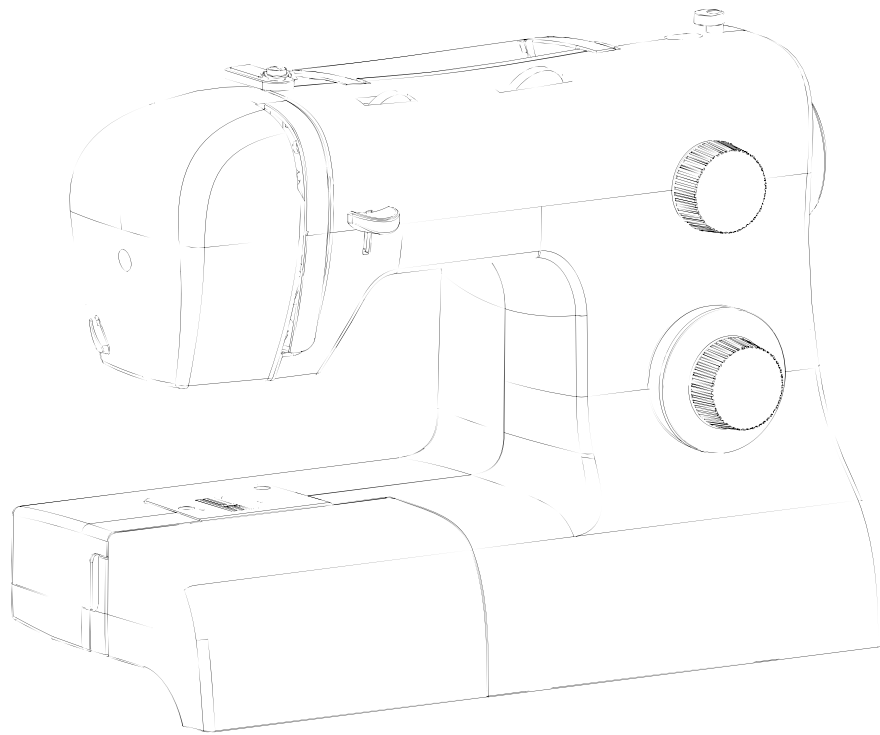


SINGER®

2273

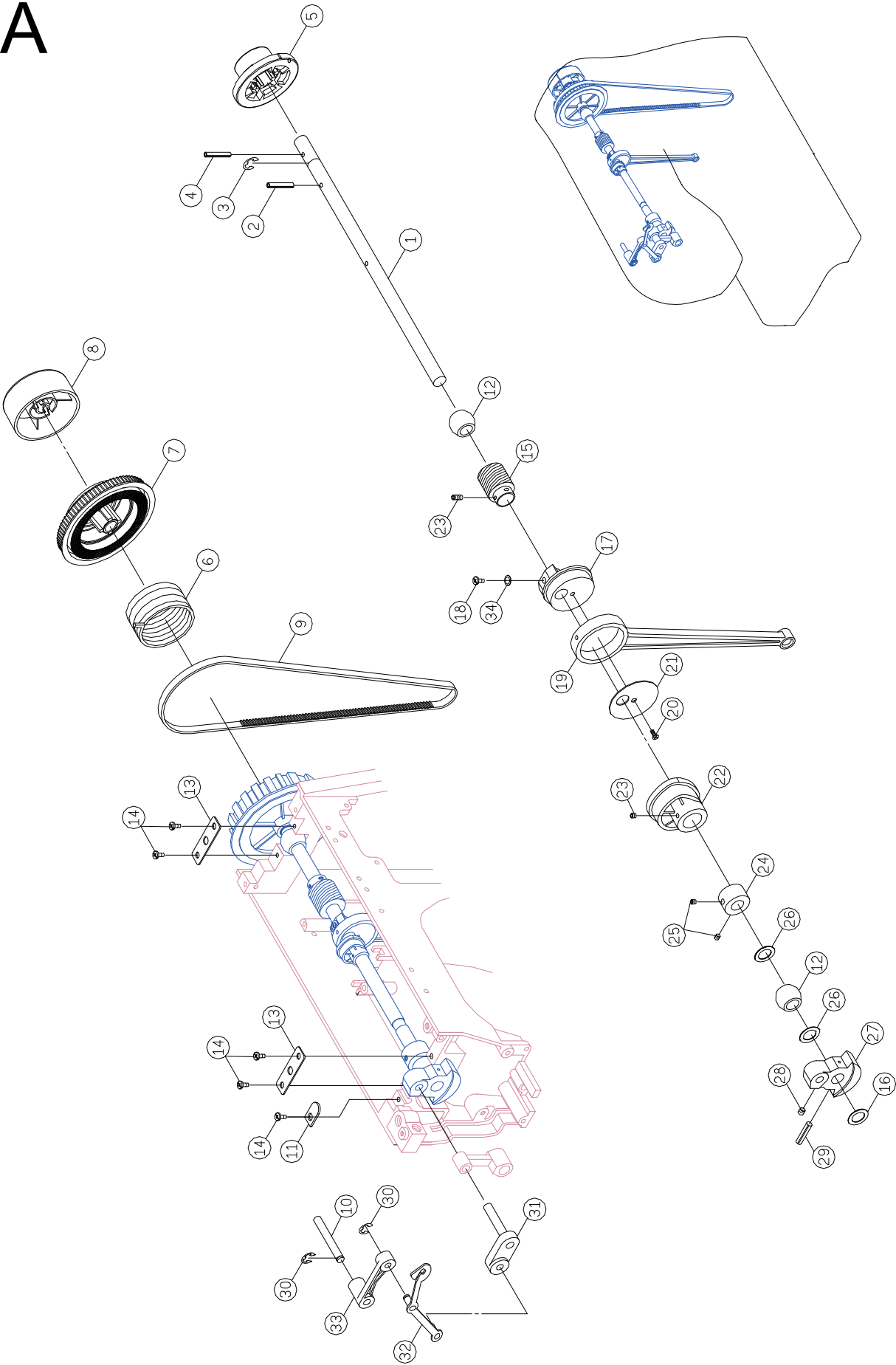
2277

2282



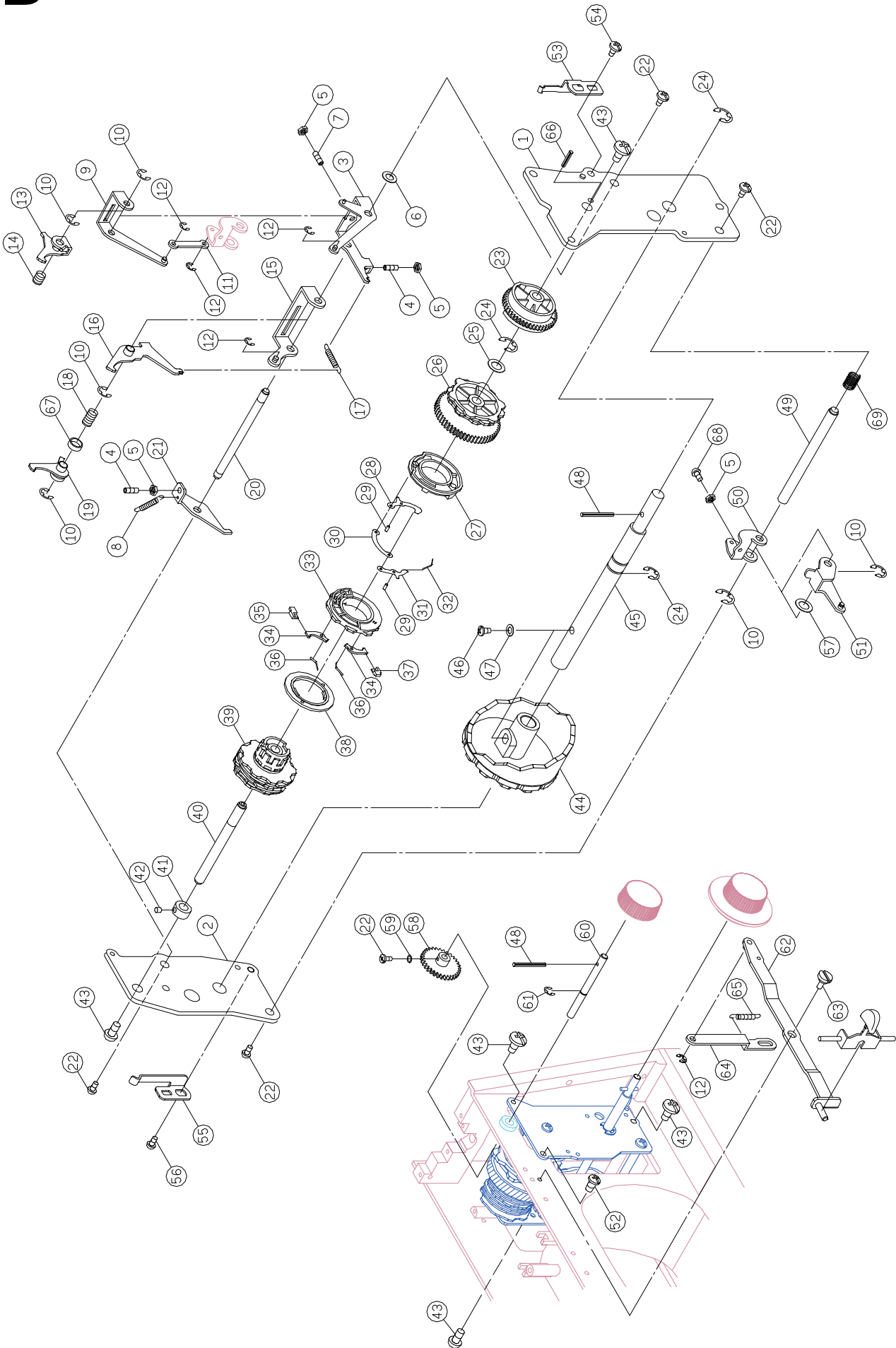
Liste de pièces Lista de Piezas Parts List

A



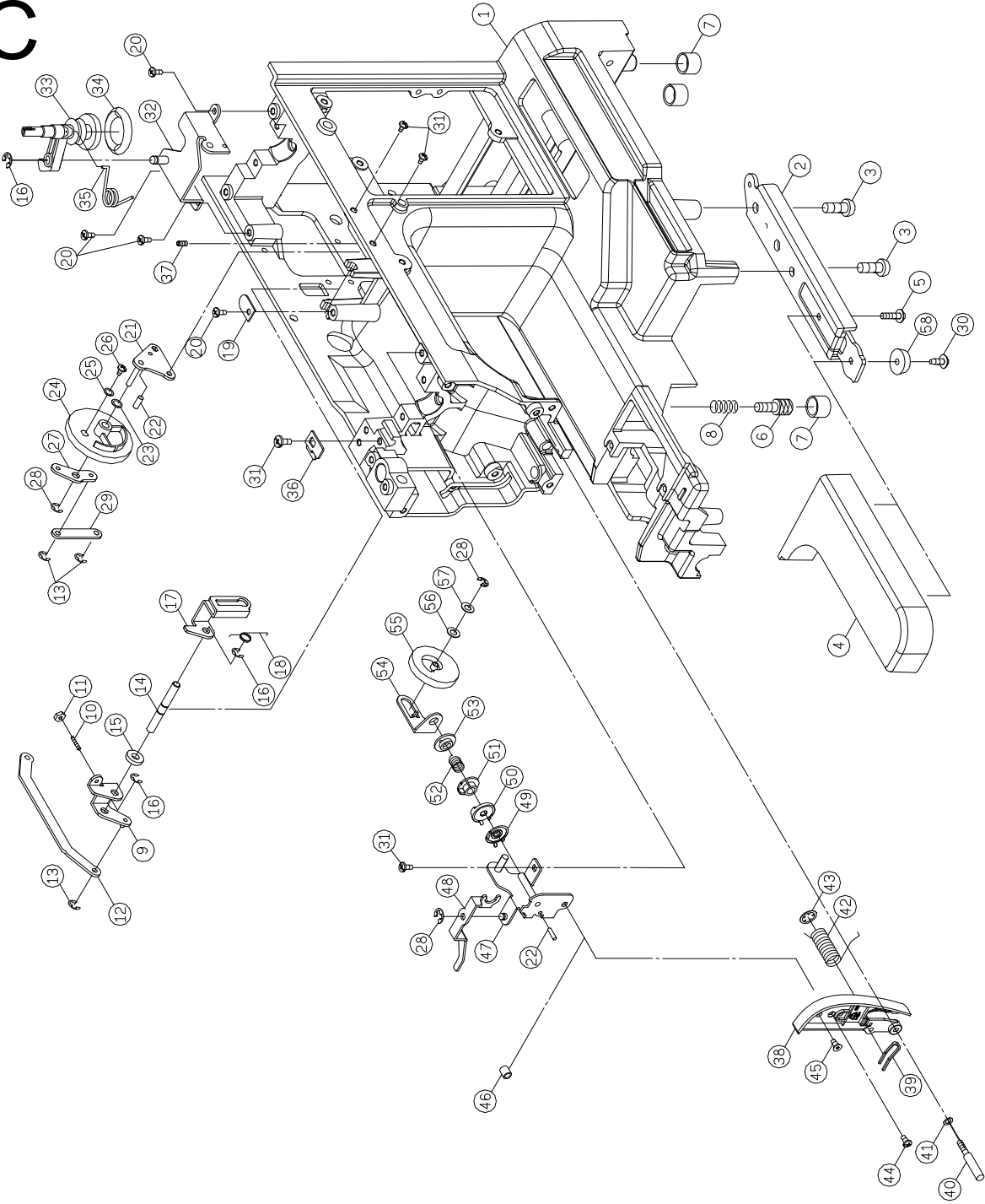
| Pos | Part No. | Description |
|-----|----------------|---------------------------------------|
| 1 | | Arm shaft |
| 2 | | Spring pin 3×28□ |
| 3 | 416542901 | E-Ring□ETW-8□ |
| 4 | | Spring pin□□3×30□ |
| 5 | | Arm shaft collar |
| 6 | | Arm shaft clutch annulus spring |
| 7 | 68003212 | Arm shaft drive belt pulley |
| 8 | 270 K6B0273210 | Hand wheel |
| 9 | 270 007158XXL5 | Motor drive belt |
| 10 | | Thread take up lever supporter shaft |
| 11 | | Set washer |
| 12 | | Arm shaft busing |
| 13 | | Arm shaft bushing holder plate |
| 14 | | Set screw□M4×8A□ |
| 15 | | Arm shaft worm |
| 16 | | Endure attrition washer(6.2*12*0.25) |
| 17 | | Crank connecting rod cam |
| 18 | | Set screw□11/64×40×12□ |
| 19 | | Crank connecting rod |
| 20 | | Set screw (M4x6B) |
| 21 | | Crank connecting rod cover |
| 22 | | Feed cam |
| 23 | | Set screw□M4×4□ |
| 24 | | Arm shaft collar |
| 25 | | Set screw□M5×5□ |
| 26 | | Endure attrition washer (10.2×15×0.5) |
| 27 | | Arm shaft balance |
| 28 | | Set screw□M4×6□ |
| 29 | | Arm shaft balance pin (□3.5×24) |
| 30 | | E-Ring□ETW-4□ |
| 31 | | Arm shaft balance pin |
| 32 | | Thread take up lever |
| 33 | | Thread take up lever supporter |
| 34 | | Washer(4.2*7.2*1.2) |

B



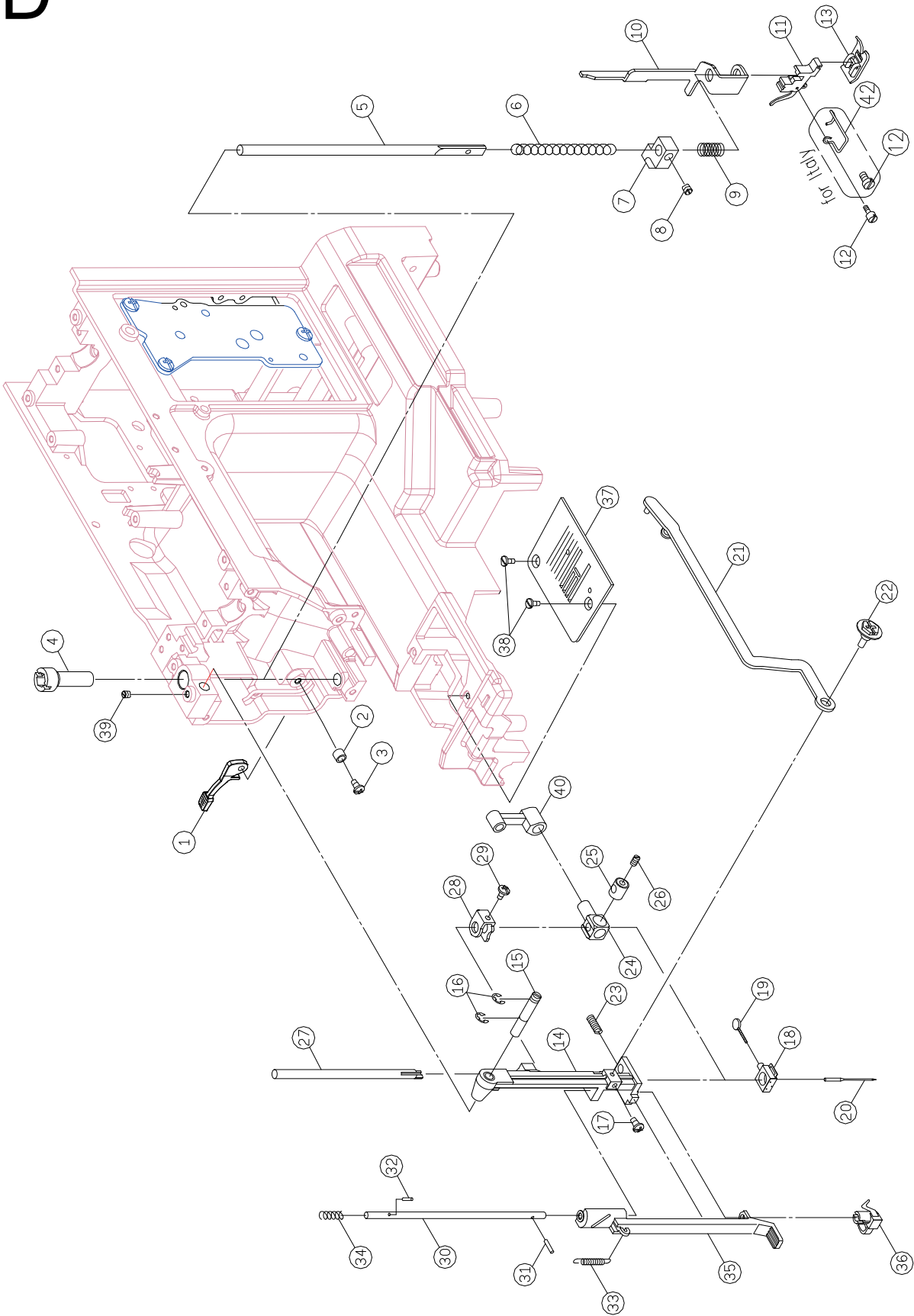
| Pos | Part No. | Description |
|-----|----------|-------------------------------------|
| 1 | | Pattern cam contact plate (front) |
| 2 | | Pattern cam contact plate (back) |
| 3 | | BH adjusting crank |
| 4 | | Set screw (M4×0.7 L9) |
| 5 | | Nut□ALN-4□ |
| 6 | | Washer |
| 7 | | Set screw (M4×0.7 L12) |
| 8 | | Zig zag release plate spring |
| 9 | | SS cam contact supporter |
| 10 | | E-Ring□ETW-5□ |
| 11 | | Feed rock shaft |
| 12 | | E-Ring (ETW-3) |
| 13 | | SS cam contact |
| 14 | | SS cam contact spring |
| 15 | | Zig zag cam contact supporter |
| 16 | | BH Feed crank |
| 17 | | BH Feed crank spring |
| 18 | | Zig zag cam contact spring |
| 19 | | Zig zag cam contact |
| 20 | | Zig zag cam contact supporter shaft |
| 21 | | Zig zag release plate |
| 22 | | Set screw |
| 23 | | Feed regulator cam |
| 24 | | E-Ring□ETW-6□ |
| 25 | | Washer |
| 26 | | SS cam |
| 27 | | BH feed regulator cam |
| 28 | | BH clutch contact A |
| 29 | | BH clutch shaft |
| 30 | | BH clutch lever |
| 31 | | BH clutch contact B |
| 32 | | BH clutch spring plate |
| 33 | | BH cam |
| 34 | | BH contact |
| 35 | | BH slide block R |
| 36 | | BH contact spring plate |
| 37 | | BH slide block L |
| 38 | | Straight stitch cam |
| 39 | | Pattern cam |
| 40 | | Pattern cam shaft |
| 41 | | Pattern cam shaft collar |
| 42 | | Set screw |
| 43 | | Set screw |
| 44 | | Pattern selector cam |
| 45 | | Pattern selector cam shaft |
| 46 | | Set screw (M3×10) |
| 47 | | Washer |
| 48 | | Spring pin (ø2.5×16) |
| 49 | | Feed crank shaft |
| 50 | | Feed adjusting crank |
| 51 | | Crank shaft |
| 52 | | Set screw (M4×8) |
| 53 | | Feed regulator fix plate |
| 54 | | Set screw (M4×4) |
| 55 | | Pattern fix spring plate |
| 56 | | Set screw (M4×5) |
| 57 | | Washer |
| 58 | | Feed regulator gear |
| 59 | | Washer (3.2×8×0.8) |
| 60 | | Feed regulator dial shaft |
| 61 | | E-Ring (ETW-5) |
| 62 | | Reverse lever |
| 63 | | Set screw |
| 64 | | Reverse rod |
| 65 | | Auto threaded lever spring |
| 66 | | Spring pin |
| 67 | | Spring pedestal |
| 68 | | Set screw (M4×10) |
| 69 | | Tension lever lifter spring |
| #1 | | Pattern cam shaft collar complete |
| #2 | | BH cam complete |

C

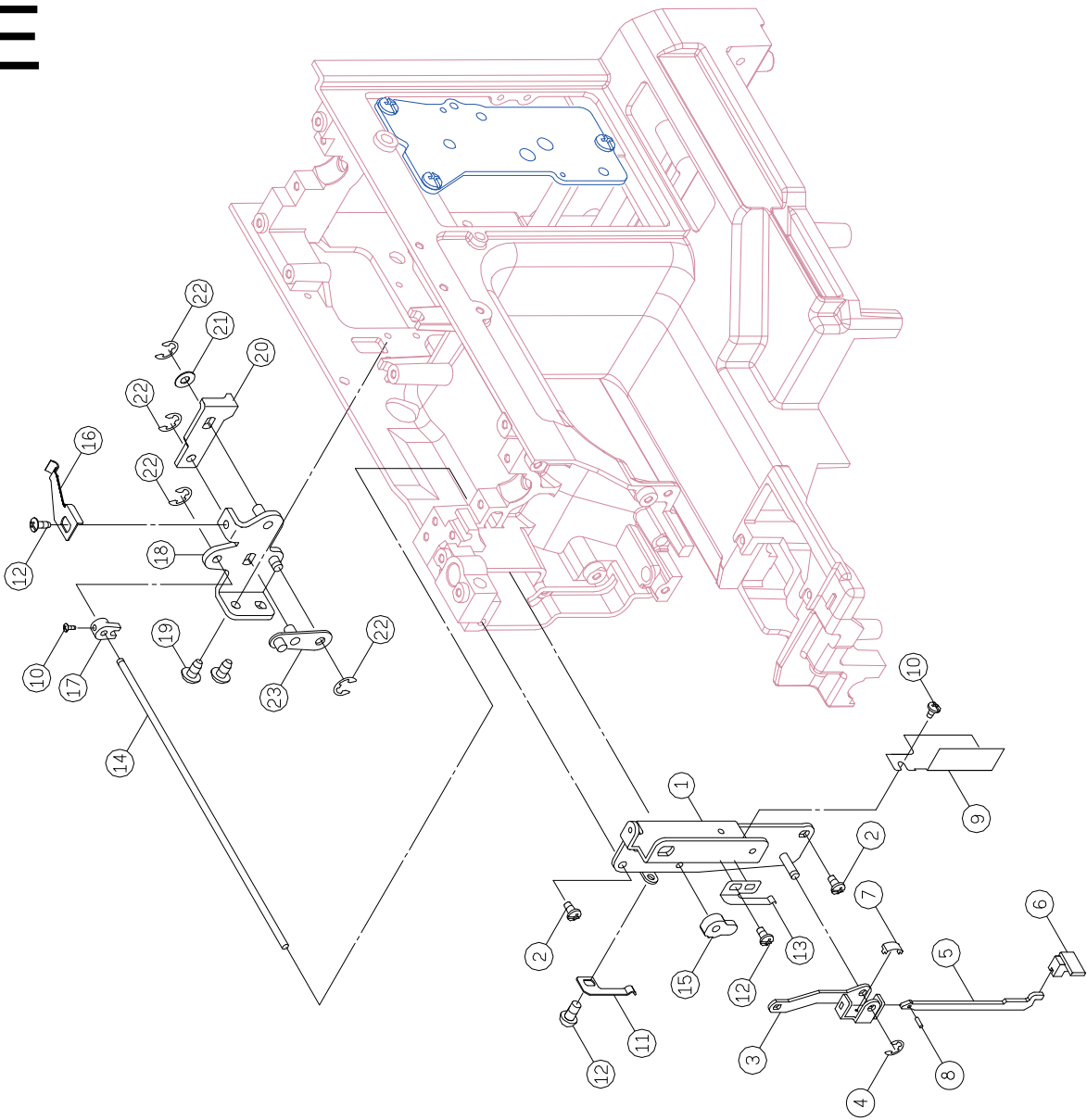


| Pos | Part No. | Description |
|-----|----------------|-------------------------------------|
| 1 | | Arm |
| 2 | | Free arm foot |
| 3 | | Set screw (M6×10 B) |
| 4 | | Free arm foot base |
| 5 | | Set screw □M3×8.5 □ |
| 6 | | Base plate adjustment screw |
| 7 | 416526101 | Free arm base cushion rubber |
| 8 | | Spring |
| 9 | | Zig zag regulator crank |
| 10 | | Set screw |
| 11 | | Nut |
| 12 | | Rod |
| 13 | | E-ring |
| 14 | | Zig zag cam contact supporter shaft |
| 15 | | Washer (□14*□6.2*3) |
| 16 | | E-Ring (ETW-5) |
| 17 | | Zig zag width regulating cam box |
| 18 | | Zig zag width spring |
| 19 | | Set washer |
| 20 | | Set screw |
| 21 | | Zig zag width dial plate |
| 22 | | Hand wheel bushing pin (3*10) |
| 23 | | Washer |
| 24 | | Zig zag width dial 2273 |
| 25 | | Washer (4.2*10*0.5) |
| 26 | | Set screw (M4*10) |
| 27 | | Zig zag width crank |
| 28 | | E-ring |
| 29 | | Zig zag width crank rod |
| 30 | | Set screw □M3×12 □ |
| 31 | | Set screw |
| 32 | | Bobbin winder frame plate |
| 33 | 416700601 | Bobbin winder crank complete |
| 34 | 416149201 | Bobbin winder rubber pulley |
| 35 | 270 K6A0573003 | Bobbin winder crank spring |
| 36 | | Tension lever regulating plate |
| 37 | | Set screw (M4*6) |
| 38 | | Dial tension supporter plate cover |
| 39 | 416198701 | Thread guide |
| 40 | | Set screw |
| 41 | | Washer |
| 42 | 416162601 | Dial tension spring |
| 43 | | Thread guide spring washer (C-5) |
| 44 | | Set screw (M4*15) |
| 45 | | Set screw (M4*6) |
| 46 | | Dial tension guide spring tube |
| 47 | | Dial tension supporter plate |
| 48 | | Dial tension waft plate |
| 49 | 416153601 | Dial tension disc (1) |
| 50 | 416146301 | Dial tension disc |
| 51 | 416412001 | Dial tension spring regulator |
| 52 | 416155901 | Dial tension spring |
| 53 | 416153801 | Dial tension regulator |
| 54 | | Dial tension spring plate |
| 55 | | Dial tension knob 2273 |
| 56 | | Washer (WW-5) |
| 57 | | Washer (5.2*10*0.5) |
| 58 | 270 F31103000 | Free arm vase cushion rubber |

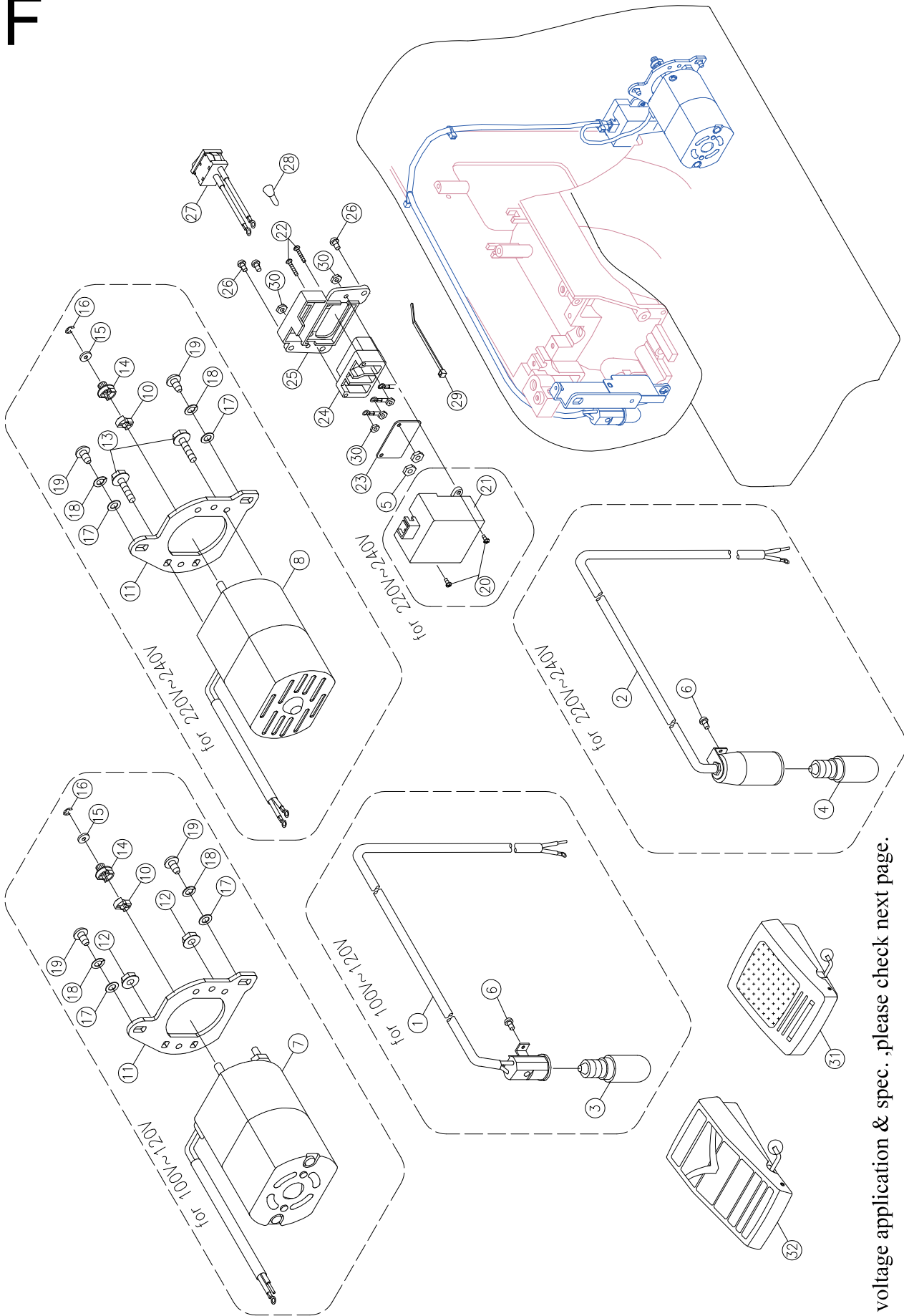
D



| Pos | Part No. | Description |
|-----|-----------|---------------------------------------|
| 1 | 416466901 | Presser bar lifter lever |
| 2 | | Presser bar lifter lever screw washer |
| 3 | | Set screw |
| 4 | | Presser bar regulating screw |
| 5 | | Presser bar |
| 6 | | Presser bar spring |
| 7 | | Presser bar bracket |
| 8 | | Set screw □M6×5 □ |
| 9 | | Tension lever lifter spring |
| 10 | | Tension lever lifter |
| 11 | 416128201 | Shank complete |
| 12 | 416118401 | Set screw (9/64×40×7.5) |
| 13 | 416128401 | Zig zag presser foot complete |
| 14 | | Needle bar supporter |
| 15 | | Needle bar supporter pin |
| 16 | | E-Ring □ETW-5 □ |
| 17 | | Set screw □9/64×40×6 □ |
| 18 | 416245301 | Needle clamp |
| 19 | | Needle clamp screw |
| 20 | | Needle (for Singer) |
| 21 | | Needle bar driving rod |
| 22 | | Needle bar driving rod pin |
| 23 | | Needle bar supporter spring |
| 24 | | Needle bar bracket (1) |
| 25 | | Needle bar bracket (2) |
| 26 | | Set screw □M4×0.7×4 C □ |
| 27 | | Needle bar |
| 28 | | Auto threader stopper |
| 29 | | Set screw (M3×6) |
| 30 | | Auto threader shaft |
| 31 | | shaft pin (□2×6) |
| 32 | | Auto threader shaft pin (□2×14) |
| 33 | | Auto threader lever spring |
| 34 | | Auto threader shaft spring |
| 35 | | Auto thread lever |
| 36 | 416145801 | Auto threader |
| 37 | 416171501 | Needle plate |
| 38 | 416122901 | Set screw (M4×6) |
| 39 | | Set screw |
| 40 | 416235801 | Needle bar crank rod |
| #1 | | Needle bar bracket complete |
| #2 | 416245301 | Needle clamp complete |



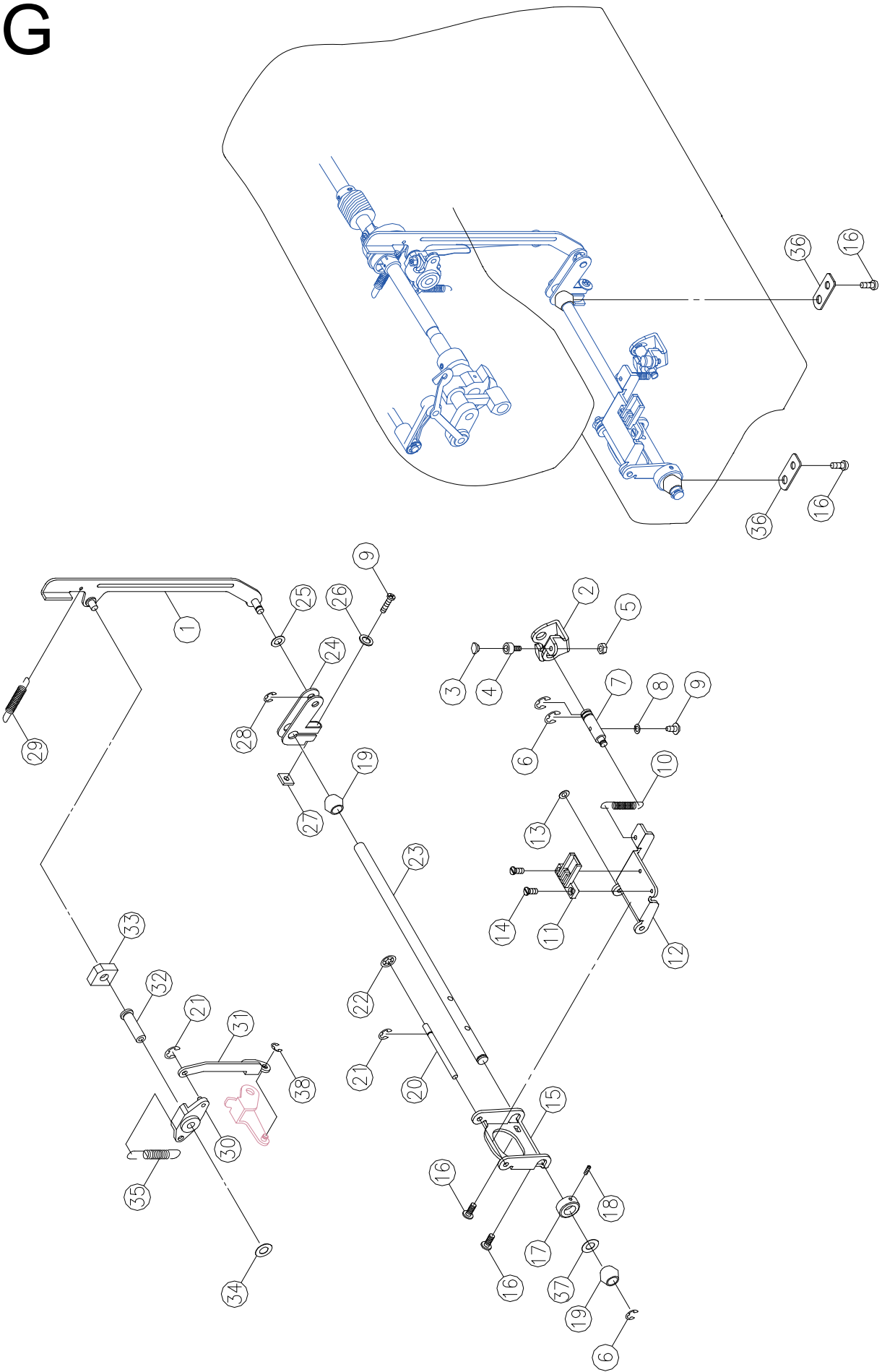
| Pos | Part No. | Description |
|-----|----------|-----------------------|
| 1 | | BH Lever Plate |
| 2 | | Set Screw □M4×6B □ |
| 3 | | BH Lever Crank |
| 4 | | E-Ring □ETW-3 □ |
| 5 | | BH lever |
| 6 | | BH lever button |
| 7 | | BH lever spring plate |
| 8 | | PIN (□1.6X5X0.3) |
| 9 | | Shield |
| 10 | | Set screw |
| 11 | | BH positioned plate |
| 12 | | Set screw |
| 13 | | BH positioned plate |
| 14 | | BH select crank shaft |
| 15 | | BH movement crank |
| 16 | | BH cam plate |
| 17 | | BH select crank |
| 18 | | BH selector plate |
| 19 | | Set screw (M4*8A) |
| 20 | | BH slide plate |
| 21 | | Washer □4.2×9×0.5 □ |
| 22 | | E-Ring □ETW-3 □ |
| 23 | | BH Selector Plate |



All voltage application & spec. ,please check next page.

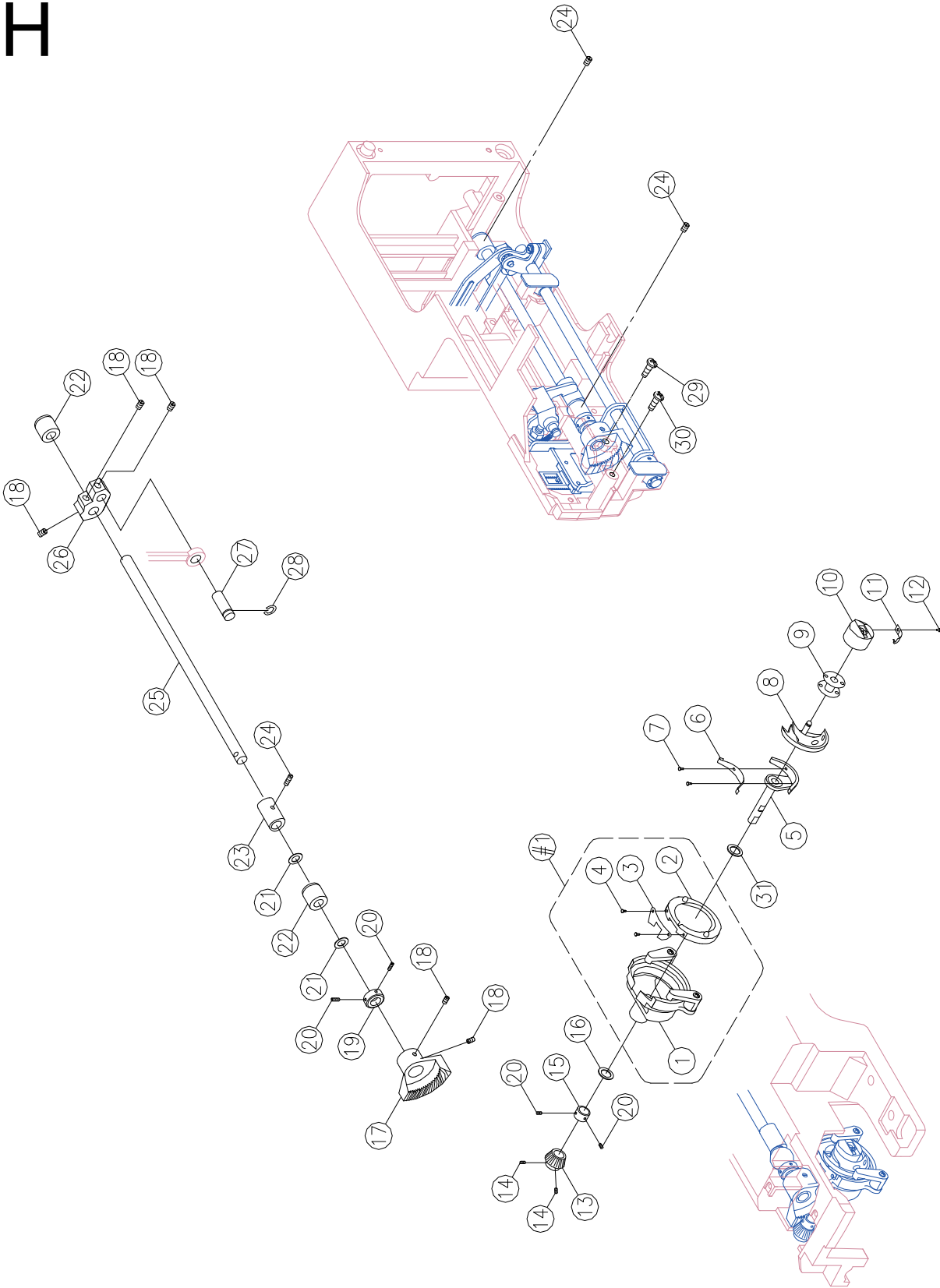
| Pos | Part No. | Description |
|-----|----------------|--|
| 1 | | Lamp holder complete (only for 120V) |
| 2 | | Lamp holder complete (only for 220V-240V) |
| 3 | 416126901 | Lamp (120V 10W) |
| 4 | 416127001 | Lamp (240V 15W E-12) |
| 5 | | Nut (M3 t=2.3) |
| 6 | | Set screw (M3*5 B) |
| 7 | 416528001 | Motor complete HF-07150 for 110~120V / US |
| 7 | | Motor complete HF-07150 for 110V / TAIWAN |
| 8 | 416430001 | Motor complete HF-07250 for 230V / E.U.R |
| 8 | 270 001V881005 | Motor complete HF-07250 for 240V /AUS |
| 8 | 270 001V881001 | Motor complete HF-07250 FOR 220V /KOREA |
| 8 | 416528301 | Motor complete HF-07250 FOR 240V /U.K |
| 9 | | Belt wheel complete |
| 10 | | Cushion rubber |
| 11 | | Motor bracket |
| 12 | | Nut (M4 t=5.5) |
| 13 | | Set screw (M4*10.2) |
| 14 | | Belt wheel |
| 15 | | Motor feed regulator collar |
| 16 | | E-Ring (ETW-3) |
| 17 | | Washer (5.4*10*0.9) |
| 18 | | Spring washer (5.2*9*1) |
| 19 | | Set screw (M5*12) |
| 20 | | Set screw (M3*8 B) |
| 21 | | Receptacle holder cover |
| 22 | | Set screw (M3*20) |
| 23 | | Concert insulation plate |
| 24 | | Receptacle |
| 25 | | Receptacle holder |
| 26 | | Set screw (M4*8) |
| 27 | 416115001 | Switch ass'y |
| 28 | | End termed |
| 29 | | Cord clip |
| 30 | | Nut (M3*4) |
| 31 | 68001147 | Foot controller (KD-2902) for 230V / E.U.R |
| 31 | 416183701 | Foot controller (KD-2902) for 240V /AUS |
| 31 | | Foot controller (KD-2902) for 230V / ARGENTINA |
| 31 | 416112701 | Foot controller (KD-2902) for 240V / U.K |
| 31 | 270 002V881004 | Foot controller (KD-2902) for 220V / KOREA |
| 32 | 270 002V8E4003 | Foot controller for 120V / US |
| 32 | | Foot controller (KD-1902) for 100V / BRAZIL |

G

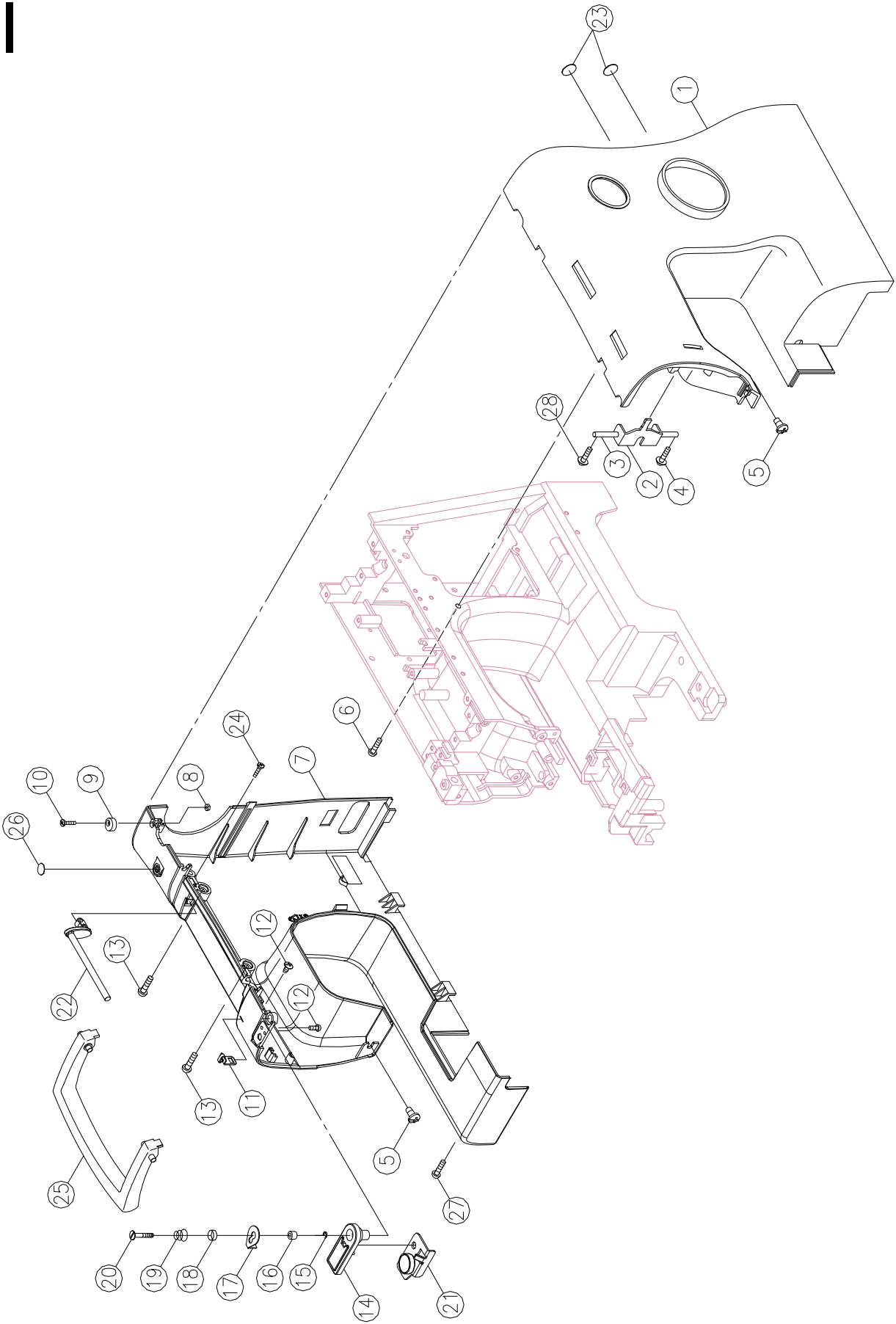


| Pos | Part No. | Description |
|-----|-----------|--|
| 1 | | Fork rod |
| 2 | | Feed lifting rock crank |
| 3 | | Sew screw knob |
| 4 | | Sew screw |
| 5 | | Nut (M4 t=3) |
| 6 | | E-Ring□ETW-6□ |
| 7 | | Feed lifting rock shaft |
| 8 | | Spring washer (4.2×7.2×1.2) |
| 9 | | Set screw (M4x15B) |
| 10 | | Feed dog frame spring |
| 11 | 416171601 | Feed dog |
| 12 | | Feed dog frame |
| 13 | | Washer□4.2×8×0.8□ |
| 14 | | Set screw (M3x5B) |
| 15 | | Feed rock frame |
| 16 | | Set screw□M4×8A□ |
| 17 | | Pattern cam shaft collar |
| 18 | | Set screw□M4×4□ |
| 19 | | Lower shaft bushing |
| 20 | | Feed dog frame shaft |
| 21 | | E-Ring□ETW-3) |
| 22 | | Nut (SPN-4) |
| 23 | | Feed rock shaft |
| 24 | | Feed rock crank |
| 25 | | Endure attrition washer (5.7*10.5*0.5) |
| 26 | | Washer□4×8×0.5□ |
| 27 | | Feed rock crank Nut (M4) |
| 28 | | E-Ring□ETW-4□ |
| 29 | | Fork rod spring |
| 30 | | Feed regulating |
| 31 | | Feed rod |
| 32 | | Feed regulating shaft |
| 33 | | Feed regulating block |
| 34 | | Endure attrition washer (5.5*12*0.25) |
| 35 | | Feed regulating spring |
| 36 | | Bushing holder plate |
| 37 | | Endure attrition washer (8.2*12*0.25) |
| 38 | | E-Ring□ETW-4□ |

H

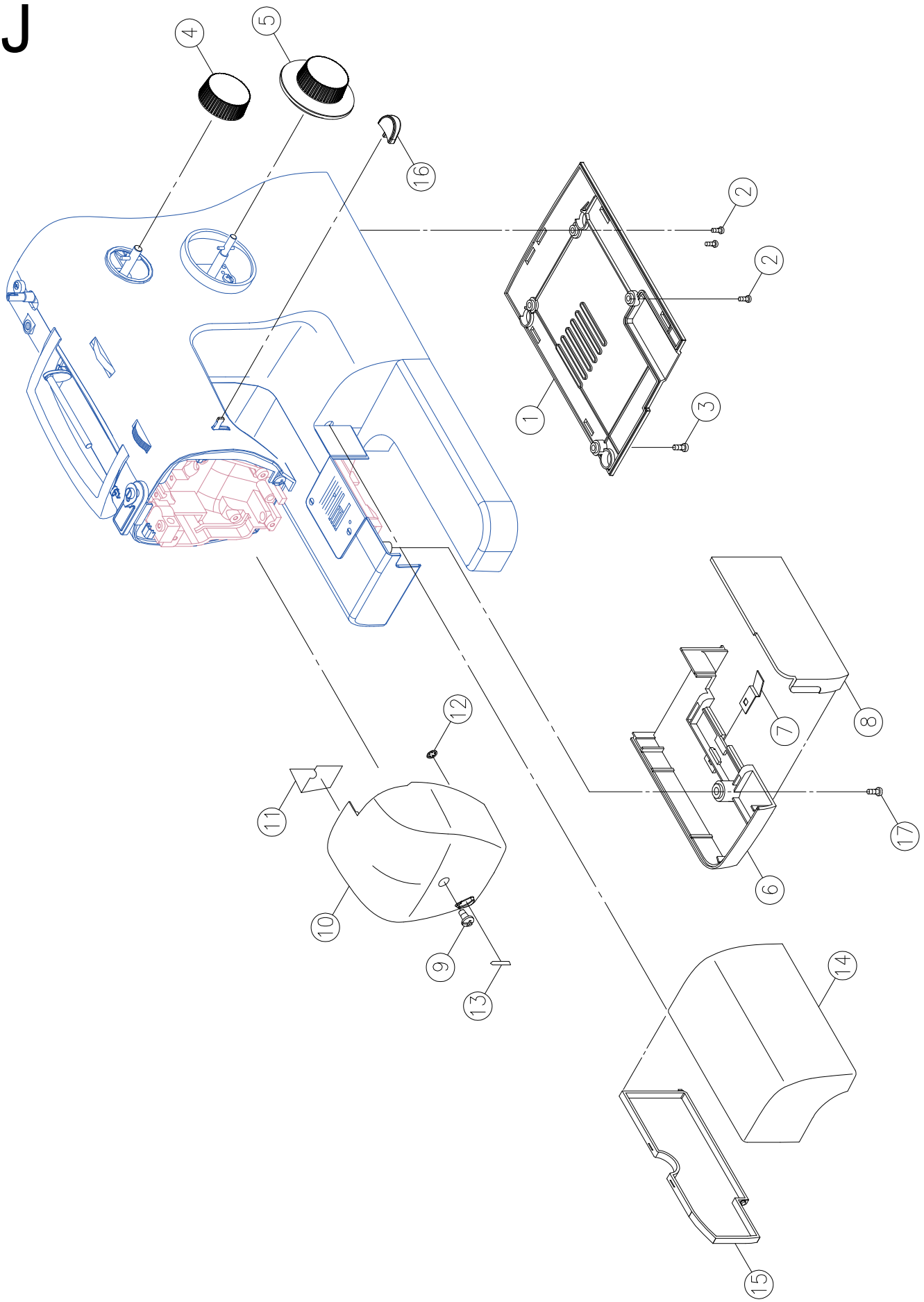


| Pos | Part No. | Description |
|-----|-----------|---------------------------------------|
| 1 | | Open shuttle race |
| 2 | | Shuttle hook holder |
| 3 | | Shuttle hook holder spring |
| 4 | | Shuttle hook holder spring screw |
| 5 | | Shuttle driver |
| 6 | | Shuttle driver spring |
| 7 | | Shuttle driver spring screw |
| 8 | 416392101 | Shuttle hook (4.6mm) |
| 9 | 68000175 | Bobbin |
| 10 | 416153401 | Bobbin case cpl |
| 11 | | Bobbin case spring |
| 12 | | Bobbin case spring set screw |
| 13 | | Shuttle driver shaft gear |
| 14 | | Set screw (11/64×40×4) |
| 15 | | Shuttle driver shaft collar |
| 16 | | Endure attrition washer (8.6x12x0.5) |
| 17 | | Lower shaft gear |
| 18 | | Set screw (M5*5) |
| 19 | | Lower shaft collar |
| 20 | | Set screw□M4×4□ |
| 21 | | Endure attrition washer (8.2×12×0.25) |
| 22 | | Lower shaft bushing |
| 23 | | Feed lifting rock cam |
| 24 | | Set screw□M4×6□ |
| 25 | | Lower shaft |
| 26 | | Crank connecting rod crank |
| 27 | | Crank connecting rod crank pin |
| 28 | | E-Ring□ETW-5□ |
| 29 | | Set screw(M5*10 B) |
| 30 | | Set screw(M4*10B) |
| 31 | | Endure attrition washer (7.6×12×0.13) |
| #1 | 68000176 | Open shuttle race complete |



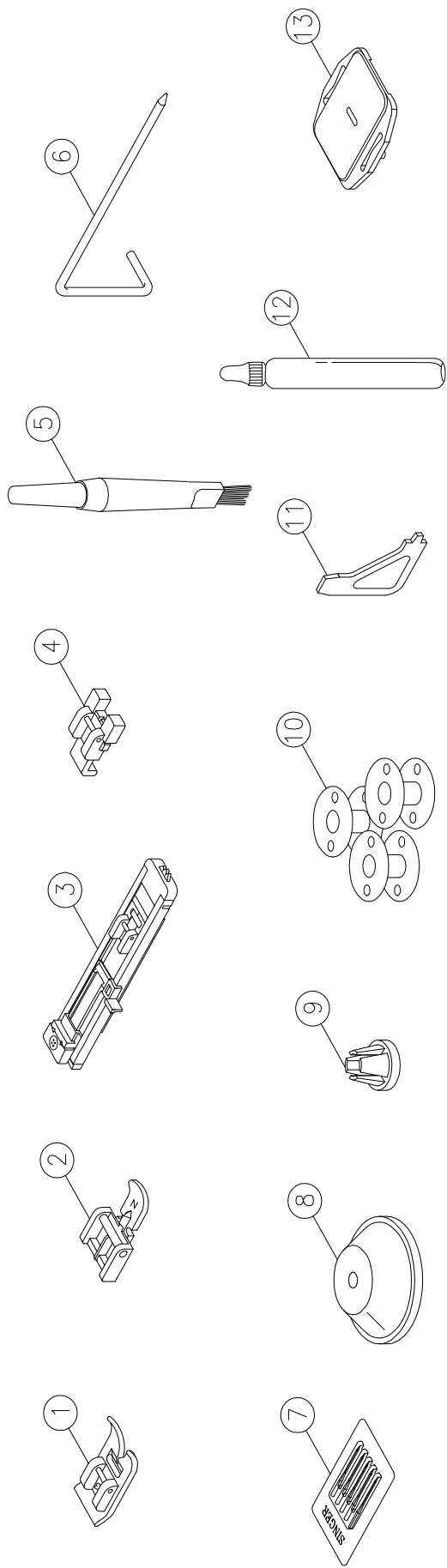
| Pos | Part No. | Description |
|-----|----------------|--------------------------------------|
| 1 | | Front cover 2273-2277-2282 |
| 2 | | Reverse Dial Support Plate |
| 3 | | Reverse Dial Support Shaft |
| 4 | | Set screw |
| 5 | | Set screw |
| 6 | | Set screw |
| 7 | | Back cover |
| 8 | | Nut |
| 9 | 416554101 | Bobbin winder |
| 10 | | Set screw |
| 11 | | Thread guide |
| 12 | | Set screw |
| 13 | | Set screw |
| 14 | 416199201 | Bobbin winder thread guide base |
| 15 | | E-Ring □ETW-3□ |
| 16 | | Spacer |
| 17 | 416199301 | Bobbin winder thread guide |
| 18 | | Bobbin winder spring disc |
| 19 | | Bobbin winder thread guide spring |
| 20 | | Bobbin winder thread guide adjusting |
| 21 | 270 V6E0395000 | Arm Top Cover Thread guide cpl |
| 22 | 270 K6B0383210 | Spool pin base |
| 23 | | Front cover plate (1) |
| 24 | | Set screw |
| 25 | 416429101 | Handle |
| 26 | | Plate |
| 27 | | Set screw |
| 28 | | Set screw |

J

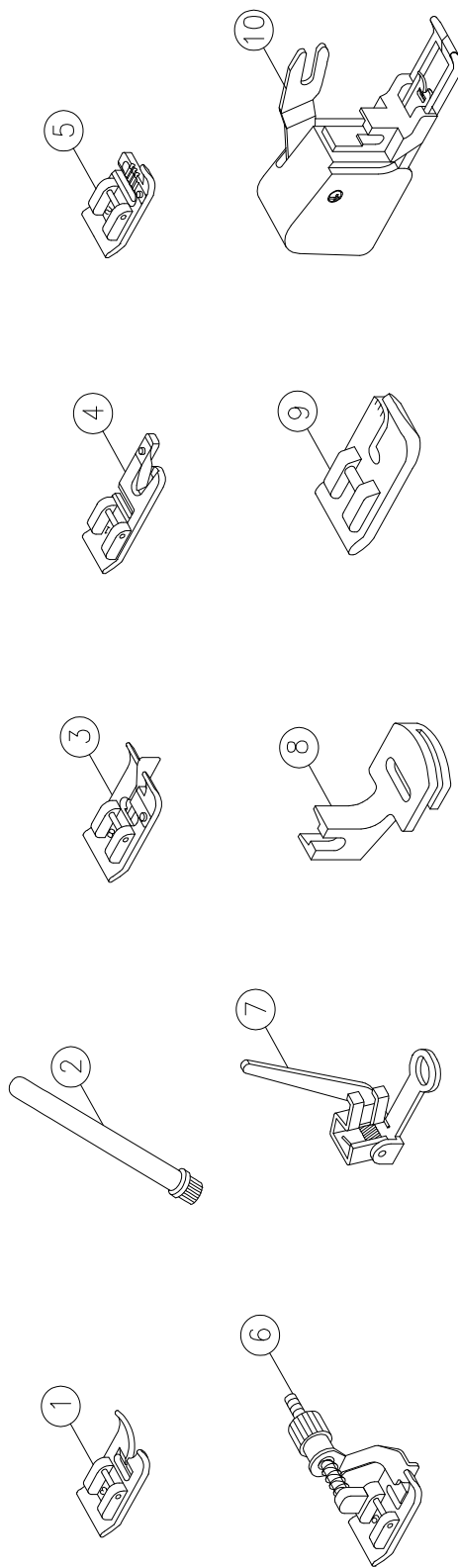


| Pos | Part No. | Description |
|-----|-----------|------------------------------|
| 1 | | Plate |
| 2 | | Set screw |
| 3 | | Set screw |
| 4 | | Feed regulator dial 2273 |
| 5 | | Selector dial 2273 |
| 6 | | Bed cover |
| 7 | | Hook cover spring |
| 8 | | Hook cover |
| 9 | | Set screw (M4*10A) |
| 10 | | Face plate |
| 11 | | Heat resistant plate |
| 12 | | Washer |
| 13 | 416172501 | Cutter |
| 14 | | Sewing table body |
| 15 | | Sewing table body cover 2273 |
| 16 | | Reverse button 2273 |
| 17 | | Set screw (M4*10B) |

Standard accessories



Optional accessories



| Pos | Part No. | Description |
|-----|-----------|----------------------------------|
| 1 | 416128401 | Zigzag presser foot complete (J) |
| 2 | 416128701 | Zipper foot (I) |
| 3 | 68003698 | Buttonhole foot |
| 4 | 416284501 | Button sewing foot |
| 5 | 416127701 | Brush & Seam ripper complete |
| 6 | 416127101 | Seam guide |
| 7 | | Pack needles (for Singer) |
| 8 | 416500701 | Spool holder (large) |
| 9 | 416500801 | Spool holder (small) |
| 10 | 68000175 | Bobbin |
| 11 | 68000177 | Screwdriver |
| 12 | | Oil bottle |
| 13 | 416127901 | Embroidery plate |