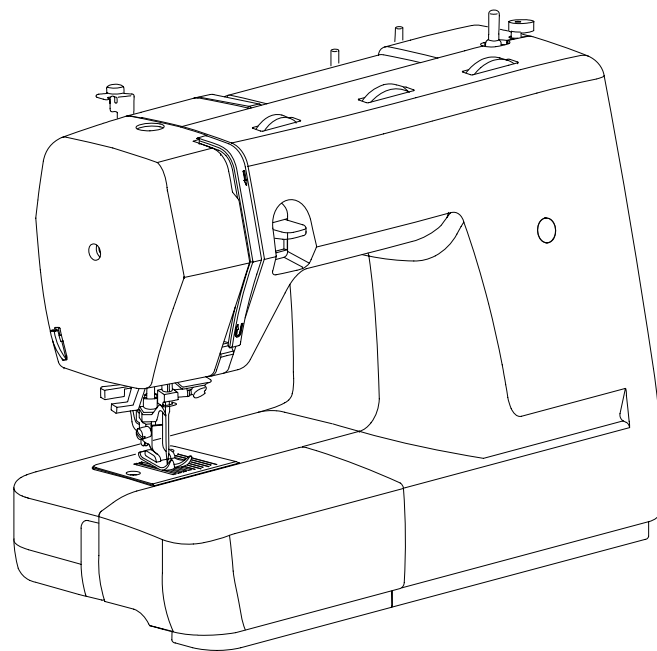
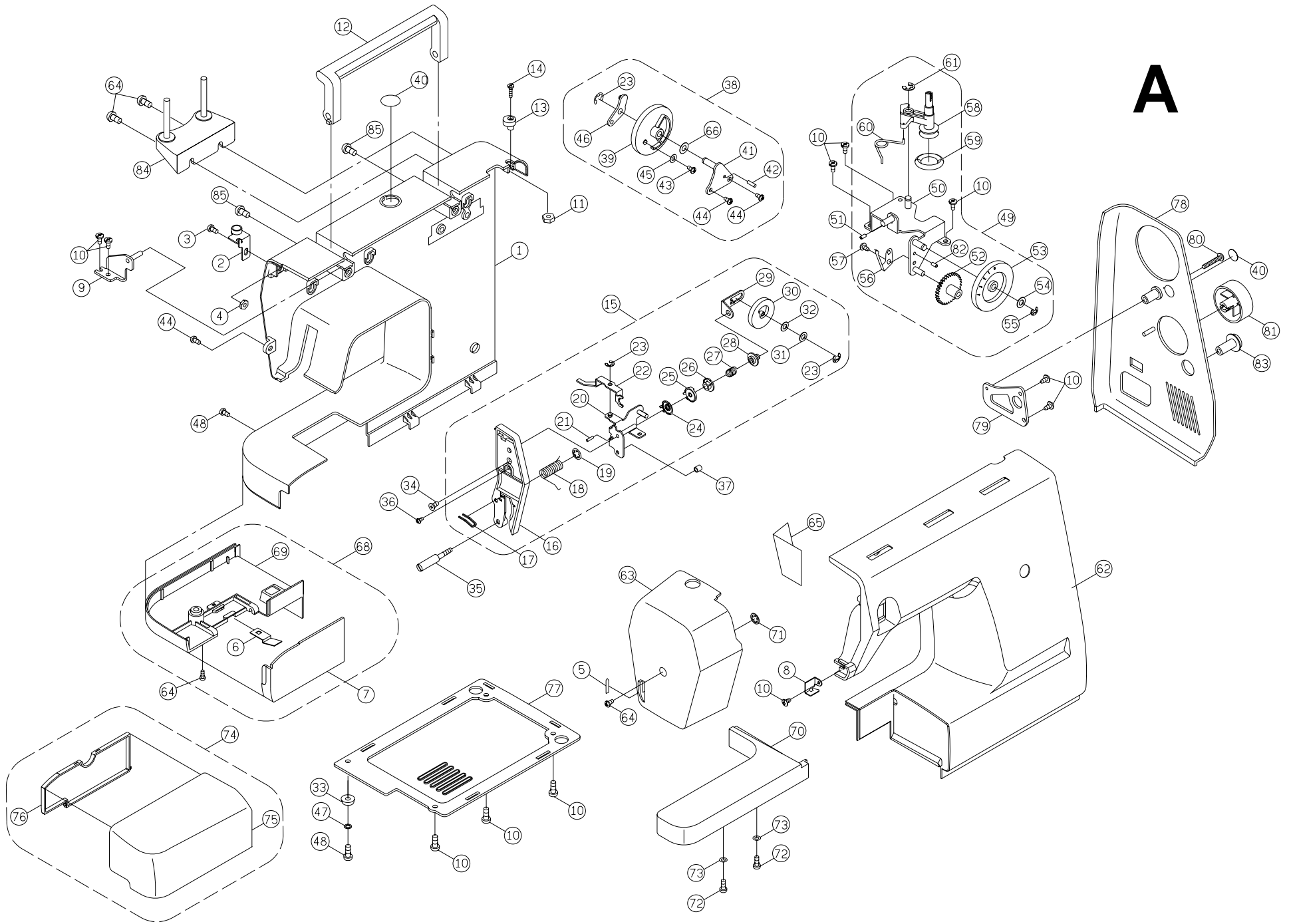


Parts List



SINGER
Model 1732

A



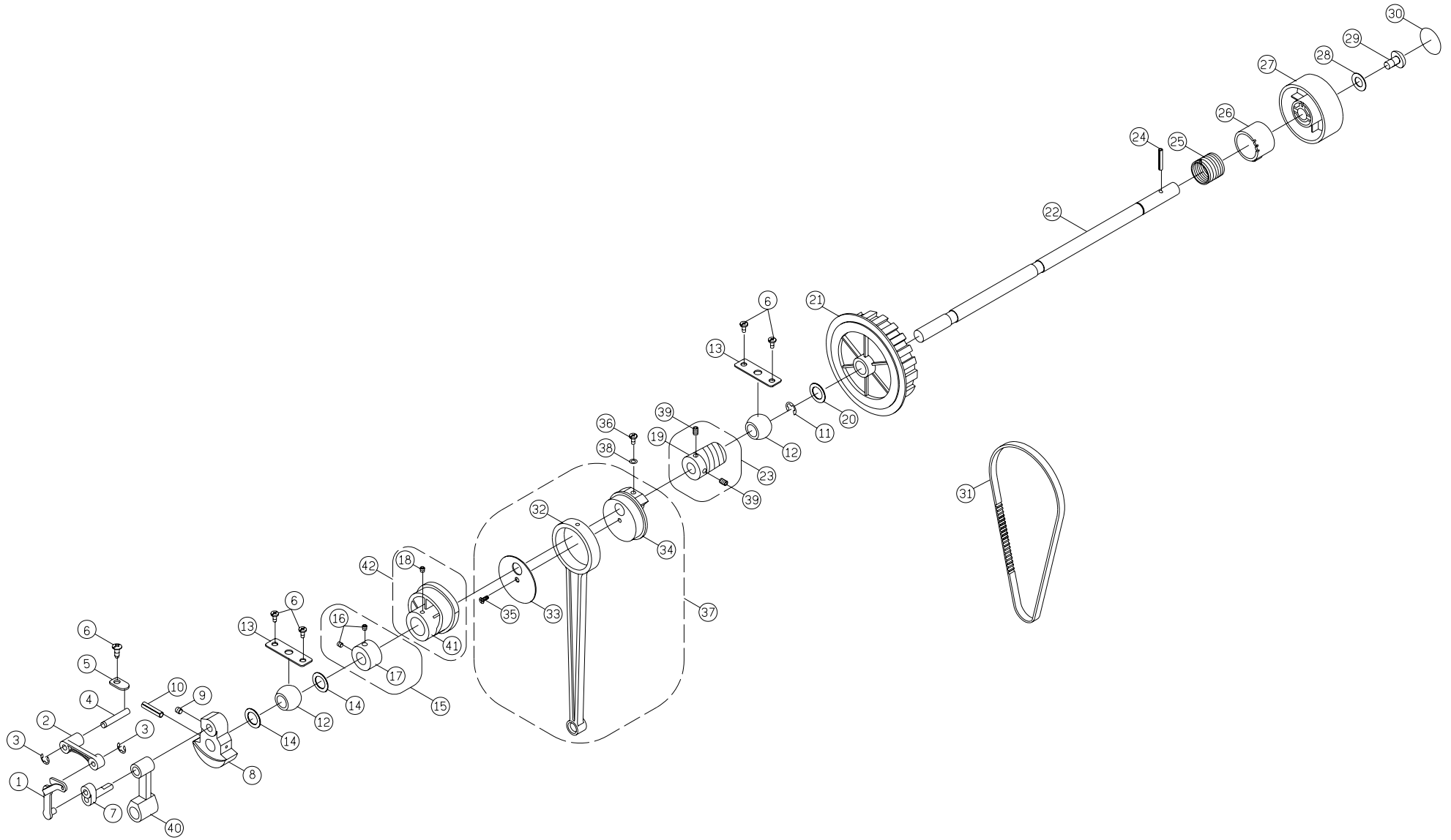
No.	Part No.	Description
1	G4EB003209	Back cover
2	V61325000	Bobbin winder thread guide complete
3	004106111*	Set screw (9/64×40×7)
4	004706026*	Nut (9/64×40 平 8)
5	V630593000	Thread cutter
6	R12453002	Hook cover spring
7	G4A0173209	Hook cover
8	F4A0643001	Arm top cover thread guide plate
9	V61253006	Arm top cover plate
10	004240106*	Set screw (M4×8 A)
11	004706013*	Nut (9/64×40 t=3)
12	V61273209	Handle
13	E1A2393000	Bobbin winder stopper
14	004106162	Set screw (9/64×40×16)
15	G4E0044209	Dial tension complete
16	G4A0133209	Dial tension supporter plate cover
17	V61873000	Thread guide
18	E1A2073000	Thread guide spring
19	003020453	CS-ring (CSTW-4.5)
20	V60243002	Dial tension supporter plate
21	003043010	Spring pin (φ3×10×0.6)
22	G4A1563003	Dial tension waft plate
23	003010043*	E-Ring (ETW-4)
24	J30423001	Dial tension disc (1)
25	J30433001	Dial tension disc (2)
26	R10593000	Dial tension spring regulator
27	K50183003	Dial tension spring
28	K50193000	Dial tension regulator
29	V60273006	Dial tension spring plate
30	G4DA003209	Dial tension knob
31	004300713*	Washer (5.2×10×0.2)
32	004500360*	Washer (WW-5)
33	J31413000	Free arm base felt
34	004240176*	Set screw (M4×6 D)
35	004240982*	Set screw (M4)

No.	Part No.	Description
36	004240146*	Set screw (M4×15 B)
37	H11103001	Dial tension guide spring tube
38	G4B8784209	Zig zag width dial complete
39	G4B8783209	Zig zag width cam complete
40	V61503209	Plate
41	E3A0113006	Zig zag width dial plate
42	003043010	Spring pin (φ3×10×0.6)
43	004240782	Set screw (M4×10B)
44	004240056	Set screw (M4×6 B)
45	004300076*	Washer(4.2×9×0.5)
46	G4B3013006	Zig zag width crank
47	004300202	Washer (4.5×10×0.8)
48	004240046	Set screw (M4×10 B)
49	G4DR004209	Bobbin winder frame complete
50	G4A0935006	Bobbin winder frame
51	003043006	Spring pin (φ3×6×0.6)
52	V61183000	Feed regulator gear
53	G4DR003209	Feed regulator dial
54	004300186*	Washer (6.2×12×0.5)
55	003010046*	E-Ring (ETW-4)
56	EAA0203003	Feed regulator set plate
57	004240676*	Set screw (M4×5 B)
58	V61165000	Bobbin winder crank complete
59	F20213000*	Bobbin winder rubber pulley
60	V61563003	Bobbin winder crank spring
61	003010053	E-Ring (ETW-5)
62	G4EC003209	Front cover
63	GCA7193209	Face plate
64	004241061*	Set screw (M4×12)
65	V61403000	Heat resistant plate
66	004500600*	Washer (6.5×10.5×1.5)
67	G4A0883003	Zig zag width change crank set screw
68	G4B6034209	Free arm base plate
69	G4B6033209	Free arm base
70	G4A0193209	Free arm foot bush

No.	Part No.	Description
71	003020053	CS-ring (CSTW-5)
72	004230216	Set screw (M3×8.5)
73	004300136	Washer (4.2×8×0.8)
74	G4A0234209	Sewing table complete
75	G4A0233209	Sewing table body
76	G4A0253209	Sewing table body cover
77	G4A0213209	Plate
78	G4B6053209	Motor drive belt cover
79	E1A1723003	Motor drive belt cover frame
80	004241106*	Set screw (M4×0.7 L25)
81	E4A0233209	Selector dial
82	003043008	Pin (SP3×8)
82	003043010	Pin (SP3×10)
83	E1A1703209	Adjusting dial
84	G4E0053209	Spool pin plate (fixed)
85	004240526	Set screw (M4×12)

***means: These spare parts are not supplied individually, but can be obtained by minimum quantity at 300 pcs.

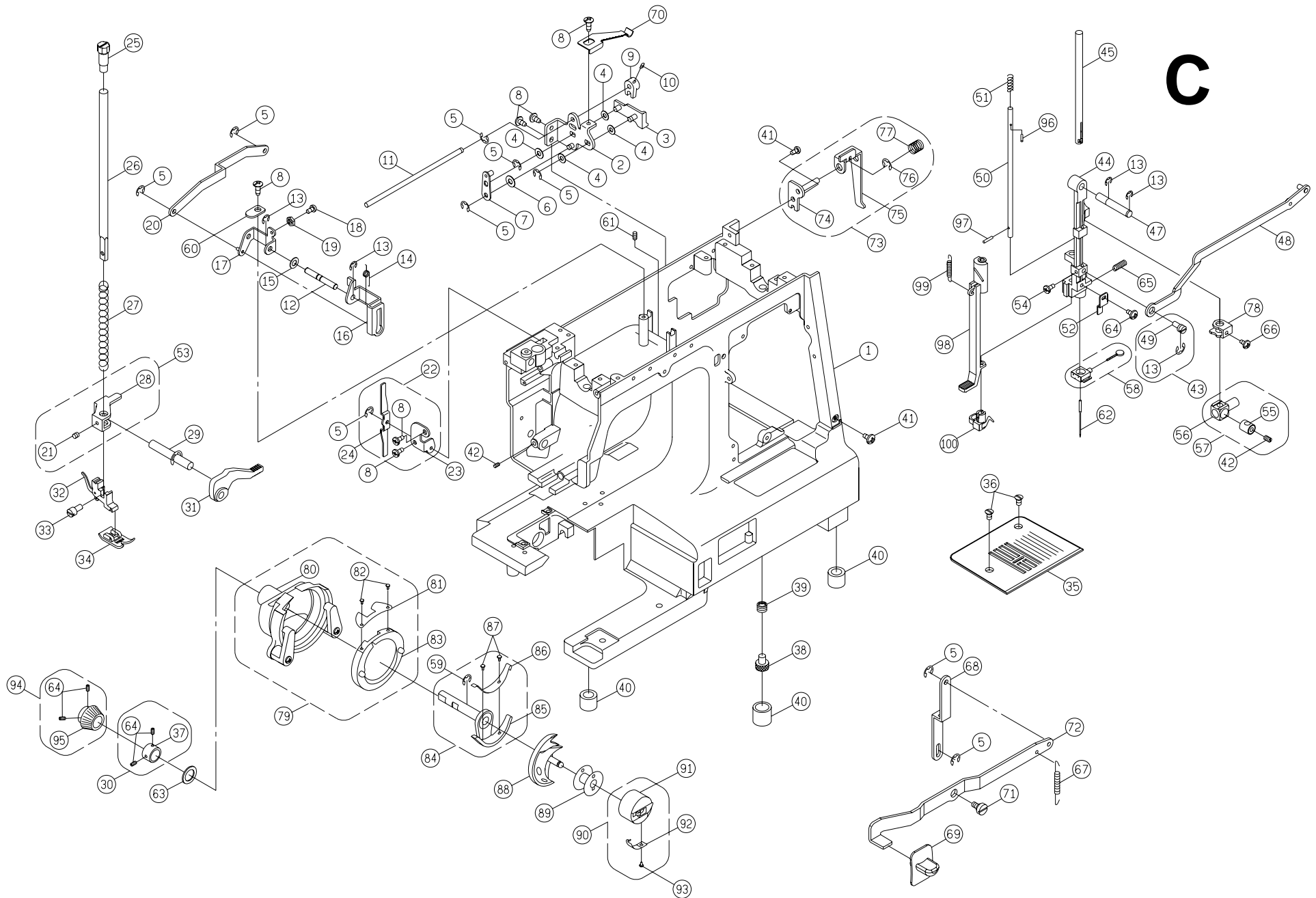
B



No.	Part No.	Description
1	E 1 A 2 5 1 3 0 0 1	Thread take up lever
2	V 1 0 5 2 3 0 0 0	Thread take up lever supporter
3	0 0 3 0 1 0 0 4 3	E-Ring (ETW-4)
4	V 6 0 2 2 3 0 0 3	Thread take up lever supporter shaft
5	H 1 3 0 9 3 0 0 3	Set washer
6	0 0 4 2 4 0 1 0 6 *	Set screw (M4×8 A)
7	V 1 0 5 4 3 0 0 0	Arm shaft balance pin
8	V 6 1 4 7 3 0 0 0	Arm shaft balance
9	0 0 4 2 4 0 2 2 3 *	Set screw (M4×6)
10	0 0 3 0 4 3 5 2 4	Arm shaft balance pin (ϕ 3.5×24)
11	0 0 3 0 1 0 0 9 3 *	E-Ring (ETW-9)
12	R 1 0 2 9 3 0 0 0	Arm shaft bushing
13	V 6 0 1 1 3 0 0 3	Arm shaft bushing holder plate
14	0 0 4 4 0 0 0 8 0 *	Endure attrition washer
15	R 1 0 3 1 3 0 0 0	Arm shaft collar
16	0 0 4 2 5 0 2 0 3 *	Set screw (M5×5)
17	G 4 A 0 5 3 3 0 0 0	Feed cam
18	0 0 4 2 4 0 5 0 3	Set screw (M4×4)
19	E 1 A 0 0 6 3 0 0 0	Arm shaft worm
20	0 0 4 3 0 0 8 5 3 *	Washer (10.2×15×0.5)
21	E 4 A 0 1 4 3 2 1 0	Arm shaft drive belt pulley
22	G 4 A 0 5 2 3 0 0 0	Arm shaft
23	E 1 A 0 0 6 5 0 0 0	Arm shaft worm complete
24	0 0 3 0 4 3 0 1 8	Spring pin (ϕ 3×18)
25	R 1 0 3 9 3 0 0 0	Arm shaft clutch annulus spring
26	R 1 0 4 0 3 0 0 0	Arm shaft collar
27	E 1 A 0 0 7 3 2 0 9	Hand wheel
28	0 0 4 3 0 0 5 8 6 *	Hand wheel washer (16×5.2×1.0)
29	0 0 4 2 5 0 3 4 6 *	Set screw (M5×10)
30	V 1 6 8 8 3 2 0 9	Hand wheel decorated plate
31	0 0 7 1 6 3 4 7 1	Motor drive belt (163XXL6.1)
32	G 4 A 0 5 1 3 0 0 0	Crank connecting rod
33	V 6 0 0 7 3 0 0 3	Crank connecting cover
34	V 6 0 0 5 3 0 0 0	Crank connecting rod cam
35	0 0 4 2 4 0 0 5 6	Set screw (M4×6 B)

No.	Part No.	Description
36	0 0 4 1 0 7 0 6 3	Set screw (11/64×40 L=12)
37	G 4 A 0 5 1 4 0 0 0	Crank connecting rod compete
38	0 0 4 6 0 0 0 2 6	Spring washer (4.2×7.2×1.2)
39	0 0 4 1 0 7 2 8 3	Set screw (11/64×40×5)
40	F 4 A 3 3 4 3 0 0 0	Needle bar crank rod
41	R 1 0 3 0 4 0 0 0	Arm shaft collar complete
42	G 4 A 0 5 3 5 0 0 0	Feed cam complete

***means: These spare parts are not supplied individually, but can be obtained by minimum quantity at 300 pcs.



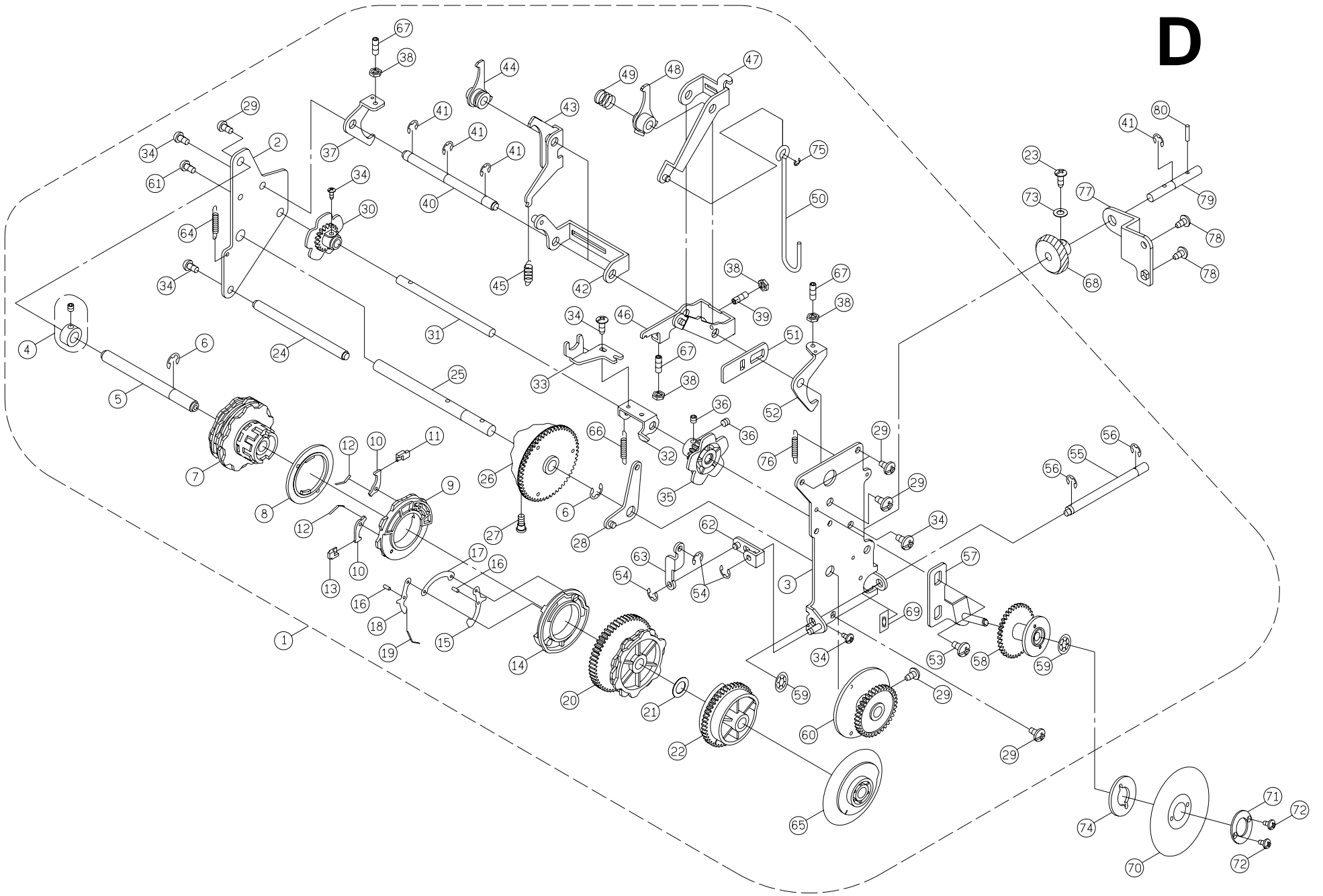
No.	Part No.	Description
1	G4A0013000	Arm
2	G4A0583003	BH selector plate
3	G4A0623003	BH slide plate
4	004300076*	Washer (4.2×9×0.5)
5	003010036*	E-Ring (ETW-3)
6	004300693*	Washer (4.2×12×1.2)
7	G4A0603003	BH selector plate
8	004240106*	Set screw (M4×8A)
9	E1A1423000	BH select crank
10	004230036*	Set screw (M3×6 B)
11	G4A0573003	BH select crank shaft
12	G4A0793003	Zig zag width regulating cam shaft
13	003010053*	E-Ring (ETW-5)
14	V61033003	Zig zag width spring
15	004300113*	Washer (6.7×14×0.8)
16	G4A0763003	Zig zag width regulating cam
17	G4A0773003	Zig zag regulator crank
18	004240046	Set screw (M4×10 B)
19	004840106	Set Nut (ALN-4)
20	G4A0783003	Rod
21	004240943*	Set screw (M4×8)
22	G4A0665000	Tension lever lifter plate
23	G4A0673003	Tension frame
24	G4A0663003	Tension lever lifter
25	V620163209	Presser bar regulating screw
26	E1A0143002	Presser bar
27	E1A2493003	Presser bar spring
28	F4A0063003	Presser bar bracket
29	F4A0053003	Presser bar lifter lever shaft
30	H71155000	Shuttle driver shaft collar complete
31	F4A0043000	Presser bar lifter lever
32	006910008	Shank complete
33	004106221	Shank complete set screw
34	006806008	Zip zap presser foot complete(J)
35	G4A0543004	Needle plate

No.	Part No.	Description
36	004240851*	Set screw (M4×6)
37	H71153003	Shuttle driver shaft collar
38	K82133006	Base plate adjustment screw
39	K82073003	Base plate adjustment screw spring
40	H70043000	Free arm base cushion rubber
41	004240056	Set screw (M4×6 B)
42	004240503	Set screw (M4x4)
43	E1A2434000	Needle bar driving rod pin
44	G4A0453000	Needle bar supporter
45	G4A0463000	Needle bar
46	003010056*	E-Ring (ETW-5)
47	R12723003	Needle bar supporter pin
48	V60175003	Needle bar driving rod complete
49	E1A2433000	Needle bar driving rod pin
50	E1A0113000	Auto threaded shaft
51	R12793003	Auto threaded shaft spring
52	G4A0483003	Needle bar stopper plate
53	F4A0065000	Presser bar bracket complete
54	004106202*	Set screw (9/64×40×7)
55	H10263000	Needle bar bracket (2)
56	H10253000	Needle bar bracket (1)
57	H10195000	Needle bar bracket complete
58	TA11034000	Needle clamp complete
59	004400800	Endure bar washer (7.6×12×0.13)
60	H13093003	Set washer
61	004240223	Set screw (M4×6)
62	006175008	Needle
63	004400210	Endure attrition washer (8.6×12×0.5)
64	004107293	Set screw (11/64×40×4)
65	H50583003	Needle bat supporter spring
66	004230016	Set screw (M4×6A)
67	E1A2013003	Zig zag crank spring
68	E1A1553003	Reverse rod
69	EJD0143209	Reverse button
70	G4A0653003	BH cam plate

No.	Part No.	Description
71	004240883	Set screw (M4)
72	GGR0213006	Reverse rod
73	V61205003	Clutch rod complete
74	V61213003	Clutch rod plate
75	V61233003	Clutch rod
76	003010046*	E-Ring (ETW-4)
77	V61243003	Clutch rod spring
78	M70073002	Auto threaded stopper
79	V10995000	Open shuttle race complete
80	V11003002	Open shuttle race
81	V11583002	Shuttle hook holder spring
82	H71093003	Shuttle hook holder spring screw
83	V11573001	Shuttle hook holder
84	K81125000	Shuttle driver complete
85	K81123002	Shuttle driver
86	K81143003	Shuttle driver spring
87	004103043	Shuttle driver spring screw
88	V62043000	Shuttle hook
89	006066008	Bobbin
90	H71185000	Bobbin case complete
91	H71186001	Bobbin case
92	H13803001	Bobbin case spring
93	H13973002	Bobbin case spring set screw
94	V620235000	Shuttle driver shaft gear complete
95	V620233000	Shuttle driver shaft gear
96	003042014*	Auto threaded shaft pin
97	003042006*	Auto threaded shaft pin
98	E1A0123000	Auto threaded lever
99	M70093000	Auto threaded lever spring
100	E1A2125000	Auto threaded

***means: These spare parts are not supplied individually, but can be obtained by minimum quantity at 300 pcs.

D



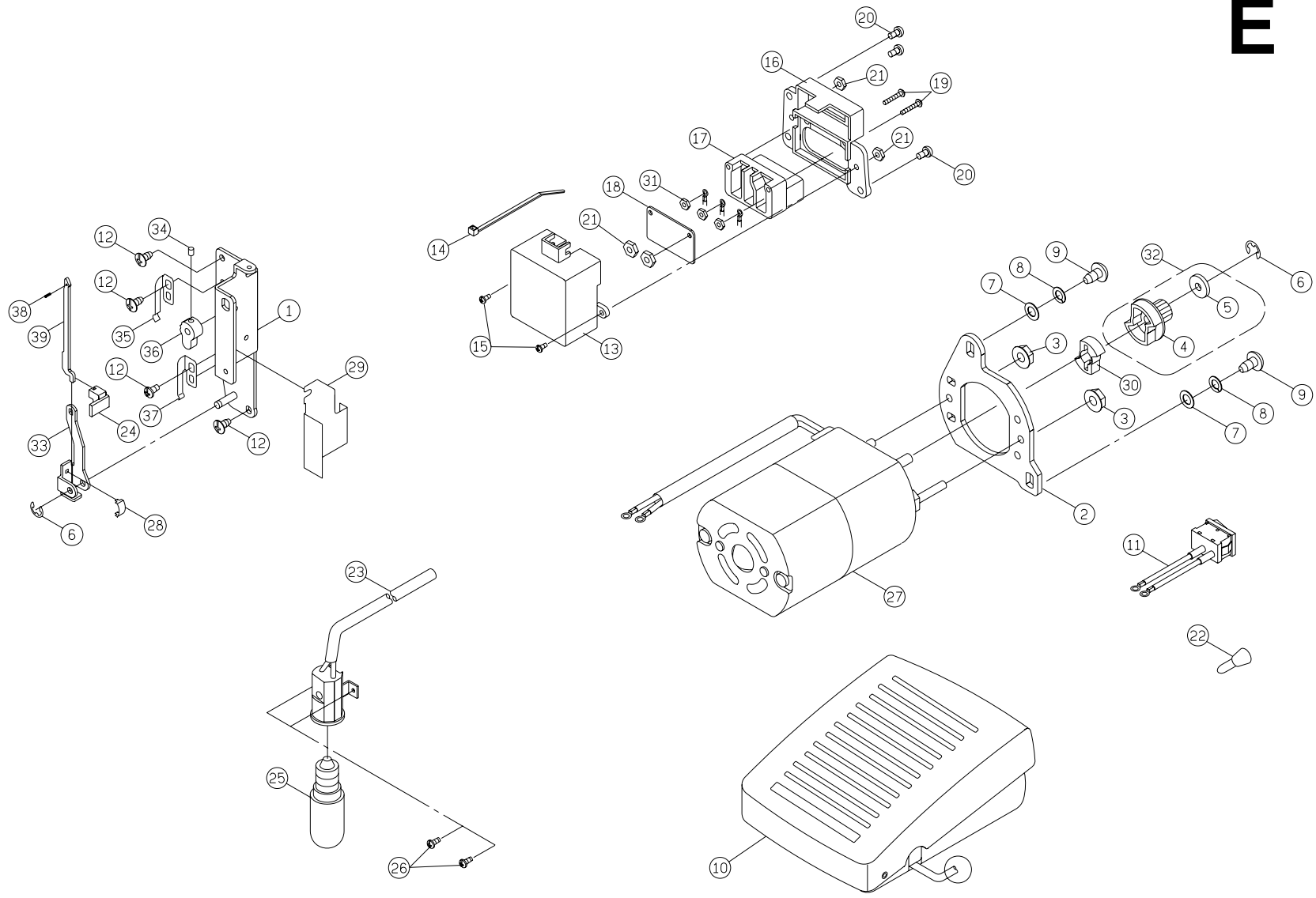
No.	Part No.	Description
1	G4E0024000	Pattern cam contact complete (993CB5)
2	G4A0733003	Pattern cam contact plate (back)
3	E1A0653003	Pattern cam contact plate (front)
4	H11935000	Pattern cam shaft collar complete
5	F4A3023003	Pattern cam shaft
6	003010063	E-Ring (ETW-6)
7	F4A3033000	Pattern cam
8	E1A0833000	Straight stitch cam
9	E1A0783000	BH cam
10	E1A0793002	BH contact
11	E1A0813000	BH slide block B
12	E1A0823003	BH contact spring plate
13	E1A0803000	BH slide block A
14	E1A0723000	BH feed regulator cam
15	E1A0743002	BH clutch contact A
16	E1A0733000	BH clutch shaft
17	E1A0763002	BH clutch lever
18	E1A0753002	BH clutch contact B
19	E1A0773003	BH clutch spring plate
20	E1A0703000	SS cam
21	004300863*	Washer (8.2×14×0.5)
22	EAA0033000	Feed regulator cam
23	004230286*	Set screw (M3×8 B)
24	F4A3063003	Pattern cam contact supporter shaft
25	F4A3073003	Pattern selector cam shaft
26	F4A3083000	Pattern selector cam
27	004240423	Set screw (M4)
28	E1A1033003	Pattern selector adjusting lever
29	004240106	Set screw (M4×8 A)
30	E1A1053000	Zig zag cam
31	F4A3093000	Pattern selector cam shaft
32	E1A1073006	Zig zag movement contact
33	E1A1083003	Movement plate
34	004230016	Set screw (M3×6 A)
35	F4A3103000	Stretch stitch release

No.	Part No.	Description
36	004240503	Set screw (M4×4)
37	G4A0753003	Zig zag release plate
38	004840106	Nut (ALN-4)
39	004240633	Sew screw (M4×0.7 L12)
40	F4A3043000	Zig zag cam contact supporter shaft
41	003010056*	E-Ring (ETW-5)
42	G4A0743003	Zig zag cam contact supporter
43	E4A0033003	BH Feed crank
44	EAA0063003	Zig zag cam contact
45	E1A0973003	BH Feed crank spring
46	EAA0093003	BH adjusting crank
47	G4A0983003	SS cam contact supporter
48	EAA0083003	SS cam contact
49	E1A0903003	SS cam contact spring
50	G4A1183003	Feed rock shaft
51	E1A0983003	BH adjusting plate
52	E1A0993003	Stretch stitch release plate
53	004240056	Set screw (M4×6 B)
54	003010036	E-Ring (ETW-3)
55	E1A1113000	Adjusting shaft
56	003010043*	E-Ring (ETW-4)
57	G4E0034003	Pattern gear plate
58	E1A1203000	Pattern gear
59	003020043*	CS ring
60	E1A1173000	Zig zag selector cam
61	004240046	Set screw (M4×10 B)
62	E1A1123003	BH adjusting hook holder
63	E1A1133003	BH adjusting rod
64	J31383003	Spring
65	EAA0023000	Stretch stitch selector cam
66	M70093000	Auto threaded lever spring
67	004241093	Set screw (M4×0.7 L9)
68	F4A3113000	Selector gear
69	003070043	Prompt Nut (PSN-4)
70	F4A5943210	Pattern selector plate

No.	Part No.	Description
71	E1A1213006	Pattern selector plate
72	004220106	Set screw (M2×0.2 L10)
73	004300676	Washer (3.2×8×0.8)
74	G4A0963006	Pattern selector plate washer
75	003010046	E-Ring (ETW-4)
76	H70553003	Spring
77	F4A3303003	Selector dial plate
78	004240056	Set screw (M4×6 B)
79	E1A1243006	Selector dial shaft
80	003042516	Spring pin (φ2.5×16)

***means: These spare parts are not supplied individually, but can be obtained by minimum quantity at 300 pcs.

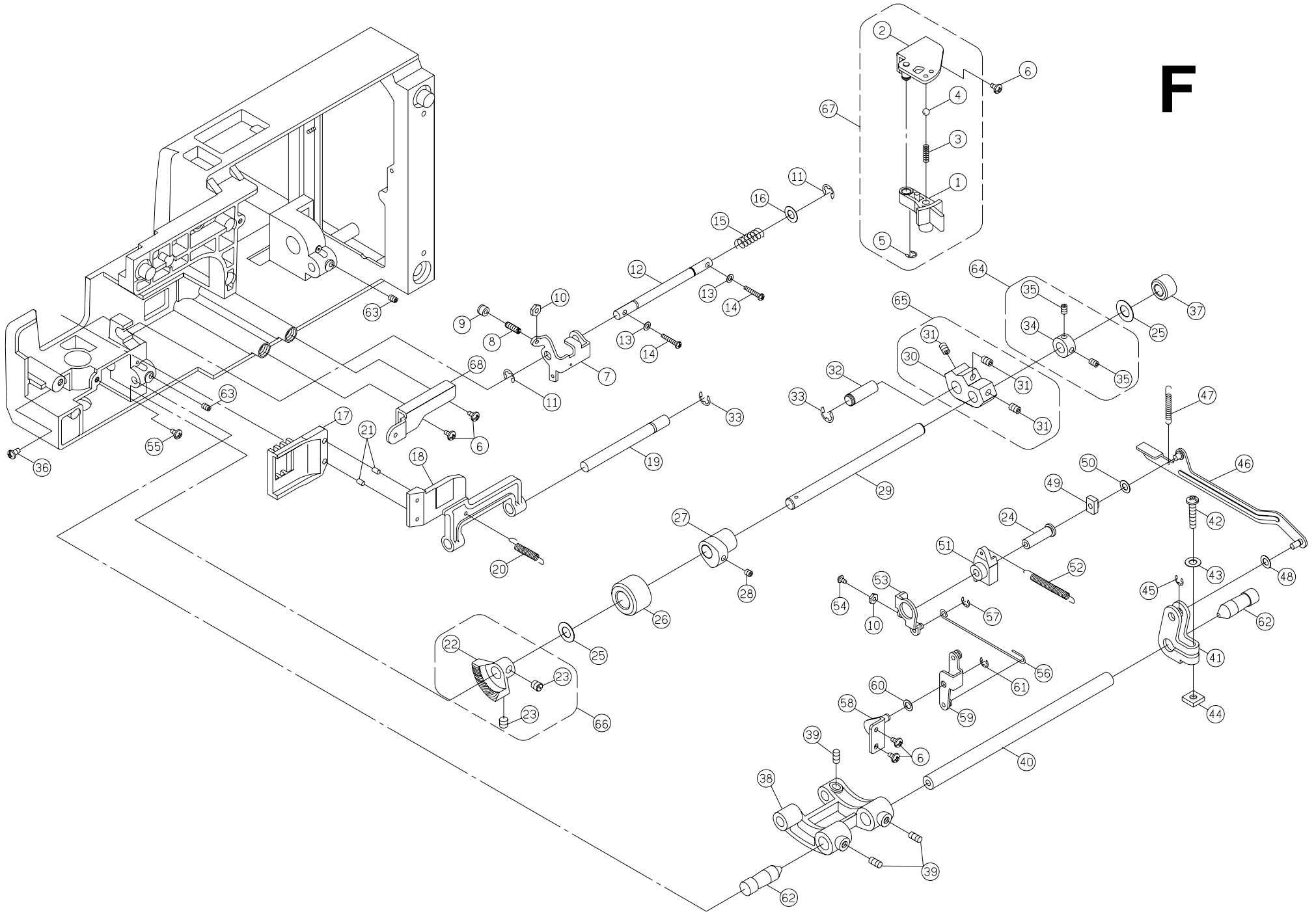
E



No.	Part No.	Description
1	G4A0553006	BH lever plate
2	002504025	Motor bracket
3	004840131	Set screw (M4*5.5)
4	002396029*	Belt wheel
5	002145029	Motor feed regulator collar
6	003010036	E-Ring (ETW-3)
7	004300306	Washer (5.4×10×0.9)
8	004600296	Spring washer (5.2×9×1)
9	004250086	Set screw (M5×12)
10	001352109	Foot controller (KD-1902) 100-120V
11	002425118	Switch ass'y
12	004240056	Set screw (M4×6 B)
13	E1A1973209	Receptacle holder cover
14	002027129	Cord clip
15	004230286	Set screw (M3×8)
16	002252129	Receptacle holder
17	002624129	Receptacle (Z11)
18	002621129	Consent insulation plate
19	004230865	Set screw (M3×20 B)
20	004240066	Set screw (M4×8 B)
21	004830016	Nut (M3 t=2.3)
22	AA0463000	Quick connect
23	002147427	Lamp holder complete
24	E4A6003209	BH lever button
25	005120021	Lamp (120V 10W)
26	004230056	Set screw (M3×5 B)
27	001351109	Motor complete (110-120V) HF-07150
28	E1A1483003	BH lever spring plate
29	E1A2373000	Shield
30	008059302	Cushion rubber
31	004840120	Set screw(M3*4)
32	002396028	Belt wheel complete
33	E1A1473003	BH lever crank
34	004230203	Set screw (M3×4 C)
35	E1A1523003	BH positioned plate

No.	Part No.	Description
36	E1A1513000	BH movement crank
37	E1A1533003	BH positioned plate
38	003041605	Spring pin (ø1.6×5)
39	G4A0563002	BH lever

***means: These spare parts are not supplied individually, but can be obtained by minimum quantity at 300 pcs.



F

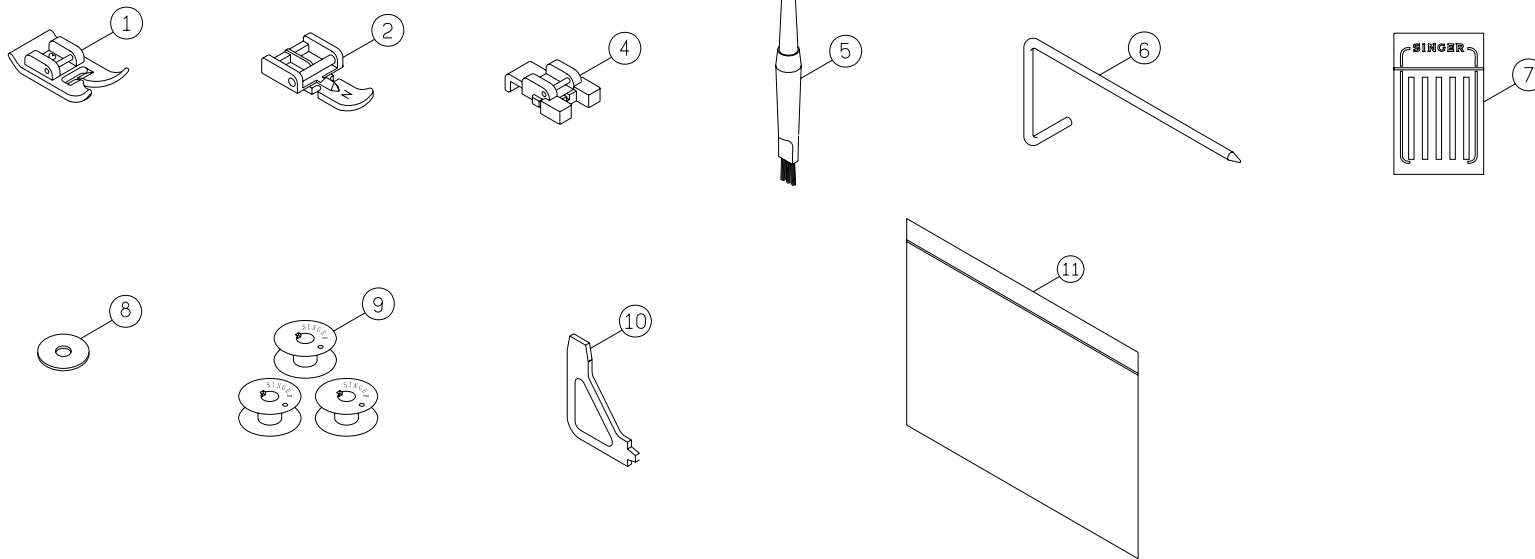
No.	Part No.	Description
1	G4A0313209	Feed dog lifting rod
2	G4A1003003	Feed lifting shaft crank
3	H10483003	Presser bar regulating spring
4	H12883000	Steel ball
5	003010046*	E-Ring (ETW-4)
6	004240106	Set screw (M4x8A)
7	G4A1263582	Feed rock crank
8	004250323*	Set screw (M4x7)
9	K81243000	Set screw knob
10	004840106	Adjusting nut (ALN-4)
11	003010073	E-Ring (ETW-7)
12	G4A1023003	Feed rock shaft
13	004300136	Washer (4.2x8x0.8)
14	004240146*	Set screw (M4x15B)
15	K81263003	Feed lifting rock shaft spring
16	004300226	E-Ring (8.2x16x1)
17	H70523002	Feed dog
18	G4A1133001	Feed dog frame
19	H70513003	Feed dog shaft
20	K81393003	Feed dog frame spring
21	004104012	Set screw (1/8x44 L=5)
22	G4A1375000	Lower shaft gear
23	004111043	Set screw (M5x5)
24	V60443000	Feed regulating shaft
25	004400210	Endure attrition washer
26	G4A1063000	Lower shaft bushing (1)
27	G4A1253000	Feed lifting rock cam
28	004240033	Set screw (M4x5)
29	G4A0083000	Lower shaft
30	V60363000	Crank connecting rod crank
31	004250203	Set screw (M5x5)
32	V10833003	Crank connecting rod crank pin
33	003010053	E-Ring (ETW-5)
34	V11553003	Lower shaft collar
35	004240503	Set screw (M4x4)

No.	Part No.	Description
36	004240066	Set screw (M4x8B)
37	G4A1073000	Lower shaft bushing (2)
38	G4A1113000	Feet rock frame
39	004240223	Set screw (M4x6)
40	G4A1103003	Feed rock shaft
41	G4A1143008	Feed rock crank
42	004240146	Set screw (M4x15B)
43	004300093	Washer (4x8x0.5)
44	004840073	Feed rock crank Nut (M4)
45	003010036	E-Ring (ETW-3)
46	G4A1243003	Ford rod
47	V60463003	Fork rod spring
48	004400450	Endure attrition washer(5.5x12x0.25)
49	V11533000	Feed regulating block
50	004400180	Washer (5.7x10.5x0.5)
51	G4A1163000	Feed regulating
52	V70063003	Feed regulating spring
53	G4A1175003	Feed regulating plate complete
54	004240046	Set screw (M4x10B)
55	004250151	Set screw (M5x10B)
56	G4A1193003	Feed rock rod (2)
57	003010046	E-Ring (EWT-4)
58	G4A1223003	Fees rod frame complete
59	G4A1203003	Feed rock rod complete (3)
60	004300186	Washer (6.2x12x0.5)
61	003011052	E-Ring (ETW-5)
62	H70883000	Center bar
63	004240033	Set screw (M4x5)
64	V11564000	Lower shaft collar complete
65	V60354000	Crank connecting rod crank complete
66	G4A1475000	Lower shaft gear complete
67	G4A0314000	Feed dog lifting rod complete
68	G4A0973003	Foot hook holder

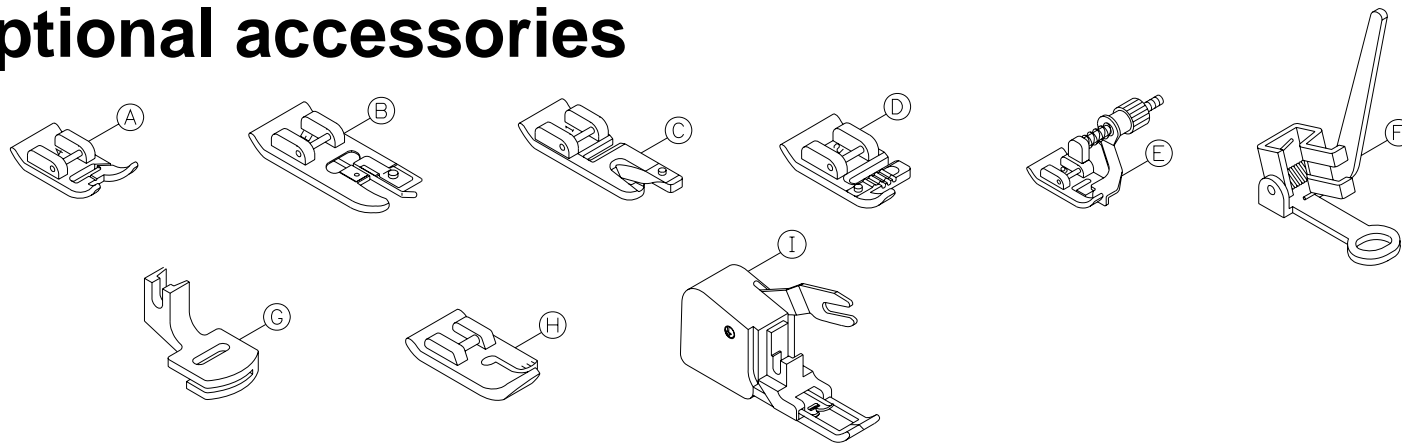
***means: These spare parts are not supplied individually, but can be obtained by minimum quantity at 300 pcs.

Standard accessories

G



Optional accessories



Standard accessories		
No.	Part No.	Description
1	006806008	Zig zag foot (J)
2	006905008	Zipper foot (I)
3	006914008	Button sew on foot
4	006099008	Brush & Seam ripper complete
5	006008001	Quilting bar
6	006175008	Pack of needles
7	006015009	Spool pin
8	006066008	Bobbin(3×)
9	006093009	Screw driver
10	006011009	Accessories bag

Optional accessories		
No.	Part No.	Description
A	006804008	Satin stitch foot
B	006803008	Over casting foot
C	006800008	Hemmer foot
D	006810008	Cording foot
E	006812008	Blind hem foot
F	006016008	Embroidery
G	006917008	Gathering foot
H	006916008	Quilting foot(P)
I	006815008	Walking foot (optional)

NOTE: When you order any spare parts from us, please cooperate with us by writing.

- (1) Section & Sequence No.
- (2) Name of parts
- (3) Voltage, if necessary
- (4) Others, if any