

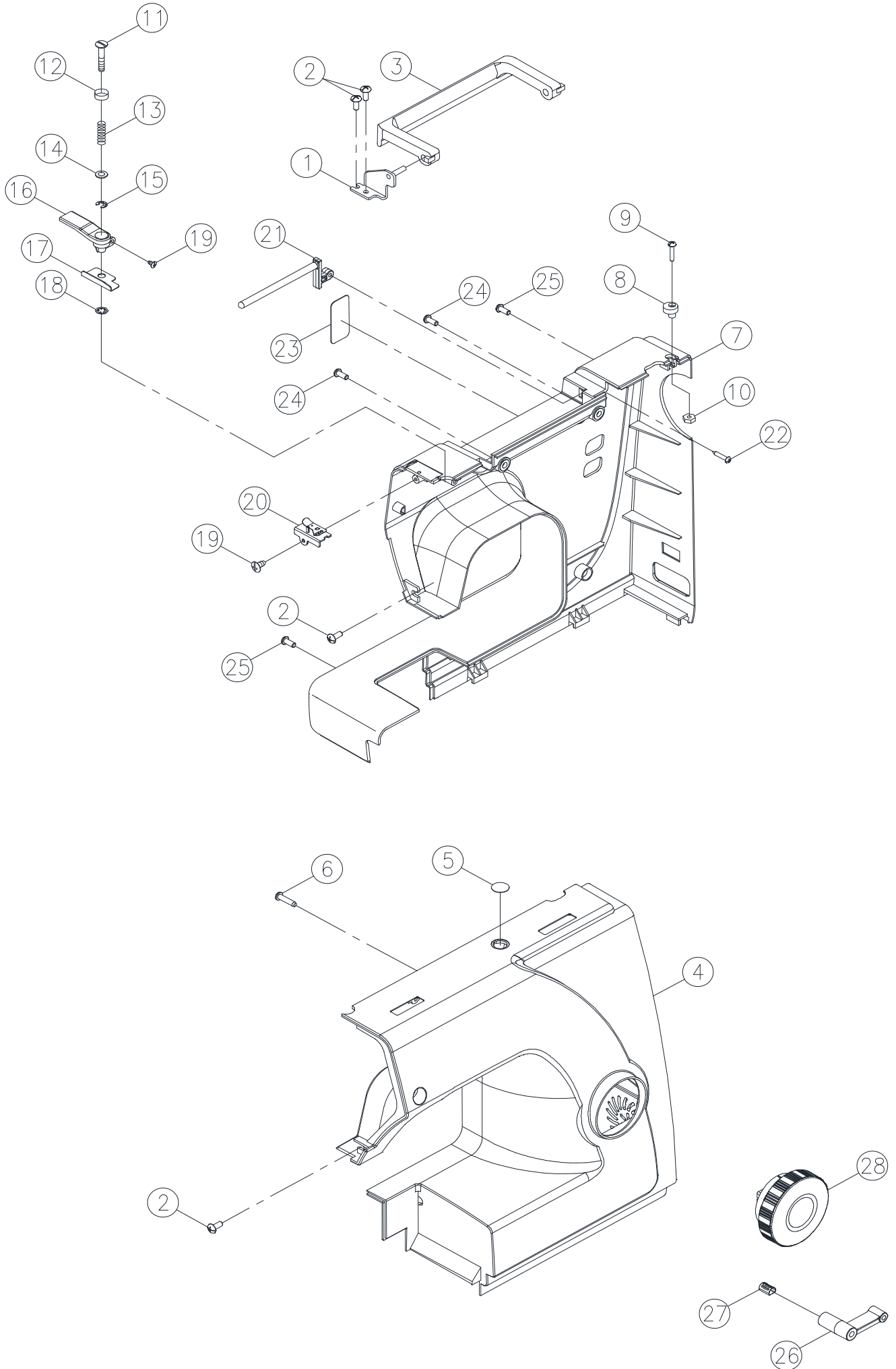


**SINGER®**

1507

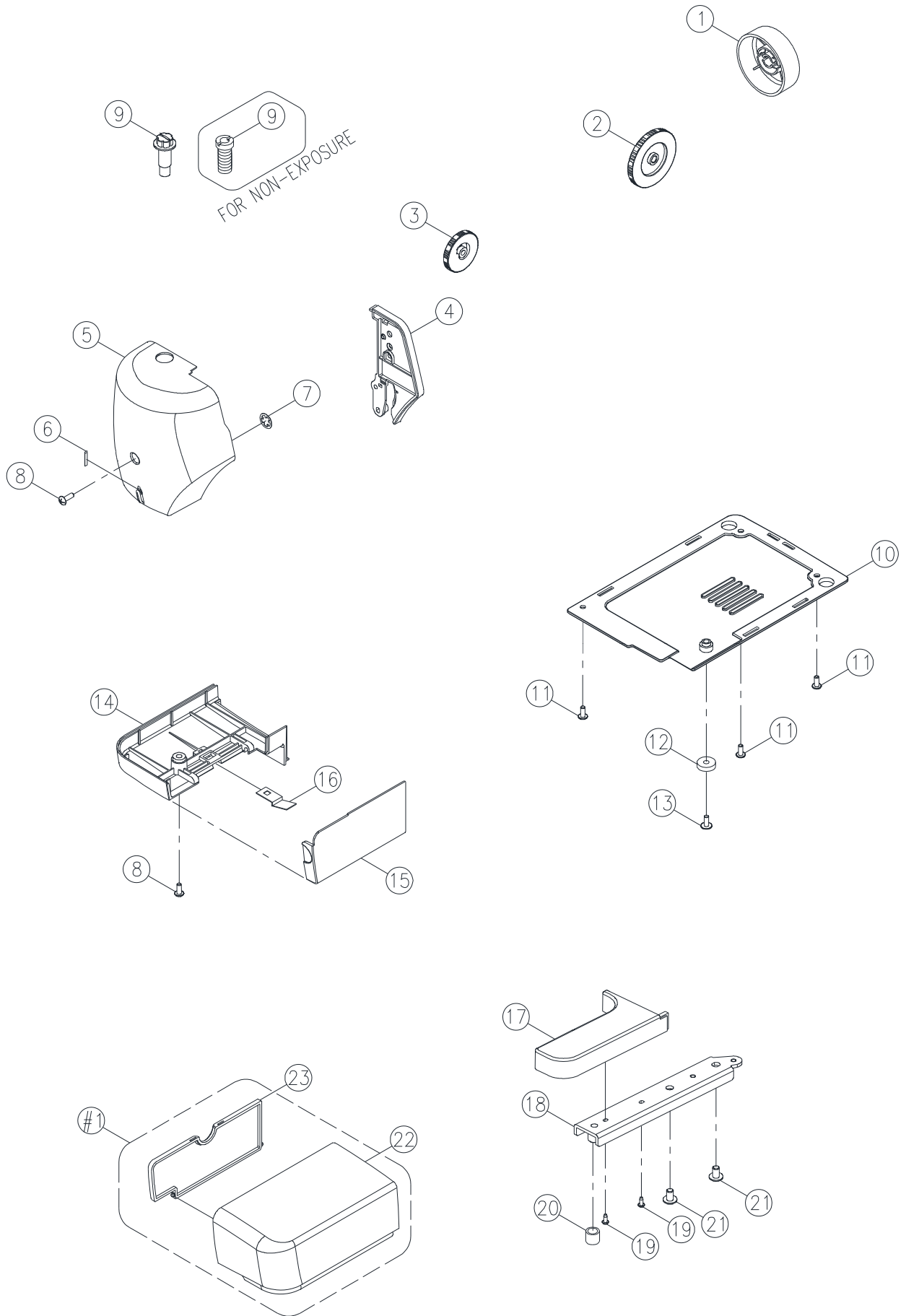
Liste de pièces  
Lista de Piezas  
Parts List

A



Ref No	Part No	Part Name
1	416528901	HANDLE BRACKET CPL.
2	416121501	SET SCREW (M4x8 A)
3	270 V880083210	HANDLE
4	68017226	FRONT COVER
5	270 V61503210	PLATE (1)
6	68013186	SET SCREW (M4x15)
7	68016495	BACK COVER
8	416146601	BOBBIN WINDER STOPPER
9	416793601	SET SCREW (9/64x40x18)
10	416126301	NUT (9/64x40 t=3)
11	270 V880173001	BOBBIN WINDER THREAD GUIDE ADJUSTING SCREW
12	270 V880183001	BOBBIN WINDER SPRING DISC
13	270 V880193000	BOBBIN WINDER THREAD GUIDE SPRING
14	68016508	WASHER (4.2x8x1)
15	416116001	E-RING (ETW-3)
16	270 V886273210	BOBBIN WINDER THREAD GUIDE BASE
17	270 V880403000	METAL GUIDE BAR
18	416225801	CS-RING (CSTW-4)
19	270 004230326	SET SCREW (M3x12 B)
20	270 V880235000	THREAD GUIDE CPL.
21	68004413	SPOOL PIN
22	270 004230646	SET SCREW (M3x16.7 B)
23	270 V880353210	BACK COVER PLATE
24	416122201	SET SCREW (M4x10 B)
25	416185401	SET SCREW (M4x10 A)
26	270 V883023210	REVERSE KNOB
27	416630801	SELECTOR DIAL SPRING
28	270 V888283210	PATTERN SELECTOR DIAL

# B

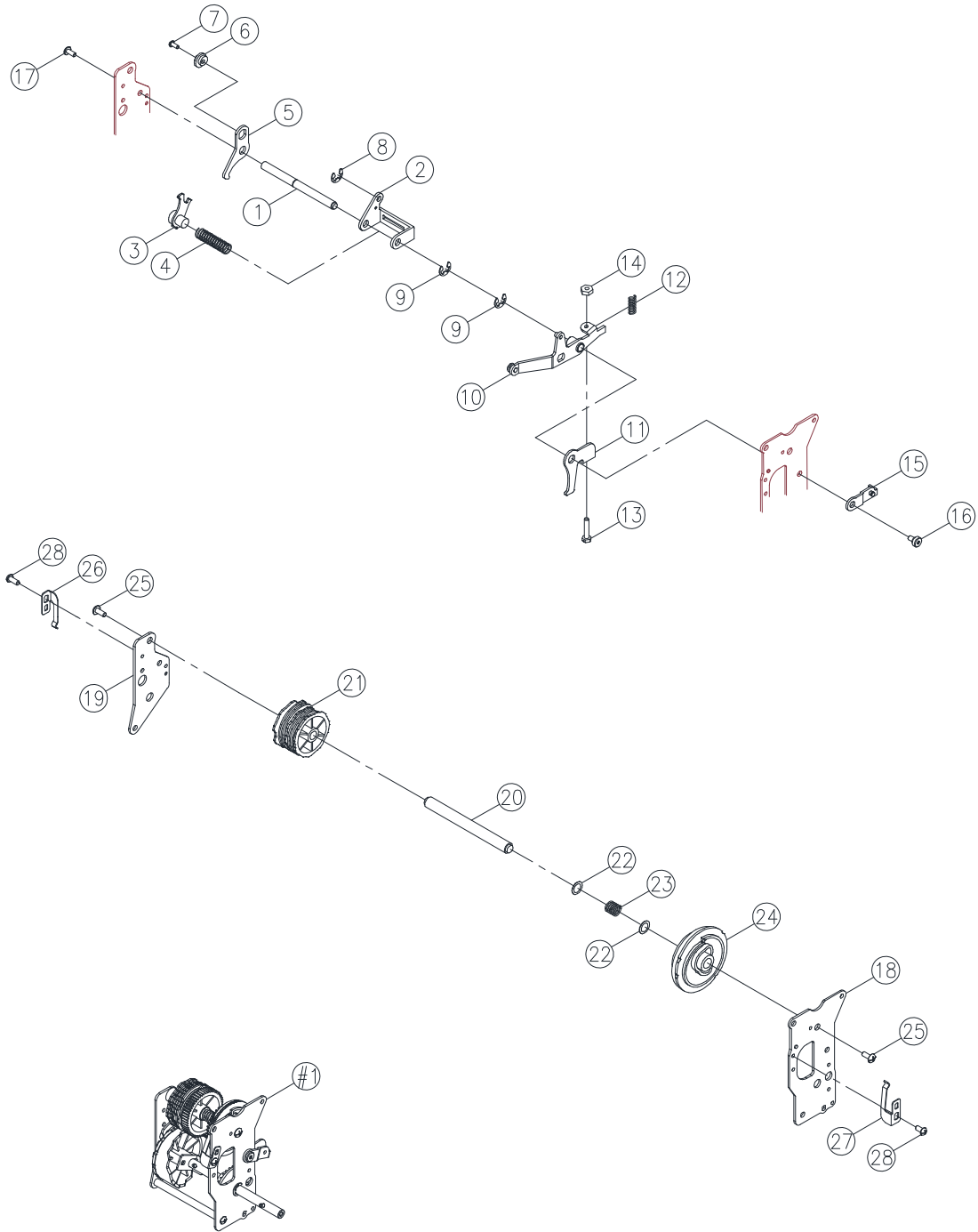


<u>Ref No</u>	<u>Part No</u>	<u>Part Name</u>
#1	270 V880065210	SEWING TABLE BODY CPL.
1	68016510	HAND WHEEL
2	270 V889283210	STITCH LENGTH DIAL
3	270 V887783210	DIAL TENSION KNOB
4	270 V886283210	DIAL TENSION SUPPORTER PLATE COVER
5	270 V887193210	FACE PLATE
6	412423701	THREAD CUTTER
7	68013202	CS-RING (CSTW-5)
8	416185401	SET SCREW (M4×10A)
9	416765701	PRESSER BAR REGULATING SCREW
10	68016512	BOTTOM PLATE
11	416121501	SET SCREW (M4x 8 A)
12	416642201	FREE ARM BASE CUSHION RUBBER
13	68013206	SET SCREW (M4x10 A)
14	68016513	BED COVER
15	68016515	HOOK COVER
16	416157201	HOOK COVER SPRING
17	270 V6E1143210	FREE ARM FOOT BASE
18	270 V6E1024000	FREE ARM FOOT
19	416184801	SET SCREW (M3x8)
20	68003263	FREE ARM BASE CUSHION RUBBER
21	416185701	SET SCREW (M6x10)
22	68016516	SEWING TABLE BODY
23	68016518	SEWING TABLE BODY COVER



Ref No	Part No	Part Name
#1	416150501	FEED CAM CPL.
#2	416604601	CRANK CONNECTING ROD CPL.
#3	416525201	ARM SHAFT WORM CPL.
#4	68016470	THREAD TAKE UP LEVER CPL.
1	416129201	BELT
2	416154601	BASE PLATE ADJUSTMENT SCREW
3	416154401	BASE PLATE ADJUSTMENT SCREW SPRING
4	416526001	ADJUSTMENT FREE ARM BASE CUSHION RUBBER
5	68003263	FREE ARM BASE CUSHION RUBBER
6	68013172	ARM SHAFT
7	270 V61473000	ARM SHAFT BALANCE
8	270 004250203	SET SCREW (M5x5 C)
9	416117701	ARM SHAFT BALANCE PIN (3.5x24)
10	416125101	ENDURE ATTRITION WASHE R(10.2x15x0.5)
11	416156301	ARM SHAFT BUSING
12	416765101	ARM SHAFT COLLAR
13	416121001	SET SCREW (M4x5 C)
14	270 G4A0533000	FEED CAM
15	416122401	SET SCREW (M4x4 C)
16	416604601	CRANK CONNECTING ROD CAM
17	416604601	CRANK CONNECTING ROD
18	416604601	CRANK CONNECTING ROD COVER
19	416604601	SET SCREW (M4x4 B)
20	270 004600026	WASHER (4.2x7.2x1.2)
21	270 004107063	SET SCREW (11/64x40x12)
22	68013180	ARM SHAFT WORM CPL.
23	270 003043028	SPRING PIN (3x28)
24	416307201	CLUTCH SLEEVE
25	270 D5A0573003	ARM SHAFT CLUTCH ANNULUS SPRING
26	68003212	ARM SHAFT DRIVER BELT PULLEY
27	416542901	E-RING (ETW-8)
28	416680701	SPRING PIN (3x30)
29	416161701	ARM SHAFT BUSHING HOLDER PLATE
30	416121501	SET SCREW (M4x8 A)
31	68016469	THREAD TAKE UP LEVER CPL.(S)
32	68016470	THREAD TAKE UP LEVER SUPPORTER
33	416116101	E-RING (ETW-4)
34	416162201	THREAD TAKE UP LEVER SUPPORTER SHAFT
35	416158001	ARM SHAFT BALANCE PIN
36	416522601	CARRYING HANDLE PLATE

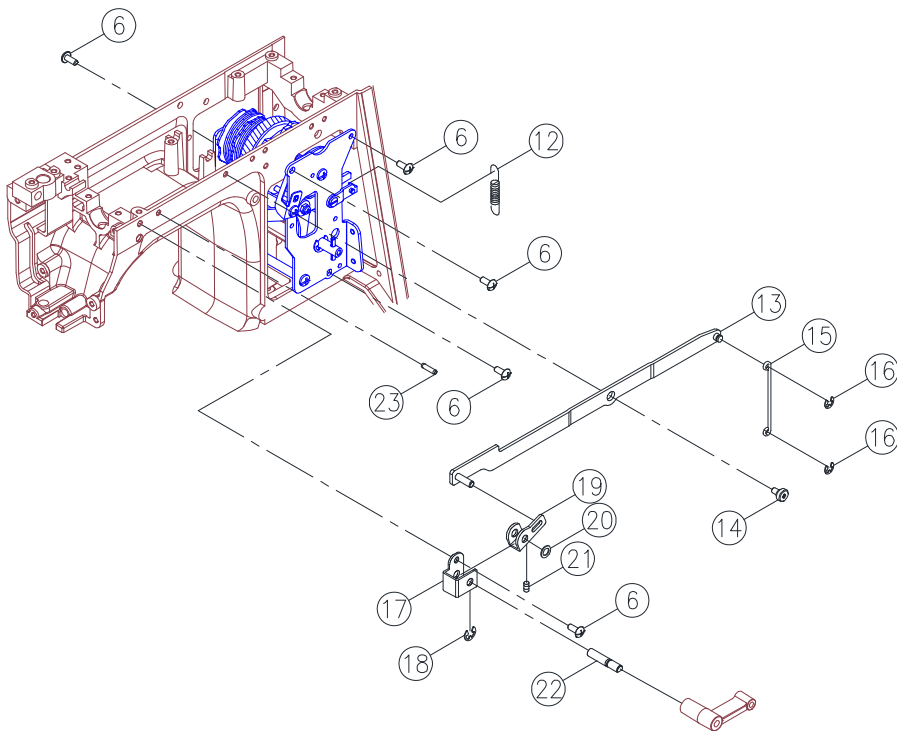
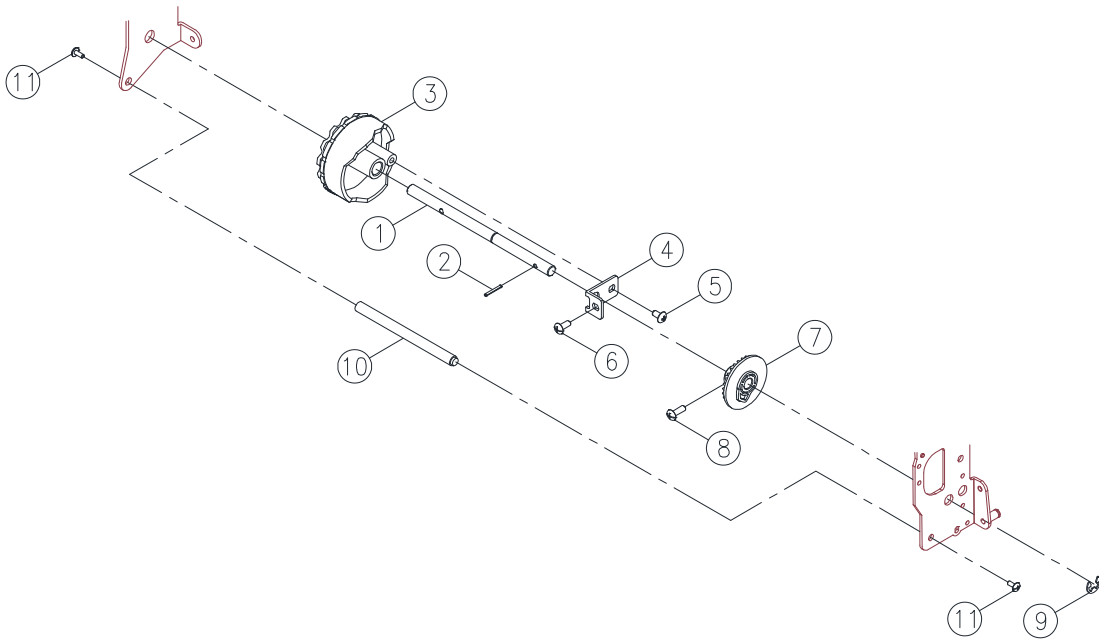
D



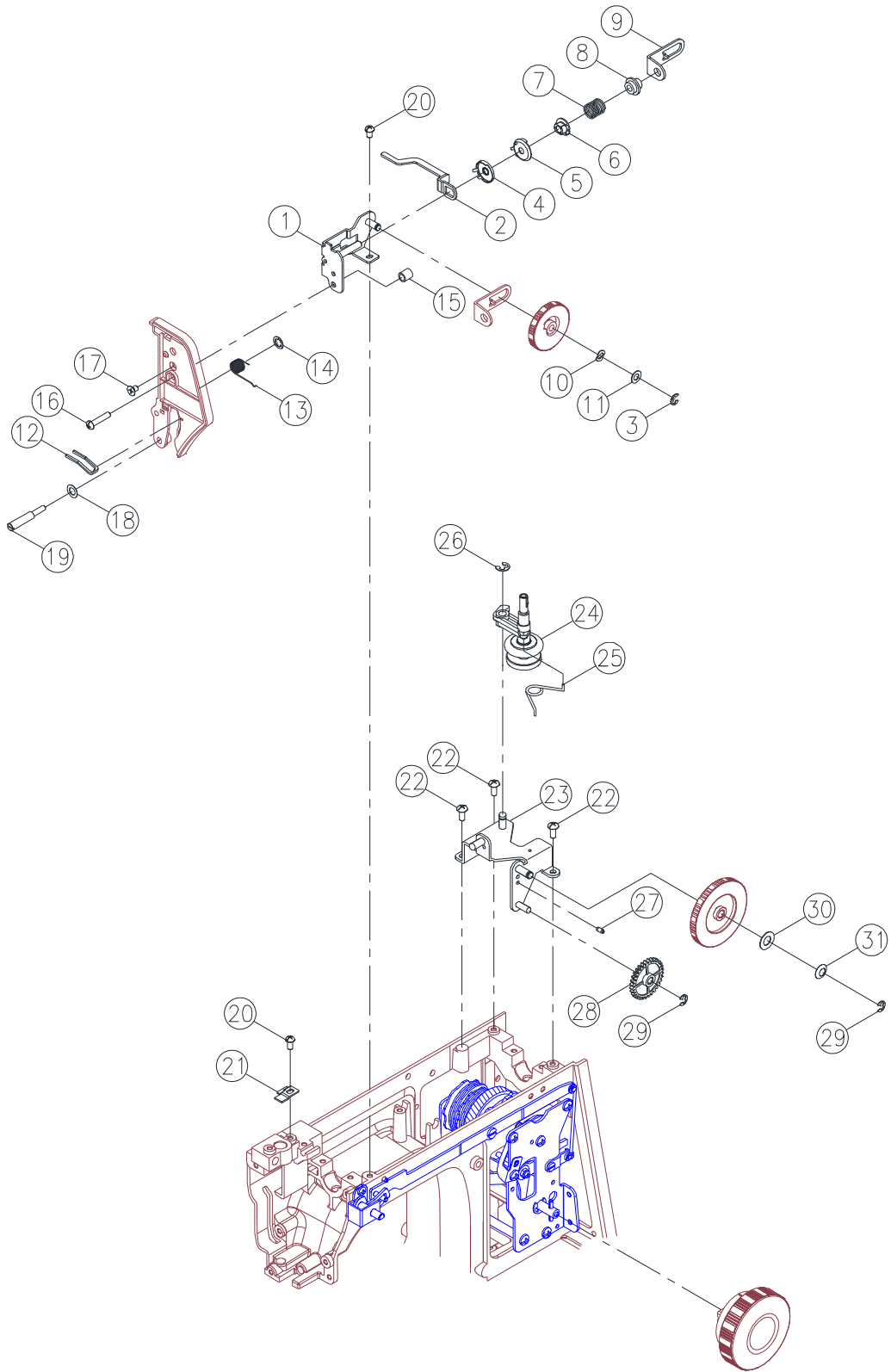


Ref No	Part No	Part Name
#1	68017255	PATTERN CAM CONTACT CPL.
1	68013181	ZIGZAG CAM CONTACT SUPPORTER SHAFT
2	270 V60703008	ZIGZAG CAM CONTACT SUPPORTER
3	270 V60713003	ZIGZAG CAM CONTACT
4	416158101	ZIGZAG CAM CONTACT SPRING
5	270 V60723003	ZIGZAG REGULATOR PLATE
6	270 V60733000	ZIGZAG REGULATOR NUT
7	270 004230316	SET SCREW (M3x10 B)
8	416116101	E-RING (ETW-4)
9	416116301	E-RING (ETW-5)
10	270 V880375000	FEED REGULATOR CRANK CPL.
11	270 V60803003	BH REGULATOR PLATE
12	270 V60813003	BH SPRING
13	270 004240706	SET SCREW (M4x20)
14	68015308	NUT( M4x0.7x2.1)
15	270 V610063003	REVERSE PLATE
16	270 004230583	SET SCREW (M3x6)
17	416119201	SET SCREW (M3x6 A)
18	270 V6E0363003	PATTERN CAM CONTACT PLATE (FRONT)
19	270 V6E0353003	PATTERN CAM CONTACT PLATE (BACK)
20	270 V60643003	PATTERN CAM SHAFT
21	270 V90023000	PATTERN CAM
22	270 004300823	WASHER (8.2x12x0.25)
23	270 V11603003	PATTERN CAM SHAFT SPRING
24	270 V60683000	FEED REGULATOR CAM
25	416121501	SET SCREW (M4x8 A)
26	270 V60873003	PATTERN PLATE
27	270 V60883003	FEED REGULATOR
28	416121201	SET SCREW (M4x6 B)

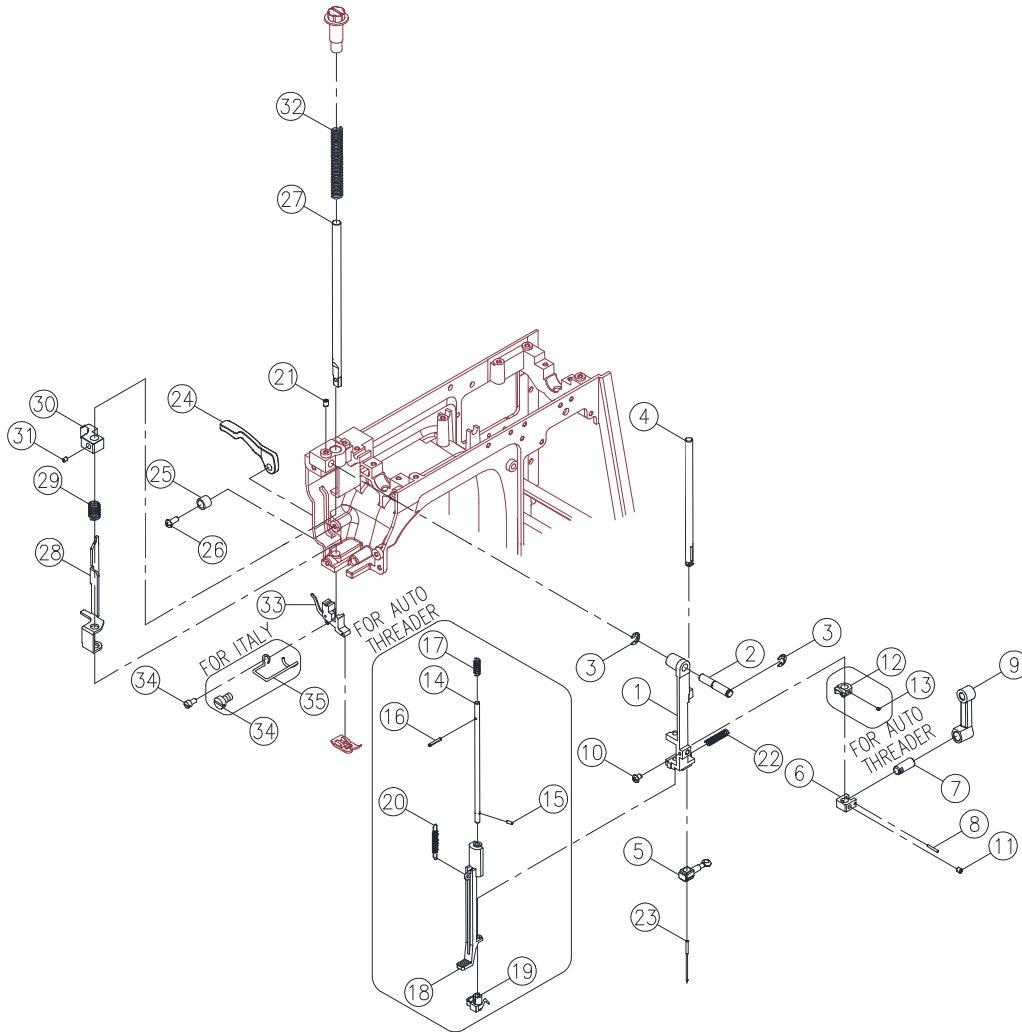
# E



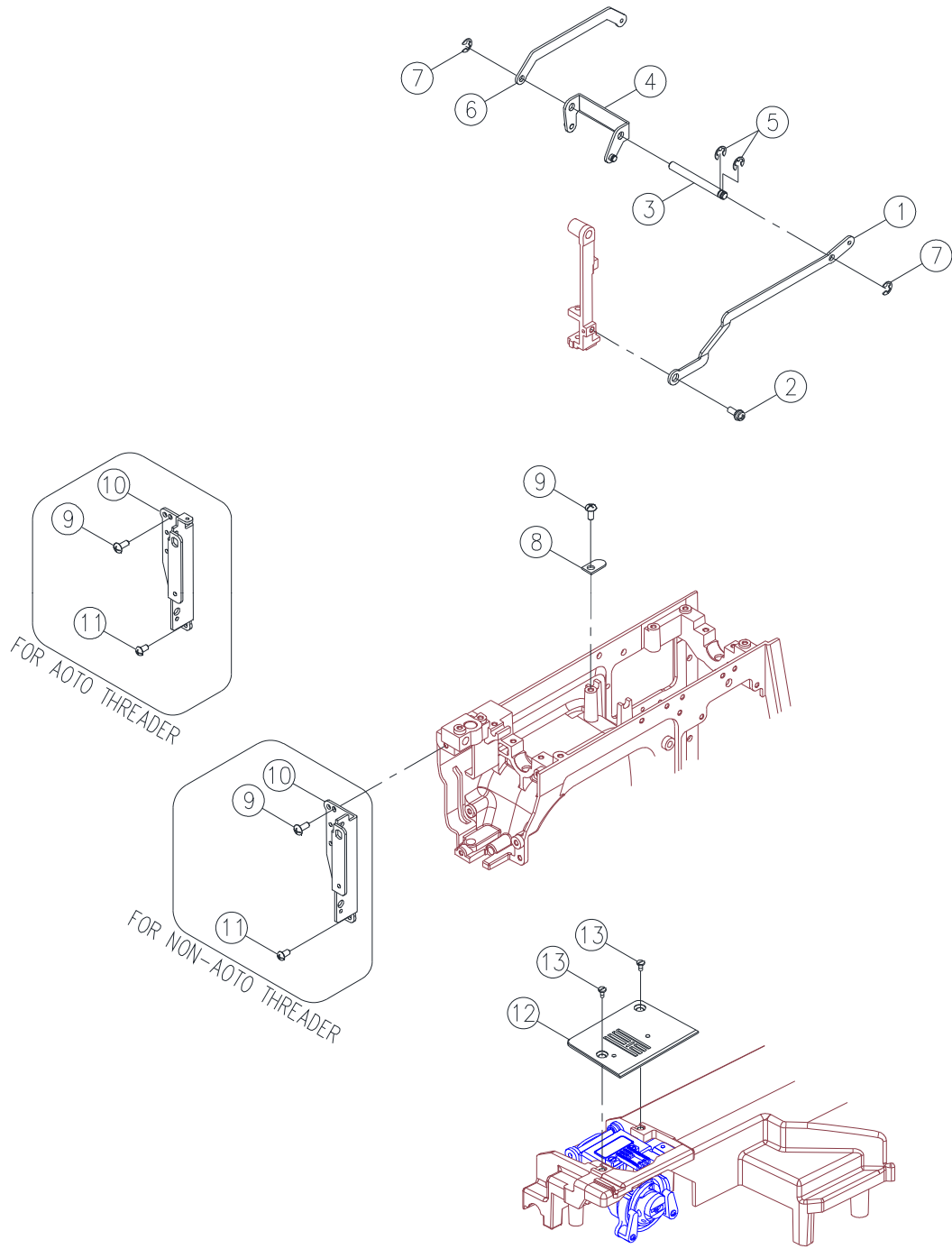
Ref No	Part No	Part Name
1	270 V880303003	PATTERN SELECTOR CAM SHAFT
2	416117601	SPRING PIN (3x18)
3	270 V810083000	PATTERN SELECTOR CAM
4	270 V60853003	PATTERN SELECTOR CAM PLATE
5	270 004240166	SET SCREW (M4x8)
6	416121501	SET SCREW (M4x8 A)
7	68013227	BH PATTERN SELECTOR CAM
8	416185401	SET SCREW (M4x10 A)
9	416116401	E-RING (ETW-6)
10	270 V60823003	PATTERN CAM CONTACT SUPPORTER SHAFT
11	416119201	SET SCREW (M3x6 A)
12	416155001	SPRING
13	270 V880283006	REVERSE LEVER
14	416716301	REVERSE LEVER SET SCREW (M4)
15	68013238	REVERSE ROD
16	416116001	E-RING (ETW-3)
17	270 V880273006	REVERSE KNOB SHAFT MOUNTING PLATE
18	416116301	E-RING(ETW-5)
19	270 V880263006	REVERSE CONNECTING PLATE
20	270 004400260	ENDURE ATTRITION WASHER (6.2x14x0.13)
21	416122101	SET SCREW (M4x6 C)
22	270 V880253006	REVERSE KNOB SHAFT
23	68013239	SPRING PIN (4x8)



Ref No	Part No	Part Name
1	416526601	DIAL TENSION SUPPORTER PLATE
2	416526701	DIAL TENSION WAFT PLATE
3	416116101	E-RING (ETW-4)
4	416153601	DIAL TENSION DISC (1)
5	416146301	DIAL TENSION DISC
6	416526801	DIAL TENSION SPRING REGULATOR
7	416155901	DIAL TENSION SPRING
8	416153801	DIAL TENSION REGULATOR
9	416162501	DIAL TENSION SPRING PLATE
10	416126001	WASHER (WW-5)
11	416124501	WASHER (5.2x10x0.5)
12	416171301	THREAD GUIDE
13	416162601	THREAD GUIDE SPRING
14	416116701	CS-RING (CSTW-5)
15	270 G4A1623001	DIAL TENSION GUIDE SPRING TUBE
16	416527101	SET SCREW (M4x20 B)
17	416121901	SET SCREW (M4x6 D)
18	416124101	WASHER (4.2x8x0.8)
19	416123001	SET SCREW (M4x14)
20	416121201	SET SCREW (M4x6 B)
21	416527201	TENSION LEVER REGULATING PLATE
22	416121301	SET SCREW (M4x8 B)
23	416527301	BOBBIN WINDER FRAME CPL.
24	416700601	BOBBIN WINDER CRANK CPL.
25	270 K6A0573003	BOBBIN WINDER CRANK SPRING
26	416116301	E-RING (ETW-5)
27	270 003043008	SPRING PIN (3x8)
28	270 V61183000	STITCH LENGTH GEAR
29	416116201	E-RING (ETW-4)
30	416124901	WASHER (6.2x12x0.5)
31	68013151	WASHER (6.2x12x2.0x0.15)

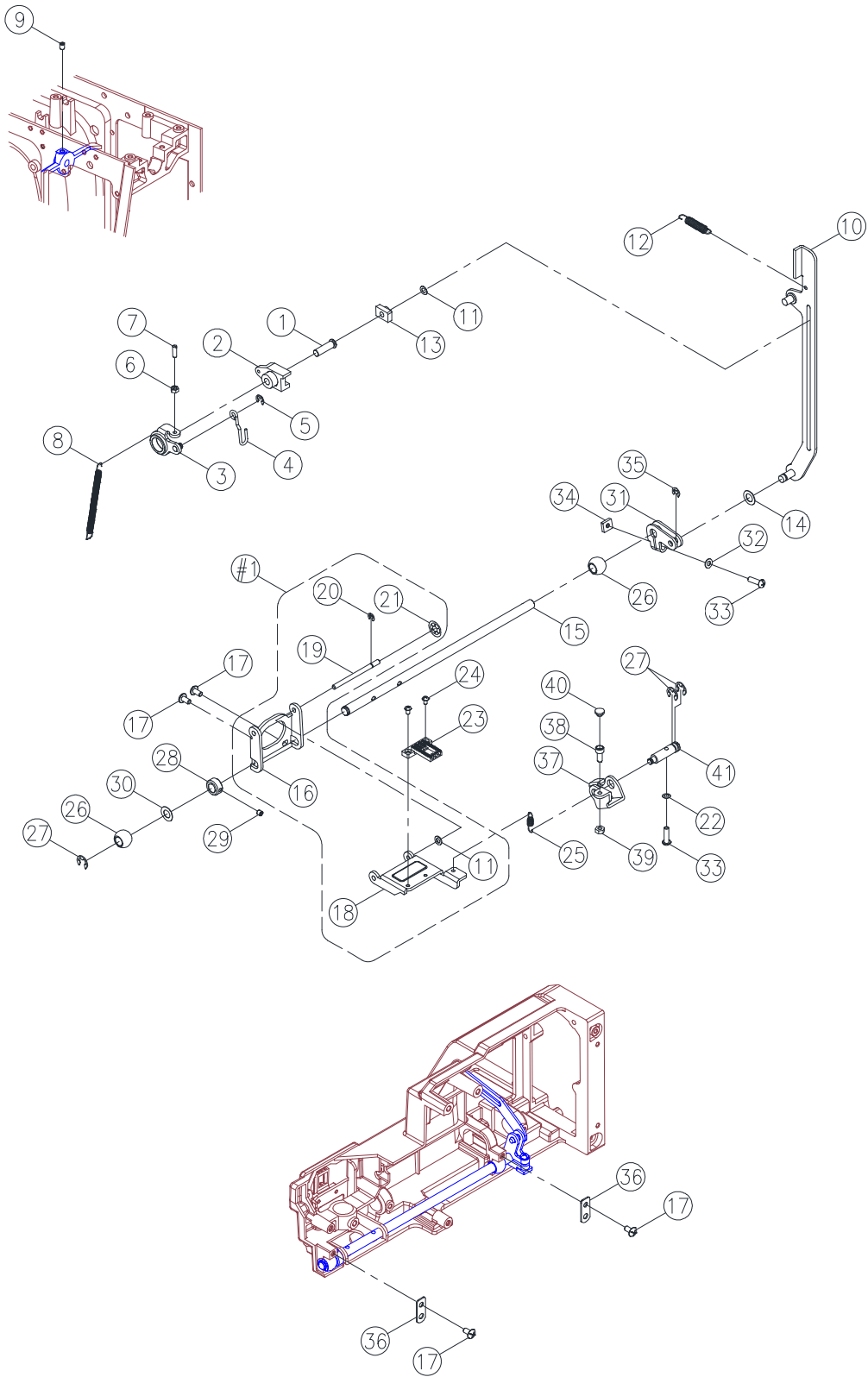


Ref No	Part No	Part Name
1	270 V61753002	NEEDLE BAR SUPPORTER FOR AUTO THREADER
1	68013215	NEEDLE BAR SUPPORTER
2	416245101	NEEDLE BAR SUPPORTER PIN FOR AUTO THREADER
2	270 N80223003	NEEDLE BAR SUPPORTER PIN
3	416183801	E-RING (ETW-5) FOR AUTO THREADER
3	416116301	E-RING (ETW-5)
4	416173601	NEEDLE BAR
5	416245301	NEEDLE CLAMP CPL.
6	416638901	NEEDLE BAR BRACKET (1)
7	416638901	NEEDLE BAR BRACKET (2)
8	416572001	PIN (2x12)
9	416639101	NEEDLE BAR CRANK ROD
10	270 004106202	SET SCREW (9/64x40x6)
11	416122401	SET SCREW (M4x4 C)
12	68013217	AUTO THREADER STOPPER FOR AUTO THREADER
13	68013218	SET SCREW (M3x4 C) FOR AUTO THREADER
14	416717201	AUTO THREADER SHAFT FOR AUTO THREADER
15	416117101	SPRING PIN (2x6) FOR AUTO THREADER
16	416117201	SPRING PIN (2x14) FOR AUTO THREADER
17	416157401	AUTO THREADER SHAFT SPRING FOR AUTO THREADER
18	270 R10083000	AUTO THREADER LERER FOR AUTO THREADER
19	416145801	AUTO THREADER FOR AUTO THREADER
20	416155001	AUTO THREADER LERER SPRING FOR AUTO THREADER
21	416121001	SET SCREW (M4x5 C)
22	416152701	NEEDLE BAR SUPPORTER SPRING
23		NEEDLE
24	270 V880153000	PRESSER BAR LIFTER LEVER
25	416162101	PRESSER BAR LIFTER LEVER SCREW WASHER
26	416121101	SET SCREW (M4x10 B)
27	416173401	PRESSER BAR
28	416525901	TENSION LEVER LIFTER
29	416151601	TENSION LEVER LIFTER SPRING
30	416151401	PRESSER BAR BRACKET
31	416151401	SET SCREW (M6x5 C)
32	416173501	PRESSER BAR SPRING
33	416128201	SHANK CPL.
34	416118401	SHANK SCREW (9/64x40x8)
34	416765601	SHANK SCREW (9/64x40x9.5) FOR FINGER PROTECTOR
35	416765801	FINGER PROTECTOR FOR ITALY

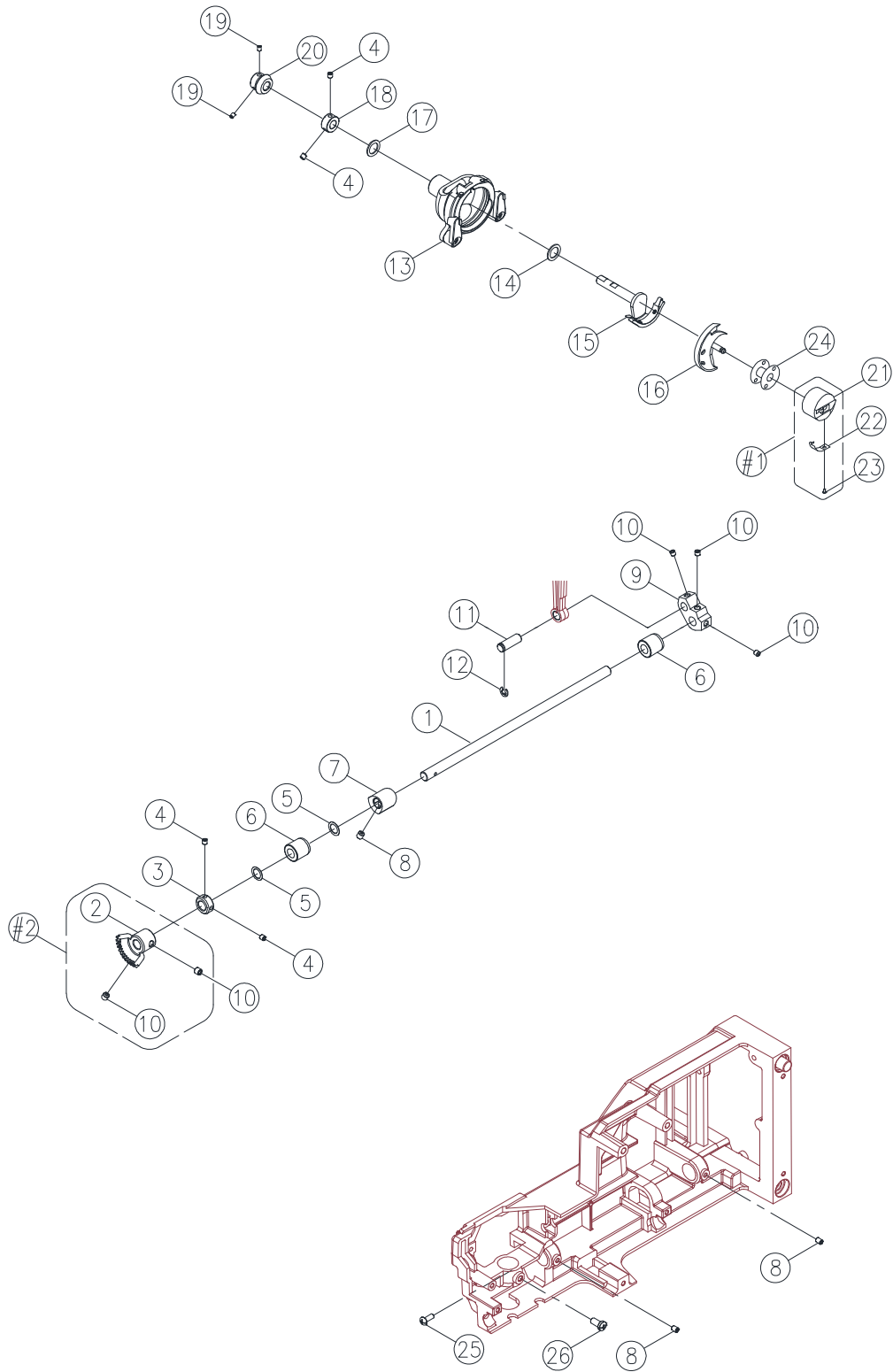




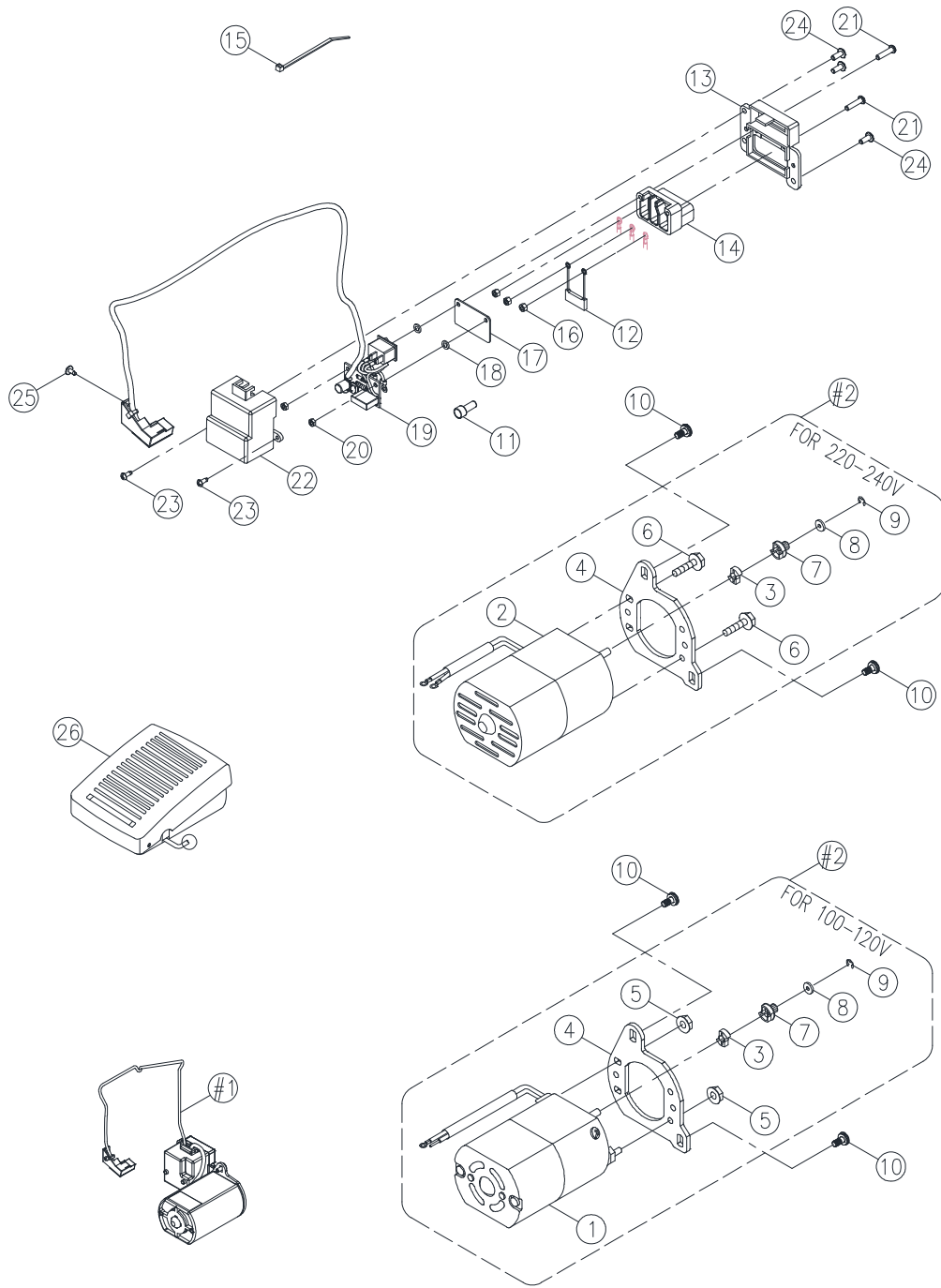
<u>Ref No</u>	<u>Part No</u>	<u>Part Name</u>
1	270 V70023003	NEEDLE BAR DRIVING ROD
2	416801101	NEEDLE BAR DRIVING ROD PIN
3	270 V70103003	ZIGZAG CONTACT SUPPORTER SHAFT
4	270 V70093003	ZIGZAG REGULATOR CRANK
5	416116301	E-RING (ETW-5)
6	270 V70103003	ROD
7	416116101	E-RING (ETW-4)
8	416522601	CARRYING HANDLE PLATE
9	416121501	SET SCREW (M4x8 A)
10	270 V61283006	LAMP BRACKET FOR AUTO THREADER
10	270 V6E0373006	LAMP BRACKET FOR NON-AUTO THREADER
11	416121201	SET SCREW (M4x6 B)
12	416171501	NEEDLE PLATE
13	416122901	NEEDLE PLATE CPL. SET SCREW



Ref No	Part No	Part Name
#1	68013224	FEED DOG FRAME CPL.
1	270 V60443000	FEED REGULATING SHAFT
2	270 V60433000	FEED REGULATING
3	68013221	FEED REGULATING PLATE CPL.
4	270 V60423003	FEED ROD
5	416116201	E-RING (ETW-4)
6	68015308	NUT( M4x0.7x2.1)
7	68017339	SET SCREW (M4x12 C)
8	270 V70063003	FEED REGULATING SPRING
9	416122101	SET SCREW (M4x6 C)
10	68017341	FORK ROD
11	416125201	ENDURE ATTRITION WASHER (5.7x10.2x0.5)
12	270 V60463003	FORK ROD SPRING
13	270 V11533000	FEED REGULATING BLOCK
14	270 004400450	ENDURE ATTRITION WASHER (5.5x12x0.25)
15	270 V60483000	FEED ROCK SHAFT
16	270 V60493003	FEET ROCK FRAME
17	416121501	SET SCREW (M4x8 A)
18	270 V60503003	FEED DOG FRAME
19	270 V60513003	FEED DOG FRAME SHAFT
20	416116001	E-RING (ETW-3)
21	270 003090043	NUT (SPN-4)
22	270 004600026	WASHER (4.2x7.2x1.2)
23	416171601	FEET DOG
24	270 004230056	SET SCREW (M3x5 B)
25	270 V60533003	FEED DOG FRAME SPRING
26	270 V60343000	FEED ROCK BUSHING
27	416116401	E-RING (ETW-6)
28	416151801	PATTERN CAM SHAFT COLLAR
29	416122401	SET SCREW (M4x4 C)
30	270 004400410	ENDURE ATTRITION WASHER (8.2x12x0.25)
31	270 V60553003	FEED ROCK CRANK
32	416124101	WASHER (4.2x8x0.8)
33	416121701	SET SCREW (M4x15 B)
34	270 004840073	FEED ROCK CRANK NUT (M4)
35	416116101	E-RING (ETW-4)
36	270 V60563003	BUSHING HOLDER PLATE
37	270 V60583003	FEED LIFTING ROCK CRANK
38	270 004250323	SEW SCREW
39	416126501	NUT (M4 t=3)
40	416154301	SEW SCREW KNOB
41	270 V60583003	FEED LIFTING ROCK SHAFT

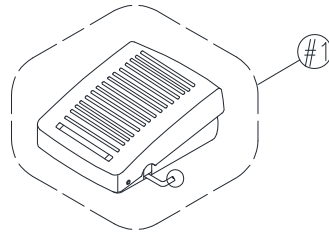
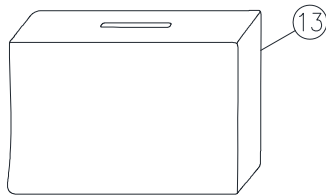
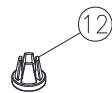
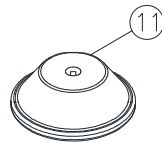
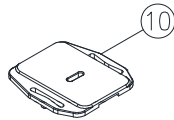
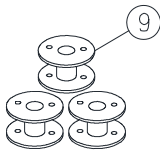
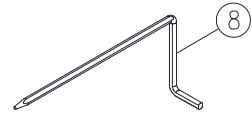
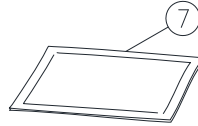
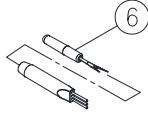
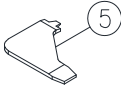
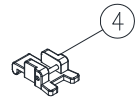
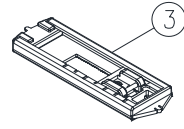
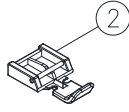
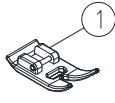


Ref No	Part No	Part Name
#1	416153401	BOBBIN CASE CPL.
#2	416245801	LOWER SHAFT GEAR CPL.
1	416527801	LOWER SHAFT
2	416245801	LOWER SHAFT GEAR
3	416158801	LOWER SHAFT COLLAR
4	416122401	SET SCREW (M4x4 C)
5	270 004400410	ENDURE ATTRITION WASHER (8.2x12x0.25)
6	416141701	FEED ROCK BUSHING
7	270 V6E1123000	FEED LIFTING ROCK CAM
8	416122101	SET SCREW (M4x6 C)
9	270 V60354000	CRANK CONNECTING ROD CRANK
10	270 004250203	SET SCREW (M5x5 C)
11	270 V10833003	CRANK CONNECTING ROD CRANK PIN
12	416116301	E-RING (ETW-5)
13	68000176	OPEN SHUTTLE RACE CPL.
14	416125701	ENDURE ATTRITION WASHER (7.6x12x0.13)
15	68000174	SHUTTLE DRIVER CPL.
16	416392101	SHUTTLE HOOK (4.6MM)
17	416125301	ENDURE ATTRITION WASHER (8.2x16x0.5)
18	416153101	SHUTTLE DRIVER SHAFT COLLAR
19	270 004107293	SET SCREW (11/64x40x4)
20	270 G4A1583000	SHUTTLE DRIVER SHAFT GEAR
21	416153401	BOBBIN CASE
22	416153401	BOBBIN CASE SPRING
23	416153401	BOBBIN CASE SPRING SET SCREW
24	68000175	BOBBIN
25	416121101	SET SCREW (M4x10 B)
26	68013169	SET SCREW (M5x10 B)



Ref No	Part No	Part Name
#1	68017313	MOTOR ELECTRIC WIRE CPL. FOR 120V / US
#1	68017322	MOTOR ELECTRIC WIRE CPL. FOR 230V / EU.
#2	68017476	MOTOR CPL. FOR 120V / US
#2	68017475	MOTOR CPL. FOR 230V / EU.
1	68003572	MOTOR FOR 120V / US
2	416430001	MOTOR FOR 230V / EU.
3	416129401	CUSHION RUBBER
4	68016482	MOTOR BRACKET
5	270 004840131	NUT (M4 t=5.5) FOR 120V
6	416521501	SET SCREW (M4x10.2) FOR 220V-240V
7	416114501	BELT WHEEL
8	416114501	MOTOR FEED REGULATOR COLLAR
9	416116001	E-RING (ETW-3)
10	68013176	SET SCREW (M5x12)
11	416126201	SPRING WASHER (5.2x9x1)
12	416224801	SET SCREW (M5x12)
13	270 002252129	RECEPTACLE HOLDER
14	416184701	RECEPTACLE
15	416113901	CORD CLIP
16	270 004840120	NUT (M3x4)
17	416183601	CONCERT INSULATION PLATE
18	68013231	WASHER
19	416732501	LED HOLDER CPL. FOR 120V
19	416732601	LED HOLDER CPL. FOR 220V-240V
20	416302901	NUT (M3 t=2.3)
21	68013281	SET SCREW (M3x25 B)
22	416803701	RECEPTACLE HOLDER COVER
23	416119701	SET SCREW (M3x8 B)
24	416121501	SET SCREW (M4x8 A)
25	416686701	SET SCREW (M3x5)
26	416133001	END TERMED
27	68013175	CONDENSER FOR 220V-240V
28	270 002V8E4003	FOOT CONTROLLER FOR 120V / US
28	68001147	FOOT CONTROLLER FOR 230V / EU.

L





<u>Ref No</u>	<u>Part No</u>	<u>Part Name</u>
#1	68016387	FOOT CONTROLLER BAG CPL.
1	416128401	ALL PURPOSE FOOT (J)
2	416128701	ZIPPER FOOT (I)
3	416128901	BUTTONHOLE FOOT (B)
4	416284501	BUTTON SEWING FOOT (H)
5	68000177	L-SCREWDRIVER
6	416127701	SEAM RIPPER / BRUSH
7		NEEDLE
8	416127101	EDGE / QUILTING GUIDE
9	68000175	BOBBIN
10	416127901	DARNING PLATE
11	416500701	SPOOL HOLDER (LARGE)
12	416500801	SPOOL HOLDER (SMALL)
13	68016488	SOFT COVER