

BUYER'S MODEL NO. 14J334

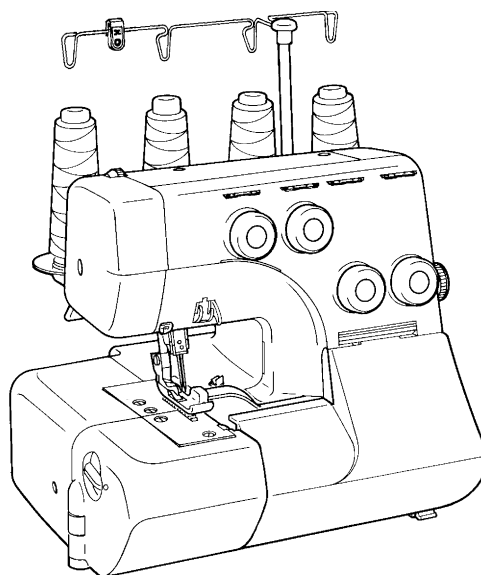
FACTORY MODEL CA05561

ORIGINAL ISSUE March, 1999

SECTION —

REFER TO IMPORTANT NOTICE BELOW


# PARTS LIST FOR SERGER MODEL 14J334



### IMPORTANT:

WHEN ORDERING THE PARTS ALWAYS CHECK THE SERIAL NUMBER OF THE MACHINE.

FIRST DIGIT OF THE SERIAL NUMBER MUST MATCH WITH THE LAST DIGIT OF THE FACTORY MODEL ABOVE.

SINGER	
FACTORY MODEL <b>14J334</b>	SERIAL-NO. DE SÉRIE 1 × × × × × ×
 LISTED 646S US E61486 SEWING MACHINE	120V 1.3A 60Hz MADE IN CHINA FABRIQUE EN CHINE

FIRST DIGIT

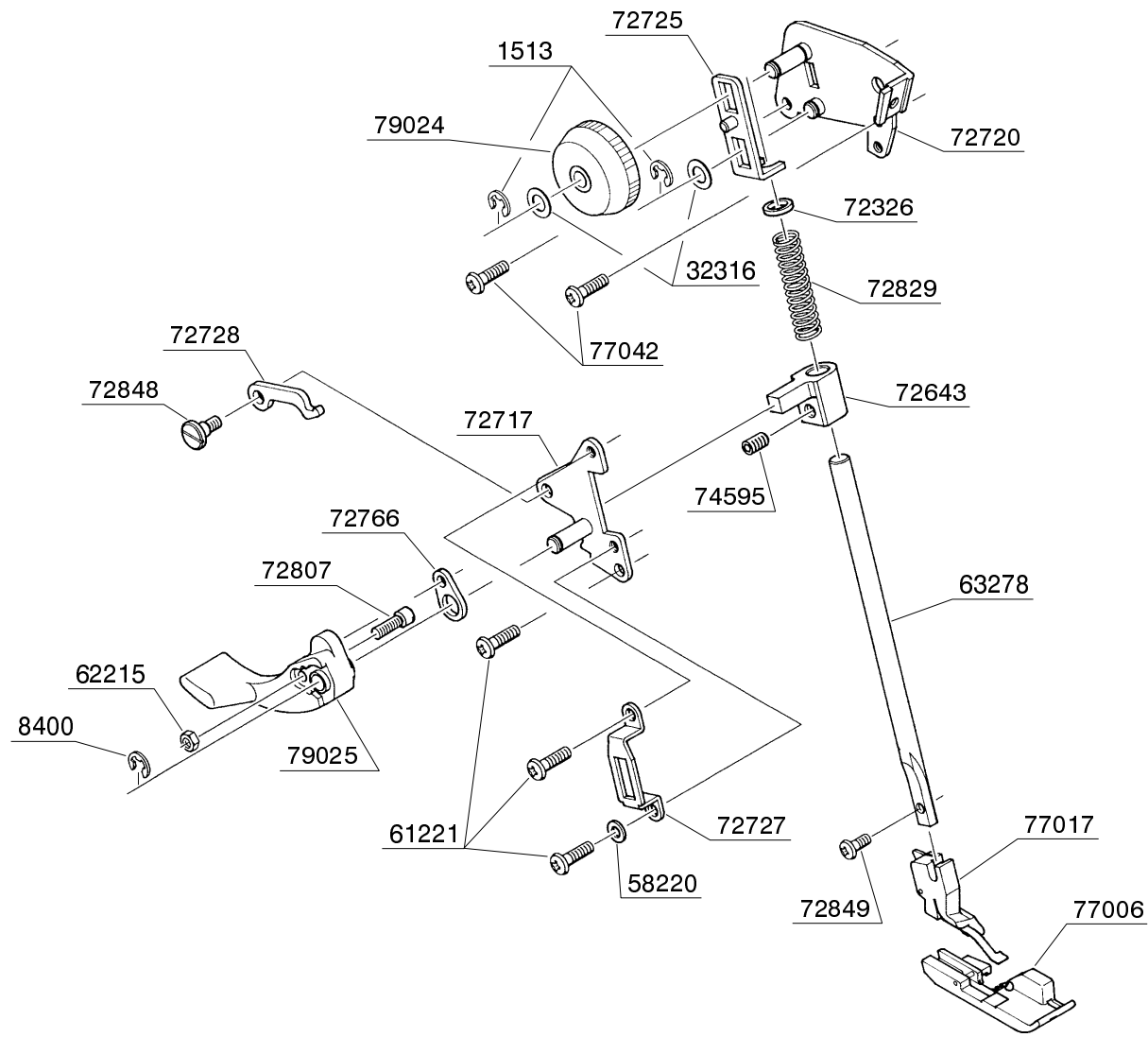
# SINGER

BUYER'S MODEL NO.	14J334	SECTION	PAGE	REVISION	REMARKS	PART NO.	DESCRIPTION
BUYER'S MODEL NAME		—	1			43389	THRUST WASHER
FACTORY MODEL	CA05561					44066	SPRING PIN
ORIGINAL ISSUE	March, 1999	SERIAL NO.				47181	M4 PHILIPS SCREW
						57746	TAPPING SCREW
						66474	M5 SCREW
						66725	M4 SCREW
						67447	M5 SCREW
						68922	WASHER
						72271	BALL JOINT
						72376	BALANCE CAM
						72622	CRANK ROD
						72623	ECCENTRIC CAM
						72629	SLIDE BLOCK
						72631	ECCENTRIC CAM
						72634	CRANK ROD
						72635	ECCENTRIC CAM
						72636	CONNECTING ROD END
						72637	ECCENTRIC CAM
						72638	ECCENTRIC CAM
						72641	LOOPER DRIVING ARM
						72667	BELT PULLEY
						72679	NYLON WASHER
						72780	MAIN SHAFT
						72788	M4 STUD SCREW
						72806	M5 SCREW
						72858	WASHER
						73472	COLLAR
						77042	M4 PHILIPS SCREW
						79021	HAND WHEEL

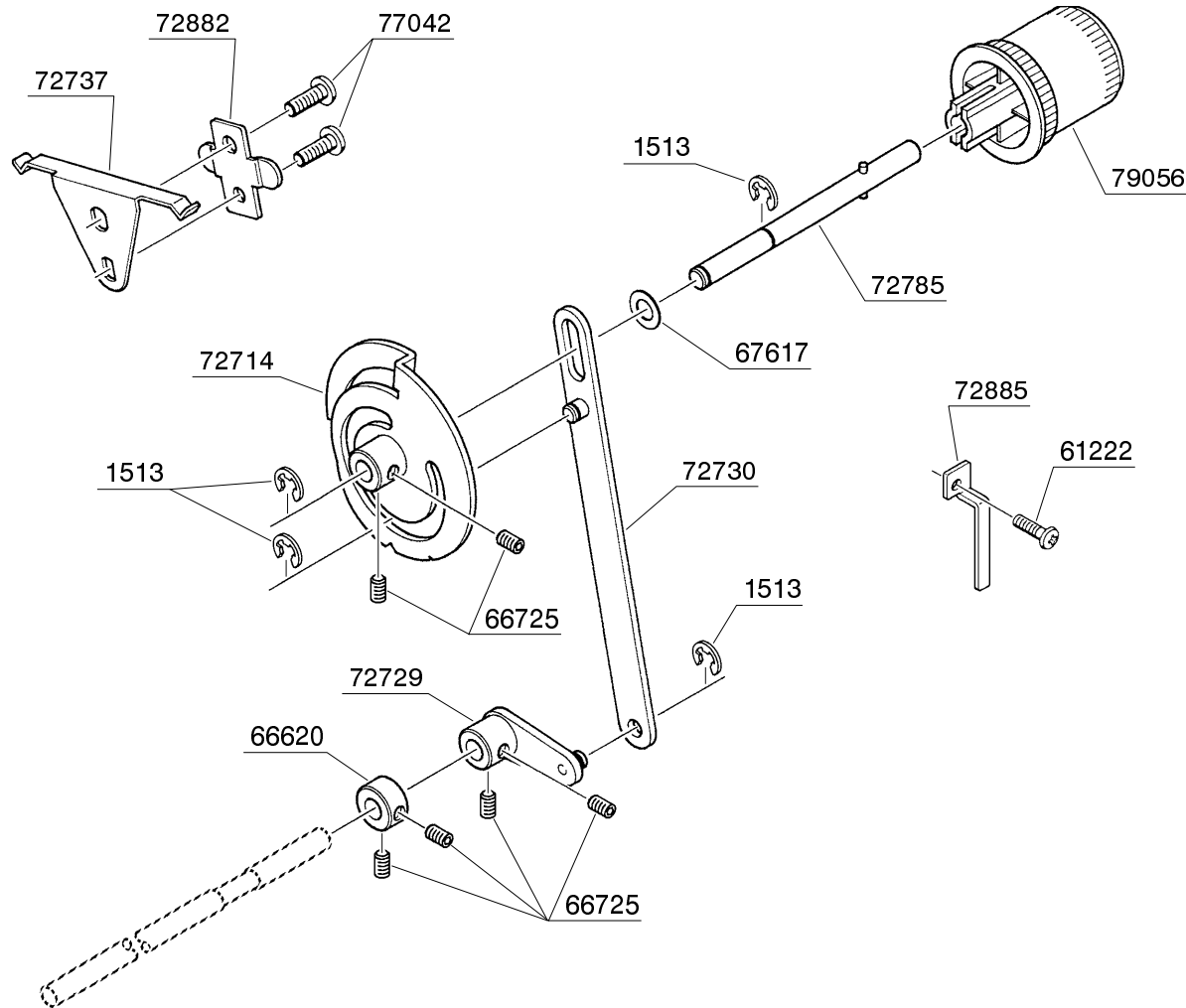
BUYER'S MODEL NO.	14J334	SECTION	PAGE	REVISION	REMARKS	PART NO.	DESCRIPTION
BUYER'S MODEL NAME		—	2			8400	E5 CLIP-ON-WASHER
FACTORY MODEL	CA05561						32316
ORIGINAL ISSUE	March, 1999	SERIAL NO.				64179	SPRING PIN
						66620	COLLAR
						66725	M4 SCREW
						67447	M5 SCREW
						72271	BALL JOINT
						72341	THRUST WASHER
						72379	ECCENTRIC CAM
						72603	FEED ARM
						72624	FEED BASE
						72625	D.F. FEED BASE
						72626	FEED REGULATING ARM
						72632	FEED REGULATING BLOCK
						72633	SLIDE BLOCK
						72734	WASHER
						72781	SHAFT
						72792	PIN
						72798	PIN
						72802	SHAFT
						72803	SHAFT
						72813	M3.5 SCREW
						72825	TORSION SPRING
						77015	REAR FEED DOG
						77016	FRONT FEED DOG
						77039	SLIDE BLOCK
						77042	M4 PHILIPS SCREW

BUYER'S MODEL NO.	14J334	SECTION		PAGE	3	REVISION		REMARKS		PART NO.	DESCRIPTION
BUYER'S MODEL NAME										1513	E4 CLIP-ON-WASHER
FACTORY MODEL	CA05561									2206	WASHER
ORIGINAL ISSUE	March, 1999	SERIAL NO.								24133	PIPE KNOCK PIN
										37910	CLIP-ON-WASHER
										43390	THRUST WASHER
										44044	STUD
										61221	M4 PHILIPS SCREW
										64204	M4 PHILIPS SCREW
										66437	BUSH
										66474	M5 SCREW
										66725	M4 SCREW
										67440	CRANK-ROD ARM
										67444	COLLAR
										67447	M5 SCREW
										67455	HOLDER
										67847	#7 SCREW
										72270	NEEDLE CLAMP
										72274	M3 SCREW
										72287	NEEDLE BAR CRANK
										72337	THREAD GUIDE
										72596	NEEDLE
										72612	MAIN SHAFT ARM LEVER
										72750	THREAD GUIDE
										72751	OSCILLATING LEVER
										72752	CONNECTING ARM
72776	THREAD GUIDE										
72777	NEEDLE BAR										
72779	UPPER SHAFT										
72796	PIN										
72797	CENTER PIN										
72855	THREADER POSITIONER										

BUYER'S MODEL NO.	14J334	SECTION	—	PAGE	4	REVISION		REMARKS		PART NO.	DESCRIPTION
BUYER'S MODEL NAME										1513	E4 CLIP-ON-WASHER
FACTORY MODEL	CA05561									8400	E5 CLIP-ON-WASHER
ORIGINAL ISSUE	March, 1999	SERIAL NO.								32316	WASHER
										58220	WASHER
										61221	M4 PHILIPS SCREW
										62215	M4 NUT
										63278	PRESSER BAR
										72326	WASHER
										72643	PRESSER BAR GUIDE BLOCK
										72717	BRACKET
										72720	BRACKET
										72725	GUIDE PLATE
										72727	GUIDE PLATE
										72728	TENSION RELEASE LEVER
										72766	LIFTER
										72807	M4 STUD SCREW
										72829	COMPRESSION SPRING
										72848	#4 STUD SCREW
										72849	#7 PHILIPS SCREW
										74595	M5 SCREW
										77006	PRESSER FOOT
										77017	PRESSER FOOT HOLDER
										77042	M4 PHILIPS SCREW
										79024	PRESSER CONTROL KNOB
										79025	PRESSER FOOT LIFTING LEVER



BUYER'S MODEL NO.	14J334	SECTION	—	PAGE	5	REVISION		REMARKS		PART NO.	DESCRIPTION
BUYER'S MODEL NAME										1513	E4 CLIP-ON-WASHER
FACTORY MODEL	CA05561									61222	M4 PHILIPS SCREW
ORIGINAL ISSUE	March, 1999	SERIAL NO.								66620	COLLAR
										66725	M4 SCREW
										67617	WASHER
										72714	STITCH LENGTH CONTROL CAM
										72729	STITCH LENGTH CONTROL ARM
										72730	CONNECTING PLATE
										72737	LEAF SPRING
										72785	SHAFT
										72882	STOPPER
										72885	STOPPER
										77042	M4 PHILIPS SCREW
										79056	STITCH LENGTH CONTROL DIAL



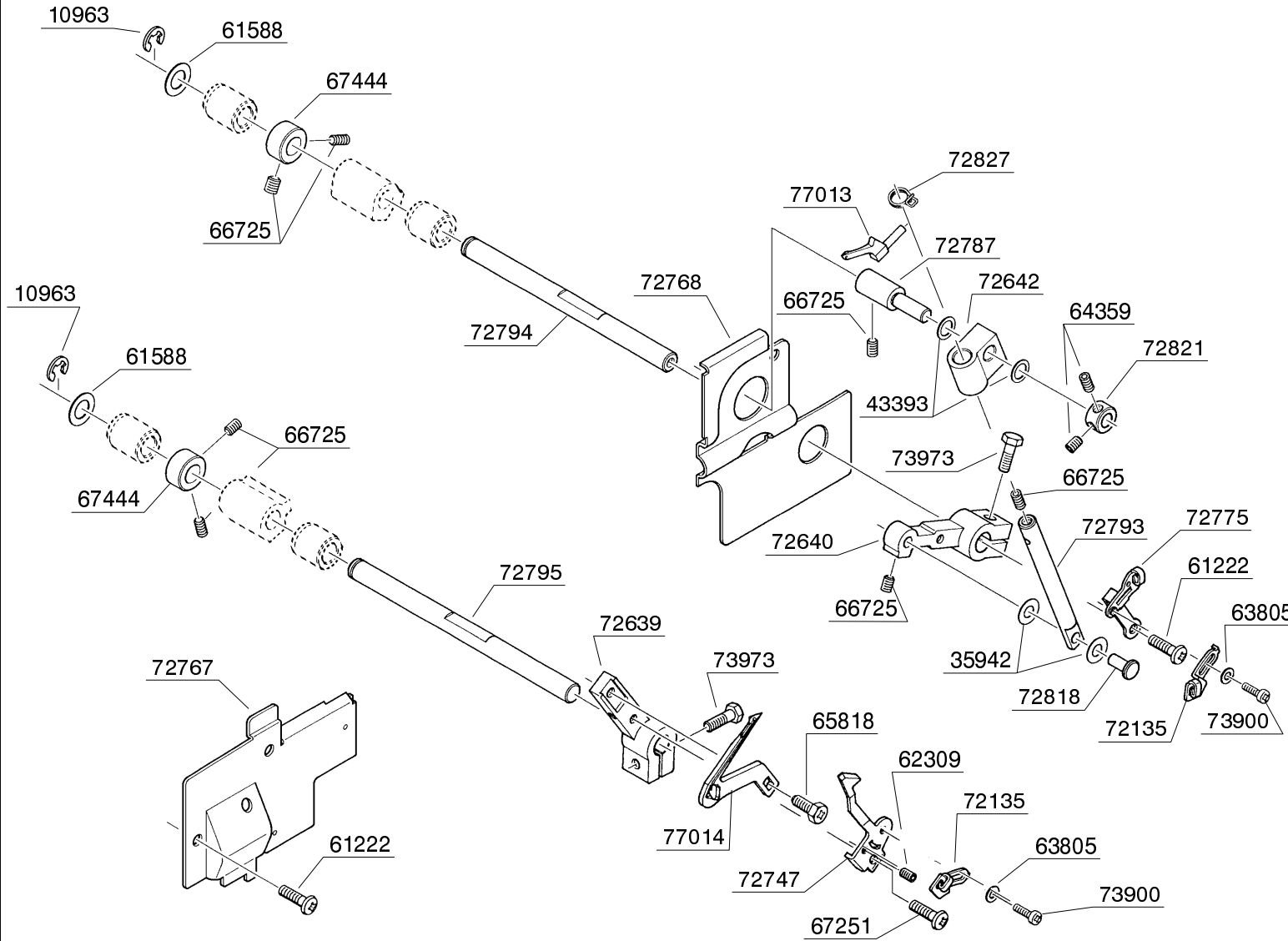
BUYER'S MODEL NO.	14J334	SECTION	PAGE	REVISION	REMARKS	PART NO.	DESCRIPTION
BUYER'S MODEL NAME		—	6			1513	E4 CLIP-ON-WASHER
FACTORY MODEL	CA05561						1520
ORIGINAL ISSUE	March, 1999	SERIAL NO.				2206	WASHER
						46293	CLIP-ON-WASHER
						62215	M4 NUT
						66352	M4 PHILIPS SCREW
						66437	BUSH
						66620	COLLAR
						66725	M4 SCREW
						72627	FEED CONTROL LOCKING ARM
						72628	D.F. LINK
						72633	SLIDE BLOCK
						72644	SLIDE BLOCK
						72683	D.F. ARM
						72686	CONNECTING ROD
						72731	D.F. ARM (A)
						72733	D.F. ARM (C)
						72735	D.F. ARM (D)
						72736	CONNECTING PLATE
						72786	SHAFT
						72799	PIN
						72800	PIN
						72801	SHAFT
						72804	PIN
						72805	SHAFT
72835	HOOK FOR SPRING						
72836	EXTENSION SPRING						
72837	TORSION SPRING						
79031	D.F. DIAL						

BUYER'S MODEL NO.	14J334	SECTION	PAGE	REVISION	REMARKS	PART NO.	DESCRIPTION
BUYER'S MODEL NAME		—	7			1615	WASHER
FACTORY MODEL	CA05561					2744	WASHER
ORIGINAL ISSUE	March, 1999	SERIAL NO.				4844	WASHER
						8400	E5 CLIP-ON-WASHER
						10963	E6 CLIP-ON-WASHER
						61224	M4 PHILIPS SCREW
						62309	M3 SCREW
						63173	PIN
						63501	WASHER
						64653	M3 SCREW
						66725	M4 SCREW
						67445	COLLAR
						67447	M5 SCREW
						72160	STUD
						72165	KNIFE RELEASE KNOB
						72168	COLLAR
						72169	KNOB MOUNTING BRACKET
						72171	LINK (B)
						72180	STUD
						72183	M3.5 BOLT
						72187	COMPRESSION SPRING
						72191	STUD
						72207	COMPRESSION SPRING
						72258	DRIVING ARM
						72261	SHAFT
						72296	COMPRESSION SPRING
						72392	SPRING PLATE
						72645	LINK
						72646	POSITIONER
						72704	LOWER KNIFE HOLDER
72744	NEEDLE PLATE HOLDER						
72745	LEAF SPRING						
72759	LEVER						
72791	M4 SCREW						
72815	SHAFT						
72817	SHAFT						
72819	HEXAGONAL PIN						
72838	STUD						
77005	LOWER KNIFE						
77042	M4 PHILIPS SCREW						
77044	M3 PHILIPS SCREW						
77053	M3 PHILIPS SCREW						
77073	UPPER KNIFE						
79026	CONTROL KNOB						
79029	LOWER KNIFE COVER						

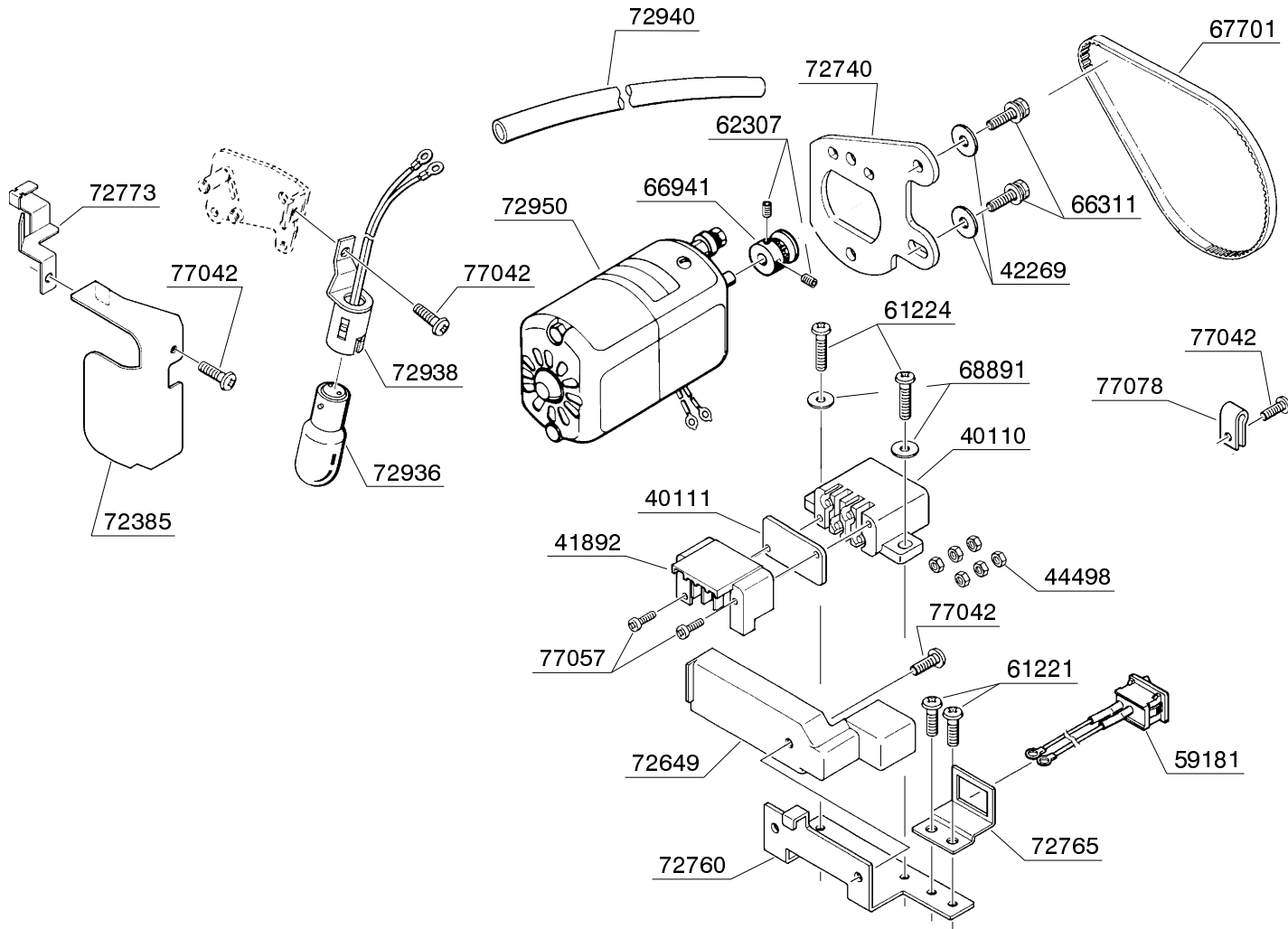


BUYER'S MODEL NO.	14J334	SECTION		PAGE		REVISION		REMARKS	
BUYER'S MODEL NAME		—	8					PART NO.	DESCRIPTION
FACTORY MODEL	CA05561					ORIGINAL ISSUE	March, 1999	SERIAL NO.	
						63163	KNIFE LEVER ASSEMBLY		
						63171	FIXING BASE		
						63264	M5 BOLT WITH WASHER		
						63514	STUD		
						66725	M4 SCREW		
						67445	COLLAR		
						72746	NEEDLE PLATE HOLDER		
						72748	NEEDLE RECEIVER (B)		
						72791	M4 SCREW		
						72812	SHAFT		
						72899	NEEDLE PLATE		
						77042	M4 PHILIPS SCREW		
						77056	WASHER		

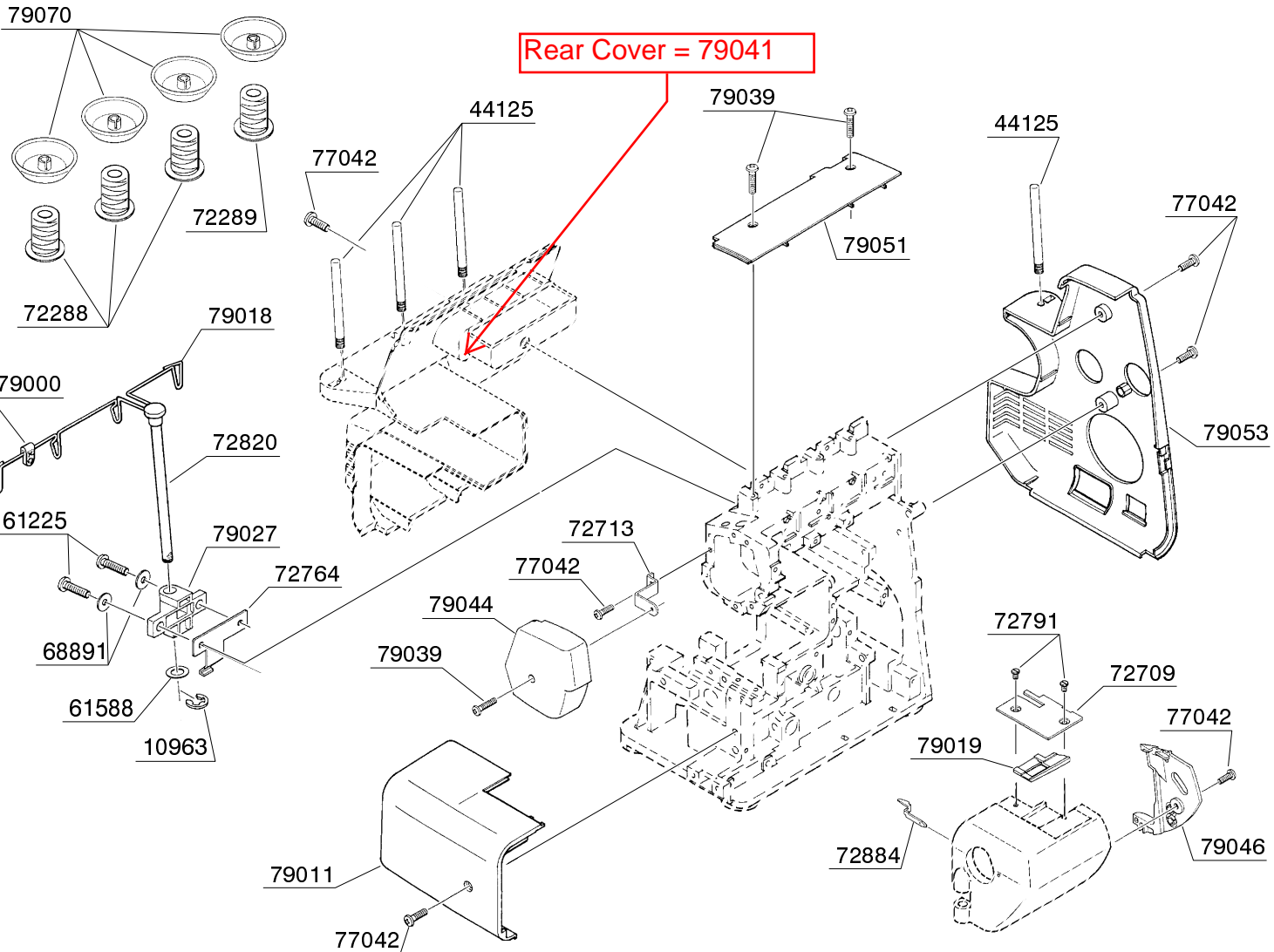
BUYER'S MODEL NO.	14J334	SECTION	PAGE	REVISION	REMARKS	PART NO.	DESCRIPTION
BUYER'S MODEL NAME		—	9			10963	E6 CLIP-ON-WASHER
FACTORY MODEL	CA05561			35942	THRUST WASHER		
ORIGINAL ISSUE	March, 1999			43393	WASHER		
		SERIAL NO.				61222	M4 PHILIPS SCREW
						61588	WASHER
						62309	M3 SCREW
						63805	WASHER
						64359	M4 SCREW
						65818	M4 BOLT
						66725	M4 SCREW
						67251	M3.5 PHILIPS SCREW
						67444	COLLAR
						72135	THREAD GUIDE (B)
						72639	LOOPER BASE
						72640	UPPER LOOPER SUPPORTING ARM
						72642	PIVOT
						72747	NEEDLE RECEIVER (A)
						72767	BED COVER
						72768	LOOPER COVER
						72775	THREAD GUIDE (A)
						72787	PIN
						72793	LOOPER SLIDE SHAFT
						72794	SHAFT
						72795	SHAFT
						72818	PIN
						72821	COLLAR
						72827	THREAD GUIDE
						73900	M3 PHILIPS SCREW
						73973	M4 BOLT
						77013	UPPER LOOPER
						77014	LOWER LOOPER



BUYER'S MODEL NO.	14J334	SECTION	PAGE	REVISION	REMARKS	PART NO.	DESCRIPTION
BUYER'S MODEL NAME		—	10			40110	TERMINAL BLOCK
FACTORY MODEL	CA05561					40111	TERMINAL BLOCK COVER
ORIGINAL ISSUE	March, 1999	SERIAL NO.				41892	TERMINAL BLOCK COVER
						42269	WASHER
						44498	M3 NUT
						59181	SWITCH ASSEMBLY
						61221	M4 PHILIPS SCREW
						61224	M4 PHILIPS SCREW
						62307	M4 SCREW
						66311	M5 BOLT WITH WASHER
						66941	MOTOR PULLEY
						67701	TIMING BELT
						68891	WASHER
						72385	REFLECTION PLATE
						72649	TERMINAL CASE
						72740	VINYL TUBE
						72760	TERMINAL BRACKET
						72765	SWITCH BRACKET
						72773	CORD GUIDE
						72936	LIGHT BULB
						72938	HARNES
						72940	MOTOR BRACKET
						72950	MOTOR
						77042	M4 PHILIPS SCREW
						77057	M3 PHILIPS SCREW
						77078	CORD GUARD



BUYER'S MODEL NO.	14J334	SECTION		PAGE	11	REVISION		REMARKS		PART NO.	DESCRIPTION
BUYER'S MODEL NAME		—	11						10963	E6 CLIP-ON-WASHER	
FACTORY MODEL	CA05561								44125	SPOOL PIN	
ORIGINAL ISSUE	March, 1999	SERIAL NO.							61225	M4 PHILIPS SCREW	
									61588	WASHER	
									68891	WASHER	
									72288	THREAD	
									72289	THREAD	
									72709	LOVER PLATE	
									72713	BRACKET	
									72764	LEAF SPRING	
									72791	M4 SCREW	
									72820	EXTENSION BAR	
									72884	DETACHABLE INSERT PLATE	
									77042	M4 PHILIPS SCREW	
									79000	DETACHABLE CORD GUIDE	
									79011	BED COVER	
									79018	THREAD GUIDE	
									79019	GUIDE PLATE	
									79027	HOLDER	
									79039	M4 PHILIPS SCREW	
									79044	FACE COVER	
									79046	SHUTTER	
									79051	TOP COVER	
									79053	SIDE COVER	
									79070	SPOOL PIN CAP	

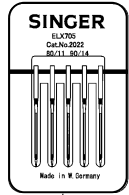


BUYER'S MODEL NO.	14J334	SECTION	—	PAGE	12-1	REVISION	August, 2000	REMARKS		PART NO.	DESCRIPTION
BUYER'S MODEL NAME										58024	TAPPING SCREW
FACTORY MODEL	CA05561									61225	M4 PHILIPS SCREW
ORIGINAL ISSUE	March, 1999	SERIAL NO.								64618	TAPPING SCREW
										72395	THREAD GUIDE
										72757	THREAD GUIDE (A)
										72840	SPONGE
										72842	THREADING SHEET
										72871	MOUNTING BRACKET
										72875	THREAD GUIDE PLATE
										72879	THREAD GUIDE
										72891	THREAD GUIDE
										77042	M4 PHILIPS SCREW

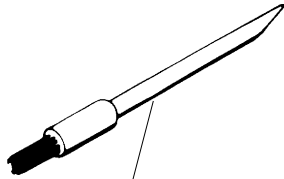
BUYER'S MODEL NO.	14J334	SECTION	PAGE	REVISION	REMARKS	PART NO.	DESCRIPTION
BUYER'S MODEL NAME		—	12-2	August, 2000		8400	E5 CLIP-ON-WASHER
FACTORY MODEL	CA05561						39160
ORIGINAL ISSUE	March, 1999	SERIAL NO.				50977	D.T. DIAL ASSEMBLY
						50978	D.T. DIAL ASSEMBLY
						50979	D.T. DIAL ASSEMBLY
						50980	D.T. DIAL ASSEMBLY
						55599	SPRING PIN
						72344	SHAFT
						72347	PRESSER DISC RECEIVER
						72348	COMPRESSION SPRING
						72349	COMPRESSION SPRING
						72350	TOOTHED WASHER
						72351	TORSION SPRING
						72369	D.T. GUIDE PLATE
						72726	DIAL TENSION DISC (B)
						72749	DIAL TENSION DISC (A)
						72761	PRESSER DISC
						72830	COMPRESSION SPRING
						72831	COMPRESSION SPRING
						72892	BUSHING
						79002	D.T. DIAL

BUYER'S MODEL NO.	14J334	SECTION	PAGE	REVISION	REMARKS	PART NO.	DESCRIPTION
BUYER'S MODEL NAME		—	13			1520	E3 CLIP-ON-WASHER
FACTORY MODEL	CA05561						39160
ORIGINAL ISSUE	March, 1999	SERIAL NO.				61224	M4 PHILIPS SCREW
						62016	TAPPING SCREW
						68891	WASHER
						72598	RUBBER CUSHION
						72662	BASE
						72681	COMPRESSION SPRING
						72753	HINGED BRACKET (A)
						72754	HINGED BRACKET (B)
						72808	SHAFT
						72841	SPONGE HOLDER
						77042	M4 PHILIPS SCREW
						79045	FRONT COVER
						79047	LINT BOX
						79052	INNER ATTACHMENT CASE

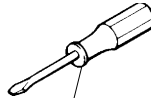
BUYER'S MODEL NO.	14J334	SECTION	PAGE	REVISION	REMARKS	PART NO.	DESCRIPTION
BUYER'S MODEL NAME		—	14			45773	CUSHION HOLDER
FACTORY MODEL	CA05561						50949
ORIGINAL ISSUE	March, 1999	SERIAL NO.				59455	EXTENSION PLATE
						63398	SEWING MACHINE OIL
						63523	NET
						65650	CLEANING BRUSH
						69949	BOOK(ENG.,SPA.)
						72391	STITCH FINGER
						72534	DUST COVER
						72597	NEEDLE SET
						72828	TWEEZERS
						72847	ACCESSORY VINYL BAG
						72917	FOOT CONTROL
						74793	SMALL SCREW DRIVER



72597



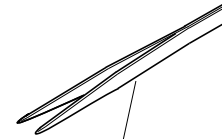
65650



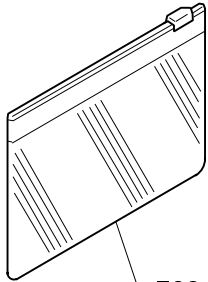
74793



63398



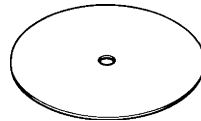
72828



72847



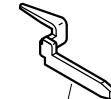
63523



59455

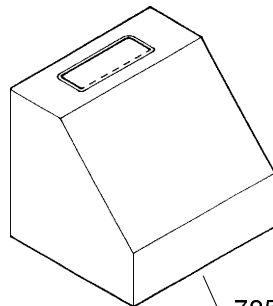


45773

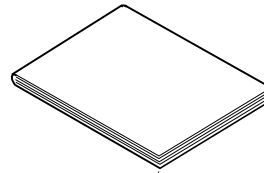


72391

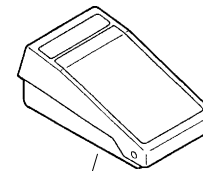
50949



72534



69949



72917