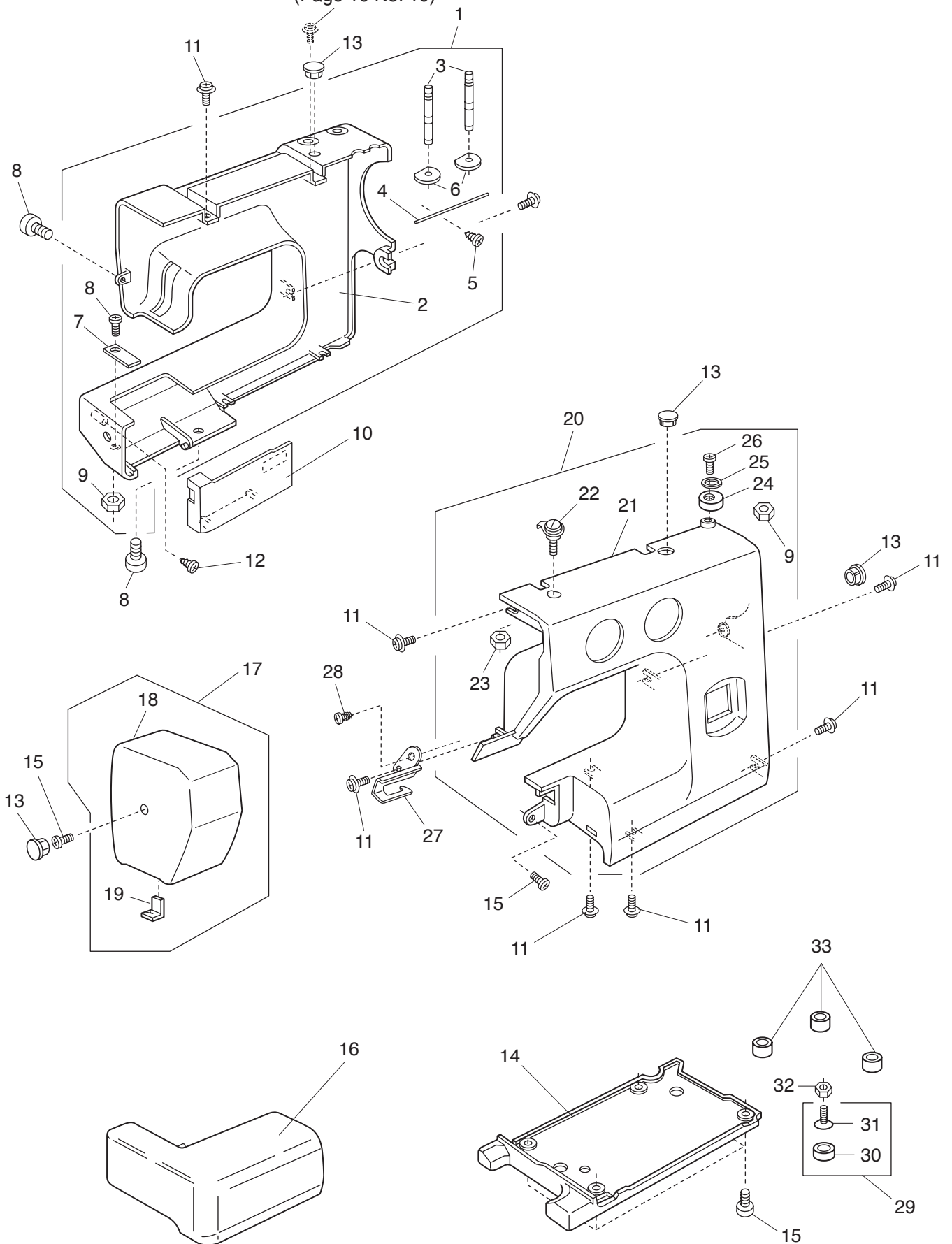


# PARTS LIST

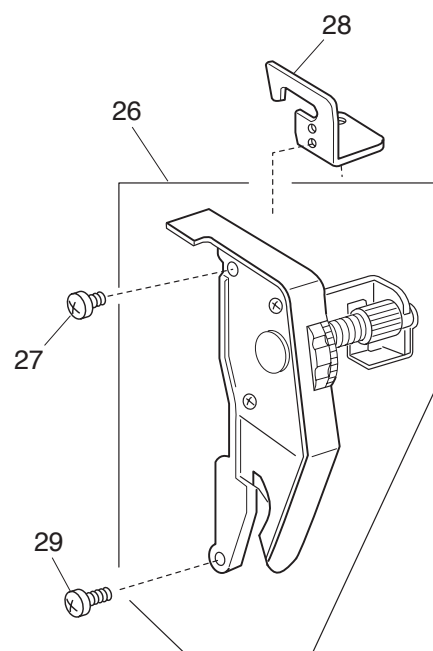
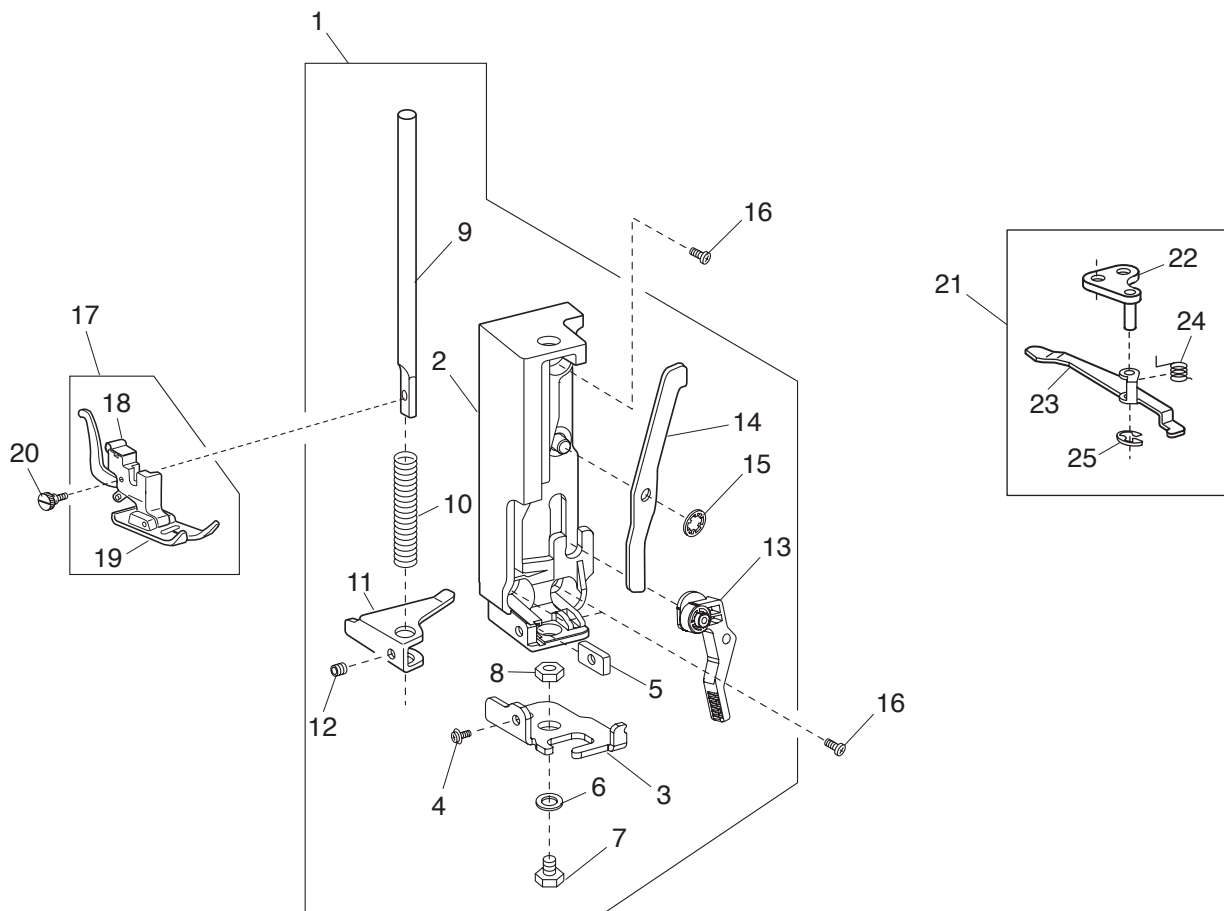
(Page 10 No. 10)



## PARTS LIST

KEY NO.	PARTS NO.	DESCRIPTION
1	743617103	Rear cover (unit)
2	743003063	Rear cover
3	652205006	Spool pin
4	736007009	Spool pin spring
5	000161206	Setscrew 3x10 (B)
6	735013005	Spool pin spring base
7	730006000	Spring
8	000101404	Setscrew 4x6
9	000061205	Nut 4-3-7
10	739004005	Bed cover plate
11	000115205	Setscrew TP 4x6
12	000121905	Setscrew 4x12 (B)
13	653006101	Cap
14	739005006	Base plate
15	000081005	Setscrew 4x8
16	743004008	Extension table
17	743602828	Face cover (unit)
18	743005906	Face cover
19	840602006	Thread cutter (unit)
20	743674119	Front cover (unit)
21	743016A31	Front cover
22	730501011	Thread guide plate (unit)
23	000160102	Adjustable lock nut 4
24	735016307	Bobbin winder stopper
25	000071013	Washer 4
26	000103107	Setscrew 4x14
27	740022003	Thread guide plate
28	000107307	Setscrew 3x8 (B)
29	735616200	Rubber base (unit)
30	735002001	Rubber base
31	000097901	Flat screw 5x18
32	000061319	Nut 5-1-8
33	739064003	Bed rubber base

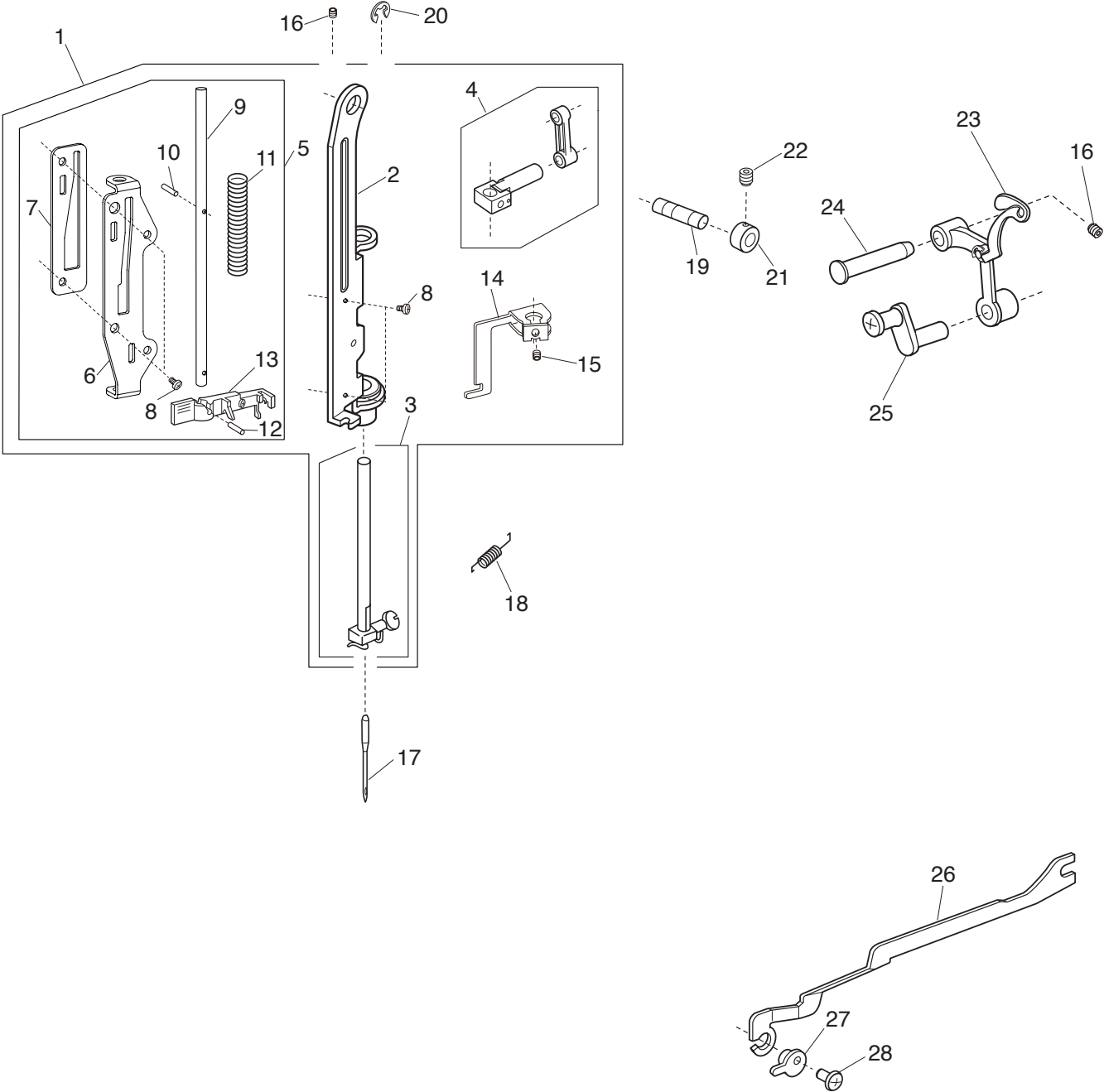
# PARTS LIST



## PARTS LIST

KEY NO.	PARTS NO.	DESCRIPTION
1	311605107	Presser bar base plate (unit)
2	311009002	Presser bar base plate
3	311031003	Needle drop adjusting plate
4	000115009	Setscrew TP 3x8
5	311023002	Nut
6	000070506	Washer 4
7	000138606	Bolt 4x10
8	000062402	Nut 4-2-7
9	303017101	Presser bar
10	735027002	Presser bar spring
11	735028003	Presser bar bracket
12	000111500	Hexagonal socket screw 4x8
13	311010006	Presser foot lifter
14	735030008	Tension release lever
15	000013903	Snap ring CS-5
16	000081005	Setscrew 4x8
17	301612003	Presser foot (unit)
18	611510000	Presser foot holder (unit)
19	301505002	Zigzag foot (unit)
20	660106001	Thumbscrew
21	739605002	Tension release arm (unit)
22	739017001	Tension release arm base
23	739018002	Tension release arm
24	739019003	Tension release spring
25	000002105	Snap ring E-3
26	743501000	Tension assembly (unit)
27	000103808	Setscrew 3x5
28	739016000	Top cover thread guide
29	000101703	Setscrew 4x12

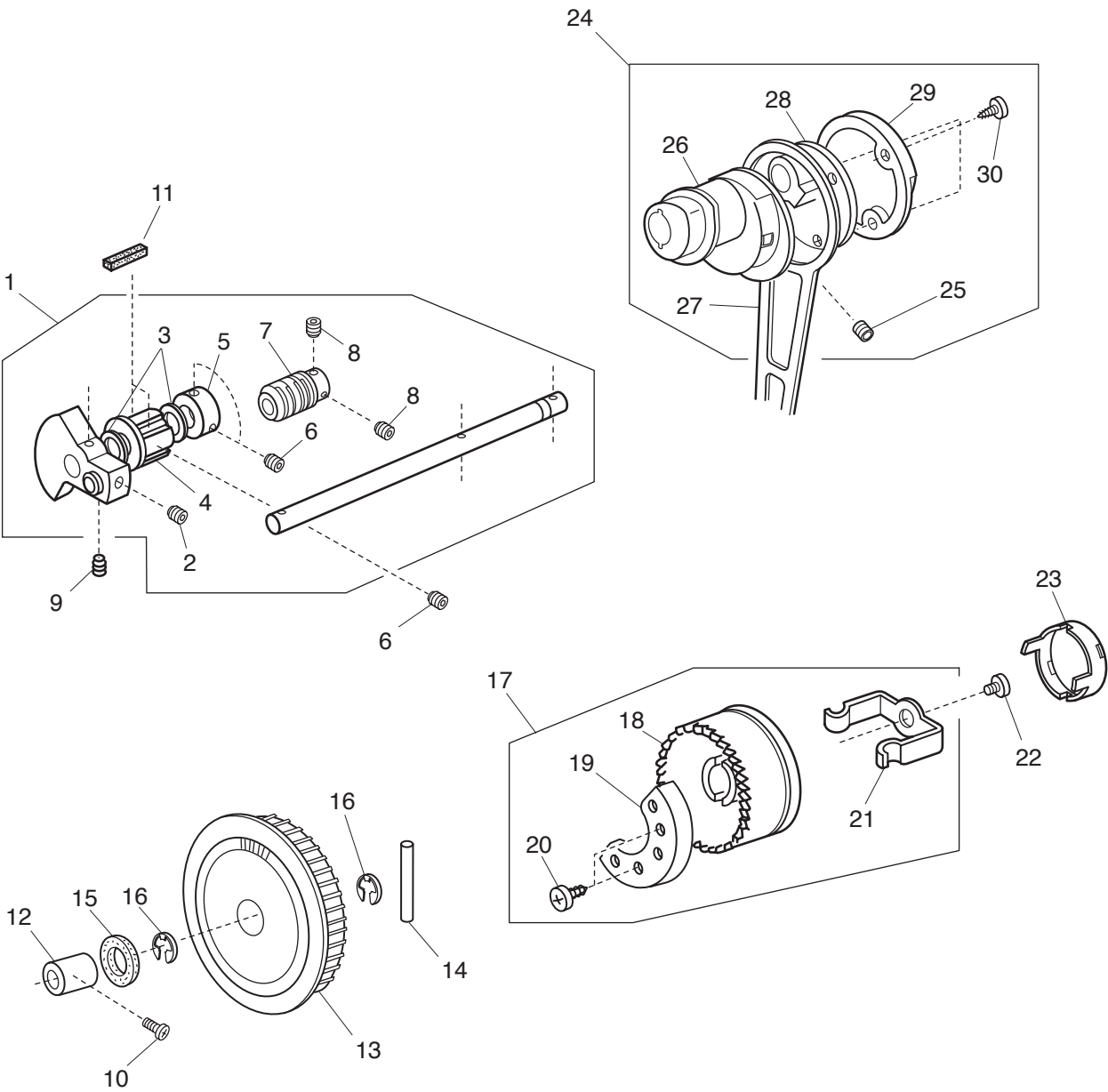
# PARTS LIST



## PARTS LIST

KEY NO.	PARTS NO.	DESCRIPTION
1	311609101	Needle bar supporter (unit)
2	743213002	Needle bar supporter
3	730503116	Needle bar (unit)
4	311502000	Needle bar connecting stud (unit)
5	311611003	Needle threader guide plate (unit)
6	311027006	Needle threader guide plate
7	311032004	Needle threader shaft plate
8	000101105	Setscrew 3x4
9	301034005	Needle threader shaft
10	000122906	Guide pin E-2x14-CH
11	734094007	Needle threader spring
12	000003508	Spring pin 2x8
13	639643009	Needle threader plate (unit)
14	311028007	Needle threader set plate
15	000111902	Hexagonal socket screw 3x4
16	000111304	Hexagonal socket screw 5x5
17	102408089	Needle
18	743216005	Needle bar supporter spring
19	310013109	Needle bar supporter pin
20	000001609	Snap ring E-5
21	735251007	Ring
22	000111005	Hexagonal socket screw 3x3
23	625506109	Thread take-up lever (unit)
24	647040108	Thread take-up lever pin
25	735504008	Needle bar crank pin (unit)
26	735119002	Zigzag rod
27	310041003	Eccentric plate
28	000078319	Setscrew 3x6

# PARTS LIST

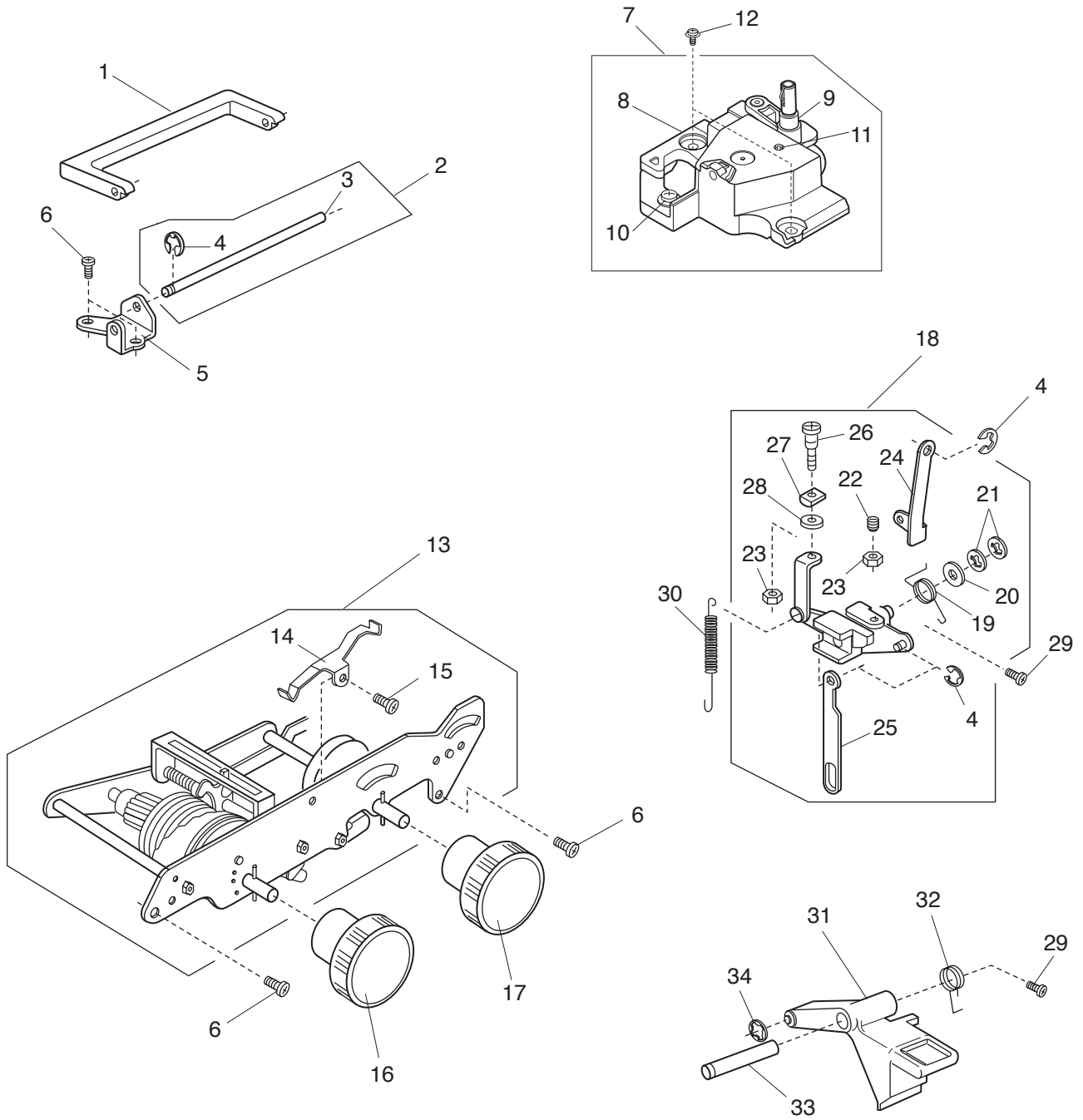


## PARTS LIST

KEY NO.	PARTS NO.	DESCRIPTION
1	304607406	Upper shaft (unit)
2	102073003	Setscrew
3	000036717	Thrust washer
4	732025001	Upper shaft front bushing
5	639095000	Ring
6	000111304	Hexagonal socket screw 5x5
7	755108000	Worm
8	000111201	Hexagonal socket screw 4x4
9	761052007	Setscrew
10	000172602	Setscrew 5x8
11	731312005	Felt
12	732003003	Upper shaft rear bushing
13	743019006	Belt wheel
14	000023803	Spring pin 40
15	743029009	Felt
16	000030205	Snap ring E-8
17	743630009	Handwheel (unit)
18	639097024	Handwheel
19	304050006	Balance weight
20	000107802	Setscrew 3x10 (B)
21	639113016	Clutch spring
22	000081005	Setscrew 4x8
23	650070509	Clutch cap
24	304609006	Crank rod (unit)
25	000110107	Hexagonal socket screw 5x5 (WP)
26	304042005	Feed cam
27	743011008	Crank rod
28	304044007	Crank cam
29	304043006	Crank cam plate
30	000161309	Setscrew 3x12 (B)



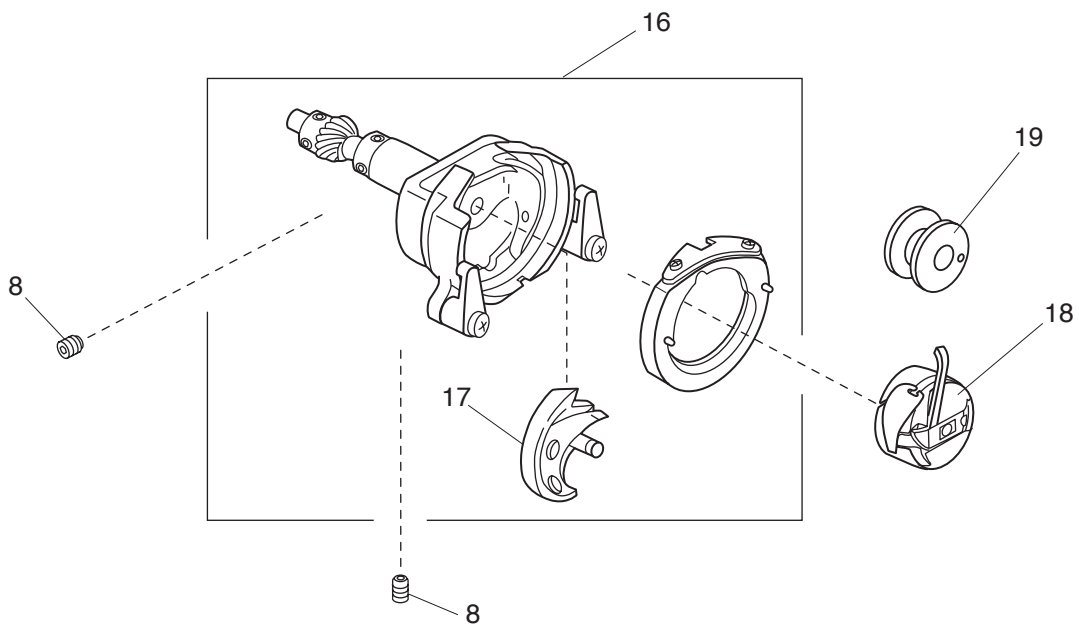
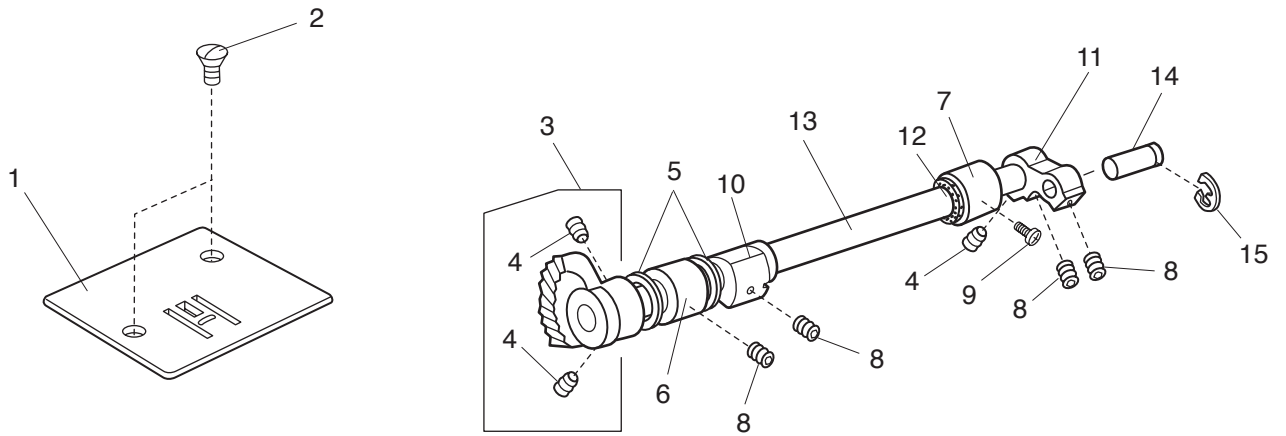
# PARTS LIST



## PARTS LIST

KEY NO.	PARTS NO.	DESCRIPTION
1	753017308	Handle
2	740624001	Carrying handle set pin (unit)
3	740011009	Handle shaft
4	000002105	Snap ring E-3
5	740010008	Handle supporter
6	000081005	Setscrew 4x8
7	311606005	Bobbin winder supporter (unit)
8	311011007	Bobbin winder base plate
9	311503001	Bobbin winder arm (unit)
10	000109103	Setscrew 4x12
11	740042009	Bobbin winder arm spring
12	000115607	Setscrew TP 4x8
13	740606100	Zigzag mechanism (unit)
14	737011009	Index spring
15	000103808	Setscrew 3x5
16	743243A10	Pattern indicator dial
17	743243A97	Stitch length indicator dial
18	736604105	Feed regulator (unit)
19	735077007	Feed regulating body spring
20	735073003	Plain washer
21	000013800	Snap ring CS-6
22	648010009	Setscrew
23	000160102	Adjustable lock nut 4
24	739020007	Feed regulating rod
25	745052007	Reverse link
26	735074004	SS adjusting screw
27	735076006	SS rod block
28	000071013	Washer 4
29	000172602	Setscrew 5x8
30	670100006	Feed regulator spring
31	743014001	R button
32	739063002	R button spring
33	736015000	R button shaft
34	000014007	Snap ring CS-4

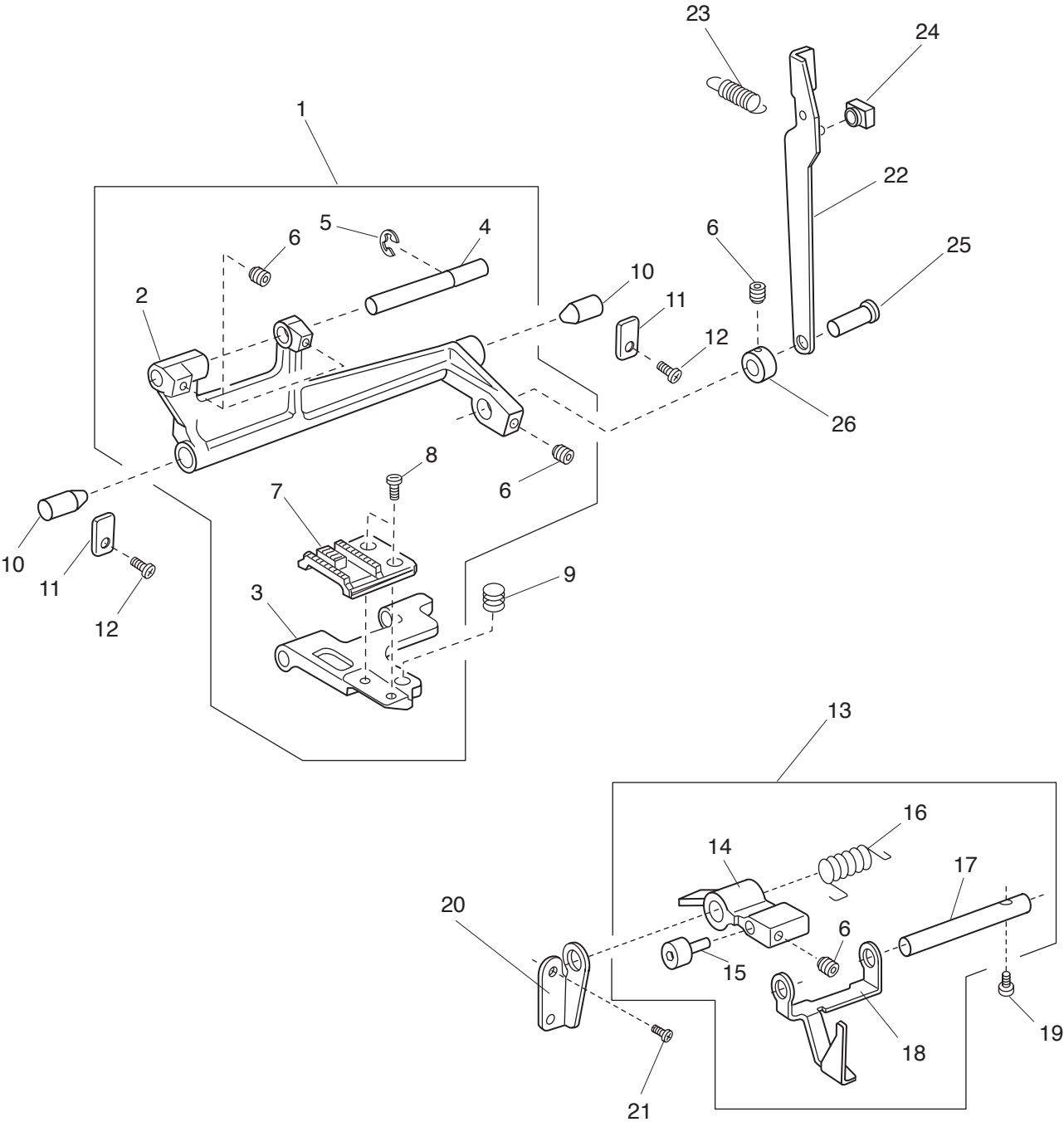
# PARTS LIST



## PARTS LIST

KEY NO.	PARTS NO.	DESCRIPTION
1	744004001	Needle plate
2	681009101	Setscrew
3	735950003	Lower shaft gear (unit)
4	000110107	Hexagonal socket screw 5x5 (WP)
5	000036201	Washer FT80-0.5
6	735233003	Bushing
7	735234004	Bushing
8	000111304	Hexagonal socket screw 5x5
9	000172602	Setscrew 5x8
10	735061101	Feed lifting cam
11	639036003	Lower shaft crank arm
12	822070003	Felt
13	735236006	Lower shaft
14	639037004	Pin
15	000001609	Snap ring E-5
16	735610101	Shuttle race body (unit)
17	532096007	Shuttle hook
18	647515006	Bobbin case (unit)
19	102261000	Bobbin

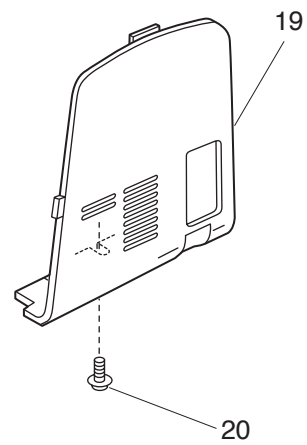
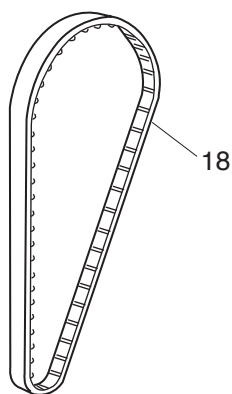
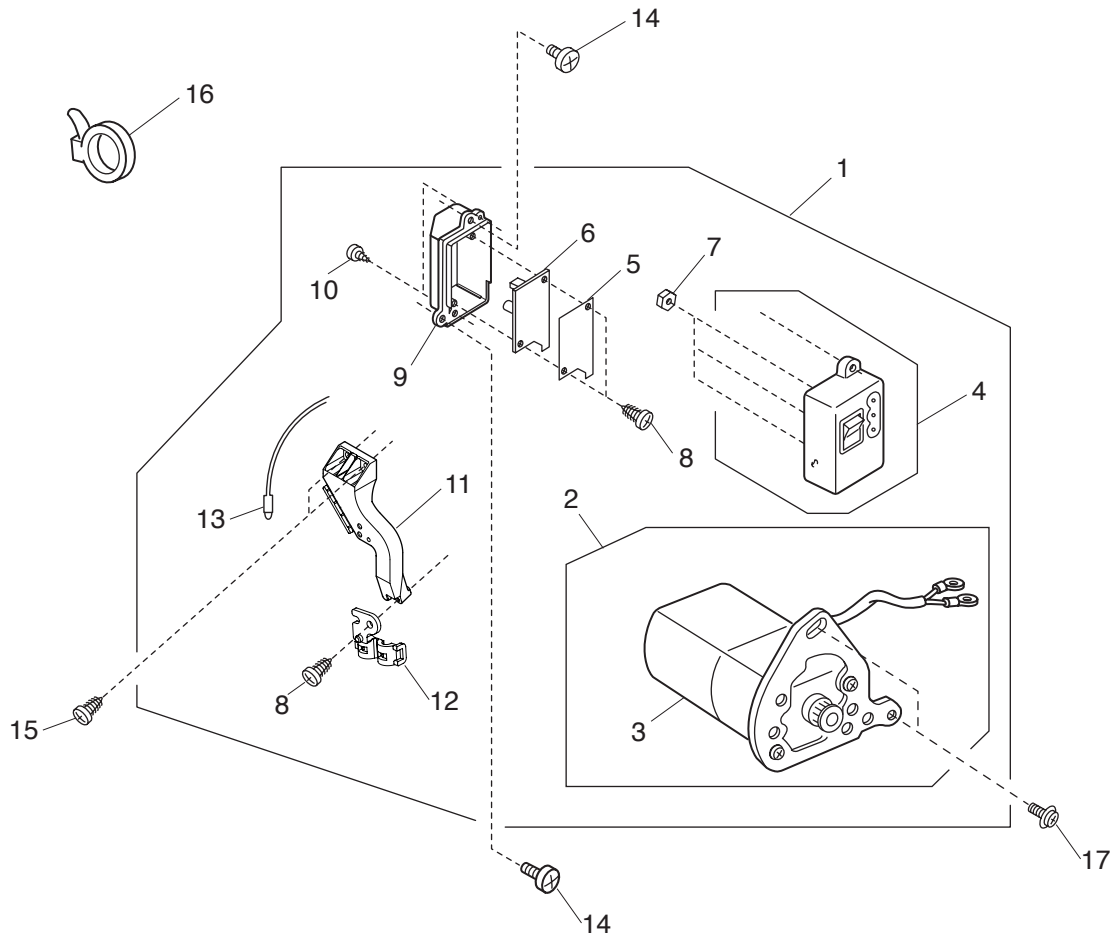
# PARTS LIST



## PARTS LIST

KEY NO.	PARTS NO.	DESCRIPTION
1	735612000	Feed rock shaft (unit)
2	735078008	Feed rock shaft
3	735079009	Feed bar
4	735080003	Feed bar shaft
5	000002507	Snap ring E-4
6	000111201	Hexagonal socket screw 4x4
7	735081004	Feed dog
8	735082005	Setscrew
9	735083006	Feed bar spring
10	735084007	Feed rock shaft center
11	735085008	Feed rock shaft center plate
12	000101404	Setscrew 4x6
13	301609018	Feed lifting arm (unit)
14	301027005	Feed lifting arm
15	739105007	Feed lifting pin
16	730061003	Feed lifting spring
17	735090006	Feed lifting shaft
18	740013001	Drop feed selecting plate
19	000101703	Setscrew 4x12
20	739022009	Feed lifting shaft holder
21	000081119	Setscrew 4x6
22	743012009	Feed rod
23	743013000	Feed rod spring
24	102141003	Feed regulator slide block
25	735071104	Feed rock shaft connecting pin
26	735276008	Ring

# PARTS LIST

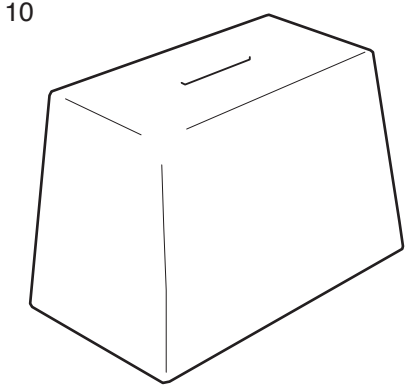
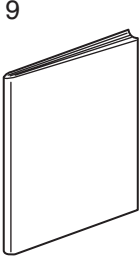
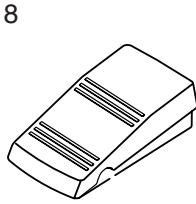
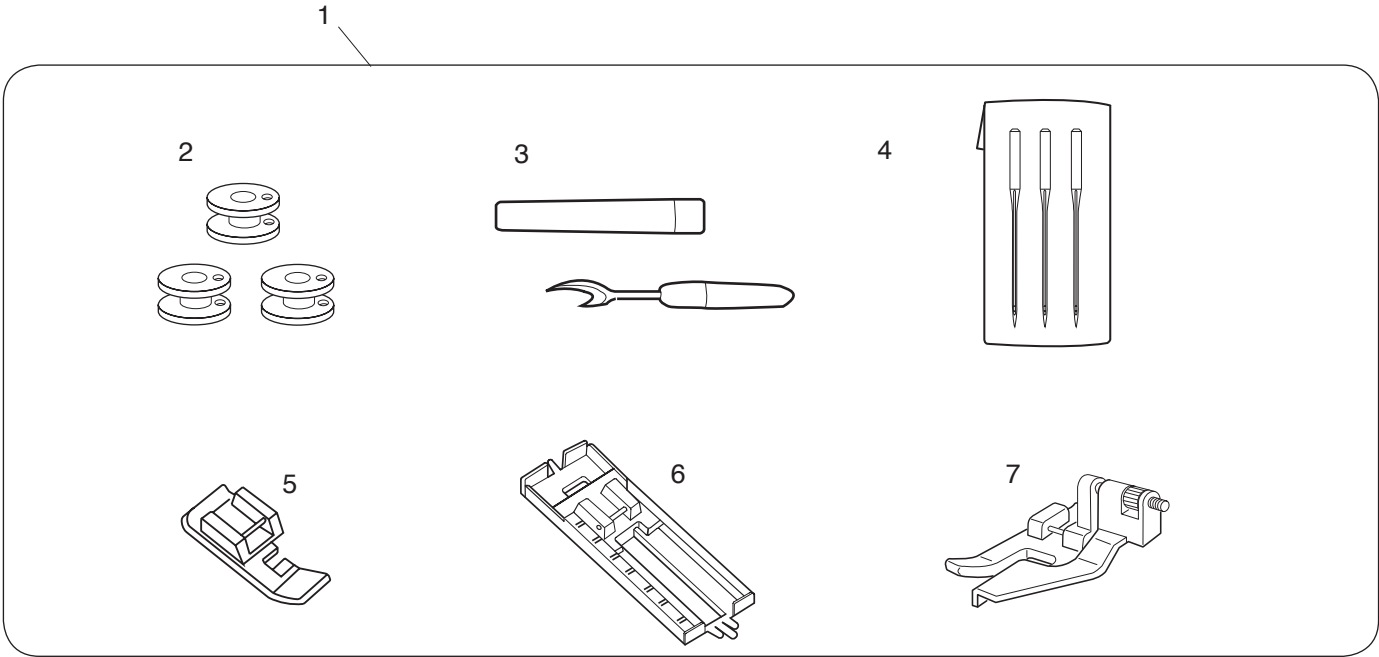


## PARTS LIST

KEY NO.	PARTS NO.	DESCRIPTION
1	311610301	Machine socket (whole unit)
2	743671024	Motor assembly (unit) including bracket
3	025601026	Motor with pulley
4	739503308	Machine socket (unit)
5	508134003	Insulating paper
6	508512102	Printed circuit board C (unit)
7	000060802	Nut 3-1-5.5
8	000120203	Setscrew 3x8 (B)
9	508133002	Machine socket cover
10	000107802	Setscrew 3x10 (B)
11	311029008	Face plate set plate
12	508143005	LED holder
13	508515105	LED (unit)
14	000103509	Setscrew 4x10
15	000081005	Setscrew 4x8
16	000053008	Cord binder
17	000115504	Setscrew TP 5x10
18	650166008	Motor timing belt
19	743017004	Belt cover
20	000115205	Setscrew TP 4x6



# PARTS LIST



## PARTS LIST

KEY NO.	PARTS NO.	DESCRIPTION
1	743870380	Accessory set
2	102261000	Bobbin
3	647808009	Seam ripper
4	639804000	Needle set
5	611406002	Zipper foot
6	611413002	Buttonhole foot
7	611411000	Blind foot
8	043970106	Foot control
9	743803669	Instruction book
10	743812100	Cover