

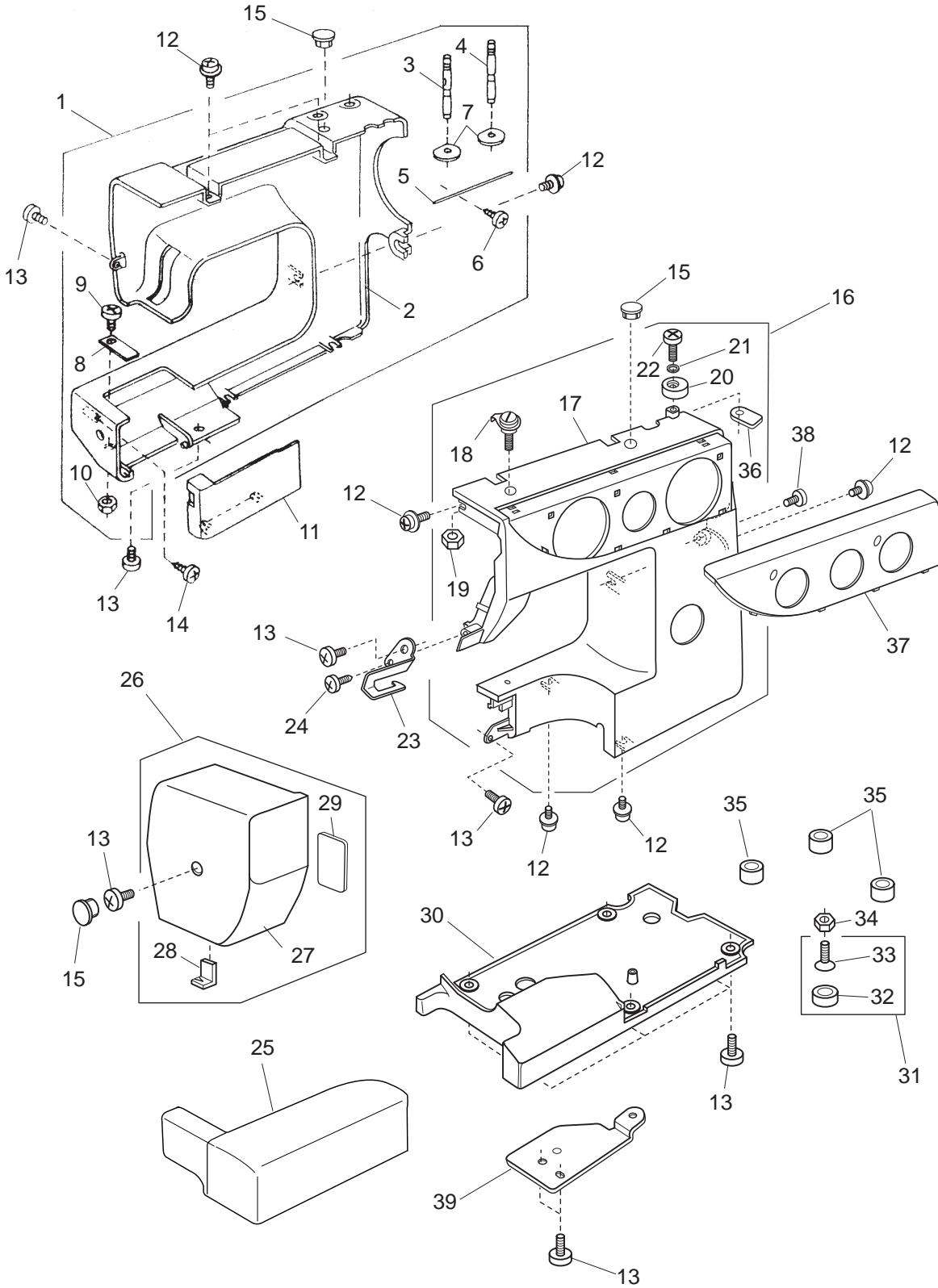
# **PFAFF**

**hobby**

## **1022 - 1042**

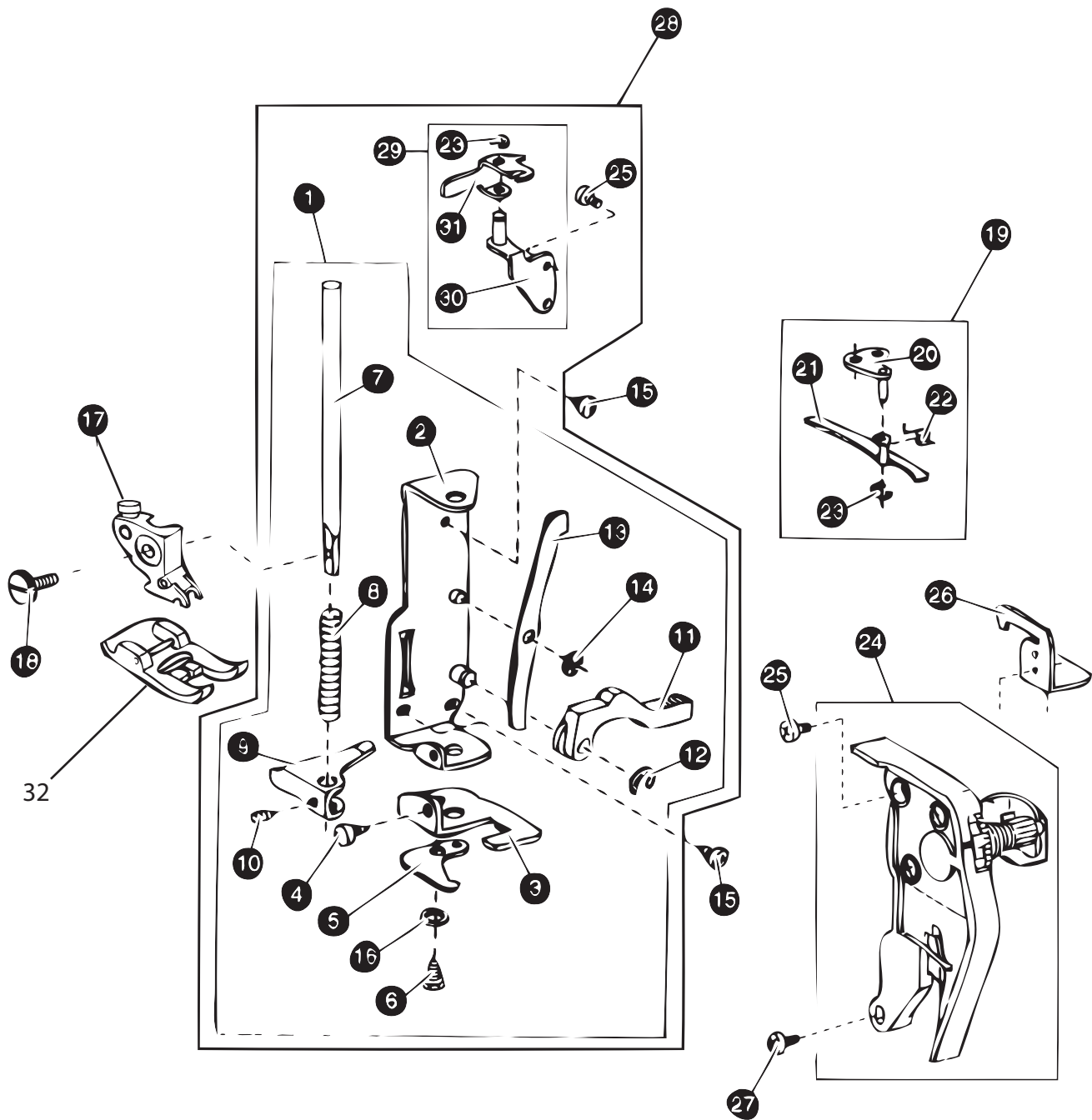
### **Parts List**

# PARTS LIST



# PARTS LIST

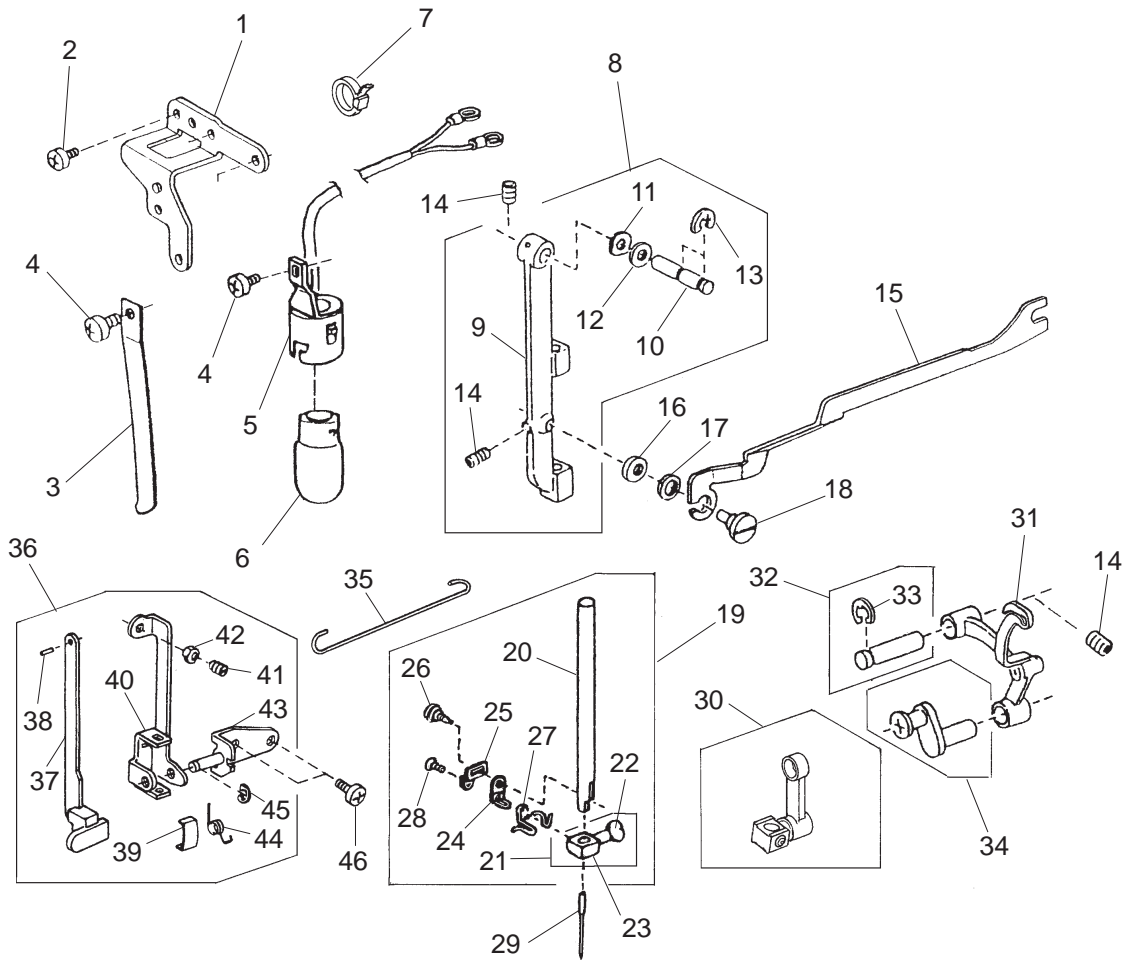
1	9874560110000	REAR COVER UNIT
2	9874500100100	REAR COVER
3	9865230200400	SPOOL PIN
4	9865220500600	SPOOL PIN
5	9873600700900	SPOOL PIN SPRING
6	9800007631700	TAPPING SCREW 3X10
7	9874503800700	SPOOL PIN SPRING BASE
8	9873000600000	SPRING
9	9800010140400	SET SCREW 4X6
10	9800006120500	NUT
11	9874500200200	BED COVER PLATE
12	9800011520500	TP SCREW 4X6
13	9800008100500	SET SCREW 4X8
14	9800012190500	TAPPING SCREW 4X12B
15	9874503300200	CAP
16	9874560560900	FRONT COVER UNIT (MODEL1042)
	9874560550600	FRONT COVER UNIT (MODEL1032)
	9874560540300	FRONT COVER UNIT (MODEL1022)
17	9874503614200	FRONT COVER (MODEL 1042)
	9874503613100	FRONT COVER (MODEL 1032)
	9874503612000	FRONT COVER (MODEL 1022)
18	9873050101100	THREAD GUIDE PLATE UNIT
19	9800016010200	ADJUSTABLE LOCK NUT 4
20	9873501630700	BOBBIN WINDER STOPPER
21	9800007101300	WASHER
22	9800010310700	SET SCREW 4X14
23	9874503100000	THREAD GUIDE PLATE
24	9800010730700	TAPPING SCREW 3X8B
25	9874550100600	EXTENSION TABLE
26	9874560202000	FACE COVER UNIT
27	9874500811200	FACE COVER
28	9884060200600	THREAD CUTTER UNIT
29	9872402500600	REFLEX STICKER
30	9874500300300	BASE PLATE
31	9873561620000	RUBBER BASE UNIT
32	9873500200100	RUBBER BASE
33	9800009790100	FLAT SCREW M5X16
34	9800006131900	NUT
35	9873906400300	BED RUBBER BASE
36	9874401400400	NUT
37	9874503740800	PANEL (MODEL1042)
	9874503750100	PANEL (MODEL1032)
	9874503760400	PANEL (MODEL1022)
38	9800010350900	SET SCREW 4X10
39	9874500400400	BASE SET PLATE



# PARTS LIST

1	9873560430800	PRESSER BAR BASE PLATE UNIT
2	9873502300800	PRESSER BAR BASE PLATE
3	9873502400900	NEEDLE DROP ADJUSTING PLATE
4	9800010140400	SET SCREW 4X6
5	9873502500000	NEEDLE BAR SUPPORTER STOPPER
6	9800013830700	BOLT 4X8
7	9874503400300	PRESSER BAR
8	9873502700200	PRESSER BAR SPRING
9	9873502800300	PRESSER BAR BRACKET
10	9800011150000	HEXAGON SOCKET SCREW 4X8
11	9873502910700	PRESSER FOOT LIFTER
12	9800000160900	SNAP RING E-5
13	9873503000800	TENSION RELEASE LEVER
14	9800001390300	SNAP RING CS-5
15	9800008100500	SET SCREW 4X8
16	9800007050600	WASHER
17	9874550200700	PRESSER FOOT HOLDER
18	9874503500400	THUMB SCREW
19	9873960500200	TENSION RELEASE ARM UNIT
20	9873901700100	TENSION RELEASE ARM BASE
21	9873901800200	TENSION RELEASE ARM
22	9873901900300	TENSION RELEASE SPRING
23	9800000210500	SNAP RING E-3
24	9874550400900	TENSION ASSEMBLY
25	9800010380800	SET SCREW 3X5
26	9873901600000	TOP COVER THREAD GUIDE
27	9800010170300	SET SCREW 4X12
28	9874062040900	PRESSER BAR BASE PLATE UNIT (MODEL 1042 ONLY)
29	9874061300700	BH LEVER BASE UNIT (MODEL 1042 ONLY)
30	9874005000000	BH LEVER BASE (MODEL 1042 ONLY)
31	9874005100100	BH ADJUSTING LEVER (MODEL 1042 ONLY)
32	8202580-96	ZIG-ZAG FOOT

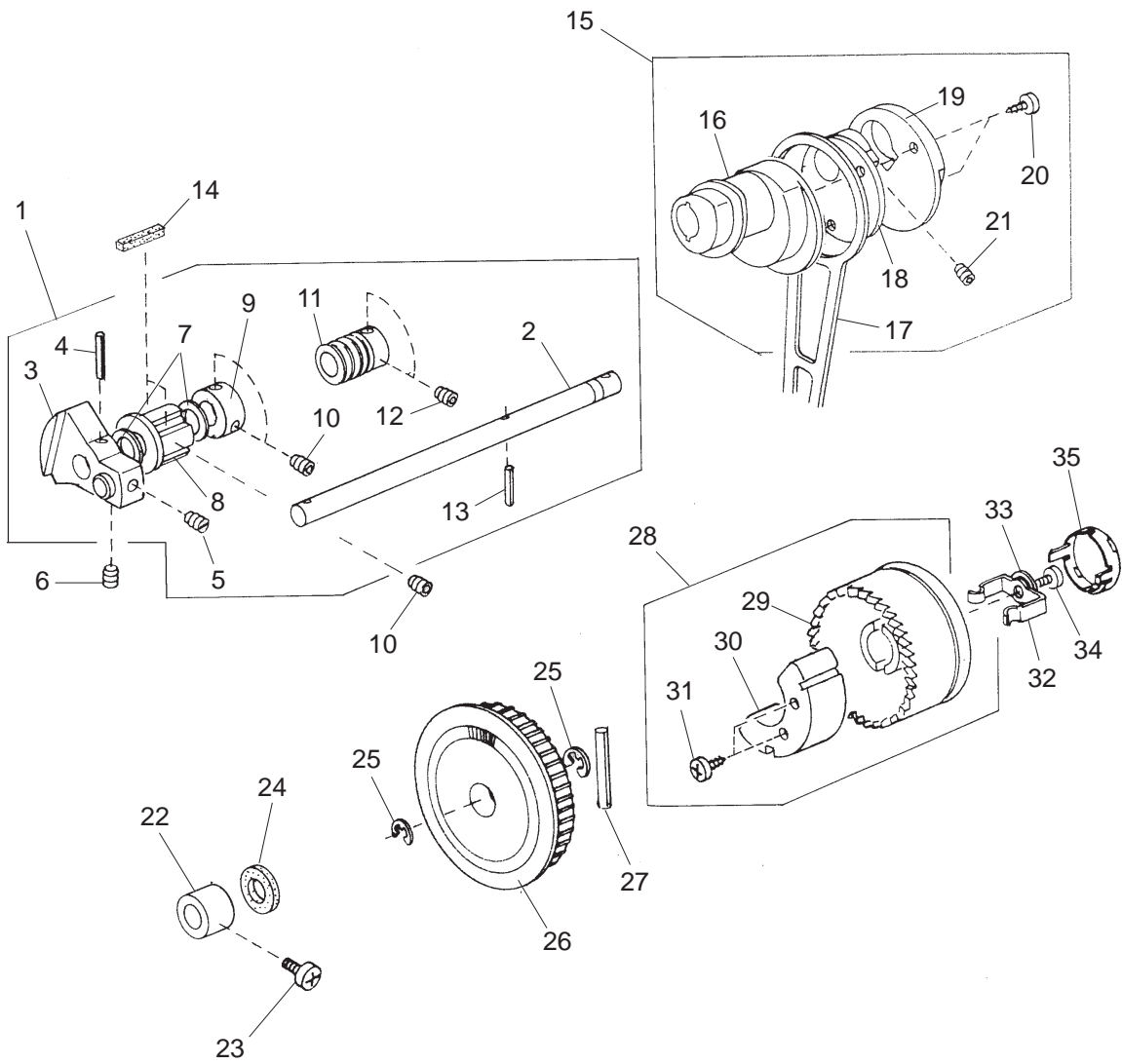
# PARTS LIST



# PARTS LIST

1	9874000701300	LAMP SOCKET SET PLATE
2	9800008100500	SET SCREW 4X8
3	9873002400400	NEEDLE BAR SUPPORTER SPRING
4	9800010140400	SET SCREW 4X6
5	9864751301500	LAMP SOCKET UNIT (NORTH AMERICA)
	9865568100900	LAMP SOCKET UNIT (EUROPE/AUSTRALIA)
6	9800000980300	LAMP 120V 15W (NORTH AMERICA)
	9800000900900	LAMP 240V 15W (EUROPE/AUSTRALIA)
7	9800005370900	CORD TIE BAND
8	9873560510300	NEEDLE BAR SUPPORTER UNIT
9	9873503200000	NEEDLE BAR SUPPORTER
10	9873002200200	NEEDLE BAR SUPPORTER PIN
11	9867302200200	WAVE WASHER
12	9800007060900	PLAIN WASHER
13	9800000250700	SNAP RING E-4
14	9800011130400	HEXAGON SOCKET SCREW 5X5
15	9873511900200	ZIGZAG ROD
16	9867025800000	PLAIN WASHER
17	9867804400500	PLAIN WASHER
18	9867808400700	ECCENTRIC PIN
19	9873050311600	NEEDLE BAR UNIT
20	9855308501900	NEEDLE BAR
21	9880150600800	NEEDLE CLAMP UNIT
22	9810204700800	NEEDLE CLAMP SCREW
23	9880102400700	NEEDLE CLAMP
24	9873002500500	NEEDLE GUIDE PLATE
25	9873210500600	NEEDLE CLAMP PLATE
26	9880210800900	HINGE SCREW
27	9868004301200	NEEDLE BAR THREAD GUIDE
28	9867004700400	FLAT SCREW
29	9810240808900	NEEDLE HA1-14
30	9868050400500	NEEDLE BAR CONNECTING STUD UNIT
31	9862550610900	THREAD TAKE-UP LEVER UNIT
32	9873151100600	THREAD TAKE-UP LEVER PIN UNIT
33	9800000280600	SNAP RING E-6
34	9873550400800	NEEDLE BAR CRANK PIN UNIT
35	9874005200200	BH STEP UP ROD
36	9874061700100	BH LEVER UNIT (MODEL1042 ONLY)
37	9873562910900	BH LEVER ( " )
38	9800002300900	SPRING PIN 1.6X4 ( " )
39	9875302700800	FRICTION SPRING ( " )
40	9874004700400	BH LEVER SUPPORTER ( " )
41	9800011330600	SET SCREW 4X10 ( " )
42	9800016010200	ADJUSTABLE LOCK NUT 4 ( " )
43	9874004800500	BH LEVER BASE PLATE ( " )
44	9874004900600	BH LEVER SPRING ( " )
45	9800000210500	SNAP RING E-3 ( " )
46	9800010380800	SET SCREW 3X5 ( " )

# PARTS LIST

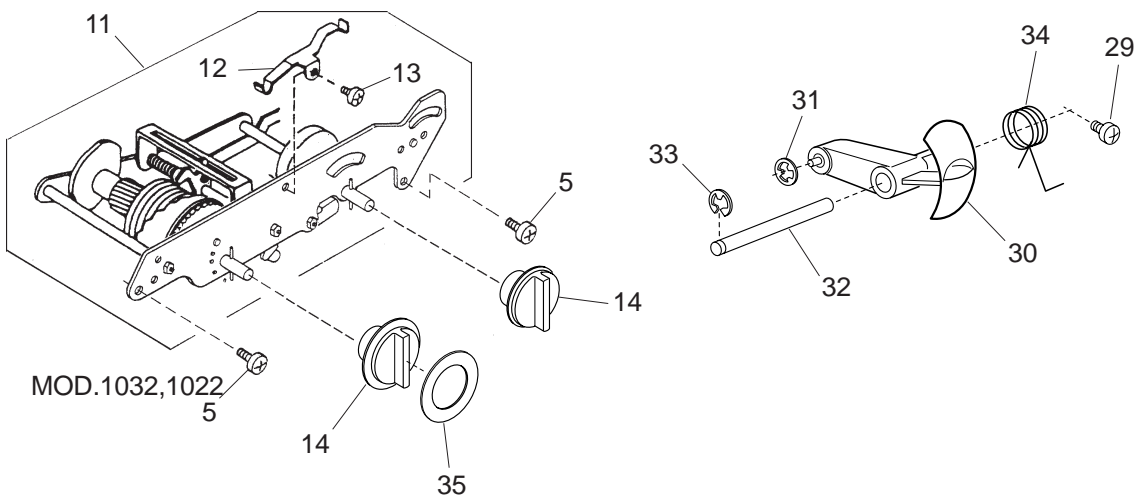
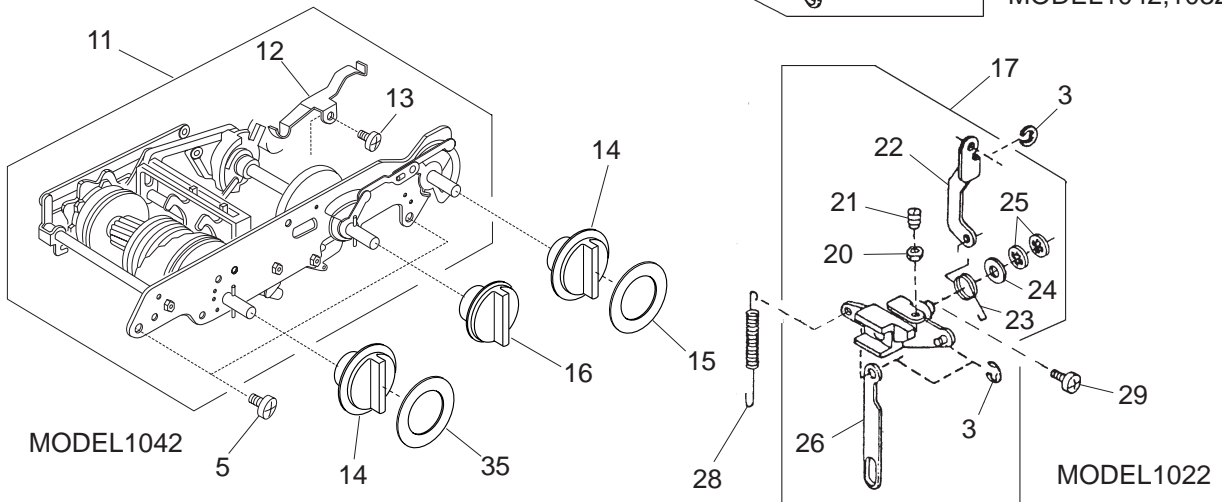
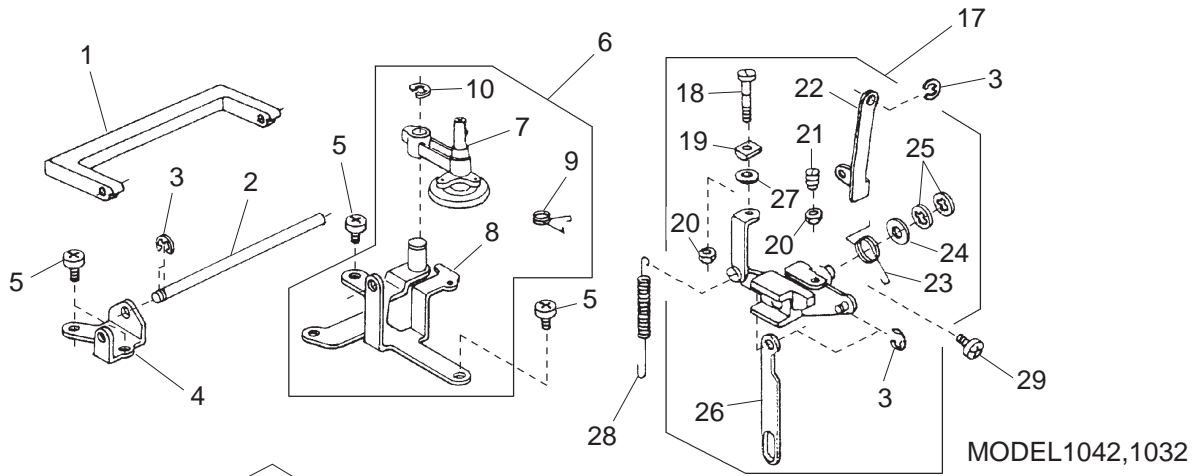




# PARTS LIST

1	9874360310600	UPPER SHAFT UNIT (MODEL1042)
	9874360300300	UPPER SHAFT UNIT (MODEL1022, 1032)
2	9874300700100	UPPER SHAFT
3	9874300800200	TAKE-UP LEVER CRANK
4	9800002170800	KNOCK PIN
5	9810207300300	SET SCREW
6	9876105200700	SET SCREW
7	9800003671700	THRUST WASHER
8	9873202500100	UPPER SHAFT FRONT BUSHING
9	9863909500000	RING
10	9800011130400	HEXAGON SOCKET SCREW 5X5
11	9874901100600	WORM (MODEL1042)
	9875114600800	WORM (MODEL1022, 1032)
12	9855324500800	HEXAGON SOCKET SCREW 4X4
13	9800000360100	SPRING PIN
14	9873131200500	FELT
15	9874360400400	CRANK ROD UNIT
16	9874301000700	FEED CAM
17	9874301100800	CRANK ROD
18	9863903300000	CRANK CAM
19	9863910201200	CRANK CAM PLATE
20	9800015050100	TAPPING SCREW 3X14B
21	9800011010700	HEXAGON SOCKET SCREW 5X5
22	9873200300300	UPPER SHAFT REAR BUSHING
23	9800017260200	SET SCREW 5X8
24	9874302900900	FELT
25	9800003020500	SNAP RING E-8
26	9874301900600	BELT WHEEL
27	9800002380300	SPRING PIN
28	9874560900500	HANDWHEEL UNIT
29	9874501200500	HANDWHEEL
30	9874303000300	BALANCE WEIGHT
31	9800012140000	TAPPING SCREW 3X14B
32	9863911301600	CLUTCH SPRING
33	9800007101300	WASHER
34	9800008100500	SET SCREW
35	9874501300600	CLUTCH CAP

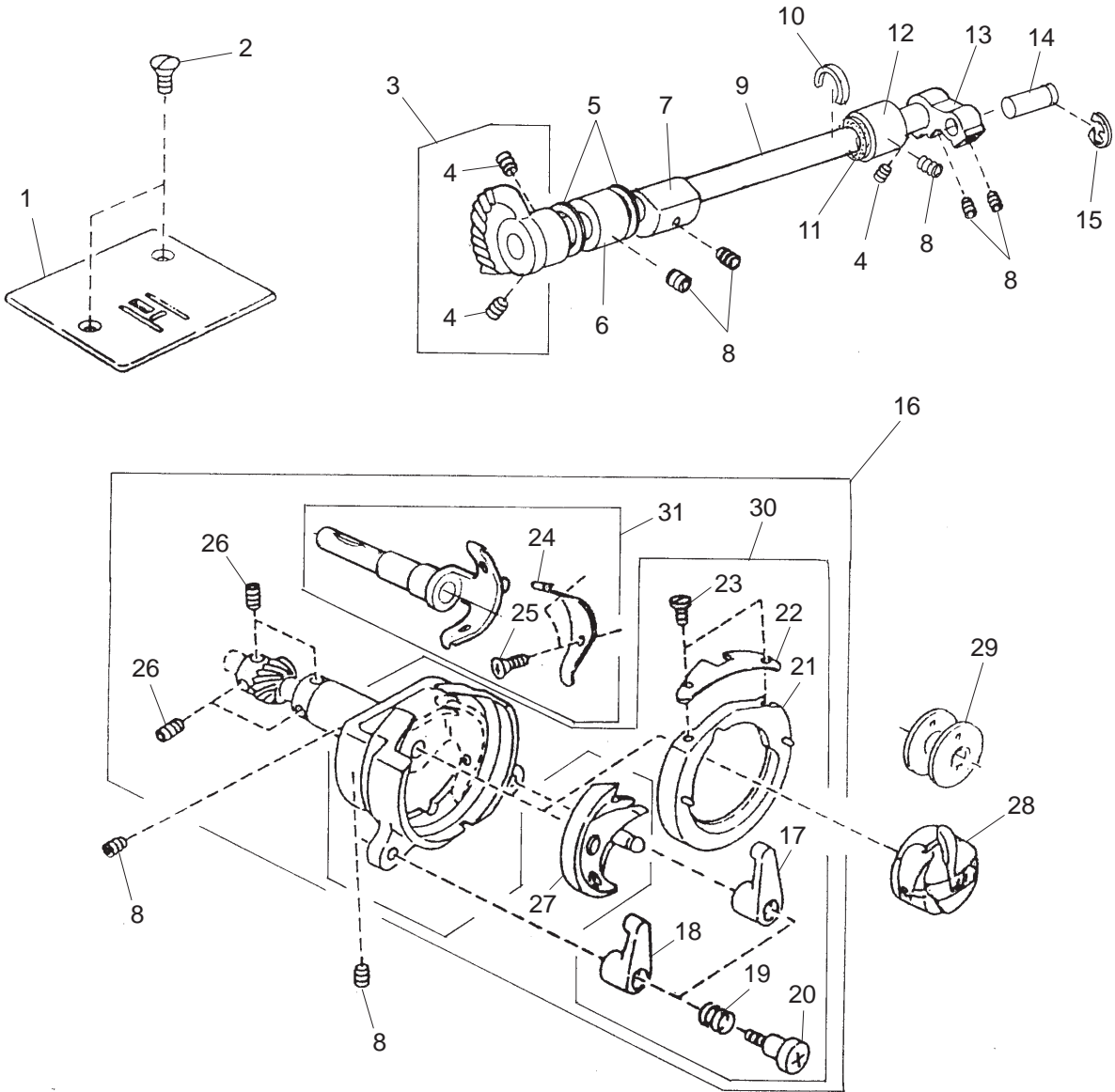
# PARTS LIST



# PARTS LIST

1	9874500700700	HANDLE
2	9874001100900	HANDLE SHAFT
3	9800000210500	SNAP RING E-3
4	9874001000800	HANDLE SUPPORTER
5	9800008100500	SET SCREW 4X8
6	9874060220900	BOBBIN WINDER BASE PLATE UNIT
7	9873550100500	BOBBIN WINDER ARM UNIT
8	9874000310100	BOBBIN WINDER BASE PLATE
9	9874004200900	BOBBIN WINDER ARM SPRING
10	9800000280600	SNAP RING E-6
11	9874560400000	ZIGZAG MECHANISM UNIT (MODEL1042)
	9874560600200	ZIGZAG MECHANISM UNIT (MODEL1032)
	9830160710800	ZIGZAG MECHANISM UNIT (MODEL1022)
12	9873701100900	INDEX SPRING
13	9800010380800	SET SCREW 3X5
14	9874502400000	DIAL
15	9874504000200	STITCH INDICATOR PLATE (MODEL1042 ONLY)
16	9874502810700	STITCH LENGTH DIAL
17	9873660410500	FEED REGULATOR UNIT (MODEL1042,1032)
	9874261100100	FEED REGULATOR UNIT (MODEL1022)
18	9873507400400	SS ADJUSTING SCREW (MODEL1042,1032)
19	9873507600600	SS ROD BLOCK (MODEL1042,1032)
20	9800016010200	ADJUSTABLE LOCK NUT 4
21	9864801000900	SET SCREW
22	9873902000700	FEED REGULATING ROD
23	9873507700700	FEED REGULATING BODY SPRING
24	9873507300300	PLAIN WASHER
25	9800001380000	SNAP RING CS-6
26	9874505200700	REVERSE LINK
27	9800007101300	WASHER (MODEL1042,1032)
28	9867010000600	FEED REGULATOR SPRING
29	9800101301000	SET SCREW 5X10
30	9874501400700	R BUTTON
31	9800001400700	SNAP RING CS-4
32	9873601500000	R BUTTON SHAFT
33	9800000160900	SNAP RING E-5
34	9873906300200	R BUTTON SPRING
35	9874503900800	PATTERN INDICATOR PLATE (MODEL1042)
	9874504300500	PATTERN INDICATOR PLATE (MODEL1032)
	9874505500000	PATTERN INDICATOR PLATE (MODEL1022)

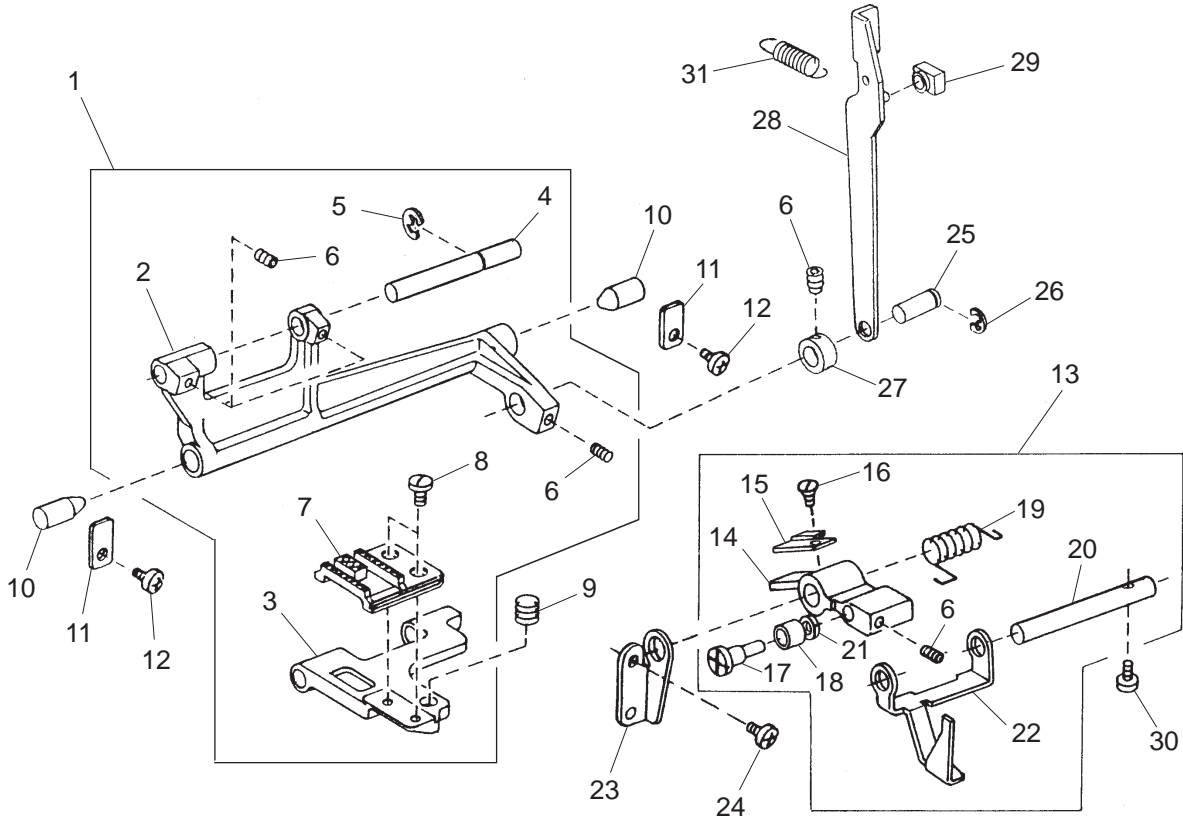
# PARTS LIST



# PARTS LIST

1	9874400400100	NEEDLE PLATE
2	9868100910100	SET SCREW
3	9873595000300	LOWER SHAFT GEAR UNIT
4	9800011010700	HEXAGON SOCKET SCREW 5X5WP
5	9800003620100	WASHER 8-0.5
6	9873523300300	BUSHING
7	9873506100800	FEED LIFTING CAM
8	9800011130400	HEXAGON SOCKET SCREW 5X5
9	9873523600600	LOWER SHAFT
10	9873523900900	FELT HOLDER
11	9882207000300	FELT
12	9873523400400	BUSHING
13	9863903600300	LOWER SHAFT CRANK ARM
14	9863903700400	PIN
15	9800000160900	SNAP RING E-5
16	9873561010100	SHUTTLE RACE BODY UNIT
17	9860506500600	SHUTTLE RACE RING CLASP (RIGHT)
18	9860506600700	SHUTTLE RACE RING CLASP (LEFT)
19	9863910800700	SHUTTLE RACE RING CLASP SPRING
20	9867329000300	HINGE SCREW
21	9855316800600	SHUTTLE RACE RING
22	9860180100000	SHUTTLE RACE SPRING
23	9810210000000	SET SCREW
24	9867028600700	SHUTTLE DRIVER SPRING
25	9810220200300	PLAIN SCREW
26	9855324500800	HEXAGON SOCKET SCREW
27	9853209600700	SHUTTLE HOOK
28	9864751500600	BOBBIN CASE UNIT
29	9810226100000	BOBBIN
30	9873550810500	SHUTTLE RACE BODY UNIT
31	9873550900300	DRIVER BODY UNIT

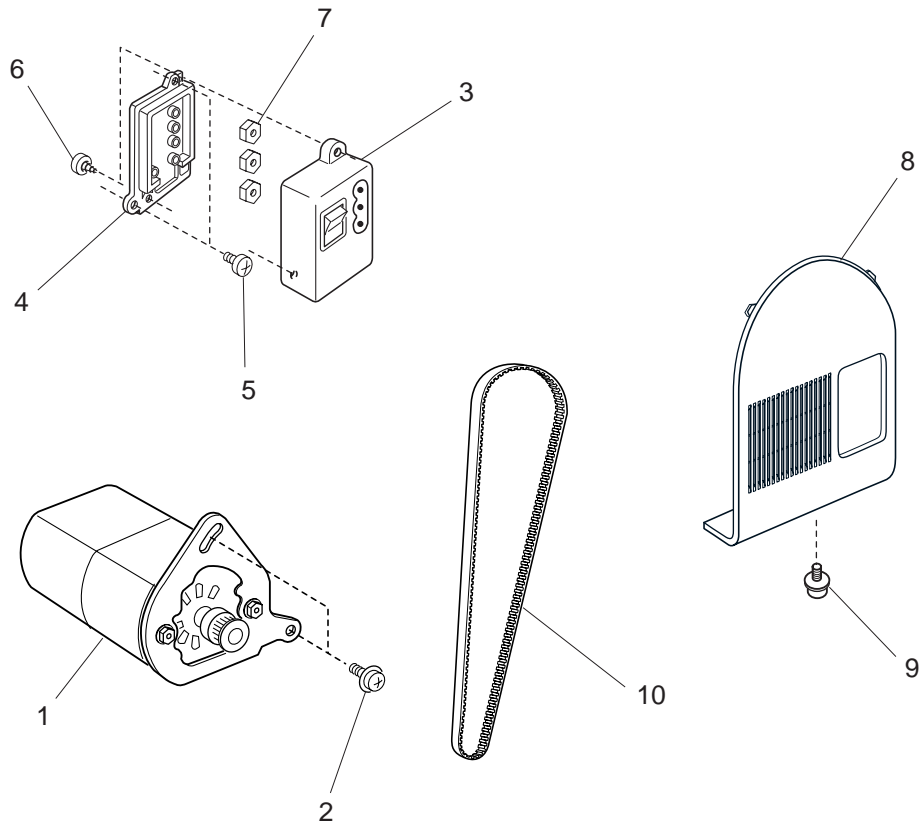
# PARTS LIST



# PARTS LIST

1	9873561200000	FEED ROCK SHAFT UNIT
2	9873507800800	FEED ROCK SHAFT
3	9873507900900	FEED BAR
4	9873508000300	FEED BAR SHAFT
5	9800000250700	SNAP RING E-4
6	9800011120100	HEXAGON SOCKET SCREW
7	9873508100400	FEED DOG
8	9873508200500	SET SCREW
9	9873508300600	FEED BAR SPRING
10	9873508400700	FEED ROCK SHAFT CENTER
11	9873508500800	FEED ROCK SHAFT CENTER PLATE
12	9800010140400	SET SCREW 4X6
13	9874060500600	FEED LIFTING ARM UNIT
14	9873508600900	FEED LIFTING ARM
15	9873006200400	SLIDING PLATE
16	9836503200100	SET SCREW
17	9873508700000	FEED LIFTING PIN
18	9873508800100	FEED LIFTING ROLLER
19	9873006100300	FEED LIFTING SPRING
20	9873509000600	FEED LIFTING SHAFT
21	9867025800000	WASHER
22	9874001300100	DROP FEED SELECTING PLATE
23	9873902200900	FEED LIFTING SHAFT HOLDER
24	9800008111900	SET SCREW 4X6
25	9873507100100	FEED ROCK SHAFT CONNECTING PIN
26	9800000280600	SNAP RING E-6
27	9873527600800	RING
28	9874301200900	FEED ROD
29	9810214100300	FEED REGULATOR SLIDE BLOCK
30	9800009720000	SET SCREW 4X12
31	9874301300000	FEED ROD SPRING

# PARTS LIST

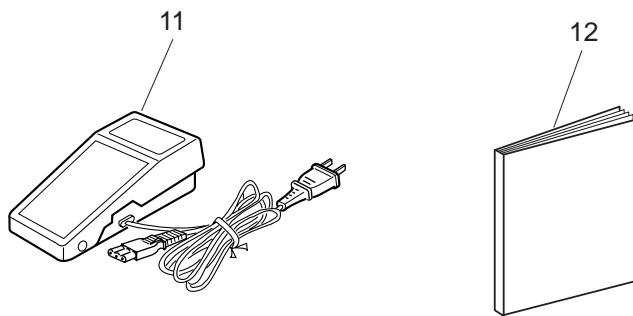
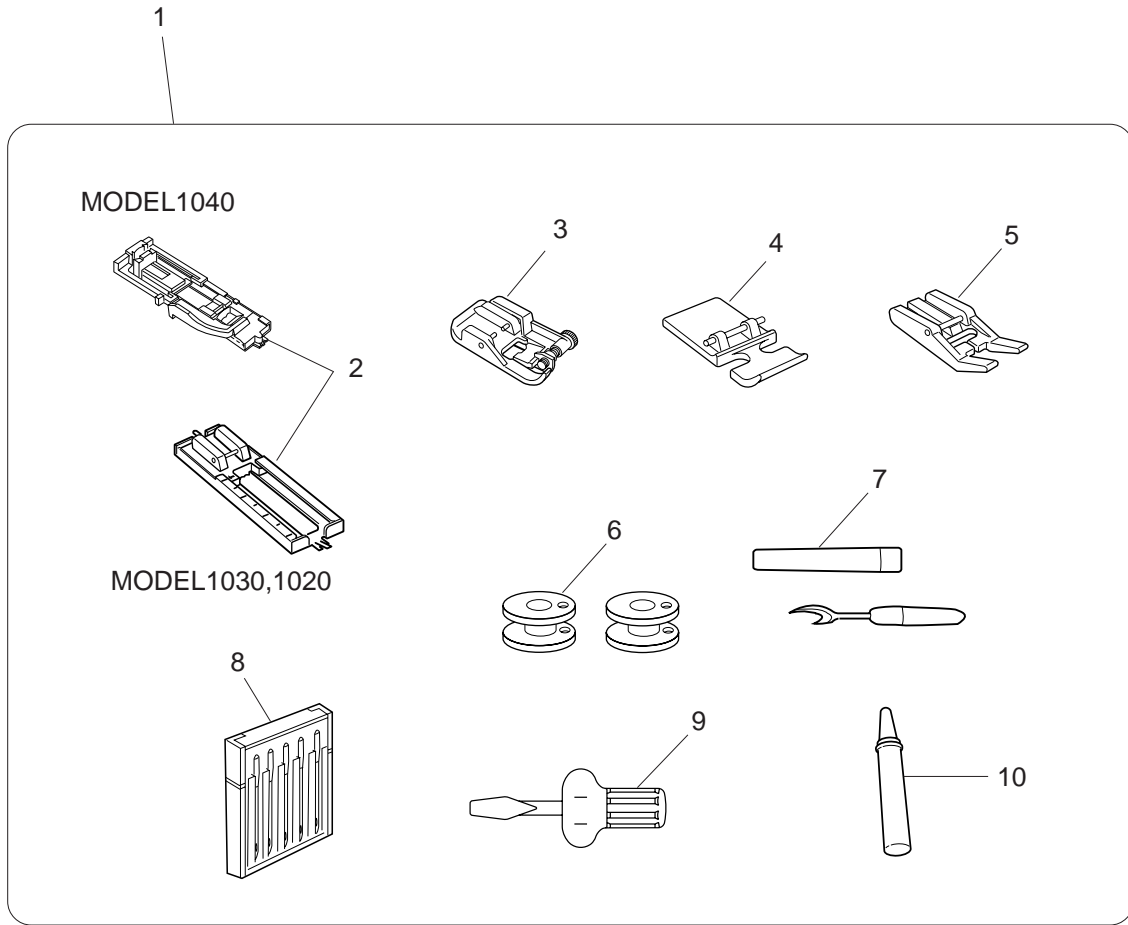




## PARTS LIST

1	9874361200500	MOTOR (NORTH AMERICA)
	9874362502300	MOTOR (AUSTRALIA)
	9874362504500	MOTOR (EUROPE) FOR 1042
	9874361100400	MOTOR (EUROPE) FOR 1022/1032
2	9800020120900	SET SCREW 5X12
3	9873950520700	MACHINE SOCKET UNIT (N. AMERICA)
	9873950310200	MACHINE SOCKET UNIT (EUROPE/AUST.)
4	9873903700700	MACHINE SOCKET COVER
5	9800010350900	SET SCREW 4X10
6	9800010780200	SET SCREW 3X10
7	9800006080200	NUT
8	9874503210400	BELT COVER
9	9800011520500	SET SCREW 4X6
10	9865016600800	MOTOR TIMING BELT

# PARTS LIST



# PARTS LIST

1	9874587000900	ACCESSORY SET (MODEL1042)
	9874587010200	ACCESSORY SET (MODEL1032,1022)
2	9874580100900	AUTOMATIC BUTTONHOLE FOOT (MODEL1042)
	9874580300100	AUTOMATIC BUTTONHOLE FOOT (MODEL1032,1022)
3	9874580600400	BLIND HEM STITCH FOOT
4	9874580500300	ZIPPER FOOT
5	9874580400200	SATIN STITCH FOOT (MODEL1040 ONLY)
6	9810226100000	BOBBIN
7	9864780800900	BUTTONHOLE OPENER
8	9854040102600	NEEDLE SET
9	9882083200500	SCREW DRIVER
10	9874181400300	OIL
11	9803387010400	FOOT CONTROL (NORTH AMERICA)
	C-2014	FOOT CONTROL (AUSTRALIA)
	C-2037-1	FOOT CONTROL (EUROPE) FOR 1042
	9804287030800	FOOT CONTROL (EUROPE) FOR 1022/1032
12	9874580000800	INSTRUCTION BOOK (ENGLISH)